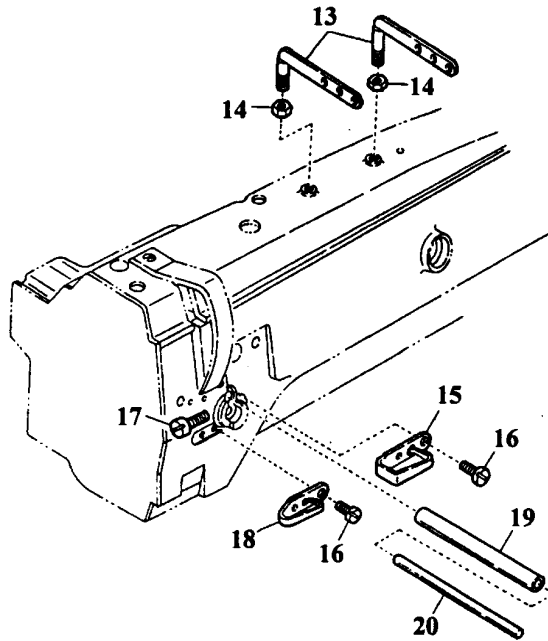
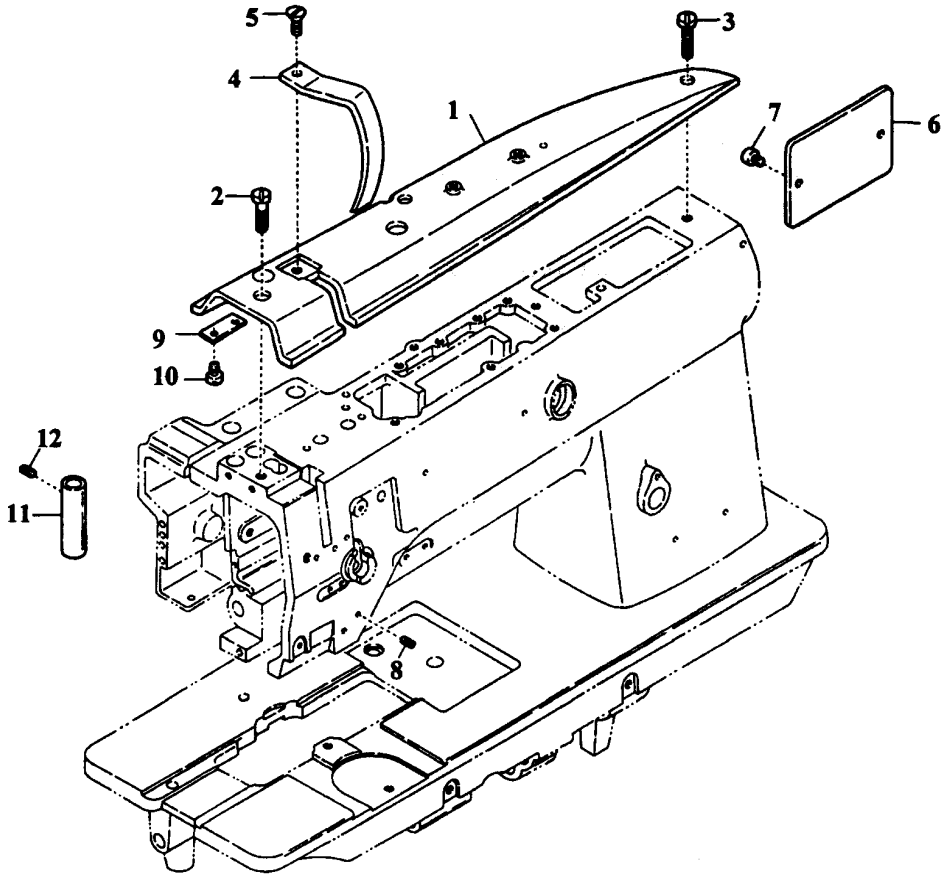


TABLE OF CONTENTS

MACHINE BODY AND THREADING MECHANISM	3-2
UPPER SHAFT & NEEDLE BAR ROCKING MECH.	3-4
LOWER SHAFT & ROTARY HOOK MECHANISM	3-6
KNIFE MECHANISM	3-8
LUBRICATION	3-10
THREAD STAND	3-12
TOP THREAD TENSION ASSEMBLY	3-14
BOBBIN THREAD MONITOR	3-16
PATCH GUIDE MECHANISM	3-18
DART STRETCHER	3-20
TENSION RELEASE, LOCATING LIGHT PARTS	3-22
HINGE PARTS	3-24
FRAME AND COVERS	3-26
TABLE TOP AND ASSOCIATED PARTS	3-28
CENTER KNIFE, UPPER/LOWER THREAD TRIMMING	3-30
TAB KNIFE SUPPORT	3-32
TAB KNIFE DRIVE	3-34
CARRIAGE ASSEMBLY	3-36
CLAMPING & FOLDING	3-38
QUICK CHANGE KIT	3-40
CARRIAGE DRIVE	3-42
FOOT TREADLE PARTS	3-44
CONTROL PANEL	3-46
MAIN POWER SUPPLY & DRIVE MOTOR	3-48
PNEUMATIC PARTS	3-50
TOOLS, SPARE PARTS	3-52
NEEDLE THREAD MONITOR (EXTRA PARTS)	3-54
TROUSER PANEL STACKER	3-56
WORK REMOVER	3-58
TROUSER AIR EJECTOR	3-60
SPARE PARTS LIST	3-62

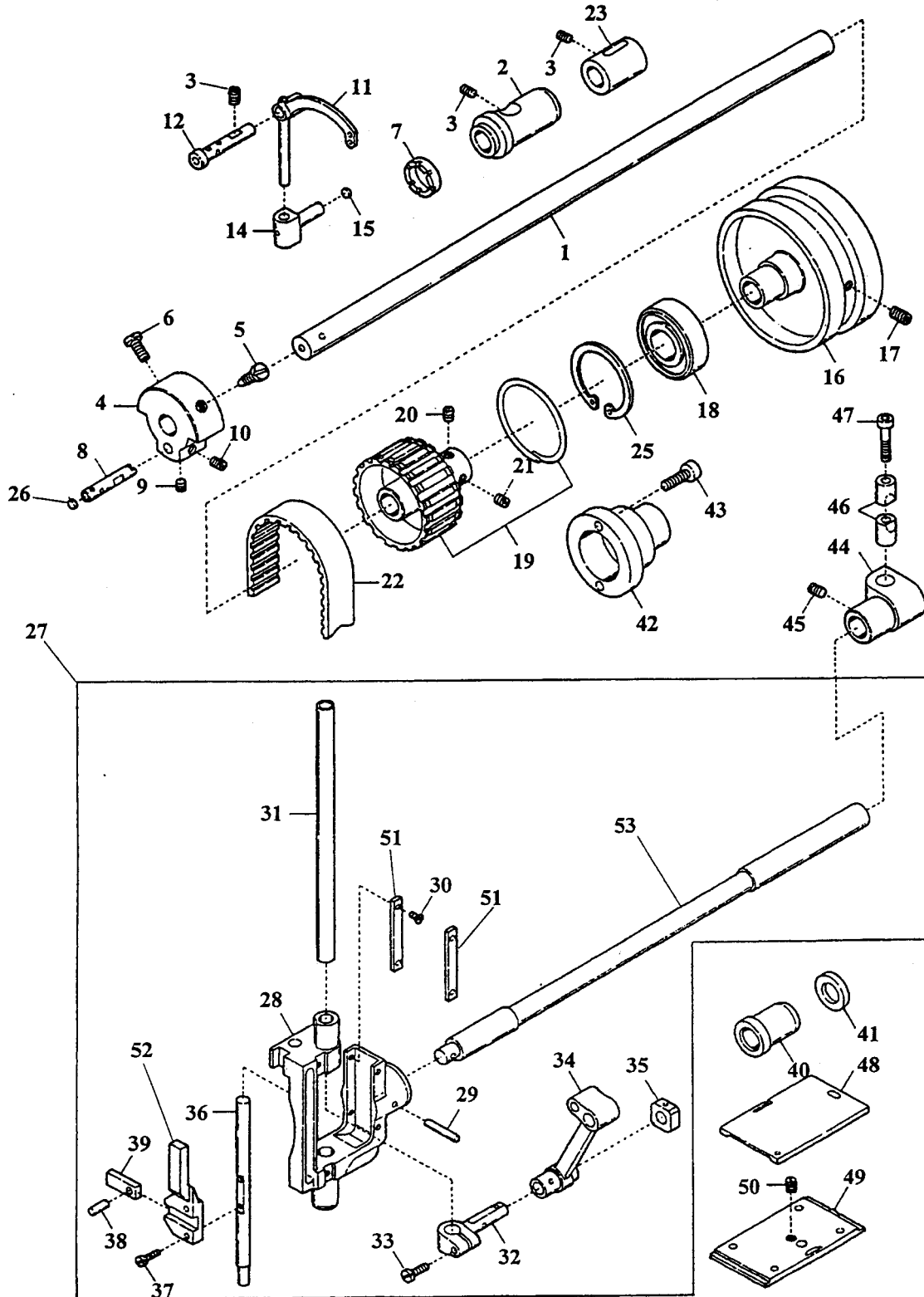
MACHINE BODY AND THREADING MECHANISM



MACHINE BODY AND THREADING MECHANISM

DET	PART NUMER	DESCRIPTION
01	48.1900.0.030	Arm Top Cover
02	46.1000.8.200	Screw
03	46.1000.8.201	Screw
04	46.1001.5.000	Thread Take-up Cover
05	48.1092.0.000	Screw
06	48.1900.0.032	Rear Cover
07	46.1000.8.202	Screw
08	46.1000.8.245	Screw
09	46.1900.0.033	Supplementary Arm Top Cover
10	48.1092.0.001	Screw
11	46.1001.5.054	Upper Presser Bar Bushing
12	46.1000.8.289	Screw
13	46.1001.5.003	Top Cover Thread Guide
14	46.1000.8.252	Nut
15	46.1001.5.020	Upper Arm Thread Guide
16	46.1000.8.229	Screw
17	46.1000.8.203	Screw
18	46.1001.5.021	Center Arm Thread Guide
19	46.1001.5.022	Pipe
20	46.1001.5.023	Tension Release Bar

UPPER SHAFT & NEEDLE BAR ROCKING MECH.



UPPER SHAFT & NEEDLE BAR ROCKING MECH.

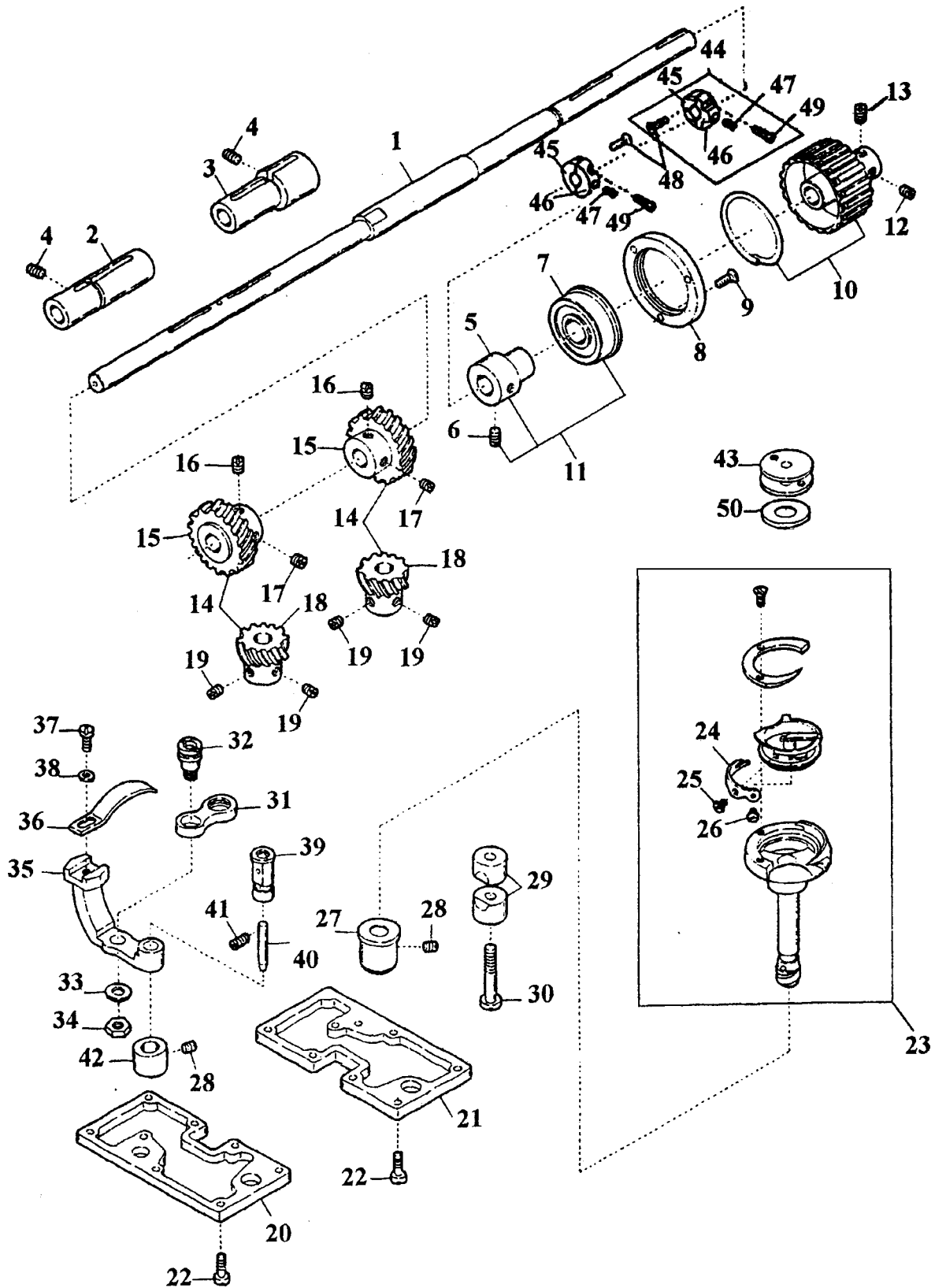
DET	PART NUMBER	DESCRIPTION
01	48.1900.0.034	Upper Shaft
02	48.1900.0.035	LH Upper Shaft Bushing
03	46.1000.8.233	Screw
04	46.1001.5.033	Counterweight
05	46.1000.8.205	Screw
06	46.1000.8.206	Screw
07	46.1001.5.034	Thrust Ring
08	48.1900.0.036	Needle Bar Crank
09	48.1092.0.002	Screw
10	46.1000.8.235	Screw
11	46.1001.5.028	Thread Take-up
12	46.1001.5.027	Stud
14	46.1001.5.029	Thread Take-up Lever Slide Block
15	46.1001.5.030	Pusher
16	48.1900.0.039	Pulley
17	48.1092.0.003	Screw
18	46.1001.5.041	Bearing
19	46.1001.5.039	Upper Timing Belt Wheel Asm.
20	46.1000.8.236	Screw
21	46.1000.8.237	Screw
22	46.1001.5.038	Timing Belt
23	46.1001.5.037	Center Upper Shaft Bushing
25	46.1001.5.040	Stop Ring
26	48.1900.0.040	Pusher
27	48.1900.0.041	Needle Bar Crank Rod Asm.
28	48.1900.0.042	Needle Bar Support
29	46.1001.5.109	Tapered Pin
30	46.1000.8.230	Screw
31	48.1900.0.043	Needle Bar
32	48.1900.0.044	Needle Bar Clamp
33	48.1092.0.004	Screw
34	46.1001.5.046	Needle Bar Crank Rod
35	46.1001.5.047	Needle Bar Guide Slide Block
36	48.1900.0.045	Center Knife Bar
37	46.1000.8.207	Screw
38	38.1900.0.046	Stud
39	48.1900.0.047	Center Knife Bar Block
40	48.1900.0.048	L.H. N.B. Rock Shaft Bushing
41	48.1900.0.051	Spacer
42	48.1900.0.052	Coupling Joint
43	48.1092.0.006	Screw
44	48.1900.0.050	Needle Bar Rock Shaft Stop
45	48.1092.0.005	Screw
46	46.1001.5.184	Pinch Sleeve
47	08.6000.6.030	Screw
48	46.1001.5.025	R.H. Slide Plate
49	48.1900.0.049	Front Slide Plate Asm.
50	46.1000.8.238	Screw
51	38.0000.0.015	Guide Plate
52	38.1900.0.142	Cutter Bar Guide
53	38.0000.0.022	Needle Bar Rock Shaft

Revised 01/2001

e-mail: service@amfreece.cz; parts@amfreece.cz; website: www.amfreece.com

Phones: +420 582 309 146 (Service), +420 582 309 236 (Spare Parts); Fax: +420 582 360 606

LOWER SHAFT & ROTARY HOOK MECHANISM



LOWER SHAFT & ROTARY HOOK MECHANISM

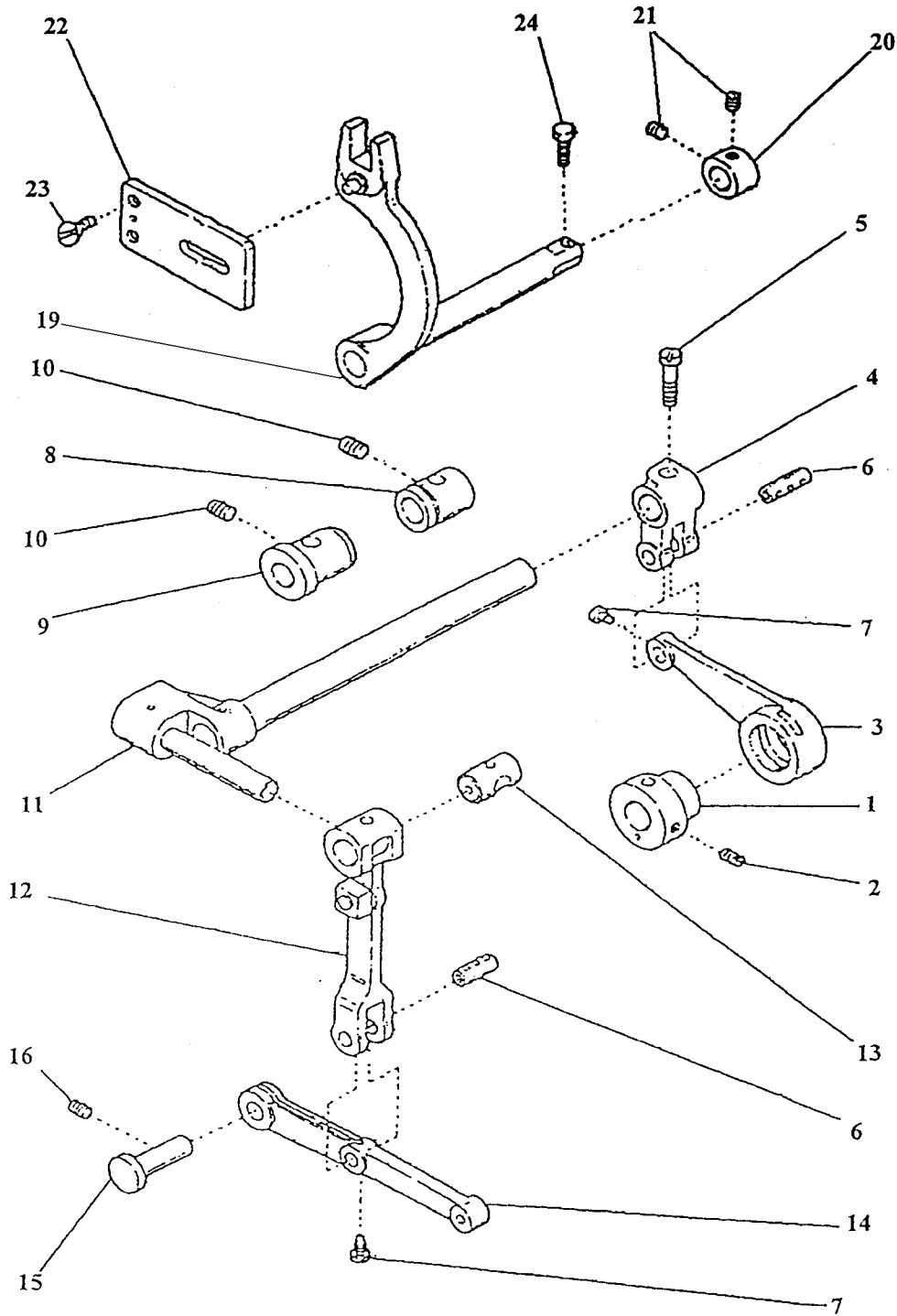
DET	PART NUMBER	DESCRIPTION
01	46.1001.5.059	Lower Shaft
02	46.1001.5.060	LH Rotary Hook Base Bushing
03	46.1001.5.061	RH Rotaxy Hook Base Bushing
04	46.1001.8.239	Screw
05	46.1001.5.062	Bearing Holder
06	46.1000.8.242	Screw
07	46.1001.5.063	Bushing
08	46.1001.5.065	Presser
09	48.1092.0.007	Screw
10	46.1001.5.066	Lower Timing Belt Wheel Asm.
11	46.1001.5.064	Bearing Holder Assembly
12	46.1000.8.237	Screw
13	46.1000.8.236	Screw
14	48.1900.0.053	Spiral Gear Assembly
15	48.1900.0.054	Spiral Gear
16	46.1000.8.243	Screw
17	46.1000.8.235	Screw
18	48.1900.0.055	Pinion
19	46.1000.8.234	Screw
20	46.1001.5.084	LH Oil Reservoir
21	46.1001.5.088	RH Oil Reservoir
22	46.1000.8.208	Screw
23	39.0002.1.001	Outer Rotary Hook Assembly
24	46.1001.5.078	Tension Adjusting Spring
25	46.1000.8.209	Tension Adjusting Screw
26	46.1000.8.210	Screw
27	46.1001.5.075	Upper Rotary Hook Shaft Bushing
28	46.1000.8.240	Screw
29	46.1001.5.076	Pinch Sleeve
30	48.1092.0.005	Screw
31	46.1001.5.070	Link Opener
32	46.1001.5.071	Link Stud Opener
33	46.1000.8.257	Washer
34	48.1093.0.000	Nut
35	46.1001.5.069	Crank Opener
36	46.1001.5.068	Bobbin Case Opener
37	46.1000.8.207	Screw
38	48.1093.0.001	Washer
39	46.1001.5.072	Crank Stud Opener
40	46.1001.5.073	Pipe
41	46.1000.8.241	Screw
42	46.1001.5.074	Lower Rotary Hook Shaft Bushing
43	12.0008.6.510	Bobbin
44	39.0002.9.000	Shaft Collar Complete
45	39.0043.6.000	Shaft Collar
46	39.0081.4.000	Sheet
47	08.6400.5.008	M5 x 8 Screw
48	08.6110.3.008	M3 x 8 Screw
49	08.6012.3.012	M3 x 12 Screw
50	12.3010.0.005	Spring

Revised 01/2001

e-mail: service@amfreece.cz; parts@amfreece.cz; website: www.amfreece.com

Phones: +420 582 309 146 (Service), +420 582 309 236 (Spare Parts); Fax: +420 582 360 606

KNIFE MECHANISM



KNIFE MECHANISM

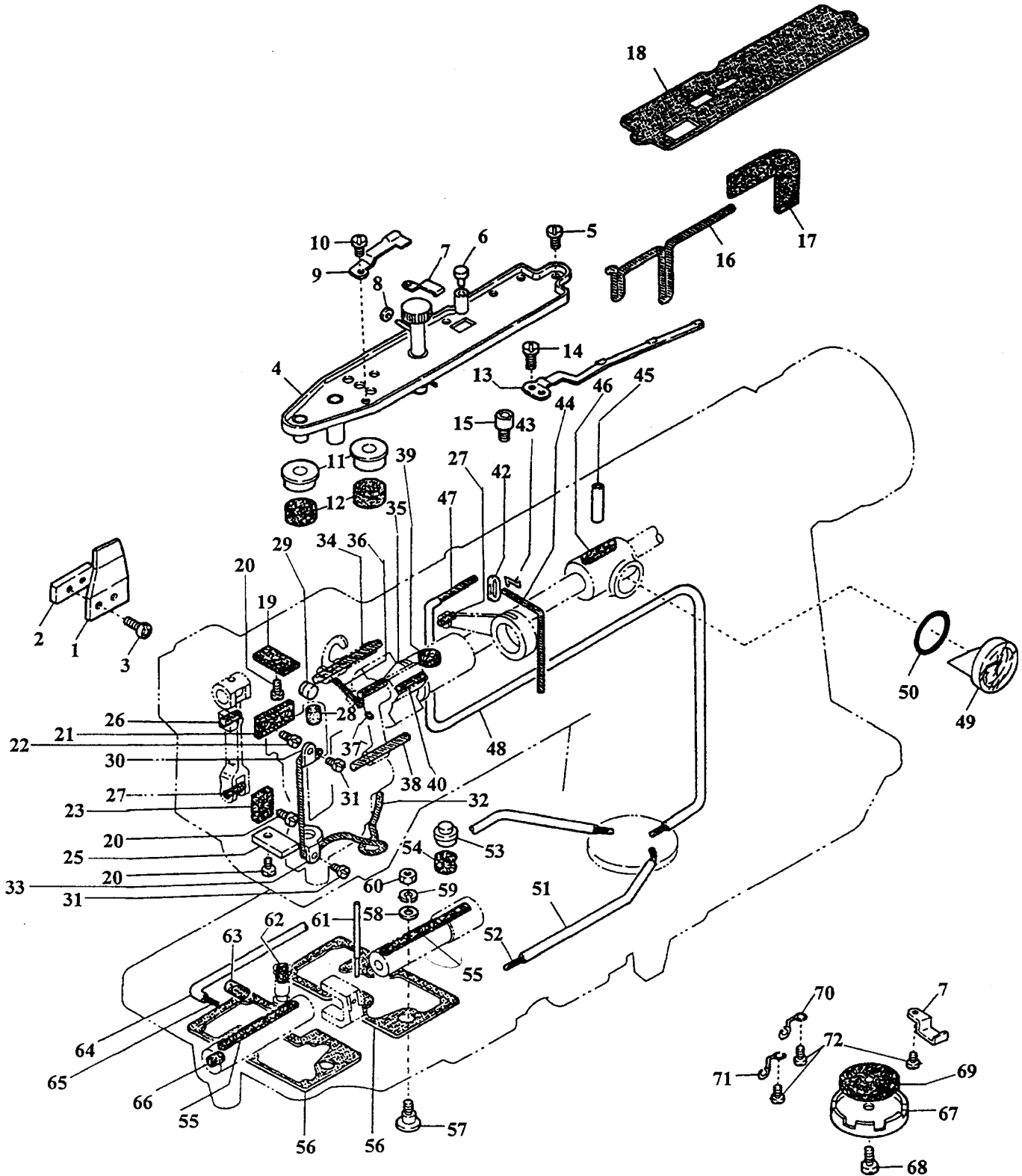
DET	PART NUMER	DESCRIPTION
01	48.1900.0.067	Eccentric Wheel
02	48.1092.0.010	Screw
03	48.1900.0.069	Center Knife Connecting Lever
04	48.1900.0.070	Center Knife Rock Arm
05	48.1092.0.011	Screw
06	48.1900.0.071	Stud
07	48.1092.0.012	Screw
08	48.1900.0.072	Right Hand Rock Shaft Bushing
09	48.1092.0.073	Left Hand Rock Shaft Bushing
10	48.1092.0.013	Screw
11	48.1900.0.074	Center Knife Rock Shaft Assembly
12	48.1900.0.075	Connecting Rod Assembly
13	48.1900.0.076	Slide Block Driving Stud
14	48.1900.0.077	Center Knife Connecting Lever
15	48.1900.0.078	Connecting Lever Shaft
16	48.1092.0.015	Screw
19	48.1900.0.080	Change Lever Assembly
20	48.1900.0.081	Set Collar
21	48.1092.0.017	Screw
22	48.1900.0.082	Change Lever Stop
23	48.1092.0.018	Screw
24	48.1092.0.022	Bolt

Revised 01/2001

e-mail: service@amfreece.cz; parts@amfreece.cz; website: www.amfreece.com

Phones: +420 582 309 146 (Service), +420 582 309 236 (Spare Parts); Fax: +420 582 360 606

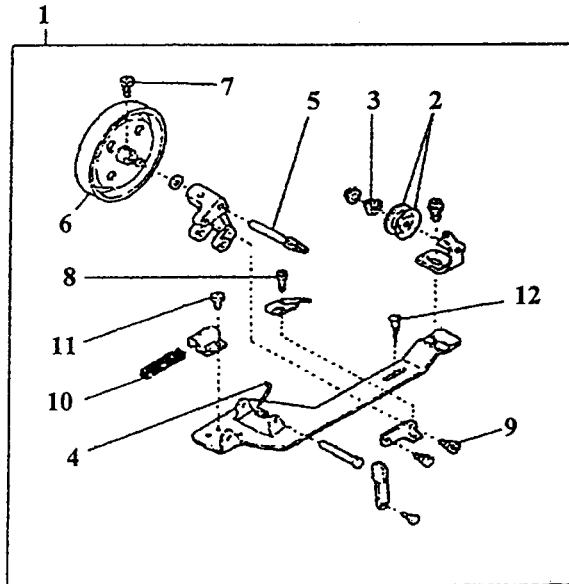
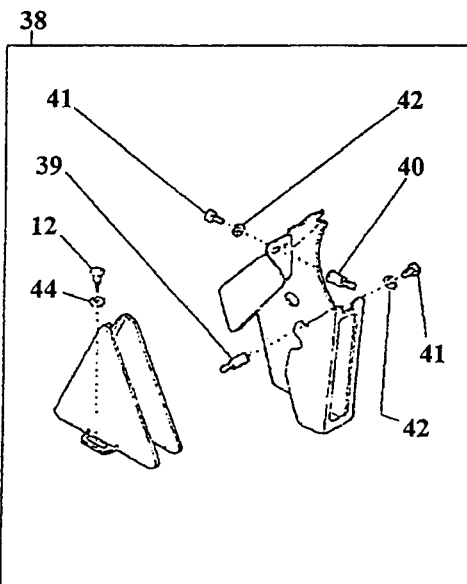
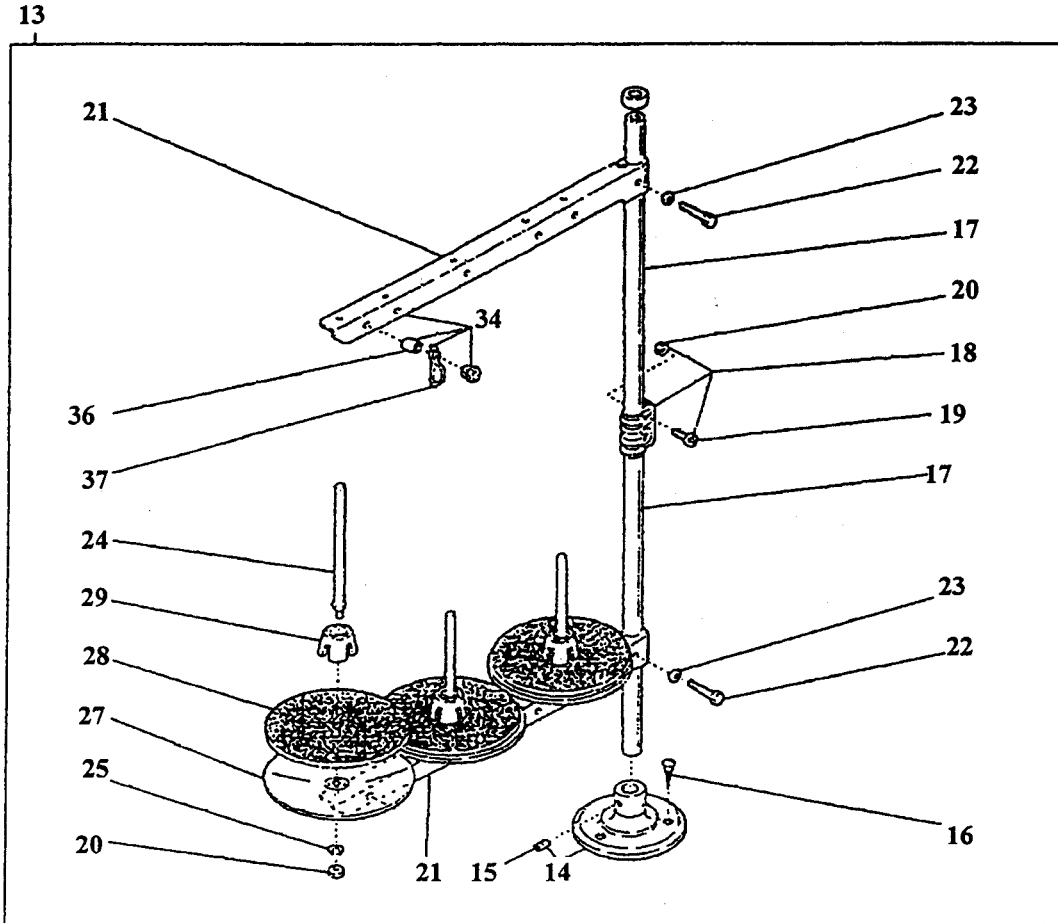
LUBRICATION



LUBRICATION

DET	PART NUMER	DESCRIPTION	DET	PART NUMER	DESCRIPTION
01	48.1900.0.086	Oil Stop Plate	37	48.1900.0.102	Rubber Cap
02	46.1001.5.097	Oil Stop Plate Presser	38	46.1000.8.271	Wick
03	46.1000.8.211	Screw	39	46.1000.8.274	Felt
04	46.1001.5.089	Oil Receiver Plate Assembly	40	46.1000.8.268	Wick
05	46.1000.8.202	Screw	42	48.1900.0.092	Oil Shield
06	46.1001.5.092	Oil Inlet Cap	43	48.1900.0.091	Clip
07	46.1001.5.091	Felt Presser	44	48.1093.0.002	Wick
08	46.1000.8.261	Washer	45	46.1001.5.073	Pipe
09	46.1001.5.090	Spring Plate	46	46.1000.8.279	Felt
10	46.1000.8.216	Screw	47	46.1000.8.282	Wick
11	48.1900.0.097	Oil Cup	48	46.1001.5.099	Oil Tube
12	48.1900.0.098	Felt	49	46.1001.5.108	Oil Gauge Window
13	46.1001.5.094	Wick Holder	50	46.1001.5.095	Packing
14	46.1000.8.212	Screw	51	46.1001.5.101	Oil Tube
15	46.1000.8.248	Oil Guide Tube	52	46.1000.8.284	Wick
16	46.1000.8.267	Wick	53	46.1001.5.098	Oil Cap
17	46.1000.8.273	Felt	54	46.1001.5.275	Felt
18	46.1001.5.093	Packing	55	46.1001.5.278	Felt
19	48.1900.0.095	Felt	56	48.1900.0.087	Packing
20	48.1092.0.021	Screw	57	46.1000.8.226	Oil Adjusting Screw
21	46.1000.8.277	Felt	58	46.1001.5.260	Washer
22	46.1000.8.215	Screw	59	46.1001.5.264	Spring Washer
23	48.1900.0.096	Felt	60	46.1001.5.255	Nut
25	48.1900.0.093	Oil Stop Plate	61	48.1900.0.088	Oil Gauge
26	48.1093.0.003	Wick	62	46.1000.8.280	Felt
27	48.1900.0.099	Felt	63	46.1000.8.276	Felt
28	46.1001.5.043	Needle Bar Cap	64	46.1001.5.100	Oil Tube
29	48.1900.0.101	Cap	65	46.1000.8.283	Wick
30	48.1900.0.089	Upper Wick Support	66	46.1000.8.281	Felt
31	48.1092.0.020	Screw	67	46.1001.5.105	Oil Pipe Support
32	46.1000.8.266	Wick	68	46.1000.8.213	Screw
33	48.1900.0.090	Lower Wick Support	69	46.1000.8.287	Oil Felt
34	46.1000.8.269	Wick	70	46.1001.5.107	Tube Holder
35	46.1000.8.272	Wick	71	46.1001.5.106	Tube Holder
36	48.1093.0.004	Wick	72	46.1000.8.213	Screw

THREAD STAND



THREAD STAND

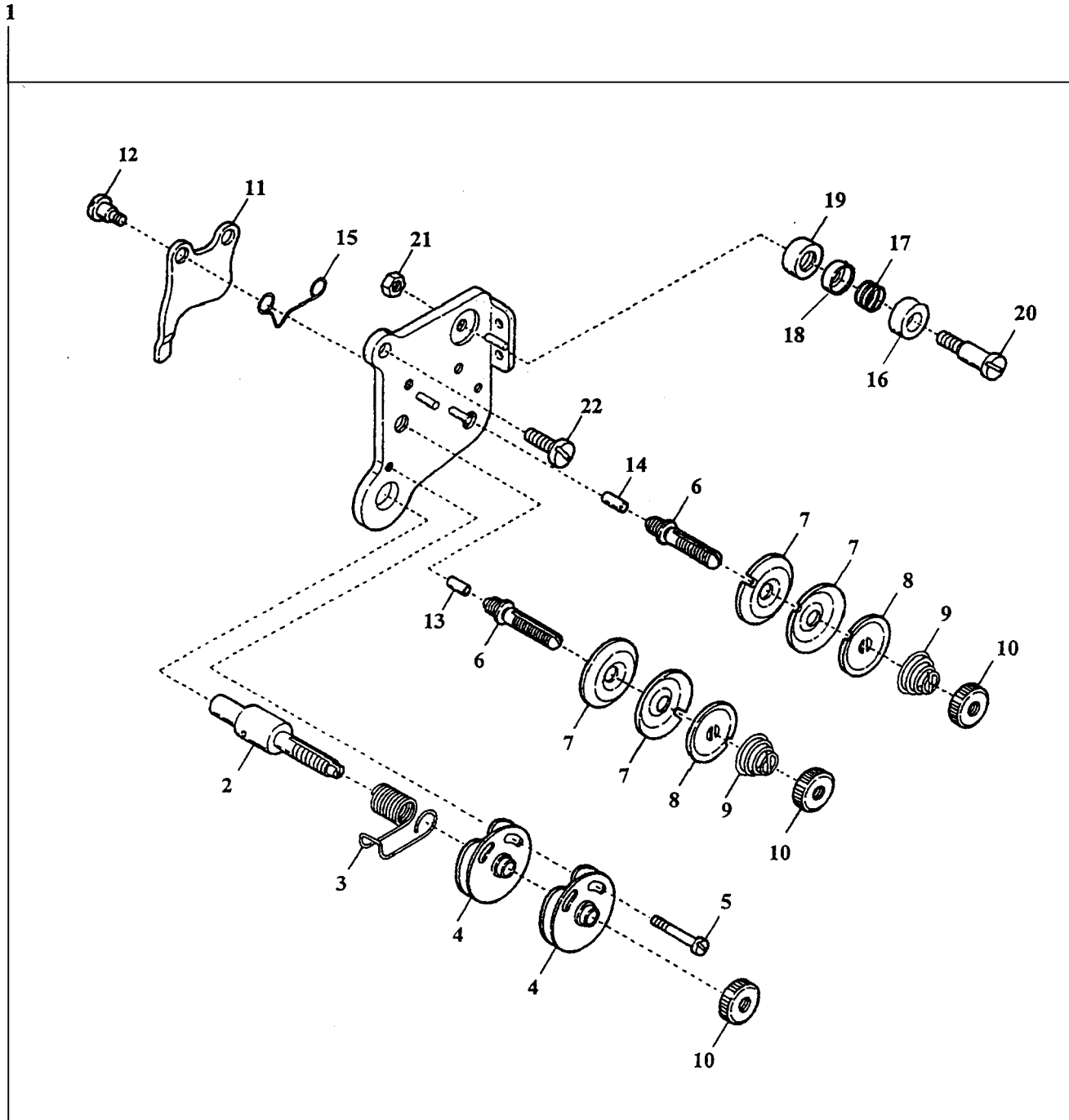
DET	PART NUMER	DESCRIPTION
01	46.1001.5.174	Bobbin Winder Assembly
02	46.1001.5.170	Tension Disc
03	46.1001.5.169	Tension Spring
04	46.1001.5.171	Spring
05	46.1001.5.168	Bobbin Winder Shaft
06	46.1001.5.173	Bobbin Winder Wheel Assembly
07	46.1000.8.217	Screw
08	46.1000.8.218	Screw
09	46.1000.8.227	Stud Screw
10	46.1001.5.172	Bobbin Winder Wheel Stop
11	46.1000.8.219	Screw
12	46.1000.8.246	Screw
13	46.1001.5.167	Cotton Stand Assembly
14	46.1001.5.166	Cotton Stand Base Assembly
15	46.1000.8.244	Screw
16	46.1000.8.247	Screw
17	46.1001.5.157	Pipe
18	46.1001.5.158	Joint for Cotton Stand
19	46.1000.8.220	Screw
20	46.1000.8.251	Nut
21	46.1001.5.164	Spool Holder
22	46.1000.8.221	Bolt
23	46.1000.8.262	Washer
24	46.1001.5.159	Spool Shaft
25	46.1000.8.665	Spring Washer
27	46.1001.5.162	Spool Stand Base
28	46.1001.5.161	Spool Mat
29	46.1001.5.160	Spool Cushion
34	46.1001.5.156	Thread Hanger Assembly
36	46.1001.5.181	Thread Bushing
37	46.1001.5.182	Thread Guide Spring
38	46.1001.5.175	Belt Cover Assembly
39	46.1000.8.249	Belt Cover Stud
40	46.1000.8.250	Belt Cover Stud
41	46.1000.8.223	Screw
42	46.1000.8.264	Spring Washer
44	46.1000.8.263	Washer

Revised 01/2001

e-mail: service@amfreece.cz; parts@amfreece.cz; website: www.amfreece.com

Phones: +420 582 309 146 (Service), +420 582 309 236 (Spare Parts); Fax: +420 582 360 606

TOP THREAD TENSION ASSEMBLY



TOP THREAD TENSION ASSEMBLY

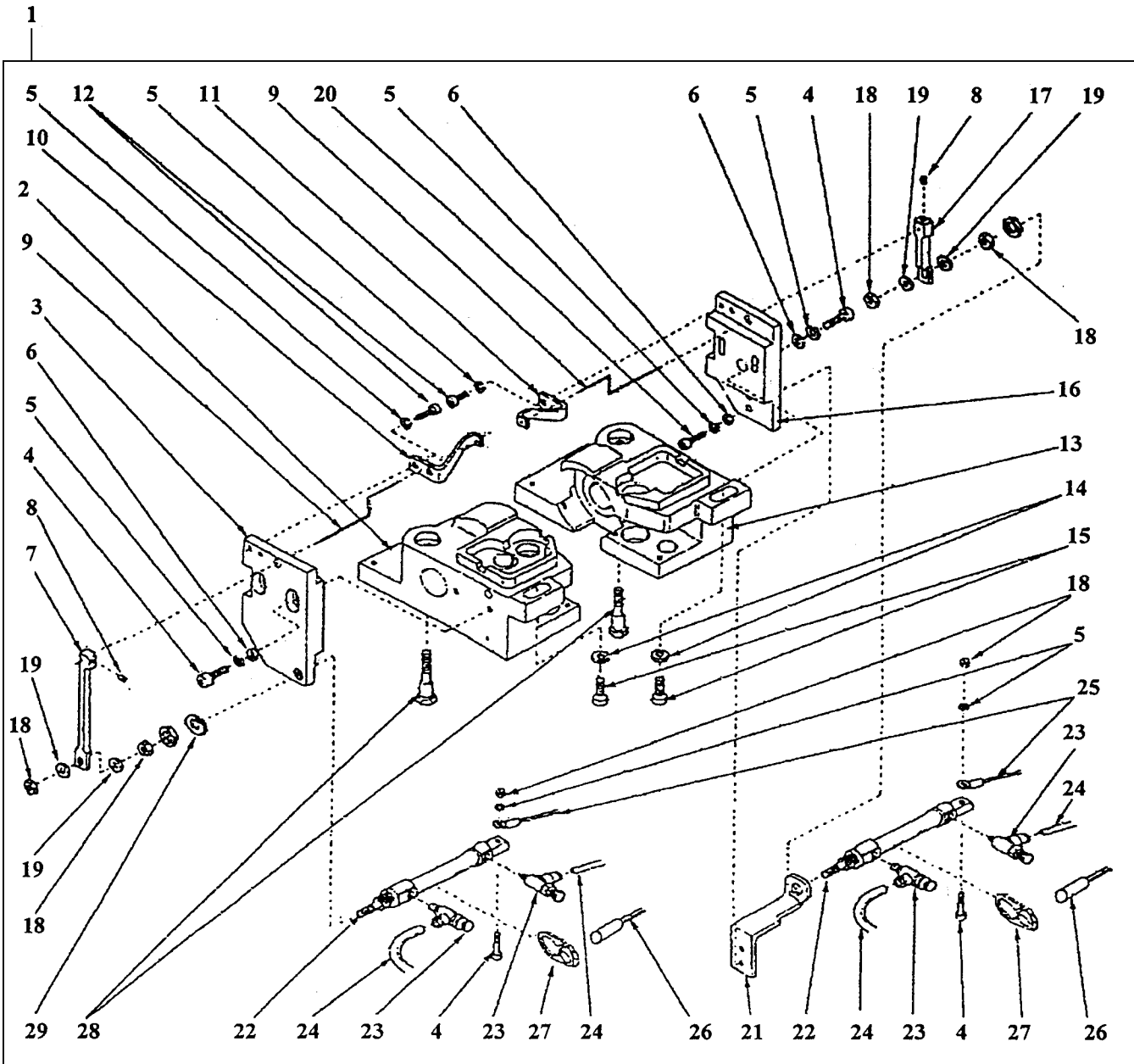
DET	PART NUMER	DESCRIPTION
01	46.1001.5.111	Upper Tension Control Assembly
02	46.1001.5.017	Tension Stud
03	46.1001.5.018	Thread Takeup Spring
04	46.1001.5.016	Spring Guide Assembly
05	46.1000.8.204	Screw
06	46.1001.5.110	Tension Stud
07	46.1001.5.011	Tension Disc
08	46.1001.5.010	Tension Disc Washer
09	46.1001.5.009	Tension Spring
10	46.1000.8.256	Tension Control Nut
11	46.1001.5.014	Release Plate
12	46.1000.8.224	Stud Screw
13	46.1001.5.013	Pin
14	46.1001.5.012	Pin
15	46.1001.5.015	Tension Release Spring
16	46.1001.5.005	Cap
17	46.1001.5.006	Thread Guide Spring
18	46.1001.5.007	Stud Screw
19	46.1001.5.008	Thread Guide Bracket
20	46.1000.8.225	Stud Screw
21	46.1000.8.253	Nut
22	46.1000.8.201	Screw

Revised 01/2001

e-mail: service@amfreece.cz; parts@amfreece.cz; website: www.amfreece.com

Phones: +420 582 309 146 (Service), +420 582 309 236 (Spare Parts); Fax: +420 582 360 606

BOBBIN THREAD MONITOR



BOBBIN THREAD MONITOR

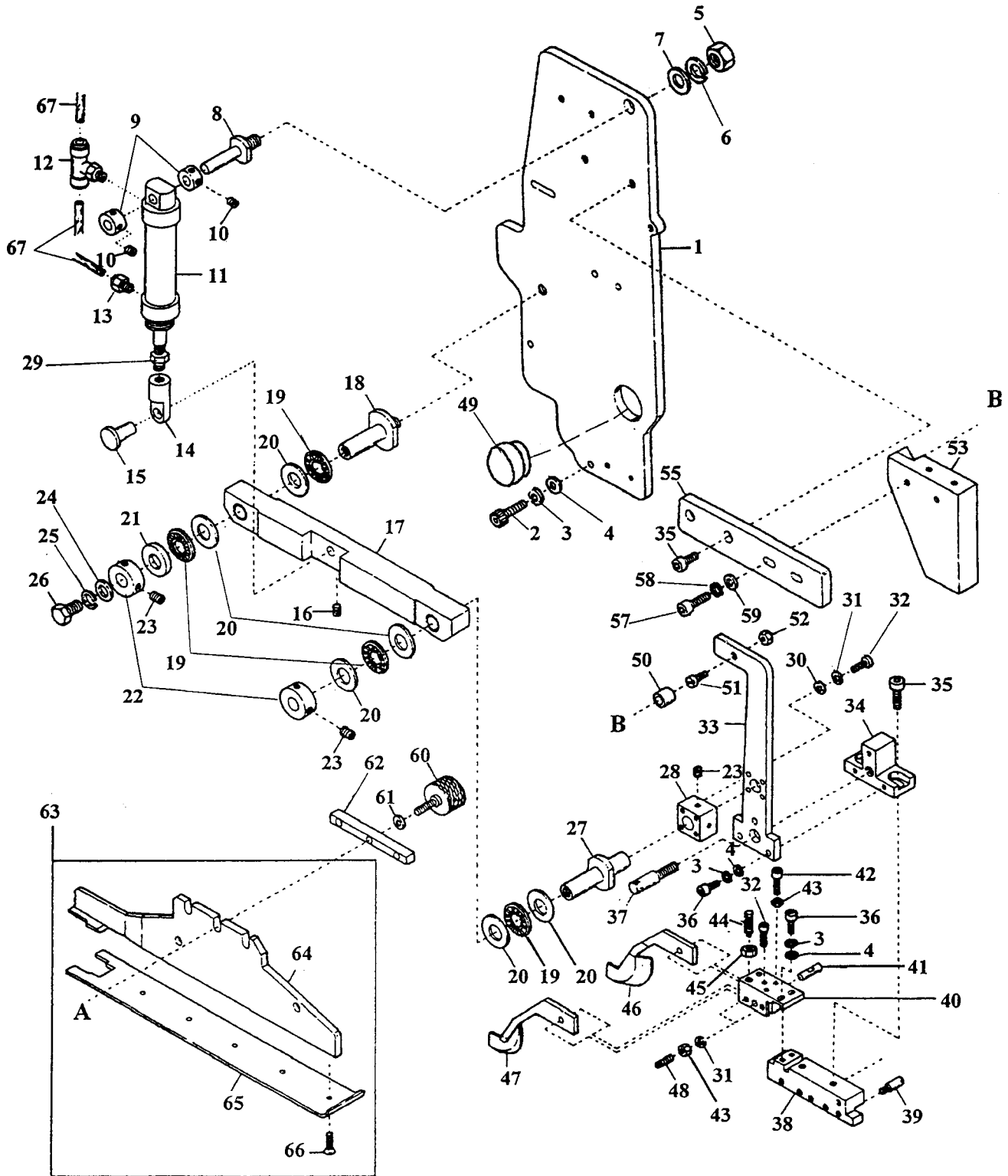
DET	PART NUMER	DESCRIPTION
01	48.1125.5.627	Bobbin Thread Monitor, Complete
02	46.1125.5.168	Left Rotary Hook Base
03	39.0002.9.001	Left Holder Unit
04	08.6000.4.016	Screw
05	08.6802.4.000	Washer
06	08.6852.4.000	Washer
07	39.0063.2.001	Left Sensing Bar Connection
08	08.6400.4.004	Screw
9	46.1125.5.158	Sensing Bar
10	46.1125.5.157	Left Sensing Bar Guide
11	46.1125.5.156	Right Sensing Bar Guide
12	08.6000.4.010	Screw
13	46.1125.5.169	Right Rotary Hook Base
14	46.1000.0.663	Washer
15	46.1000.6.197	Screw
16	39.0002.9.002	Right Unit Holder
17	39.0063.2.000	Right Sensing Bar Connection
18	08.6702.4.000	Nut
19	17.0019.0.228	Washer
20	08.6312.4.012	M4 x 12 Screw
21	39.0082.3.000	Cylinder Support
22	12.0008.3.057	Cylinder
23	12.0008.3.062	Speed Control
24	12.0008.3.018	Air Tubing
25	48.1120.0.075	Signal Cord
26	12.0008.3.043	Sensing Switch
27	12.0008.3.015	Band
28	46.1000.6.195	Screw
29	17.0019.0.602	Washer

Revised 01/2001

e-mail: service@amfreece.cz; parts@amfreece.cz; website: www.amfreece.com

Phones: +420 582 309 146 (Service), +420 582 309 236 (Spare Parts); Fax: +420 582 360 606

PATCH GUIDE MECHANISM



PATCH GUIDE MECHANISM

DET	PART NUMER	DESCRIPTION	DET	PART NUMER	DESCRIPTION
01	39.0081.3.000	Head Cover	34	48.1125.5.745	Patch Guide Holder
02	08.6000.4.016	M4 x 16 Screw	35	08.6000.6.010	M6 x 10 Screw
03	08.6802.4.000	Spring Washer	36	08.6000.4.012	M4 x 12 Screw
04	08.6852.4.000	Washer	37	46.1000.6.191	M8 Screw
05	08.6702.0.000	Nut	38	46.1125.5.103	Mounting Block
06	08.6802.0.000	Spring Washer	39	46.1018.0.013	Screw Pin
07	08.6852.0.000	Washer	40	See Page 3-59	Needle Guard Block
08	39.0033.3.001	Cylinder Pin	41	See Page 3-59	Needle Guard Shaft
09	39.0043.6.002	Collar	42	08.6000.3.010	M3 x 10 Screw
10	08.6400.3.004	Screw	43	08.6702.3.000	M3 Nut
11	12.0008.3.055	Cylinder	44	46.1001.4.535	M5 Screw
12	12.0008.3.008	Connector	45	08.6702.5.000	M5 Nut
13	12.0008.3.033	Connector	46	39.0004.8.002	Right Jumping Guide
14	46.1001.0.285	Knuckle	47	39.0004.8.001	Left Jumping Guide
15	46.1001.4.533	Connecting Pin	48	08.6400.3.006	M3 x 6 Screw
16	08.6400.6.010	M6 x 10 Screw	49	46.0002.0.759	Rubber
17	46.1001.4.536	Patch Guide Moving Lever	50	46.1001.4.186	Cam Roller
18	48.1125.5.246	Rear Lever Pin	51	46.1000.6.186	M6 x 10 Screw
19	12.2060.0.000	Thrust Bearing	52	08.6702.6.000	M6 Nut
20	12.2060.0.001	Thrust Ring	53	39.0064.3.000	Patch Guide Cam
21	48.1125.5.231	Spacer	55	38.1125.6.462	Patch Guide Cam Arm
22	39.0043.6.003	Collar	57	08.6000.6.025	M6 x25 Sciresv
23	08.6400.6.006	M6 x 6 Screw	58	08.6802.6.000	Spring Washer
24	08.6852.8.000	Washer	59	08.6852.6.000	Washer
25	08.6802.8.000	Spring Washer	60	46.1125.5.112	Fixing Knob
26	08.6312.8.014	M8 x 14 Screw	61	08.6852.5.000	Washer
27	46.1001.5.484	Front Lever Pin	62	46.1125.5.113	Fixing Plate
28	46.1001.5.485	Adjusting Block	63	See Pg. 3-60	Patch Guide, Complete
29	08.6702.8.000	M8 Nut	64	See Pg. 3-60	Upper Patch Guide
30	08.6852.3.000	Washer-	65	See Pg. 3-60	Lower Patch Guide
31	08.6802.3.000	Spring Washer-	66	08.6132.2.006	M2 x 6 Screw
32	08.6000.3.016	M3 x 16 Screw	67	12.0008.3.018	AirTubing
33	46.1001.5.486	Patch Guide Lever			

Revised 01/2001

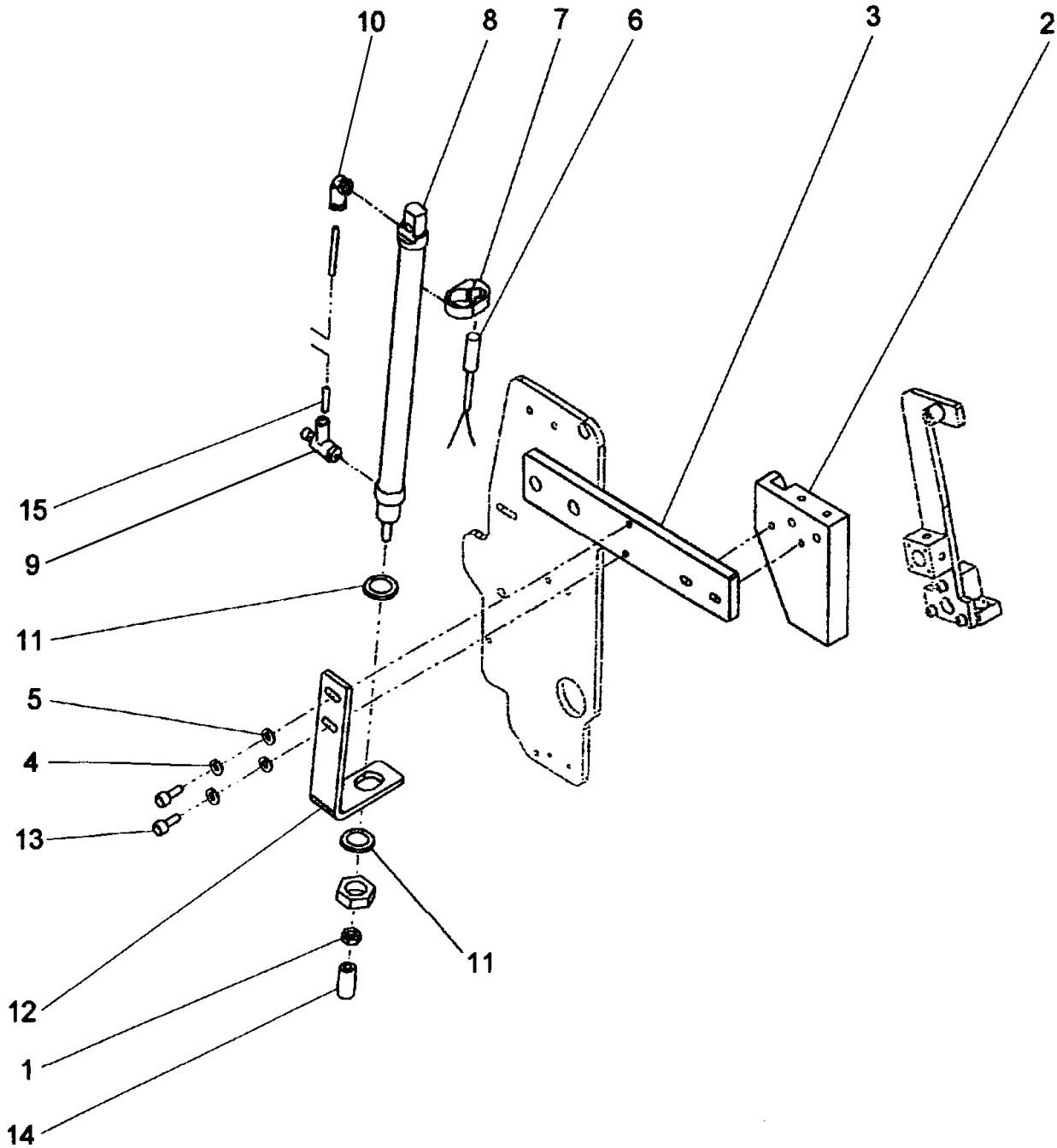
e-mail: service@amfreece.cz; parts@amfreece.cz; website: www.amfreece.com

Phones: +420 582 309 146 (Service), +420 582 309 236 (Spare Parts); Fax: +420 582 360 606

DART STRETCHER

SPECIAL APPLICATION ATTACHMENTS

See Page 3-18



DART STRETCHER

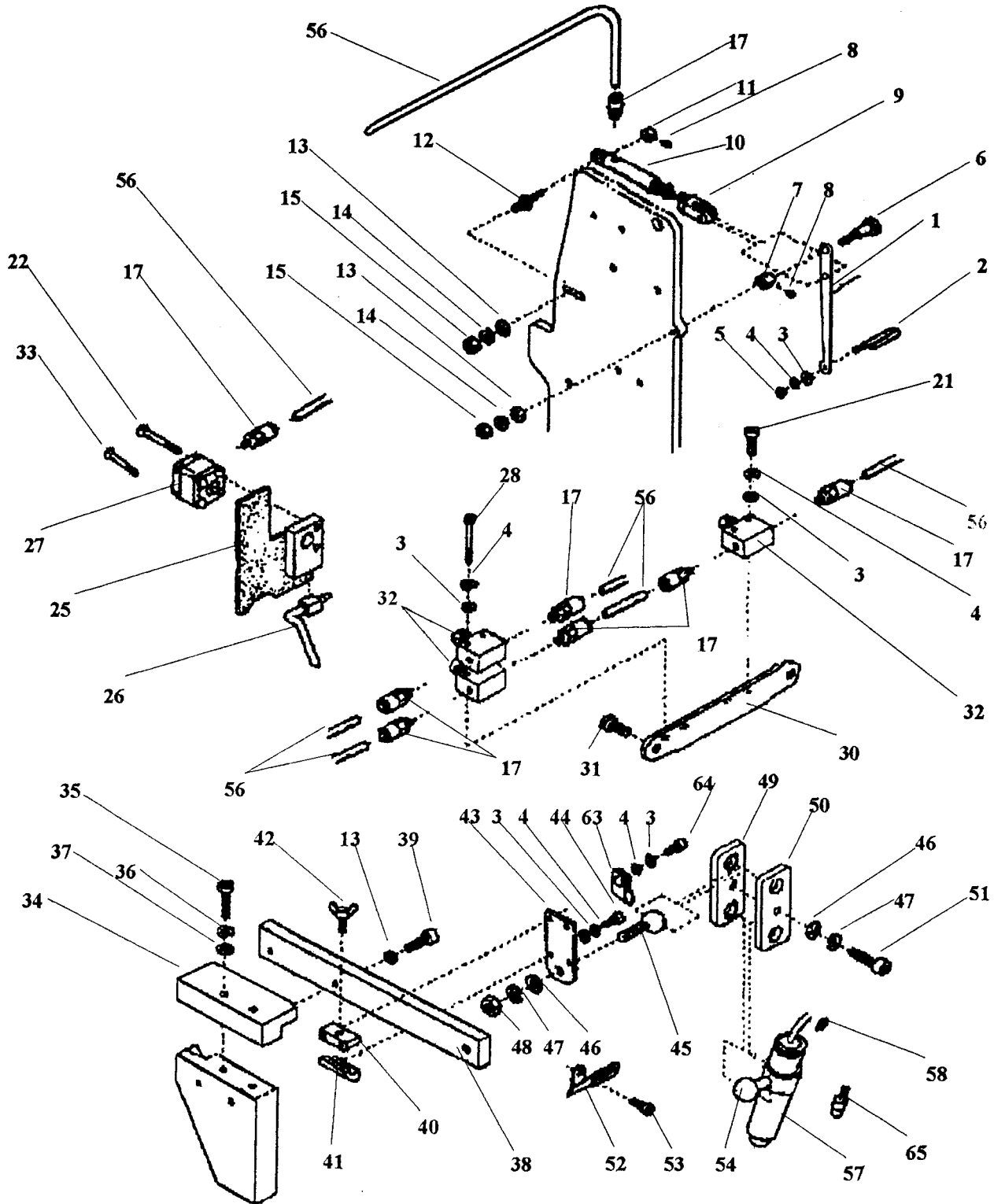
DET	PART NUMER	DESCRIPTION
01	08.6702.6.000	Nut
02	39.0064.3.001	Patch Guide Cam
03	39.0064.8.007	Patch Guide Cam Arm
04	08.6802.6.000	Spring Washer
05	08.6852.6.000	Washer
06	12.0008.3.043	Switch
07	12.0008.3.095	Band
08	12.0008.3.096	Cylinder
09	12.0008.3.062	Speed Control
10	12.0008.3.029	Connector
11	39.0019.0.003	Washer
12	39.0083.6.014	Cylinder Support
13	08.6000.6.016	Screw
14	39.0095.1.000	Rubber
15	39.0094.2.000	Air Tubing

Revised 01/2001

e-mail: service@amfreece.cz; parts@amfreece.cz; website: www.amfreece.com

Phones: +420 582 309 146 (Service), +420 582 309 236 (Spare Parts); Fax: +420 582 360 606

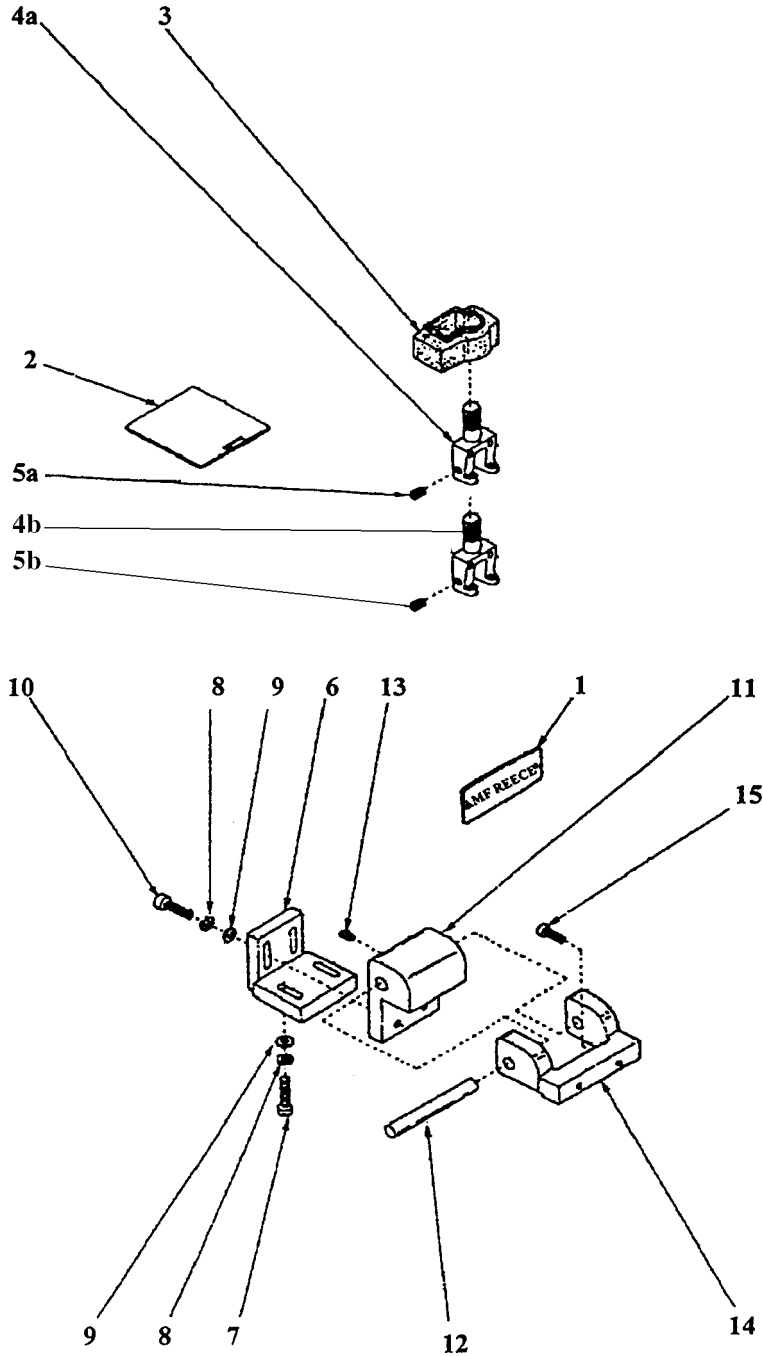
TENSION RELEASE, LOCATING LIGHT PARTS



TENSION RELEASE, LOCATING LIGHT PARTS

DET	PART NUMER	DESCRIPTION	DET	PART NUMER	DESCRIPTION
01	46.1001.4.566	Wiper Lever	35	08.6000.6.030	M6 x 30 Screw
02	46.1001.4.525	Wiping Bar	36	08.6802.6.000	Spring Washer
03	08.6852.4.000	Washer	37	08.6852.6.000	M6 Washer
04	08.6802.4.000	Spring Washer	38	46.1001.4.530	Adjusting Plate
05	08.6702.4.000	M4 Nut	39	08.6000.5.016	M5 x 16 Screw
06	46.1000.6.192	Screw	40	46.1001.4.531	Upper Block
07	39.0043.6.002	Collar	41	46.1001.4.532	Lower Block
08	08.6400.3.004	M3 x 4 Screw	42	08.6512.5.010	M5 x 10 Screw
09	12.0008.3.040	Knuckle	43	46.1001.4.528	Support
10	12.0008.3.063	Cylinder	44	08.6000.4.010	M4 x 10 Screw
11	39.0043.6.004	Collar	45	46.1000.6.187	Ball Screw
12	39.0033.3.000	Wiper Lever Pin	46	08.6852.8.000	M8 Washer
13	08.6852.5.000	Washer	47	08.6802.8.000	Spring Washer
14	08.6802.5.000	Spring Washer	48	08.6702.8.000	M8 Nut
15	08.6702.5.000	M5 Nut	49	46.1001.4.224	Left Lamp Holder
17	12.0008.3.003	Connector	50	46.1001.4.225	Right Lamp Holder
21	08.6032.4.020	M4 x 20 Screw	51	08.6000.8.030	M8 x 30 Screw
22	08.6012.3.060	M3 x 60 Screw	52	46.1001.4.260	Needle thread Eyelet
25	39.0003.9.000	Cylinder Holder	53	46.1000.5.000	Screw
26	46.1001.5.443	Oil Return Pipe	54	39.0004.9.000	Locating Lamp Holder
27	12.0008.3.050	Cylinder	56	12.0008.3.018	Air Tubing
28	08.6032.4.035	M4 x 35 Screw	57	12.0008.4.087	Work Locating Lamp
29	12.0008.3.029	Connector	58	08.6400.5.006	M5 x 6 Screw
30	39.0082.4.001	Support	61	08.6400.4.004	M4 x 4 Screw
31	46.1000.4.642	1/4-24 x 12 Screw	63	12.0008.4.089	Cord Clamp
32	12.0008.3.061	Speed Control	64	08.6000.4.016	M4 x 16 Screw
33	08.6012.3.045	M3 x 45 Screw	65	12.0008.4.088	Light Bulb
34	46.1001.4.529	Block	68	08.6012.3.003	M3 x 6 Screw

HINGE PARTS



HINGE PARTS

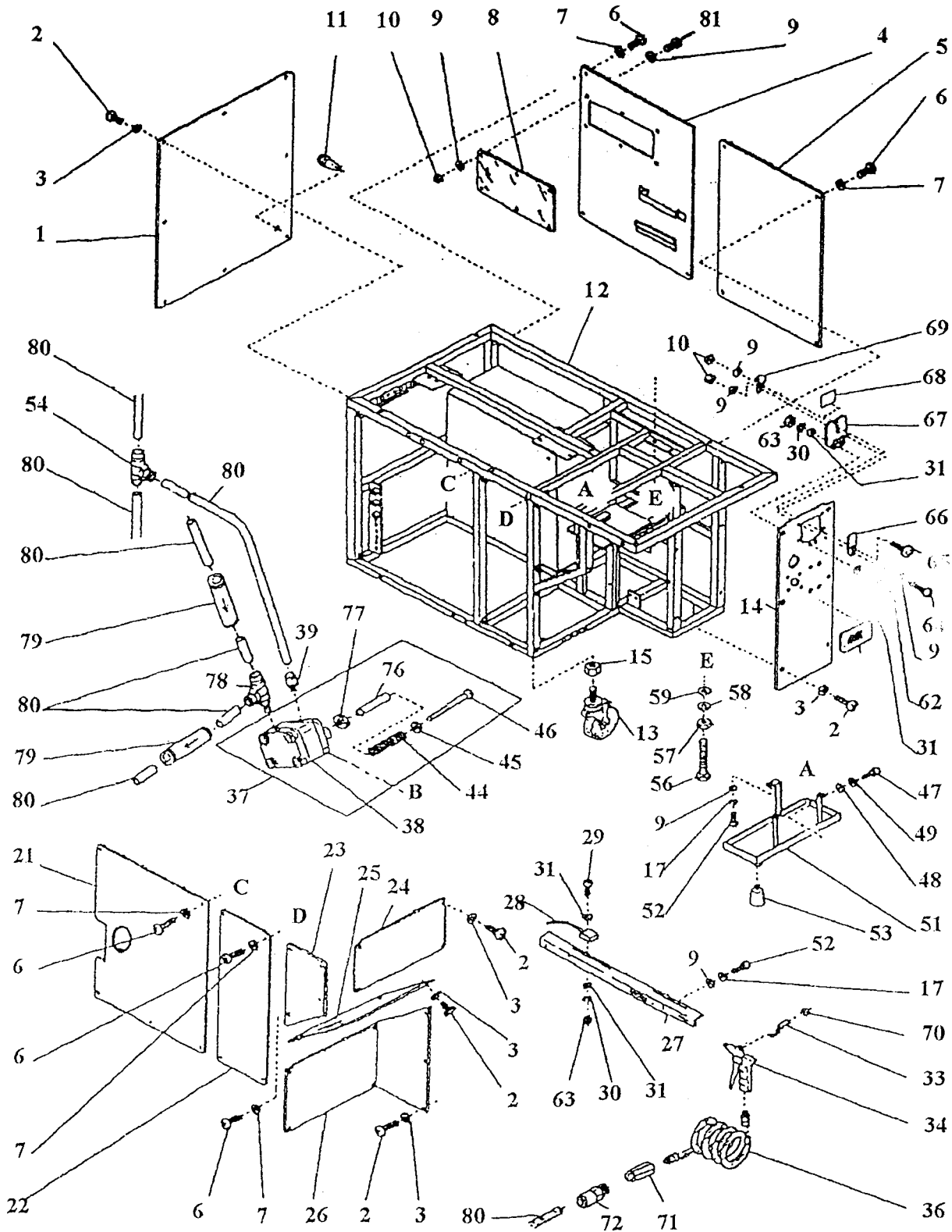
DET	PART NUMER	DESCRIPTION
01	05.1391.0.000	Name Plate
02	39.0081.5.000	Slide Plate
03	48.1125.5.524	Rubber
04a	See Pg. 3-58	Needle Head-Metric Thread
04b	48.1900.0.002	Needle Head-Whitworth Thread (12mm)
05a	08.6410.3.003	M3 x 3 Screw-Metric Thread
05b	48.1026.0.004	1/8-40 Screw-Whitworth Thread
06	46.1001.4.425	Lower Hinge
07	08.6000.6.025	M6 x 25 Screw
08	08.6802.6.000	Spring Washer
09	17.0019.0.232	M6 Washer
10	08.6000.6.020	M6 x 20 Screw
11	46.1001.4.424	Middle Hinge
12	46.1001.4.411	Hinge Shaft
13	08.6400.4.006	M4 x 6 Screw
14	46.1001.4.423	Upper Hinge
15	46.1000.5.061	1/4-24 Screw

Revised 01/2001

e-mail: service@amfreece.cz; parts@amfreece.cz; website: www.amfreece.com

Phones: +420 582 309 146 (Service), +420 582 309 236 (Spare Parts); Fax: +420 582 360 606

FRAME AND COVERS



FRAME AND COVERS

DET	PART NUMER	DESCRIPTION	DET	PART NUMER	DESCRIPTION
01	39.0083.1.000	Frame Cover (3)	39	12.0008.3.103	Connector
02	08.6142.4.010	M4 x 10 Screw	44	39.0026.0.000	Pump Cylinder Spring
03	08.6822.4.000	Washer	45	39.0019.0.000	Washer
04	39.0004.8.003	Frame Cover (4)	46	08.6000.5.050	M5 x 50 Screw
05	39.0083.1.001	Frame Cover (5)	47	08.6000.5.016	M5 x 16 Screw
06	08.6202.6.012	M6 x 12 Screw	48	08.6852.5.000	Washer
07	08.6852.6.000	Washer	49	08.6802.5.000	Spring Washer
08	39.0095.4.000	Sight Window	51	39.0004.8.004	Oil Pan
09	08.6852.4.000	Washer	52	08.6000.4.010	M4 x 10 Screw
10	08.6702.4.000	M4 Nut	53	12.0008.6.905	Oil Retainer
11	12.0008.4.015	Cord Bushing	56	08.6312.8.080	M8 x 80 Screw
12	39.0004.8.006	Frame	57	08.6702.8.000	M8 Nut
13	39.0002.9.003	Caster	58	08.6802.8.000	Spring Washer
14	39.0083.1.002	Control Box Cover	59	08.6852.8.000	Washer
15	08.6712.0.200	M20 Nut	60	39.0097.5.000	Model Plate
17	08.6802.4.000	Spring Washer	62	08.6032.3.008	M3 x 8 Screw
21	39.0083.1.003	Frame Cover (2)	63	08.6702.3.000	M3 Nut
22	39.0083.1.004	Frame Cover (1)	64	08.6032.4.010	M4 x 10 Screw
23	39.0083.1.005	Frame Cover (9)	65	39.0013.4.000	M4 Screw
24	39.0083.1.006	Frame Cover (6)	66	38.1125.5.942	Front Cover Stop
25	39.0083.1.007	Frame Cover (7)	67	39.0004.8.005	Front Cover Stop
26	39.0083.1.008	Frame Cover (8)	68	39.0095.4.001	Sticker
27	39.0083.6.000	Sensing Switch Rail	69	48.1125.3.220	Stop Spring
28	12.0008.4.032	Sensing Switch	70	08.6702.6.000	M6 Nut
29	08.6000.3.016	M3 x 16 Screw	71	12.0008.3.009	Nut
30	08.6802.3.000	Spring Washer	72	12.0008.3.034	Connector
31	08.6852.3.000	Washer	76	39.0041.0.001	Spacer
33	39.0027.1.002	Eye Bolt	77	08.6852.0.000	Washer
34	12.0008.3.022	Air Gun	78	12.0008.3.078	Connector
36	12.0008.3.021	Spiral Tube	79	12.0008.3.079	Connector
37	39.0008.3.000	Oil Return Pump	80	12.0008.3.018	Air Tubing
38	12.0008.3.051	Cylinder	81	08.6202.4.012	M4 x 12 Screw

Revised 01/2001

e-mail: service@amfreece.cz; parts@amfreece.cz; website: www.amfreece.com

Phones: +420 582 309 146 (Service), +420 582 309 236 (Spare Parts); Fax: +420 582 360 606

TABLE TOP AND ASSOCIATED PARTS

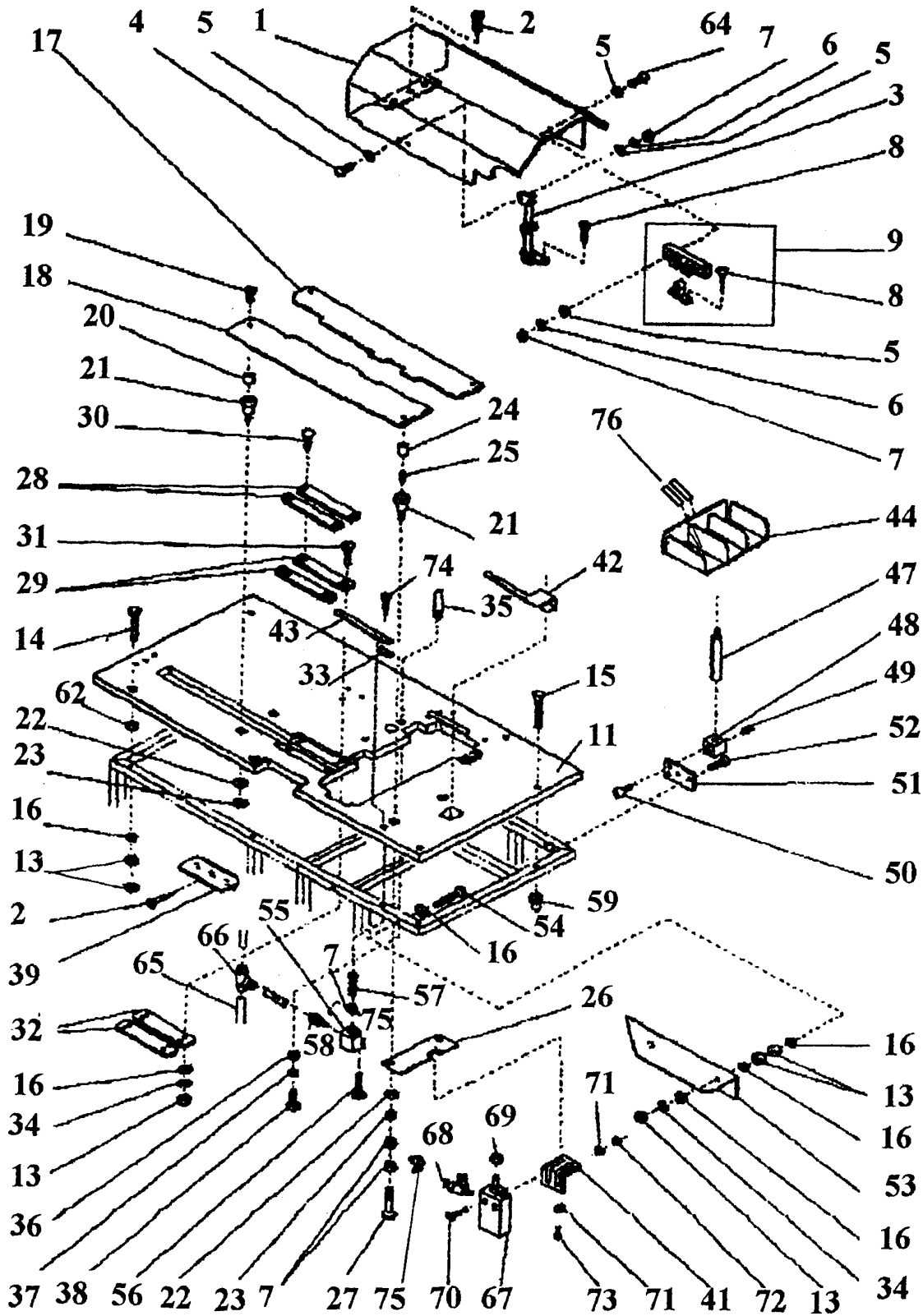
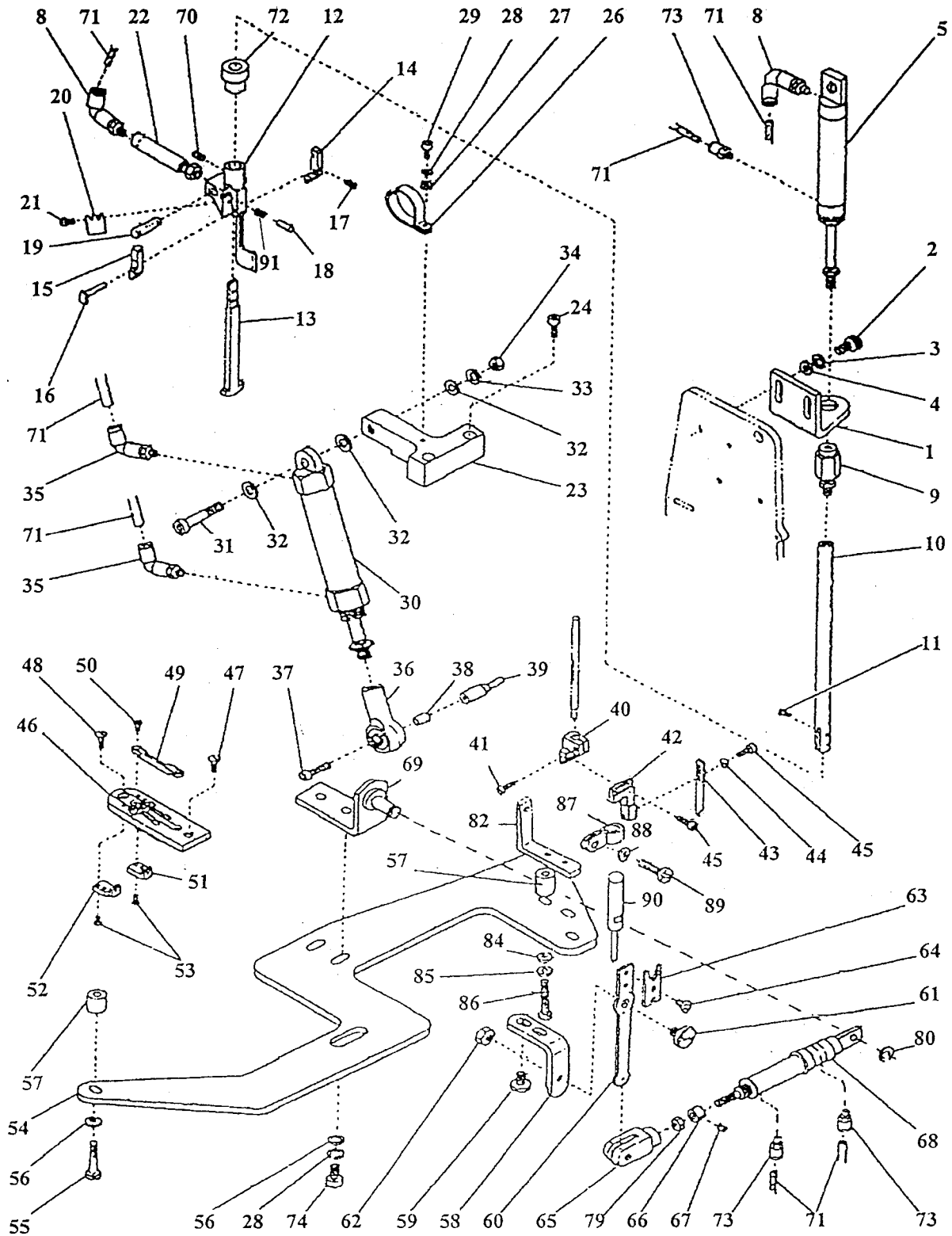


TABLE TOP AND ASSOCIATED PARTS

DET	PART NUMER	DESCRIPTION	DET	PART NUMER	DESCRIPTION
01	39.0004.8.007	Mechanism Cover	35	48.1125.5.565	Machine Stay
02	08.6663.5.025	Wood Screw	41	39.0083.6.002	Btacket
03	39.0004.7.000	Cover Stay	42	39.0082.9.000	Stay Holder
04	08.6032.3.008	M3 x 8 Screw	43	39.0082.9.001	Workpiece Clamp
05	08.6852.3.000	Washer	44	39.0004.8.008	Tray
06	08.6802.3.000	Spring Washer	47	46.1001.4.302	Mount Holdet
07	08.6702.3.000	M3 Nut	48	46.1001.4.300	Shaft Holder
08	08.6646.3.020	Wood Screw	49	08.6400.6.010	M6 x 10 Screw
09	12.0008.6.508	Cover Latch	50	08.6000.4.010	M4 x 10 Screw
11	39.0091.0.000	Table Top	51	46.1001.4.301	Support
13	08.6702.8.000	M8 Nut	52	08.6000.6.040	M6 x 10 Screw
14	39.0015.5.001	M8 x 80 Screw	53	39.0083.6.003	Extension Plate
15	39.0015.5.000	M8 x 76 Screw	54	08.6312.8.080	M8 x 80 Screw
16	08.6852.8.000	M8 Washer	55	12.0008.3.050	Cylinder
17	See Pg. 3-59	Left Slide Plate	56	08.6012.3.045	M3 x 45 Screw
18	See Pg. 3-60	Right Slide Plate	57	08.6012.3.060	M3 x60 Screw
19	08.6032.4.008	M4 x 8 Screw	58	12.0008.3.003	Connector
20	46.1001.4.032	Holding Pin	59	08.6722.8.000	M8 Nut
21	39.0033.2.000	Slide Plate Holder	62	17.0019.0.633	Washer
22	08.6802.3.000	Washer	64	08.6032.3.010	M3 x 10 Screw
23	08.6702.2.100	M12 Nut	65	12.0008.3.018	Air Tubing
24	46.1001.5.223	Nut	66	12.0008.3.090	Connector
25	39.0026.0.001	Spring	67	12.0008.3.100	Cylinder
26	39.0082.4.004	Cylinder Holder	68	12.0008.3.062	Speed Control
27	08.6012.3.055	M3 x 55 Screw	69	08.6702.6.000	M6 Nut
28	48.1125.5.505	Plate	70	08.6000.4.025	M4 x 25 Screw
29	48.1125.5.506	Plate Support	71	08.6852.4.000	Washer
30	39.0012.0.003	M6 x7 Screlv	72	08.6702.4.000	M4 Nut
31	08.6142.8.040	M8 x 40 Screw	73	08.6000.4.008	M4 x 8 Screw
32	48.1125.5.507	Nut Plate	74	08.6676.4.025	M4 x 25 Screw
33	39.0082.4.005	Washer	75	12.0008.3.029	Connector
34	08.6802.8.000	Spring Washer	76	39.0096.3.000	Non Sliding Tape

CENTER KNIFE, UPPER/LOWER THREAD TRIMMING



CENTER KNIFE, UPPER/LOWER THREAD TRIMMING

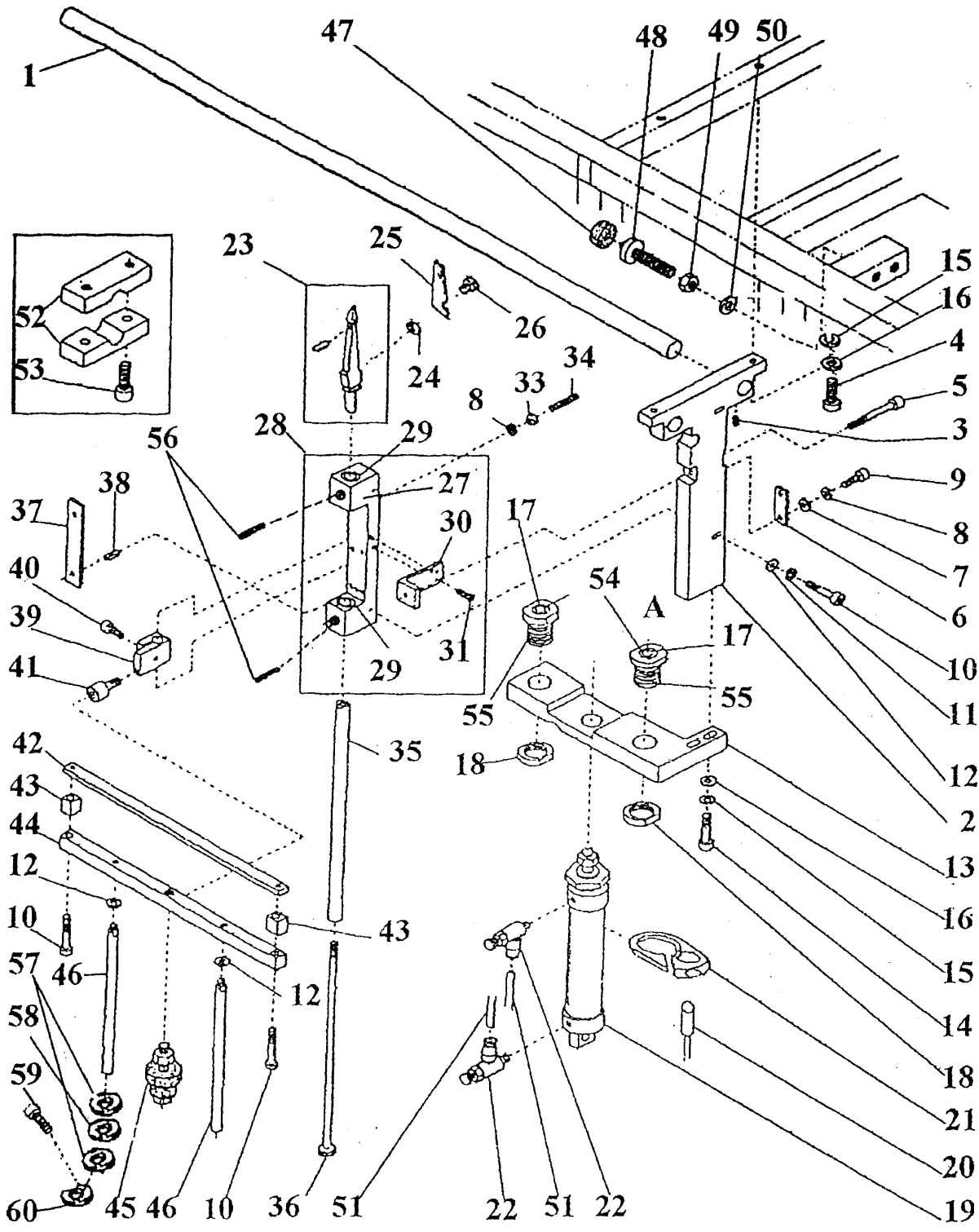
DET	PART NUMER	DESCRIPTION	DET	PART NUMER	DESCRIPTION
01	39.0083.6.004	Cylinder Support	46	See Pg. 3-58	Throat Plate
02	08.6000.5.012	Screw	47	46.1000.9.127	Screw
03	08.6802.5.000	Spring Washer	48	46.1000.9.142	Screw
04	08.6852.5.000	Washer	49	48.1125.5.594	Lower Knife
05	12.0008.3.053	Cylinder	50-1	46.1000.1.613	Screw
08	12.0008.3.029	Connector	50-2	39.0012.6.000	Screw (Metric)
09	12.0008.3.042	Universal Joint	51	See Pg. 3-59	Right Hand Fixed Knife
10	39.0034.0.000	Shaft	52	See Pg. 3-59	Left Hand Fixed Knife
11	39.0013.2.000	Screw	53-1	46.1000.4.404	Screw
12	39.0003.9.003	Mount Block	53-2	08.6012.7.006	Screw (Metric)
13	See Pg. 3-58	Thread Pick-up	54	39.0082.4.006	Cylinder Support
14	See Pg. 3-61	Right Hand Thread Holder	55	39.0012.0.000	Screw
15	See Pg. 3-61	Left Hand Thread Holder	56	08.6852.4.000	Washer
16	48.1125.5.432	Pin	57	39.0041.0.003	Spacer
17	08.6400.3.003	Screw	58	39.0083.6.005	Support Plate
18	46.1001.4.577	Press Pin	59	39.0012.0.001	Screw
19	46.1001.4.573	Thread Holder Pin	60	39.0013.1.000	Knife Holder
20	See Pg. 3-61	Trim Blade	61	17.0013.7.013	Screw
21	08.6012.3.006	Screw	62	08.6710.6.000	Nut
22	39.0008.3.003	Cylinder	63	See Pg. 3-58	Movable Knife
23	39.0064.5.001	Cylinder Support	64	17.0012.0.423	Screw
24	08.6000.6.040	Screw	65	12.0008.3.040	Knuckle
26	12.0008.4.100	Cord Clamp	66	46.1001.4.502	Collar
27	08.6852.4.000	Washer	67	08.6400.4.004	M4 x 4 Screw
28	08.6802.4.000	Spring Washer	68	39.0008.3.001	Cylinder
29	08.6032.4.010	Screw	69	39.0004.7.001	Cylinder Support
30	39.0008.3.002	Cylinder	70	46.1000.9.200	Screw
31	08.6000.8.045	Screw	71	12.0008.3.018	Air Tubing
32	08.6852.8.000	Washer	72	46.1001.4.579	Rubber Shaft Cover
33	08.6802.8.000	Spring Washer	73	12.0008.3.003	Connector
34	08.6702.8.000	Nut	74	08.6000.4.012	M4 x12 Screw
35	12.0008.3.030	Connector	79	08.6702.4.000	M4 Nut
36	12.0008.3.039	Rod End	80	17.0027.4.100	Retaining Washer for Shaft
37	08.6000.6.020	Screw	82	39.0082.4.007	Sensor Holder
38	39.0041.0.002	Spacer	84	08.6852.4.000	M4 Washer
39	39.0033.5.000	Moving Lever	85	08.6802.4.000	M4 Washer
40	39.0064.8.000	Adjusting Block	86	08.6032.4.030	M4 x 30 Screw
41	08.6000.4.008	Screw	87	12.0008.4.101	Cord Clamp
42	39.0064.5.002	Center Knife Holder	88	08.6852.4.000	M4 Washer
43	48.1125.5.721	Center Knife	89	08.6032.4.008	M4 x 8 Screw
44	08.6852.3.000	Washer	90	12.0008.4.031	Sensor
45	08.6000.3.005	Screw	91	39.0026.0.002	Return Spring

Revised 01/2001

e-mail: service@amfreece.cz; parts@amfreece.cz; website: www.amfreece.com

Phones: +420 582 309 146 (Service), +420 582 309 236 (Spare Parts), Fax: +420 582 360 606

TAB KNIFE SUPPORT



TAB KNIFE SUPPORT

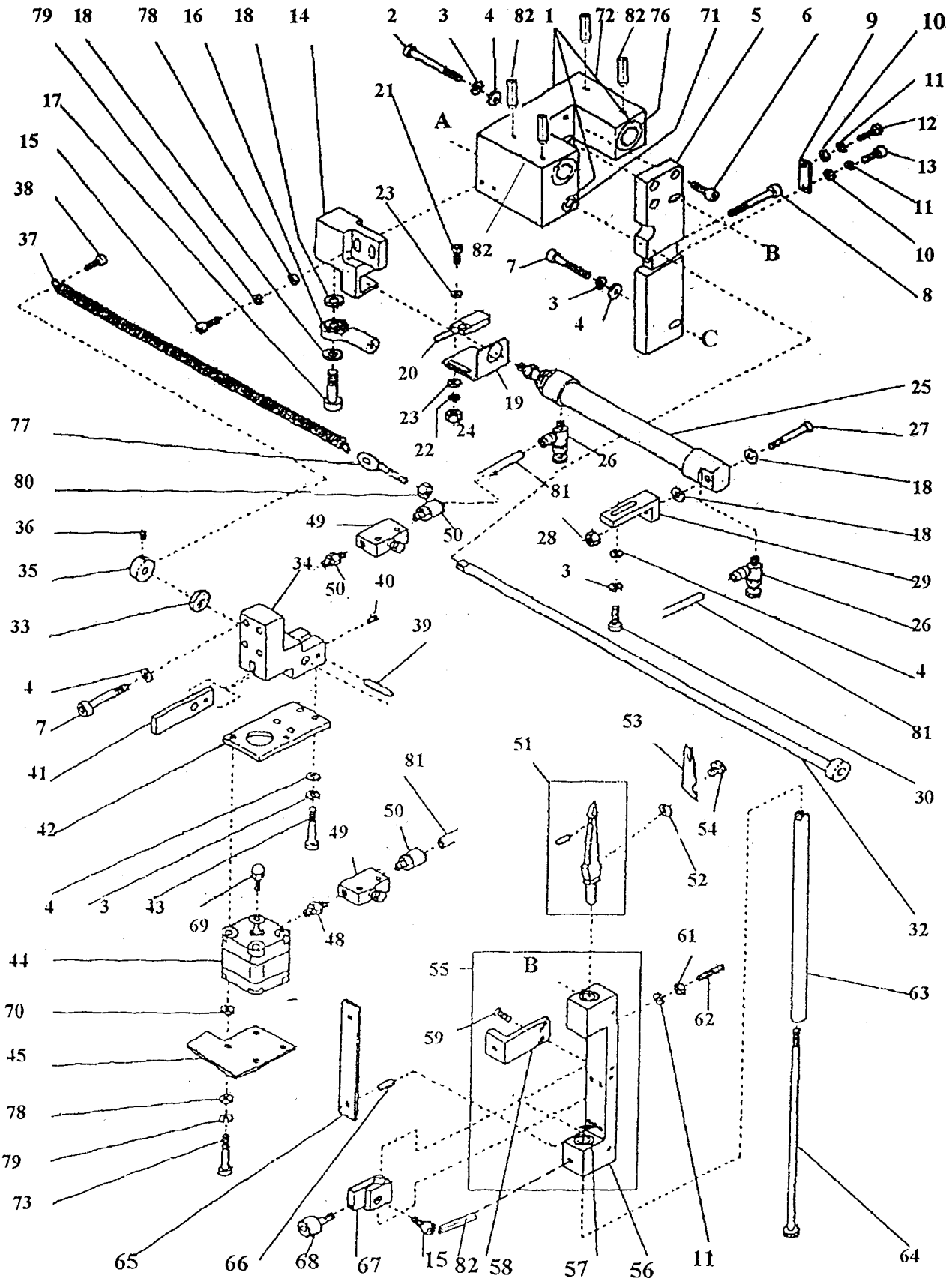
DET	PART NUMER	DESCRIPTION	DET	PART NUMER	DESCRIPTION
01	48.1125.5.421	Slide Shaft	30	39.0082.4.008	Adjusting Piece
02	39.0064.5.003	Shaft Holder	31	08.6132.3.012	M3 x 12 Screw
03	08.6400.6.010	M6 x 10 Screw	33	08.6702.4.000	Nut
04	08.6000.8.030	M8 x 30 Screw	34	08.6410.4.020	M4 x20 Screw
05	39.0012.9.000	Screw	35	46.1001.5.240	Tab Knife Shaft
06	46.1001.4.129	Plate	36	46.1001.5.243	Lock Screw
07	08.6852.4.000	Washer	37	39.0081.3.001	Spacer
08	08.6802.4.000	Spring Washer	38	12.1014.0.001	Spring Pin
09	08.6000.4.010	M4 x 10 Screw	39	39.0064.5.048	Shaft Holder
10	08.6000.6.035	M6 x 35 Screw	40	08.6000.5.016	M5 x 16 Screw
11	08.6802.6.000	Spring Washer	41	12.2020.0.000	Bearing
12	08.6852.6.000	Washer	42	39.0081.3.002	Upper Lifting Guide
13	46.1001.4.711	Cylinder Holder	43	39.0064.5.008	Lifting Guide Spacer
14	08.6000.8.035	M8 x 35 Screw	44	39.0064.7.000	Lower Lifting Guide
15	08.6802.8.000	Spring Washer	45	12.0008.3.041	Universal Joint
16	08.6852.8.000	Washer	46	39.0034.9.000	Guide Shaft
17	39.0004.6.000	Guide Bushing	47	46.1001.4.143	Rubber Cushion
18	39.0016.7.000	Nut	48	48.1019.0.026	Bolt
19	12.0008.3.058	Cylinder	49	08.6702.0.000	Nut
20	12.0008.3.043	Sensing Switch	50	08.6852.0.000	Washer
21	12.0008.3.016	Band	51	12.0008.3.018	Air Tubing
22	12.0008.3.014	Speed Control	52	46.1001.4.613	Shipping Lock
23	See Pg. 3-58	Tab Knife Support	53	08.6000.6.030	M6 x 30 Screw
24	39.0019.0.002	Washer	54	12.2070.0.001	Bearing
25-1	48.1125.5.303	Tab Knife	55	39.0043.3.000	Bushing
25-2	48.1001.5.289	Tab Knife (Steel)	56	08.6430.4.006	M4 x 6 Screw
26	39.0013.2.001	Screw	57	17.0019.0.659	Washer
27	39.0004.6.001	Front Tab Finger Holder	58	46.1001.4.120	Rubber Cushion
28	39.0064.5.006	Rear Tab Finger Holder	59	08.6000.4.012	Screw M4 x 12
29	12.2070.0.000	Bearing	60	17.0043.6.057	Collar

Revised 01/2001

e-mail: service@amfreece.cz; parts@amfreece.cz; website: www.amfreece.com

Phones: +420 582 309 146 (Service), +420 582 309 236 (Spare Parts); Fax: +420 582 360 606

TAB KNIFE DRIVE



Revised 01/2001

TAB KNIFE DRIVE

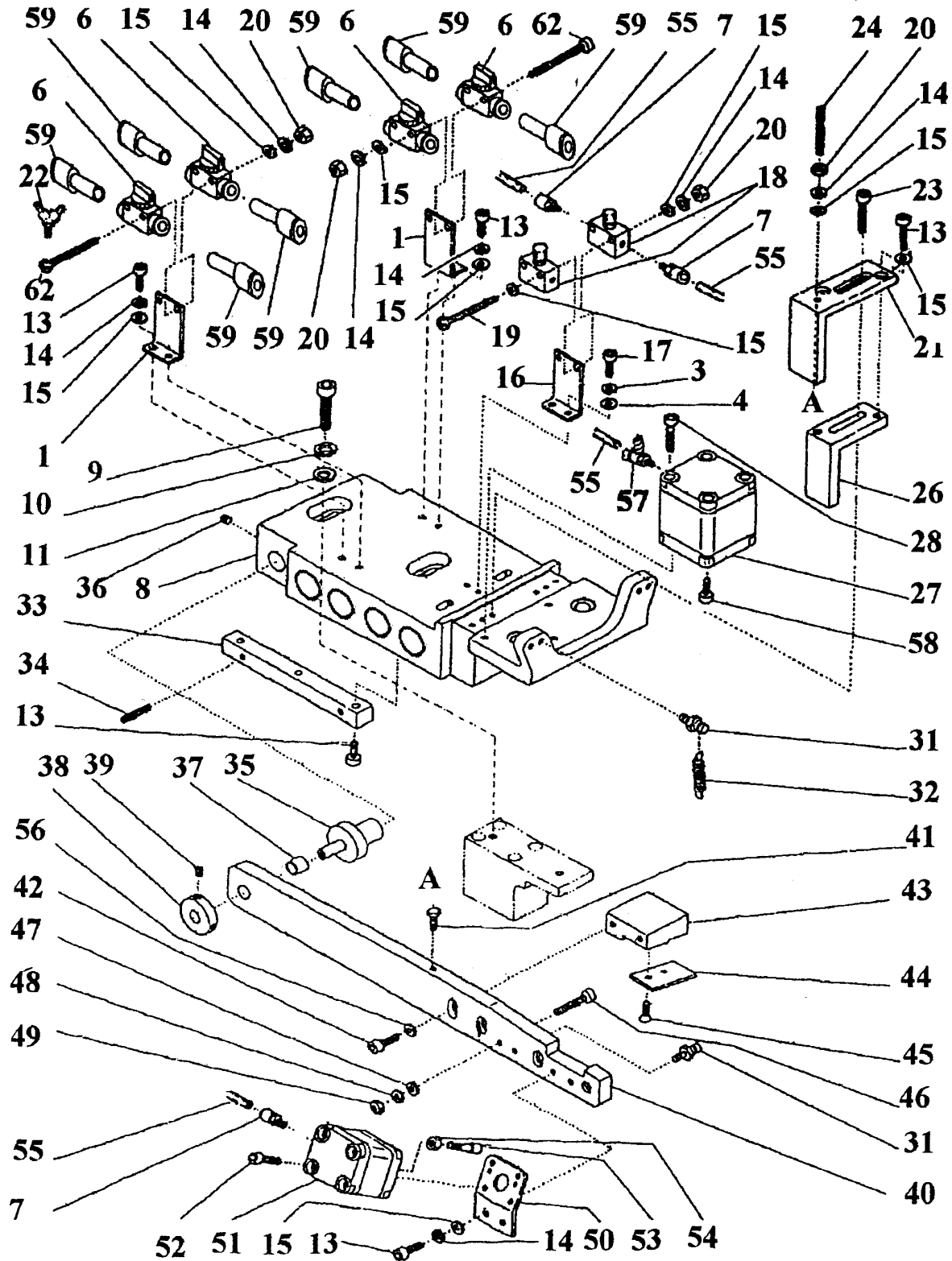
DET	PART NUMER	DESCRIPTION	DET	PART NUMER	DESCRIPTION
01	39.0004.6.003	Slide Unit	41	39.0064.5.010	Clamp Plate
02	08.6000.6.065	Screw	42	39.0082.4.009	Clamp Cylinder Support
03	08.6800.6.000	Spring Washer	43	08.6000.6.016	M6 x 16 Screw
04	08.6852.6.000	Washer	44	12.0008.3.065	Cylinder
05	39.0064.5.009	Block	45	39.0082.4.010	Metal Sensing Switch
06	08.6000.6.020	M6 x 20 Screw	48	12.0008.3.067	Nipple
07	08.6000.6.030	M6 x 30 Screw	49	12.0008.3.061	Speed Control
08	39.0012.9.000	Screw	50	12.0008.3.103	Connector
09	46.1001.4.129	Plate	51	See Pg. 3-58	Tab Knif
10	08.6852.4.000	Washer	52	39.0019.0.002	Washer
11	08.6802.4.000	Spring Washer	53-1	48.1125.5.303	Tab Knife
12	08.6032.4.010	M4 x 10 Screw	53-2	48.1001.5.289	Tab Knife (Steel)
13	08.6000.4.010	M4 x 10 Screw	54	39.0013.2.001	Screw
14	48.1125.5.853	Block	55	39.0004.6.002	Rear Tab Finger Holder
15	08.6000.5.016	M5 x 16 Screw	56	39.0064.5.006	Front Tab Filger Holder
16	12.0008.3.039	Rod End	57	12.2070.0.000	Bearing
17	08.6000.8.025	M8 x 25 Screw	58	39.0082.4.008	Adjusting Piece
18	08.6852.8.000	Washer	59	08.6132.3.012	M3 x 12 Screw
19	39.0083.6.006	Switch Support	61	08.6702.4.000	Nut
20	12.0008.4.032	Sensing Switch	62	08.6410.4.020	M4 x 20 Screw
21	08.6000.3.016	M3 x 16 Screw	63	46.1001.5.240	Tab Knife Shaft
22	08.6802.3.000	Spring Washer	64	46.1001.5.243	Lock Screw
23	08.6852.3.000	Washer	65	39.0081.3.001	Spacer
24	08.6702.3.000	Nut	66	12.1014.0.001	Spring Pin
25	12.0008.3.056	Cylinder	67	39.0064.5.007	Rear Shaft Holder
26	12.0008.3.014	Speed Control	68	12.2020.0.000	Bearing
27	08.6000.8.035	M8 x 35 Screw	69	39.0015.2.000	Screw
28	08.6702.8.000	Nut	70	17.0019.0.379	Washer
29	48.1125.5.443	Cylinder Support	71	39.0041.0.004	Bushing
30	08.6000.6.025	Screw	72	39.0064.5.046	Block
32	48.1125.5.409	Shaft	73	08.6000.5.070	Screw
33	39.0094.1.000	Rubber Cushion	76	12.2070.0.002	Bearing
34	48.1125.5.849	Cylinder Holder	77	39.0027.2.000	Eye Bolt
35	46.1001.4.119	Collar	78	08.6852.5.000	Washer
36	08.6400.6.006	M6 x 6 Screw	79	08.6802.5.000	Washer
37	46.1001.4.108	Clamp Shaft Spring	80	08.6702.6.000	Nut
38	08.6000.6.010	M6 x 10 Screw	81	12.0008.3.018	AirTubing
39	46.1001.4.117	Shaft Holder	82	08.6430.4.006	M4 x 6 Screw
40	08.6400.4.006	M4 x 6 Screw			

Revised 01/2001

 e-mail: service@amfreece.cz; parts@amfreece.cz; website: www.amfreece.com

Phones: +420 582 309 146 (Service), +420 582 309 286 (Spare Parts); Fax: +420 582 360 606

CARRIAGE ASSEMBLY



CARRIAGE ASSEMBLY

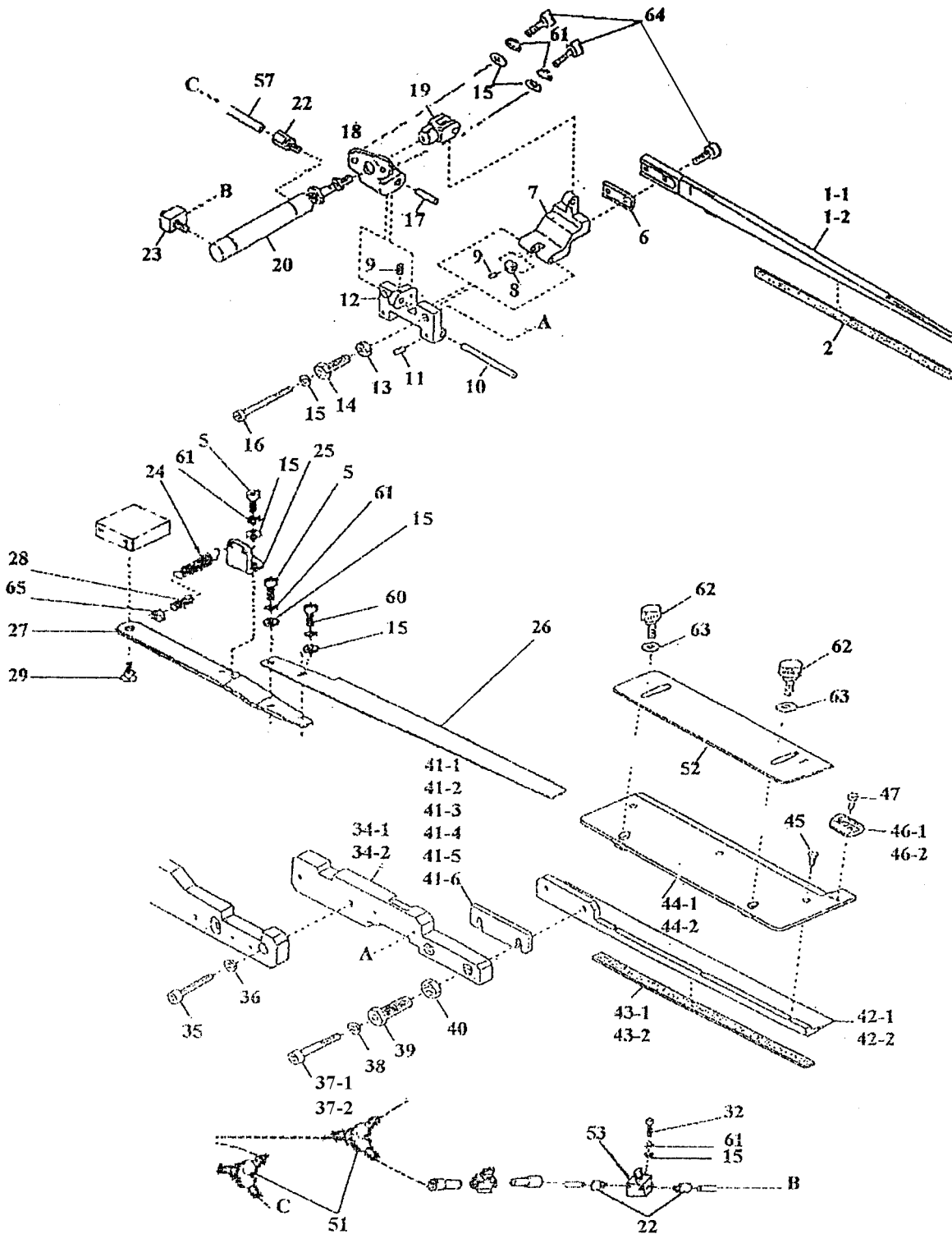
DET	PART NUMER	DESCRIPTION	DET	PART NUMER	DESCRIPTION
01	39.0083.6.007	Manifold	36	08.6400.6.010	M6 x 10 Screw
03	08.6802.3.000	Spring Washer	37	46.1001.4.654	Bushing
04	08.6852.3.000	Washer	38	46.1001.4.592	Collar
06	12.0008.3.028	Valve	39	08.6400.4.010	M4 x 10 Screw
07	12.0008.3.103	Connector	40-1	46.1001.4.639	Right Hand Clamp Arm
08	39.0064.5.011	Carriage Block	40-2	46.1001.4.638	Left Hand Clamp Arm
09	08.6000.0.055	Screw	41	08.6312.4.010	M4 x 10 Screw
10	08.6802.0.000	Spring Washer	42	08.6000.6.016	M6 x 16 Screw
11	08.6852.0.000	Washer	43-1	39.0064.8.009	Left Hand Support
13	08.6000.4.010	M4x 10 Screw	43-2	39.0064.8.008	Right Hand Support
14	08.6802.4.000	Spring Washer	44-1	39.0082.4.059	Left Hand Plate
15	08.6852.4.000	Washer	44-2	39.0082.4.060	Right Hand Plate
16	39.0083.6.008	Support	45	08.6142.4.010	M4 x 10 Screw
17	08.6000.3.010	M3 x 10 Screw	46	39.0012.0.006	Screw
18	12.0008.3.061	Speed Control	47	08.6852.6.000	Washer
19	08.6032.4.035	M4 x 35 Screw	48	08.6802.6.000	Spring Washer
20	08.6702.4.000	Nut	49	08.6702.6.000	Nut
21	46.1001.4.598	Upper Positioner	50	39.0082.4.058	Cylinder Bracket
22	12.0008.3.090	Connector	51	12.0008.3.242	Cylinder
23	08.6000.4.020	Screw	52	08.6000.4.025	M4 x 25 Screw
24	08.6400.4.030	M4 x 30 Screw	53	39.0015.2.001	Screw
26	46.1001.4.599	Lower Positioner	54	08.6702.5.000	Nut
27	12.0008.3.064	Cylinder	55	12.0008.3.018	Air Rubing
28	08.6000.5.070	M5 x 70 Screw	56	08.6862.6.000	Washer
31	46.1000.6.183	Screw	57	12.0008.3.014	Speed Control
32	46.1001.4.030	Clamp Foot Spring	58	39.0015.2.002	Screw
33	46.1001.4.005	Adjustment Block	59	12.0008.3.004	Connector
34	08.6400.5.030	M5 x30 Screw	62	08.6032.4.040	M4x40 Screw
35	39.0033.5.002	Clamp Foot Shaft			

Revised 01/2001

e-mail: service@amfreece.cz; parts@amfreece.cz; website: www.amfreece.com

Phones: +420 582 309 146 (Service), +420 582 309 236 (Spare Parts); Fax: +420 582 360 606

CLAMPING & FOLDING



CLAMPING & FOLDING

DET	PART NUMER	DESCRIPTION	DET	PART NUMER	DESCRIPTION
01-1	39.0064.5.041	Flap Clamp Arm Left	34-1	39.0064.5.040	Connecting Arm Right
01-2	39.0064.5.042	Flap Clamp Arm Right	34-2	39.0064.5.039	Connecting Arm Left
02	38.1001.4.590	Flap Clamp Foot Rubber	35	08.6000.6.016	M6 x 16 Screw
05	08.6000.4.008	M4-8 Screw	36	08.6862.6.000	Washer
06	39.0064.5.038	Flap Clamp Spacer	37-1	08.6000.6.045	Screw M6 x 45
07	39.0063.5.000	Flap Holder	37-2	08.6000.6.050	Screw M6 x 50
08	39.0043.6.005	Flap Holder Collar	38	08.6852.6.000	Washer
09	08.6410.3.003	M3 x 3 Screw	39	48.1019.0.042	Screw
10	39.0031.0.000	Flap Holder Shaft	40	46.1000.6.185	Nut
11	08.6410.4.006	M4 x 6 Screw	41	See Page 3-60	Spacer
12	39.0063.5.001	Flap Holder Bracket	42-1	39.0064.5.054	Right Hand Clamp Foot
13	08.6712.8.000	Nut 8	42-2	39.0064.5.055	Left Hand Clamp Foot
14	39.0014.6.001	M8x19 Screw	43-1	46.1001.4.589	Clamp Foot Rubber 3.5 mm
15	08.6852.4.000	Washer	43-2	48.1125.5.960	Clamp Foot Rubber 6mm
16	08.6000.4.035	M4 x 35 Screw	44-1	39.0004.7.005	Left Hand Plate
17	39.0031.0.001	Bracket Shaft	44-2	39.0004.7.006	Right Cover Plate
18	39.0063.5.002	Cylinder Bracket	45	08.6100.4.008	Screw
19	12.0008.3.102	Knuckle	46-1	39.0064.5.037	Left Stop Guide
20	12.0008.3.101	Cylinder	46-2	39.0064.5.036	Right Stop Guide
22	12.0008.3.003	Connector	47	39.0012.0.002	M3 x 2,5 Screw
23	12.0008.3.029	Connector	51	12.0008.3.031	Connector
24	12.3011.0.003	Return Spring	52	39.0082.4.049	Flap Gauge
25	39.0083.6.009	Bracket	53	12.0008.3.061	Speed Control
26-1	39.0081.0.004	Right Hand Brush Blade	57	12.0008.3.018	Air Tubing
26-2	39.0081.0.003	Left Hand Brush Blade	60	08.6200.4.006	M4 x 6 Screw
27-1	39.0082.2.001	Left Hand Arm	61	08.6802.4.000	Spring Washer 4 x 1
27-2	39.0082.2.002	Right Hand Arm	62	39.0013.3.000	M3 x 10 Screw
28	39.0015.4.000	Screw	63	08.6852.3.000	Washer
29	39.0014.3.000	Screw	64	08.6000.4.012	Screw M4 x 12
32	08.6012.4.065	M4 x 65 Screw	65	08.6702.4.000	Nut M4

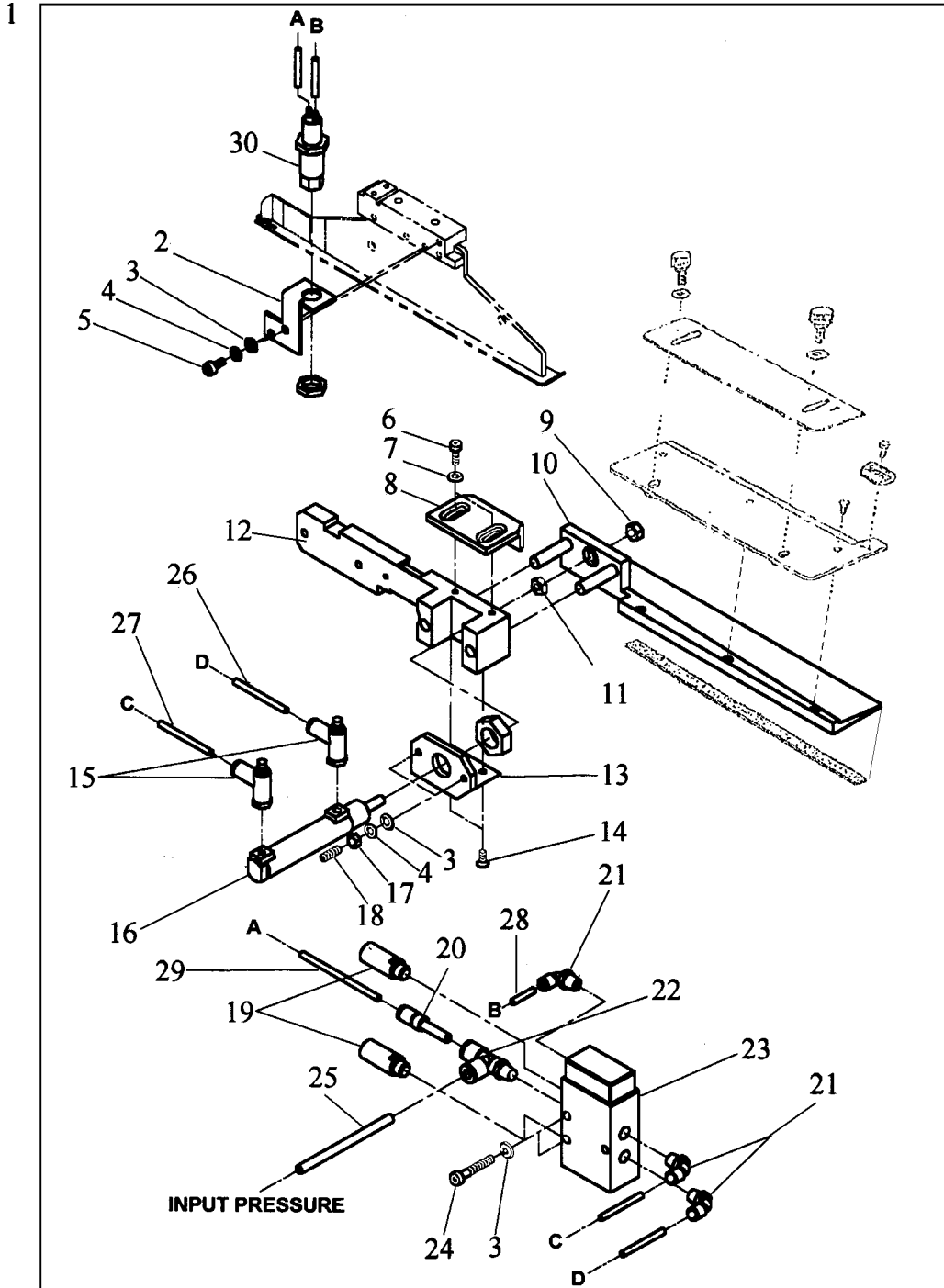
Revised 01/2001

e-mail: service@amfreece.cz; parts@amfreece.cz; website: www.amfreece.com

Phones: +420 582 309 146 (Service), +420 582 309 236 (Spare Parts); Fax: +420 582 360 606

QUICK CHANGE KIT

SPECIAL APPLICATION ATTACHMENTS
See Page 3-38



QUICK CHANGE KIT

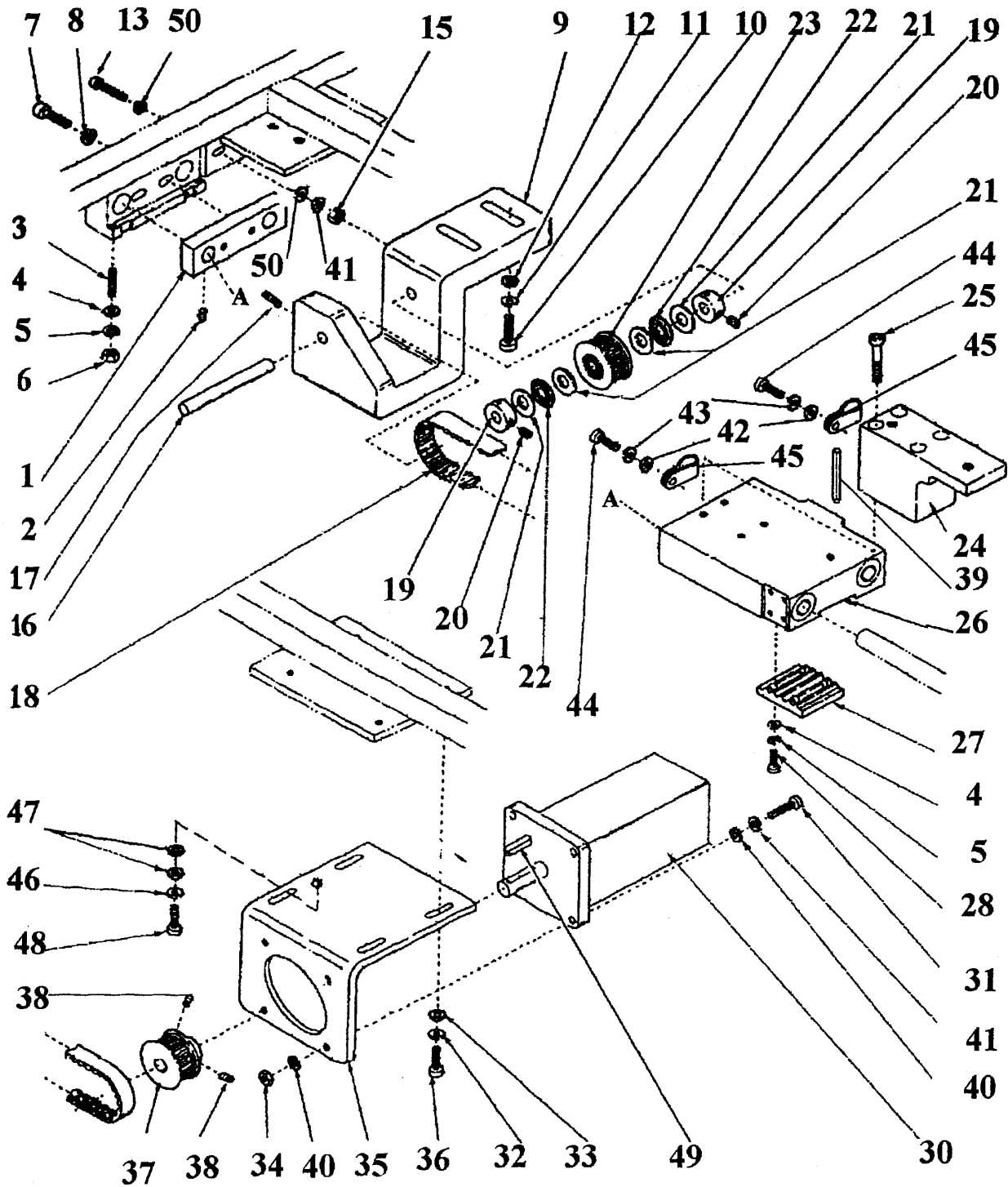
DET	PART NUMER	DESCRIPTION
01-1	39.0008.8.020	Quick Change Kit Left
01-2	39.0008.8.021	Quick Change Kit Right
02	39.0082.4.057	Holder
03	08.6852.5.000	Washer
04	08.6852.5.000	Spring Washer
05	08.6000.5.010	Screw M5-10
06	08.6000.4.012	Screw M4-12
07	08.6852.4.000	Washer
08	39.0064.5.050	Stop
09	08.6702.6.000	Nut
10-1	39.0005.3.001	Hand Clamp Foot Left
10-2	39.0005.3.002	Hand Clamp Foot Left
11	08.6712.6.000	Nut
12-1	39.0064.5.053	Connecting Arm Left
12-2	39.0064.5.058	Connecting Arm Right
13-1	39.0064.5.051	Cylinder Holder Left
13-2	39.0064.5.056	Cylinder Holder Left
14	08.6100.4.010	Screw M4-10
15	12.0008.3.062	Speed Control
16	39.0008.3.005	Cylinder
17	08.6702.5.000	Nut
18	08.6400.5.016	Screw M5-16
19	12.0008.3.201	Scilencer
20	12.0008.3.004	Connector
21	12.0008.3.030	Connector
22	12.0008.3.026	Connector
23	12.0008.3.203	Pneumatic Valve
24	08.6000.5.030	Screw M5-30
25	0	Air Tubing
26	0	Air Tubing
27	0	Air Tubing
28	0	Air Tubing
29	0	Air Tubing
30	12.0008.3.202	Pneumatic Valve

Revised 01/2001

e-mail: service@amfreece.cz; parts@amfreece.cz; website: www.amfreece.com

Phones: +420 582 309 146 (Service), +420 582 309 286 (Spare Parts); Fax: +420 582 360 606

CARRIAGE DRIVE



CARRIAGE DRIVE

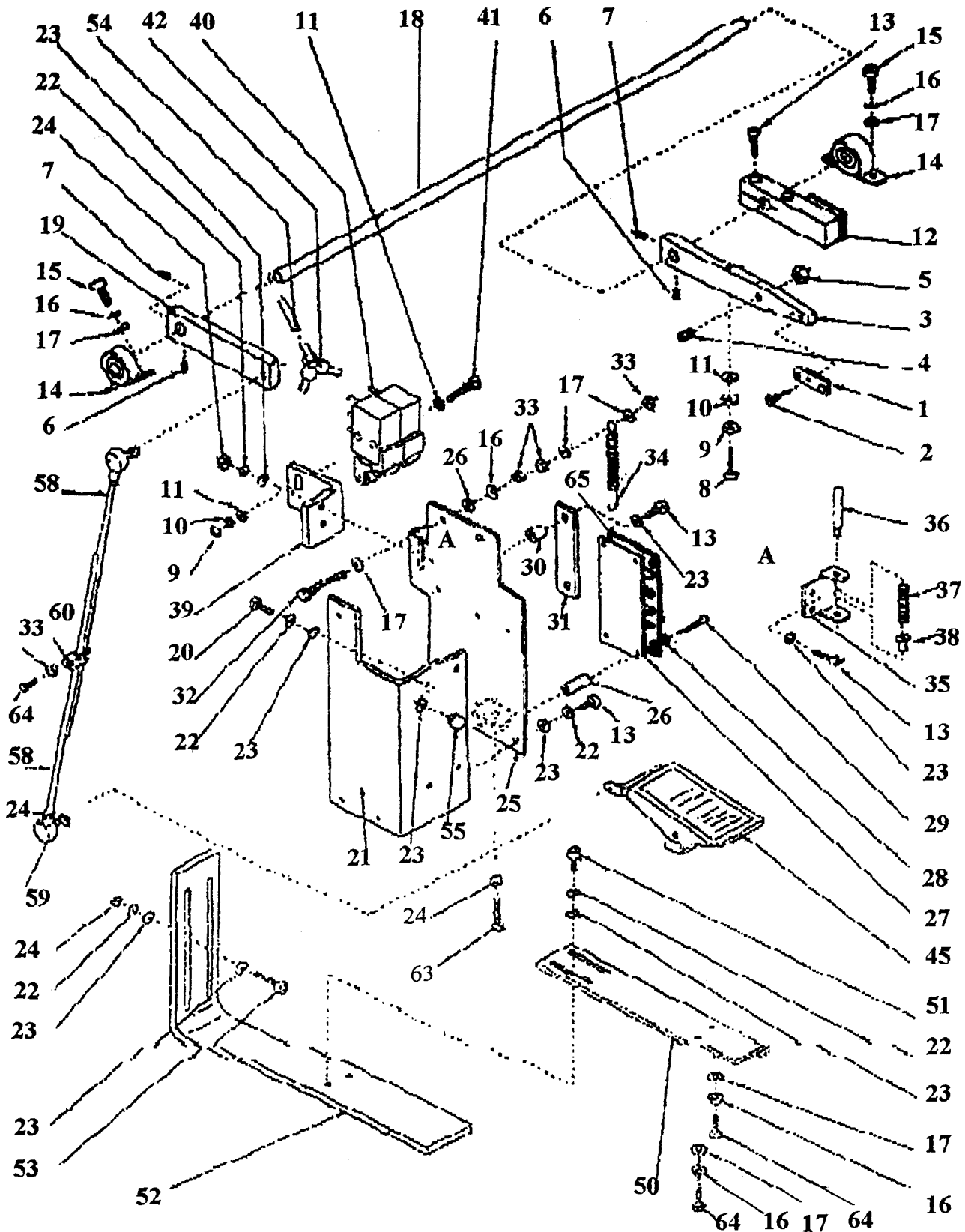
DET	PART NUMER	DESCRIPTION
01	46.1001.4.101	Holder
02	08.6400.6.006	M6 x 6 Screw
03	08.6400.5.030	M5 x 30 Screw
04	08.6852.5.000	Washer
05	08.6802.5.000	Spring Washer
06	08.6702.5.000	Nut
07	08.6000.8.040	M8 x 40 Screw
08	08.6852.8.000	Washer
09	39.0064.5.014	Sub-Pulley Holder
10	08.6000.0.045	Screw
11	08.6802.0.000	Washer
12	08.6852.0.000	Spring Washer
13	08.6000.6.045	M6 x 45 Screw
15	08.6702.6.000	Nut
16	48.1125.5.416	Sub-Pulley Shaft
17	08.6400.6.010	M6 x 10 Screw
18	39.0094.0.001	Carriage Belt
19	39.0043.6.003	Collar
20	08.6400.6.006	M6 x 6 Screw
21	12.2060.0.001	Spacer
22	12.2060.0.000	Thrust Bearing
23	39.0004.5.000	Sub-Pulley
24	39.0064.5.015	Block
25	08.6000.8.055	M8 x 55 Screw
26	39.0004.6.004	Slide Unit
27	12.0008.6.509	Belt Clamp
28	08.6000.5.025	M5 x 25 Screw
30	39.0009.1.002	Drive Motor
31	08.6000.6.025	M6 x 25 Screw
33	08.6802.8.000	Spring Washer
34	08.6702.6.000	Nut
35	39.0004.8.009	Motor Bracket
36	08.6000.8.025	M8 x 25 Screw
37	39.0055.4.001	Main Pulley
38	08.6400.5.006	M5 x 6 Screw
39	08.6430.4.006	M4 x 6 Screw
40	08.6852.6.000	Washer
41	08.6802.6.000	Spring Washer
42	08.6852.4.000	Washer
43	08.6802.4.000	Spring Washer
44	08.6032.4.010	M4 x 10 Screw
45	12.0008.4.089	Cord Clamp
46	08.6874.6.000	Washer
47	08.6832.6.000	Washer
48	08.6314.6.010	M6 x 10 Screw
49	12.4030.0.001	Round Ender
50	08.6812.6.000	Washer

Revised 01/2001

e-mail: service@amfreece.cz; parts@amfreece.cz; website: www.amfreece.com

Phones: +420 582 309 146 (Service), +420 582 309 236 (Spare Parts); Fax: +420 582 360 606

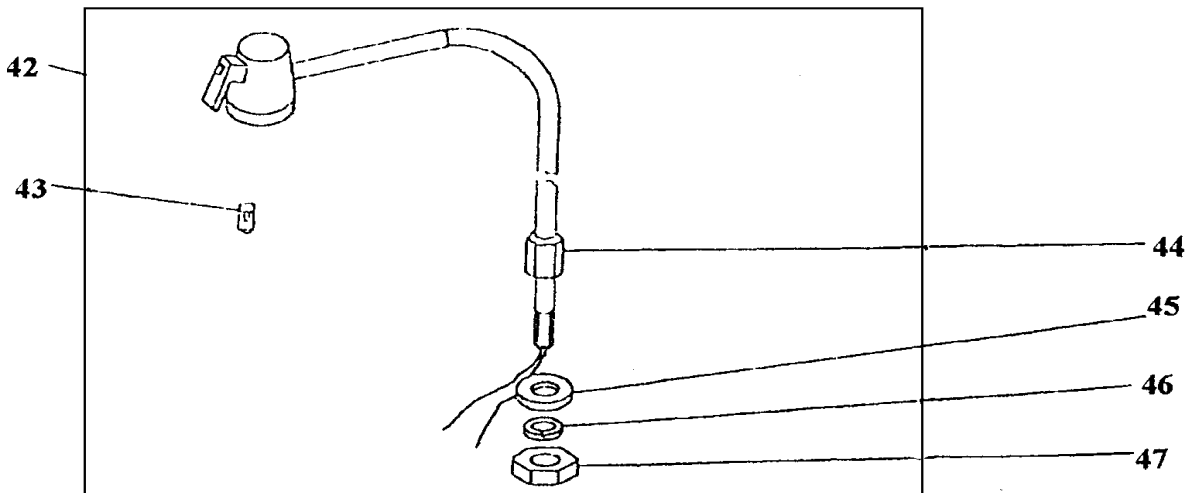
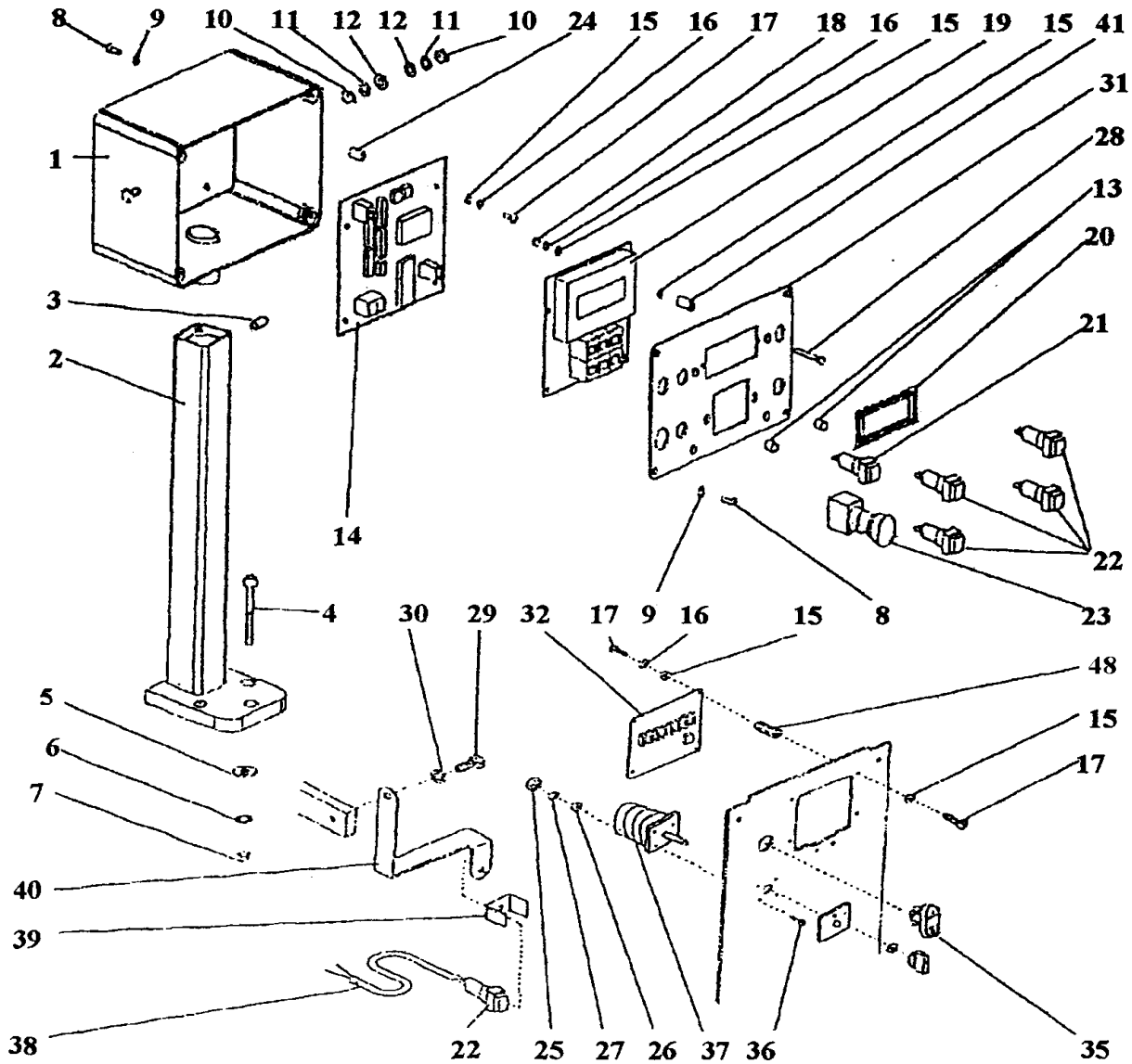
FOOT TREADLE PARTS



FOOT TREADLE PARTS

DET	PART NUMER	DESCRIPTION	DET	PART NUMER	DESCRIPTION
01	39.0003.9.002	Magnet Unit	29	08.6032.3.020	M3 x 20 Screw
02	08.6332.3.010	M3 x 10 Screw	30	39.0041.0.006	Spacer
03	39.0061.2.001	Magnet Holder	31	39.0064.7.001	Plate
04	46.1001.4.725	Spring Plunger	32	08.6312.8.050	M8 X 80 Screw
05	08.6712.0.000	M10 Nut	33	08.6702.8.000	M8 Nut
06	08.6420.5.008	M5 x 8 Screw	34	39.0026.3.001	Spring
07	08.6400.5.006	M5 x 6 Screw	35	46.1001.4.759	Stop Spring Bracket
08	08.6032.4.040	M4 x 40 Screw	36	46.1001.4.756	Stop Pin
09	08.6702.4.000	M4 Nut	37	46.1001.4.760	Stop Spring
10	08.6802.4.000	Spring Washer	38	46.1001.4.761	Upper Stop
11	08.6852.4.000	Washer	39	39.0083.6.011	Limit Valve Support
12	39.0061.3.000	Lower Stop	40	12.0008.3.084	Microswitch
13	08.6000.6.020	Mé x 20 Screw	41	08.6032.4.040	M4 x 40 Screw
14	12.2010.0.001	Shaft Bearing	42	12.0008.3.090	Connector
15	08.6000.8.020	M8 x 20 Screw	45	12.0008.6.503	Treadle
16	08.6802.8.000	Spring Winter	50	39.0004.8.011	Treadle Support
17	08.6852.8.000	Washer	51	08.6000.6.016	M6 x 16 Screw
18	39.0034.0.001	Upper Shaft	52	39.0083.6.012	Plate
19	46.1001.4.919	Lever	53	08.6000.6.050	M6 x 50 Screw
20	08.6000.6.018	M6 x 18 Screw	54	12.0008.3.018	Air Tubing
21	39.0083.6.010	Angle Plate	55	08.6722.6.000	M6 Nut
22	08.6802.6.000	Spring Washer	58	17.0038.1.087	Pitman Rod
23	08.6852.6.000	Washer	59	17.0004.2.056	Ball Joint
24	08.6702.6.000	M6 Nut	60	17.0083.9.175	Clamp
25	39.0004.8.010	Plate	63	08.6000.6.040	M6 x 40 Screw
26	39.0041.0.005	Spacer	64	08.6312.8.014	M8 x 14 Screw
27	12.0008.4.034	Treadle Switch Unit	65	39.0095.4.002	Sensors Cover
28	08.6852.3.000	Washer			

CONTROL PANEL



CONTROL PANEL

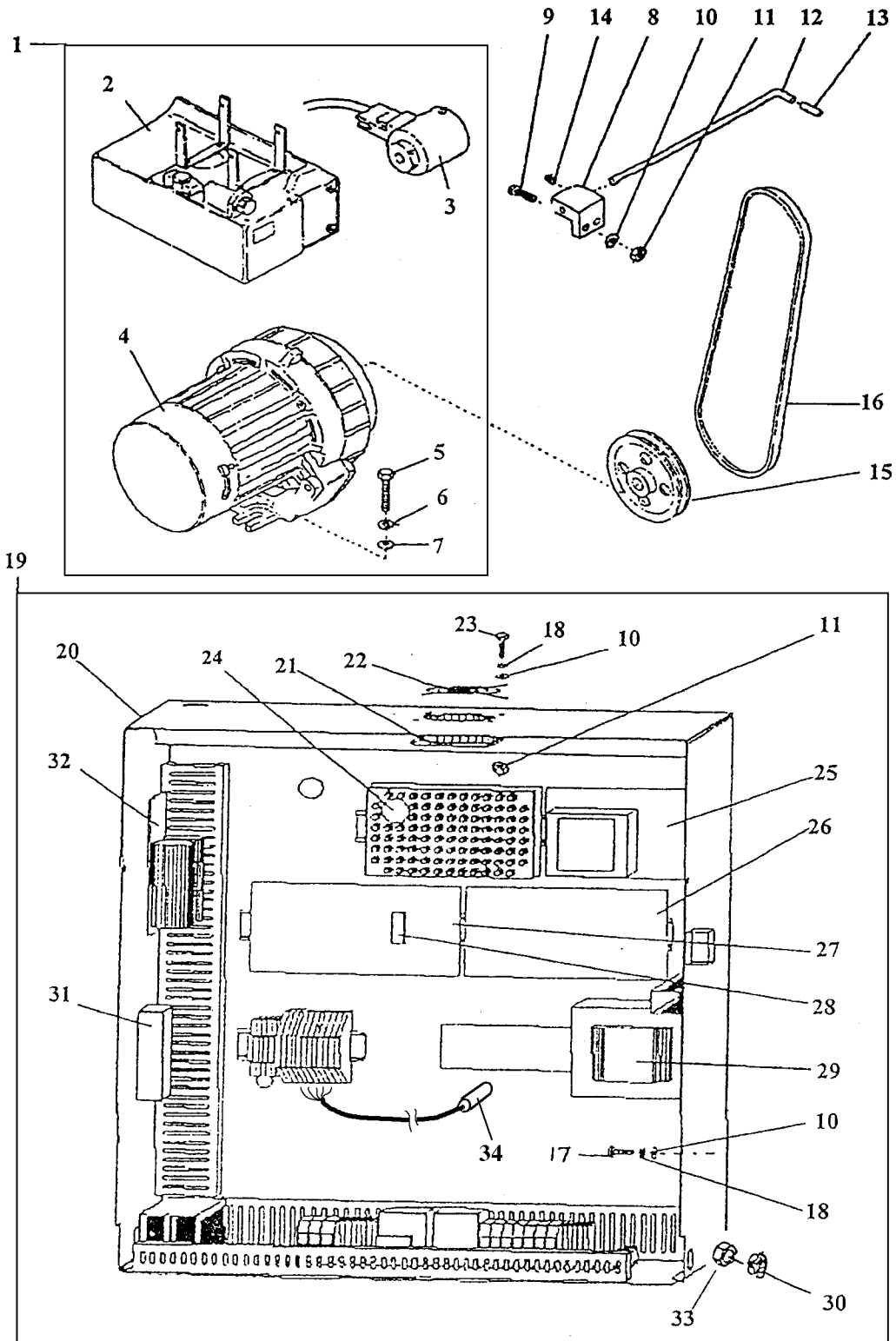
DET	PART NUMER	DESCRIPTION
01	39.0004.8.012	Control Box
02	39.0004.8.013	Control Box Holder
03	08.6400.6.010	M6 x 10 Screw
04	08.6000.6.045	M6 x 45 Screw
05	08.6812.6.000	Washer
06	08.6802.6.000	Spring Washer
07	08.6702.6.000	M6 Nut
08	08.6142.3.010	M3 x 10 Screw
09	08.6822.3.000	M3 Washer
10	08.6702.5.000	M5 Nut
11	08.6832.5.000	Serrated Lockwasher
12	08.6874.5.000	Washer
13	12.0008.4.011	LED Holder
14	12.0008.4.038	Data Board
15	08.6852.3.000	Washer
16	08.6802.3.000	Spring Washer
17	08.6032.3.008	M3 x 8 Screw
18	08.6702.3.000	M3 Nut
19	12.0008.4.036	Display Panel
20	12.0008.4.016	Display Panel Window
21	12.0008.4.012	Pushbutton Green
22	12.0008.4.013	Pushbutton Black
23	12.0008.4.028	Emergency Stop Switch
24	12.0008.4.104	Nut
25	08.6702.4.000	M4 Nut
26	08.6852.4.000	Washer
27	08.6802.4.000	Spring Washer
28	08.6142.3.020	M3 x 20 Screw
29	08.6312.8.014	M8 x 14 Screw
30	08.6802.8.000	Spring Washer
31	39.0081.6.000	Control Panel
32	12.0008.4.037	Front Switch Board
35	12.0008.4.030	Power Source Switch
36	08.6142.4.016	M4 x 16 Screw
37	12.0008.4.027	Main Power Switch
39	39.0083.1.009	Thumb Guard
40	39.0083.4.000	Start Switch Support
41	12.0008.4.103	Spacer
42	39.0009.1.000	Spotlight
43	12.0008.4.105	Light Bulb 12V 20W
44	39.0033.3.002	Screw
45	08.6852.0.000	Washer
46	08.6802.0.000	Spring Washer
47	17.0016.1.290	Nut
48	12.0008.4.426	Nut

Revised 01/2001

e-mail: service@amfreece.cz; parts@amfreece.cz; website: www.amfreece.com

Phones: +420 582 309 146 (Service), +420 582 309 236 (Spare Parts); Fax: +420 582 360 606

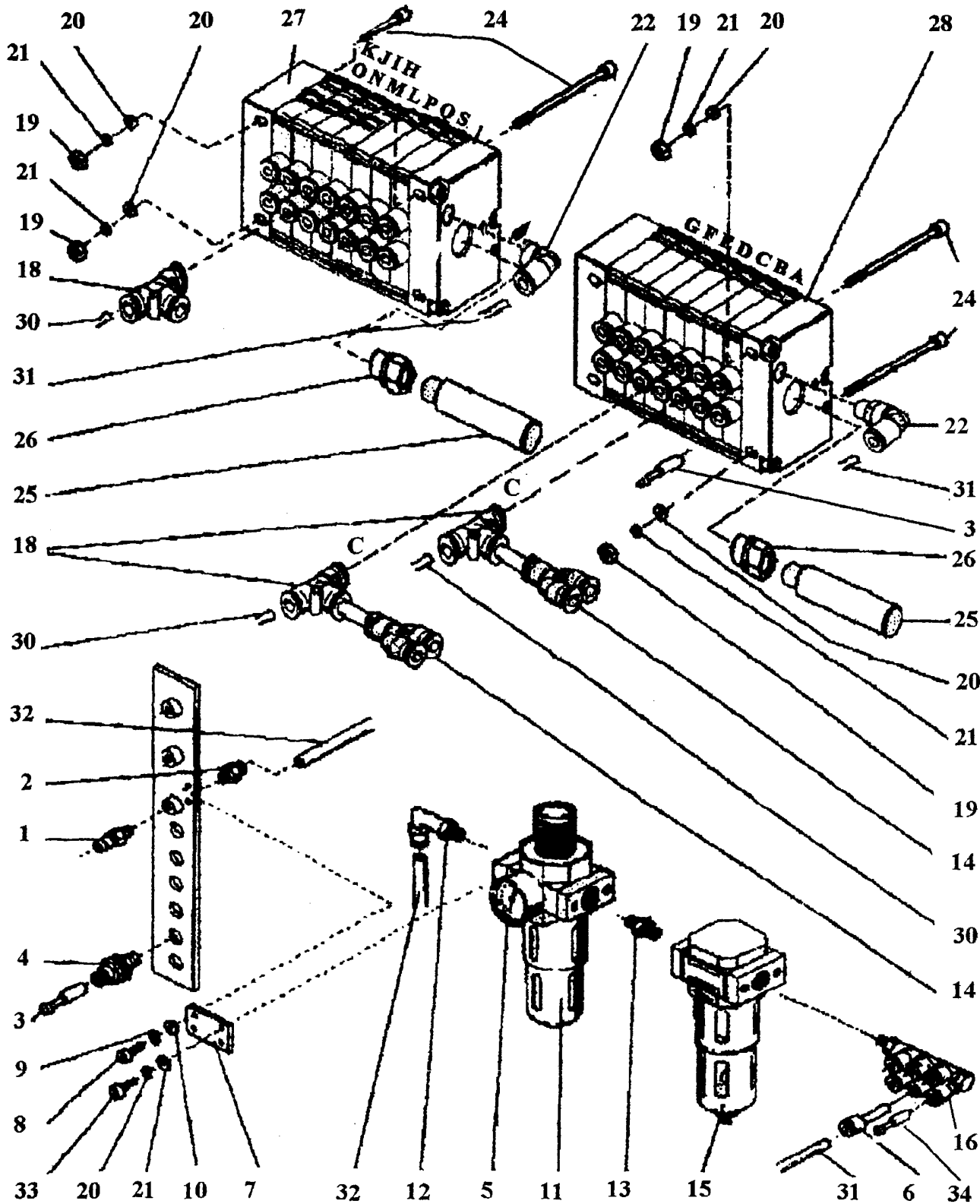
MAIN POWER SUPPLY & DRIVE MOTOR



MAIN POWER SUPPLY & DRIVE MOTOR

DET	PART NUMER	DESCRIPTION
01	39.0009.1.001	Motor Unit
02	12.0008.4.054	Motor Control
03	12.0008.4.107	Synchronizer
04	12.0008.4.108	Motor
05	08.6312.0.030	M10x30 Screw
06	08.6802.0.000	Spring Washer
07	08.6852.0.000	Washer
08	39.0064.5.016	Pin Holder
09	08.6000.4.012	M4x12 Screw
10	08.6552.4.000	Washer
11	08.6702.4.000	M4 Nut
12	39.0027.1.001	Position Pin
13	39.0094.2.001	Synchronizer Cushion
14	08.6400.4.006	M4x 6 Screw
15	12.5050.4.000	Motor Pulley (77mm)
16	12.5050.1.003	V-Belt
17	08.6000.4.010	M4 x 10 Screw
18	08.6802.4.000	Spring Washer
19	39.0009.0.000	Power Source Box
20	39.0004.8.014	Power Source Box
21	12.0008.4.419	Electric Fan
22	12.0008.4.086	Grating
23	08.6000.4.035	M4 x 35 Screw
24	12.0008.4.002	Drive Motor
25	12.0008.4.041	Power Supply 5/24V
26	12.0008.4.039	Output Module
27	12.0008.4.040	CPU Module
28	12.0008.4.001	Single Chip Micro Computer
29	12.0008.4.042	Transformer
30	12.0008.4.014	Bushing
31	12.0008.4.043	Line Filter
32	12.0008.4.035	Power Supply 120V
33	12.0008.4.055	Nut
34	12.0008.4.408	Connector

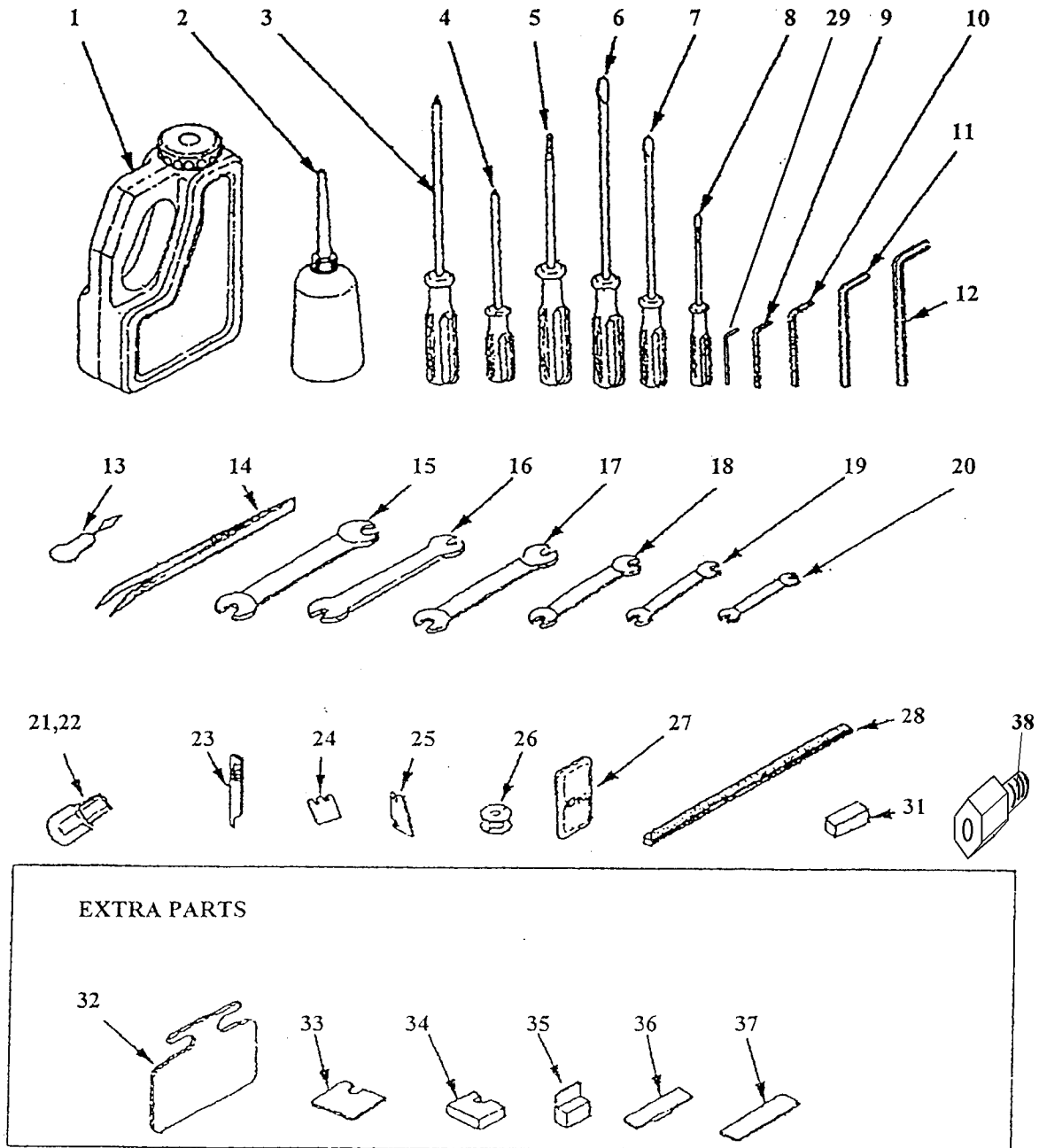
PNEUMATIC PARTS



PNEUMATIC PARTS

DET	PART NUMER	DESCRIPTION
01	12.0008.3.068	Connector
02	12.0008.3.035	Connector
03	12.0008.3.002	Plug
04	12.0008.3.001	Connector
05	12.0008.3.037	Pressure Gauge
06	12.0008.3.004	Connector
07	39.0082.4.018	Regulator Support
08	08.6000.6.016	M6 x 16 Screw
09	08.6802.6.000	Spring Washer
10	08.6852.6.000	Washer
11	12.0008.3.047	Regulator
12	12.0008.3.007	Connector
13	12.0008.3.025	Connector
14	12.0008.3.090	Connector
15	12.0008.3.048	Oil Mist Separator
16	12.0008.3.139	Connector
18	12.0008.3.032	Connector
19	08.6702.4.000	M4 Nut
20	08.6802.4.000	Spring Washer
21	08.6852.4.000	Washer
22	12.0008.3.006	Connector
24	08.6032.4.060	M6 x 60 Screw
25	12.0008.3.107	Silencer
26	12.0008.3.126	Manifold (8-Valve)
27	12.0008.3.127	Pneumatic Valve (5-Port)
28	12.0008.3.128	Pneumatic Valve (3-Port)
30	12.0008.3.018	Air Tubing
31	12.0008.3.019	Air Tubing
32	12.0008.3.020	Air Tubing
33	08.6000.4.012	M4 x 12 Screw
34	12.0008.3.140	Plug

TOOLS, SPARE PARTS



TOOLS, SPARE PARTS

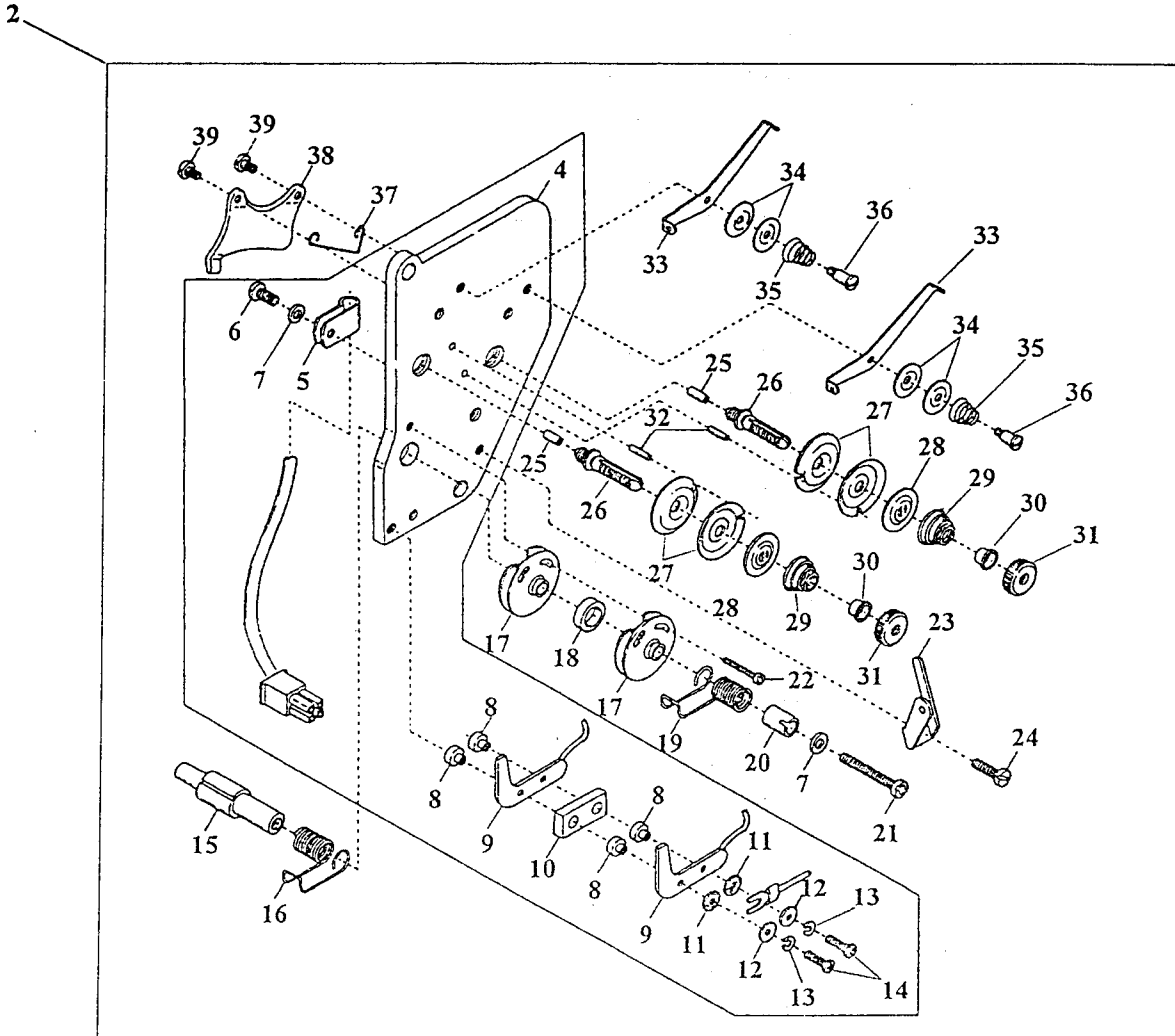
DET	PART NUMER	DESCRIPTION
01	39.0008.8.000	Oil Tank
02	17.0003.8.053	Oiler
03	12.0008.6.003	Wrench
04	12.0008.6.002	Wrench
05-1	12.0008.6.008	Hex Screwdriver (1.58)
05-2	12.0008.6.105	Wrench (1.5 Metric)
06	12.0008.6.005	Screwdriver
07	12.0008.6.006	Screwdriver
08	12.0008.6.007	Screwdriver
09	12.0008.6.100	Wrench
10	12.0008.6.101	Wrench
11	12.0008.6.102	Wrench
12	12.0008.6.103	Wrench
13	12.0008.6.200	Needle Threader
14	12.0008.6.201	Tweezers
15	12.0008.6.106	Fork Spanner (14x17)
16	12.0008.6.107	Fork Spanner (13x16)
17	12.0008.6.108	Fork Spanner (11x12)
18	12.0008.6.109	Fork Spanner (8x10)
19	12.0008.6.110	Fork Spanner (8x 9)
20	12.0008.6.111	For Spanner (5.5x7)
21	12.0008.4.088	Light Bulb (12V 5W)
22	12.0008.4.105	Light Bulb (12v 20W)
23	48.1125.5.721	Center Knife
24	See Pg. 3-64	Trim Blade
25-1	48.1125.5.303	Tab Knife
25-2	48.1001.5.289	Tab Knife (Steel)
26	12.0008.6.510	Bobbin
27-1	12.0008.6.300	Needle (190R-100)
27-2	12.0008.6.301	Needle (190R-110)
27-3	12.0008.6.302	Needle (190R-120)
28	46.1009.4.589	Clamp Foot Rubber
31	39.0094.5.000	Felt
32	46.1001.5.434	Clamp Arm Gauge
32	46.1001.5.435	Clamp Arm Gauge
32	46.1001.4.801	Clamp Arm Gauge
32	46.1001.5.436	Clamp Arm Gauge
32	46.1001.5.437	Clamp Arm Gauge
32	46.1001.5.438	Clamp Arm Gauge
32	46.1001.4.802	Clamp Arm Gauge
32	46.1001.5.439	Clamp Arm Gauge
33	46.1001.4.806	Needle & Hook Gauge
34	46.1001.4.805	Needle & Hook Gauge
35	46.1001.4.800	Needle Height Gauge
36	46.1001.4.803	Height Gauge (.75mm)
36	46.1001.4.804	Height Gauge (.9mm)
37	46.1001.4.807	Fixed Knife Positioning Gauge
38	12.0008.3.450	Pneumatic Adapter

Revised 01/2001

e-mail: service@amfreece.cz; parts@amfreece.cz; website: www.amfreece.com

Phones: +420 582 309 146 (Service), +420 582 309 236 (Spare Parts); Fax: +420 582 360 606

NEEDLE THREAD MONITOR (EXTRA PARTS)



NEEDLE THREAD MONITOR (EXTRA PARTS)

DET	PART NUMER	DESCRIPTION
02	39.0008.8.001	Thread Tension
04	46.1001.5.414	Thread Tension Plate
05	46.1006.0.245	Cord Clamp
06	46.1000.4.127	Screw
07	46.1000.0.665	Washer
08	46.1001.4.979	Insulating Bushing
09	48.1125.6.040	Sensing Plate
10	46.1001.5.418	Spacer
11	46.1000.0.257	Washer
12	46.1000.0.014	Washer
13	46.1000.0.002	Spring Washer
14	46.1000.9.512	Screw
15	46.1001.5.415	Spring Guide Shah
16	46.1001.5.424	LH Spring
17	46.1001.5.016	Spring Guide Assembly
18	46.1001.5.416	Spacer
19	46.1001.5.423	RH Spring
20	46.1001.5.422	Spring Sleeve
21	46.1000.9.959	Screw
22	46.1000.9.811	Screw
23	46.1001.5.419	Thread Eyelet
24	46.1000.9.995	Screw
25	46.1001.5.425	Release Pin
26	46.1000.9.804	Tension Post
27	46.1008.0.232	Tension Disc
28	46.1008.0.705	Spring Washer
29	46.1008.5.276	Thick Tension Spring
30	46.1002.0.126	Tension Spring Bushing
31	46.1000.0.182	Adjusting Nut
32	46.1000.0.039	Stop Pin
33	46.1009.3.535	Thread Guide
34	46.1003.7.108	Tension Disc
35	46.1009.3.514	Thin Tension Spring
36	46.1000.1.092	Screw
37	46.1001.5.015	Release Spring
38	46.1001.5.014	Release Plate
39	46.1000.8.224	Stud Screw

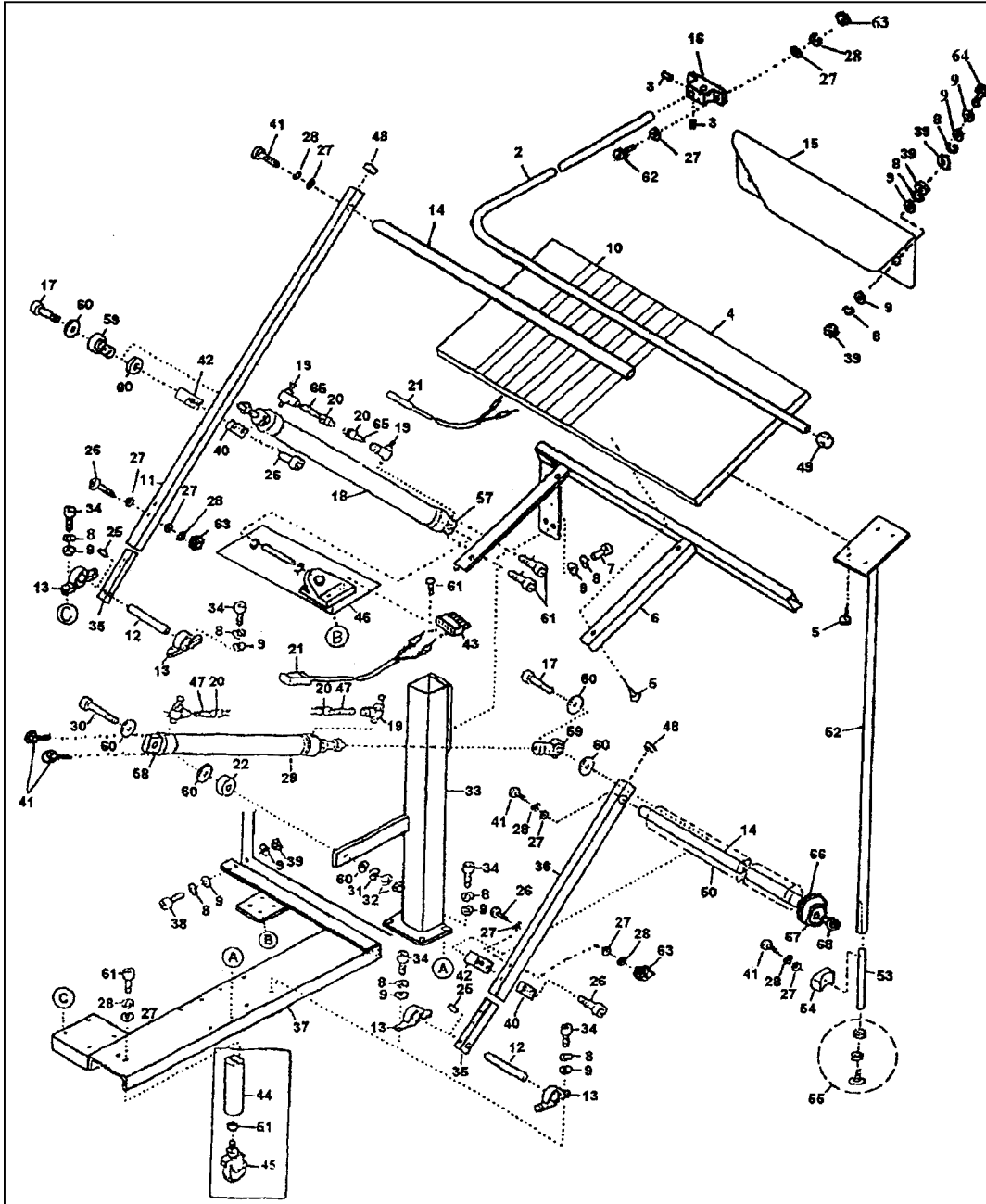
Revised 01/2001

e-mail: service@amfreece.cz; parts@amfreece.cz; website: www.amfreece.com

Phones: +420 582 309 146 (Service), +420 582 309 236 (Spare Parts); Fax: +420 582 360 606

TROUSER PANEL STACKER

1



TROUSER PANEL STACKER

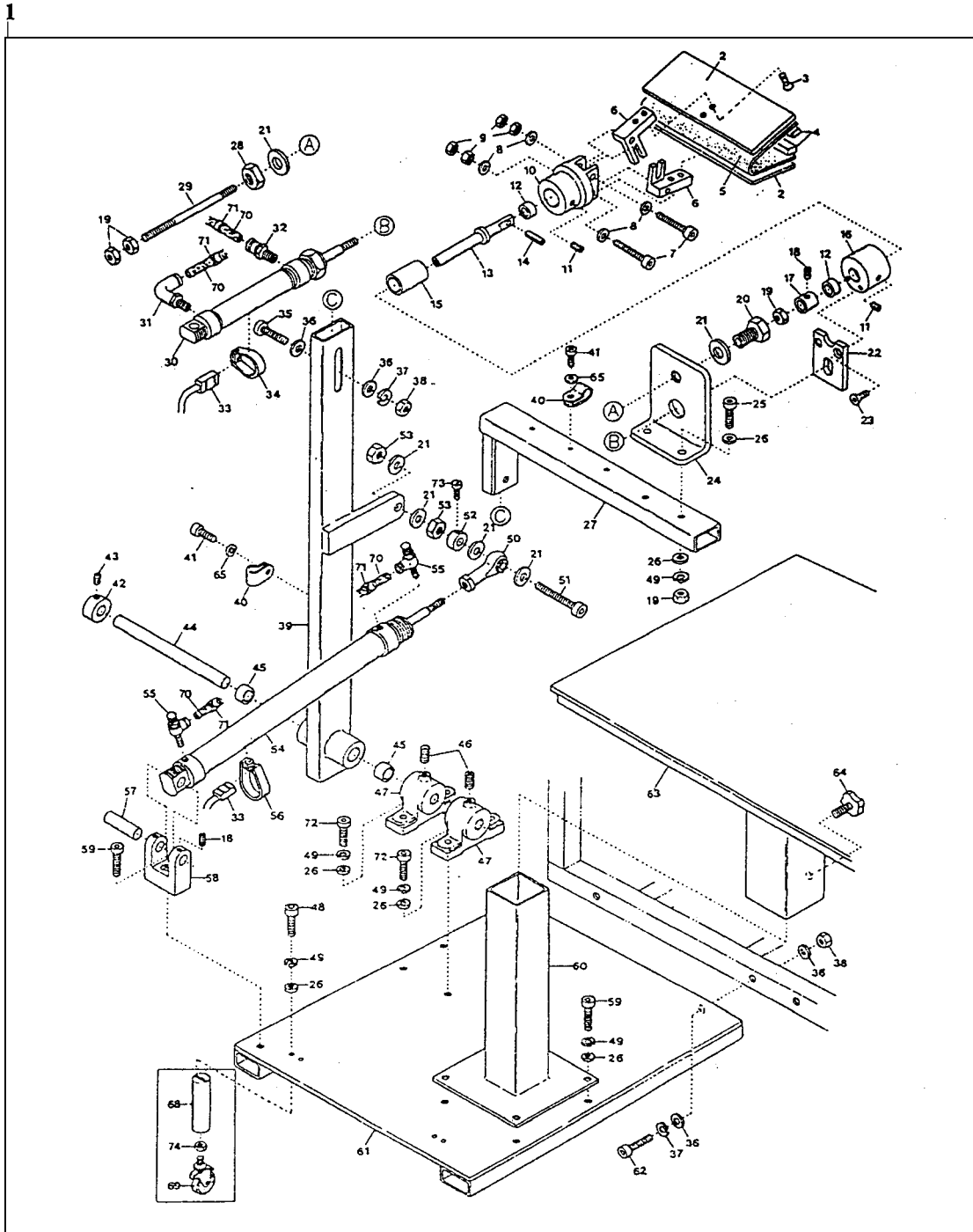
DET	PART NUMER	DESCRIPTION	DET	PART NUMER	DESCRIPTION
01	39.0008.8.018	Stacker, Complete	36	39.0084.1.001	Arm
02	39.0084.1.005	Guard	37	39.0004.8.017	Stacker Base
03	08.6400.6.006	Screw	38	08.6000.8.050	Screw
04	39.0091.0.001	Table	39	08.6702.8.000	Nut
05	08.6632.5.016	Wood Screw	40	39.0064.7.006	Cylinder Holder
06	39.0004.8.015	Table Holder	41	08.6000.6.016	Screw
07	08.6000.8.020	Screw	42	39.0064.7.007	Cylinder Holder
08	08.6802.8.000	Spring Washer	43	12.0008.4.407	Soket 5P
09	08.6852.8.000	Washer	44	39.0034.9.002	Holder
10	39.0095.3.002	Non Sliding Tape	45	39.0002.9.004	Caster
11	39.0084.1.002	Arm	46	12.0008.3.162	Cylinder Holder
12	39.0034.1.001	Shaft	47	39.0094.2.002	Air Tubing
13	12.2010.0.001	Bearing	48	12.0008.6.911	Cap
14	39.0034.5.000	Rod	49	12.0008.6.913	Pipe Cap
15	39.0082.4.052	Extension Plate	50	39.0095.3.001	Pipe Insulation
16	39.0064.5.044	Block	51	08.6712.0.000	Nut
17	08.6000.0.030	Screw	52	39.0004.8.016	Support Table
18	12.0008.3.161	Cylinder	53	39.0034.5.001	Connecting Rod
19	12.0008.3.014	Speed Control	54	39.0064.7.008	Holder
20	12.0008.4.411	Marker	55	12.0008.6.204	Armrest
21	12.0008.3.160	Sensor	57	12.0008.3.163	Cylinder Holder
22	39.0095.1.001	Collar	58	12.0008.3.158	Cylinder Holder
25	08.6400.5.005	Screw	59	12.0008.3.159	Rod End
26	08.6000.6.035	Screw	60	08.6852.0.000	Washer
27	08.6852.6.000	Washer	61	08.6000.6.020	Screw
28	08.6802.6.000	Spring Washer	62	08.6000.6.055	Screw
29	12.0008.3.157	Cylinder	63	08.6702.6.000	Nut
30	08.6002.0.060	Screw	64	08.6312.8.080	Screw
31	08.6802.0.000	Spring Washer	65	39.0094.2.005	AirTubing
32	08.6702.0.000	Nut	66	39.0094.1.001	Rubber Cushion
33	39.0004.8.018	Stacker Support	67	08.6812.6.000	Washer
34	08.6000.8.018	Screw	68	08.6202.6.012	Screw
35	39.0064.5.049	Conrecting Rod			

Revised 01/2001

e-mail: service@amfreece.cz; parts@amfreece.cz; website: www.amfreece.com

Phones: +420 582 309 146 (Service), +420 582 309 236 (Spare Parts); Fax: +420 582 360 606

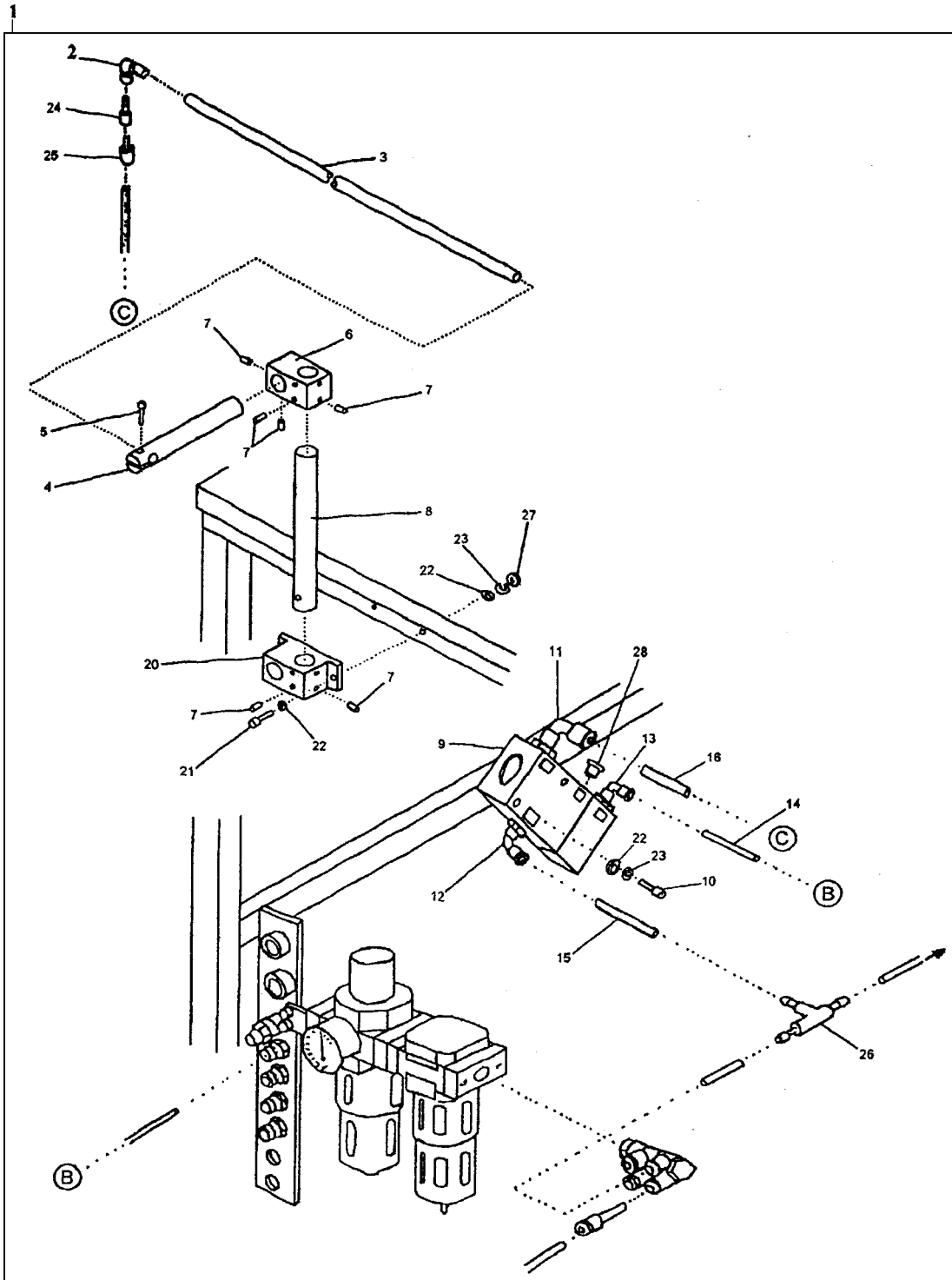
WORK REMOVER



WORK REMOVER

DET	PART NUMER	DESCRIPTION	DET	PART NUMER	DESCRIPTION
01	48.1125.5.898	Work Remover, Complete	39	46.1001.4.877	Lower Arm
02	46.1001.4.858	Cloth Clamp Plate	40	46.1003.6.133	Cord Clamp
03	46.1000.9.776	Screw	41	46.1000.9.974	Screw
04	46.1001.4.928	Rubber	42	46.1001.4.356	Collar
05	46.1001.4.929	Clamp Plate Rubber	43	46.1000.6.212	Screw
06	46.1001.4.856	Clamp Plate Bracket	44	46.1001.4.871	Shaft
07	46.1000.9.800	Screw	45	46.1001.4.654	Bushing
08	46.1000.0.014	Washer	46	46.1000.3.655	Screw
09	46.1000.0.012	Nut	47	46.1001.4.861	Shaft Bearing
10	46.1001.4.874	Front Shaft Holder	48	46.1000.9.970	Screw
11	46.1000.3.662	Screw	49	46.1000.0.667	Spring Washer
12	46.1001.4.867	Bushing	50	46.1001.4.401	Rod End
13	46.1001.4.863	Shaft	51	46.1000.9.761	Screw
14	46.1000.0.037	Pin	52	46.1003.2.719	Collar
15	46.1001.4.866	Bushing	53	46.1000.0.260	Nut
16	46.1001.4.865	Rear Shaft Holder	54	46.1109.1.079	Cylinder
17	46.1001.4.869	Collar	55	46.1001.0.254	Speed Control
18	46.1016.0.001	Screw	56	46.1109.8.007	Band
19	46.1000.0.011	Nut	57	46.1001.4.872	Cylinder Pin
20	46.1000.6.199	Screw	58	46.1001.4.850	Cylinder Holder
21	46.1000.0.432	Washer	59	46.1000.9.976	Screw
22	46.1001.4.870	Cylinder Guide Plate	60	46.1001.4.873	Table Support
23	46.1000.9.775	Screw	61	46.1001.4.878	Remover Base
24	46.1001.4.864	Cylinder Support	62	46.1000.9.759	Screw
25	46.1000.9.754	Screw	63	46.1001.4.875	Table
26	46.1000.0.663	Washer	64	46.1001.4.914	Knob
27	46.1001.4.876	Upper Arm	65	46.1000.0.665	Washer
28	46.1000.0.054	Nut	68	46.1001.4.734	Holder (97mm)
29	46.1001.4.868	Connecting Shaft	69	46.1001.5.235	Caster
30	46.1001.0.296	Cylinder	70	46.1001.0.260	Air Tubing
31	46.1001.0.057	Elbow Connector	71	46.1001.1.095	Marker (1)
32	46.1001.0.055	Connector	71	46.1001.1.096	Marker (2)
33	48.1106.6.013	Sensing Switch	71	46.1001.1.097	Marker (3)
34	46.1001.0.301	Band	71	46.1001.1.098	Marker (4)
35	46.1000.9.758	Screw	72	46.1000.9.977	Screw
36	46.1000.0.666	Washer	73	46.1000.4.351	Screw
37	46.1000.0.676	Spring Washer	74	46.1000.0.421	Nut
38	46.1000.0.016	Nut			

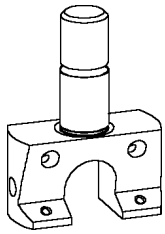
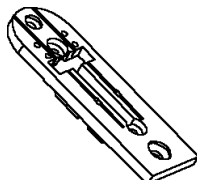
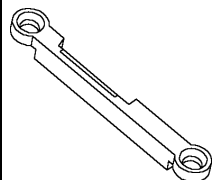
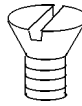
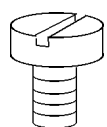
TROUSER AIR EJECTOR



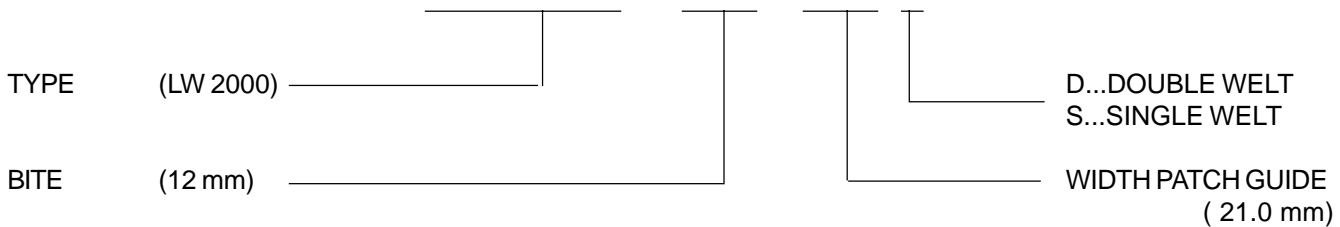
TROUSER AIR EJECTOR

01	39.0008.8.010	Panel Air Ejector Complete
02	12.0008.3.133	Elbow Connector
03	39.0004.7.004	Air Nozzle
04	39.0033.6.000	Air Nozzle Support
05	08.6000.6.016	Screw M6-16
06	39.0064.5.045	Block
07	08.6400.6.006	Screw M6-6
08	39.0034.1.000	Positioning Shaff
09	12.0008.3.132	Pilot Valve
10	08.6000.6.040	Screw M6-40
11	12.0008.3.007	Elbow Connector
12	12.0008.3.135	Connector
13	12.0008.3.030	Elbow Connector
14	39.0094.2.002	Air Tubbing
15	39.0094.2.003	Air Tubbing
16	39.0094.2.004	Air Tubbing
17	12.0008.4.411	Marker
18	12.0008.3.023	Ty-wrap
20	39.0064.5.044	Block
21	08.6000.6.055	Screw M6-55
22	08.6852.6.000	Washer
23	08.6802.6.000	Spring Washer
24	12.0008.3.136	Reduction
25	12.0008.3.137	Reduction
26	12.0008.3.138	Connector
27	08.6702.6.000	Nut
28	12.0008.3.114	Stopper

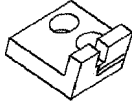
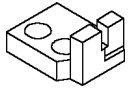



SPARE PARTS LIST

Models	Spare Parts									
	PAGE	DET	PAGE	DET	PAGE	DET	PAGE	DET	PAGE	DET
	3-25	4	3-31	46	3-31	49	3-31	50	3-31	53
										
	Needle Head		Throat Plate		Lower Knife		Screw		Screw	
LW2000-C10- 175S 175D 180S 180D 185S 185D	39.0039.4.001	46.1001.4.426		48.1125.5.594	46.1000.1.613	46.1000.4.404				
LW2000-C12- 210S 210D 220S 220D 230S 230D	48.1900.0.002	46.1001.4.427								
LW2000-C14- 270S 270D	39.0039.4.003	39.0081.1.002								
LW2000-C16- 300S 300D 310S 310D	39.0039.4.004	39.0081.1.003		46.1125.5.594	39.0012.6.000	08.6012.7.006				
LW2000-C18- 350S 350D	39.0039.4.005	39.0081.1.004								
LW2000-C20- 390S 390D	39.0039.4.006	39.0081.1.005								

LW 2000 - C12 - 210 D



SPARE PARTS LIST

Models	Spare Parts									
	PAGE	DET	PAGE	DET	PAGE	DET	PAGE	DET	PAGE	DET
	3-31	51	3-31	52	3-31	13	3-31	63	3-33	23
									3-35	51
										
	Fixed Knife (Right)	Fixed Knife (Left)	Thread Pick-up	Movable Knife	Tab Knife Support					
LW2000-C10- 175S 175D 180S 180D 185S 185D	46.1001.4.505	46.1001.4.506					46.1001.4.503		39.0064.5.004	
LW2000-C12- 210S 210D 220S 220D 230S 230D	46.1001.4.507	46.1001.4.508	46.1001.4.483				46.1001.5.504		39.0064.5.005	
LW2000-C14- 270S 270D						39.0064.8.002	39.0087.0.004		39.0064.5.027	
LW2000-C16- 300S 300D 310S 310D	39.0064.5.026	39.0064.5.025			39.0064.8.003		39.0087.0.005		39.0064.5.028	
LW2000-C18- 350S 350D							39.0087.0.006		39.0064.5.029	
LW2000-C20- 390S 390D					39.0064.8.004		39.0087.0.007		39.0064.5.030	

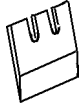



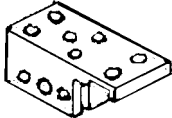
Revised 01/2001

e-mail: service@amfreece.cz; parts@amfreece.cz; website: www.amfreece.com

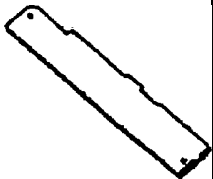
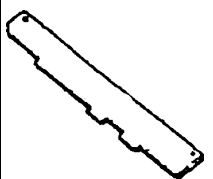
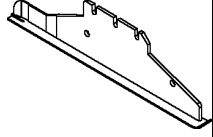
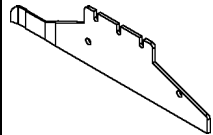
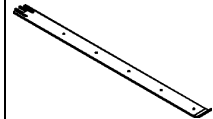
Phones: +420 582 309 146 (Service), +420 582 309 236 (Spare Parts); Fax: +420 582 360 606

www.amfreece.com

SPARE PARTS LIST

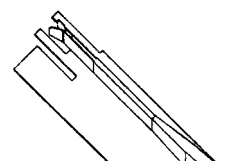
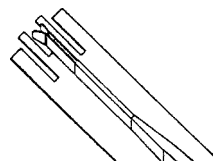
Models		Spare Parts														
		PAGE	DET	PAGE	DET	PAGE	DET	PAGE	DET	PAGE	DET					
		3-31	20	3-31	15	3-31	14	3-19	41	3-19	42					
		3-53	24													
																
		Trim Blade		Thread Holder Left		Thread Holder Right		Needle Guard Shaft		Needle Guard Block						
LW2000-C10-	175S 175D 180S 180D 185S 185D	46.1001.4.244	39.0062.5.001	39.0062.5.002			46.1001.4.521	46.1001.4.537								
LW2000-C12-	210S 210D 220S 220D 230S 230D										39.0087.0.000				46.1001.4.522	46.1001.4.538
LW2000-C14-	270S 270D															
LW2000-C16-	300S 300D 310S 310D	46.1001.5.296	46.1001.5.293													
LW2000-C18-	350S 350D			46.1001.5.297	46.1001.5.294											
LW2000-C20-	390S 390D					46.1001.5.298	46.1001.5.295									

SPARE PARTS LIST

Models	Spare Parts											
	PAGE	DET	PAGE	DET	PAGE	DET	PAGE	DET	PAGE	DET		
	3-29	18	3-29	17	3-19	63	3-19	64	3-19	65		
												
	Slide Plate (Left)		Slide Plate (Right)		Patch Guide Complete		Patch Guide (Upper)		Patch Guide (Lower)			
LW2000-C10-	175S	39.0082.4.003	39.0082.4.002	39.0003.0.001	39.0004.8.000	39.0082.4.019						
	175D			39.0003.0.002	39.0004.8.019	39.0082.4.020						
	180S			39.0003.0.003	39.0004.8.000	39.0082.4.021						
	180D			39.0003.0.004	39.0004.8.019	39.0082.4.022						
	185S			39.0003.0.005	39.0004.8.000	39.0082.4.023						
	185D			39.0003.0.006	39.0004.8.019	39.0082.4.024						
LW2000-C12-	210S					39.0003.0.007	39.0004.8.000	39.0082.4.025				
	210D					39.0003.0.008	39.0004.8.019	39.0082.4.026				
	220S					39.0003.0.009	39.0004.8.000	39.0082.4.027				
	220D					39.0003.0.010	39.0004.8.019	39.0082.4.028				
	230S					39.0003.0.011	39.0004.8.000	39.0082.4.029				
	230D					39.0003.0.012	39.0004.8.019	39.0082.4.030				
LW2000-C14-	270S					39.0003.0.013	39.0004.8.000	39.0082.4.037				
	270D					39.0003.0.014	39.0004.8.019	39.0082.4.038				
LW2000-C16-	300S			39.0082.4.031	39.0082.4.032	39.0003.0.015	39.0004.8.000	39.0082.4.039				
	300D					39.0003.0.016	39.0004.8.019	39.0082.4.040				
	310S	39.0003.0.017	39.0004.8.000			39.0082.4.041						
	310D	39.0003.0.018	39.0004.8.019			39.0082.4.042						
LW2000-C18-	350S	39.0082.4.033	39.0082.4.034	39.0003.0.019	39.0004.8.000	39.0082.4.043						
	350D			39.0003.0.020	39.0004.8.019	39.0082.4.044						
LW2000-C20-	390S	39.0082.4.035	39.0082.4.036	39.0003.0.021	39.0004.8.000	39.0082.4.045						
	390D			39.0003.0.022	39.0004.8.019	39.0082.4.046						

DOUBLE
LW2000-Cxx-xxxD

SINGLE
LW2000-Cxx-xxxS

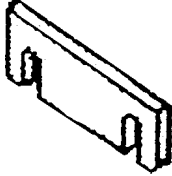


Revised 01/2001

e-mail: service@amfreece.cz; parts@amfreece.cz; website: www.amfreece.com

Phones: +420 582 309 146 (Service), +420 582 309 236 (Spare Parts); Fax: +420 582 360 606

SPARE PARTS LIST

Models		Spare Parts									
		PAGE	DET	PAGE	DET	PAGE	DET	PAGE	DET	PAGE	DET
		3-39	41								
											
		Clamp Foot Spacer									
LW2000-C10-	175S	39.0064.5.019									
	175D										
	180S	39.0064.5.020									
	180D										
	185S	39.0064.5.021									
	185D										
LW2000-C12-	210S	39.0064.5.022									
	210D										
	220S	39.0064.5.023									
	220D										
	230S	39.0064.5.024									
	230D										
LW2000-C14-	270S	39.0064.5.031									
	270D										
LW2000-C16-	300S	39.0064.5.032									
	300D										
	310S	39.0064.5.033									
	310D										
LW2000-C18-	350S	39.0064.5.034									
	350D										
LW2000-C20-	390S	39.0064.5.035									
	390D										

INDEX

PART NUMBER	PAGE	DET	PART NUMBER	PAGE	DET	PART NUMBER	PAGE	DET
05.1391.0.000			08.6000.5.012			08.6000.6.050		
05.1391.0.000	3-25	01	08.6000.5.012	3-31	02	08.6000.6.050	3-39	37-2
08.6000.0.030			08.6000.5.016	3-23	39	08.6000.6.050	3-45	53
08.6000.0.030	3-57	17	08.6000.5.016	3-27	47	08.6000.6.055	3-57	62
08.6000.0.045	3-43	10	08.6000.5.016	3-33	40	08.6000.6.055	3-61	21
08.6000.0.055	3-37	09	08.6000.5.016	3-35	15	08.6000.6.065	3-35	02
08.6000.3.005			08.6000.5.025	3-43	28	08.6000.8.018		
08.6000.3.005	3-31	45	08.6000.5.030	3-41	24	08.6000.8.018	3-57	34
08.6000.3.010	3-37	17	08.6000.5.050	3-27	46	08.6000.8.020	3-45	15
08.6000.3.010	3-19	42	08.6000.5.070	3-35	73	08.6000.8.020	3-57	07
08.6000.3.016	3-19	32	08.6000.5.070	3-37	28	08.6000.8.025	3-35	17
08.6000.3.016	3-27	29	08.6000.6.010			08.6000.8.025	3-43	36
08.6000.3.016	3-35	21	08.6000.6.010	3-19	35	08.6000.8.030	3-23	51
08.6000.4.008			08.6000.6.010	3-35	38	08.6000.8.030	3-33	04
08.6000.4.008	3-31	41	08.6000.6.016	3-21	13	08.6000.8.035	3-33	14
08.6000.4.008	3-29	73	08.6000.6.016	3-37	42	08.6000.8.035	3-35	27
08.6000.4.008	3-39	05	08.6000.6.016	3-45	51	08.6000.8.040	3-43	07
08.6000.4.010	3-17	12	08.6000.6.016	3-51	08	08.6000.8.045	3-31	31
08.6000.4.010	3-23	44	08.6000.6.016	3-57	41	08.6000.8.050	3-57	38
08.6000.4.010	3-27	52	08.6000.6.016	3-61	05	08.6000.8.055	3-43	25
08.6000.4.010	3-33	09	08.6000.6.016	3-35	43	08.6002.0.060		
08.6000.4.010	3-35	13	08.6000.6.016	3-39	35	08.6002.0.060	3-57	30
08.6000.4.010	3-37	13	08.6000.6.018	3-45	20	08.6012.3.003		
08.6000.4.010	3-49	17	08.6000.6.020	3-25	10	08.6012.3.003	3-23	68
08.6000.4.010	3-29	50	08.6000.6.020	3-31	37	08.6012.3.006	3-31	21
08.6000.4.012	3-19	36	08.6000.6.020	3-35	06	08.6012.3.012	3-7	49
08.6000.4.012	3-31	74	08.6000.6.020	3-45	13	08.6012.3.045	3-23	33
08.6000.4.012	3-33	59	08.6000.6.020	3-57	61	08.6012.3.045	3-29	56
08.6000.4.012	3-39	64	08.6000.6.025	3-19	57	08.6012.3.055	3-29	27
08.6000.4.012	3-41	06	08.6000.6.025	3-25	07	08.6012.3.060	3-23	22
08.6000.4.012	3-49	09	08.6000.6.025	3-35	30	08.6012.3.060	3-29	57
08.6000.4.012	3-51	33	08.6000.6.025	3-43	31	08.6012.3.065	3-39	32
08.6000.4.016	3-17	04	08.6000.6.030	3-5	47	08.6012.4.065	3-31	53-2
08.6000.4.016	3-19	02	08.6000.6.030	3-23	35	08.6032.3.008		
08.6000.4.016	3-19	02	08.6000.6.030	3-33	53	08.6032.3.008	3-27	62
08.6000.4.016	3-23	64	08.6000.6.030	3-35	07	08.6032.3.008	3-29	04
08.6000.4.020	3-37	23	08.6000.6.035	3-33	10	08.6032.3.008	3-47	17
08.6000.4.025	3-29	70	08.6000.6.035	3-35	07	08.6032.3.010	3-29	64
08.6000.4.025	3-37	52	08.6000.6.035	3-37	26	08.6032.3.020	3-45	29
08.6000.4.035	3-39	16	08.6000.6.040	3-57	26			
08.6000.4.035	3-49	23	08.6000.6.040	3-45	63			
08.6000.5.010			08.6000.6.040	3-29	52			
08.6000.5.010	3-41	05	08.6000.6.040	3-29	52			
			08.6000.6.040	3-31	24			
			08.6000.6.040	3-61	10			
			08.6000.6.045	3-39	37-1			
			08.6000.6.045	3-43	13			
			08.6000.6.045	3-47	04			

Revised 01/2001

e-mail: service@amfreece.cz; parts@amfreece.cz; website: www.amfreece.com

Phones: +420 582 309 146 (Service), +420 582 309 286 (Spare Parts); Fax: +420 582 360 606

www.promelectroavtomat.ru

INDEX

PART NUMBER	PAGE	DET	PART NUMBER	PAGE	DET	PART NUMBER	PAGE	DET
08.6032.4.008			08.6312.8.080			08.6410.3.003		
08.6032.4.008	3-29	19	08.6312.8.080	3-27	56	08.6410.3.003	3-25	05a
08.6032.4.008	3-31	89	08.6312.8.080	3-29	54	08.6410.3.003	3-39	09
08.6032.4.010	3-27	64	08.6312.8.080	3-57	64	08.6410.4.006	3-39	11
08.6032.4.010	3-31	29	08.6314.6.010	3-43	48	08.6410.4.020	3-35	62
08.6032.4.010	3-35	12	08.6332.3.010	3-45	02	08.6420.5.008	3-45	06
08.6032.4.010	3-43	44				08.6430.4.006	3-33	56
08.6032.4.020	3-23	21	08.6400.3.003			08.6430.4.006	3-35	82
08.6032.4.030	3-31	86	08.6400.3.003	3-31	17	08.6430.4.006	3-43	39
08.6032.4.035	3-23	28	08.6400.3.004	3-19	10			
08.6032.4.035	3-37	19	08.6400.3.004	3-23	08	08.6512.5.010		
08.6032.4.040	3-37	62	08.6400.3.006	3-19	48	08.6512.5.010	3-23	42
08.6032.4.040	3-45	08				08.6552.4.000	3-49	10
08.6032.4.040	3-45	41	08.6400.4.004			08.6632.5.016	3-57	05
08.6032.4.060	3-51	24	08.6400.4.004	3-17	08	08.6646.3.020	3-29	08
			08.6400.4.004	3-23	61	08.6663.5.025	3-29	02
08.6100.4.008			08.6400.4.004	3-31	67	08.6676.4.025	3-29	74
08.6100.4.008	3-39	45	08.6400.4.006	3-25	13			
08.6100.4.010	3-41	14	08.6400.4.006	3-35	40	08.6702.0.000		
08.6110.3.008	3-7	48	08.6400.4.006	3-49	14	08.6702.0.000	3-19	05
08.6132.2.006	3-19	66	08.6400.4.010	3-37	39	08.6702.0.000	3-33	49
08.6132.3.012	3-33	31	08.6400.4.030	3-37	24	08.6702.0.000	3-57	32
08.6132.3.012	3-35	59				08.6702.2.100	3-29	23
08.6142.3.010	3-47	08	08.6400.5.005					
08.6142.3.020	3-47	28	08.6400.5.005	3-57	25	08.6702.3.000		
08.6142.4.010	3-27	02	08.6400.5.006	3-23	58	08.6702.3.000	3-19	43
08.6142.4.010	3-37	45	08.6400.5.006	3-43	38	08.6702.3.000	3-27	63
08.6142.4.016	3-47	36	08.6400.5.006	3-45	07	08.6702.3.000	3-29	07
08.6142.8.040	3-29	31	08.6400.5.008	3-7	47	08.6702.3.000	3-35	24
			08.6400.5.016	3-41	18	08.6702.3.000	3-47	18
08.6200.4.006			08.6400.5.030	3-37	34			
08.6200.4.006	3-39	60	08.6400.5.030	3-43	03	08.6702.4.000		
08.6202.4.012	3-27	81				08.6702.4.000	3-17	18
08.6202.6.012	3-27	06	08.6400.6.006			08.6702.4.000	3-23	05
08.6202.6.012	3-57	68	08.6400.6.006	3-19	23	08.6702.4.000	3-27	10
			08.6400.6.006	3-35	36	08.6702.4.000	3-29	72
08.6312.0.030			08.6400.6.006	3-43	02	08.6702.4.000	3-31	79
08.6312.0.030	3-49	05	08.6400.6.006	3-43	20	08.6702.4.000	3-33	33
08.6312.4.010	3-37	41	08.6400.6.006	3-57	03	08.6702.4.000	3-35	61
08.6312.4.012	3-17	20	08.6400.6.006	3-61	07	08.6702.4.000	3-37	20
08.6312.8.014	3-19	26	08.6400.6.010	3-19	16	08.6702.4.000	3-39	65
08.6312.8.014	3-45	64	08.6400.6.010	3-29	49	08.6702.4.000	3-45	09
08.6312.8.014	3-47	29	08.6400.6.010	3-33	03	08.6702.4.000	3-47	25
08.6312.8.050	3-45	32	08.6400.6.010	3-43	17	08.6702.4.000	3-49	11
			08.6400.6.010	3-47	03	08.6702.4.000	3-51	19
			08.6400.6.010	3-37	36			

Revised 01/2001

INDEX

PART NUMBER	PAGE	DET	PART NUMBER	PAGE	DET	PART NUMBER	PAGE	DET
08.6702.5.000			08.6800.6.000			08.6802.6.000		
08.6702.5.000	3-19	45	08.6800.6.000	3-35	03	08.6802.6.000	3-25	08
08.6702.5.000	3-23	15	08.6802.0.000	3-19	06	08.6802.6.000	3-33	11
08.6702.5.000	3-37	54	08.6802.0.000	3-37	10	08.6802.6.000	3-43	41
08.6702.5.000	3-41	17	08.6802.0.000	3-43	11	08.6802.6.000	3-45	22
08.6702.5.000	3-43	06	08.6802.0.000	3-47	46	08.6802.6.000	3-47	06
08.6702.5.000	3-47	10	08.6802.0.000	3-49	06	08.6802.6.000	3-51	09
			08.6802.0.000	3-57	31	08.6802.6.000	3-57	28
						08.6802.6.000	3-61	23
						08.6802.6.000	3-37	48
08.6702.6.000			08.6802.3.000			08.6802.8.000		
08.6702.6.000	3-19	52	08.6802.3.000	3-19	31	08.6802.8.000	3-19	25
08.6702.6.000	3-21	01	08.6802.3.000	3-27	30	08.6802.8.000	3-23	47
08.6702.6.000	3-27	70	08.6802.3.000	3-29	06	08.6802.8.000	3-27	58
08.6702.6.000	3-29	69	08.6802.3.000	3-29	22	08.6802.8.000	3-29	34
08.6702.6.000	3-35	80	08.6802.3.000	3-35	22	08.6802.8.000	3-31	33
08.6702.6.000	3-37	49	08.6802.3.000	3-37	03	08.6802.8.000	3-33	15
08.6702.6.000	3-41	09	08.6802.3.000	3-47	16	08.6802.8.000	3-43	33
08.6702.6.000	3-43	15	08.6802.4.000			08.6802.8.000	3-45	16
08.6702.6.000	3-43	34	08.6802.4.000	3-17	05	08.6802.8.000	3-47	30
08.6702.6.000	3-45	24	08.6802.4.000	3-19	03	08.6802.8.000	3-57	08
08.6702.6.000	3-47	07	08.6802.4.000	3-23	04			
08.6702.6.000	3-57	63	08.6802.4.000	3-27	17			
08.6702.6.000	3-61	27	08.6802.4.000	3-31	28	08.6812.6.000		
			08.6802.4.000	3-31	85	08.6812.6.000	3-43	50
08.6702.8.000			08.6802.4.000	3-33	08	08.6812.6.000	3-47	05
08.6702.8.000	3-19	29	08.6802.4.000	3-35	11	08.6812.6.000	3-57	67
08.6702.8.000	3-23	48	08.6802.4.000	3-37	14			
08.6702.8.000	3-27	57	08.6802.4.000	3-39	61	08.6822.3.000		
08.6702.8.000	3-29	13	08.6802.4.000	3-43	43	08.6822.3.000	3-47	09
08.6702.8.000	3-31	34	08.6802.4.000	3-45	10	08.6822.4.000	3-27	03
08.6702.8.000	3-35	28	08.6802.4.000	3-47	27			
08.6702.8.000	3-45	33	08.6802.4.000	3-49	18	08.6832.5.000		
08.6702.8.000	3-57	39	08.6802.4.000	3-51	20	08.6832.5.000	3-47	11
						08.6832.6.000	3-43	47
08.6710.4.020			08.6802.5.000			08.6852.0.000		
08.6710.4.020	3-33	34	08.6802.5.000	3-23	14	08.6852.0.000	3-19	07
08.6710.6.000	3-31	62	08.6802.5.000	3-27	49	08.6852.0.000	3-27	77
08.6712.0.000	3-45	05	08.6802.5.000	3-31	03	08.6852.0.000	3-33	50
08.6712.0.000	3-57	51	08.6802.5.000	3-35	79	08.6852.0.000	3-37	11
08.6712.0.200	3-27	15	08.6802.5.000	3-43	05	08.6852.0.000	3-43	12
08.6712.6.000	3-41	11	08.6802.6.000			08.6852.0.000	3-47	45
08.6712.8.000	3-39	13	08.6802.6.000	3-19	58	08.6852.0.000	3-57	60
08.6722.6.000	3-45	55	08.6802.6.000	3-21	04	08.6852.0.000	3-49	07
08.6722.8.000	3-29	59	08.6802.6.000	3-23	36			

Revised 01/2001

e-mail: service@amfreece.cz; parts@amfreece.cz; website: www.amfreece.com

Phones: +420 582 309 146 (Service), +420 582 309 286 (Spare Parts); Fax: +420 582 360 606

www.promelectroavtomat.ru

INDEX

PART NUMBER	PAGE	DET	PART NUMBER	PAGE	DET	PART NUMBER	PAGE	DET
08.6852.3.000			08.6852.6.000			12.0008.3.014		
08.6852.3.000	3-19	30	08.6852.6.000	3-33	12	12.0008.3.014	3-37	57
08.6852.3.000	3-27	31	08.6852.6.000	3-35	04	12.0008.3.014	3-57	19
08.6852.3.000	3-29	05	08.6852.6.000	3-37	47	12.0008.3.015	3-17	27
08.6852.3.000	3-31	44	08.6852.6.000	3-39	38	12.0008.3.016	3-33	21
08.6852.3.000	3-35	23	08.6852.6.000	3-43	40	12.0008.3.018	3-19	67
08.6852.3.000	3-37	04	08.6852.6.000	3-45	23	12.0008.3.018	3-33	51
08.6852.3.000	3-39	63	08.6852.6.000	3-51	10	12.0008.3.018	3-17	24
08.6852.3.000	3-45	28	08.6852.6.000	3-57	27	12.0008.3.018	3-23	56
08.6852.3.000	3-47	15	08.6852.6.000	3-61	22	12.0008.3.018	3-27	80
						12.0008.3.018	3-29	65
08.6852.4.000			08.6852.8.000			12.0008.3.018	3-31	71
08.6852.4.000	3-17	06	08.6852.8.000	3-19	24	12.0008.3.018	3-35	81
08.6852.4.000	3-19	04	08.6852.8.000	3-23	46	12.0008.3.018	3-37	55
08.6852.4.000	3-23	03	08.6852.8.000	3-27	59	12.0008.3.018	3-39	57
08.6852.4.000	3-27	09	08.6852.8.000	3-29	16	12.0008.3.018	3-45	54
08.6852.4.000	3-29	71	08.6852.8.000	3-31	32	12.0008.3.018	3-51	30
08.6852.4.000	3-31	27	08.6852.8.000	3-33	16	12.0008.3.019	3-51	31
08.6852.4.000	3-31	56	08.6852.8.000	3-35	18	12.0008.3.020	3-51	32
08.6852.4.000	3-31	84	08.6852.8.000	3-43	08	12.0008.3.021	3-27	36
08.6852.4.000	3-31	88	08.6852.8.000	3-45	17	12.0008.3.022	3-27	34
08.6852.4.000	3-33	07	08.6852.8.000	3-57	09	12.0008.3.023	3-61	18
08.6852.4.000	3-35	10				12.0008.3.025	3-51	13
08.6852.4.000	3-37	15	08.6862.6.000			12.0008.3.026	3-41	22
08.6852.4.000	3-39	15	08.6862.6.000	3-37	56	12.0008.3.028	3-37	06
08.6852.4.000	3-41	07	08.6862.6.000	3-39	36	12.0008.3.029	3-21	10
08.6852.4.000	3-43	42	08.6874.5.000	3-47	12	12.0008.3.029	3-23	29
08.6852.4.000	3-45	11	08.6874.6.000	3-43	46	12.0008.3.029	3-29	75
08.6852.4.000	3-47	26				12.0008.3.029	3-31	08
08.6852.4.000	3-51	21	12.0008.3.001			12.0008.3.029	3-39	23
08.6852.5.000			12.0008.3.001	3-51	04	12.0008.3.030	3-31	35
08.6852.5.000	3-19	61	12.0008.3.002	3-51	03	12.0008.3.030	3-41	21
08.6852.5.000	3-23	13	12.0008.3.003	3-23	17	12.0008.3.030	3-61	13
08.6852.5.000	3-27	48	12.0008.3.003	3-29	58	12.0008.3.031	3-39	51
08.6852.5.000	3-31	04	12.0008.3.003	3-31	73	12.0008.3.032	3-51	18
08.6852.5.000	3-35	78	12.0008.3.003	3-39	22	12.0008.3.033	3-19	13
08.6852.5.000	3-41	03	12.0008.3.004	3-37	59	12.0008.3.034	3-27	72
08.6852.5.000	3-41	04	12.0008.3.004	3-41	20	12.0008.3.035	3-51	02
08.6852.5.000	3-41	04	12.0008.3.004	3-51	06	12.0008.3.037	3-51	05
08.6852.5.000	3-43	04	12.0008.3.006	3-51	22	12.0008.3.039	3-31	36
			12.0008.3.007	3-61	11	12.0008.3.039	3-35	16
08.6852.6.000			12.0008.3.007	3-51	12	12.0008.3.040	3-23	09
08.6852.6.000	3-19	59	12.0008.3.008	3-19	12	12.0008.3.040	3-31	65
08.6852.6.000	3-21	05	12.0008.3.009	3-27	71	12.0008.3.041	3-33	45
08.6852.6.000	3-23	37	12.0008.3.014	3-33	22	12.0008.3.042	3-31	09
08.6852.6.000	3-27	07	12.0008.3.014	3-35	26	12.0008.3.043	3-17	26

Revised 01/2001

INDEX

PART NUMBER	PAGE	DET	PART NUMBER	PAGE	DET	PART NUMBER	PAGE	DET
12.0008.3.043			12.0008.3.132			12.0008.4.043		
12.0008.3.043	3-21	06	12.0008.3.132	3-61	09	12.0008.4.043	3-49	31
12.0008.3.043	3-33	20	12.0008.3.133	3-61	02	12.0008.4.054	3-49	02
12.0008.3.047	3-51	11	12.0008.3.135	3-61	12	12.0008.4.055	3-49	33
12.0008.3.048	3-51	15	12.0008.3.136	3-61	24	12.0008.4.086	3-49	22
12.0008.3.050	3-23	27	12.0008.3.137	3-61	25	12.0008.4.087	3-23	57
12.0008.3.050	3-29	55	12.0008.3.138	3-61	26	12.0008.4.088	3-23	65
12.0008.3.051	3-27	38	12.0008.3.139	3-51	16	12.0008.4.088	3-53	21
12.0008.3.053	3-31	05	12.0008.3.140	3-51	34	12.0008.4.089	3-23	63
12.0008.3.055	3-19	11	12.0008.3.157	3-57	29	12.0008.4.089	3-43	45
12.0008.3.056	3-35	25	12.0008.3.158	3-57	58	12.0008.4.100	3-31	26
12.0008.3.057	3-17	22	12.0008.3.159	3-57	59	12.0008.4.101	3-31	87
12.0008.3.058	3-33	19	12.0008.3.160	3-57	21	12.0008.4.103	3-47	41
12.0008.3.061	3-23	32	12.0008.3.161	3-57	18	12.0008.4.104	3-47	24
12.0008.3.061	3-35	49	12.0008.3.162	3-57	46	12.0008.4.105	3-47	43
12.0008.3.061	3-37	18	12.0008.3.163	3-57	57	12.0008.4.105	3-53	22
12.0008.3.061	3-39	53	12.0008.3.201	3-41	19	12.0008.4.107	3-49	03
12.0008.3.062	3-17	23	12.0008.3.202	3-41	30	12.0008.4.108	3-49	04
12.0008.3.062	3-21	09	12.0008.3.203	3-41	23	12.0008.4.407	3-57	43
12.0008.3.062	3-29	68	12.0008.3.242	3-37	51	12.0008.4.408	3-49	34
12.0008.3.062	3-41	15	12.0008.3.450	3-53	38	12.0008.4.411	3-57	20
12.0008.3.063	3-23	10				12.0008.4.411	3-61	17
12.0008.3.064	3-37	27	12.0008.4.001			12.0008.4.419	3-49	21
12.0008.3.065	3-35	44	12.0008.4.001	3-49	28	12.0008.4.426	3-47	48
12.0008.3.067	3-35	48	12.0008.4.002	3-49	24			
12.0008.3.068	3-51	01	12.0008.4.011	3-47	13	12.0008.6.002		
12.0008.3.078	3-27	78	12.0008.4.012	3-47	21	12.0008.6.002	3-53	04
12.0008.3.079	3-27	79	12.0008.4.013	3-47	22	12.0008.6.003	3-53	03
12.0008.3.090	3-37	22	12.0008.4.014	3-49	30	12.0008.6.005	3-53	06
12.0008.3.084	3-45	40	12.0008.4.015	3-27	11	12.0008.6.006	3-53	07
12.0008.3.090	3-45	42	12.0008.4.016	3-47	20	12.0008.6.007	3-53	08
12.0008.3.090	3-51	14	12.0008.4.027	3-47	37	12.0008.6.008	3-53	05-1
12.0008.3.090	3-29	66	12.0008.4.028	3-47	23	12.0008.6.100	3-53	09
12.0008.3.095	3-21	07	12.0008.4.030	3-47	35	12.0008.6.101	3-53	10
12.0008.3.096	3-21	08	12.0008.4.031	3-31	90	12.0008.6.102	3-53	11
12.0008.3.100	3-29	67	12.0008.4.032	3-27	28	12.0008.6.103	3-53	12
12.0008.3.101	3-39	20	12.0008.4.032	3-35	20	12.0008.6.105	3-53	05-2
12.0008.3.102	3-39	19	12.0008.4.034	3-45	27	12.0008.6.106	3-53	15
12.0008.3.103	3-27	39	12.0008.4.035	3-49	32	12.0008.6.107	3-53	16
12.0008.3.103	3-35	50	12.0008.4.036	3-47	19	12.0008.6.108	3-53	17
12.0008.3.103	3-37	07	12.0008.4.037	3-47	32	12.0008.6.109	3-53	18
12.0008.3.107	3-51	25	12.0008.4.038	3-47	14	12.0008.6.110	3-53	19
12.0008.3.114	3-61	28	12.0008.4.039	3-49	26	12.0008.6.111	3-53	20
12.0008.3.126	3-51	26	12.0008.4.040	3-49	27	12.0008.6.200	3-53	13
12.0008.3.127	3-51	27	12.0008.4.041	3-49	25	12.0008.6.201	3-53	14
12.0008.3.128	3-51	28	12.0008.4.042	3-49	29	12.0008.6.204	3-57	55

Revised 01/2001

e-mail: service@amfreece.cz; parts@amfreece.cz; website: www.amfreece.com

Phones: +420 582 309 146 (Service), +420 582 309 286 (Spare Parts); Fax: +420 582 360 606

www.promelectroavtomat.ru

INDEX

PART NUMBER	PAGE	DET	PART NUMBER	PAGE	DET	PART NUMBER	PAGE	DET
12.0008.6.301			17.0019.0.228			39.0003.0.014		
12.0008.6.300	3-53	27-1	17.0019.0.228	3-17	19	39.0003.0.014	3-19	63
12.0008.6.301	3-53	27-2	17.0019.0.232	3-25	09	39.0003.0.015	3-19	63
12.0008.6.302	3-53	27-3	17.0019.0.379	3-35	70	39.0003.0.016	3-19	63
12.0008.6.503	3-45	45	17.0019.0.602	3-17	29	39.0003.0.017	3-19	63
12.0008.6.508	3-29	09	17.0019.0.633	3-29	62	39.0003.0.018	3-19	63
12.0008.6.509	3-43	27	17.0019.0.659	3-33	57	39.0003.0.019	3-19	63
12.0008.6.510	3-7	43				39.0003.0.020	3-19	63
12.0008.6.510	3-53	26	17.0027.4.100			39.0003.0.021	3-19	63
12.0008.6.905	3-27	53	17.0027.4.100	3-31	80	39.0003.0.022	3-19	63
12.0008.6.911	3-57	48	17.0038.1.087	3-45	58	39.0003.9.000	3-23	25
12.0008.6.913	3-57	49	17.0043.6.057	3-33	60	39.0003.9.002	3-45	01
			17.0083.9.175	3-45	60	39.0003.9.003	3-31	12
12.1014.0.001			38.0000.0.015			39.0004.5.000		
12.1014.0.001	3-33	38	38.0000.0.015	3-5	51	39.0004.5.000	3-43	23
12.1014.0.001	3-35	66	38.0000.0.022	3-5	53	39.0004.6.000	3-33	17
12.2010.0.001			38.1001.4.590	3-39	02	39.0004.6.001	3-33	27
12.2010.0.001	3-45	14	38.1125.5.942	3-27	66	39.0004.6.002	3-35	55
12.2010.0.001	3-57	13	38.1125.6.462	3-19	55	39.0004.6.003	3-35	01
12.2020.0.000	3-33	41	38.1900.0.046	3-5	38	39.0004.6.004	3-43	26
12.2020.0.000	3-35	68	38.1900.0.142	3-5	52			
12.2060.0.000	3-19	19				39.0004.7.000		
12.2060.0.000	3-43	22	39.0002.1.001			39.0004.7.000	3-29	03
12.2060.0.001	3-19	20	39.0002.1.001	3-7	23	39.0004.7.001	3-31	69
12.2060.0.001	3-43	21	39.0002.9.000	3-7	44	39.0004.7.004	3-61	03
12.2070.0.000	3-35	57	39.0002.9.001	3-17	03	39.0004.7.005	3-39	44-1
12.2070.0.000	3-33	29	39.0002.9.002	3-17	16	39.0004.7.006	3-39	44-2
12.2070.0.001	3-33	54	39.0002.9.003	3-27	13			
12.2070.0.002	3-35	76	39.0002.9.004	3-57	45	39.0004.8.000		
12.3010.0.005			39.0003.0.001			39.0004.8.000	3-19	64
12.3010.0.005	3-7	50	39.0003.0.001	3-19	63	39.0004.8.001	3-19	47
12.3011.0.003	3-39	24	39.0003.0.002	3-19	63	39.0004.8.002	3-19	46
12.4030.0.001	3-43	49	39.0003.0.003	3-19	63	39.0004.8.003	3-27	04
12.5050.1.003	3-49	16	39.0003.0.004	3-19	63	39.0004.8.004	3-27	51
12.5050.4.000	3-49	15	39.0003.0.005	3-19	63	39.0004.8.005	3-27	67
			39.0003.0.006	3-19	63	39.0004.8.006	3-27	12
17.0003.8.053			39.0003.0.007	3-19	63	39.0004.8.007	3-29	01
17.0003.8.053	3-53	02	39.0003.0.008	3-19	63	39.0004.8.008	3-29	44
17.0004.2.056	3-45	59	39.0003.0.009	3-19	63	39.0004.8.009	3-43	35
			39.0003.0.010	3-19	63	39.0004.8.010	3-45	25
17.0012.0.423			39.0003.0.011	3-19	63	39.0004.8.011	3-45	50
17.0012.0.423	3-31	64	39.0003.0.012	3-19	63	39.0004.8.012	3-47	01
17.0013.7.013	3-31	61	39.0003.0.013	3-19	63	39.0004.8.013	3-47	02
17.0016.1.290	3-47	47				39.0004.8.014	3-49	20
						39.0004.8.015	3-57	06

Revised 01/2001

INDEX

PART NUMBER	PAGE	DET	PART NUMBER	PAGE	DET	PART NUMBER	PAGE	DET
39.0004.8.016			39.0013.4.000			39.0039.4.005		
39.0004.8.016	3-57	52	39.0013.4.000	3-27	65	39.0039.4.005	3-25	04
39.0004.8.017	3-57	37	39.0014.3.000	3-39	29	39.0039.4.006	3-25	04
39.0004.8.018	3-57	33	39.0014.6.001	3-39	14			
39.0004.8.019	3-19	64	39.0015.2.000	3-35	69	39.0041.0.001		
39.0004.9.000	3-23	54	39.0015.2.001	3-37	53	39.0041.0.001	3-27	76
			39.0015.2.002	3-37	58	39.0041.0.002	3-31	38
39.0005.3.001			39.0015.4.000	3-39	28	39.0041.0.003	3-31	57
39.0005.3.001	3-41	10-1	39.0015.5.000	3-29	15	39.0041.0.004	3-35	71
39.0005.3.002	3-41	10-2	39.0015.5.001	3-29	14	39.0041.0.005	3-45	26
			39.0016.7.000	3-33	18	39.0041.0.006	3-45	30
39.0008.3.000			39.0019.0.000	3-27	45	39.0043.3.000	3-33	55
39.0008.3.000	3-27	37	39.0019.0.002	3-33	24	39.0043.6.000	3-7	45
39.0008.3.001	3-31	68	39.0019.0.002	3-35	52	39.0043.6.002	3-19	09
39.0008.3.002	3-31	30	39.0019.0.003	3-21	11	39.0043.6.002	3-23	07
39.0008.3.003	3-31	22				39.0043.6.003	3-19	22
39.0008.3.005	3-41	16	39.0026.0.000			39.0043.6.003	3-43	19
			39.0026.0.000	3-27	44	39.0043.6.004	3-23	11
39.0008.8.000			39.0026.0.001	3-29	25	39.0043.6.005	3-39	08
39.0008.8.000	3-53	01	39.0026.0.002	3-31	91	39.0055.4.001	3-43	37
39.0008.8.001	3-55	02	39.0026.3.001	3-45	34			
39.0008.8.010	3-59	01	39.0027.1.001	3-49	12	39.0061.2.001		
39.0008.8.018	3-57	01	39.0027.1.002	3-27	33	39.0061.2.001	3-45	03
39.0008.8.020	3-41	01-1	39.0027.2.000	3-35	77	39.0061.3.000	3-45	12
39.0008.8.021	3-41	01-2				39.0062.5.001	3-31	15
			39.0031.0.000			39.0062.5.002	3-31	14
39.0009.0.000			39.0031.0.000	3-39	10	39.0062.5.003	3-31	15
39.0009.0.000	3-49	19	39.0031.0.001	3-39	17	39.0062.5.004	3-31	14
39.0009.1.000	3-47	42	39.0033.2.000	3-29	21	39.0063.2.000	3-17	17
39.0009.1.001	3-49	01	39.0033.3.000	3-23	12	39.0063.2.001	3-17	07
39.0009.1.002	3-43	30	39.0033.3.001	3-19	08	39.0063.5.000	3-39	07
			39.0033.3.002	3-47	44	39.0063.5.001	3-39	12
39.0012.0.000			39.0033.5.000	3-31	39	39.0063.5.002	3-39	18
39.0012.0.000	3-31	55	39.0033.5.002	3-37	35	39.0064.3.000	3-19	53
39.0012.0.001	3-31	59	39.0033.6.000	3-61	04	39.0064.3.001	3-21	02
39.0012.0.002	3-39	47	39.0034.0.000	3-31	10			
39.0012.0.003	3-29	30	39.0034.0.001	3-45	18	39.0064.5.001		
39.0012.0.006	3-37	46	39.0034.1.000	3-61	08	39.0064.5.001	3-31	23
39.0012.6.000	3-31	50-2	39.0034.1.001	3-57	12	39.0064.5.002	3-31	42
39.0012.9.000	3-33	05	39.0034.5.000	3-57	14	39.0064.5.003	3-33	02
39.0012.9.000	3-35	08	39.0034.5.001	3-57	53	39.0064.5.004	3-33	23
39.0013.1.000	3-31	60	39.0034.9.000	3-33	46	39.0064.5.004	3-35	51
39.0013.2.000	3-31	11	39.0034.9.002	3-57	44	39.0064.5.005	3-33	23
39.0013.2.001	3-33	26	39.0039.4.001	3-25	04	39.0064.5.005	3-35	51
39.0013.2.001	3-35	54	39.0039.4.003	3-25	04	39.0064.5.006	3-33	28
39.0013.3.000	3-39	62	39.0039.4.004	3-25	04	39.0064.5.006	3-35	56

Released 03/2000

e-mail: service@amfreece.cz; parts@amfreece.cz; website: www.amfreece.com

Phones: +420 582 309 146 (Service), +420 582 309 286 (Spare Parts); Fax: +420 582 360 606

www.promelectroavtomat.ru

INDEX

PART NUMBER	PAGE	DET	PART NUMBER	PAGE	DET	PART NUMBER	PAGE	DET
39.0064.5.007			39.0064.5.054			39.0082.4.009		
39.0064.5.007	3-35	67	39.0064.5.054	3-39	42-1	39.0082.4.009	3-35	42
39.0064.5.008	3-33	43	39.0064.5.055	3-39	42-2	39.0082.4.010	3-35	45
39.0064.5.009	3-35	05	39.0064.5.056	3-41	13-2	39.0082.4.018	3-51	07
39.0064.5.010	3-35	41	39.0064.5.058	3-41	12-2	39.0082.4.019	3-19	65
39.0064.5.011	3-37	08	39.0064.7.000	3-33	44	39.0082.4.020	3-19	65
39.0064.5.014	3-43	09	39.0064.7.001	3-45	31	39.0082.4.021	3-19	65
39.0064.5.015	3-43	24	39.0064.7.006	3-57	40	39.0082.4.022	3-19	65
39.0064.5.016	3-49	08	39.0064.7.007	3-57	42	39.0082.4.023	3-19	65
39.0064.5.019	3-39	41	39.0064.7.008	3-57	54	39.0082.4.024	3-19	65
39.0064.5.020	3-39	41	39.0064.8.000	3-31	40	39.0082.4.025	3-19	65
39.0064.5.021	3-39	41	39.0064.8.002	3-31	13	39.0082.4.026	3-19	65
39.0064.5.022	3-39	41	39.0064.8.003	3-31	13	39.0082.4.027	3-19	65
39.0064.5.023	3-39	41	39.0064.8.004	3-31	13	39.0082.4.028	3-19	65
39.0064.5.024	3-39	41	39.0064.8.007	3-21	03	39.0082.4.029	3-19	65
39.0064.5.025	3-31	52	39.0064.8.008	3-37	43-2	39.0082.4.030	3-19	65
39.0064.5.026	3-31	51	39.0064.8.009	3-37	43-1	39.0082.4.031	3-29	18
39.0064.5.027	3-33	23				39.0082.4.032	3-29	17
39.0064.5.027	3-35	51	39.0081.0.003			39.0082.4.033	3-29	18
39.0064.5.028	3-33	23	39.0081.0.003	3-39	26-2	39.0082.4.034	3-29	17
39.0064.5.028	3-35	51	39.0081.0.004	3-39	26-1	39.0082.4.035	3-29	18
39.0064.5.029	3-33	23	39.0081.1.002	3-31	46	39.0082.4.036	3-29	17
39.0064.5.029	3-35	51	39.0081.1.003	3-31	46	39.0082.4.037	3-19	65
39.0064.5.030	3-33	23	39.0081.1.004	3-31	46	39.0082.4.038	3-19	65
39.0064.5.030	3-35	51	39.0081.1.005	3-31	46	39.0082.4.039	3-19	65
39.0064.5.031	3-39	41	39.0081.3.000	3-19	01	39.0082.4.040	3-19	65
39.0064.5.032	3-39	41	39.0081.3.001	3-33	37	39.0082.4.041	3-19	65
39.0064.5.033	3-39	41	39.0081.3.001	3-35	65	39.0082.4.042	3-19	65
39.0064.5.034	3-39	41	39.0081.3.002	3-33	42	39.0082.4.043	3-19	65
39.0064.5.035	3-39	41	39.0081.4.000	3-7	46	39.0082.4.044	3-19	65
39.0064.5.036	3-39	46-2	39.0081.5.000	3-25	02	39.0082.4.045	3-19	65
39.0064.5.037	3-39	46-1	39.0081.6.000	3-47	31	39.0082.4.046	3-19	65
39.0064.5.038	3-39	06				39.0082.4.049	3-39	52
39.0064.5.039	3-39	34-2	39.0082.2.001			39.0082.4.052	3-57	15
39.0064.5.040	3-39	34-1	39.0082.2.001	3-39	27-1	39.0082.4.057	3-41	02
39.0064.5.041	3-39	01-1	39.0082.2.002	3-39	27-2	39.0082.4.058	3-37	50
39.0064.5.042	3-39	01-2	39.0082.3.000	3-17	21	39.0082.4.059	3-37	44-1
39.0064.5.044	3-57	16	39.0082.4.001	3-23	30	39.0082.4.060	3-37	44-2
39.0064.5.044	3-61	20	39.0082.4.002	3-29	17	39.0082.9.000	3-29	42
39.0064.5.045	3-61	06	39.0082.4.003	3-29	18	39.0082.9.001	3-29	43
39.0064.5.046	3-35	72	39.0082.4.004	3-29	26			
39.0064.5.048	3-33	39	39.0082.4.005	3-29	33	39.0083.1.000		
39.0064.5.049	3-57	35	39.0082.4.006	3-31	54	39.0083.1.000	3-27	01
39.0064.5.050	3-41	08	39.0082.4.007	3-31	82	39.0083.1.001	3-27	05
39.0064.5.051	3-41	13-1	39.0082.4.008	3-33	30	39.0083.1.002	3-27	14
39.0064.5.053	3-41	12-1	39.0082.4.008	3-35	58	39.0083.1.003	3-27	21

Revised 01/2001

INDEX

PART NUMBER	PAGE	DET	PART NUMBER	PAGE	DET	PART NUMBER	PAGE	DET
39.0083.1.004			39.0094.2.002			46.1000.4.127		
39.0083.1.004	3-27	22	39.0094.2.002	3-61	14	46.1000.4.127	3-55	06
39.0083.1.005	3-27	23	39.0094.2.003	3-61	15	46.1000.4.351	3-59	73
39.0083.1.006	3-27	24	39.0094.2.004	3-61	16	46.1000.4.404	3-31	53-1
39.0083.1.007	3-27	25	39.0094.2.005	3-57	65	46.1000.4.505	3-31	51
39.0083.1.008	3-27	26	39.0094.5.000	3-53	31	46.1000.4.507	3-31	51
39.0083.1.009	3-47	39	39.0095.1.000	3-21	14	46.1000.4.642	3-23	31
39.0083.4.000	3-47	40	39.0095.1.001	3-57	22	46.1000.5.000	3-23	53
			39.0095.3.001	3-57	50	46.1000.5.061	3-25	15
			39.0095.3.002	3-57	10			
39.0083.6.000			39.0095.4.000	3-27	08	46.1000.6.183		
39.0083.6.000	3-27	27	39.0095.4.001	3-27	68	46.1000.6.183	3-37	31
39.0083.6.002	3-29	41	39.0095.4.002	3-45	65	46.1000.6.185	3-39	40
39.0083.6.003	3-29	53	39.0096.3.000	3-29	76	46.1000.6.186	3-19	51
39.0083.6.004	3-31	01	39.0097.5.000	3-27	60	46.1000.6.187	3-23	45
39.0083.6.005	3-31	58				46.1000.6.187	3-19	37
39.0083.6.006	3-35	19	46.0002.0.759			46.1000.6.192	3-23	06
39.0083.6.007	3-37	01	46.0002.0.759	3-19	49	46.1000.6.195	3-17	28
39.0083.6.008	3-37	16	46.1000.0.002	3-55	13	46.1000.6.197	3-17	15
39.0083.6.009	3-39	25	46.1000.0.011	3-59	19	46.1000.6.199	3-59	20
39.0083.6.010	3-45	21	46.1000.0.012	3-59	09	46.1000.6.212	3-59	43
39.0083.6.011	3-45	39	46.1000.0.014	3-55	12			
39.0083.6.012	3-45	52	46.1000.0.014	3-59	08	46.1000.8.200		
39.0083.6.014	3-21	12	46.1000.0.016	3-59	38	46.1000.8.200	3-3	02
			46.1000.0.037	3-59	14	46.1000.8.201	3-3	03
39.0084.1.001			46.1000.0.039	3-55	32	46.1000.8.201	3-15	22
39.0084.1.001	3-57	36	46.1000.0.054	3-59	28	46.1000.8.202	3-3	07
39.0084.1.002	3-57	11	46.1000.0.182	3-55	31	46.1000.8.202	3-11	05
39.0084.1.005	3-57	02	46.1000.0.257	3-55	11	46.1000.8.203	3-3	17
			46.1000.0.260	3-59	53	46.1000.8.204	3-15	05
39.0087.0.000			46.1000.0.421	3-59	74	46.1000.8.205	3-5	05
39.0087.0.000	3-31	20	46.1000.0.432	3-59	21	46.1000.8.206	3-5	06
39.0087.0.001	3-31	20	46.1000.0.663	3-17	14	46.1000.8.207	3-5	37
39.0087.0.004	3-31	63	46.1000.0.663	3-59	26	46.1000.8.207	3-7	37
39.0087.0.005	3-31	63	46.1000.0.665	3-55	07	46.1000.8.208	3-7	22
39.0087.0.006	3-31	63	46.1000.0.665	3-59	65	46.1000.8.209	3-7	25
39.0087.0.007	3-31	63	46.1000.0.666	3-59	36	46.1000.8.210	3-7	26
			46.1000.0.667	3-59	49	46.1000.8.211	3-11	03
39.0091.0.000			46.1000.0.676	3-59	37	46.1000.8.212	3-11	14
39.0091.0.000	3-29	11				46.1000.8.213	3-11	68
39.0091.0.001	3-57	04	46.1000.1.092			46.1000.8.213	3-11	72
39.0094.0.001	3-43	18	46.1000.1.092	3-55	36	46.1000.8.215	3-11	22
39.0094.1.000	3-35	33	46.1000.1.613	3-31	50-1	46.1000.8.216	3-11	10
39.0094.1.001	3-57	66	46.1000.3.655	3-59	46	46.1000.8.217	3-13	07
39.0094.2.000	3-21	15	46.1000.3.662	3-59	11	46.1000.8.218	3-13	08
39.0094.2.001	3-49	13				46.1000.8.219	3-13	11
39.0094.2.002	3-57	47						

Revised 01/2001

e-mail: service@amfreece.cz; parts@amfreece.cz; website: www.amfreece.com

Phones: +420 582 309 146 (Service), +420 582 309 286 (Spare Parts); Fax: +420 582 360 606

www.promelectroavtomat.ru

INDEX

PART NUMBER	PAGE	DET	PART NUMBER	PAGE	DET	PART NUMBER	PAGE	DET
46.1000.8.220			46.1000.8.274			46.1001.1.095		
46.1000.8.220	3-13	19	46.1000.8.274	3-11	39	46.1001.1.095	3-59	71
46.1000.8.221	3-13	22	46.1000.8.276	3-11	63	46.1001.1.096	3-59	71
46.1000.8.223	3-13	41	46.1000.8.277	3-11	21	46.1001.1.097	3-59	71
46.1000.8.224	3-15	12	46.1000.8.279	3-11	46	46.1001.1.098	3-59	71
46.1000.8.224	3-55	39	46.1000.8.280	3-11	62			
46.1000.8.225	3-15	20	46.1000.8.281	3-11	66	46.1001.4.005		
46.1000.8.226	3-11	57	46.1000.8.282	3-11	47	46.1001.4.005	3-37	33
46.1000.8.227	3-13	09	46.1000.8.283	3-11	65	46.1001.4.030	3-37	32
46.1000.8.229	3-3	16	46.1000.8.284	3-11	52	46.1001.4.032	3-29	20
46.1000.8.230	3-5	30	46.1000.8.287	3-11	69	46.1001.4.101	3-43	01
46.1000.8.233	3-5	03	46.1000.8.289	3-3	12	46.1001.4.108	3-35	37
46.1000.8.234	3-7	19	46.1000.8.289	3-11	34	46.1001.4.117	3-35	39
46.1000.8.235	3-5	10	46.1000.8.665	3-13	25	46.1001.4.119	3-35	35
46.1000.8.235	3-7	17				46.1001.4.120	3-33	58
46.1000.8.236	3-5	20	46.1000.9.127			46.1001.4.129	3-33	06
46.1000.8.236	3-7	13	46.1000.9.127	3-31	47	46.1001.4.129	3-35	09
46.1000.8.237	3-5	21	46.1000.9.142	3-31	48	46.1001.4.143	3-33	47
46.1000.8.237	3-7	12	46.1000.9.200	3-31	70	46.1001.4.186	3-19	50
46.1000.8.238	3-5	50	46.1000.9.512	3-55	14	46.1001.4.224	3-23	49
46.1000.8.240	3-7	28	46.1000.9.754	3-59	25	46.1001.4.225	3-23	50
46.1000.8.241	3-7	41	46.1000.9.758	3-59	35	46.1001.4.244	3-31	20
46.1000.8.242	3-7	06	46.1000.9.759	3-59	62	46.1001.4.260	3-23	52
46.1000.8.243	3-7	16	46.1000.9.761	3-59	51	46.1001.4.300	3-29	48
46.1000.8.244	3-13	15	46.1000.9.775	3-59	23	46.1001.4.301	3-29	51
46.1000.8.245	3-3	08	46.1000.9.776	3-59	03	46.1001.4.302	3-29	47
46.1000.8.246	3-13	12	46.1000.9.800	3-59	07	46.1001.4.356	3-59	42
46.1000.8.247	3-13	16	46.1000.9.804	3-55	26	46.1001.4.401	3-59	50
46.1000.8.248	3-11	15	46.1000.9.811	3-55	22	46.1001.4.411	3-25	12
46.1000.8.249	3-13	39	46.1000.9.959	3-55	21	46.1001.4.423	3-25	14
46.1000.8.250	3-13	40	46.1000.9.970	3-59	48	46.1001.4.424	3-25	11
46.1000.8.251	3-13	20	46.1000.9.974	3-59	41	46.1001.4.425	3-25	06
46.1000.8.252	3-3	14	46.1000.9.976	3-59	59	46.1001.4.426	3-31	46
46.1000.8.253	3-15	21	46.1000.9.977	3-59	72	46.1001.4.427	3-31	46
46.1000.8.256	3-15	10	46.1000.9.995	3-55	24	46.1001.4.483	3-31	13
46.1000.8.257	3-7	33						
46.1000.8.261	3-11	08	46.1001.0.055			46.1001.4.502		
46.1000.8.262	3-13	23	46.1001.0.055	3-59	32	46.1001.4.502	3-31	66
46.1000.8.263	3-13	44	46.1001.0.057	3-59	31	46.1001.4.503	3-31	63
46.1000.8.264	3-13	42	46.1001.0.254	3-59	55	46.1001.4.504	3-31	63
46.1000.8.266	3-11	32	46.1001.0.260	3-59	70	46.1001.4.506	3-31	52
46.1000.8.267	3-11	16	46.1001.0.285	3-19	14	46.1001.4.508	3-31	52
46.1000.8.268	3-11	40	46.1001.0.296	3-59	30	46.1001.4.521	3-19	41
46.1000.8.271	3-11	38	46.1001.0.301	3-59	34	46.1001.4.522	3-19	41
46.1000.8.272	3-11	35						
46.1000.8.273	3-11	17						

INDEX

PART NUMBER	PAGE	DET	PART NUMBER	PAGE	DET	PART NUMBER	PAGE	DET
46.1001.4.525			46.1001.4.858			46.1001.5.021		
46.1001.4.525	3-23	02	46.1001.4.858	3-59	02	46.1001.5.021	3-3	18
46.1001.4.528	3-23	43	46.1001.4.861	3-59	47	46.1001.5.022	3-3	19
46.1001.4.529	3-23	34	46.1001.4.863	3-59	13	46.1001.5.023	3-3	20
46.1001.4.530	3-23	38	46.1001.4.864	3-59	24	46.1001.5.025	3-5	48
46.1001.4.531	3-23	40	46.1001.4.865	3-59	16	46.1001.5.027	3-5	12
46.1001.4.532	3-23	41	46.1001.4.866	3-59	15	46.1001.5.028	3-5	11
46.1001.4.533	3-19	15	46.1001.4.867	3-59	12	46.1001.5.029	3-5	14
46.1001.4.535	3-19	44	46.1001.4.868	3-59	29	46.1001.5.030	3-5	15
46.1001.4.536	3-19	17	46.1001.4.869	3-59	17	46.1001.5.033	3-5	04
46.1001.4.537	3-19	42	46.1001.4.870	3-59	22	46.1001.5.034	3-5	07
46.1001.4.538	3-19	42	46.1001.4.871	3-59	44	46.1001.5.037	3-5	23
46.1001.4.599	3-37	26	46.1001.4.872	3-59	57	46.1001.5.038	3-5	22
46.1001.4.566	3-23	01	46.1001.4.873	3-59	60	46.1001.5.039	3-5	19
46.1001.4.573	3-31	19	46.1001.4.874	3-59	10	46.1001.5.040	3-5	25
46.1001.4.577	3-31	18	46.1001.4.875	3-59	63	46.1001.5.041	3-5	18
46.1001.4.579	3-31	72	46.1001.4.876	3-59	27	46.1001.5.043	3-11	28
46.1001.4.589	3-39	43-1	46.1001.4.877	3-59	39	46.1001.5.046	3-5	34
46.1001.4.592	3-37	38	46.1001.4.878	3-59	61	46.1001.5.047	3-5	35
46.1001.4.598	3-37	21	46.1001.4.914	3-59	64	46.1001.5.054	3-3	11
			46.1001.4.919	3-45	19	46.1001.5.059	3-7	01
46.1001.4.613			46.1001.4.928	3-59	04	46.1001.5.060	3-7	02
46.1001.4.613	3-33	52	46.1001.4.929	3-59	05	46.1001.5.061	3-7	03
46.1001.4.638	3-37	40-2	46.1001.4.979	3-55	08	46.1001.5.062	3-7	05
46.1001.4.639	3-37	40-1				46.1001.5.063	3-7	07
46.1001.4.654	3-59	45	46.1001.5.000			46.1001.5.064	3-7	11
46.1001.4.654	3-37	37	46.1001.5.000	3-3	04	46.1001.5.065	3-7	08
46.1001.4.711	3-33	13	46.1001.5.003	3-3	13	46.1001.5.066	3-7	10
46.1001.4.725	3-45	04	46.1001.5.005	3-15	16	46.1001.5.068	3-7	36
46.1001.4.734	3-59	68	46.1001.5.006	3-15	17	46.1001.5.069	3-7	35
46.1001.4.756	3-45	36	46.1001.5.007	3-15	18	46.1001.5.070	3-7	31
46.1001.4.759	3-45	35	46.1001.5.008	3-15	19	46.1001.5.071	3-7	32
46.1001.4.760	3-45	37	46.1001.5.009	3-15	09	46.1001.5.072	3-7	39
46.1001.4.761	3-45	38	46.1001.5.010	3-15	08	46.1001.5.073	3-7	40
			46.1001.5.011	3-15	07	46.1001.5.073	3-11	45
46.1001.4.800			46.1001.5.012	3-15	14	46.1001.5.074	3-7	42
46.1001.4.800	3-53	35	46.1001.5.013	3-15	13	46.1001.5.075	3-7	27
46.1001.4.801	3-53	32	46.1001.5.014	3-15	11	46.1001.5.076	3-7	29
46.1001.4.802	3-53	32	46.1001.5.014	3-55	38	46.1001.5.078	3-7	24
46.1001.4.803	3-53	36	46.1001.5.015	3-15	15	46.1001.5.084	3-7	20
46.1001.4.804	3-53	36	46.1001.5.015	3-55	37	46.1001.5.088	3-7	21
46.1001.4.805	3-53	34	46.1001.5.016	3-15	04	46.1001.5.089	3-11	04
46.1001.4.806	3-53	33	46.1001.5.016	3-55	17	46.1001.5.090	3-11	09
46.1001.4.807	3-53	37	46.1001.5.017	3-15	02	46.1001.5.091	3-11	07
46.1001.4.850	3-59	58	46.1001.5.018	3-15	03	46.1001.5.092	3-11	06
46.1001.4.856	3-59	06	46.1001.5.020	3-3	15	46.1001.5.093	3-11	18

Revised 01/2001

e-mail: service@amfreece.cz; parts@amfreece.cz; website: www.amfreece.com

Phones: +420 582 309 146 (Service), +420 582 309 286 (Spare Parts); Fax: +420 582 360 606

www.promelectroavtomat.ru

INDEX

PART NUMBER	PAGE	DET	PART NUMBER	PAGE	DET	PART NUMBER	PAGE	DET
46.1001.5.094			46.1001.5.255			46.1009.4.589		
46.1001.5.094	3-11	13	46.1001.5.255	3-11	60	46.1009.4.589	3-53	28
46.1001.5.095	3-11	50	46.1001.5.260	3-11	58	46.1016.0.001	3-59	18
46.1001.5.097	3-11	02	46.1001.5.264	3-11	59	46.1018.0.013	3-19	39
46.1001.5.098	3-11	53	46.1001.5.275	3-11	54	46.1109.1.079	3-59	54
46.1001.5.099	3-11	48	46.1001.5.278	3-11	55	46.1109.8.007	3-59	56
46.1001.5.100	3-11	64	46.1001.5.293	3-19	42			
46.1001.5.101	3-11	51	46.1001.5.294	3-19	42	46.1125.5.103		
46.1001.5.105	3-11	67	46.1001.5.295	3-19	42	46.1125.5.103	3-19	38
46.1001.5.106	3-11	71	46.1001.5.296	3-19	41	46.1125.5.112	3-19	60
46.1001.5.107	3-11	70	46.1001.5.297	3-19	41	46.1125.5.113	3-19	62
46.1001.5.108	3-11	49	46.1001.5.298	3-19	41	46.1125.5.156	3-17	11
46.1001.5.109	3-5	29				46.1125.5.157	3-17	10
46.1001.5.110	3-15	06	46.1001.5.414			46.1125.5.158	3-17	9
46.1001.5.111	3-15	01	46.1001.5.414	3-55	04	46.1125.5.168	3-17	02
46.1001.5.156	3-13	34	46.1001.5.415	3-55	10	46.1125.5.169	3-17	13
46.1001.5.157	3-13	17	46.1001.5.415	3-55	15	46.1125.5.594	3-31	49
46.1001.5.158	3-13	18	46.1001.5.416	3-55	18	46.1900.0.033	3-3	09
46.1001.5.159	3-13	24	46.1001.5.419	3-55	23			
46.1001.5.160	3-13	29	46.1001.5.422	3-55	20	48.1001.5.289		
46.1001.5.161	3-13	28	46.1001.5.423	3-55	19	48.1001.5.289	3-33	25-2
46.1001.5.162	3-13	27	46.1001.5.424	3-55	16	48.1001.5.289	3-35	53-2
46.1001.5.164	3-13	21	46.1001.5.425	3-55	25	48.1001.5.289	3-53	25-2
46.1001.5.166	3-13	14	46.1001.5.434	3-53	32	48.1019.0.026	3-33	48
46.1001.5.167	3-13	13	46.1001.5.435	3-53	32	48.1019.0.042	3-39	39
46.1001.5.168	3-13	05	46.1001.5.436	3-53	32	48.1026.0.004	3-25	05b
46.1001.5.169	3-13	03	46.1001.5.437	3-53	32			
46.1001.5.170	3-13	02	46.1001.5.438	3-53	32	48.1092.0.000		
46.1001.5.171	3-13	04	46.1001.5.439	3-53	32	48.1092.0.000	3-3	05
46.1001.5.172	3-13	10	46.1001.5.443	3-23	26	48.1092.0.001	3-3	10
46.1001.5.173	3-13	06	46.1001.5.484	3-19	27	48.1092.0.002	3-5	09
46.1001.5.174	3-13	01	46.1001.5.485	3-19	28	48.1092.0.003	3-5	17
46.1001.5.175	3-13	38	46.1001.5.486	3-19	33	48.1092.0.004	3-5	33
46.1001.5.181	3-13	36				48.1092.0.005	3-5	45
46.1001.5.182	3-13	37	46.1001.8.239			48.1092.0.005	3-7	30
46.1001.5.184	3-5	46	46.1001.8.239	3-7	04	48.1092.0.006	3-5	43
			46.1002.0.126	3-55	30	48.1092.0.007	3-7	09
46.1001.5.200			46.1003.2.719	3-59	52	48.1092.0.010	3-9	02
46.1001.5.200	3-19	41	46.1003.6.133	3-59	40	48.1092.0.011	3-9	05
46.1001.5.202	3-19	42	46.1003.7.108	3-55	34	48.1092.0.012	3-9	07
46.1001.5.223	3-29	24	46.1006.0.245	3-55	05	48.1092.0.013	3-9	10
46.1001.5.235	3-59	69	46.1008.0.232	3-55	27	48.1092.0.015	3-9	16
46.1001.5.240	3-33	35	46.1008.0.705	3-55	28	48.1092.0.017	3-9	21
46.1001.5.240	3-35	63	46.1008.5.276	3-55	29	48.1092.0.018	3-9	23
46.1001.5.243	3-35	64	46.1009.3.514	3-55	35	48.1092.0.020	3-11	31
46.1001.5.243	3-33	36	46.1009.3.535	3-55	33	48.1092.0.021	3-11	20

Revised 01/2001

INDEX

PART NUMBER	PAGE	DET	PART NUMBER	PAGE	DET	PART NUMBER	PAGE	DET
48.1092.0.022			48.1900.0.035			48.1900.0.102		
48.1092.0.022	3-9	24	48.1900.0.035	3-5	02	48.1900.0.102	3-11	37
48.1092.0.073	3-9	09	48.1900.0.036	3-5	08			
48.1093.0.000	3-7	34	48.1900.0.039	3-5	16			
48.1093.0.001	3-7	38	48.1900.0.040	3-5	26			
48.1093.0.002	3-11	44	48.1900.0.041	3-5	27			
48.1093.0.003	3-11	26	48.1900.0.042	3-5	28			
48.1093.0.004	3-11	36	48.1900.0.043	3-5	31			
			48.1900.0.044	3-5	32			
48.1106.6.013			48.1900.0.045	3-5	36			
48.1106.6.013	3-59	33	48.1900.0.047	3-5	39			
48.1120.0.075	3-17	25	48.1900.0.048	3-5	40			
48.1125.3.220	3-27	69	48.1900.0.049	3-5	49			
			48.1900.0.050	3-5	44			
48.1125.5.231			48.1900.0.051	3-5	41			
48.1125.5.231	3-19	21	48.1900.0.052	3-5	42			
48.1125.5.246	3-19	18	48.1900.0.053	3-7	14			
48.1125.5.303	3-33	25-1	48.1900.0.054	3-7	15			
48.1125.5.303	3-35	53-1	48.1900.0.055	3-7	18			
48.1125.5.303	3-53	25-1	48.1900.0.067	3-9	01			
48.1125.5.409	3-35	32	48.1900.0.069	3-9	03			
48.1125.5.416	3-43	16	48.1900.0.070	3-9	04			
48.1125.5.421	3-33	01	48.1900.0.071	3-9	06			
48.1125.5.432	3-31	16	48.1900.0.072	3-9	08			
48.1125.5.443	3-35	29	48.1900.0.074	3-9	11			
48.1125.5.505	3-29	28	48.1900.0.075	3-9	12			
48.1125.5.506	3-29	29	48.1900.0.076	3-9	13			
48.1125.5.507	3-29	32	48.1900.0.077	3-9	14			
48.1125.5.524	3-25	03	48.1900.0.078	3-9	15			
48.1125.5.565	3-29	35	48.1900.0.080	3-9	19			
48.1125.5.594	3-31	49	48.1900.0.081	3-9	20			
48.1125.5.627	3-17	01	48.1900.0.082	3-9	22			
48.1125.5.721	3-31	43	48.1900.0.086	3-11	01			
48.1125.5.721	3-53	23	48.1900.0.087	3-11	56			
48.1125.5.745	3-19	34	48.1900.0.088	3-11	61			
48.1125.5.849	3-35	34	48.1900.0.089	3-11	30			
48.1125.5.853	3-35	14	48.1900.0.090	3-11	33			
48.1125.5.898	3-59	01	48.1900.0.091	3-11	43			
48.1125.5.960	3-39	43-2	48.1900.0.092	3-11	42			
48.1125.6.040	3-55	09	48.1900.0.093	3-11	25			
			48.1900.0.095	3-11	19			
48.1900.0.002			48.1900.0.096	3-11	23			
48.1900.0.002	3-25	04b	48.1900.0.097	3-11	11			
48.1900.0.030	3-3	01	48.1900.0.098	3-11	12			
48.1900.0.032	3-3	06	48.1900.0.099	3-11	27			
48.1900.0.034	3-5	01	48.1900.0.101	3-11	29			

Revised 01/2001

e-mail: service@amfreece.cz; parts@amfreece.cz; website: www.amfreece.com

Phones: +420 582 309 146 (Service), +420 582 309 286 (Spare Parts); Fax: +420 582 360 606

www.promelectroavtomat.ru

INDEX
