

TABLE OF CONTENTS

TABLE FRAME	3-2
KLAMMER MOTOR	3-4
KLAMMER MOTOR	3-6
KLAMMER	3-8
KLAMMER LEG LEFT	3-11
KLAMMER LEG RIGHT	3-12
CLAMP HOLDER	3-14
TAB KNIFE ASSEMBLY	3-16
PATCH GUIDE	3-18
DART STRETCHER	3-20
PATCH GUIDE ASSEMBLY	3-22
PATCH GUIDE ASSEMBLY FOR ZIPPER SEWING SYSTEM	3-24
PATCH GUIDE ASSEMBLY FOR ZIPPER SEWING SYSTEM	3-26
ZIPPER CUTTING ASSEMBLY	3-28
VACUUM SYSTEM WITH PELON FEED	3-30
VACUUM OR PELON PLATE	3-32
VACUUM SYSTEM	3-34
PELON CAR - RGSYSTEM	3-36
GARMENT REMOVER ASSEMBLY	3-38
SENSOR ASSEMBLY FOR GARMENT REMOVER	3-40
VALVES	3-42
CONTROL PANEL ASSEMBLY	3-44
SEWING ASSEMBLY	3-46
THREAD PICK-UP ASSEMBLY	3-48
BOBBIN THREAD MONITOR	3-50
CENTER KNIFE SYSTEM	3-52
CANCELLING SYST.	3-54
STACKER	3-56
STACKER	3-58
STAKKER CONNECTOR ARM	3-60
SEWING HEAD ASSEMBLY	3-62
SEWING HEAD ASSEMBLY	3-65
SEWING HEAD ASSEMBLY	3-67
TOOLS AND SPARE PARTS	3-68

TABLE FRAME

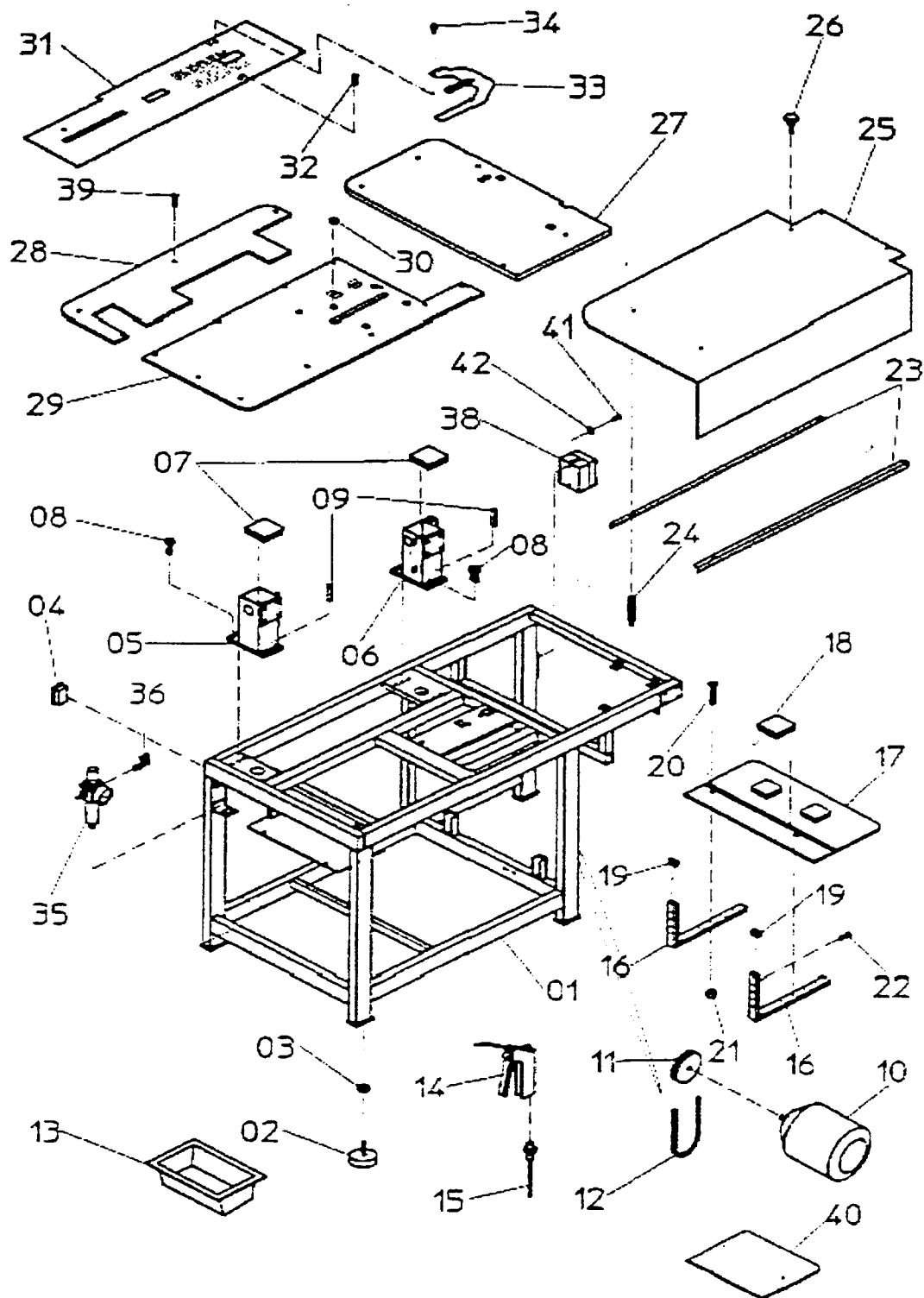
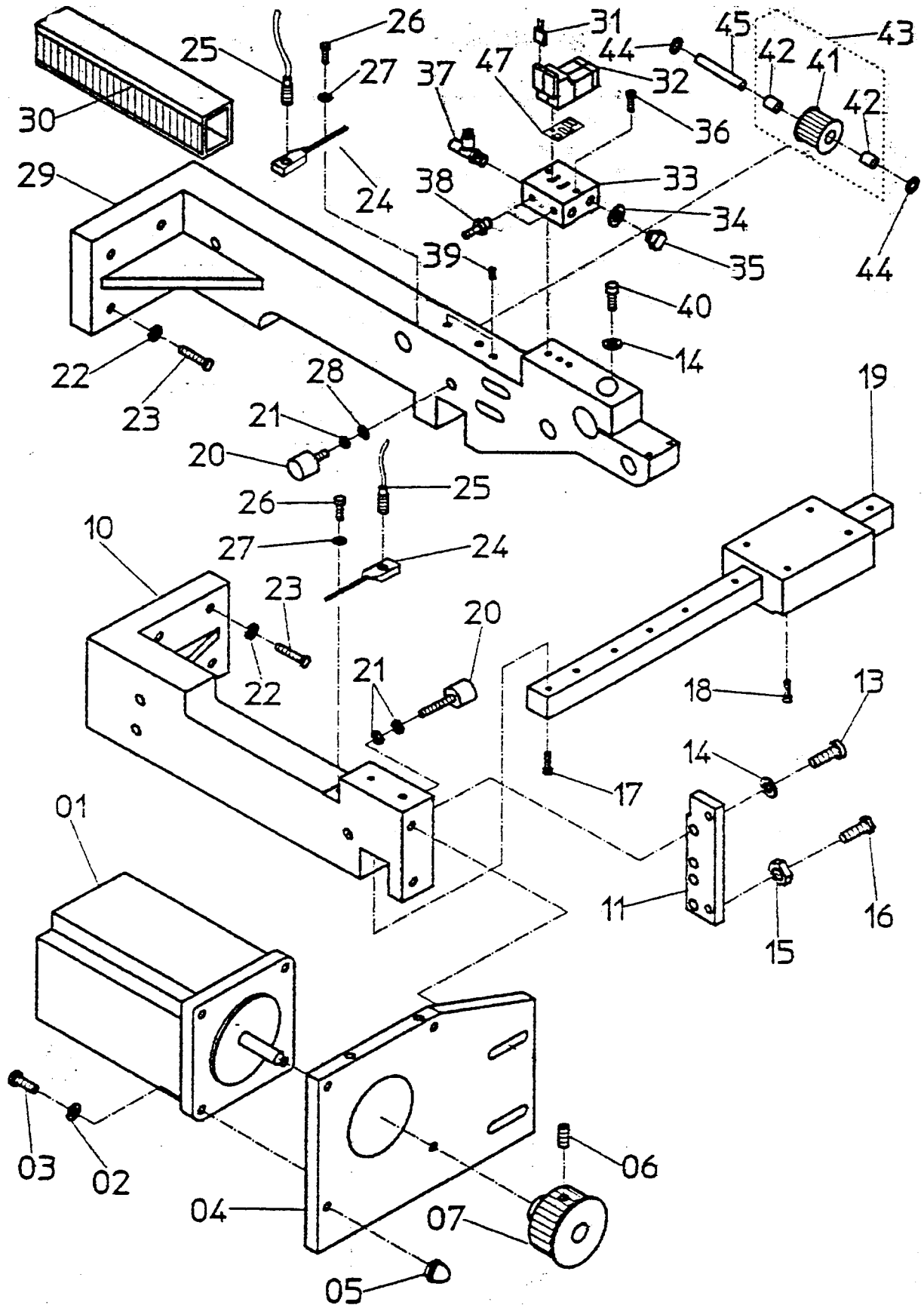


TABLE FRAME

DET	PART NUMBER	DESCRIPTION	DET	PART NUMBER	DESCRIPTION
1	67.1101.0.001	Table Frame	23	67.1118.0.001	Cover Plate Bracket
2	67.1102.0.001	Rubber Bumper	24	67.1119.0.001	Shoulder Bolt
3	03.8702.9.010	Nut M12	25	67.1120.0.001	Cover plate
4	67.1103.0.001	Stop	26	67.1121.0.001	Screw
5	67.1104.0.001	Bearing Bracket	27	67.1122.0.001	Tableplate without pellon feed
6	67.1105.0.001	Bearing Bracket		67.1123.0.001	Table plate with pellon feed
7	67.1106.0.001	Stop	28	67.1124.0.001	Table plate
8	03.8002.8.025	Screw M8x25	29	67.1125.0.010	Table plate
9	67.1107.0.001	Pin	30	67.1126.0.001	Magnet
10	67.1108.0.001	Motor	31	67.1127.0.010	Slideplate without pellon feed
11	67.1109.0.001	Belt pulley		67.1128.0.010	Slide plate with pellon feed.
12	67.1110.0.001	V- belt	32	67.1129.0.001	Magnet
13	67.1111.0.001	Drawer	33	67.1130.0.001	Pocket Guide Spring
14	67.1112.0.001	Air Gun	34	03.8002.3.006	Screw M3x6
15	67.1113.0.001	Fitting 1/8-6	35	67.0014.0.001	Filter Regulator
16	67.1114.0.001	Treadle	36	67.0012.0.001	Air Fitting 1/8-6-2
17	67.1115.0.001	Treadle plate	38	67.1131.0.001	Main switch
18	67.1116.0.001	Foot Switch	39	03.8142.4.015	Screw M4x15
19	67.1117.0.001	Stop	40	67.1132.0.001	Belt Support
20	03.8142.4.025	Screw M4x25	41	03.8002.4.010	Screw M4x10
21	03.8702.4.005	Nut M4	42	03.8872.4.002	Washer M4
22	03.8002.8.045	Screw M8x45			

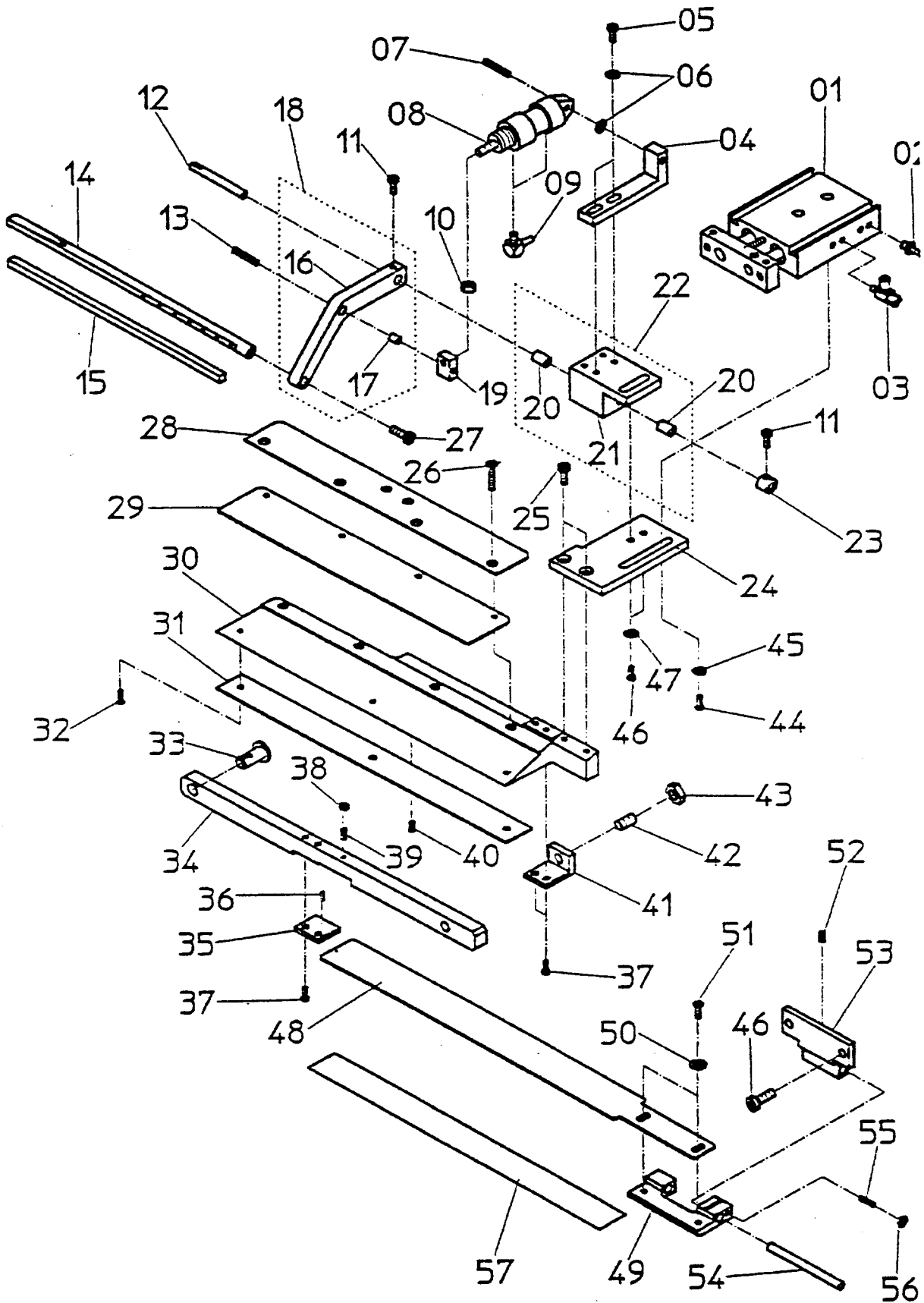
KLAMMER MOTOR



KLAMMER MOTOR

DET	PART NUMBER	DESCRIPTION	DET	PART NUMBER	DESCRIPTION
1	67.1201.0.002	Clamping Motor	25	67.1222.0.112	Switch
2	03.8872.5.002	Washer M5	26	03.8412.4.015	Screw M4x15
3	03.8002.5.025	Screw M5x25	28	03.8872.6.002	Washer M6
4	67.1202.0.002	Motor Plate	29	67.1209.0.002	Front Arm
5	03.8702.5.004	Nut M5	30	67.1210.0.002	Cable channel 200
6	03.8412.4.006	Screw M4x6	31	67.1211.0.002	Plug
7	67.1203.0.002	Drive Pulley	32	67.1220.0.320	Solenoid Valve 3/2
10	67.1204.0.002	Rear Arm	33	67.1222.0.320	Base plate 3/2
11	67.1205.0.002	Bracket	34	67.1212.0.002	Washer
13	03.8002.5.020	Screw M5x20	35	67.1213.0.002	Plug
14	03.8872.5.002	Washer M5	36	03.8002.4.025	Screw M4x25
15	03.8722.5.010	Nut M5	37	67.0008.0.002	Fitting 1/8-6
16	03.8002.5.025	Screw M5x25	38	67.0004.0.001	Fitting 5/4
17	03.8002.8.040	Screw M8x40	39	03.8412.4.006	Screw M4x6
18	03.8302.0.030	Screw M10x30	40	03.8002.6.040	Screw M6x40
19	67.1206.0.002	Linear Motor Bearing	41	67.1214.0.002	Pulley
20	67.1207.0.002	Rubber Bumper	42	67.1215.0.002	Ball Bearing
21	03.8702.6.005	Nut M6	43	67.1216.0.002	Pulley Complete
22	03.8872.8.002	Washer M8	44	03.8872.8.002	Washer M8
23	03.8002.8.040	Screw M8x40	45	67.1217.0.002	Shaft
24	67.1208.0.002	Switch Bracket	47	67.1219.0.320	Gasket 3/2

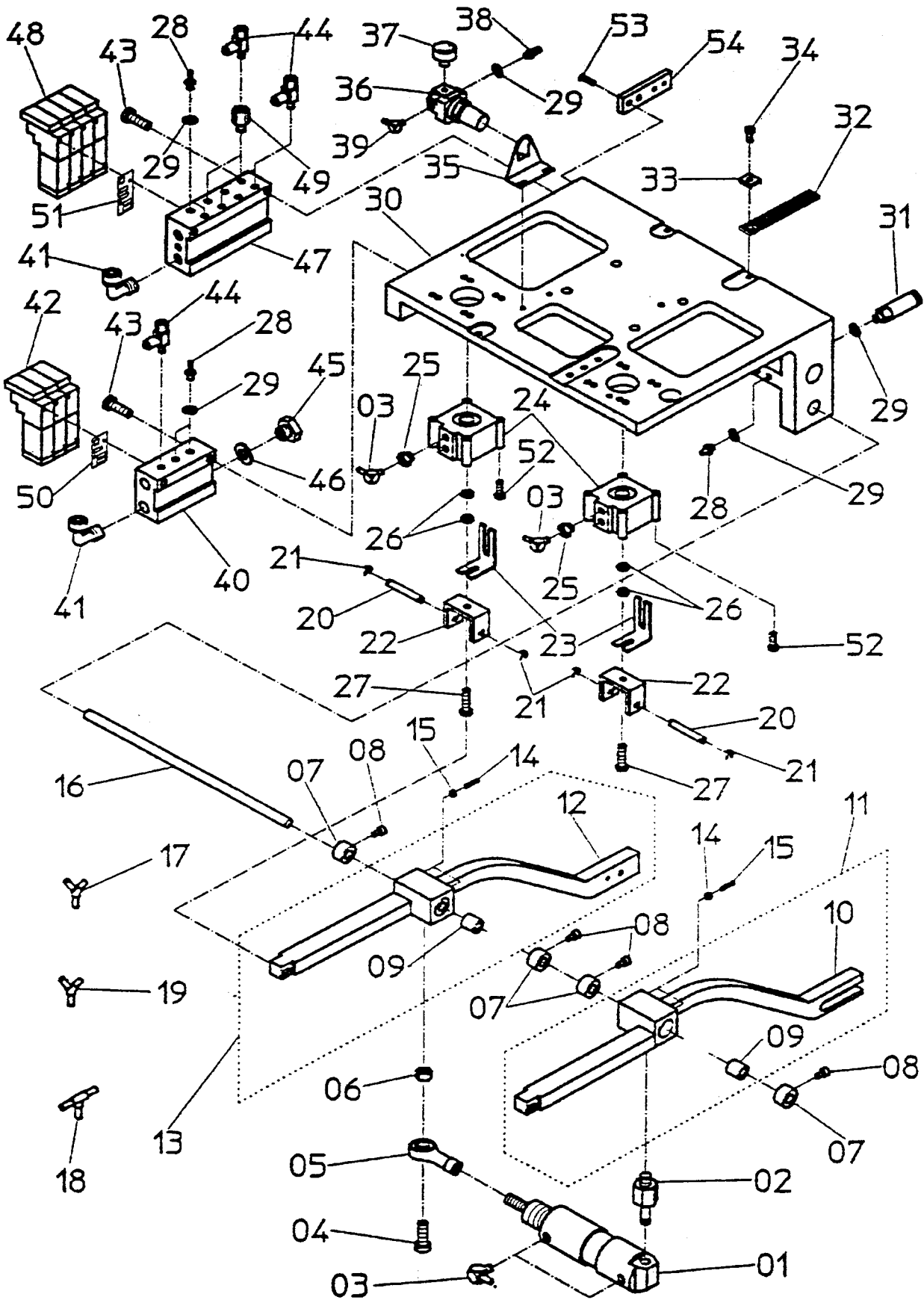
KLAMMER MOTOR



KLAMMER MOTOR

DET	PART NUMBER	DESCRIPTION	DET	PART NUMBER	DESCRIPTION
1	67.1201.0.002	Clamping Motor	25	67.1222.0.112	Switch
2	03.8872.5.002	Washer M5	26	03.8412.4.015	Screw M4x15
3	03.8002.5.025	Screw M5x25	28	03.8872.6.002	Washer M6
4	67.1202.0.002	Motor Plate	29	67.1209.0.002	Front Arm
5	03.8702.5.004	Nut M5	30	67.1210.0.002	Cable channel 200
6	03.8412.4.006	Screw M4x6	31	67.1211.0.002	Plug
7	67.1203.0.002	Drive Pulley	32	67.1220.0.320	Solenoid Valve 3/2
10	67.1204.0.002	Rear Arm	33	67.1222.0.320	Base plate 3/2
11	67.1205.0.002	Bracket	34	67.1212.0.002	Washer
13	03.8002.5.020	Screw M5x20	35	67.1213.0.002	Plug
14	03.8872.5.002	Washer M5	36	03.8002.4.025	Screw M4x25
15	03.8722.5.010	Nut M5	37	67.0008.0.002	Fitting 1/8-6
16	03.8002.5.025	Screw M5x25	38	67.0004.0.001	Fitting 5/4
17	03.8002.8.040	Screw M8x40	39	03.8412.4.006	Screw M4x6
18	03.8302.0.030	Screw M10x30	40	03.8002.6.040	Screw M6x40
19	67.1206.0.002	Linear Motor Bearing	41	67.1214.0.002	Pulley
20	67.1207.0.002	Rubber Bumper	42	67.1215.0.002	Ball Bearing
21	03.8702.6.005	Nut M6	43	67.1216.0.002	Pulley Complete
22	03.8872.8.002	Washer M8	44	03.8872.8.002	Washer M8
23	03.8002.8.040	Screw M8x40	45	67.1217.0.002	Shaft
24	67.1208.0.002	Switch Bracket	47	67.1219.0.320	Gasket 3/2

KLAMMER



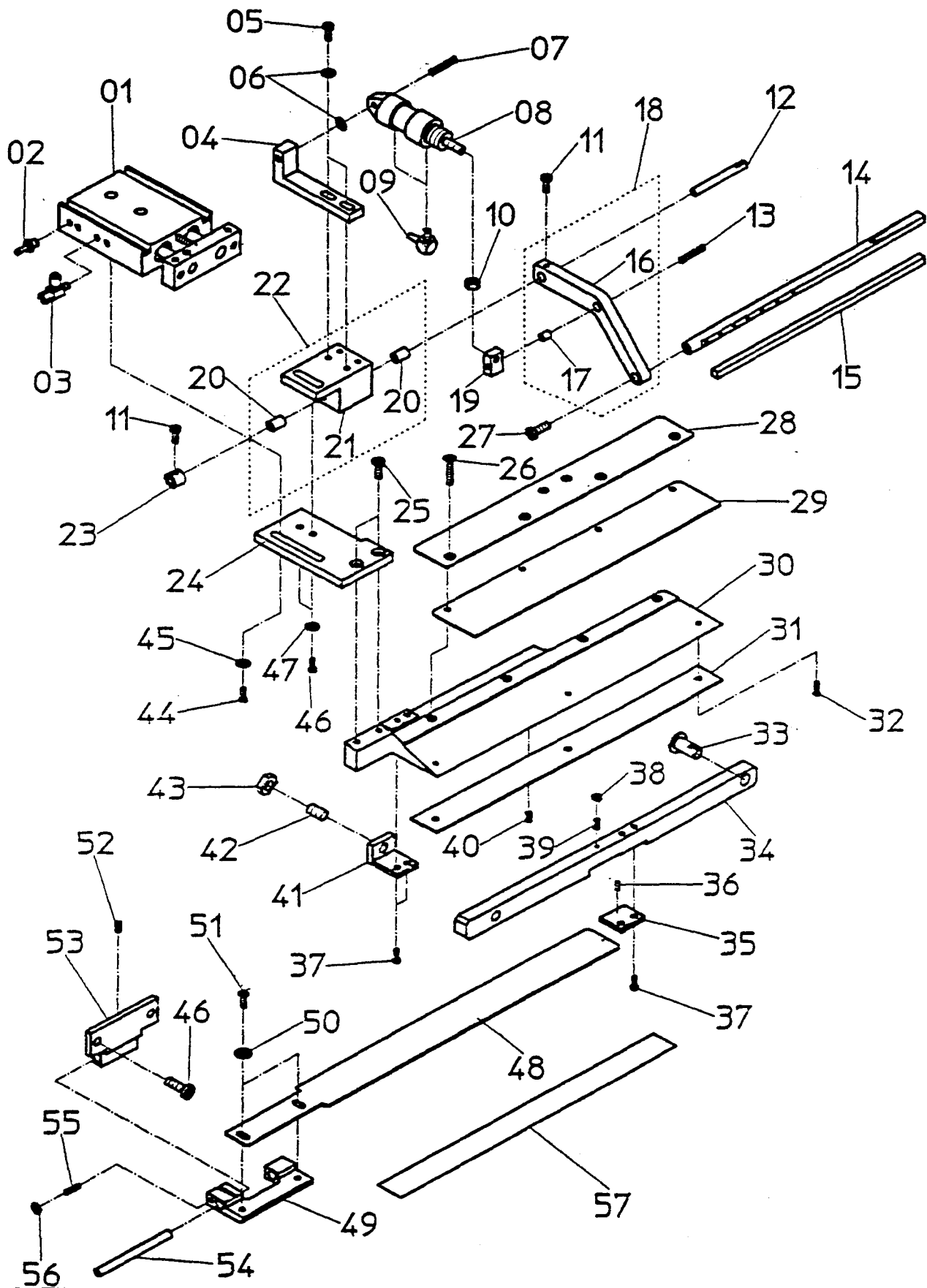
KLAMMER

DET	PART NUMBER	DESCRIPTION	DET	PART NUMBER	DESCRIPTION
1	67.0030.0.001	Cylinder 30x15	28	67.0004.0.001	Fitting 5/4
2	67.1301.0.003	Bolt	29	67.0004.0.002	Washer 5/4
3	67.0004.0.002	Fitting 5/4	30	67.1319.0.003	Clamp housing
4	67.1303.0.003	Screw	31	67.0008.0.001	Plug in connection 5/4
5	67.0016.0.002	Ball Joint 6mm	32	67.1320.0.003	Timing Belt
6	03.8702.6.005	Nut M6	33	67.1321.0.003	Clamp
7	67.1304.0.003	Set Collar	34	03.8002.4.015	Screw M4x15
8	67.1305.0.003	Screw M4x10	35	67.0015.0.001	Mounting Bracket
9	67.1306.0.003	Sleeve	36	67.0015.0.002	Pressure Regulator
10	67.1307.0.003	Left Clamp arm	37	67.0015.0.003	Pressure gauge
11	67.1308.0.003	L.Clamparmcomplete	38	67.0006.0.001	Fitting5/4
12	67.1309.0.003	Right Clamp arm	39	67.0006.0.002	Fitting5/4
13	67.1310.0.003	R.Clamparmcomplete	40	67.1223.0.320	Base plate 3/3
14	03.8412.4.020	Screw M4x20	41	67.0007.0.001	Fitting 1/8-6
15	03.8702.4.003	Nut M4	42	67.1220.0.320	Selenoit Valve 3/2
16	67.1314.0.003	Shaft	43	03.8002.4.025	Screw M4x25
17	67.0033.0.001	Connector Y-PK 4	44	67.0010.0.001	Flow Control 5/4
18	67.0033.0.002	Connector Y-PK 2	45	67.0009.0.002	Fitting 1/8
19	67.0032.0.001	*T*fitting Y-PK 2	46	67.0009.0.003	Washer 1/8-6
20	67.1315.0.003	Shaft	47	67.1124.0.520	Base Plate 5/4
21	67.1316.0.003	*C*Clip	48	67.1120.0.520	Selenoit Valve 5/2
22	67.1317.0.003	Clamp arm holder	49	67.0013.0.001	Fitting 5/5
23	67.1318.0.003	Cylinder Bracket	50	67.1219.0.320	Gasket 3/2
24	67.0029.0.001	Cylinder 32x10	51	67.1119.0.520	Gasket 5/2
25	67.0035.0.001	Fitting1/8-5	52	03.8002.5.040	Screw M5x40
26	03.8702.8.004	Nut M8	53	03.8112.3.006	Screw M3x6
27	03.8302.8..025	Screw M8x25	54	67.1322.0.003	Cover Plate

KLAMMER LEG LEFT

DET	PART NUMBER	DESCRIPTION	DET	PART NUMBER	DESCRIPTION
1	67.0028.0.001	Cilinder 15x10	29	67.1417.0.004	Workholder bar
2	67.0004.0.002	Fitting 5/4	30	67.1418.0.004	Clamp left
3	67.0010.0.001	Flow control 5/5	31	67.1419.0.004	Clamp Mat
4	67.1401.0.004	Cylinder Bracket	32	03.8112.3.004	Screw M3x4
5	03.8002.4.015	Screw M4x15	33	67.1420.0.004	Bolt
6	03.8872.4.002	Washer M4	34	67.1421.0.004	Clamp arm
7	67.1402.0.004	Taper Pin	35	67.1422.0.004	Cover plate
8	67.0036.0.001	Cylinder 17x12	36	67.1423.0.004	Spring
9	67.0004.0.002	Fitting 5/4	37	03.8102.4.010	Screw M4x10
10	03.8702.4.003	Nut M4	38	03.8702.4.003	Nut M4
11	03.8002.4.010	Screw M4x10	39	03.8412.4.020	Screw M4x20
12	67.1404.0.004	Pin	40	03.8412.4.005	Scew M4x5
13	67.1405.0.004	Taper Pin	41	67.1424.0.004	Bracket
14	67.1406.0.004	Flap clamp	42	03.8012.8.015	Screw M8x15
15	67.1406.0.005	Rubber Strip	43	03.8702.8.007	Nut M8
16	67.1407.0.004	Lever	44	03.8002.4.015	Screw M4x15
17	67.1408.0.004	Bushing	45	03.8872.4.002	Washer M4
18	67.1409.0.004	Lever Complete	46	03.8002.4.020	Screw M4x20
19	67.1410.0.004	Cover plate	47	03.8872.4.002	Washer M4
20	67.1411.0.004	Sleeve	48	67.1425.0.004	Brush Blade
21	67.1412.0.004	Holder	49	67.1426.0.004	Left Plate
22	67.1413.0.004	Holder complete	51	03.8302.4.006	Screw M4x6
23	67.1414.0.004	Set collar	52	03.8412.3.005	Screw M3x5
24	67.1415.0.004	Plate	53	67.1427.0.004	Plate
25	03.8102.4.012	Screw M4x12	54	67.1428.0.004	Shaft
26	03.8112.3.006	Screw M3x6	55	03.8412.3.015	Screw M3x15
27	03.8032.6.020	Screw M6x20	56	03.8702.3.002	Nut M3
28	67.1416.0.004	Plate	57	67.1429.0.004	Reflective Tape

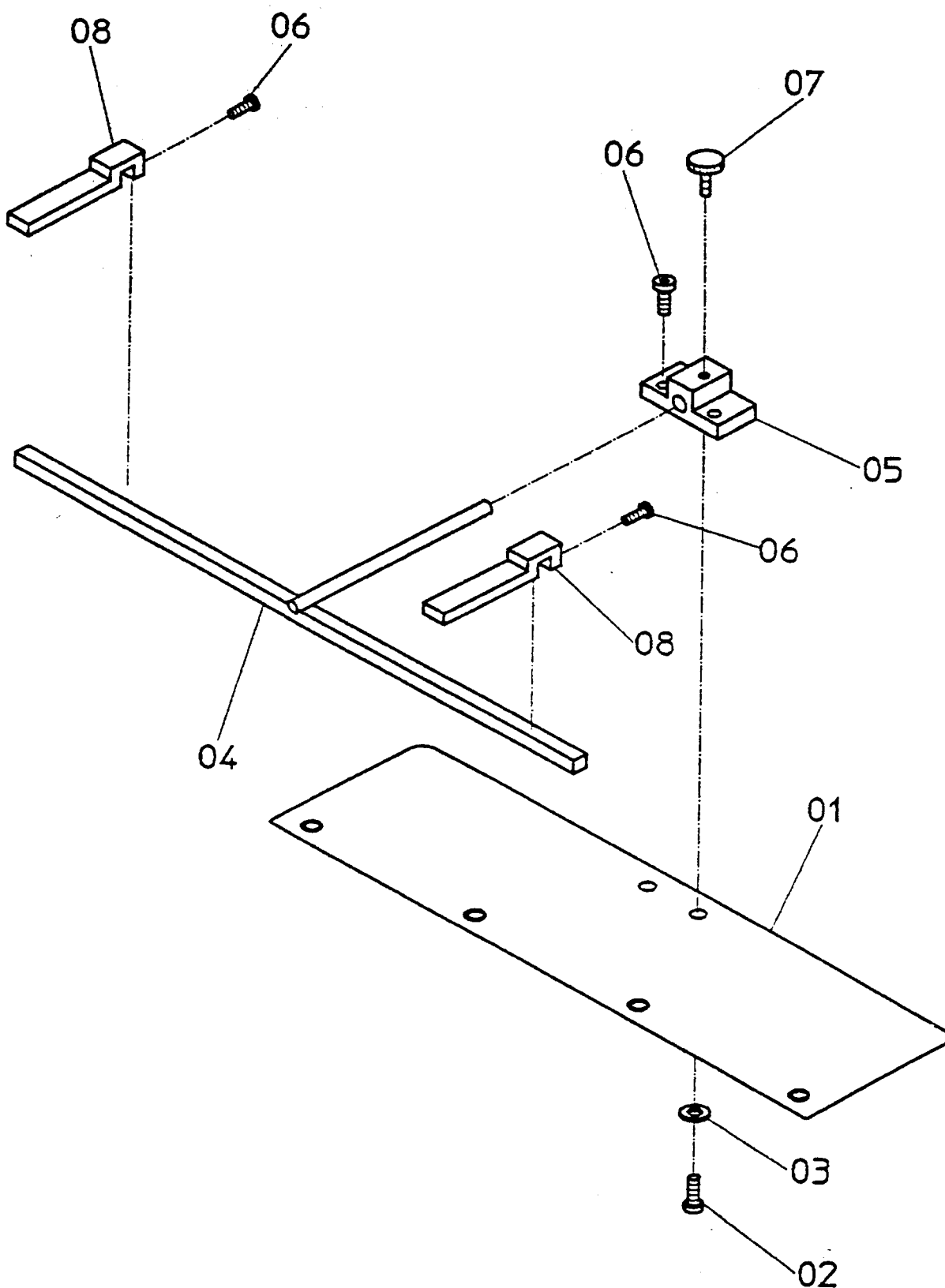
KLAMMER LEG RIGHT



KLAMMER LEG RIGHT

DET	PART NUMBER	DESCRIPTION	DET	PART NUMBER	DESCRIPTION
1	67.0028.0.001	Cylinder 15x10	30	67.1518.0.005	Clamp right
2	67.0004.0.001	Fitting 5/4	31	67.1419.0.004	Clamb Mat
3	67.0010.0.001	Flow Control 5/5	32	03.8112.3.004	Screw M3x4
4	67.1401.0.004	Cylinder Bracket	33	67.1420.0.004	Bolt
5	03.8002.4.015	Screw M4x15	34	67.1421.0.004	Clamp arm
6	03.8872.4.002	Washer M4	35	67.1422.0.004	Cover plate
7	67.1402.0.004	Notched Taper Pin	36	67.1423.0.004	Spring
8	67.0036.0.001	Cylinder 17x12	37	03.8102.4.010	Screw M4x10
9	67.0004.0.002	Fitting 5/4	38	03.8702.4.003	Nut M4
10	03.8702.4.003	Nut M4	39	03.8412.4.020	Screw M4x20
11	03.8002.4.010	Screw M4x10	40	03.8412.4.005	Screw M4x5
12	67.1404.0.004	Pin	41	67.1424.0.004	Bracket
13	67.1405.0.004	Taper Pin	42	03.8012.8.015	Screw M8x15
14	67.1406.0.004	Clamp	43	03.8702.8.007	Nut M8
15	67.1406.0.005	Rubber Strip	44	03.8002.4.015	Screw M4x15
16	67.1407.0.004	Lever	45	03.8872.4.002	Washer M4
17	67.1408.0.004	Bushing	46	03.8002.4.020	Screw M4x20
18	67.1409.0.004	Lever complete	47	03.8872.4.002	Washer M4
19	67.1410.0.004	Cover plate	48	67.1525.0.005	Brush Blade
20	67.1411.0.004	Sleeve	49	67.1526.0.005	Plate Right
21	67.1412.0.004	Holder	51	03.8302.4.006	Screw M4x6
22	67.1413.0.004	Holder complete	52	03.8412.3.005	Screw M3x5
23	67.1414.0.004	Set Collar	53	67.1527.0.005	Plate
24	67.1515.0.005	Plate	54	67.1428.0.004	Shaft
25	03.8102.4.012	Screw M4x12	55	03.8412.3.015	Screw M3x15
26	03.8112.3.006	Screw M3x6	56	03.8702.3.002	Nut M3
27	03.8002.6.020	Screw M6x20	57	67.1429.0.004	Reflective Tape
28	67.1416.0.004	Plate			
29	67.1417.0.004	Workholder Bar			

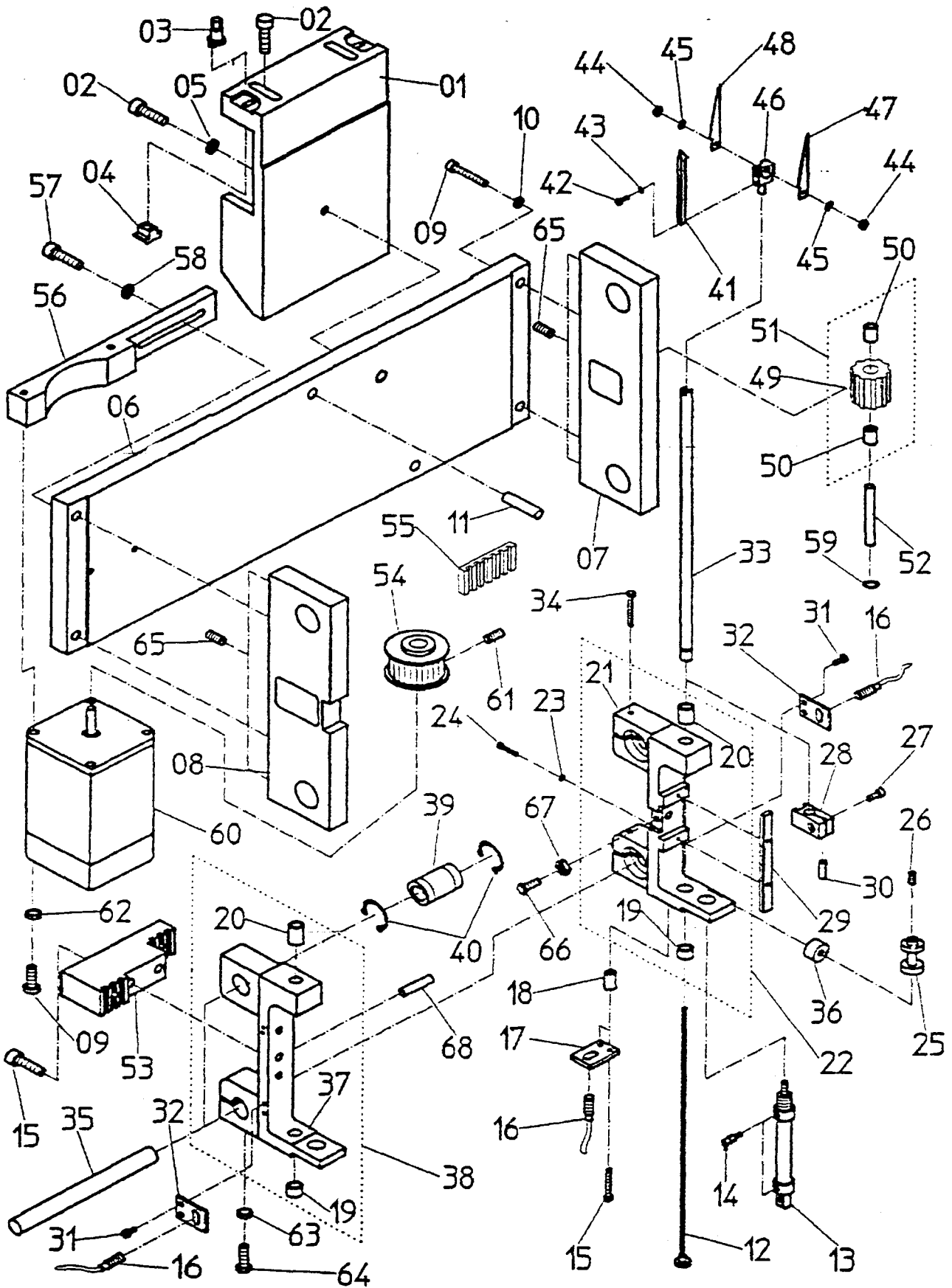
CLAMP HOLDER



CLAMP HOLDER

DET	PART NUMBER	DESCRIPTION
1	67.1416.0.004	Plate
2	03.8002.4.010	Screw M4x10
3	03.8872.4.002	Washer M4
4	67.1602.0.006	Guide
5	67.1603.0.006	Clamp
6	03.8002.3.006	Screw M3x6
7	03.8112.4.010	Screw M4x10
8	67.1604.0.006	Guide Bracket

TAB KNIFE ASSEMBLY



TAB KNIFE ASSEMBLY

DET	PART NUMBER	DESCRIPTION	DET	PART NUMBER	DESCRIPTION
1	67.1700.0.001	Support Bracket	33	67.1722.0.007	Privot Shaft
2	03.8002.8.030	Screw M8x30	34	03.8.002.4.040	Screw M4x40
3	67.1701.0.007	Eccentric	35	67.1723.0.007	Shaft
4	67.1702.0.008	M8 Guide Nut	36	67.1724.0.007	Collar
5	03.8872.8.002	Washer M8	37	67.1725.0.007	Slide Bracket
6	67.1703.0.007	Base plate	38	67.1726.0.007	Slide Bracket Complete
7	67.1704.0.007	Right Flange	39	67.1727.0.007	Bearing
8	67.1705.0.007	Holder	40	67.1728.0.007	*C* Clip
9	03.8002.5.020	Screw M5x20	41	67.1729.0.007	Pointer
10	67.1706.0.007	Spri.washer M5	42	03.8412.3.005	Screw M3x5
11	67.1707.0.007	Pin	44	03.8702.3.002	Nut M3
12	67.1708.0.007	Draw Scahft	45	03.8872.3.002	Washer M3
13	67.0016.0.001	Cylinder 16x80	46	67.2047.1.010	Knife carrier 10.12mm
14	67.0006.0.003	Fitting 5/6	47	67.2047.1.001	Tab Knife 10-12
15	03.8002.4.020	Screw M4x20	48	67.2047.1.002	Tab Knife 10-12
16	67.1211.0.111	Switch	49	67.1730.0.007	Pulley
17	67.1709.0.007	Switch	50	67.1731.0.007	Bushing
18	67.1710.0.007	Spacer	51	67.1732.0.007	Pulley Complete
19	67.1711.0.007	Sleeve Bearing	52	67.1733.0.007	Shaft
20	67.1712.0.007	Sleeve Bearing	53	67.1734.0.007	Clamp
21	67.1713.0.007	Slide Bracket	54	67.1735.0.007	Timing Pulley
22	67.1714.0.007	Slide Bracket Comp.	55	67.1736.0.007	Timing Belt
23	67.1715.0.007	Washer M4	56	67.1737.0.007	Motor Support
24	67.1716.0.007	Screw M4x15	57	03.8002.4.015	Screw M4x15
25	67.1717.0.007	Roller	58	03.8872.4.002	Washer M4
26	03.8412.6.010	Screw M6x10	60	67.1738.0.007	Tab Knife Motor
27	03.8002.5.015	Screw M5x15	61	03.8412.4.006	Screw M4x6
28	67.1718.0.007	Actuator	62	03.8872.5.003	Serrated Lock washer M5
29	67.1719.0.007	Guide Bar	63	03.8872.4.002	Washer M4
30	67.1720.0.007	Pin	64	03.8302.4.010	Screw M4x10
31	03.8002.4.010	Screw M4x10	65	03.8412.4.010	Screw M4x10
32	67.1721.0.007	Bracket			

AMF
Better

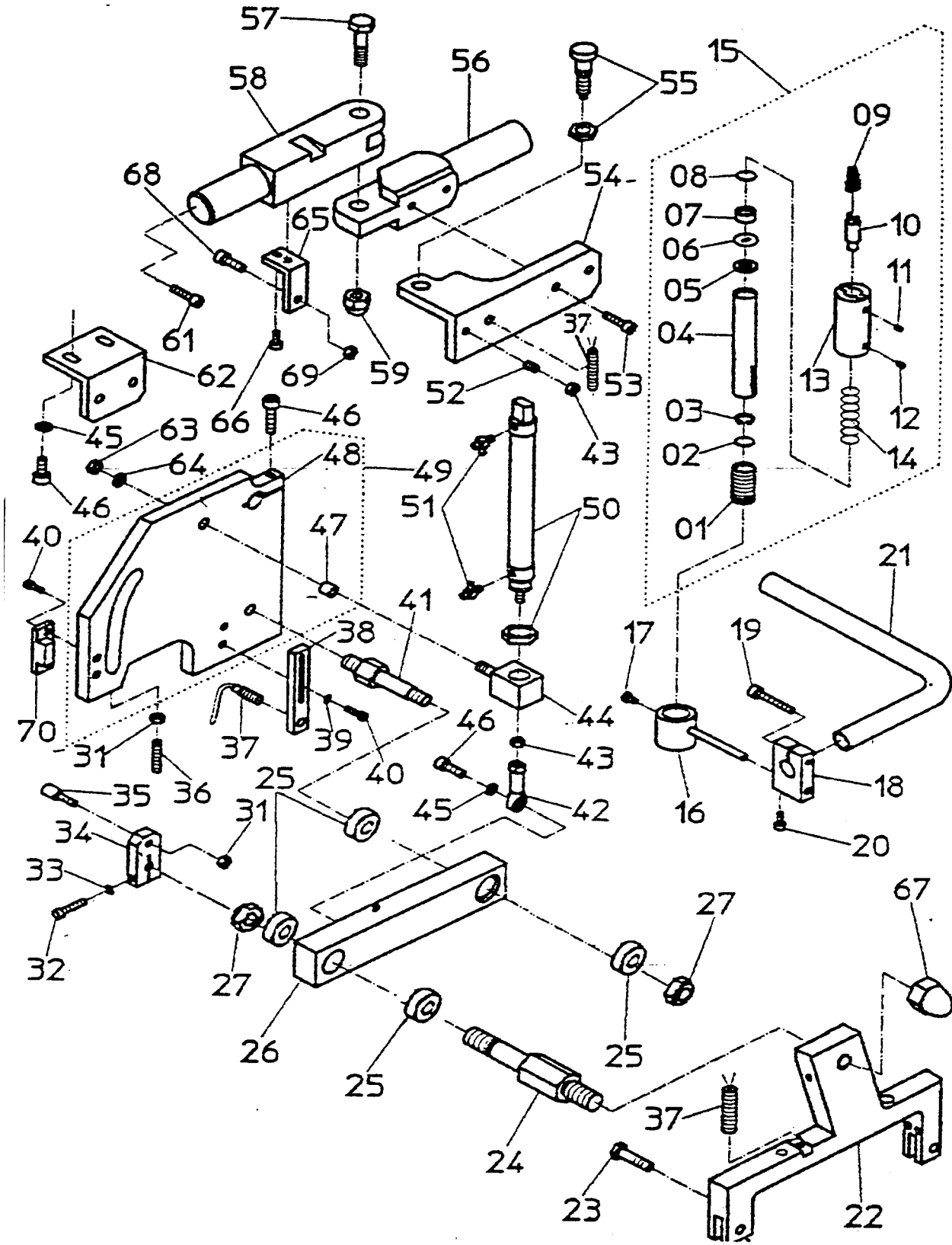
Released 02/2001

U.S. Phone 800-237-3323

Outside U.S. Phone 1-804-559-5000 Fax 1-804-559-5210, www.amfreece.com

www.promelectroavtomat.ru

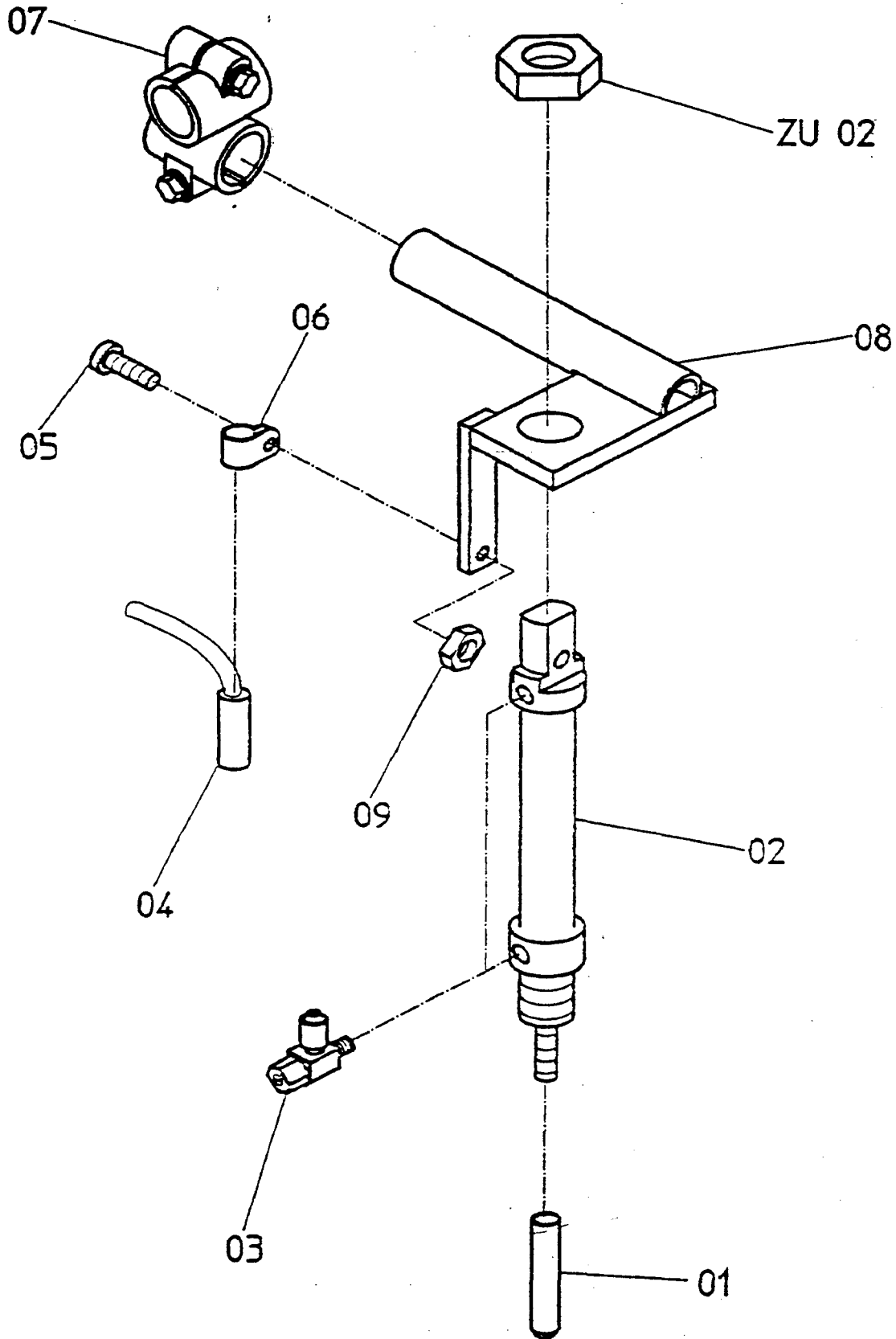
PATCH GUIDE



PATCH GUIDE

DET	PART NUMBER	DESCRIPTION	DET	PART NUMBER	DESCRIPTION
1	67.1801.0.008	Lens AdjustingScrew	36	03.8412.6.030	Screw M6x30
2	67.1802.0.008	Lens	37	67.1211.0.111	Switch
3	67.1803.0.008	*C* Clip	38	67.1823.0.008	Holder
4	67.1804.0.008	Tube	39	03.8872.4.002	Washer M4
5	03.8872.8.002	X-Mark	40	03.8002.4.015	Screw M4x15
6	67.1805.0.008	Mark	41	67.1824.0.008	Bolt
7	67.1806.0.008	Washer	42	67.0016.0.002	6mm Ball joint
8	67.1807.0.008	Lens	43	03.8702.6.005	Nut M6
9	67.1808.0.008	Connector	44	67.1825.0.008	Holder
10	67.1809.0.008	Lamp	45	03.8872.6.002	Washer M6
11	03.8412.4.004	Screw M4x4	46	03.8002.6.020	Screw M6x20
12	03.8412.4.005	Screw M4x5	47	67.1826.0.008	Bushing
13	67.1810.0.008	Holder	48	67.1827.0.008	Plate
14	67.1811.0.008	Spring	49	67.1828.0.008	Plate complete
15	67.1812.0.008	Positionlightcomplete	50	67.0016.0.001	Cylinder 16x80
16	67.1813.0.008	Holder	51	67.0010.0.001	Flow Contol 5/4
17	03.8002.4.020	Screw M4x10	52	03.8412.6.020	Screw M6x20
18	67.1814.0.008	Clamp	53	03.8002.6.030	Screw M6x20
19	03.8002.4.025	Screw M4x25	54	67.1829.0.008	Bracket
20	03.8302.4.010	Screw M4x10	55	67.1830.0.008	Bolt and Nut
21	67.1815.0.008	Support	56	67.1831.0.008	Pivot Arm
22	67.1816.0.008	Patch guide holder	57	67.1832.0.008	Shoulder Bolt
23	67.1817.0.008	Shoulder Bolt	58	67.1833.0.008	Pivot Arm
24	67.1818.0.008	Bolt	59	67.1333.0.008	Cup nut
25	67.1819.0.008	Ball bearing	61	03.8002.6.020	Screw M6x20
26	67.1820.0.008	Swing arm	62	67.1834.0.008	Angel Bracket
27	03.8702.9.010	Nut M12	63	03.8702.8.007	Nut M8
31	03.8702.6.005	Nut M6	64	03.8872.8.002	Washer M8
32	03.8002.6.030	Screw M6x30	65	67.1835.0.008	Bracket
33	03.8872.6.002	Washer M6	66	03.8002.6.020	Screw M6x20
34	67.1821.0.008	Clamp	68	03.8302.8.020	Screw M8
35	67.1822.0.008	Roll	69	03.8702.8.007	Nut M8
			70	67.1836.0.008	Clamp Bracket

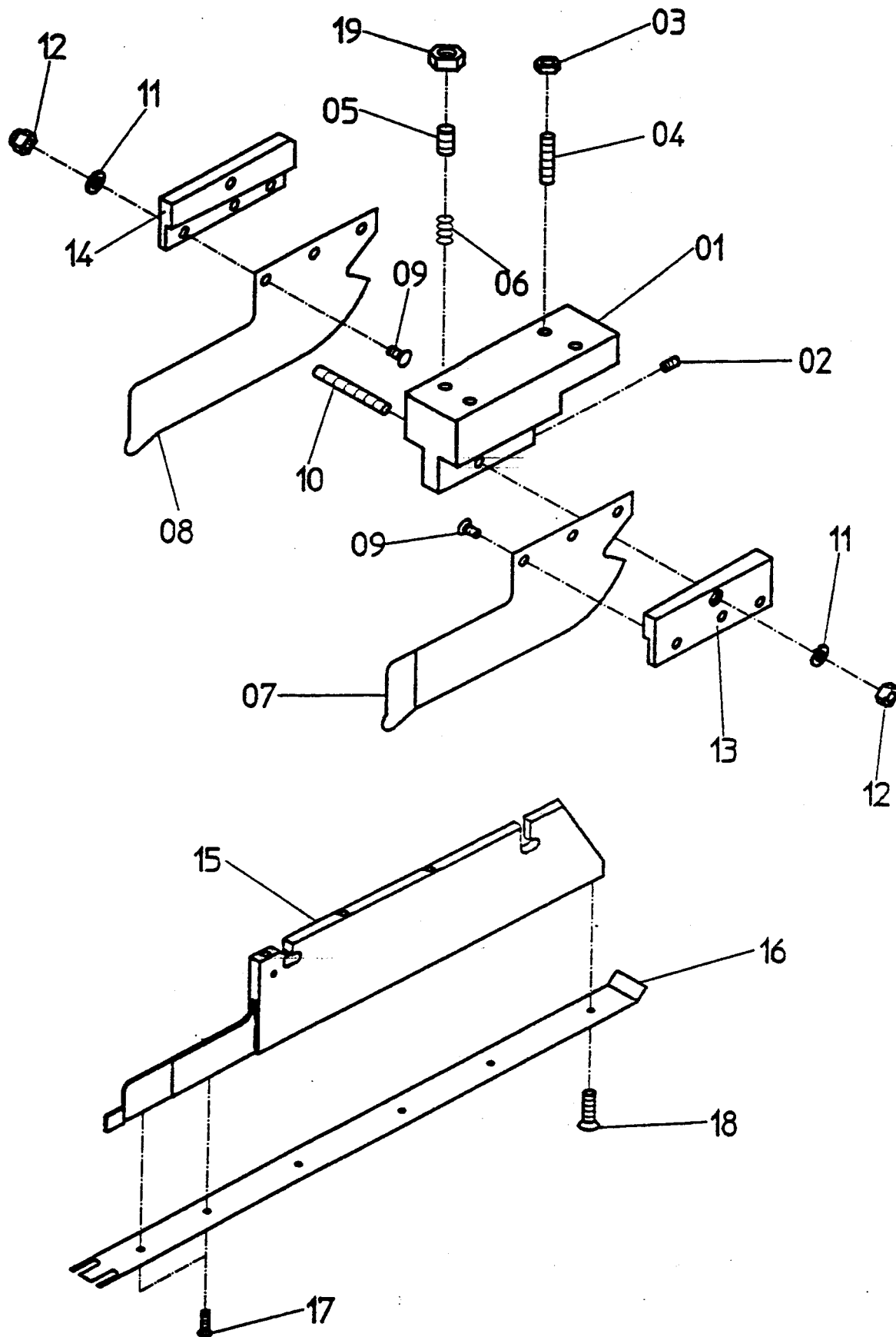
DART STRETCHER



DART STRETCHER

DET	PART NUMBER	DESCRIPTION
1	67.1901.0.009	Cylinder Rod End
2	67.0016.0.001	Cylinder 16x80
3	67.0010.0.001	Flow Control 5/4
4	67.1211.0.113	Solenoid switch
5	03.8002.4.010	Screw M4x10
6	67.1902.0.009	Clips
7	67.1903.0.009	Clamp
8	67.1904.0.009	Holder
9	03.8702.4.003	Nut M4

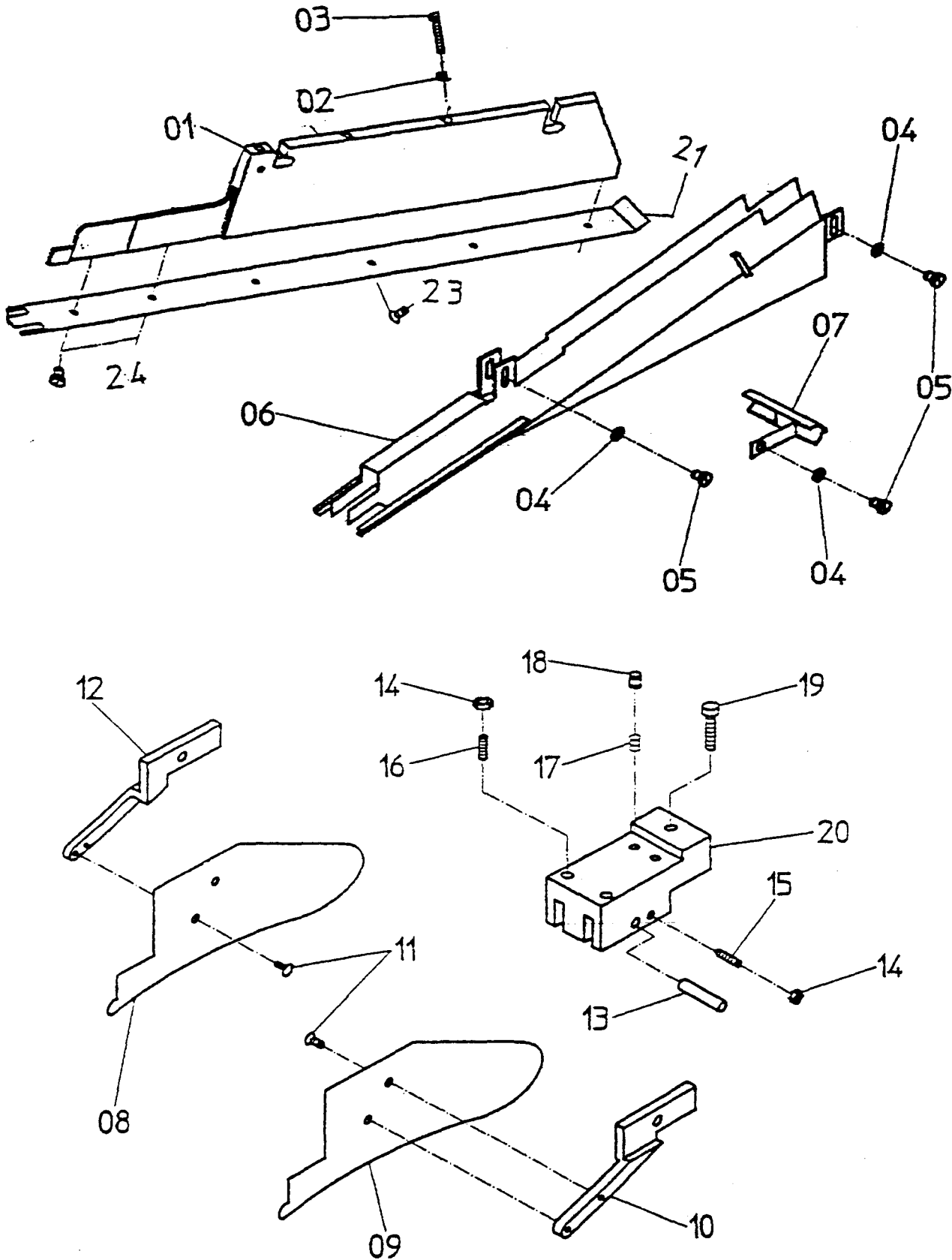
PATCH GUIDE ASSEMBLY



PATCH GUIDE ASSEMBLY

DET	PART NUMBER	DESCRIPTION
1	67.2001.0.010	Holder
2	03.8412.3.004	Screw M3x4
3	03.8702.4.003	Nut M4
4	03.8412.4.020	Screw M4x20
5	03.8412.5.015	Screw M5x15
6	67.2002.0.010	Spring
7	67.2003.0.010	slide plate (left)
8	67.2004.0.010	slide plate (right)
9	03.8112.3.006	Screw M3x6
10	03.8412.4.025	Screw M4x25
11	03.8872.4.002	Washer M4
12	03.8722.4.003	Cup Nut M4
13	67.2005.0.010	Holder 10-12 Left
14	67.2006.0.010	Holder 10-12 Right
15	67.2007.0.010	Patch guide
16	67.2008.0.010	Double welt
	67.2008.0.012	Double welt
	67.2009.0.010	Single welt jacket
	67.2009.0.012	Single welt jacket
	67.2010.0.010	Single welt trouser
	67.2010.0.012	Single welt trouser
17	03.8112.2.004	Screw M2x4
18	03.8112.3.006	Screw M3x6
19	03.8702.5.004	Nut M5

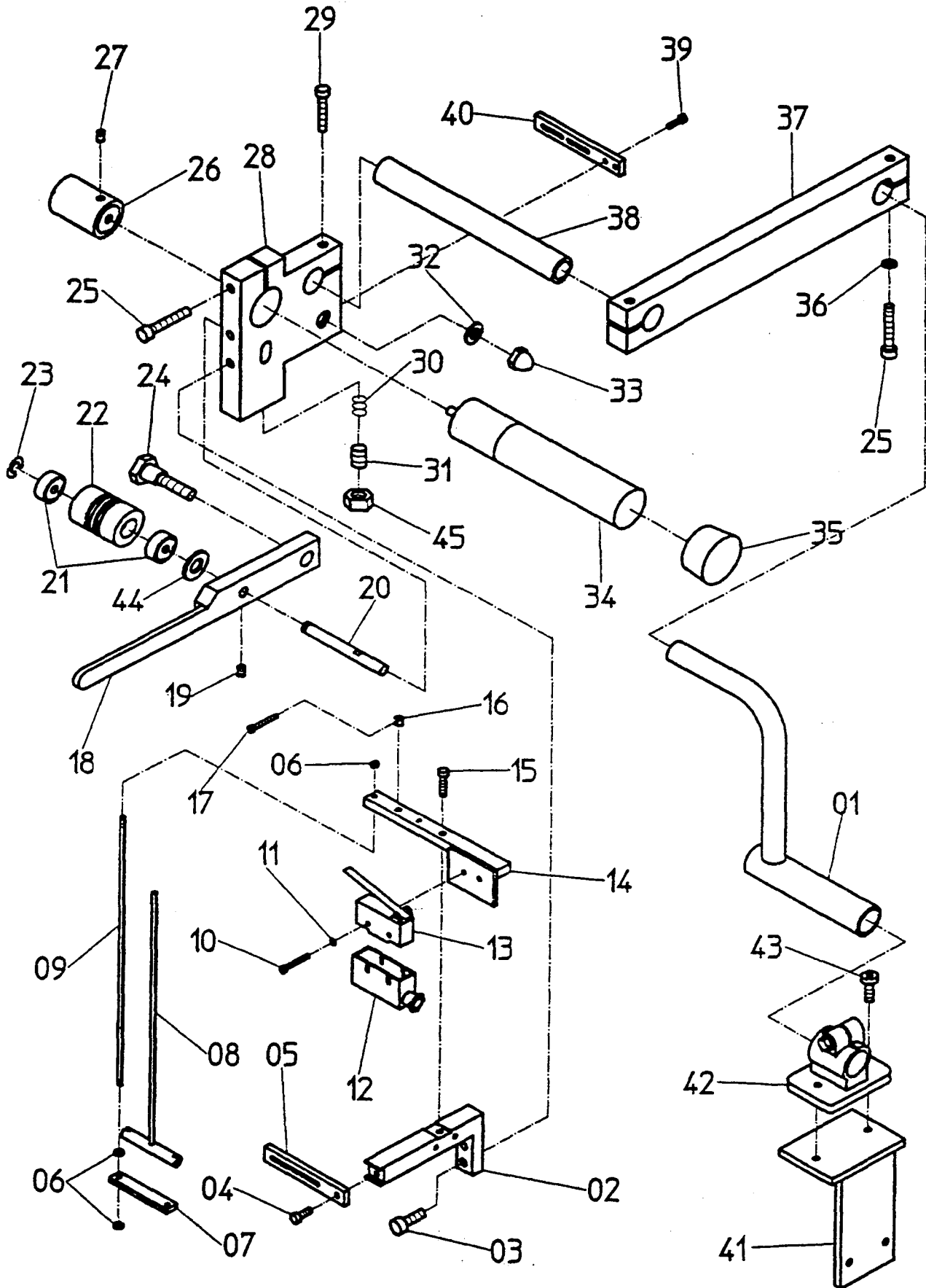
PATCH GUIDE ASSEMBLY FOR ZIPPER SEWING SYSTEM



PATCH GUIDE ASSEMBLY FOR ZIPPER SEWING SYSTEM

DET	PART NUMBER	DESCRIPTION
1	67.2007.0.010	Patch Guide
2	03.8702.4.003	Nut M4
3	03.8002.4.025	Screw M4x25
4	03.8872.4.002	Washer M4
5	03.8872.4.005	Screw M4x5
6	67.2101.0.011	Zipper guide
7	67.2102.0.011	Zipper guide
8	67.2103.0.011	Slide plate (right)
9	67.2104.0.011	Slide plate (left)
10	67.2105.0.011	Holder (left)
11	03.8112.3.006	Screw M3x6
12	67.2106.0.011	Holder (right)
13	67.2107.0.011	Shaft
14	03.8702.5.004	Nut M5
15	03.8412.4.010	Screw M4x10
16	03.8412.5.015	Screw M4x15
17	67.2002.0.010	Spring
18	03.8412.4.015	Screw M4x15
19	03.8002.4.015	Screw M4x15
20	67.2108.0.014	Holder 14 mm
	67.2108.0.016	Holder 16 mm
21	67.2008.0.014	Double welt
23	03.8112.3.006	Screw M3x6
24	03.8112.2.004	Screw M2x4

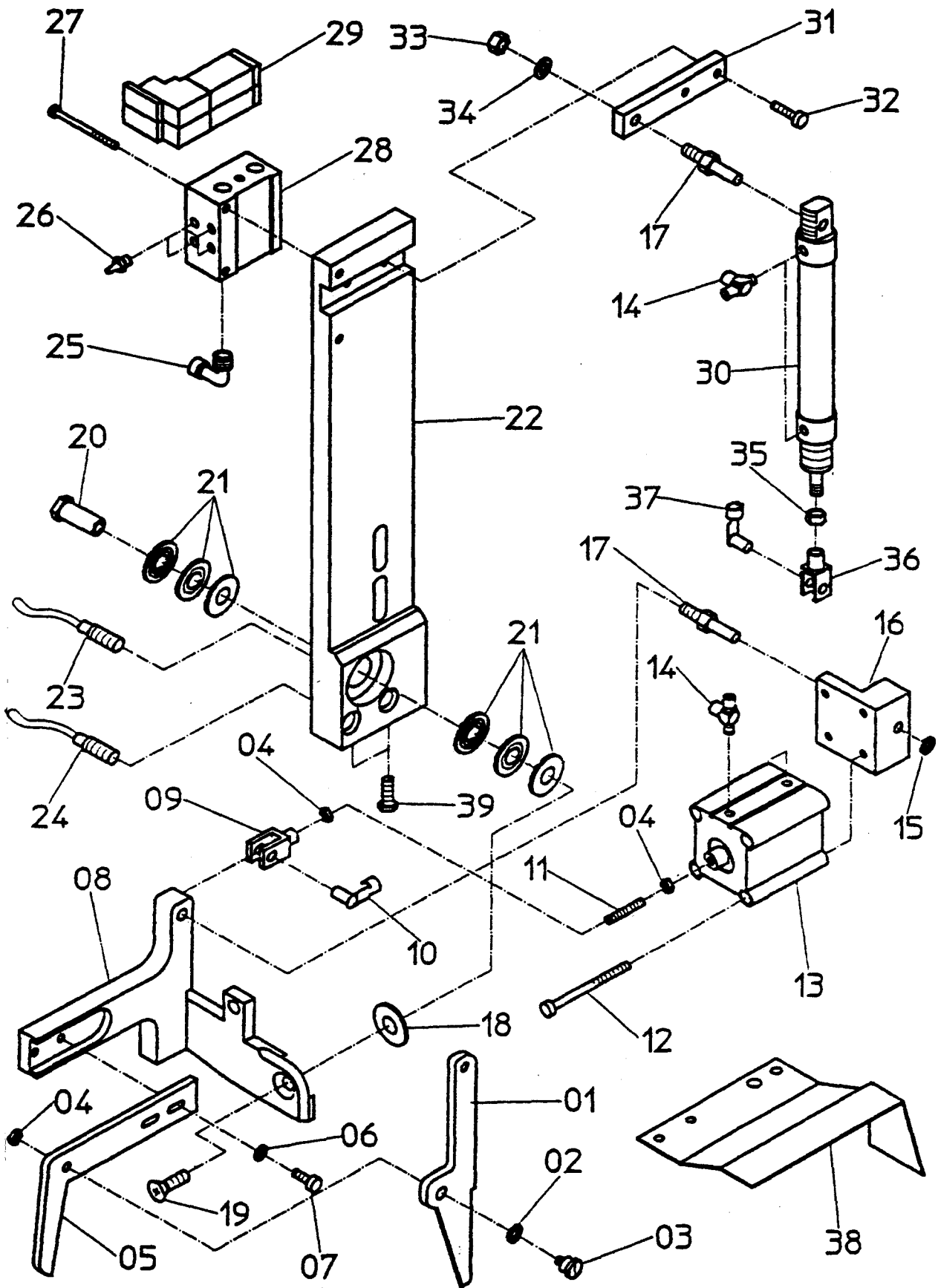
PATCH GUIDE ASSEMBLY FOR ZIPPER SEWING SYSTEM



PATCH GUIDE ASSEMBLY FOR ZIPPER SEWING SYSTEM

DET	PART NUMBER	DESCRIPTION	DET	PART NUMBER	DESCRIPTION
1	67.2200.0.012	Holder	23	67.2214.0.012	*C* Clip
2	67.2201.0.012	Holder	24	03.8002.0.000	Screw
3	03.8002.5.015	Screw M5x15	25	03.8002.5.020	Screw M5x20
4	03.8002.4.010	Screw M4x10	26	67.2215.0.012	Bushig
5	67.2202.0.012	Guide	27	03.8412.4.006	Screw M4x6
6	03.8702.3.002	Nut M3	28	67.2216.0.012	Clamp Plate
7	67.2203.0.012	Guide	29	03.8002.5.025	Screw M5x25
8	67.2204.0.012	Control rod	30	67.2217.0.012	Spring
9	67.2205.0.012	Shaft	31	03.8412.8.015	Screw M8x15
10	03.8002.3.020	Screw M3x20	32	03.8872.8.002	Washer M8
11	03.8872.3.002	Washer M3	33	67.2218.0.012	Cup nut M8
12	67.2206.0.012	Cover	34	67.2219.0.012	Zipper Feed Motor
13	67.2207.0.013	Micro Switch	35	67.2220.0.012	Stop
14	67.2208.0.014	Guide	36	03.8872.5.002	Washer M5
15	03.8002.4.015	Screw M4x15	37	67.2221.0.012	Cover Plate
16	67.2209.0.012	Set Collar M3	38	67.2222.0.012	Pipe
17	03.8002.3.035	Screw M3x35	40	67.2223.0.012	Cover Plate
18	67.2210.0.012	Lever	41	67.2224.0.012	Bracket
19	03.8412.5.006	Screw M5x6	42	67.2225.0.012	Clamp
20	67.2211.0.012	Shaft	43	03.8002.6.020	Screw M6x20
21	67.2212.0.012	Ball bearing	44	03.8872.8.002	Washer M8
22	67.2213.0.012	Roller	45	03.8702.8.007	Nut M8

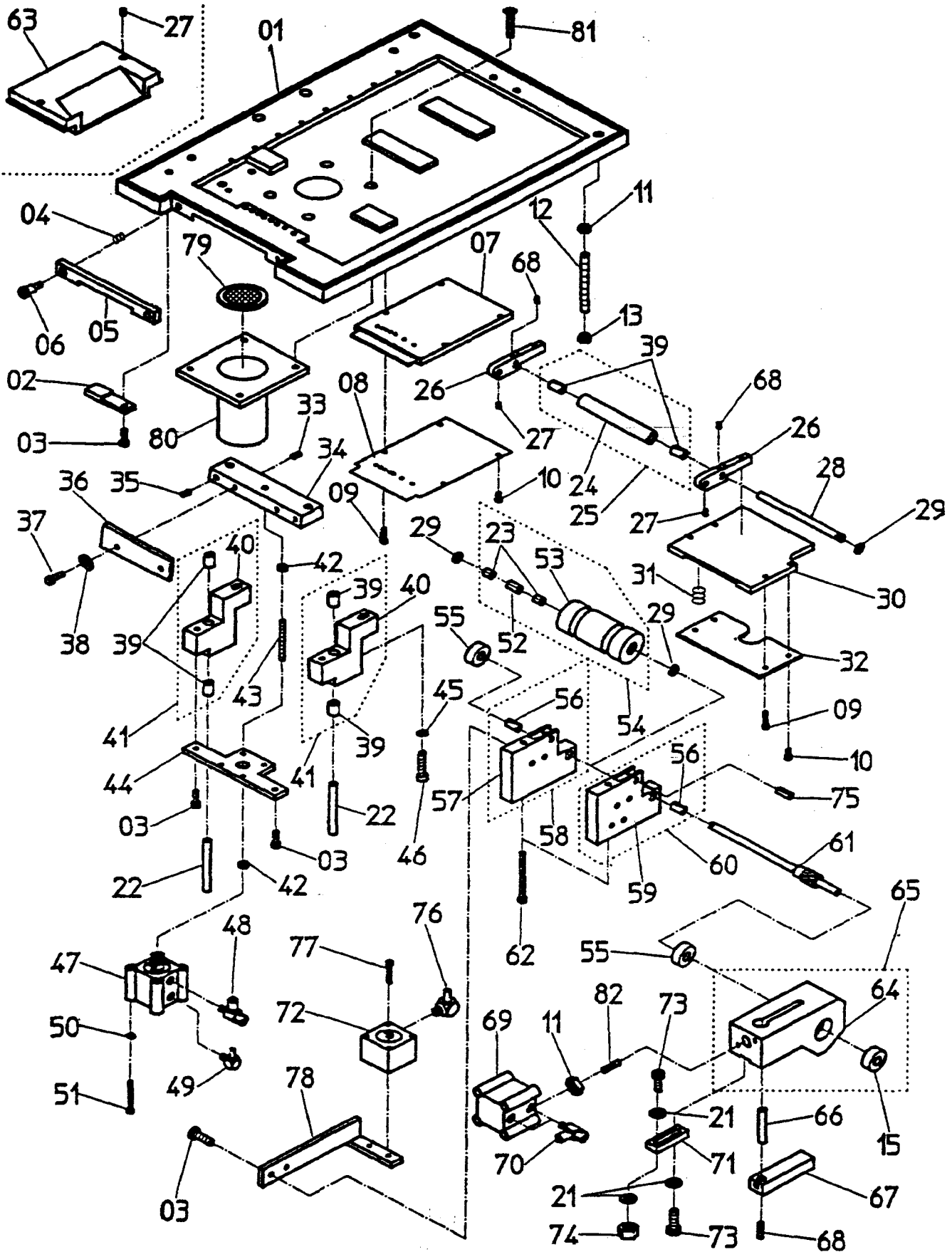
ZIPPER CUTTING ASSEMBLY



ZIPPER CUTTING ASSEMBLY

DET	PART NUMBER	DESCRIPTION	DET	PART NUMBER	DESCRIPTION
1	67.2300.0.013	Knife	20	67.2310.0.013	Screw
2	67.2301.0.013	Lockwasher	21	67.2311.0.013	Ball Bearing
3	67.2302.0.013	Screw	22	67.2312.0.013	Cover Plate
4	03.8702.6.005	Nut M6	23	67.1222.0.112	Switch
5	67.2303.0.013	Knife	24	67.1211.0.111	Switch
6	03.8872.5.002	Washer M5	25	67.0007.0.001	Fitting 1/8-6
7	03.8002.5.015	Screw M5x15	26	67.0004.0.001	Fitting 5/4
8	67.2305.0.013	Holder	27	03.8002.4.025	Screw M4x25
9	67.0017.0.002	Fork crown 6mm	28	67.1122.0.520	Base Plate 5/2
10	67.2306.0.013	Bolt	29	67.1120.0.520	Solenoid Valve 5/2
11	03.8412.6.025	Screw M6x25	30	67.0017.0.001	Cylinder 16x50
12	03.8002.4.040	Screw M4x40	31	67.2313.0.013	Cover Plate
13	67.0037.0.001	Cylinder 20x25	34	03.8872.6.002	Washer M6
14	67.0010.0.001	Flow Control 5/4	35	03.8702.6.005	Nut M6
15	67.2307.0.013	*C* Clip	36	67.0018.0.002	Clevis
16	67.2308.0.013	Holder	37	67.2314.0.013	Bolt
17	67.2309.0.013	Bolt	38	67.2315.0.013	Guard
18	67.2316.5.013	Washer M5	39	03.8302.8.030	Screw M8x30
19	03.8102.5.020	Screw M5x20			

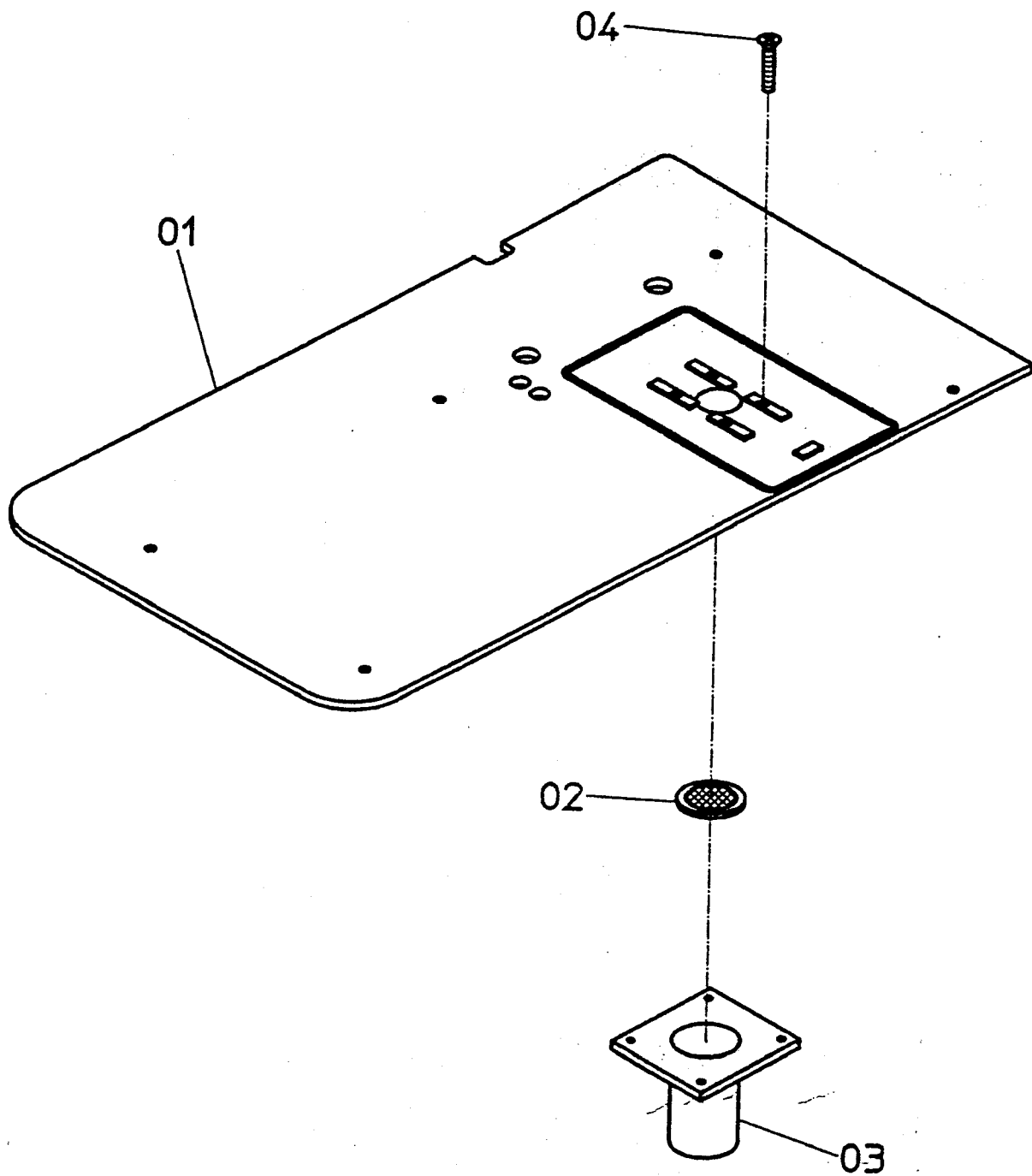
VACUUM SYSTEM WITH PELON FEED



VACUUM SYSTEM WITH PELON FEED

DET	PART NUMBER	DESCRIPTION	DET	PART NUMBER	DESCRIPTION
1	67.2400.0.014	Plate	47	67.0027.0.001	Cylinder 16x10
2	67.2401.0.014	Cover Plate	48	67.0010.0.001	Flow Control 5/4
4	67.2402.0.014	Spring	49	67.0004.0.002	Fitting 5/4
5	67.2047.2.002	Knife	50	67.2420.0.014	Spring Washer M3
6	67.2403.0.014	Fitting Bolt	51	03.8002.3.030	Screw M3x30
7	67.2404.0.014	Guide	52	67.2421.0.014	Bushing
8	67.2405.0.014	Cover Plate	53	67.2422.0.014	Drive Shaft
9	03.8002.3.015	Screw M3x15	54	67.2423.0.014	Roller Complete
10	03.8002.3.006	Screw M3x6	55	67.2424.0.014	Set Collar
11	03.8702.6.005	Nut M6	56	67.2425.0.014	Bushing
12	03.8412.6.060	Screw M6x60	57	67.2426.0.014	Bearing Bracket
13	03.8702.6.005	Nut M6	58	67.2427.0.014	Bearing Bracket Complete
22	67.2406.0.014	Shaft	59	67.2428.0.014	Bearing Bracket
23	67.2407.0.014	Bushing	60	67.2429.0.014	Bearing Bracket Complete
24	67.2408.0.014	Shaft	61	67.2430.0.014	Shaft
25	67.2409.0.015	Shaft Complete	62	03.8002.4.040	Screw M4x40
26	67.2410.0.015	Bracket	63	67.2431.0.014	Guide
27	03.8412.4.004	Screw M4x4	64	67.2432.0.014	Housing
28	67.2411.0.015	Shaft	65	67.2433.0.014	Housing Complete
29	03.8872.6.002	Washer M6	66	67.2434.0.014	Bolt
30	67.2412.0.014	Guide	67	67.2435.0.014	Gear Rack
31	67.2413.0.014	Spring	68	03.8412.3.010	Screw M3x10
32	67.2414.0.014	Cover Plate	69	67.0023.0.001	Cylinder 12x25
33	03.8412.4.006	Screw M4x6	70	67.0010.0.001	Flow Control 5/4
34	67.2415.0.014	Knife holder	71	67.2436.0.014	Cover Plate
35	03.8412.4.010	Screw M4x10	72	67.2441.0.014	Cylinder 12x6
36	67.2047.2.001	Knife	73	03.8002.4.010	Screw M4x10
37	03.8002.4.012	Screw M4x12	74	03.8702.4.003	Nut M4
38	03.8872.4.002	Spring Washer M4	75	67.2437.0.014	Shaft
39	67.2416.0.014	Bushing	76	67.0004.0.002	Fitting 5/4
40	67.2417.0.014	Bearing Bracket	77	03.8002.4.030	Screw M4x30
41	67.2418.0.014	BearingBracketcomp	78	67.2438.0.014	Holder
42	03.8702.4.003	Nut M4	79	67.2439.0.014	Screen
43	03.8412.4.025	Screw M4x25	80	67.2440.0.014	Support
44	67.2419.0.014	Cylinder Carrier	81	03.8102.4.015	Screw M4x15
45	03.8872.4.002	Washer M4	82	03.8412.4.020	Screw M4x20
46	03.8002.4.015	Screw M4x15			

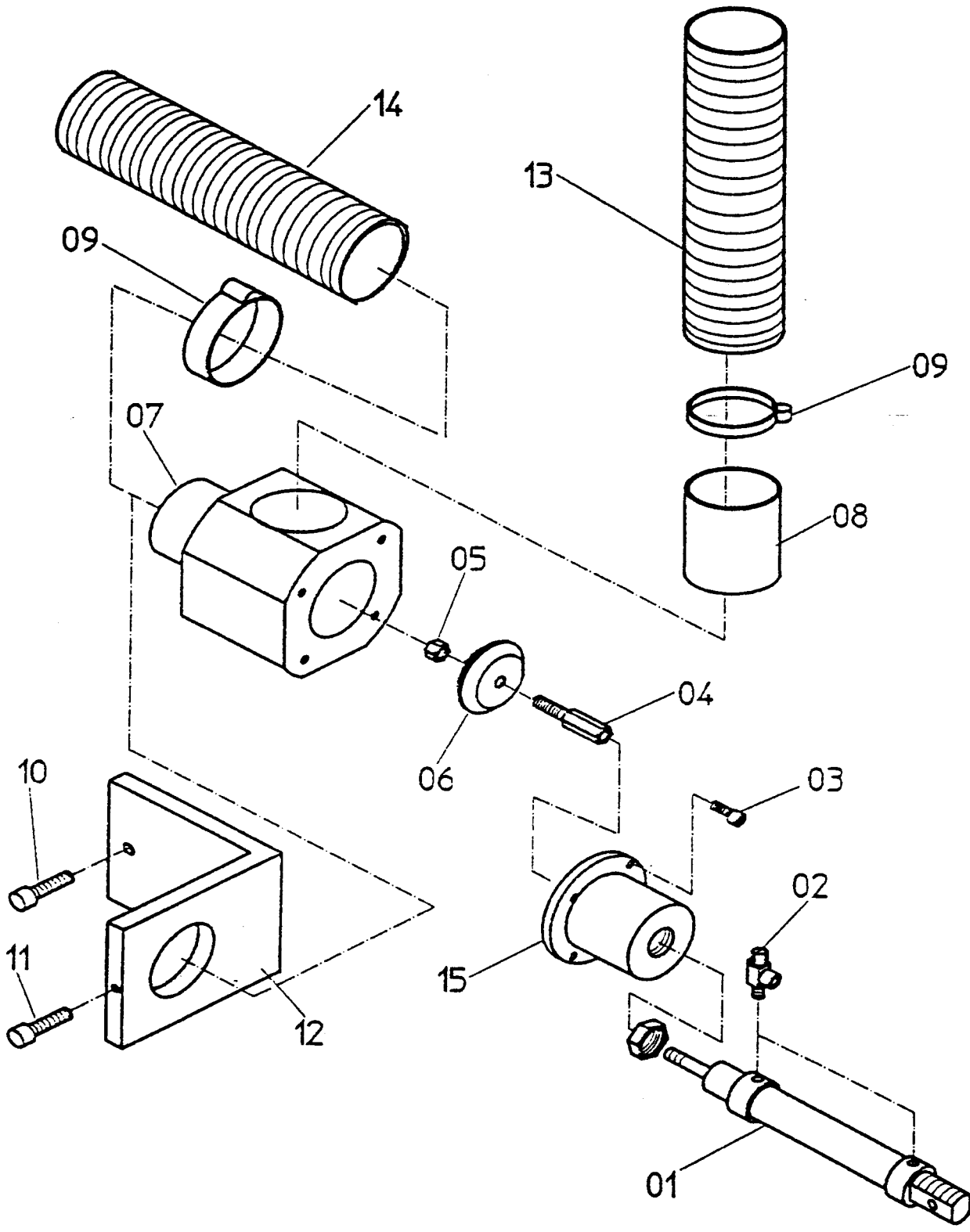
VACUUM OR PELON PLATE



VACUUM OR PELON PLATE

DET	PART NUMBER	DESCRIPTION
1	67.2500.0.015	Table Plate
2	67.2439.0.014	Screen
3	67.2440.0.014	Support
4	03.8112.4.015	Screw M4x15

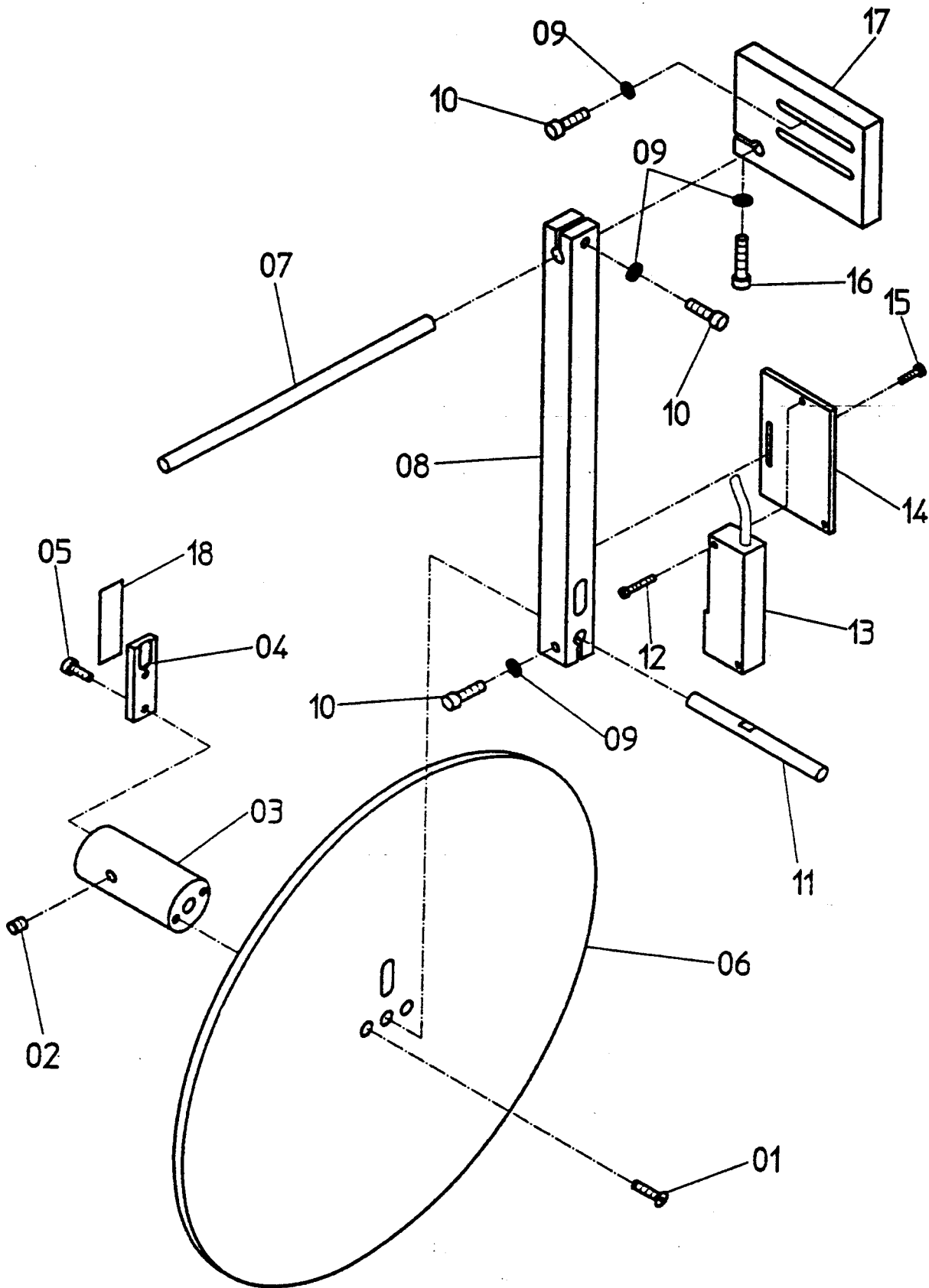
VACUUM SYSTEM



VACUUM SYSTEM

DET	PART NUMBER	DESCRIPTION
1	67.0017.0.001	Cylinder 16x50
2	67.0010.0.001	Flow Control 5/4
3	03.8002.4.015	Screw M4x15
4	67.2600.0.016	Spacer Screw
5	03.8702.6.005	Nut M6
6	67.2601.0.016	Disc
7	67.2602.0.016	Casing
8	67.2603.0.016	Connector
9	67.2604.0.016	Tupe Clamp
10	03.8002.5.020	Screw M5x20
11	03.8002.4.010	Screw M4x10
12	67.2605.0.016	Bracket
13	67.2606.0.016	520 mm Tubig
14	67.2607.0.016	820 mm Tubig
15	67.2608.0.016	Holder

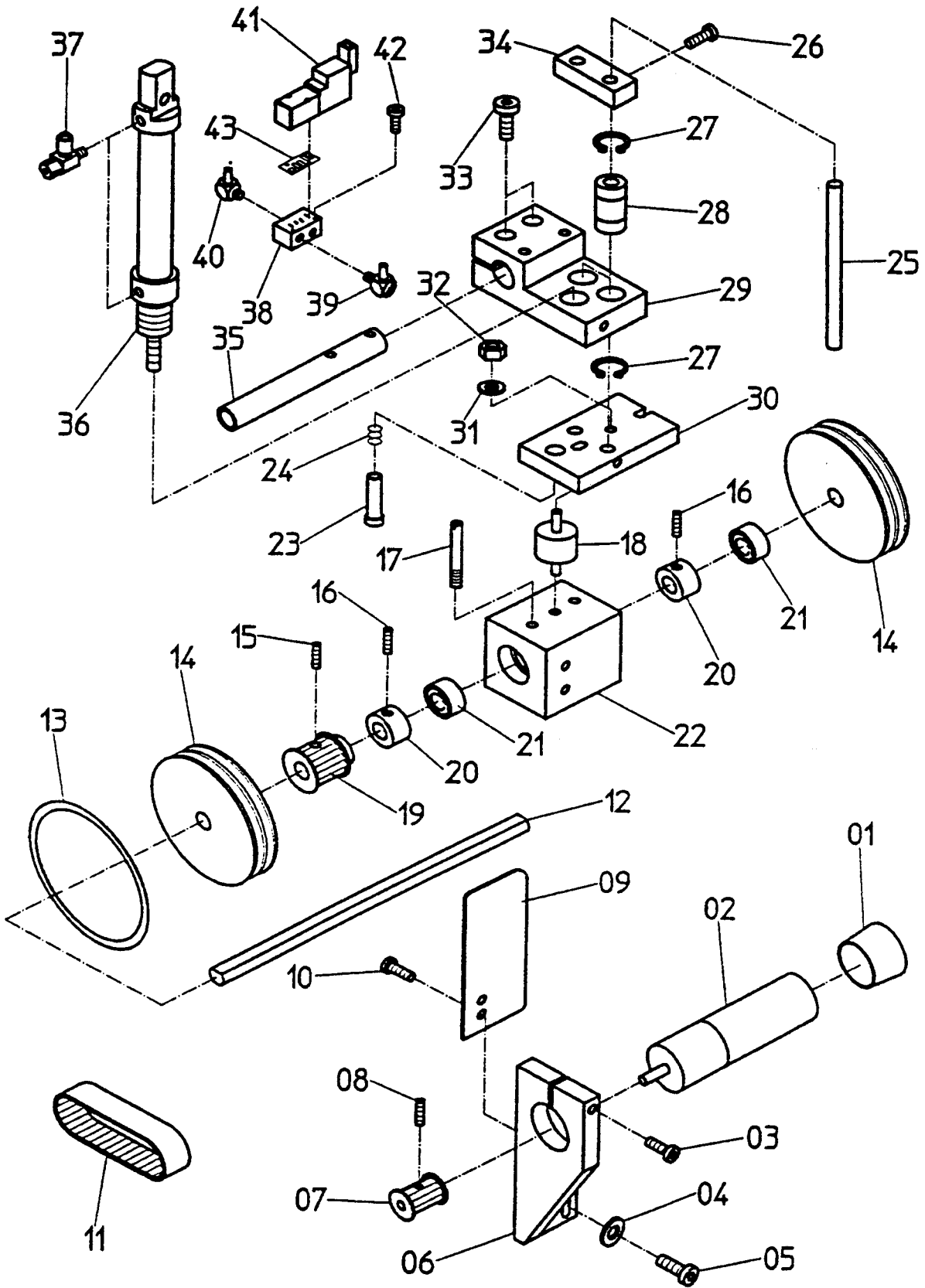
PELON CAR - RGSYSTEM



PELON CAR - RGSYSTEM

DET	PART NUMBER	DESCRIPTION
1	03.8102.4.015	Screw M4x15
2	03.8412.4.005	Screw M4x5
3	67.2700.0.017	Core
4	67.2701.0.017	Reflector
5	03.8412.4.015	Screw M4x15
6	67.2702.0.017	Disc
7	67.2703.0.017	Shaft
8	67.2704.0.017	Mounting Bracket
9	03.8872.5.002	Washer M5
10	03.8002.5.020	Screw M5x20
11	67.2705.0.017	Shaft
12	03.8002.4.015	Screw M4x15
13	67.2706.0.017	Photocell
14	67.2707.0.018	Holder
15	03.8002.4.010	Screw M4x10
16	03.8002.6.020	Screw M6x20
17	67.2708.0.017	Clamp
18	67.0709.0.017	Reflective Tape

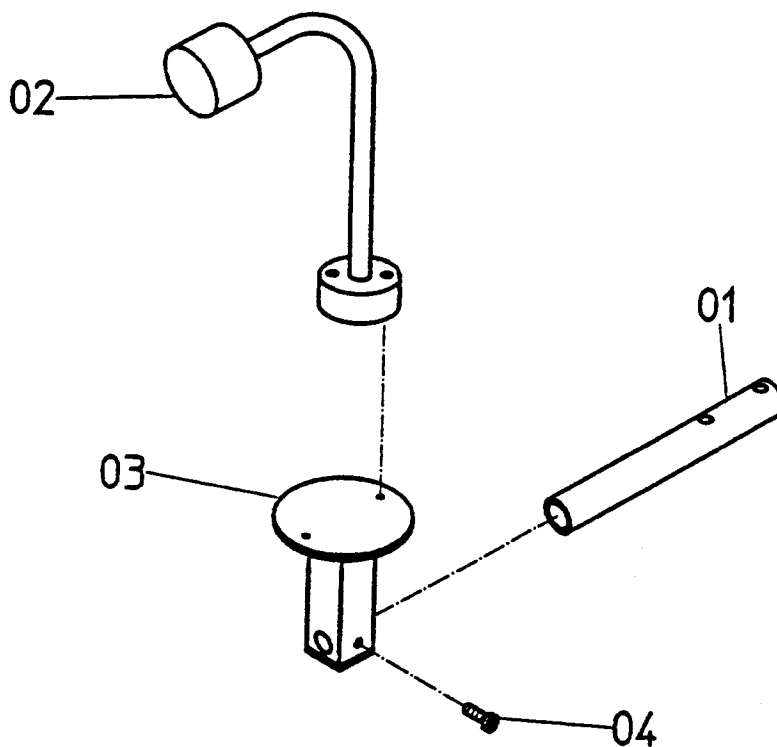
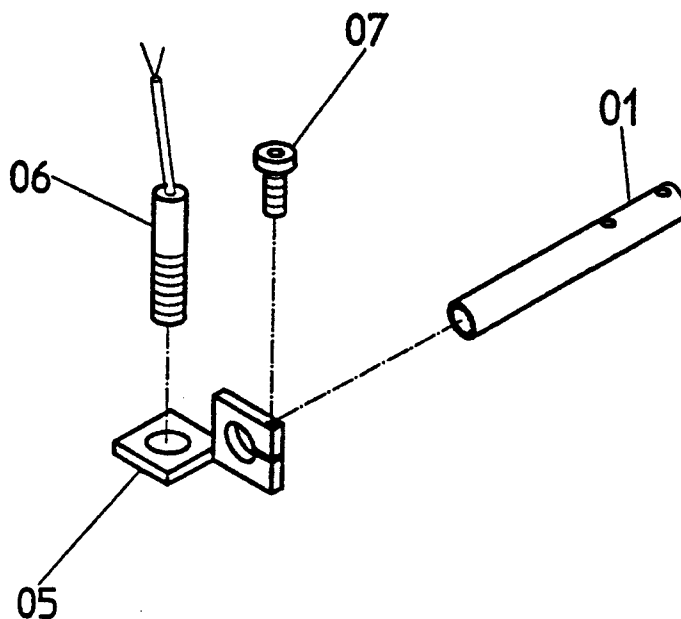
GARMENT REMOVER ASSEMBLY



GARMENT REMOVER ASSEMBLY

DET	PART NUMBER	DESCRIPTION	DET	PART NUMBER	DESCRIPTION
1	67.2800.0.018	Stop	23	67.2815.0.018	Pressure Ball Ring
2	67.2801.0.018	Motor	24	67.2816.0.018	Compression Spring
3	03.8002.5.025	Screw M5x25	25	67.2817.0.018	Shaft
4	03.8872.6.002	Washer M6	26	03.8302.4.015	Screw M4x15
5	03.8002.6.015	Screw M6x15	27	67.2818.0.018	*C*Clip
6	67.2802.0.018	Motor Bracket	28	67.2819.0.018	Bushing
7	67.2803.0.018	Timing Pulley	29	67.2820.0.018	Clamp
8	03.8412.4.005	Screw M4x5	30	67.2821.0.018	Plate
9	67.2804.0.018	Guide	31	03.8872.5.002	Washer M5
10	03.8002.5.015	Screw M5x15	32	03.8702.6.005	Nut M6
11	67.2805.0.018	Timing Belt	33	03.8002.6.020	Screw M6x20
12	67.2806.0.018	Shaft	34	67.2823.0.018	Bracket
13	67.2807.0.018	O-Ring	35	67.2824.0.018	Tube
14	67.2808.0.018	Roller	36	67.0016.0.001	Cylinder 16x80
15	03.8412.4.005	Screw M4x5	37	67.0010.0.001	Flow Control 5/4
16	03.8412.4.010	Screw M4x10	38	67.1121.0.520	Base Plate 5/1
17	67.2809.0.018	Screw	39	67.0004.0.002	Fitting 5/4
18	67.2810.0.018	Rubber Cushion	40	67.0006.0.002	Fitting 5/6
19	67.2811.0.018	Gear Wheel	41	67.1120.0.520	Selenoit Valve 5/2
20	67.2812.0.018	Set Collar	42	03.8002.4.025	Screw M4x25
21	67.2813.0.018	Ball Bearing	43	67.1219.0.320	Gasket 3/2
22	67.2814.0.018	Bearing			

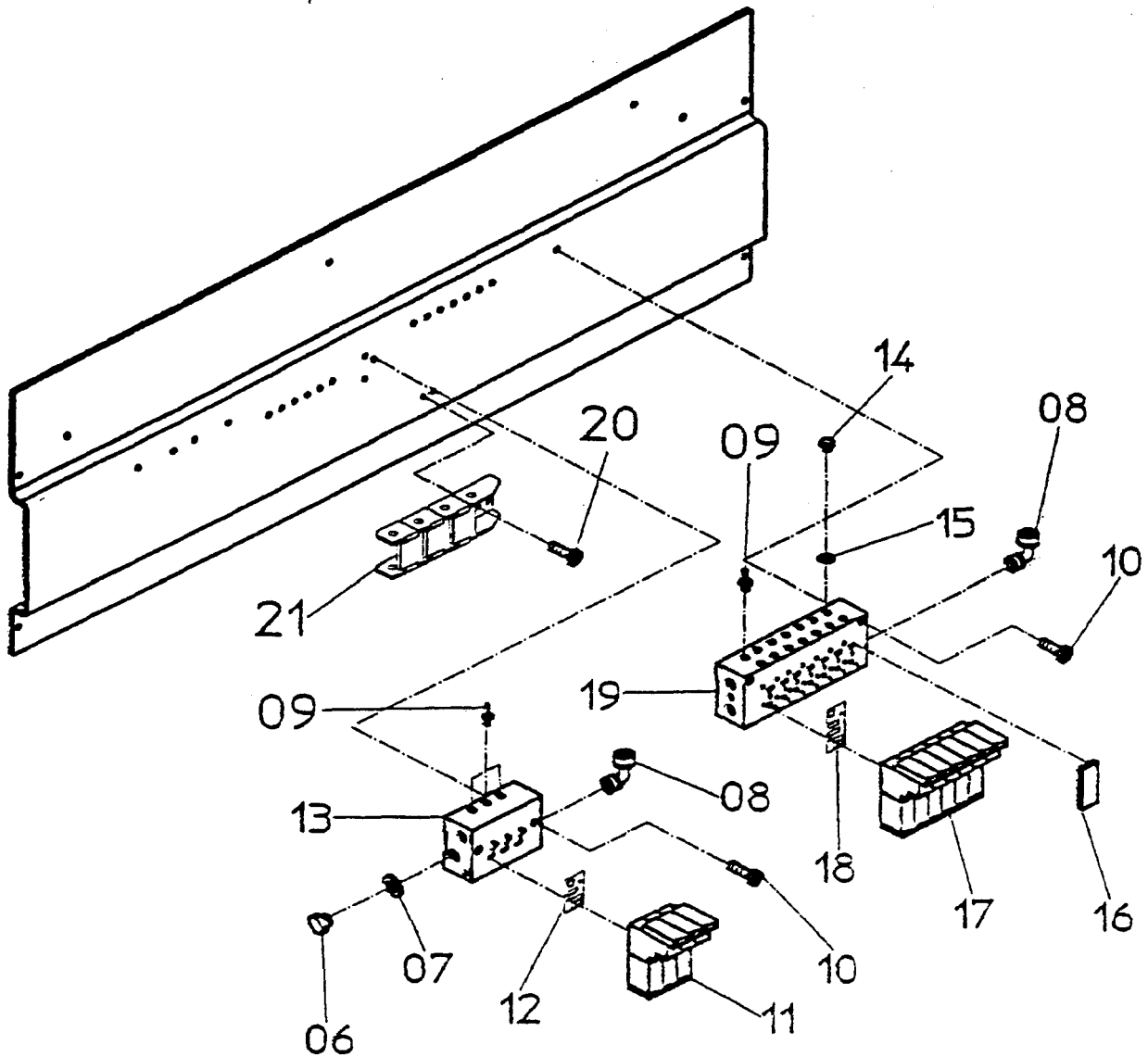
SENSOR ASSEMBLY FOR GARMENT REMOVER



SENSOR ASSEMBLY FOR GARMENT REMOVER

DET	PART NUMBER	DESCRIPTION
1	67.2900.0.019	Tube
2	67.2901.0.019	Lamb
3	67.2902.0.020	Holder
4	03.8002.6.025	Screw M6x25
5	67.2903.0.019	Holder
6	67.1211.0.114	Photocell
7	03.8002.3.030	Screw M3x30

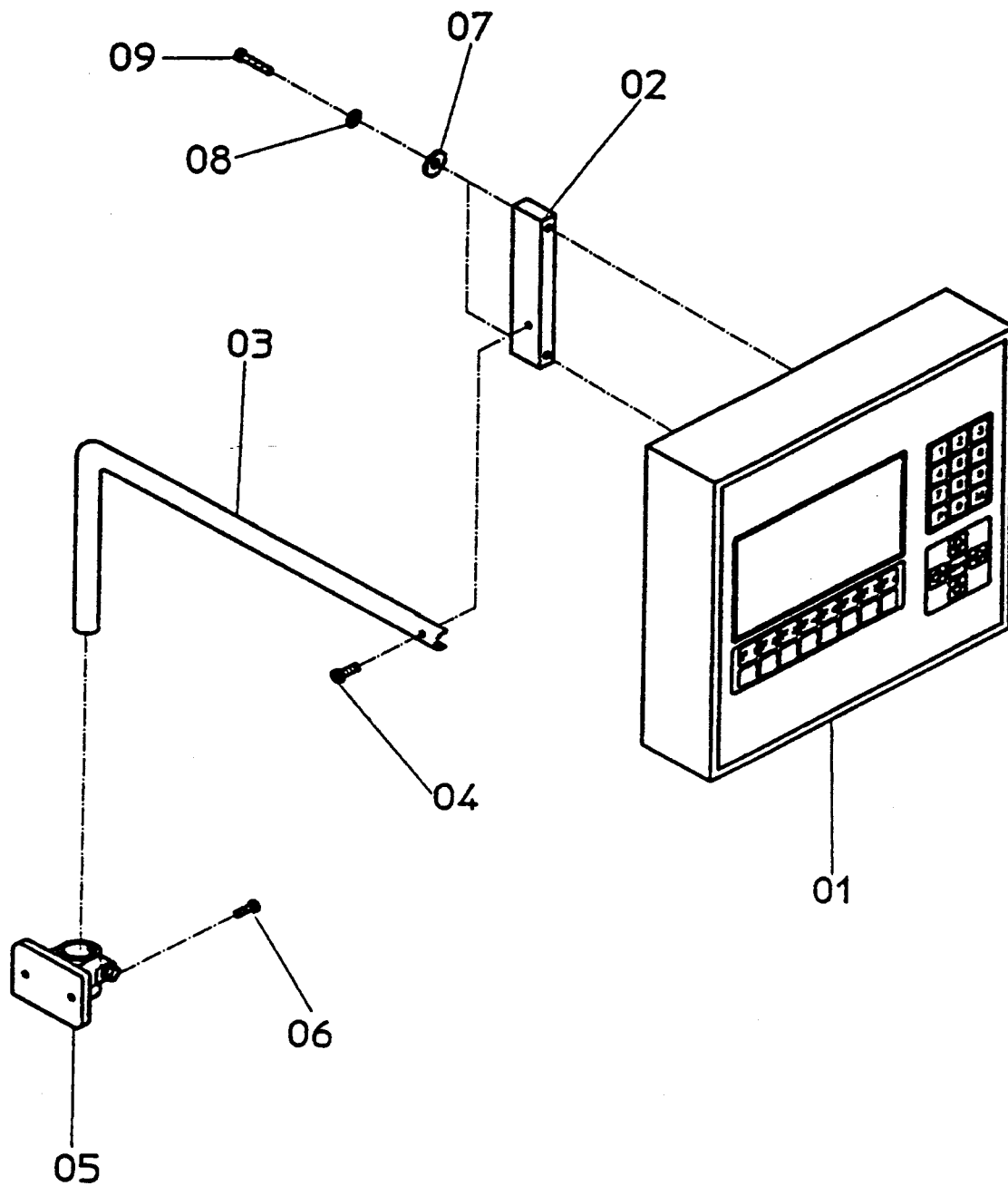
VALVES



VALVES

DET	PART NUMBER	DESCRIPTION	DET	PART NUMBER	DESCRIPTION
6	67.0009.0.002	Fitting 1/8	16	67.1120.0.521	Cover plate 5/2
7	67.0009.0.003	*0" Ring	17	67.1120.0.520	Selenoit Valve 5/2
8	67.0007.0.001	Fitting 1/8-6	18	67.1119.0.520	Gasket 5/2
9	67.0004.0.001	Fitting 5/4	19	67.1121.0.520	Base plate 5/1
10	03.8002.4.025	Screw M4x25		67.1122.0.520	Base plate 5/2
11	67.1220.0.320	Selenoit Valve 3/2		67.1123.0.520	Base plate 5/3
12	67.1219.0.320	Gasket 3/2		67.1124.0.520	Base plate 5/4
13	67.1221.0.320	Base plate 3/1		67.1125.0.520	Base plate 5/5
	67.1222.0.320	Base plate 3/2		67.1126.0.520	Base plate 5/6
	67.1223.0.320	Base plate 3/3		67.1127.0.520	Base plate 5/7
	67.1224.0.320	Base plate 3/4		67.1128.0.520	Base plate 5/8
	67.1225.0.320	Base plate 3/5		67.1129.0.520	Base plate 5/9
	67.1226.0.320	Base plate 3/6		67.1130.0.520	Base plate 5/10
	67.1227.0.320	Base plate 3/7	20	03.8112.3.005	Screw M3x5
14	67.3000.0.020	Air Fitting	21	67.3002.0.020	Chain
15	67.3001.0.020	*0" Ring			

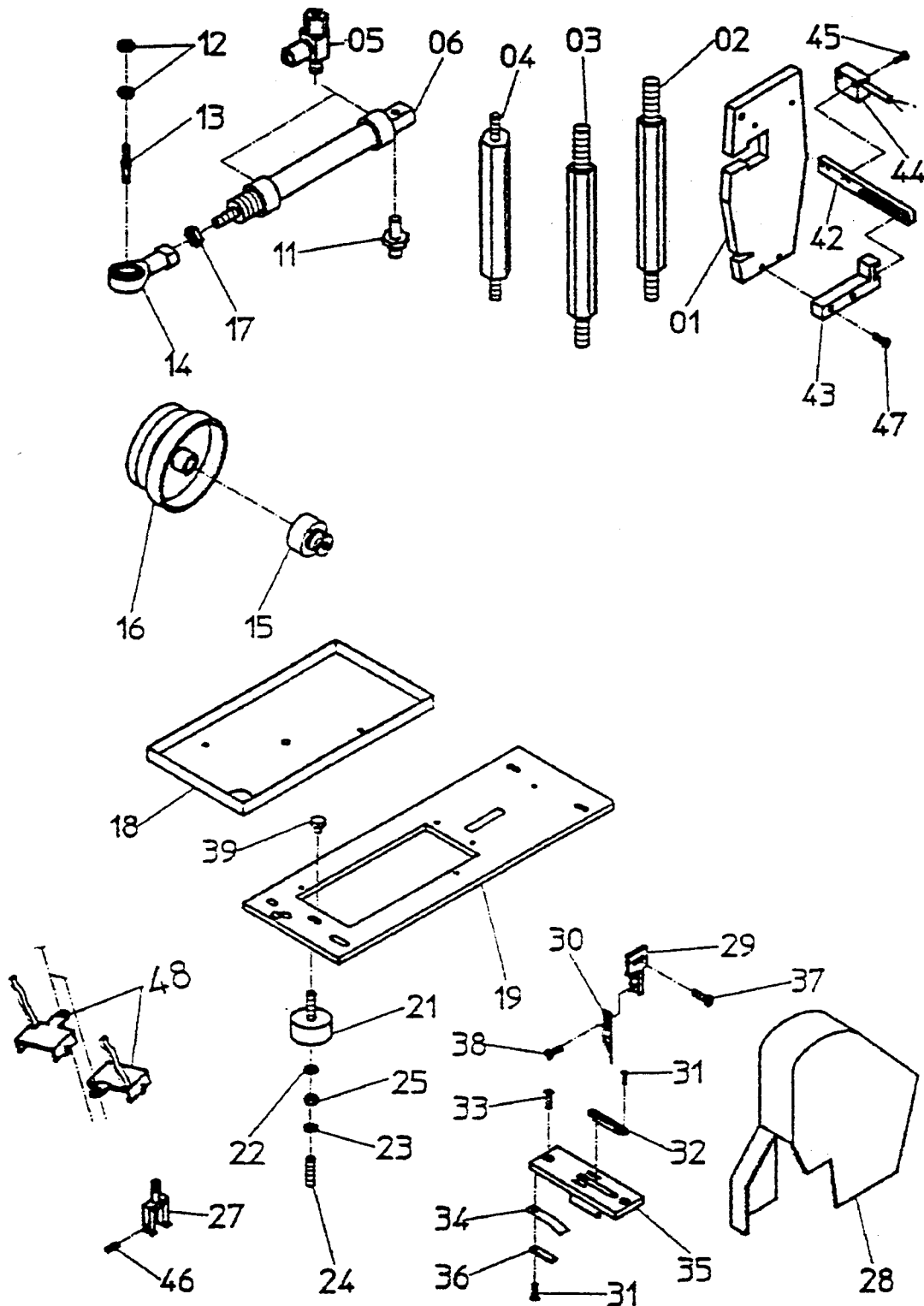
CONTROL PANEL ASSEMBLY



CONTROL PANEL ASSEMBLY

DET	PART NUMBER	DESCRIPTION
1	67.3100.0.021	Control Panel
2	67.3101.0.021	Bracket
3	67.3102.0.021	Holder
4	03.8002.6.020	Screw M6x20
5	67.3103.0.021	Clamp
6	03.8002.6.015	Screw M6x15
7	03.8872.4.002	Washer M4
8	03.8872.4.002	Washer M4
9	03.8002.4.030	Screw M4x30

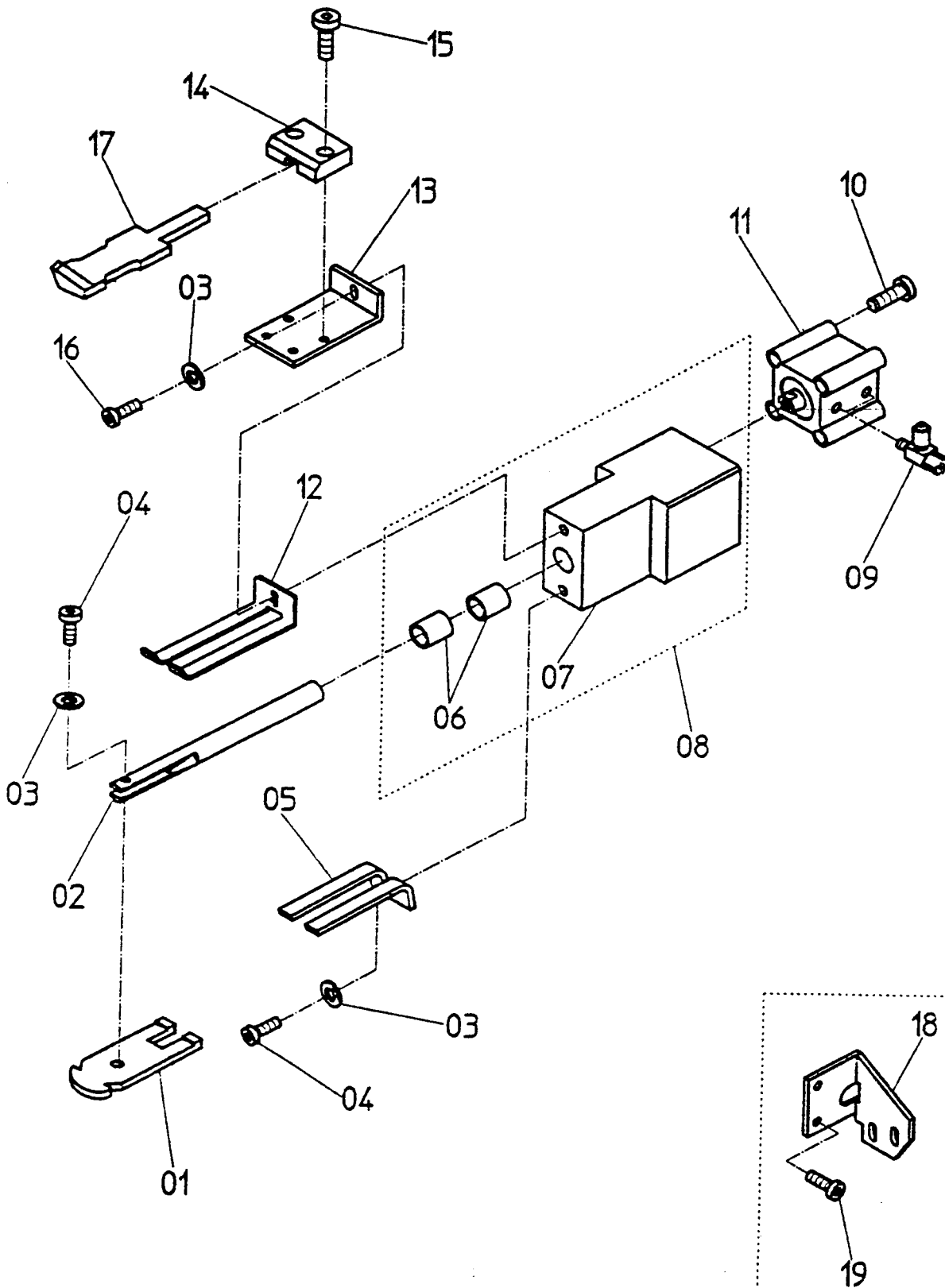
SEWING ASSEMBLY



SEWING ASSEMBLY

DET	PART NUMBER	DESCRIPTION	DET	PART NUMBER	DESCRIPTION
1	67.3200.0.022	Cover	27	67.3208.0.010	Needle holder 10
2	67.3201.0.022	Standoff		67.3208.0.012	Needle holder 12
3	67.3202.0.022	Standoff	28	67.3211.0.022	Guard
4	67.3220.0.022	Standoff	29	67.3220.0.022	Center Knife carrier
5	67.0010.0.001	Fitting 5/4	30	67.2462.0.553	Center Knife
6	67.0018.0.001	Cylinder 16x10	31	03.8022.2.038	Screw M2x38
11	67.3204.0.022	Pivot Screw	32	67.3002.0.021	Center Knife
12	03.8702.5.004	Nut M5	33	03.8142.4.037	Screw M4x37
13	67.3205.0.022	Screw	34	67.3213.0.022	Spring
14	67.0016.0.002	6mm Ball Joint	35	67.3212.0.010	Throat plate 10
15	67.3206.0.022	Connector		67.3212.0.012	Throat plate 12
16	67.3207.0.022	Hand wheel	36	67.3214.0.022	Fixed Knife
17	03.8702.6.005	Nut M6	37	03.8012.5.006	Screw M5x6
18	67.3219.0.022	Drip Pan	38	03.8012.3.010	Screw M3x10
19	67.3209.0.022	Frame	39	03.8702.0.009	Nut M10
21	67.3210.0.022	Rubber cushion	42	67.3216.0.022	Cover plate
22	03.8702.0.009	Nut M10	43	67.3217.0.022	Holder
23	03.8872.0.002	Washer M10	44	67.1211.0.115	Photocell
24	03.8412.0.000	Screw M10	45	03.8002.3.020	Screw M3x20
25	03.8702.0.009	Nut M10	46	03.8412.3.004	Screw M3x4
			47	03.8002.3.015	Screw M3x15
			48	67.3218.0.022.	Photocell

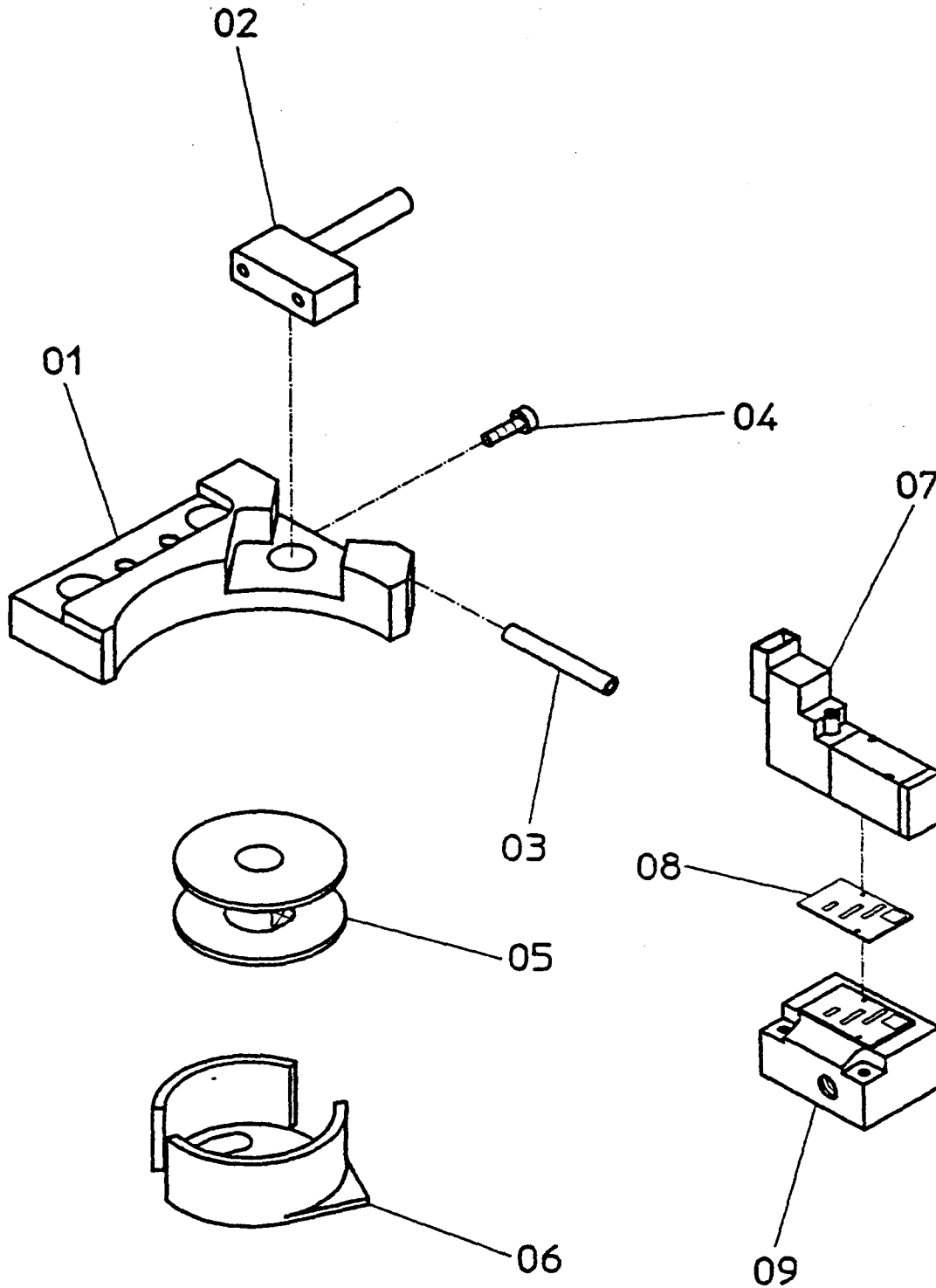
THREAD PICK-UP ASSEMBLY



THREAD PICK-UP ASSEMBLY

DET	PART NUMBER	DESCRIPTION	DET	PART NUMBER	DESCRIPTION
1	67.3300.0.010	ThreadCatcher 10-12	11	67.0026.0.001	Cylinder 16X25
2	67.3301.0.023	Shaft	12	67.3306.0.010	Spring 10-12
3	03.8872.4.002	Washer M4	13	67.3307.0.023	Holder
4	03.8002.4.012	Screw M4x12	14	67.3308.0.023	Guide
5	67.3302.0.010	Knife 10-12	15	03.8002.3.005	Screw M3x5
6	67.3303.0.023	Bushing	16	03.8002.4.010	Screw M4x10
7	67.3304.0.023	Guide	17	67.3309.0.010	Guard10-12
8	67.3305.0.023	Guide Complete	18	67.3310.0.023	Support
9	67.0004.0.002	Fitting 5/4	19	03.8302.5.015	Screw M5x15
10	03.8002.4.050	Screw M4x50			

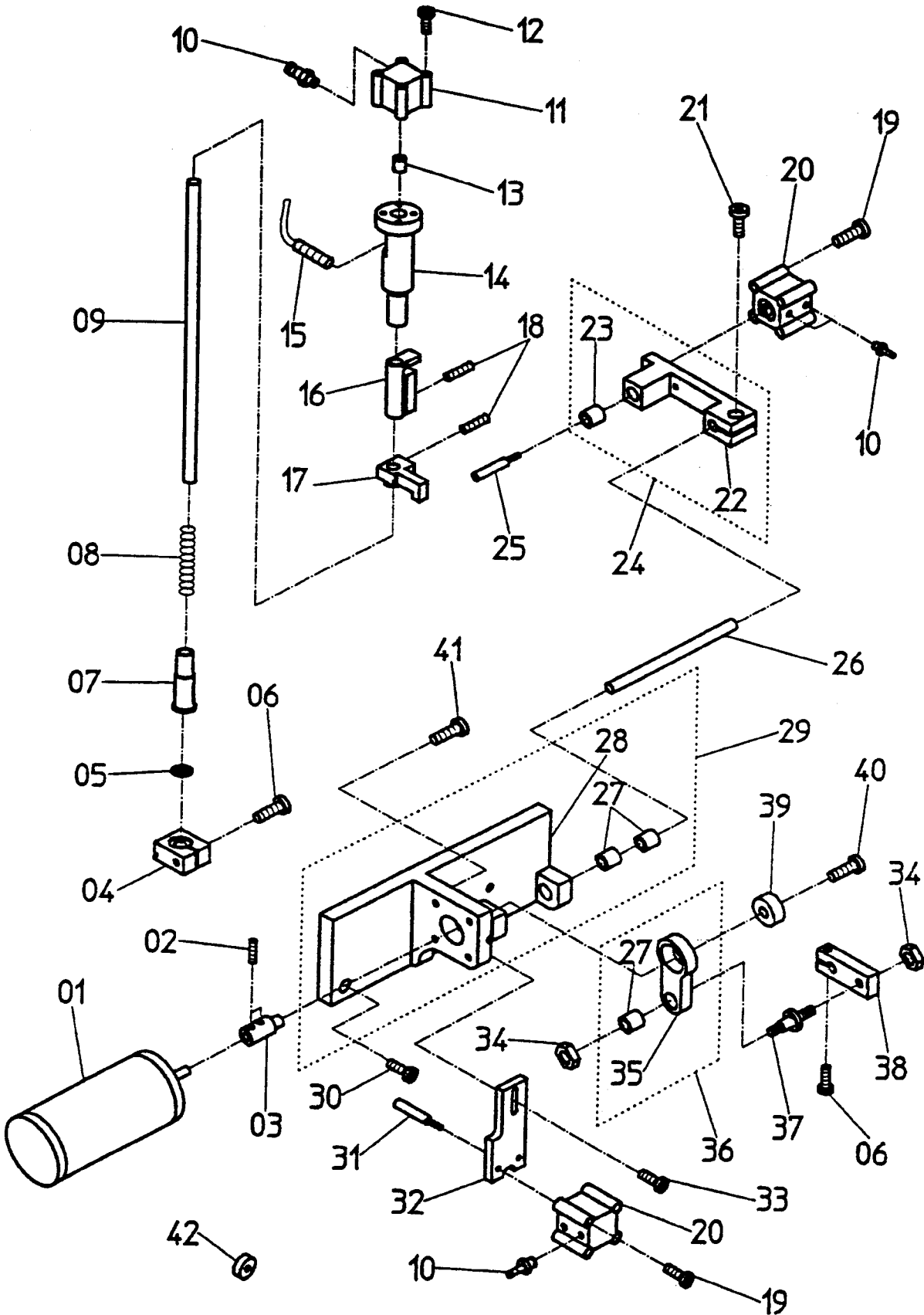
BOBBIN THREAD MONITOR



BOBBIN THREAD MONITOR

DET	PART NUMBER	DESCRIPTION
1	67.3400.0.024	Holder
2	67.1211.0.116	Photocell
3	67.3401.0.024	Tubin
4	03.8012.2.008	Screw M2x8
5	67.3402.0.024	Bobbin
6	67.3403.0.024	Bobbin case
7	67.1219.0.320	Valve 3/2
8	67.1220.0.320	Gasket 3/2
9	67.1221.0.320	Base plate 3/1

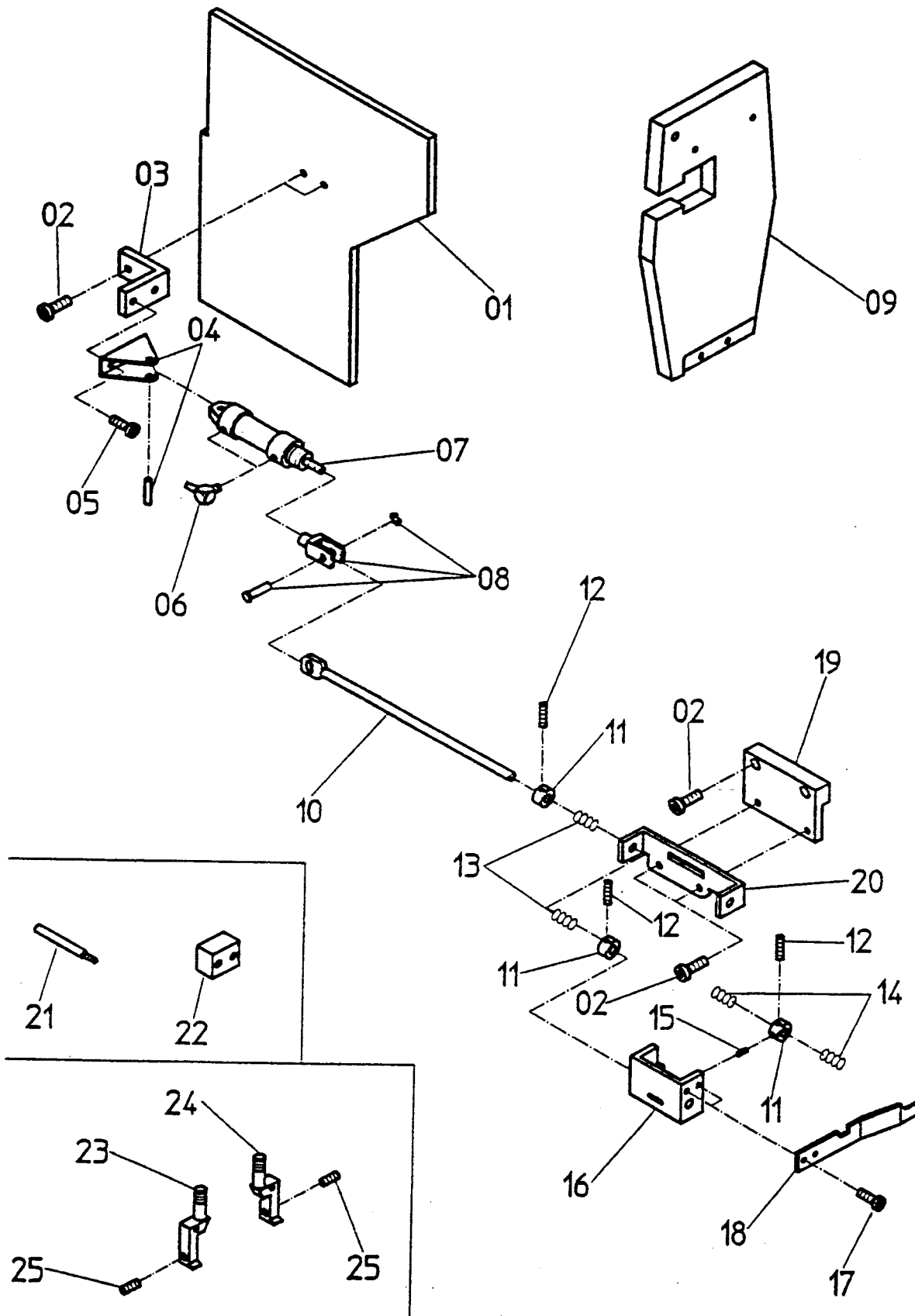
CENTER KNIFE SYSTEM



CENTER KNIFE SYSTEM

DET	PART NUMBER	DESCRIPTION	DET	PART NUMBER	DESCRIPTION
1	67.3500.0.025	Center Knife Motor	22	67.3511.0.025	Actuator
2	03.8412.4.006	Screw M4x6	23	67.3512.0.025	Bushing
3	67.3501.0.025	Eccentric	24	67.3513.0.025	Actuator complete
4	67.3502.0.025	Knife holder	25	67.3514.0.025	Bolt
5	67.3503.0.025	Disk	26	67.3515.0.025	Shaft
6	03.8002.5.015	Screw M5x15	27	67.3516.0.025	Bushing
7	67.3504.0.025	Bushing	28	67.3517.0.025	Plate
8	67.3505.0.025	Spring	29	67.3518.0.025	Plate complete
9	67.3506.0.025	Shaft	30	03.8002.8.030	Screw M8x30
10	67.0004.0.001	Fitting 5/4	31	67.3519.0.025	Bolt
11	67.0025.0.001	Cylinder 16x15	32	67.3520.0.025	Holder
12	03.8002.4.035	Screw M4x35	33	03.8002.4.012	Screw M4x12
13	67.3507.0.025	Bushing	34	03.8702.6.005	Nut M6
14	67.3508.0.025	Bushing	35	67.3521.0.025	Drive Link
15	67.1211.0.111	Switch	36	67.3522.0.025	Drive Link Complete
16	67.3509.0.025	Actuator	37	67.3523.0.025	Screw bolt
17	67.3510.0.025	Guide	38	67.3524.0.025	Lever
18	03.8412.6.006	Screw M6x6	39	67.3525.0.025	Ball bearing
19	03.8002.4.025	Screw M4x25	40	03.8012.3.006	Screw M3x6
20	67.0022.0.001	Cylinder 12x5	41	03.8002.4.025	Screw M4x25
21	03.8002.5.015	Screw M5x15			

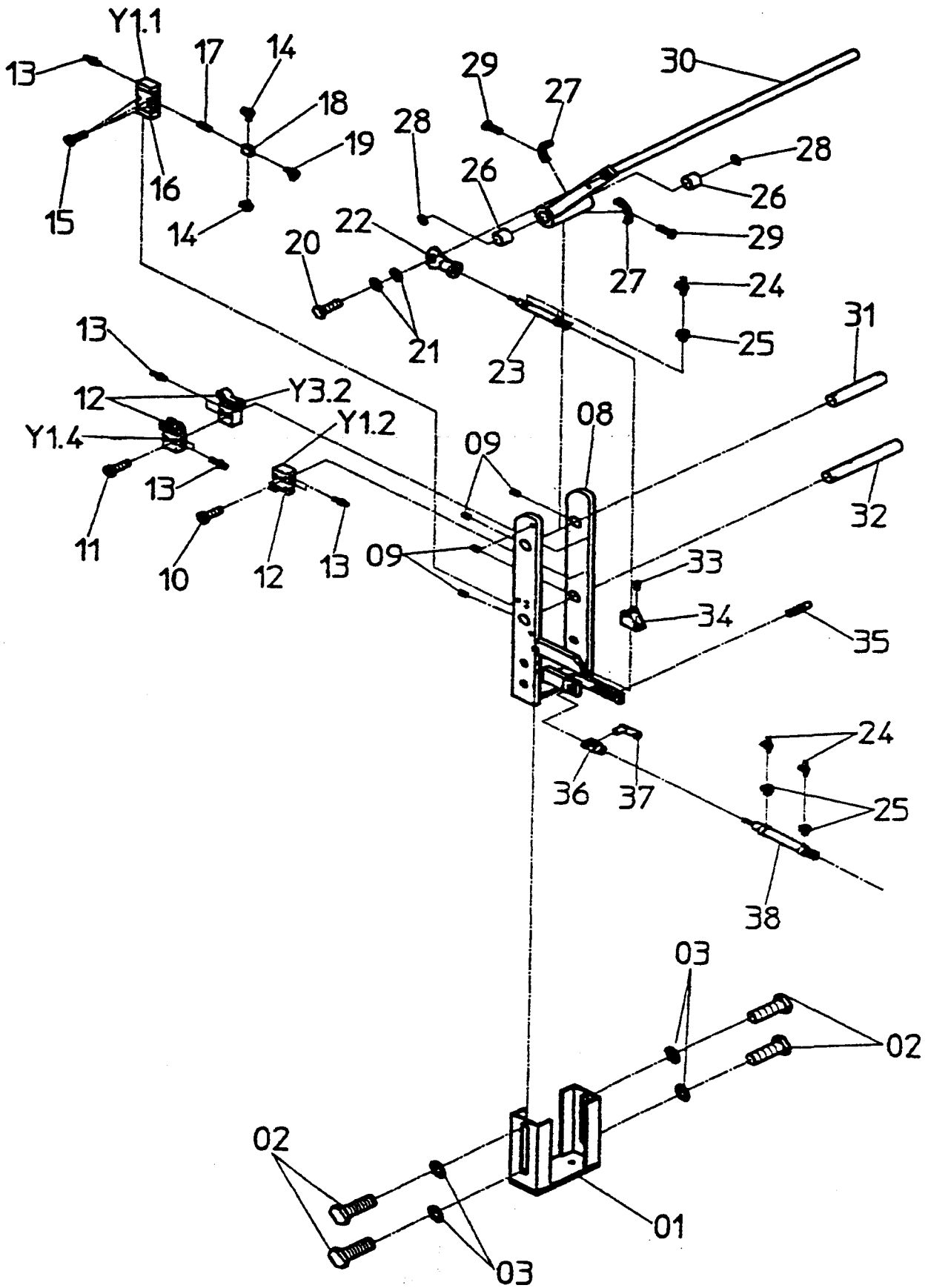
CANCELLING SYST.



CANCELLING SYST.

DET	PART NUMBER	DESCRIPTION	DET	PART NUMBER	DESCRIPTION
1	67.3600.0.026	Cover	16	67.3608.0.026	Holder
2	03.8002.4.010	Screw M4x10	17	03.8002.4.010	Screw M4x10
3	67.3601.0.026	Support	18	67.3609.0.026	Cover plate
4	67.3602.0.026	Bearing	19	67.3610.0.026	Blok
5	03.8002.4.012	Screw M4x12	20	67.3611.0.026	Guide
6	67.0004.0.002	Fitting 5/4	21	67.3612.0.026	Bolt
7	67.0018.0.001	Cylinder 16x10	22	67.3613.0.026	Shim
8	67.0017.0.002	Pin 6mm	23	67.3612.0.010	Needle holder 10 L
9	67.3603.0.026	Cover		67.3612.0.012	Needle holder 12L
10	67.3604.0.026	Shaft	24	67.3615.0.010	Needle holder 10R
11	67.3605.0.026	Set collar		67.3615.0.012	Needle holder 12R
12	03.8412.3.015	Screw M3x15	25	03.8412.3.004	Screw M3x4
13	67.3606.0.026	Spring			
14	67.3607.0.026	Spring			
15	03.8412.3.005	Screw M3x5			

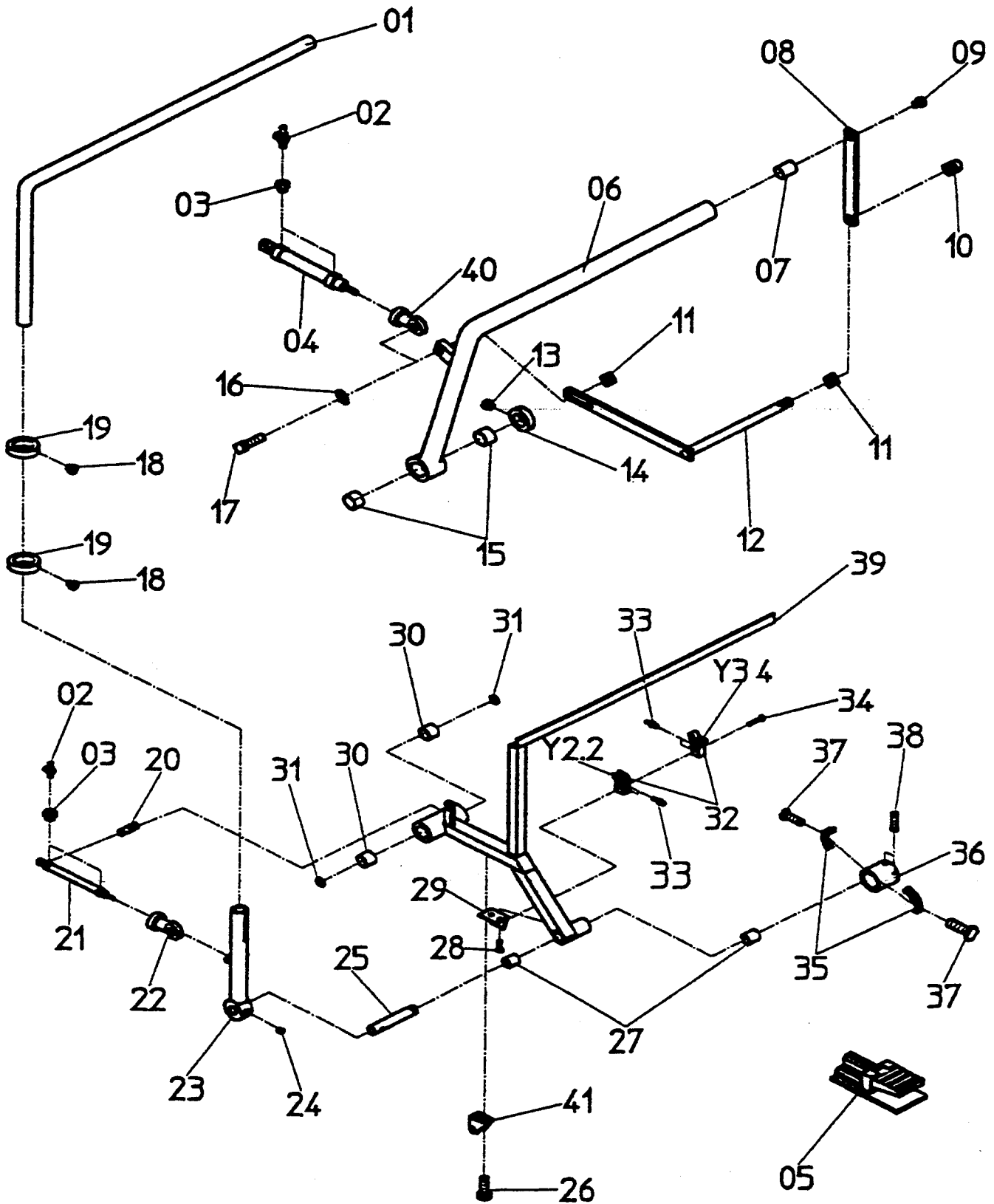
STACKER



STACKER

DET	PART NUMBER	DESCRIPTION	DET	PART NUMBER	DESCRIPTION
1	67.3700.0.027	Base Plate	22	67.0016.0.010	Clevis 10mm
2	03.8302.0.020	Screw M10x20	23	67.0019.0.001	Cylinder 25/50
3	03.8872.0.002	Washer M10	24	67.0011.0.002	Flow Control 1/8-4
8	67.3701.0.027	Frame	25	67.0011.0.003	Joint 1/8
9	03.8002.6.015	Screw M6x15	26	67.3709.0.027	Bushing
10	03.8002.3.015	Screw M3x15	27	67.3710.0.027	Bracket
11	03.8002.3.050	Screw M3x50	28	67.3711.0.027	Washer M6
12	67.3702.0.027	Valve	29	03.8002.4.012	Screw M4x12
13	67.0004.0.001	Fitting 5/4	30	67.3712.0.027	Swing arm
14	67.3704.0.027	Set Screw	31	67.3713.0.027	Shaft
15	03.8002.3.020	Screw M3x20	32	67.3714.0.027	Shaft
16	67.3705.0.027	Valve	33	03.8002.5.010	Screw M5x10
17	67.3706.0.027	Set screw	34	67.0020.0.010	Arm
18	67.3707.0.027	Set Screw	35	67.3715.0.027	Bolt
19	67.3708.0.027	Set Screw	36	67.0018.0.008	Clevis 8mm
20	03.8002.8.020	Screw M8x20	37	67.3716.0.027	Bolt
21	03.8872.8.002	Washer M8	38	67.0020.0.001	Cylinder 25/100

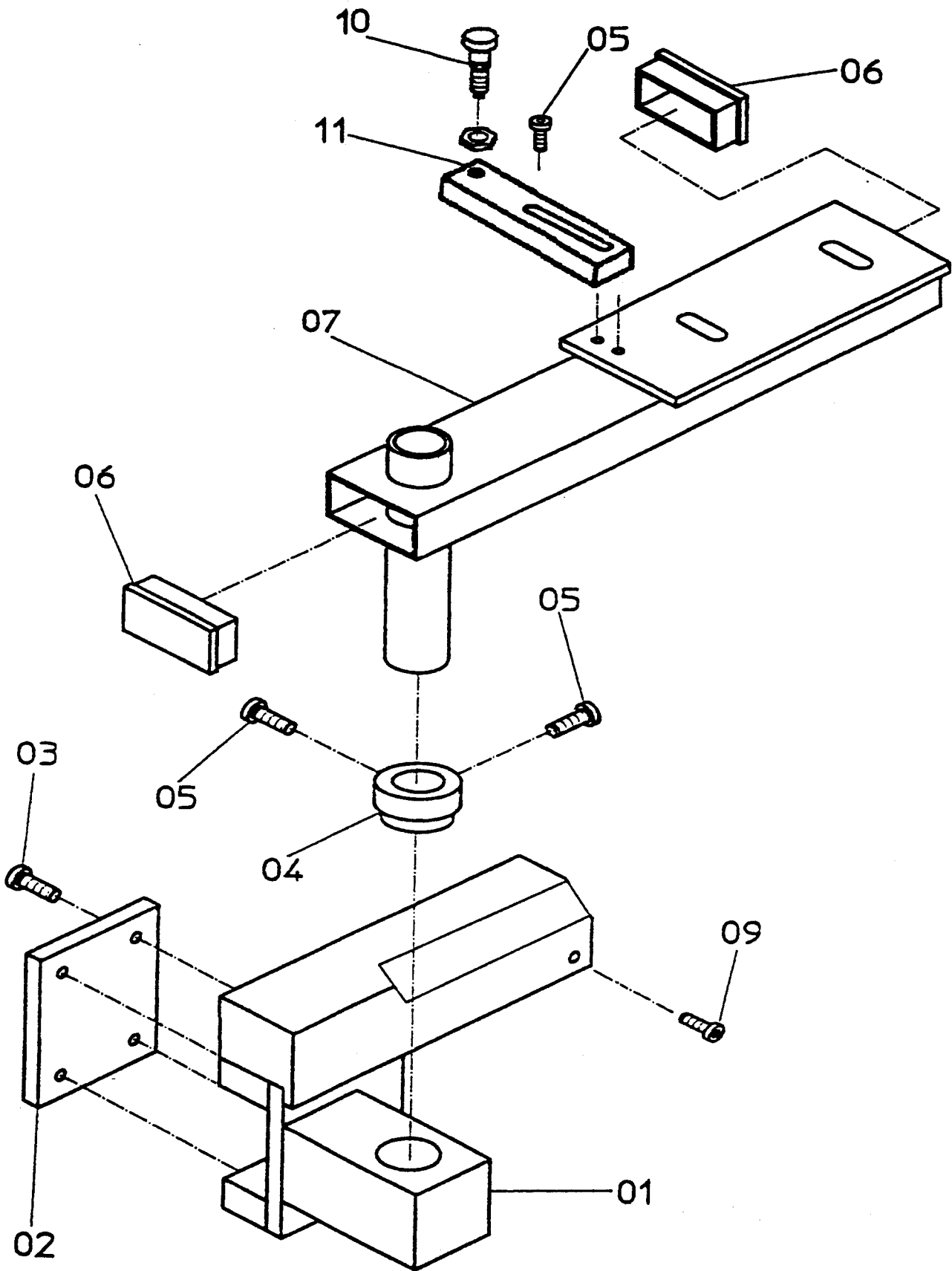
STACKER



STACKER

DET	PART NUMBER	DESCRIPTION	DET	PART NUMBER	DESCRIPTION
1	67.3800.0.028	Arm Shaft	22	67.0016.0.010	Clevis 10mm
2	67.0011.0.002	Flow Contol 1/8-4	23	67.3811.0.028	Stirrup
3	67.0011.0.003	Joint 1/8	24	03.8002.6.006	Screw M6x6
4	67.0021.0.001	Cylinder 20/160	25	67.3812.0.028	Shaft
5	67.3801.0.028	Valve	26	03.8002.5.010	Screw M5x10
6	67.3802.0.028	Clamp Bar	27	67.3813.0.028	Bushing
7	67.3803.0.028	Bolt	28	03.8002.6.010	Screw M6x10
8	67.3804.0.028	Cover plate	29	67.3814.0.028	Square
9	03.8002.6.015	Screw M6x15	30	67.3815.0.028	Bushing
10	67.3805.0.028	Nut M8 closed	31	03.8872.5.004	Washer M16
11	03.8702.8.007	Nut M8	32	67.3702.0.027	Valve
12	67.3806.0.028	Clamp Bar	33	67.3817.0.028	Fitting 5/4
13	03.8002.5.010	Screw M5x10	34	03.8002.3.020	Screw M3x20
14	67.3807.0.028	Set collar	35	67.3818.0.028	Bracket
15	67.3808.0.028	Sleeve	36	67.3819.0.028	Shaft
16	03.8872.8.002	Washer M8	37	03.8002.4.012	Screw M4x12
17	03.8002.8.020	Screw M8x20	38	03.8412.5.006	Screw M5x6
18	03.8002.5.010	Screw M5x10	39	67.3820.0.028	Clamp Arm
19	67.3809.0.028	Set collar	40	67.0016.0.008	Ball Joint 8mm
20	67.3810.0.028	Shaft	41	67.0020.0.010	Arm
21	67.0019.0.001	Cylinder 25/50			

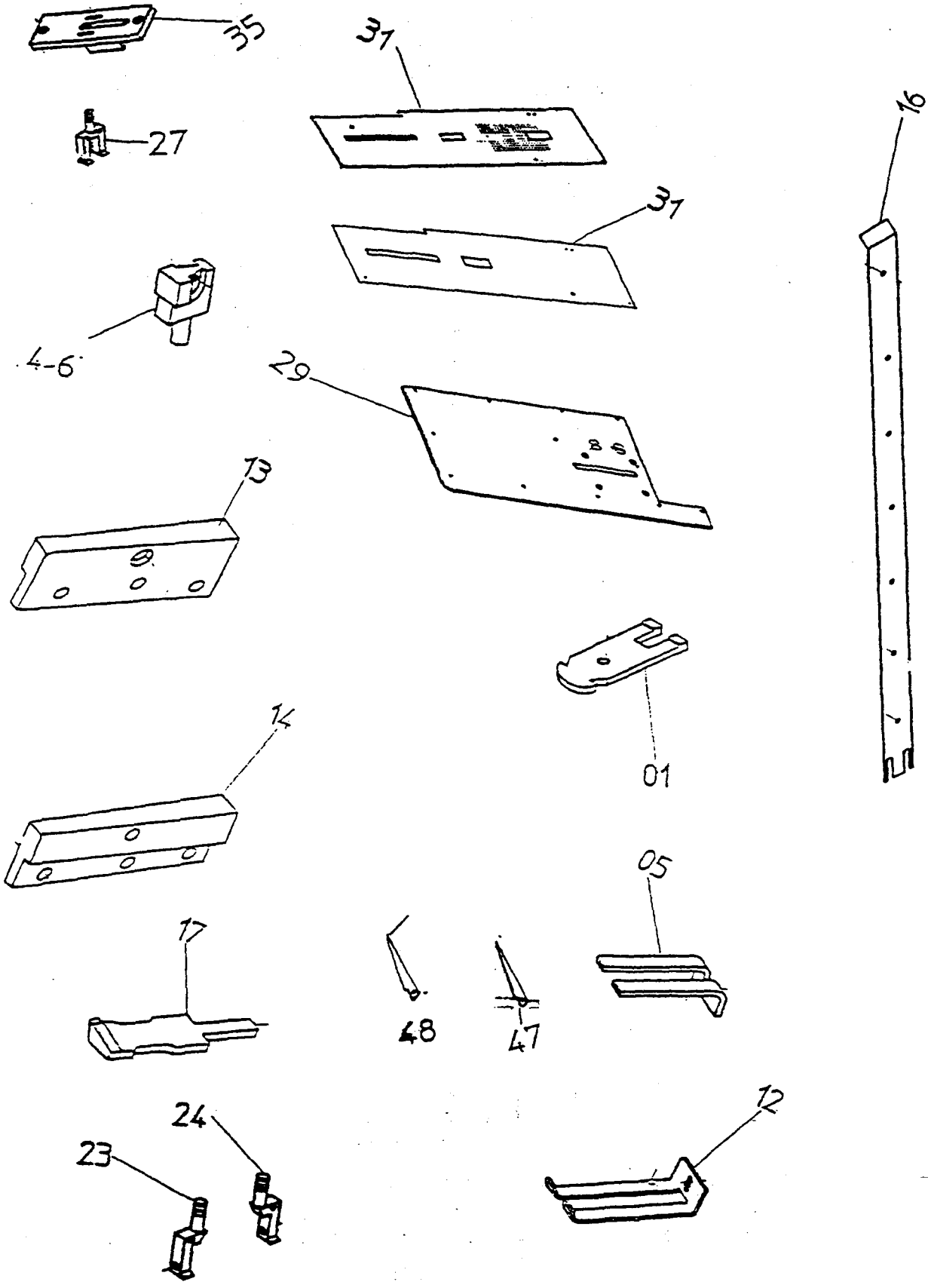
STAKKER CONNECTOR ARM



STAKKER CONNECTOR ARM

DET	PART NUMBER	DESCRIPTION
1	67.3900.0.029	Stacker clamp
2	67.3901.0.029	Plate
3	67.3902.0.029	Screw
4	67.3903.0.029	Set collar
5	03.8002.6.015	Stop
6	67.3904.0.029	Stopper
7	67.3905.0.029	Arm
9	67.3906.0.029	Screw M8x40
10	67.3907.0.029	Pin
11	67.3908.0.029	Arm positioner

SEWING HEAD ASSEMBLY



SEWING HEAD ASSEMBLY

24	67.3615.0.010	Neddle holder Right	10 mm
	67.3615.0.012	Neddle holder Right	12 mm
	67.3615.0.014	Neddle holder Right	14 mm
	67.3615.0.016	Neddle holder Right	16 mm
	67.3615.0.018	Neddle holder Right	18 mm
	67.3615.0.020	Neddle holder Right	20 mm
	67.3615.0.022	Neddle holder Right	22 mm
	67.3615.0.024	Neddle holder Right	24 mm
31	67.1127.0.010	Slideplate withoutpellon feed.	10-12 mm
	67.1127.0.014	Slideplate withoutpellon feed.	14-16 mm
	67.1127.0.018	Slideplate withoutpellon feed.	18-20 mm
	67.1127.0.022	Slideplate withoutpellon feed.	22-24 mm
31	67.1128.0.010	Slideplate with pellon feed.	10-12 mm
	67.1128.0.014	Slideplate with pellon feed.	14-16 mm
	67.1128.0.018	Slideplate with pellon feed.	18-20 mm
	67.1128.0.022	Slideplate with pellon feed.	22-24 mm
13	67.2005.0.010	Holder left	10-12 mm
	67.2005.0.014	Holder left	14-16 mm
	67.2005.0.018	Holder left	18-20 mm
	67.2005.0.022	Holder left	22-24 mm
14	67.2006.0.010	Holder right	10-12 mm
	67.2006.0.014	Holder right	14-16 mm
	67.2006.0.018	Holder right	18-20 mm
	67.2006.0.022	Holder right	20-22 mm
46	67.2047.1.010	Knifecarrier	10-12 mm
	67.2047.1.014	Knifecarrier	14-16 mm
	67.2047.1.018	Knifecarrier	18-20 mm
	67.2047.1.022	Knifecarrier	22-24 mm
1	67.3300.0.010	Thread Catcher	10-12 mm
	67.3300.0.014	Thread Catcher	14-16 mm
	67.3300.0.018	Thread Catcher	18-20 mm
	67.3300.0.022	Thread Catcher	22-24 mm
16	67.2011.0.014	Single welt for zas system	14 mm
	67.2011.0.016	Single welt for zas system	16 mm

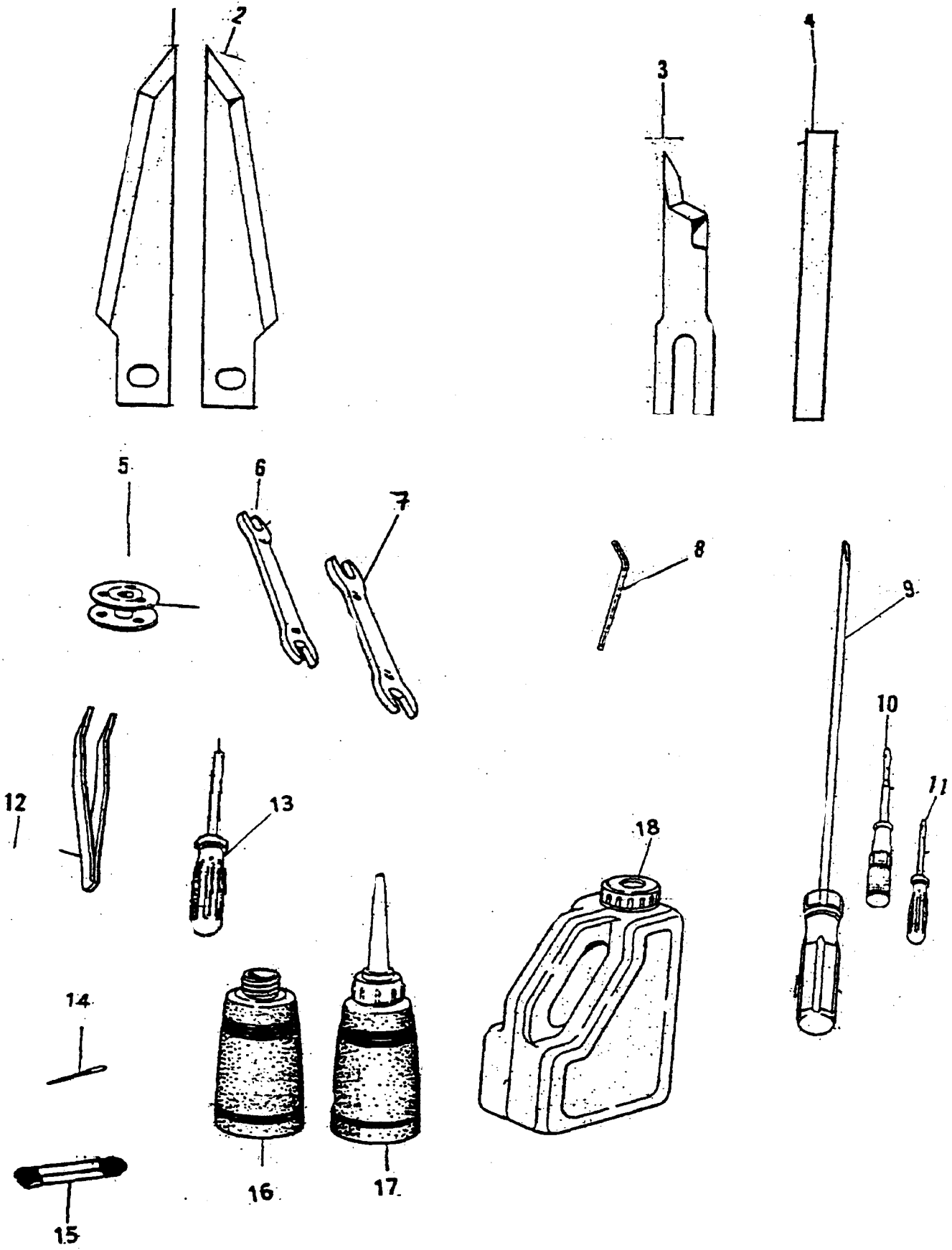
SEWING HEAD ASSEMBLY

16	67.2010.0.010	Single welt left 10mm-22
	67.2010.1.010	Single welt left 10mm-24
	67.2010.0.012	Single welt left 12mm-27
	67.2010.1.012	Single welt left 12mm-29
	67.2010.0.014	Single welt left 14mm-32
	67.2010.1.014	Single welt left 14mm-34
	67.2010.0.016	Single welt left 16mm-37
	67.2010.1.016	Single welt left 16mm-39
	67.2010.0.018	Single welt left 18mm-42
	67.2010.1.018	Single welt left 18mm-44
	67.2010.0.020	Single welt left 20mm-47
	67.2010.1.020	Single welt left 20mm-49
	67.2010.0.022	Single welt left 22mm-52
	67.2010.1.022	Single welt left 22mm-54
	67.2010.0.024	Single welt left 24mm-57
	67.2010.1.024	Single welt left 24mm-59
23	67.3612.0.010	Needle holder Left 10 mm
	67.3612.0.012	Needle holder Left 12 mm
	67.3612.0.014	Needle holder Left 14 mm
	67.3612.0.016	Needle holder Left 16 mm
	67.3612.0.018	Needle holder Left 18 mm
	67.3612.0.020	Needle holder Left 20 mm
	67.3612.0.022	Needle holder Left 22 mm
	67.3612.0.024	Needle holder Left 24 mm

SEWING HEAD ASSEMBLY

35	67.3212.0.010	Throat plate 10mm	48	67.2047.1.002	Knife 10-12 mm	
	67.3212.0.012	Throat plate 12mm		67.2048.1.002	Knife 14-16 mm	
	67.3212.0.014	Throat plate 14mm		67.2049.1.002	Knife 18-20 mm	
	67.3212.0.016	Throat plate 16mm		67.2050.1.002	Knife 22-24 mm	
	67.3212.0.018	Throat plate 18mm		16	67.2008.0.010	Double welt 10mm-17
	67.3212.0.020	Throat plate 20mm			67.2008.1.010	Double welt 10mm-19
	67.3212.0.022	Throat plate 22mm			67.2008.0.012	Double welt 12mm-21
	67.3212.0.024	Throat plate 24mm			67.2008.1.012	Double welt 12mm-23
27	67.3208.0.010	Needle holder 10mm	67.2008.0.014	Double welt 14mm-25		
	67.3208.0.012	Needle holder 12mm	67.2008.1.014	Double welt 14mm-27		
	67.3208.0.014	Needle holder 14mm	67.2008.0.016	Double welt 16mm-29		
	67.3208.0.016	Needle holder 16mm	67.2008.1.016	Double welt 16mm-31		
	67.3208.0.018	Needle holder 18mm	16	67.2008.0.018	Double welt 18mm-33	
	67.3208.0.020	Needle holder 20mm		67.2008.1.018	Double welt 18mm-35	
	67.3208.0.022	Needle holder 22mm		67.2008.0.020	Double welt 20mm-37	
	67.3208.0.024	Needle holder 24mm		67.2008.1.020	Double welt 20mm-39	
5	67.3302.0.010	Knife 10-12 mm	67.2008.0.022	Double welt 22mm-41		
	67.3302.0.014	Knife 14-16 mm	67.2008.1.022	Double welt 22mm-43		
	67.3302.0.018	Knife 18-20 mm	67.2008.0.024	Double welt 24mm-45		
	67.3302.0.022	Knife 22-24 mm	67.2008.1.024	Double welt 24mm-47		
12	67.3306.0.010	Spring 10-12 mm	67.2009.0.010	Single welt right 10mm-22		
	67.3306.0.014	Spring 14-16 mm	67.2009.1.010	Single welt right 10mm-24		
	67.3306.0.018	Spring 18-20 mm	67.2009.0.012	Single welt right 12mm-27		
	67.3306.0.022	Spring 22-24 mm	67.2009.1.012	Single welt right 12mm-29		
17	67.3309.0.010	Guard 10-12 mm	67.2009.0.014	Single welt right 14mm-32		
	67.3309.0.014	Guard 14-16 mm	67.2009.1.014	Single welt right 14mm-34		
	67.3309.0.018	Guard 18-20 mm	67.2009.0.016	Single welt right 16mm-37		
	67.3309.0.022	Guard 22-24 mm	67.2009.1.016	Single welt right 16mm-39		
29	67.1125.0.010	Tableplate 10-12 mm	67.2009.0.018	Single welt right 18mm-42		
	67.1125.0.014	Tableplate 14-16 mm	67.2009.1.018	Single welt right 18mm-44		
	67.1125.0.018	Tableplate 18-20 mm	67.2009.0.020	Single welt right 20mm-47		
	67.1125.0.022	Tableplate 22-24 mm	67.2009.1.020	Single welt right 20mm-49		
47	67.2047.1.001	Knife 10-12 mm	67.2009.0.022	Single welt right 22mm-52		
	67.2048.1.001	Knife 14-16 mm	67.2009.1.022	Single welt right 22mm-54		
	67.2049.1.001	Knife 18-20 mm	67.2009.0.024	Single welt right 24mm-57		
	67.2050.1.001	Knife 22-24 mm	67.2009.1.024	Single welt right 24mm-59		

TOOLS AND SPARE PARTS



TOOLS AND SPARE PARTS

1	67.2047.1.001	Tab.Knife	2 units
2	67.2048.1.002	Tab.Knife	2 units
3	67.2462.0.553	Center Knife	1 unit
4	67.1429.0.004	Reflective Tape	1 unit
5	67.3402.0.024	Bobin	6 units
6	67.4001.0.031	Open end Wrench	1 unit
7	67.4002.0.031	Open end Wrench	1 unit
8	67.4003.0.031	Hexagonal Wrench	6 units
9	67.4004.0.031	Big Screw Driver	1 unit
10	67.4005.0.031	Middle Screw Driver	1 unit
11	67.4006.0.031	Small Screw Driver	1 unit
12	67.4007.0.031	Tweezer	1 unit
13	67.4008.0.031	Needle set screw Wrench	1 unit
14	67.4009.0.031	Needle 134-35R No:100	10 units
15	67.4010.0.031	Fuse	3 units
16	67.4011.0.031	Oiler	1 unit
17	67.4012.0.031	Oiler Assy	1 unit
18	67.4013.0.031	Oil tank	1 unit