

## TABLE OF CONTENTS

---

### INFORMATION

HOUSING SECTIONS .....	3-5
CLAMP SECTION .....	3-6
PEDAL SECTION .....	3-7

### MAIN PARTS LIST

HOUSING SECTIONS .....	3-11
HEAD MOUNTING SECTION .....	3-30
WELT SIZE SECTION .....	3-34
WOOD PANEL .....	3-40
CENTER KNIFE SECTION .....	3-42
TOP THREAD TRIMMER SECTION .....	3-48
UNDER THREAD TRIMMER SECTION .....	3-50
FRONT OF HEAD SECTION .....	3-52
DART STRETCHER .....	3-56
PATCH GUIDE SECTION .....	3-58
LASER SECTION .....	3-60
THREAD MONITOR .....	3-62
REEL STANDS .....	3-64
CLAMP SECTIONS .....	3-66
CLAMP CARRIER .....	3-72
CONTROL PANEL .....	3-78
CORNER - KNIFE UNIT .....	3-80
PEDAL SECTION .....	3-86
AIR FILTER .....	3-88
MAIN STRUCTURE .....	3-90

### ELECTRONIC SECTION

MOTOR SECTIONS .....	3-94
ELECTRONIC SECTIONS .....	3-104
CONNECTOR CARD .....	3-108
PNEUMATIC SECTIONS .....	3-110
ELECTRONIC BOX .....	3-112

### STACKER SECTIONS

STACKER .....	3-116
---------------	-------

### HAND STACKER SECTION

HAND STACKER UNIT .....	3-126
-------------------------	-------

### AUSROLE SECTION

AUSROLE UNIT .....	3-132
--------------------	-------

## TABLE OF CONTENTS

---

### **AUTOMATIC LOADING AND CUTTING DEVICE FOR INT. SECTION**

AUTOMATIC LOADING AND CUTTING ..... 3-136

### **BOBBIN LOADING SECTION**

BOBBIN LOADING SECTION ..... 3-146

### **VACUUM SECTION**

VACUUM SECTION ..... 3-150

### **ANGLE POCKET SECTION**

HOUSING SECTION ..... 3-158

CORNER KNIFE UNIT ..... 3-160

NEEDLE CANCELING UNIT ..... 3-162

### **ZIPPER SECTION**

ZIPPER LOADING UNIT ..... 3-168

ZIPPER KNIFE UNIT ..... 3-170

### **SANDWICH CLAMP SECTION**

SANDWICH CLAMP UNIT ..... 3-178

### **ROBOT SYSTEM SECTION**

ROBOT SYSTEM UNIT ..... 3-182

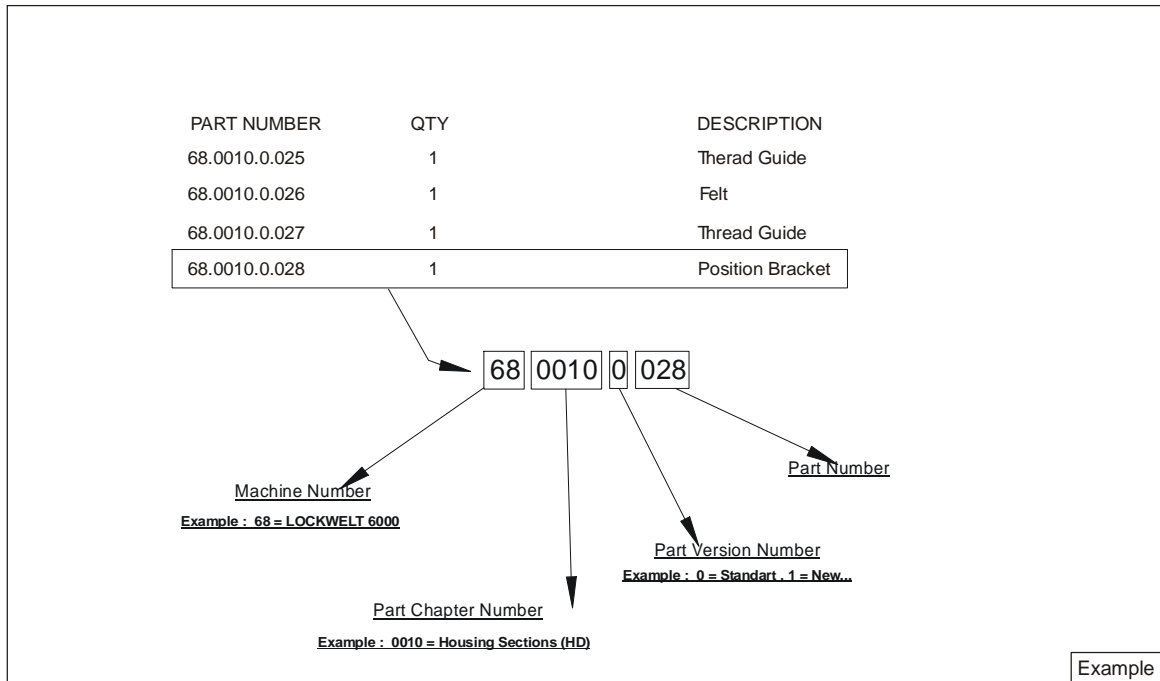
EFKA MOTORS ..... 3-191



# **INFORMATION**



# HOUSING SECTIONS



**Part Chapter Number:**

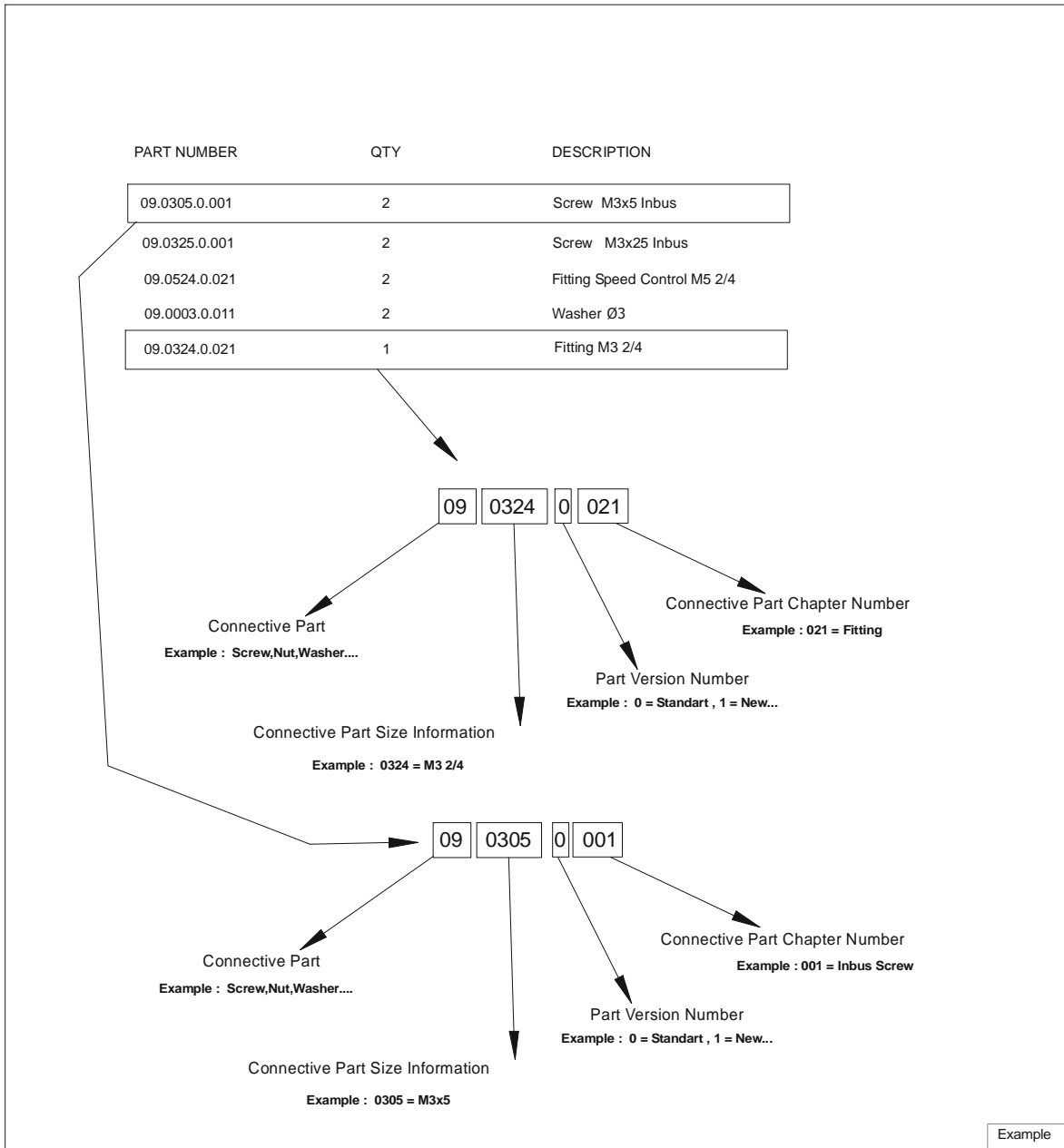
- |   |  |
|---|--|
| 0010 - (HD) Housing Section             | 0037 - (PV) Pneumatic Section                            |
| 0011 - (TS) Tension Section             | 0038 - (PA) Electronic Box Section                       |
| 0012 - (KM) Head Mounting Section       | 0040 - (NC) Needle Conservative Section                  |
| 0013 - (CS) Welt Size Section           | 0041 - (NP) Needle Plate Section                         |
| 0014 - (TH) Wood Panel Section          | 0042 - (SJ) Main Sheet Metal For Jacket Section          |
| 0015 - (PL) Center Knife Section        | 0043 - (ST) Main Sheet Metal For Trouser Section         |
| 0016 - (OB) Center Knife Section        | 0044 - (AS) Patch Guide Aparatus (Single) Section        |
| 0017 - (UI) Top Thead Trimmer Section   | 0045 - (AS) Patch Guide Aparatus Comple (Single) Section |
| 0018 - (AI) Under Thead Trimmer Section | 0046 - (AD) Patch Guide Aparatus (Double) Section        |
| 0019 - (OG) Front Of Head Section       | 0047 - (AD) Patch Guide Aparatus Comple (Double) Section |
| 0020 - (LS) Laser Section               | 0048 - (HO) Top Thread Holder Section                    |
| 0021 - (TN) Thread Monitor Section      | 0049 - (TR) Top Thread Trimmer Section                   |
| 0022 - (MS) Bobbin Loading Section      | 0050 - (IK) Inside Knife Section                         |
| 0023 - (CR) Reel Stands Section         | 0051 - (KT) Corner Knife Tie Section                     |
| 0024 - (GR) Clamp Section               | 0052 - (CK) Corner Knife Section                         |
| 0025 - (AR) Clamp Carrier Section       | 0053 - (AH) Angle Pocket Section                         |
| 0026 - (KY) Clamp Carrier Section       | 0054 - (AK) Angle Pocket Section                         |
| 0027 - (PN) Control Panel Section       | 0055 - (AC) Angle Pocket Section                         |
| 0028 - (KB) Corner Knife Section        | 0056 - (FR) Zipper Section                               |
| 0029 - (TL) Auto. Load. & Cut. Section  | 0057 - (MK) Zipper Section                               |
| 0030 - (PD) Pedal Section               | 0058 - (ZA) Zipper Section                               |
| 0031 - (SR) Air Filter Section          | 0060 - (AU) Ausrole Section                              |
| 0032 - (KS) Main Structure Section      | 0061 - (SC) Sandwich Clamp Section                       |
| 0033 - (VK) Vacuum Section              | 0062 - (HS) Hand Stacker Section                         |
| 0034 - (IS) Stacker Section             |  |
| 0035 - (MO) Motor Section               |  |
| 0036 - (EL) Electronic Section          |  |

Revised 10/2006

e-mail: [service@amfreece.cz](mailto:service@amfreece.cz); [parts@amfreece.cz](mailto:parts@amfreece.cz); website: [www.amfreece.com](http://www.amfreece.com)

Phone: +420 582 309 160 (Service), +420 582 309 189 (343) (Spare Parts); Fax: +420 582 360 606

# CLAMP SECTION

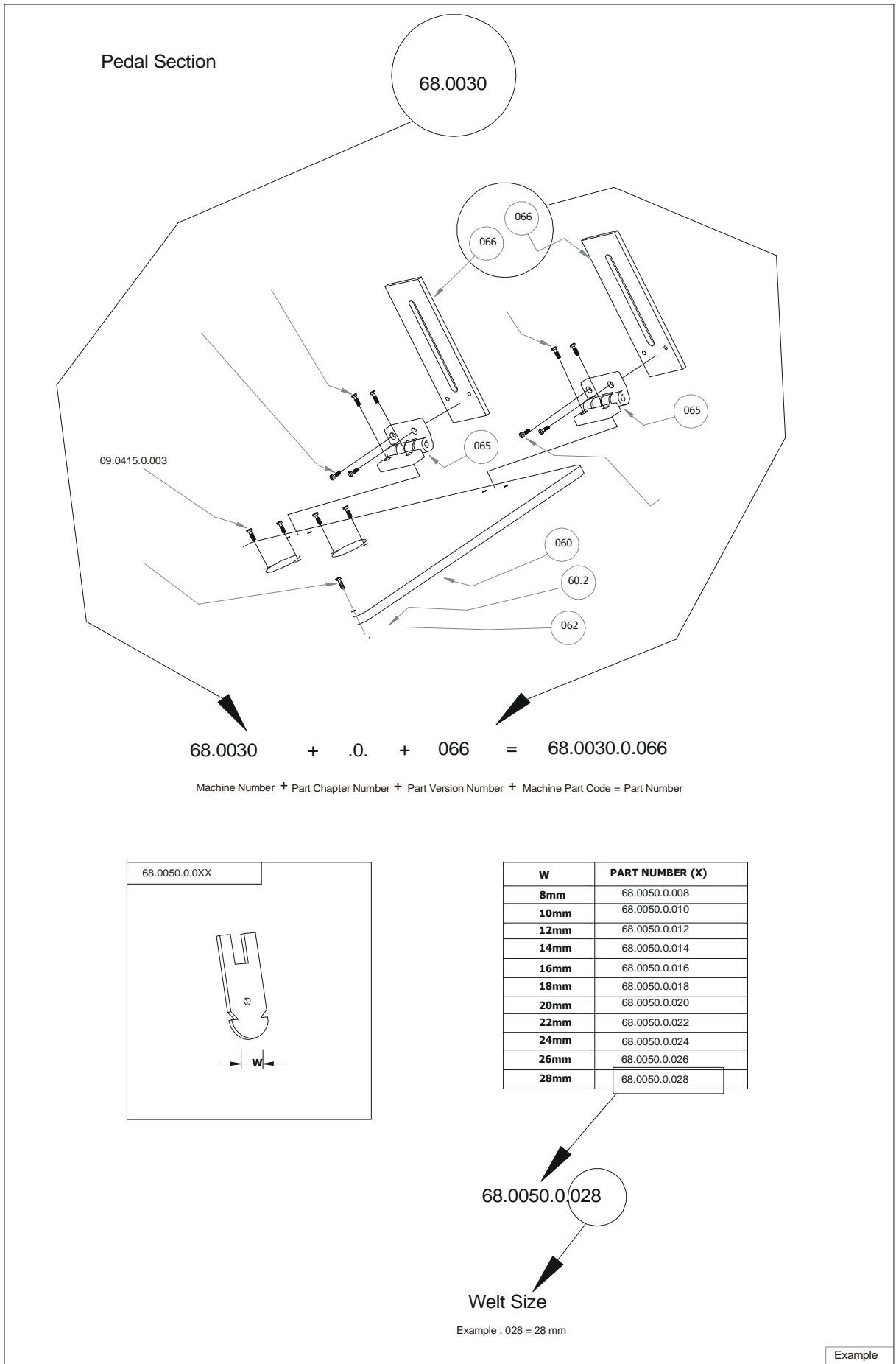


Connective Part Chapter Number:

- |                               |                    |
|-------------------------------|--------------------|
| 001 - Screw Inbus             | 022 - Bush         |
| 002 - Screw Setiskur          | 023 - Ball Bearing |
| 003 - Screw Counterbore Inbus | 024 - Spring       |
| 004 - Screw Counterbore Star  | 025 - Segment      |
| 005 - Screw Other             | 026 - Spangle      |
| 010 - Nut                     | 027 - Oil Place    |
| 011 - Washer                  | 030 - Screw Pan    |
| 012 - Nut Special             | 031 - Screw Flat   |
| 013 - Nut Fibre               | 032 - Screw Socket |
| 020 - Record                  | 033 - Screw Other  |
| 021 - Fitting                 |                    |

Revised 10/2006

**PEDAL SECTION**





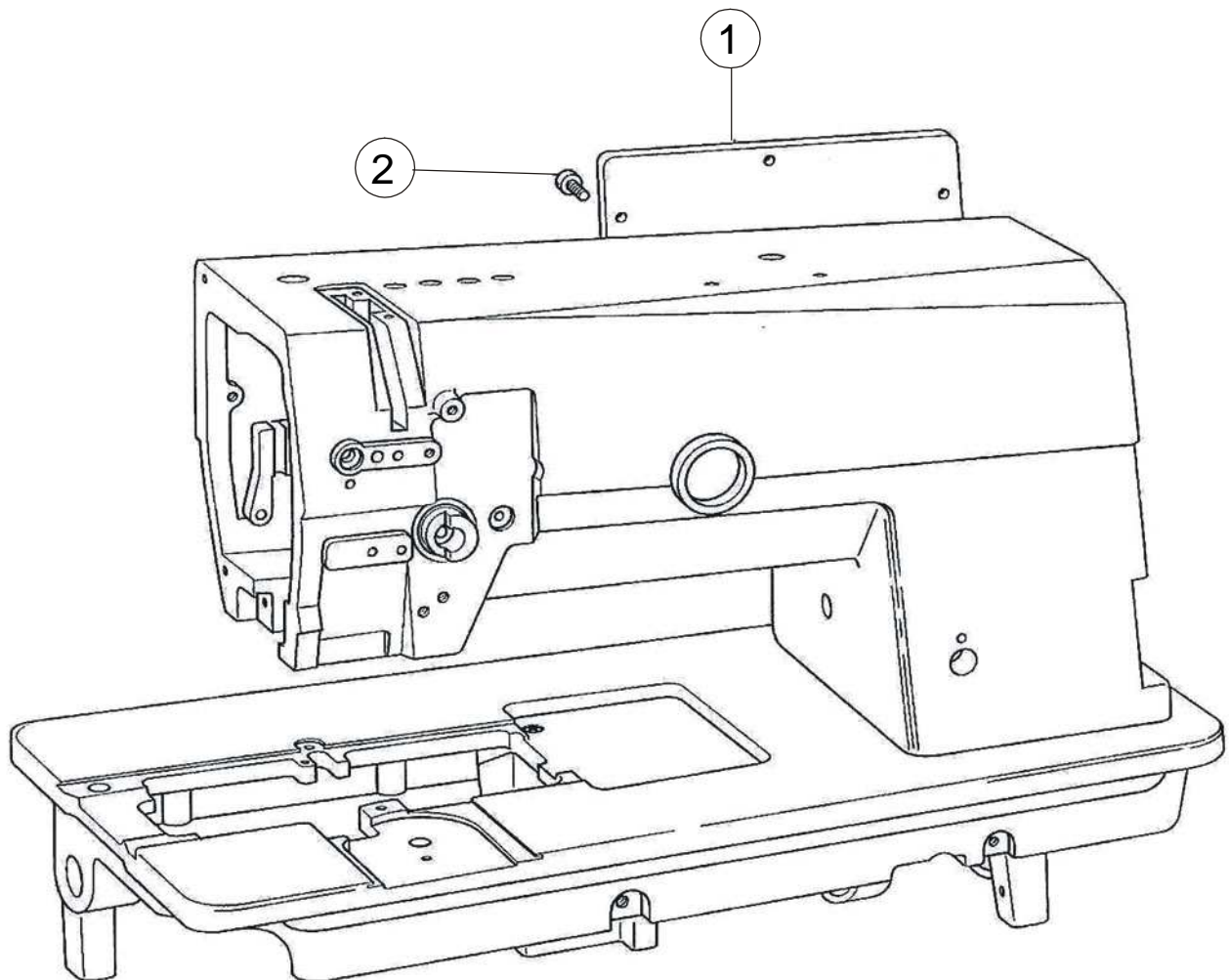




# **MAIN PART LIST**

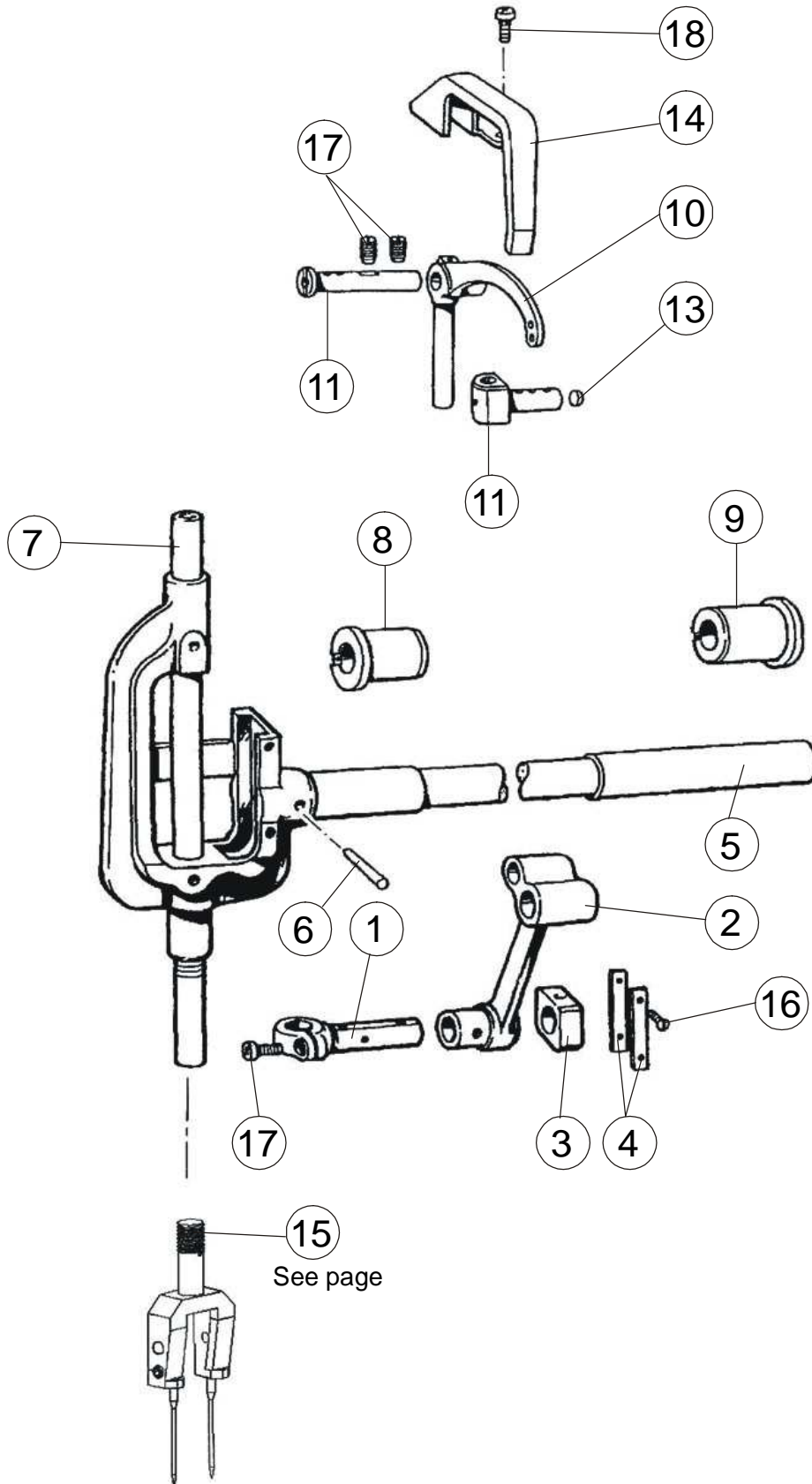


## HOUSING SECTIONS



DET	PART NUMBER	DESCRIPTION	QTY
1	68.0010.0.001	Real Cover	1
2	09.0437.0.030	Screw Pan SM 4.37	4

# HOUSING SECTIONS



## HOUSING SECTIONS

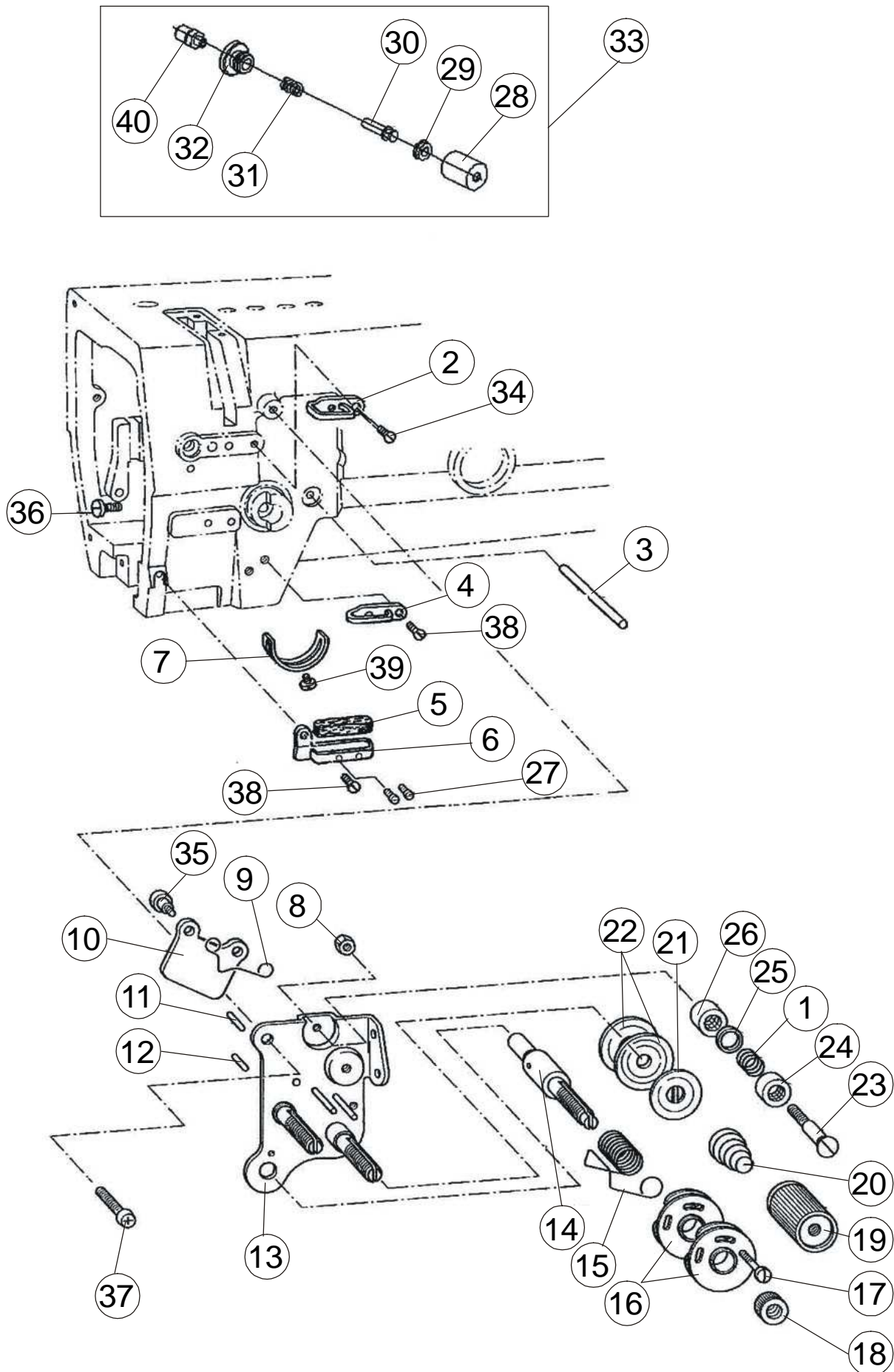
DET	PART NUMBER	DESCRIPTION	QTY
1	68.0010.0.005	Needle Bar Adaptor	1
2	68.0010.0.006	Crank Rod, N-bar	1
3	68.0010.0.007	Slide Blok	1
4	68.0010.0.008	Guide Plote	2
5	68.0010.0.010	Rocker Shaft	1
6	68.0010.0.011	Pin , Taper	1
7	68.0010.0.012	Mile	1
8	68.0010.0.013	Bush L	1
9	68.0010.0.014	Bush R	1
10	68.0010.0.015	Tread take	1
11	68.0010.0.016	Shaft	1
12	68.0010.0.018	Slide Black	1
13	68.0010.0.019	Pusher	1
14	68.0010.0.020	Therad Take Upcover	1
15	68.0040.0.0XX	Needle Clamp (See Page 3-?)	1
16	09.0238.0.031	Screw Fiat SM 2.38	2
17	09.0635.0.032	Screw Socket SM 6.35	2
18	09.0357.0.033	Screw SM 3.57	2

Revised 10/2006

e-mail: [service@amfreece.cz](mailto:service@amfreece.cz); [parts@amfreece.cz](mailto:parts@amfreece.cz); website: [www.amfreece.com](http://www.amfreece.com)

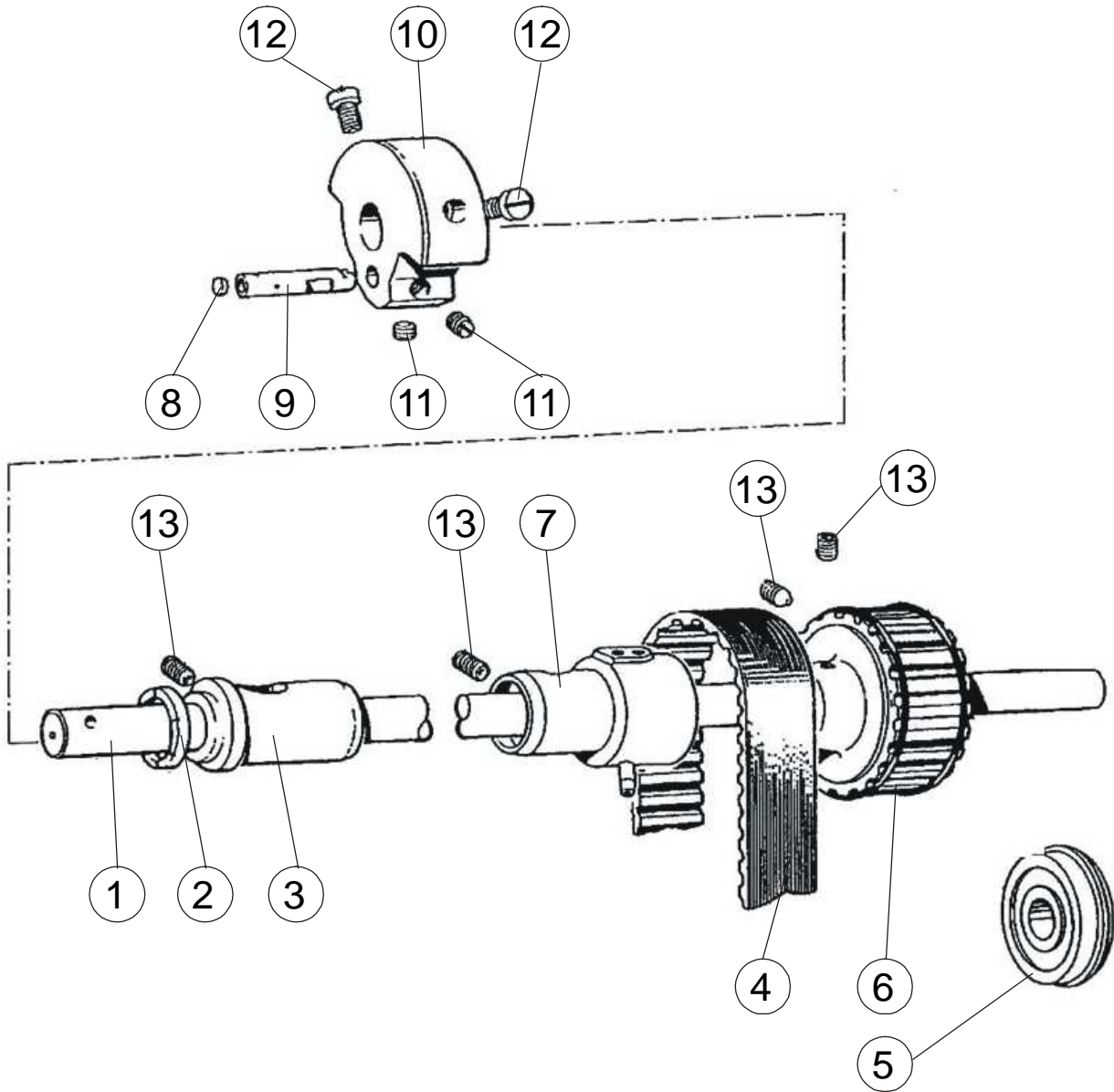
Phone: +420 582 309 160 (Service), +420 582 309 189 (343) (Spare Parts); Fax: +420 582 360 606

# HOUSING SECTIONS





# HOUSING SECTIONS

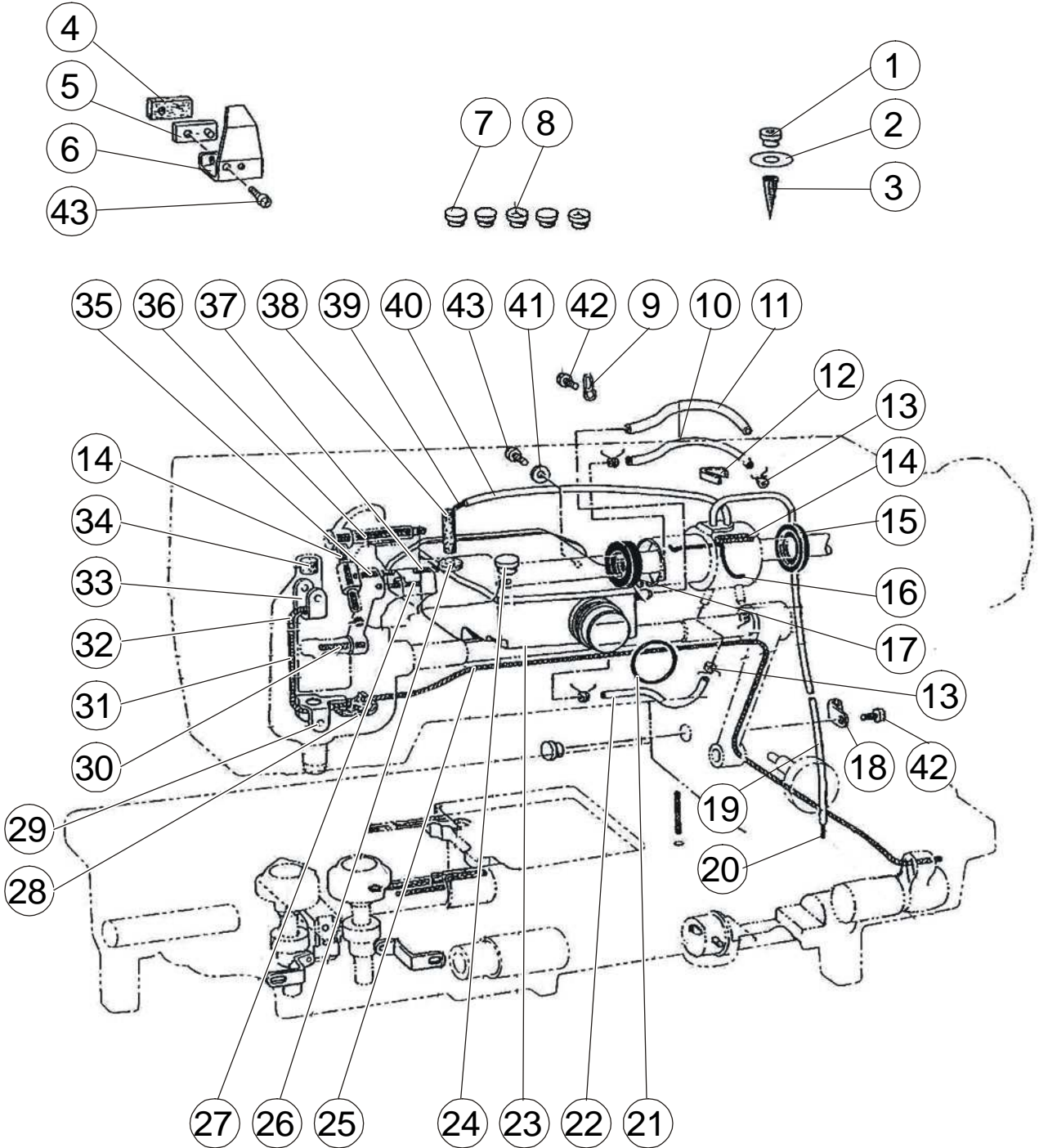




**HOUSING SECTIONS**

DET	PART NUMBER	DESCRIPTION	QTY
1	68.0010.0.051	UpperShaft	1
2	68.0010.0.052	Ring	1
3	68.0010.0.053	Bush	1
4	68.0010.0.054	Timing Belt	1
5	68.0010.0.055	Ball Bearing	1
6	68.0010.0.056	Timing pulley	1
7	68.0010.0.059	Bush Assy	1
8	68.0010.0.061	Pusher	1
9	68.0010.0.062	Crank shaft	1
10	68.0010.0.066	Thread Take Up Crank	1
11	09.0635.0.033	Screw SM 6.35	2
12	09.0714.0.033	Screw SM 7.14	2
13	09.0635.0.032	Screw Socket SM 6.35	3

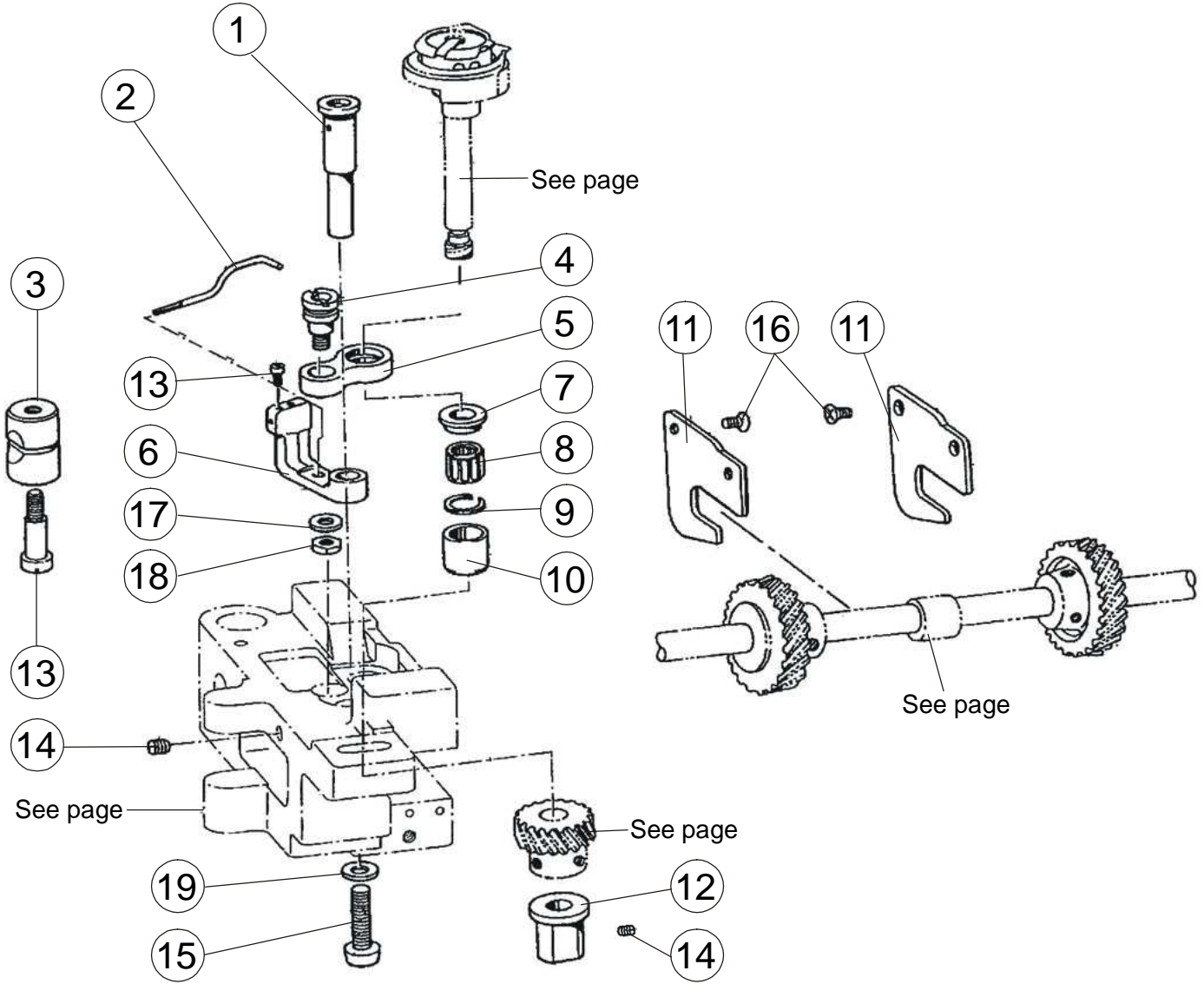
# HOUSING SECTIONS



## HOUSING SECTIONS

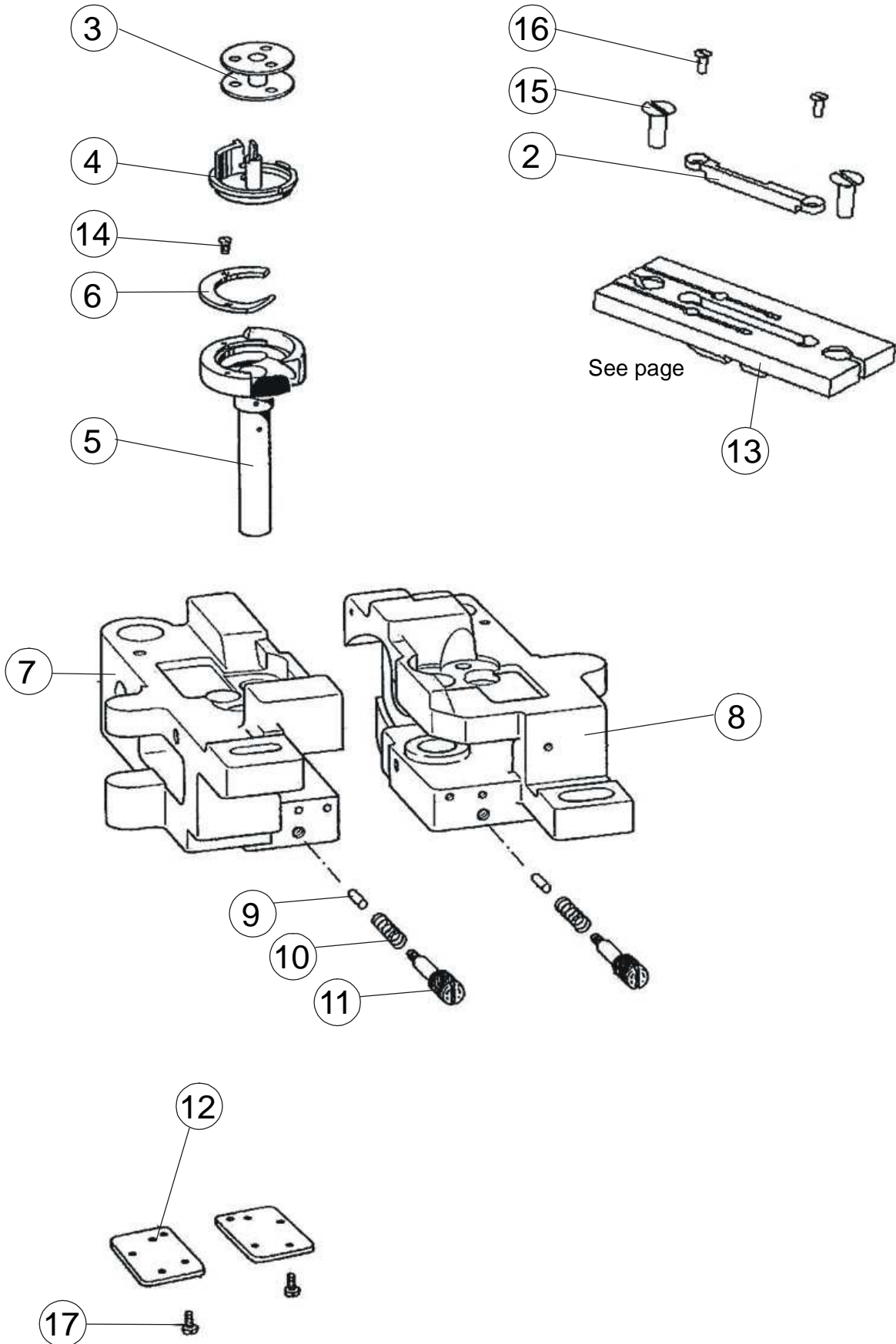
DET	PART NUMBER	DESCRIPTION	QTY
1	68.0010.0.068	Oil Cap	1
2	68.0010.0.069	Oil Mark Sheet	1
3	68.0010.0.070	Oil Filter	1
4	68.0010.0.071	Felt	1
5	68.0010.0.072	Holder	1
6	68.0010.0.073	Oil Stopper	1
7	68.0010.0.075	Rubber Cup	3
8	68.0010.0.076	Oil Cup	2
9	68.0010.0.077	Tupe Support	1
10	68.0010.0.078	Oil Tube	1
11	68.0010.0.079	Oil Tube	1
12	68.0010.0.080	Tube Calking	1
13	68.0010.0.081	Tube Clip	4
14	68.0010.0.082	Wick	2
15	68.0010.0.083	Oil Seal	1
16	68.0010.0.084	Wick	1
17	68.0010.0.085	Oil Seal	1
18	68.0010.0.086	Wick	1
19	68.0010.0.087	Oil Tube	1
20	68.0010.0.088	Oil Tube	1
21	68.0010.0.089	Oring	1
22	68.0010.0.090	Oil Tube	1
23	68.0010.0.091	Oil tank Assy	1
24	68.0010.0.092	Rubber Cap	1
25	68.0010.0.093	Wick	1
26	68.0010.0.094	Felt	1
27	68.0010.0.095	Wick	1
28	68.0010.0.096	Felt	1
29	68.0010.0.097	Felt Support	1
30	68.0010.0.098	Wick	1
31	68.0010.0.099	Wick	1
32	68.0010.0.100	Rubber Cap	1
33	68.0010.0.101	U Connecting	1
34	68.0010.0.102	Cap	1
35	68.0010.0.103	Wick	1
36	68.0010.0.104	Wick	1
37	68.0010.0.105	Wick	1
38	68.0010.0.106	Felt	1
39	68.0010.0.107	Wick	1
40	68.0010.0.108	Oil Tube	1
41	68.0010.0.109	O-Ring	1
42	09.0357.0.030	Screw Pan SM 3.57	2
43	09.0476.0.030	Screw Pan SM 4.76	2

# HOUSING SECTIONS



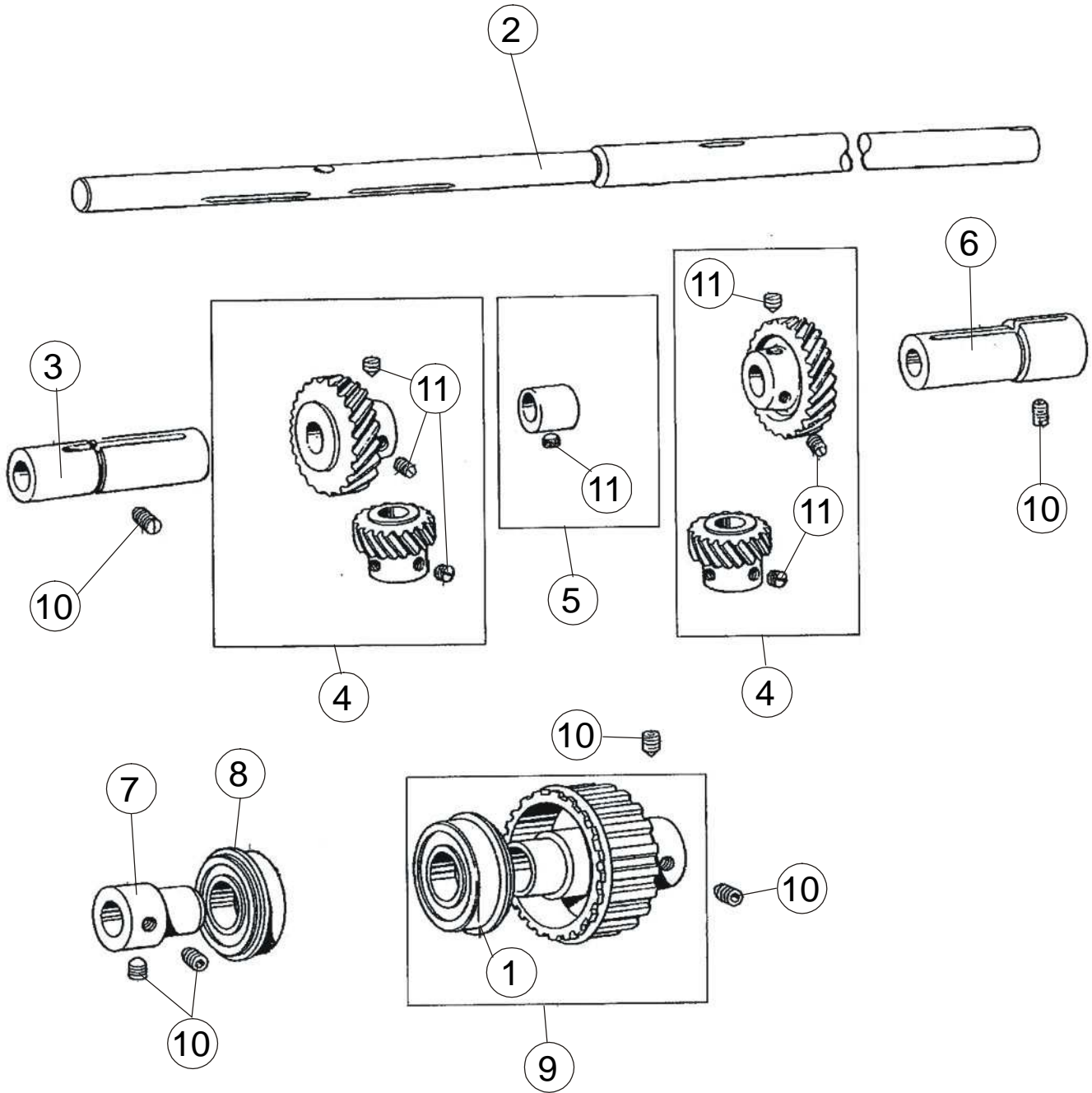


# HOUSING SECTIONS





# HOUSING SECTIONS

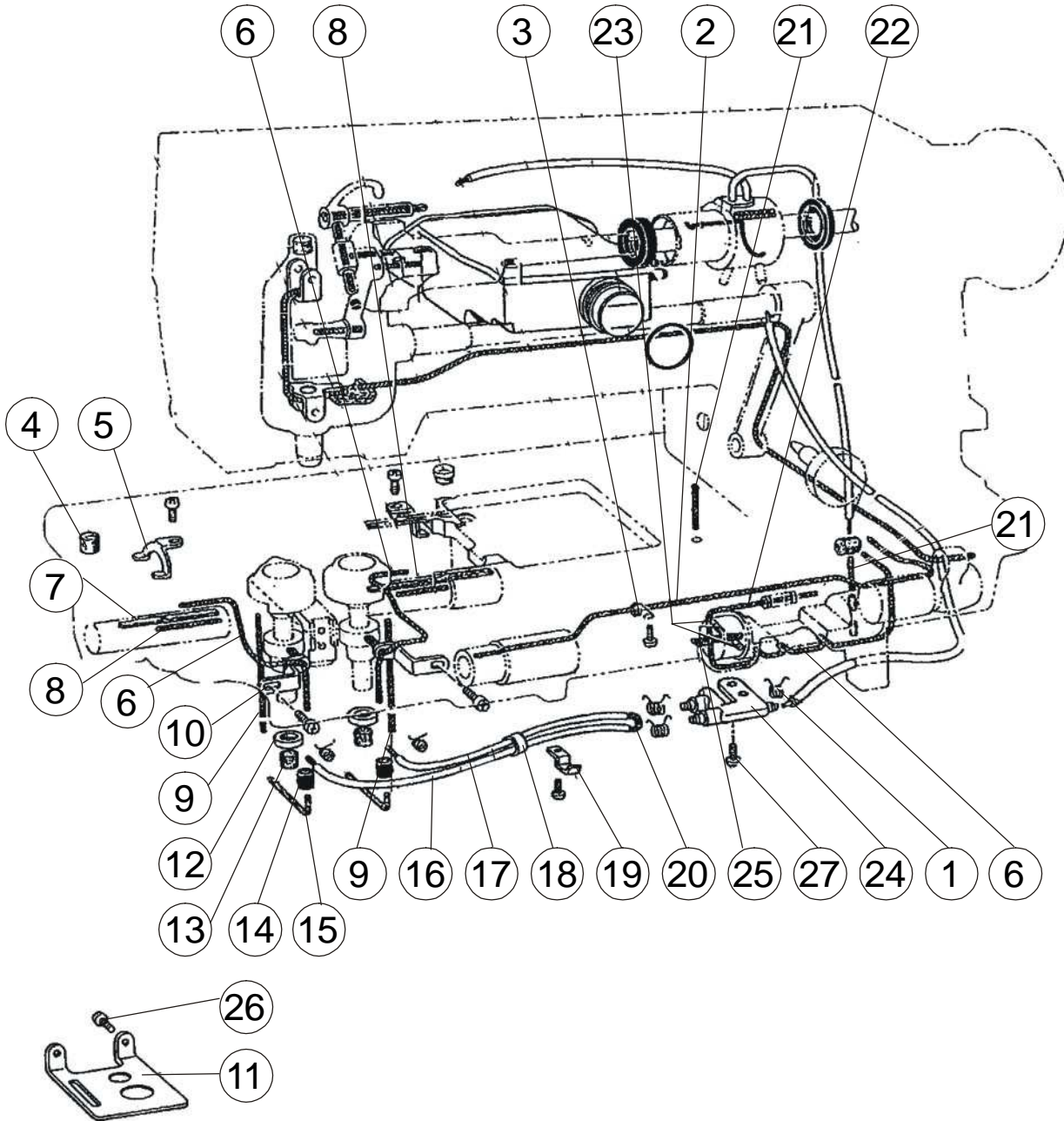




## HOUSING SECTIONS

DET	PART NUMBER	DESCRIPTION	QTY
1	68.0010.0.055	Shaft Bearing	1
2	68.0010.0.143	Lower Shaft	1
3	68.0010.0.144	Bush L	1
4	68.0010.0.145	Spiral Pear Assy	2
5	68.0010.0.148	Lifting Eccentric Wheel Assy	1
6	68.0010.0.149	Bush Assy R	1
7	68.0010.0.150	Ball Bearing	1
8	68.0010.0.151	Ball Bearing	1
9	68.0010.0.154	Timing Pulley Assy	1
10	09.0635.0.032	Screw Socket SM 6.35	5
11	09.0635.0.033	Screw SM 6.35	7

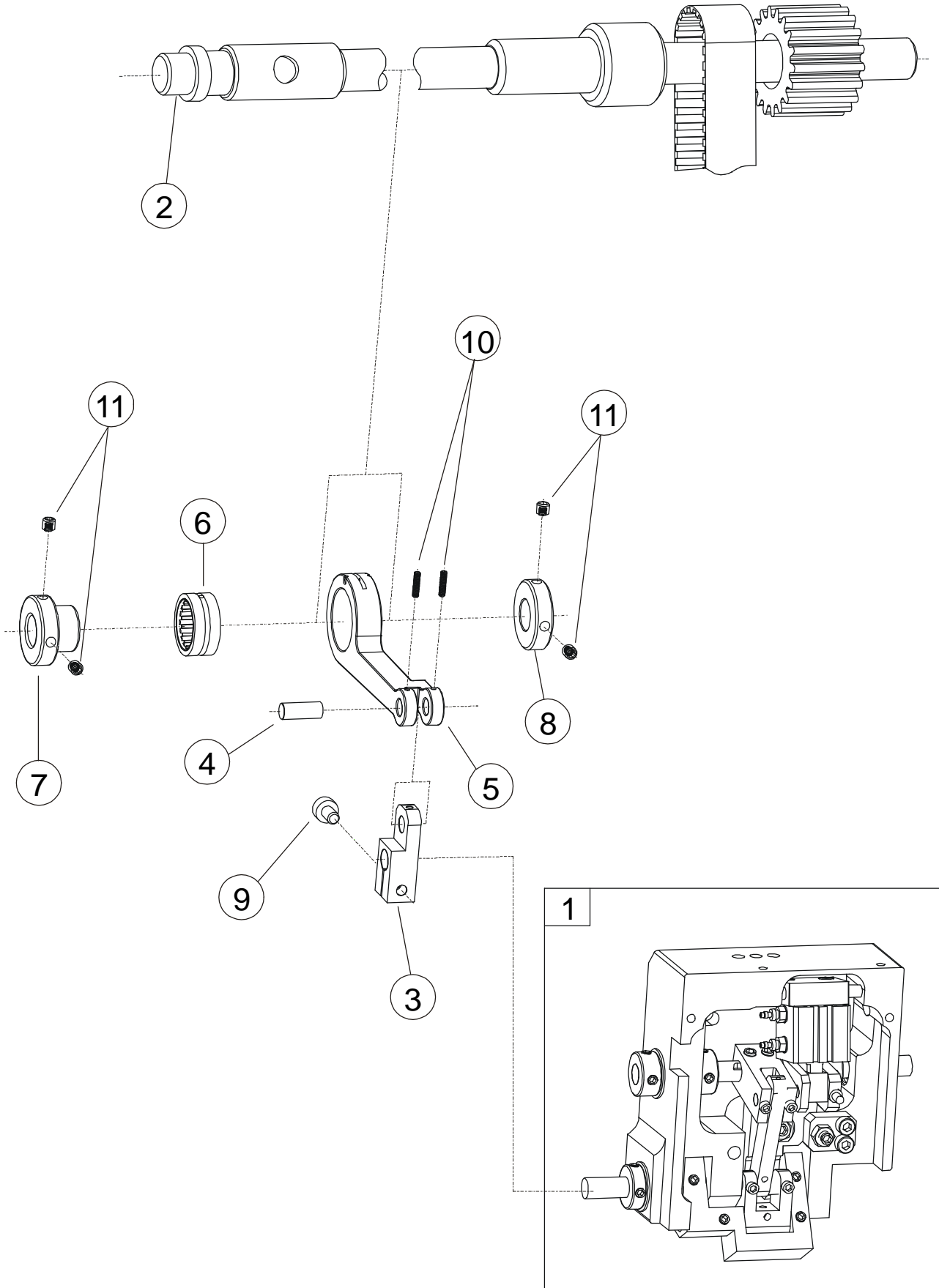
# HOUSING SECTIONS



## HOUSING SECTIONS

DET	PART NUMBER	DESCRIPTION	QTY
1	68.0010.0.081	Tube Clip	5
2	68.0010.0.088	Wick	1
3	68.0010.0.153	Tube Clip	1
4	68.0010.0.155	Felt	3
5	68.0010.0.156	Wick Holder	2
6	68.0010.0.157	Wick	1
7	68.0010.0.158	Wick	1
8	68.0010.0.159	Wick	1
9	68.0010.0.160	Wick	1
10	68.0010.0.161	Wick	2
11	68.0010.0.162	Duslt Protector	1
12	68.0010.0.163	Oil Ring	2
13	68.0010.0.164	Felt	2
14	68.0010.0.165	Rubber Ring	2
15	68.0010.0.166	Felt	2
16	68.0010.0.167	Oil Tube	1
17	68.0010.0.168	Oil Tube	1
18	68.0010.0.169	Tube	1
19	68.0010.0.170	Tube Holder	1
20	68.0010.0.171	Wick	1
21	68.0010.0.172	Wick	1
22	68.0010.0.173	Wjck	1
23	68.0010.0.175	Felt	1
24	68.0010.0.176	Terminal	1
25	68.0010.0.196	Wick	1
26	09.0357.0.033	Screw SM 3.57	2
27	09.0357.0.030	Screw Pan SM 3.57	4

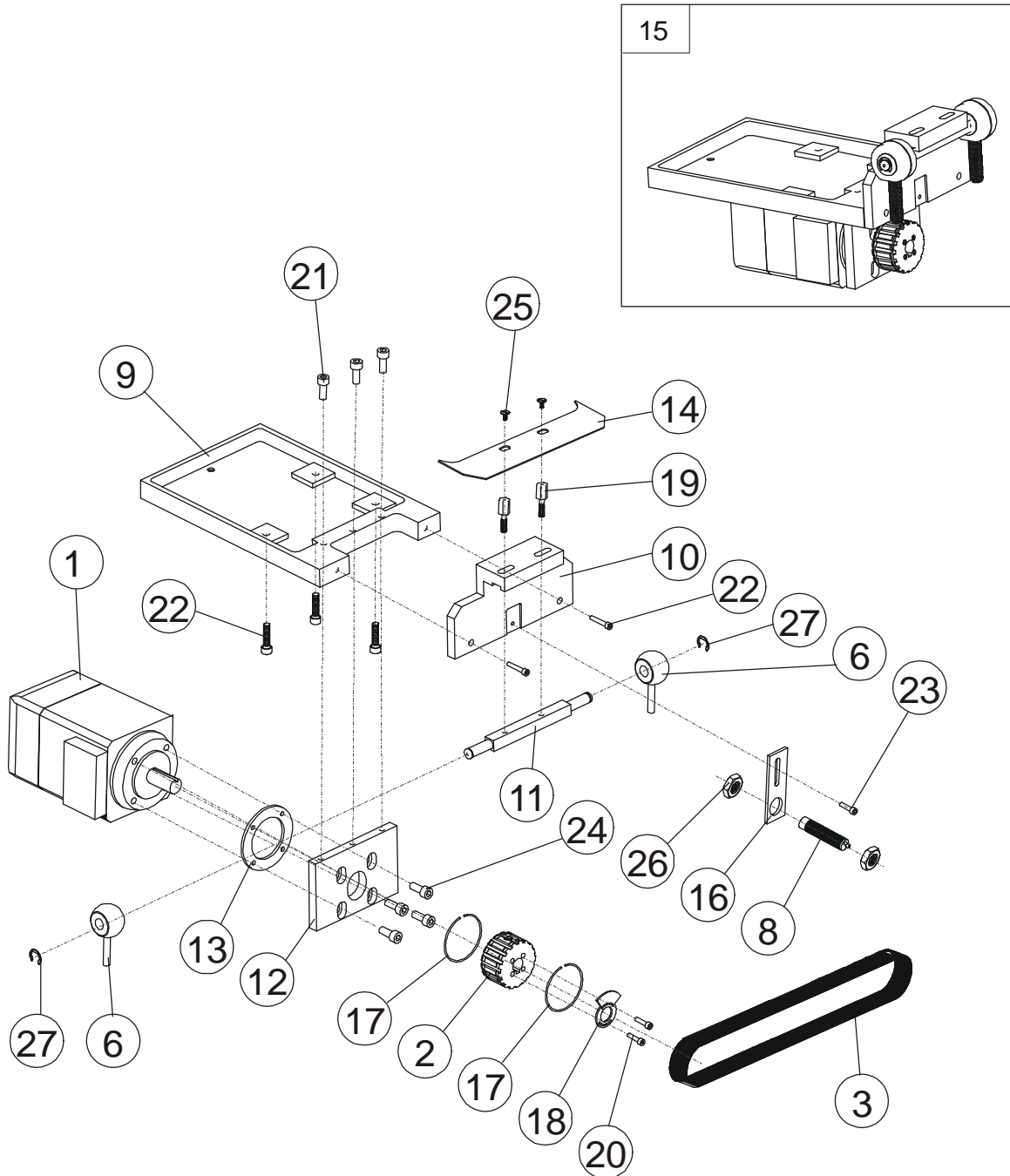
# HOUSING SECTIONS



## HOUSING SECTIONS

DET	PART NUMBER	DESCRIPTION	QTY
1	68.0010.0.010	Puller Complete Unit	1
2	68.0010.0.051	Upper Shaft	1
3	68.0010.0.177	Eccentrik Connector	1
4	68.0010.0.178	Pin	1
5	68.0010.0.179	Eccentric	1
6	68.0010.0.180	Ball Bearing	1
7	68.0010.0.181	Bush	1
8	68.0010.0.182	Bush	1
9	09.0612.0.001	Screw M6x12 Inbus	1
10	09.0308.0.002	Screw M3x8 Inbus	2
11	09.0608.0.002	Screw M6x8 Setiskur	4

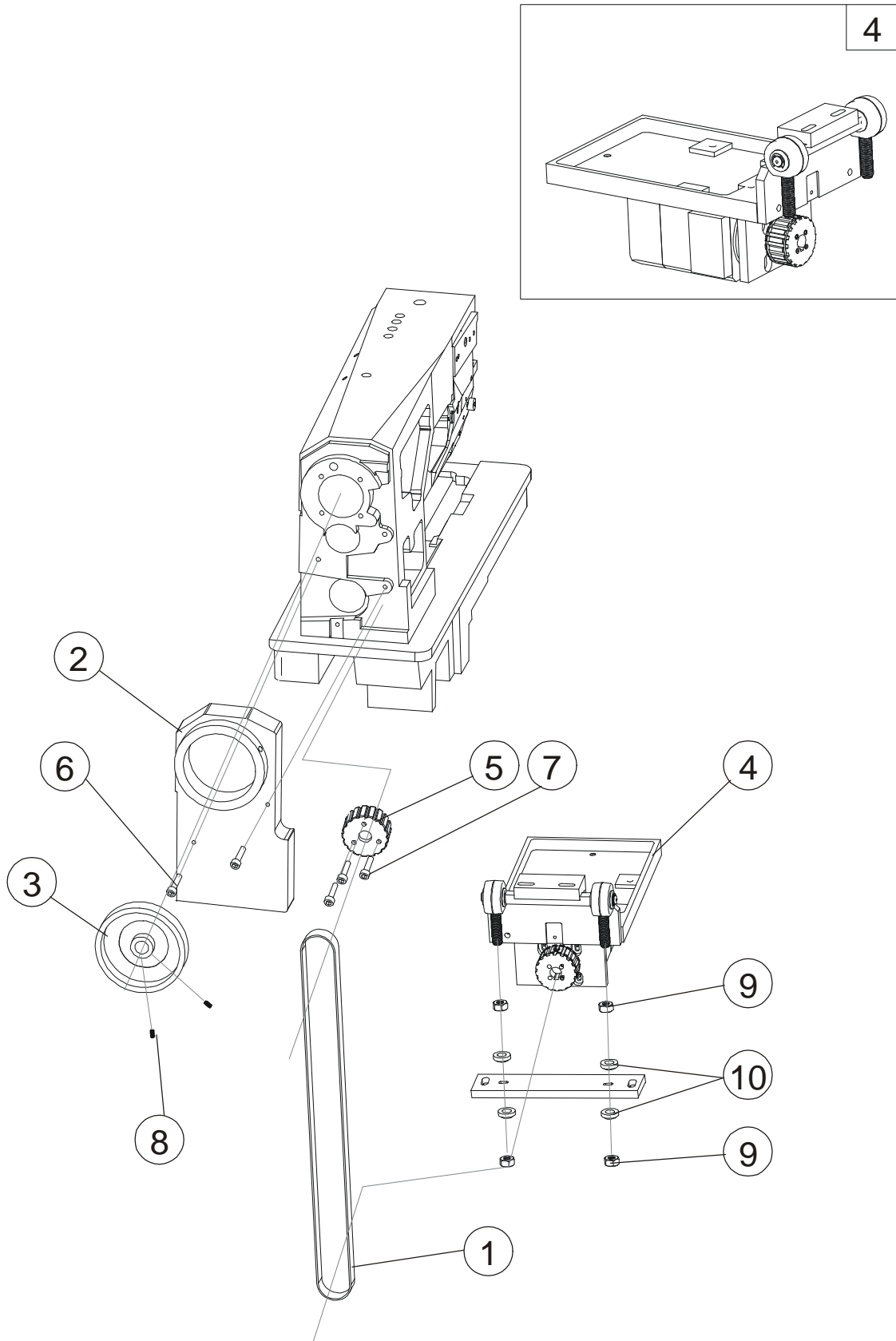
# HEAD MOUNTING SECTION



**HEAD MOUNTING SECTION**

DET	PART NUMBER	DESCRIPTION	QTY
1	68.0035.0.001	Head Motor	1
2	68.0012.0.003	Geared	1
3	68.0012.0.004	Head Motor Belt	1
4	68.0012.0.005	Oil Plate	1
5	68.0012.0.006	Plate Arm	2
6	68.0012.0.007	Rot	2
7	68.0012.0.008	Head Motor Unit Complate	1
8	68.0012.0.013	Sensor	1
9	68.0012.0.060	Oil Plate	1
10	68.0012.0.061	Head Stationary	1
11	68.0012.0.062	Plate Arm	1
12	68.0012.0.063	Head Motor Plate	1
13	68.0012.0.064	Motor Washer	1
14	68.0012.0.065	Sheet Iron Cover	1
15	68.0012.0.066	Head Motor Unit Complate	1
16	68.0012.0.067	Sensor Tie	1
17	68.0012.0.068	Sekman	2
18	68.0012.0.069	Sensor Plate	1
19	68.0012.0.070	Connection Screw	1
20	09.0400.0.005	Screw SM 4x0	2
21	09.0630.0.001	Screw M6x30 Inbus	3
22	09.0625.0.003	Screw M6x25 Counterbore Inbus	4
23	09.0412.0.001	Screw M4X12 Inbus	1
24	09.0510.0.001	Screw M5x10 Inbus	4
25	09.0405.0.005	Screw M4x5	2
26	09.0012.0.010	Nut 12 Special	2
27	09.0006.0.022	Bush M6	2

# HEAD MOUNTING SECTION

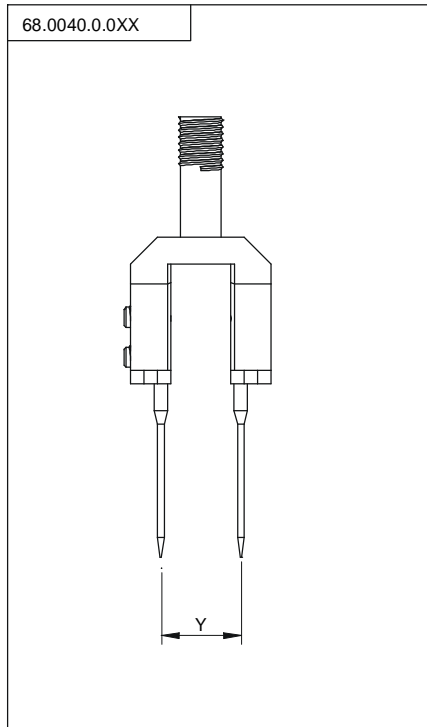




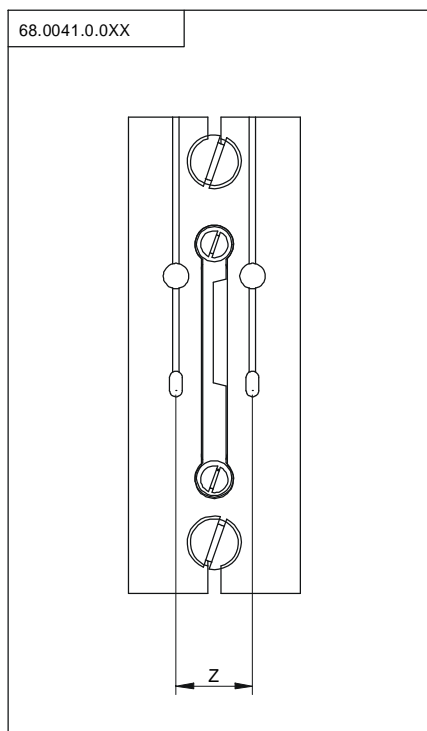
## HEAD MOUNTING SECTION

DET	PART NUMBER	DESCRIPTION	QTY
1	68.0035.0.004	Head Motor Belt	1
2	68.0012.0.011	Head Cover	1
3	68.0012.0.014	Belt Pulley	1
4	68.0012.0.066	Head Motor Comple Unit	1
5	68.0012.0.070	Geared	1
6	09.0535.0.001	Screw M5x35 Inbus	2
7	09.0610.0.001	Screw M6x10 Special Inbus	3
8	09.0620.0.002	Screw M6x20 Setiskur	2
9	09.0012.0.010	Nut M12.1 Special Nut	4
10	09.0012.0.011	Washer Ø12	4

## WELT SIZE SECTION

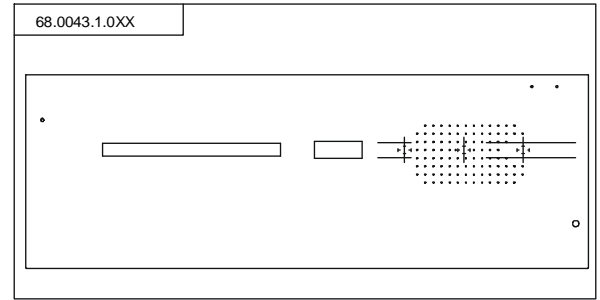
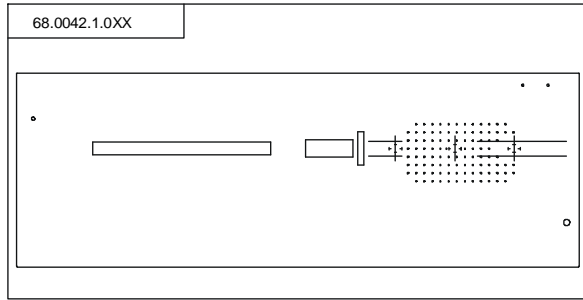


Y	CODE (X)
8 mm	68.0040.0.008
10 mm	68.0040.0.010
12 mm	68.0040.0.012
14 mm	68.0040.0.014
16 mm	68.0040.0.016
18 mm	68.0040.0.018
20 mm	68.0040.0.020
22 mm	68.0040.0.022
24 mm	68.0040.0.024
26 mm	68.0040.0.026
28 mm	68.0040.0.028



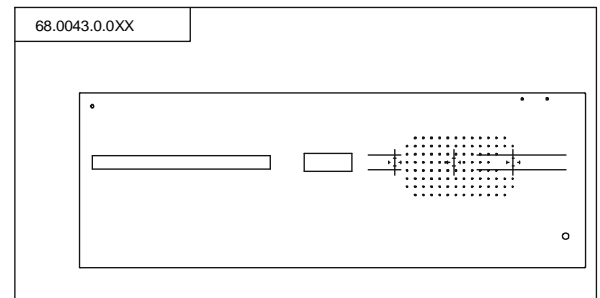
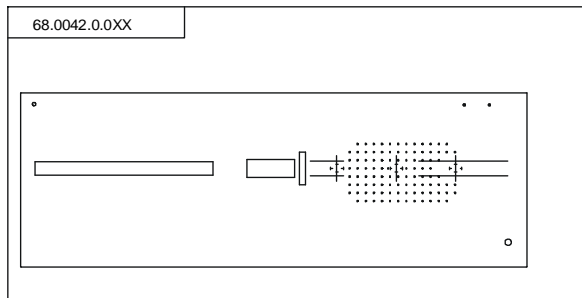
Z	CODE (X)
8 mm	68.0041.0.008
10 mm	68.0041.0.010
12 mm	68.0041.0.012
14 mm	68.0041.0.014
16 mm	68.0041.0.016
18 mm	68.0041.0.018
20 mm	68.0041.0.020
22 mm	68.0041.0.022
24 mm	68.0041.0.024
26 mm	68.0041.0.026
28 mm	68.0041.0.028

## WELT SIZE SECTION



W	CODE (X)
8 mm	68.0042.1.008
10 mm	68.0042.1.018
12 mm	
14 mm	
16 mm	
18 mm	68.0042.1.022
20 mm	
22 mm	68.0042.1.028
24 mm	
26 mm	
28 mm	

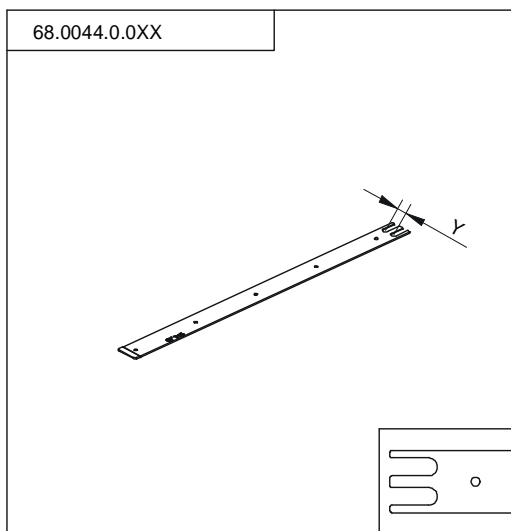
X	CODE (X)
8 mm	68.0043.1.008
10 mm	68.0043.1.018
12 mm	
14 mm	
16 mm	
18 mm	68.0043.1.022
20 mm	
22 mm	68.0043.1.028
24 mm	
26 mm	
28 mm	



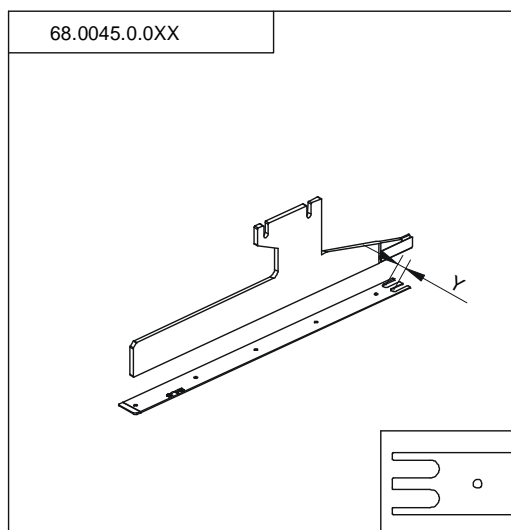
W	CODE (X)
8 mm	68.0042.0.008
10 mm	68.0042.0.018
12 mm	
14 mm	
16 mm	
18 mm	68.0042.0.022
20 mm	
22 mm	68.0042.0.028
24 mm	
26 mm	
28 mm	

X	CODE (X)
8 mm	68.0043.0.008
10 mm	68.0043.0.018
12 mm	
14 mm	
16 mm	
18 mm	68.0043.0.022
20 mm	
22 mm	68.0043.0.028
24 mm	
26 mm	
28 mm	

## WELT SIZE SECTION

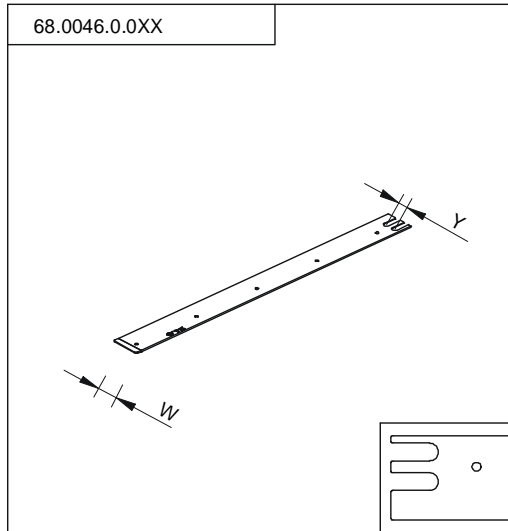


Y	CODE (X)
8 mm	68.0044.0.008
10 mm	68.0044.0.010
12 mm	68.0044.0.012
14 mm	68.0044.0.014
16 mm	68.0044.0.016
18 mm	68.0044.0.018
20 mm	68.0044.0.020
22 mm	68.0044.0.022
24 mm	68.0044.0.024
26 mm	68.0044.0.026
28 mm	68.0044.0.028

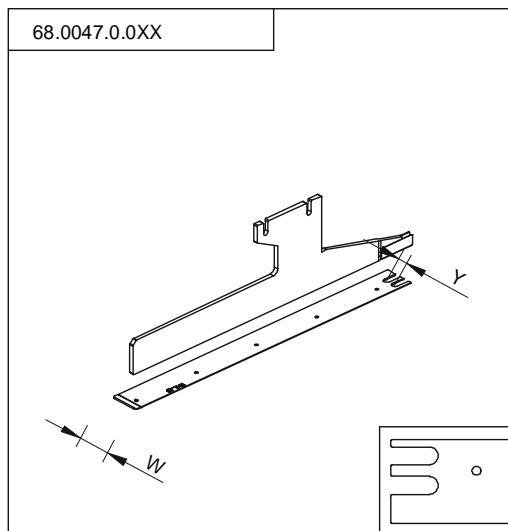


Y	CODE (X)
8 mm	68.0045.0.008
10 mm	68.0045.0.010
12 mm	68.0045.0.012
14 mm	68.0045.0.014
16 mm	68.0045.0.016
18 mm	68.0045.0.018
20 mm	68.0045.0.020
22 mm	68.0045.0.022
24 mm	68.0045.0.024
26 mm	68.0045.0.026
28 mm	68.0045.0.028

**WELT SIZE SECTION**

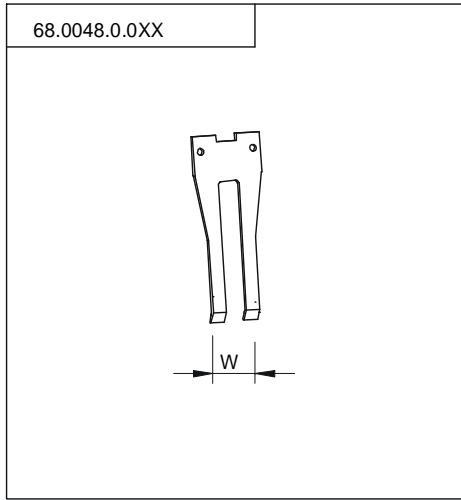


Y	CODE (X)
8 mm	68.0046.0.008
10 mm	68.0046.0.010
12 mm	68.0046.0.012
14 mm	68.0046.0.014
16 mm	68.0046.0.016
18 mm	68.0046.0.018
20 mm	68.0046.0.020
22 mm	68.0046.0.022
24 mm	68.0046.0.024
26 mm	68.0046.0.026
28 mm	68.0046.0.028

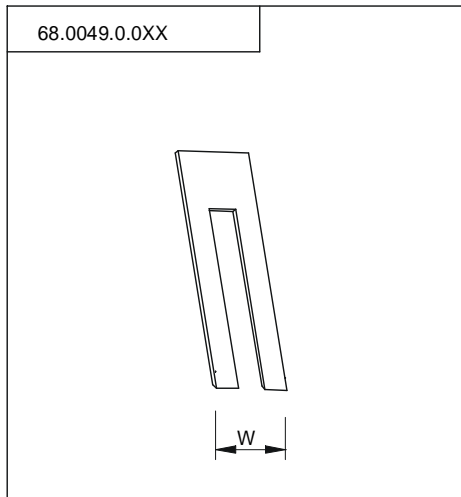


Y	CODE (X)
8 mm	68.0047.0.008
10 mm	68.0047.0.010
12 mm	68.0047.0.012
14 mm	68.0047.0.014
16 mm	68.0047.0.016
18 mm	68.0047.0.018
20 mm	68.0047.0.020
22 mm	68.0047.0.022
24 mm	68.0047.0.024
26 mm	68.0047.0.026
28 mm	68.0047.0.028

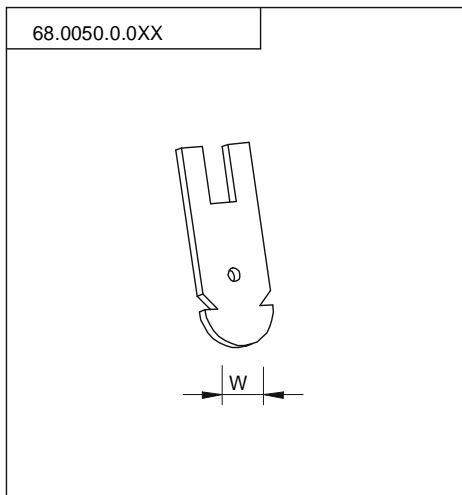
## WELT SIZE SECTION



W	CODE (X)
8 mm	68.0048.0.014
10 mm	
12 mm	
14 mm	68.0048.0.018
16 mm	
18 mm	
20 mm	68.0048.0.024
22 mm	
24 mm	
26 mm	68.0048.0.028
28 mm	

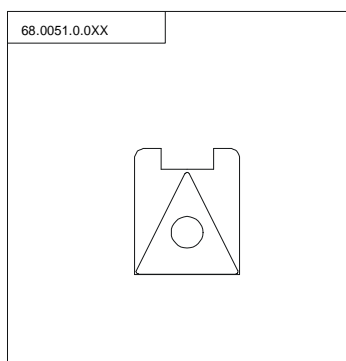


W	CODE (X)
8 mm	68.0049.0.014
10 mm	
12 mm	
14 mm	68.0049.0.018
16 mm	
18 mm	
20 mm	68.0049.0.024
22 mm	
24 mm	
26 mm	68.0049.0.028
28 mm	

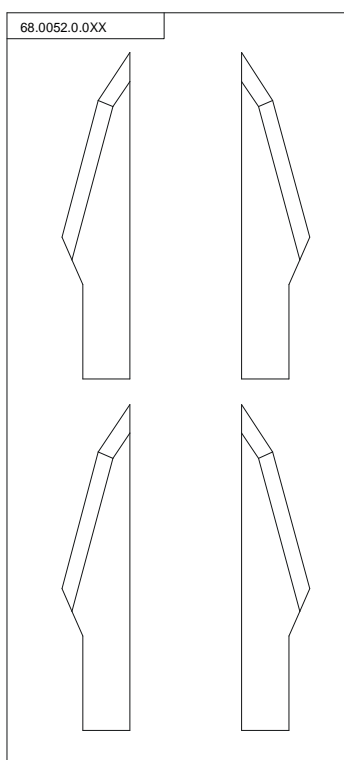


W	CODE (X)
8 mm	68.0050.0.008
10 mm	68.0050.0.010
12 mm	68.0050.0.012
14 mm	68.0050.0.014
16 mm	68.0050.0.016
18 mm	68.0050.0.018
20 mm	68.0050.0.020
22 mm	68.0050.0.022
24 mm	68.0050.0.024
26 mm	68.0050.0.026
28 mm	68.0050.0.028

## WELT SIZE SECTION



W	CODE
8 mm	68.0051.0.008
10 mm	68.0051.0.010
12 mm	68.0051.0.012
14 mm	68.0051.0.014
16 mm	68.0051.0.016
18 mm	68.0051.0.018
20 mm	68.0051.0.020
22 mm	68.0051.0.022
24 mm	68.0051.0.024
26 mm	68.0051.0.026
28 mm	68.0051.0.028



W	CODE
8 mm	68.0052.0.008
10 mm	68.0052.0.010
12 mm	68.0052.0.012
14 mm	68.0052.0.014
16 mm	68.0052.0.016
18 mm	68.0052.0.018
20 mm	68.0052.0.020
22 mm	68.0052.0.022
24 mm	68.0052.0.024
26 mm	68.0052.0.026
28 mm	68.0052.0.028

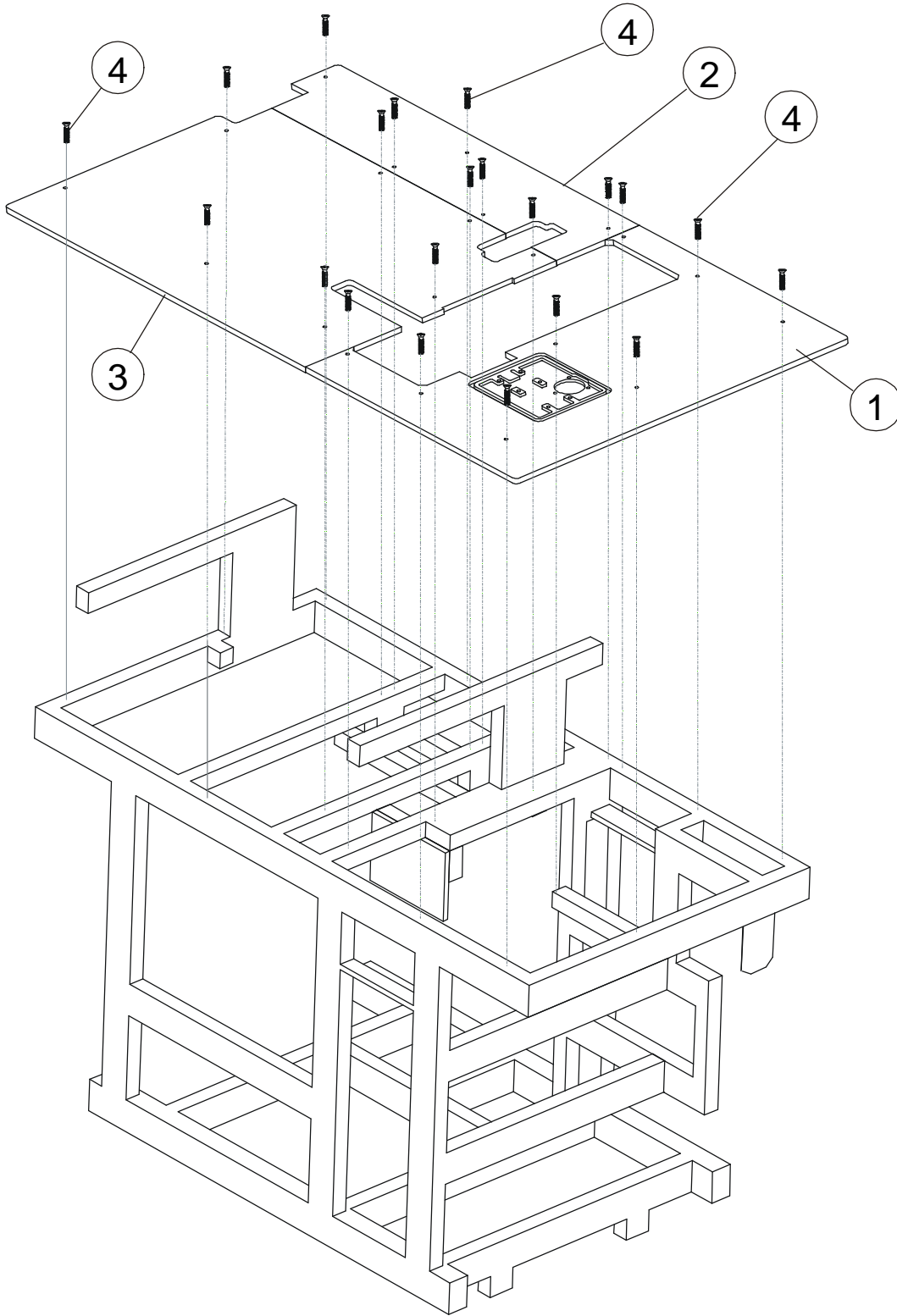
DET	PART NUMBER	DESCRIPTION	QTY
1	68.0040.0.0XX	Needle Conservative	1
2	68.0041.0.0XX	Needle Plate	1
3	68.0042.0.0XX	Main Sheet Metal for Jacket	1
4	68.0042.1.0XX	Main Sheet Metal for Jacket (Little)	1
5	68.0043.0.0XX	Main Sheet Metal for Trouser	1
6	68.0043.1.0XX	Main Sheet Metal for Trouser (Little)	1
7	68.0044.0.0XX	Patch Guide Apparatus (Single)	1
8	68.0045.0.0XX	Patch Guide Apparatus Comple (Single)	1
9	68.0046.0.0XX	Patch Guide Apparatus (Double)	1
10	68.0047.0.0XX	Patch Guide Apparatus Comple (Double)	1
11	68.0048.0.0XX	Top Thread Holder	1
12	68.0049.0.0XX	Top Thread Trimmer	1
13	68.0050.0.0XX	Inside Knife	1
14	68.0051.0.0XX	Corner Knife Tie	1
15	68.0052.0.0XX	Corner Knife	1

Revised 10/2006

e-mail: [service@amfreece.cz](mailto:service@amfreece.cz); [parts@amfreece.cz](mailto:parts@amfreece.cz); website: [www.amfreece.com](http://www.amfreece.com)

Phone: +420 582 309 160 (Service), +420 582 309 189 (343) (Spare Parts); Fax: +420 582 360 606

# WOOD PANEL

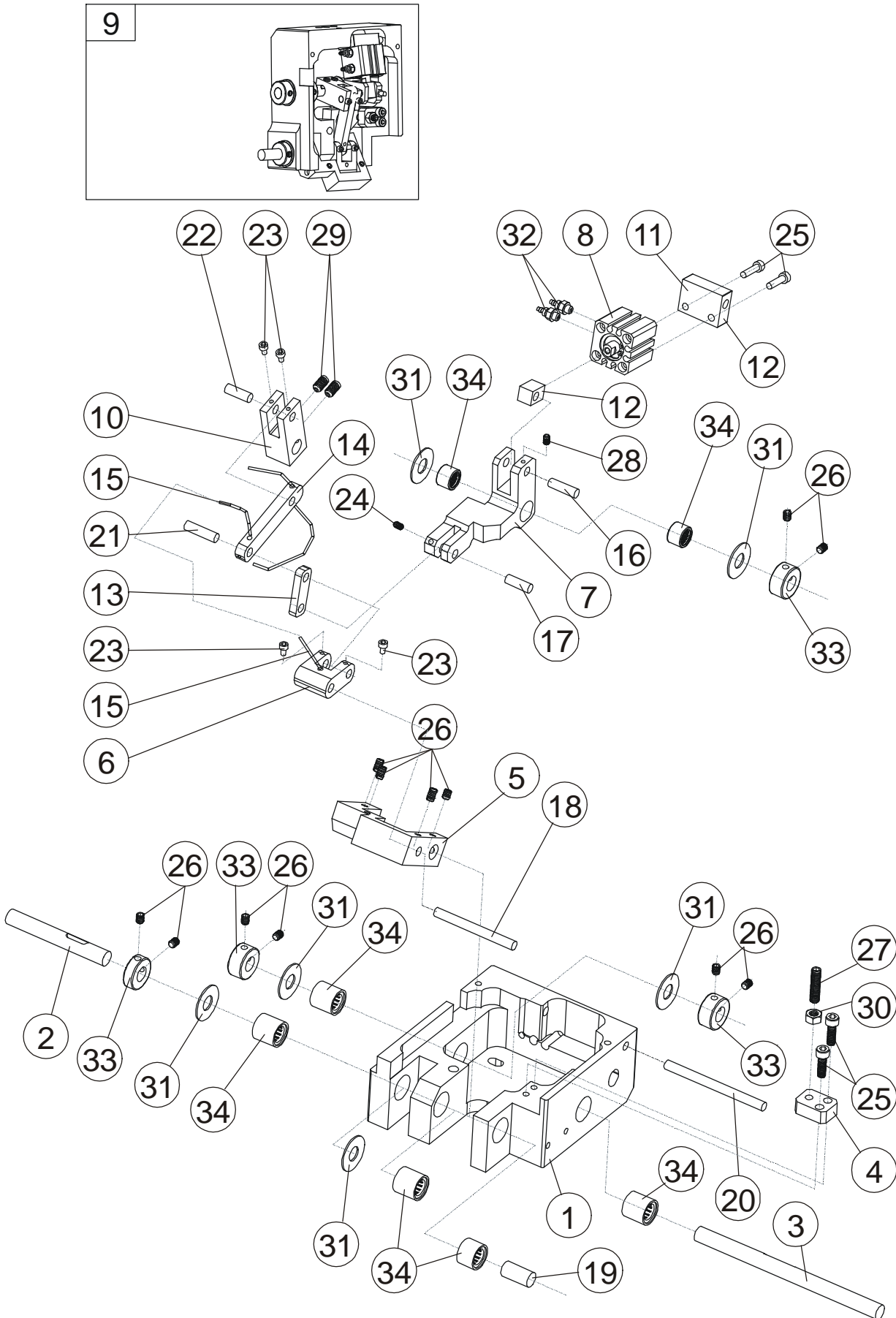




**WOOD PANEL**

DET	PART NUMBER	DESCRIPTION	QTY
1	68.0014.0.060	Wood Table (Part 1)	1
2	68.0014.0.061	Wood Table (Part 2)	1
3	68.0014.0.062	Wood Table (Part 3)	1
4	09.0415.0.003	Screw M4x15 Counterbore Inbus	21

# CENTER KNIFE SECTION

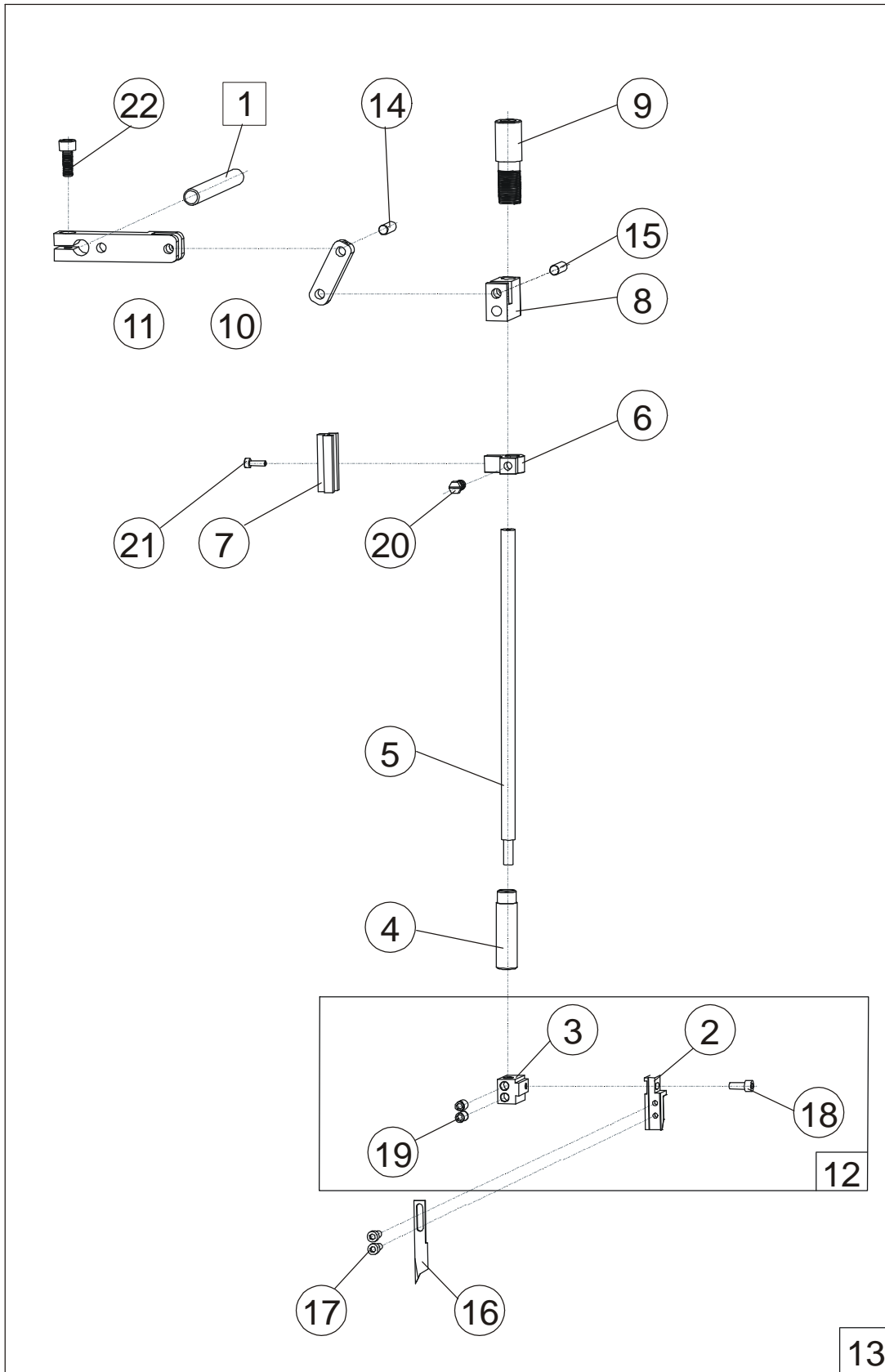


Revised 10/2006

## CENTER KNIFE SECTION

DET	PART NUMBER	DESCRIPTION	QTY
1	68.0015.0.001	Main Body	1
2	68.0015.0.002	Pin	1
3	68.0015.0.003	Pin	1
4	68.0015.0.004	Fixed Foot	1
5	68.0015.0.005	Outside Arm	1
6	68.0015.0.006	Moving Arm	1
7	68.0015.0.007	Trigger Arm	1
8	68.0015.0.008	Piston Short $\varnothing$ 16 S10	1
9	68.0015.0.010	Puller Unit	1
10	68.0015.0.011	Moving Arm	1
11	68.0015.0.012	Piston Plate	1
12	68.0015.0.013	Square Part	1
13	68.0015.0.014	Stretching Arm	1
14	68.0015.0.015	Movement Change arm (Inside)	1
15	68.0015.0.016	Wick	1
16	68.0015.0.017	Pin	1
17	68.0015.0.018	Pin	1
18	68.0015.0.019	Pin	1
19	68.0015.0.020	Pin	1
20	68.0015.0.021	Pin	1
21	68.0015.0.022	Pin	1
22	68.0015.0.023	Pin	1
23	09.0308.0.001	Screw M3x8 Inbus	4
24	09.0310.0.001	Screw M3x10 Inbus	1
25	09.0415.0.001	Screw M4x15 Inbus	4
26	09.0506.0.002	Screw M5x6 Setiskur	12
27	09.0625.0.002	Screw M6x25 Setiskur	1
28	09.0406.0.002	Screw M4x6 Setiskur	1
29	09.0610.0.002	Screw M6x10 Setiskur	2
30	09.0006.0.010	Nut M6	1
31	09.0000.0.011	Rainel Washer	6
32	09.0524.0.021	Fitting M5 2/4	2
33	09.0000.0.022	Bush	4
34	09.0000.0.023	Ball Bearing	7

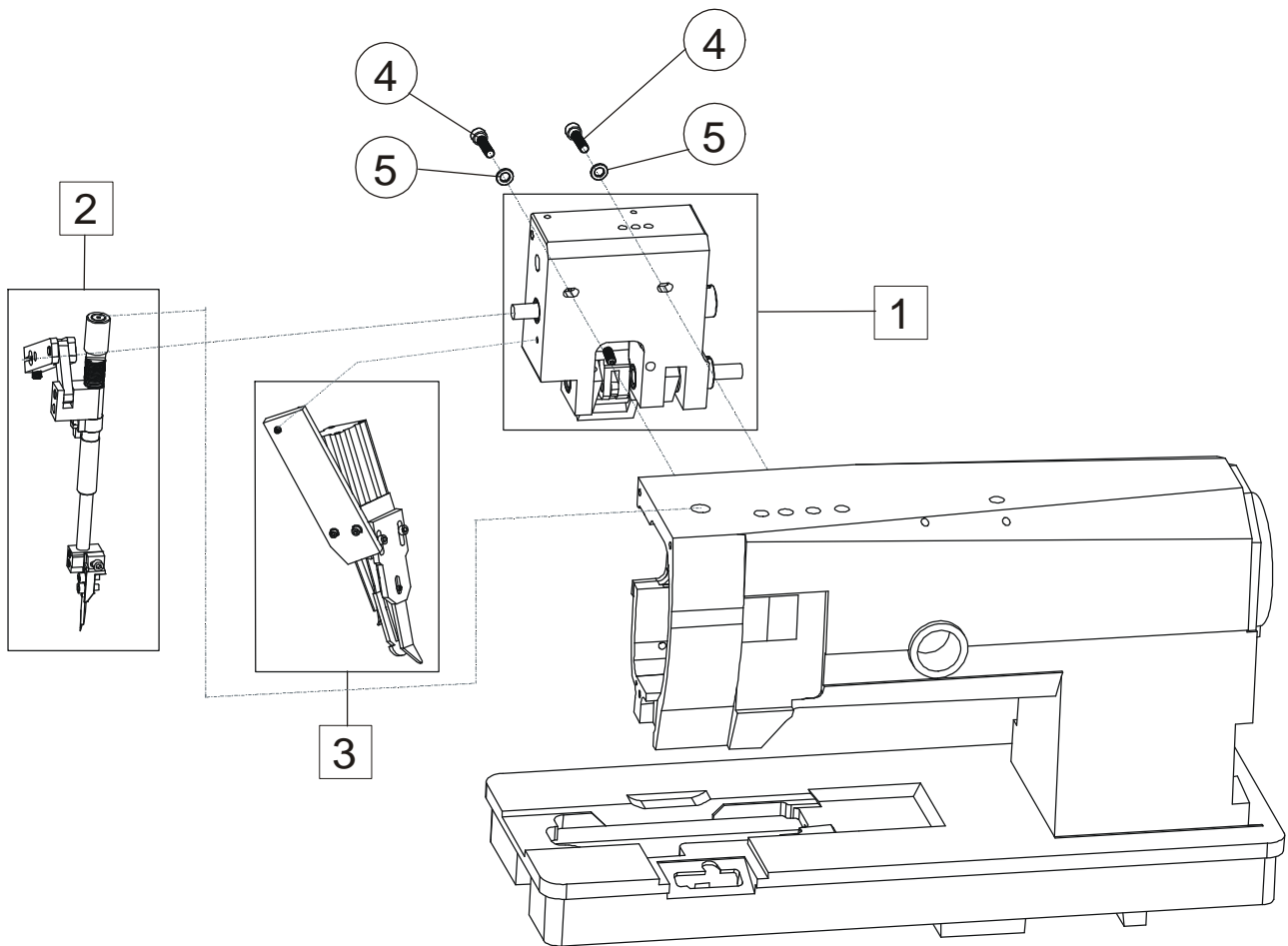
# CENTER KNIFE SECTION



**CENTER KNIFE SECTION**

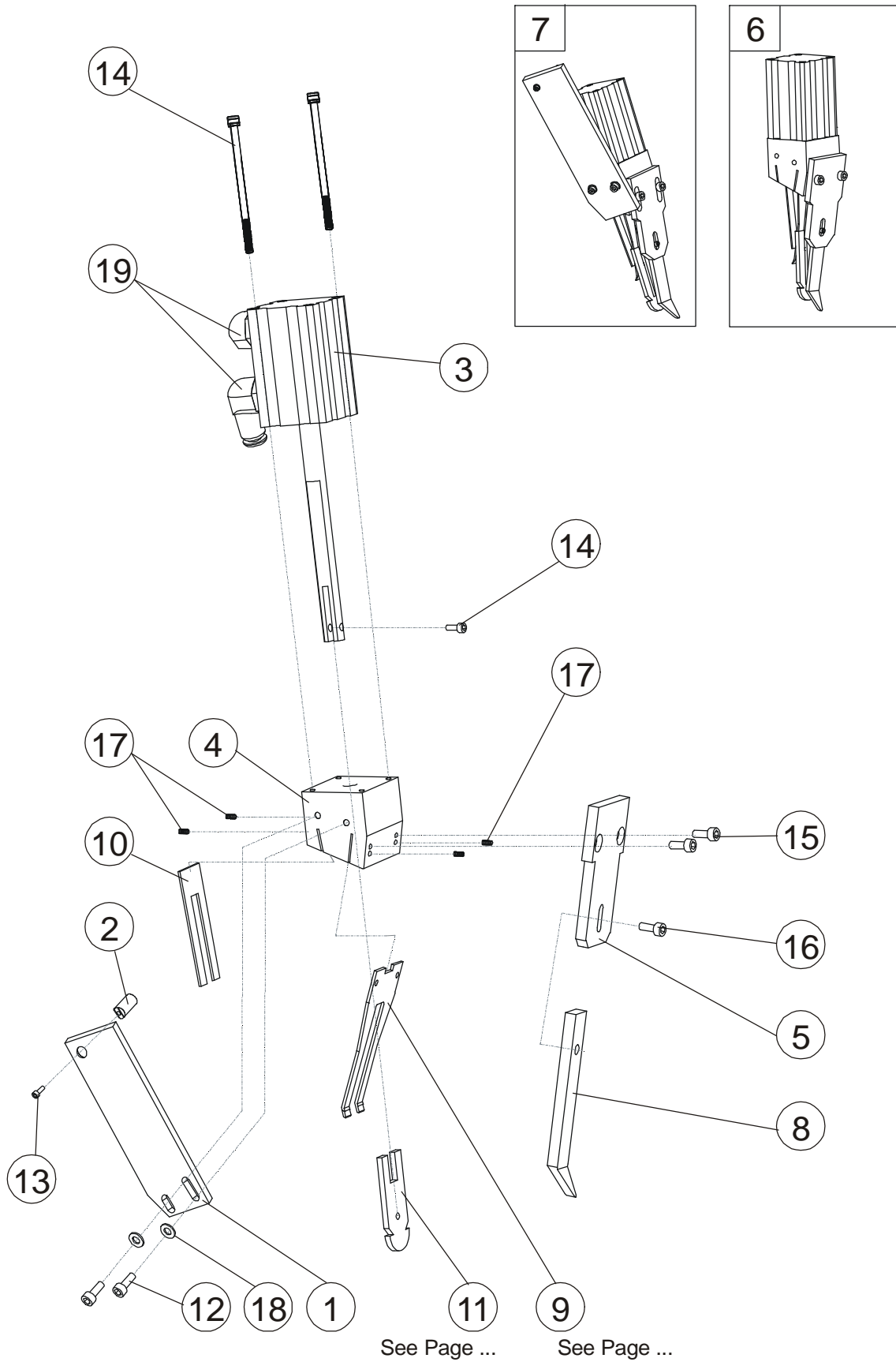
DET	PART NUMBER	DESCRIPTION	QTY
1	68.0015.0.003	Pin	1
2	68.0016.0.002	Center Knife Clamp	1
3	68.0016.0.003	Knife Holder	1
4	68.0016.0.004	Bush	1
5	68.0016.0.005	Pin	1
6	68.0016.0.006	Guide	1
7	68.0016.0.007	Guide Path	1
8	68.0016.0.008	Moving Arm	1
9	68.0016.0.009	Bush	1
10	68.0016.0.010	Inside Joint / Drive Link	1
11	68.0016.0.011	Moving Arm	1
12	68.0016.0.012	Center Knife Connection Unit	1
13	68.0016.0.013	Complete Center Knife Unit	1
14	68.0016.0.014	Pin	1
15	68.0016.0.015	Pin	1
16	68.0052.0.000	Center Knife	1
17	09.0408.0.001	Screw M4x8 Inbus	2
18	09.0412.0.001	Screw M4x12 Inbus	1
19	09.0608.0.002	Screw M6x8 Setiskur	2
20	09.0608.0.033	Screw SM 6.75	1
21	09.0000.0.001	Screw M0x0 Inbus	1
22	09.0612.0.001	Screw M6x12 Inbus	1

## CENTER KNIFE SECTION





# TOP THREAD TRIMMER SECTION

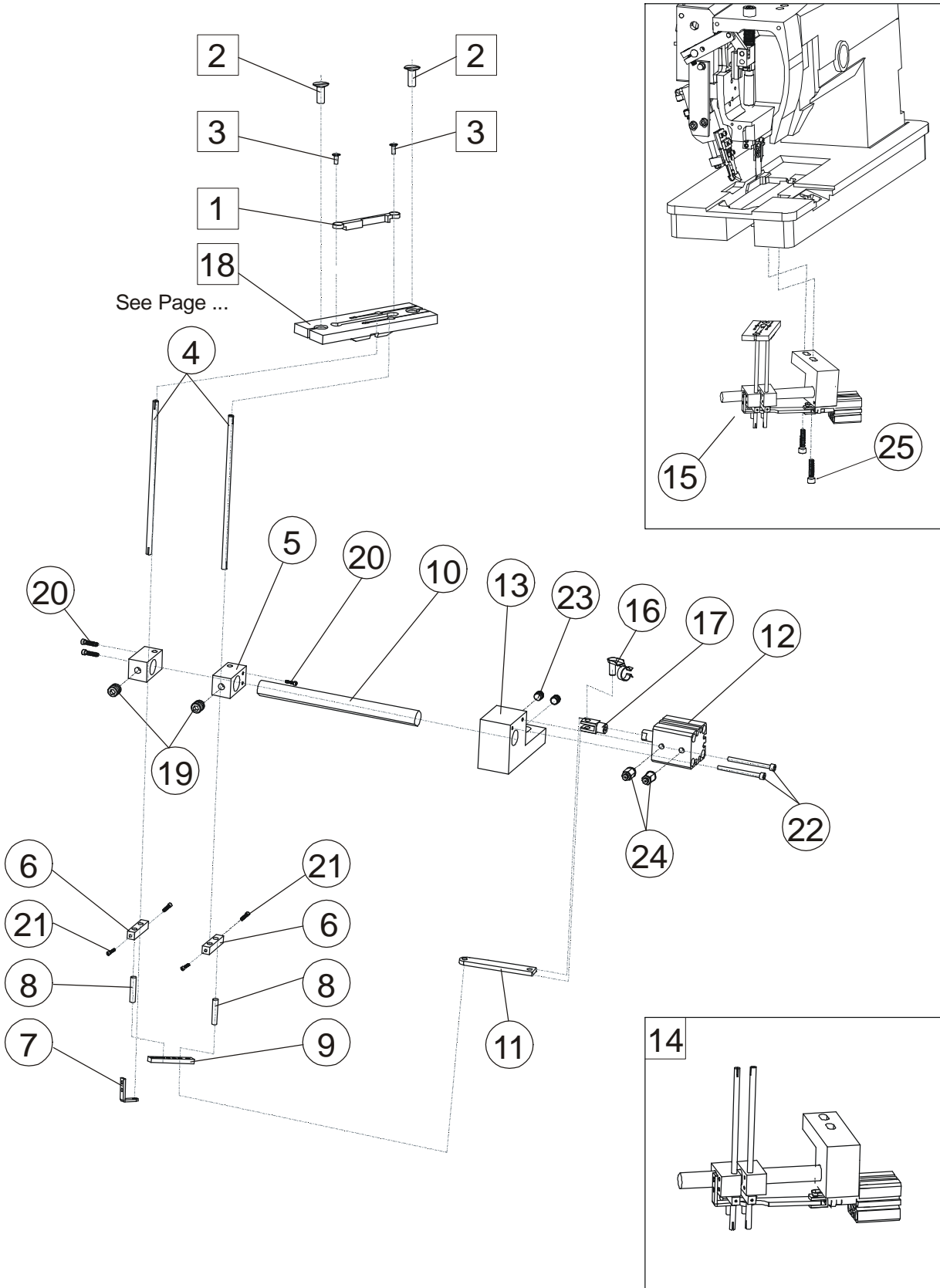




**TOP THREAD TRIMMER SECTION**

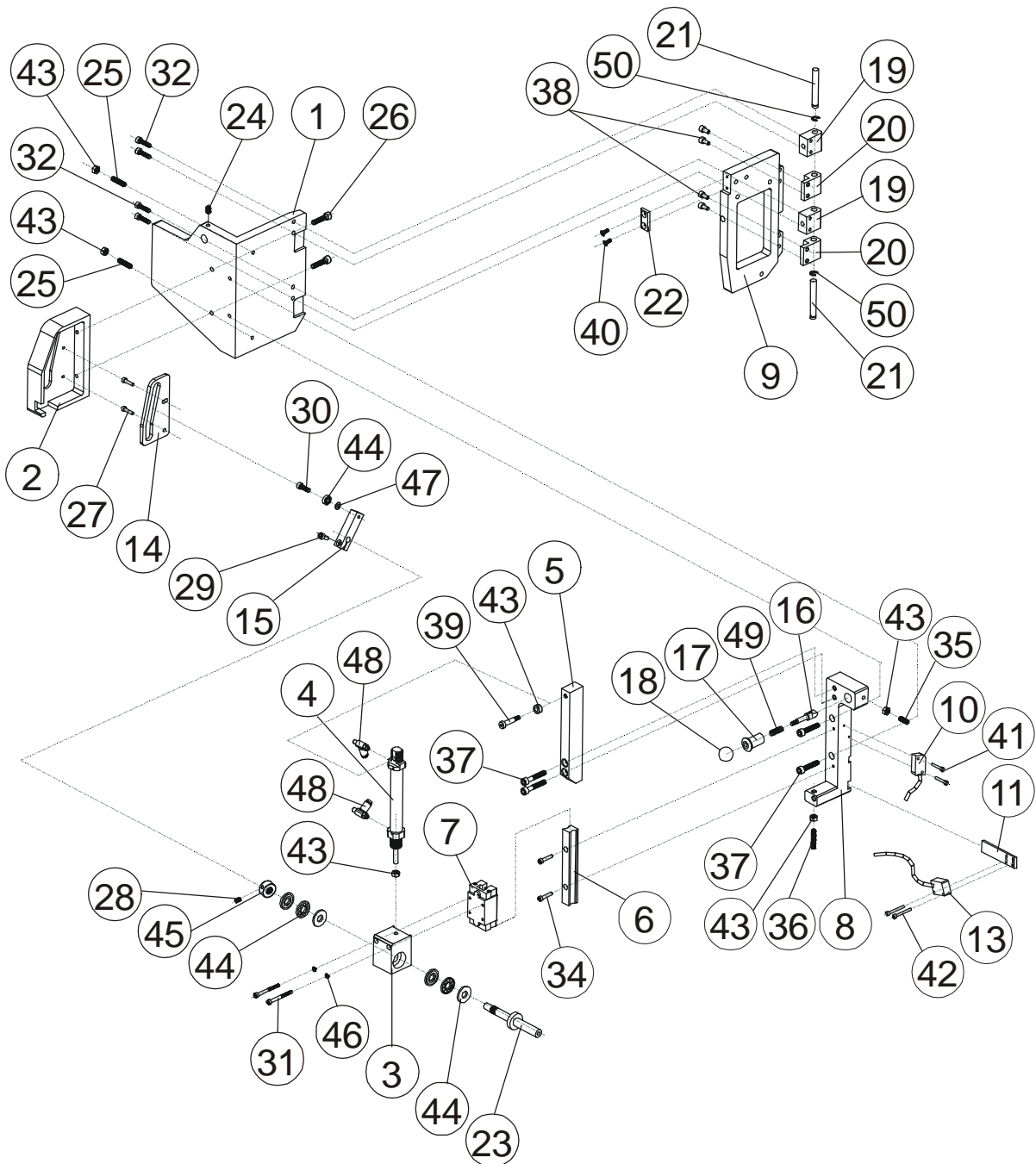
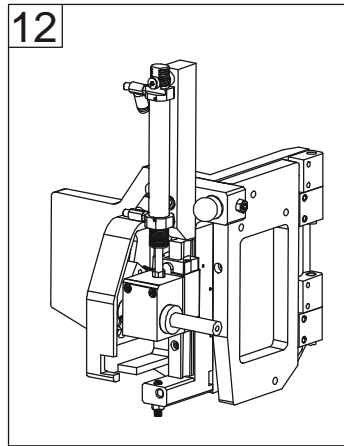
DET	PART NUMBER	DESCRIPTION	QTY
1	68.0017.0.012	Connection Part	1
2	68.0017.0.013	Tie To Puller	1
3	68.0017.0.060	Piston 16x30 Special	1
4	68.0017.0.061	Top Thread Trimmer Body	1
5	68.0017.0.062	Knife Guard Part 1	1
6	68.0017.0.066	Top Thread Trimmer Unit	1
7	68.0017.0.067	Comple Unit of Thread Trimmer Section	1
8	68.0017.0.068	Knife Guard Part 2	1
9	68.0048.0.0XX	Outside Knife (See Page 18)	1
10	68.0049.0.0XX	Top Thread Trimmer (See Page 18)	1
11	68.0050.0.0XX	Inside Knife (See Page 18)	1
12	09.0515.0.001	Screw M5x15 Inbus	2
13	09.0612.0.001	Screw 6x12 Inbus	1
14	09.0350.0.001	Screw 3x50 Inbus	5
15	09.0412.0.001	Screw 4x12 Inbus	2
16	09.0405.0.001	Screw 4x5 Inbus	1
17	09.0406.0.002	Screw 4x6 Setiskur	4
18	09.0005.0.011	Washer ø5	2
19	09.0005.0.020	Record M5 Miniature L Fittings	1
20	09.0005.0.020	Record M5 L Fittings	1

# UNDER THREAD TRIMMER SECTION





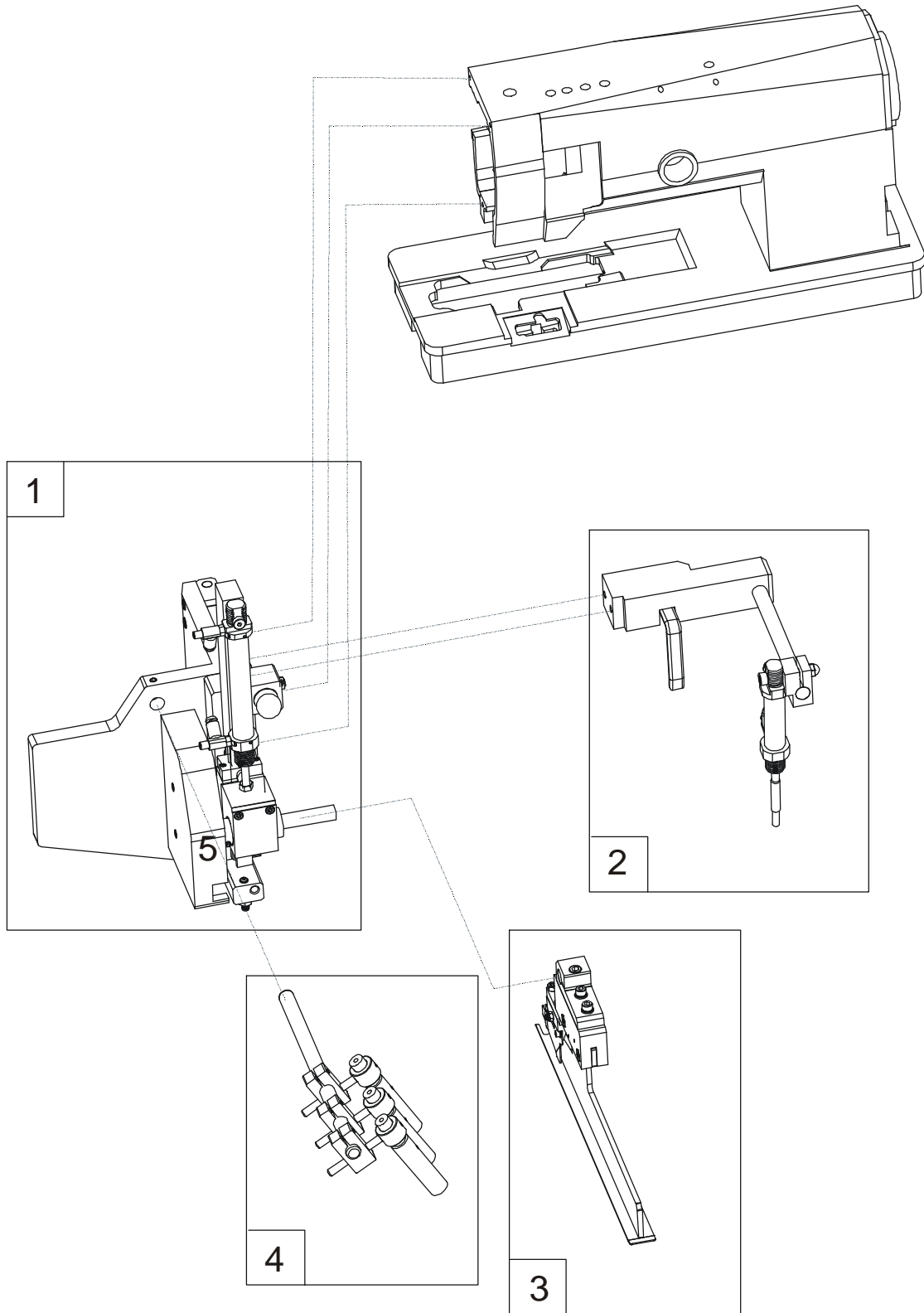
# FRONT OF HEAD SECTION



**FRONT OF HEAD SECTION**

DET	PART NUMBER	DESCRIPTION	QTY
1	68.0019.0.001	Outside Flap	1
2	68.0019.0.002	Plate	1
3	68.0019.0.003	Holder	1
4	68.0019.0.004	Piston ø16 S65	1
5	68.0019.0.005	Support Arm	1
6	68.0019.0.006	Rail	1
7	68.0019.0.007	Linear Rail Carriage	1
8	68.0019.0.008	Linear Rail	1
9	68.0019.0.009	Inside Body	1
10	68.0019.0.017	Flap Sensor	1
11	68.0019.0.018	Flap Photocell Plate	1
12	68.0019.0.021	Front Of Section	1
13	68.0019.0.024	Flap Photocell (OMRON)	1
14	68.0019.0.030	Clamp	1
15	68.0019.0.031	Clamp	1
16	68.0019.0.032	Pin	1
17	68.0019.0.033	Clamp Body	1
18	68.0019.0.034	Clamp Ball	1
19	68.0019.0.035	Hinge A	2
20	68.0019.0.036	Hinge B	2
21	68.0019.0.037	Pin	2
22	68.0019.0.038	Clamp Part	1
23	68.0019.0.039	Pin	1
24	09.0612.0.002	Screw M6x12 Setiskur	1
25	09.0625.0.002	Screw M6x25 Setiskur	2
26	09.0620.0.001	Screw M6x20 Inbus	2
27	09.0415.0.001	Screw M4x15 Inbus	2
28	09.0508.0.002	Screw M5x8 Setiskur	1
29	09.0512.0.001	Screw M5x21 Inbus	1
30	09.0515.0.001	Screw M5x15 Inbus	1
31	09.0445.0.001	Screw M4x45 Inbus	2
32	09.0520.0.001	Screw M5x20 Inbus	1
33	09.0630.0.001	Screw M6x30 Inbus	2
34	09.0425.0.001	Screw M4x25 Inbus	2
35	09.0615.0.002	Screw M6x15 Setiskur	1
36	09.0630.0.002	Screw M6x30 Setiskur	1
37	09.0630.0.001	Screw M6x30 Inbus	2
38	09.0510.0.001	Screw M5x10 Inbus	4
39	09.0520.0.001	Screw M5x20 Inbus	4
40	09.0410.0.001	Screw M4x10 Inbus	2
41	09.0315.0.001	Screw M3x15 Inbus	2
42	09.0215.0.001	Screw M2x15 Inbus	2
43	09.0006.0.010	Nut M6	6
44	09.0000.0.023	Ball Bearing	7
45	09.0000.0.022	Bush	1
46	09.0004.0.011	Washer ø4	2
47	09.0005.0.011	Washer ø 5	1
48	09.0524.0.020	Record M5 - 2/4 Valf	2
49	09.0000.0.024	Spring	1
50	09.0000.0.025	Segment	2

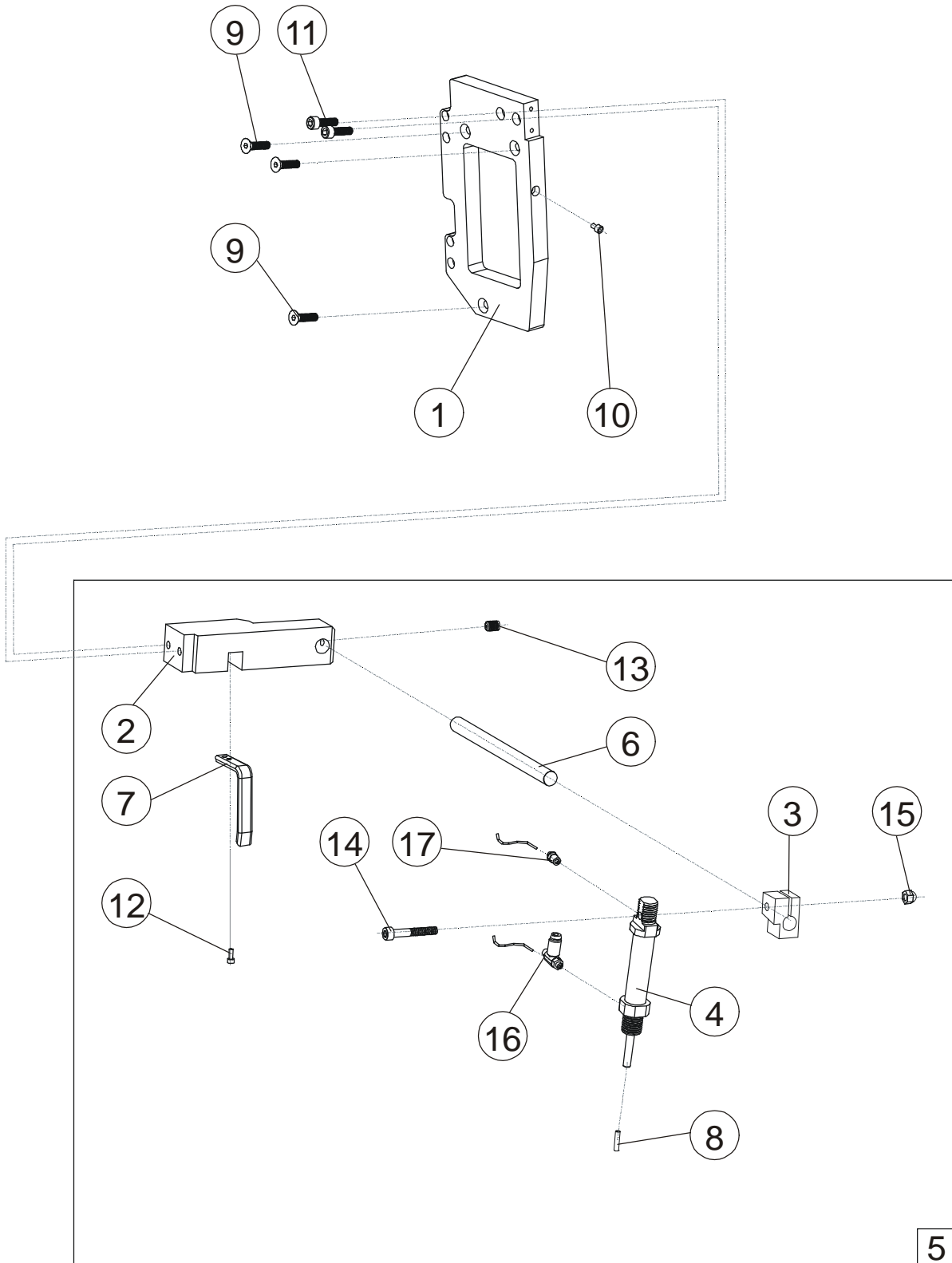
## FRONT OF HEAD SECTION



**FRONT OF HEAD SECTION**

DET	PART NUMBER	DESCRIPTION	QTY
1	68.0019.0.021	Front of Section Unit	1
2	68.0019.0.022	Part Strecher Unit	1
3	68.0019.0.023	Patch Guide Section Unit	1
4	38.0020.0.002	3 Piece Lazer Complet Unit	1

# DART STRETCHER

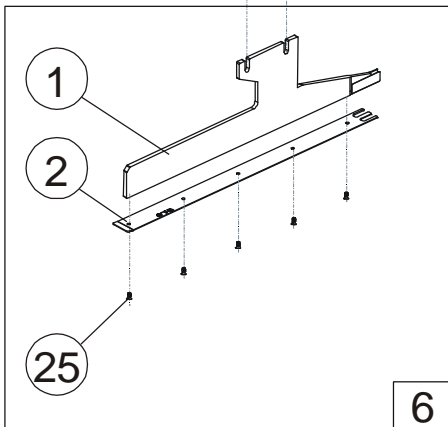
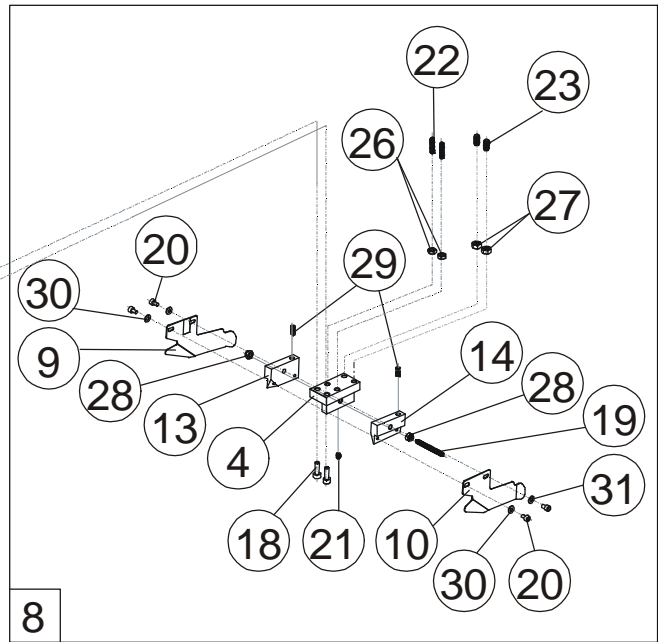
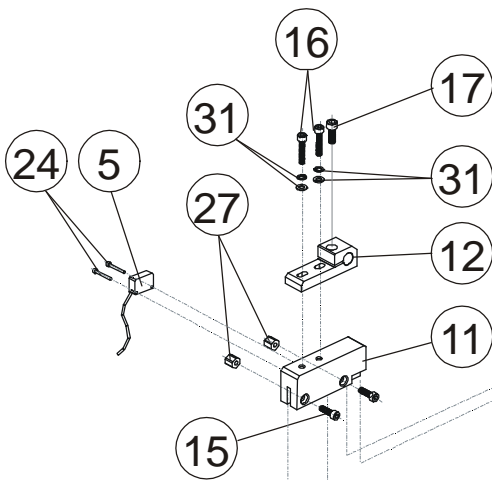
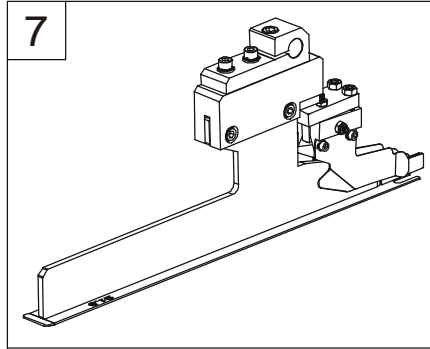




## DART STRETCHER

DET	PART NUMBER	DESCRIPTION	QTY
1	68.0019.0.009	Inside Flap	1
2	68.0019.0.010	Connection Part	1
3	68.0019.0.011	Piston Connection Part	1
4	68.0019.0.012	Piston ø16 S80 5pecial	1
5	68.0019.0.022	Part Strecher Unit	1
6	68.0019.0.039	Pin	1
7	68.0019.0.040	Cover	1
8	68.0019.0.070	Stretcher Part	1
9	09.0630.0.003	Screw M6x30 Counterbore Inbus	3
10	09.0510.0.001	Screw M5x10 Inbus	1
11	09.0625.0.001	Screw M6x25 Inbus	2
12	09.0408.0.001	Screw M4x8 Inbus	1
13	09.0612.0.002	Screw M6x12 Setiskur	1
14	09.0640.0.001	Screw 6x40 Inbus	1
15	09.0006.0.010	Nut M6 Stopper	1
16	09.0524.0.021	Fitting MS Speed Control 2/4	1
17	09.0524.0.021	Fitting M5 2/4	1

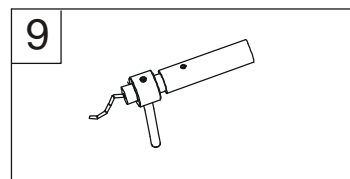
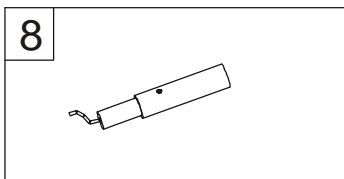
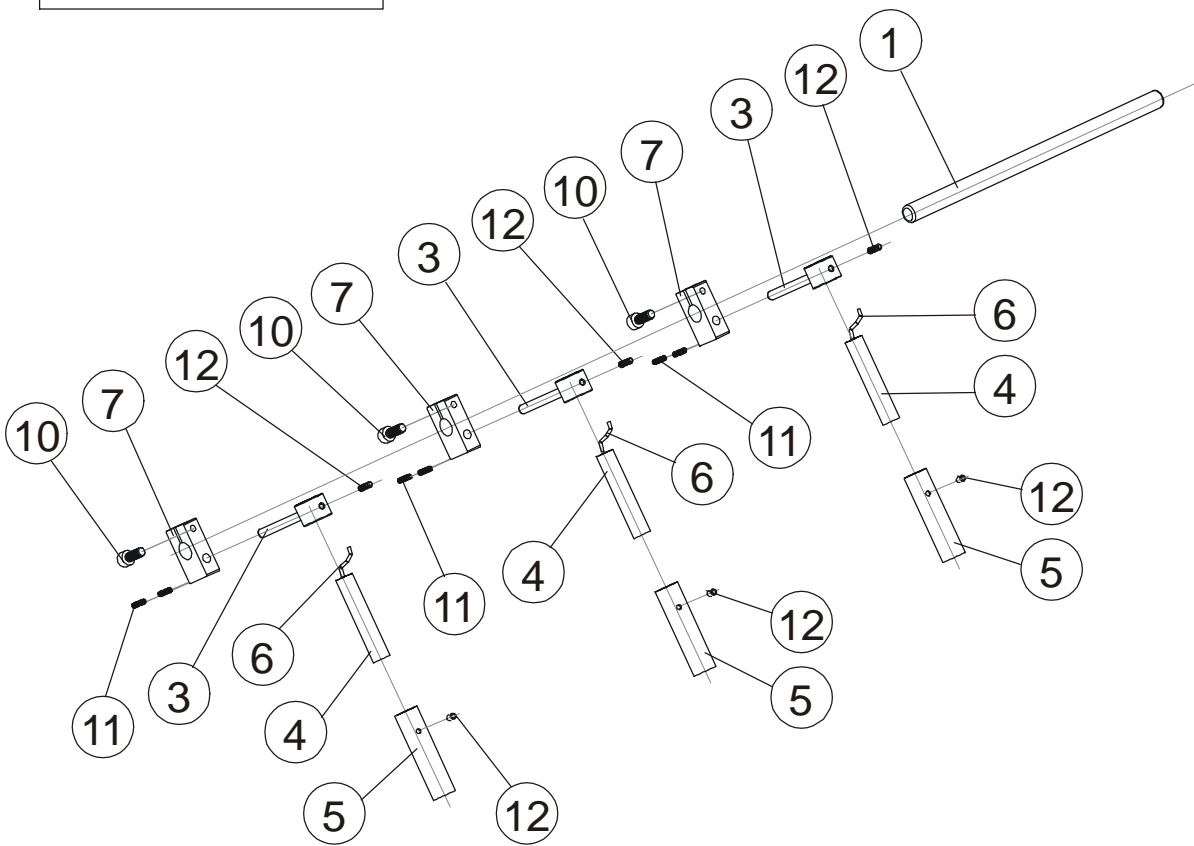
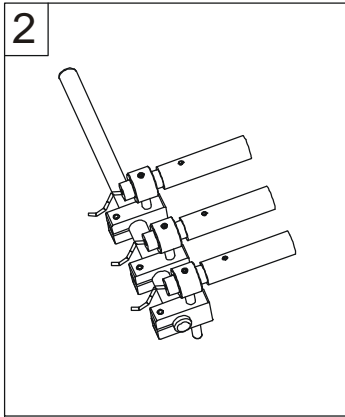
# PATCH GUIDE SECTION



**PATCH GUIDE SECTION**

DET	PART NUMBER	DESCRIPTION	QTY
1	68.0019.0.018	Patch Guide	1
2	68.0019.0.019	Metal Sheet Double Welt	1
3	68.0019.0.014	Connecting Part	1
4	68.0019.0.015	Patch Guide Holder	1
5	68.0019.0.016	Double Single Sensor	1
6	68.0019.0.020	Aparatus	1
7	68.0019.0.023	Patch Guide Section	1
8	68.0019.0.025	Holder of Aparatus	1
9	68.0019.0.060L	Slide Plate (Left)	1
10	68.0019.0.060R	Slide Plate (Right)	1
11	68.0019.0.061	Connecting Part	1
12	68.0019.0.041	Foot Support Joint	1
13	68.0019.0.042L	Holder(Left)	1
14	68.0019.0.042R	Holder(Right)	1
15	09.0515.0.001	Screw M5x15 Inbus	2
16	09.0525.0.001	Screw M5x25 Inbus	2
17	09.0615.0.001	Screw M6x15 Inbus	1
18	09.0415.0.001	Screw M4x15 Inbus	2
19	09.0435.0.002	Screw M4x35 Setiskur	1
20	09.0306.0.001	Screw M3x6 Inbus	4
21	09.0305.0.002	Screw M3x5 Setiskur	1
22	09.0412.0.002	Screw M4x12 Setiskur	2
23	09.0510.0.002	Screw M5x10 Setiskur	2
24	09.0315.0.001	Screw M3x15 Inbus	2
25	09.2510.0.033	Screw M2,5X10	5
26	09.0005.0.010	Nut M5	2
27	09.0005.0.012	Nut M5 Special	4
28	09.0004.0.010	Nut M4	4
29	09.0000.0.024	Spring	2
30	09.0003.0.011	Washer ø3	4
31	09.0005.0.011	Washer ø5	4

# LASER SECTION

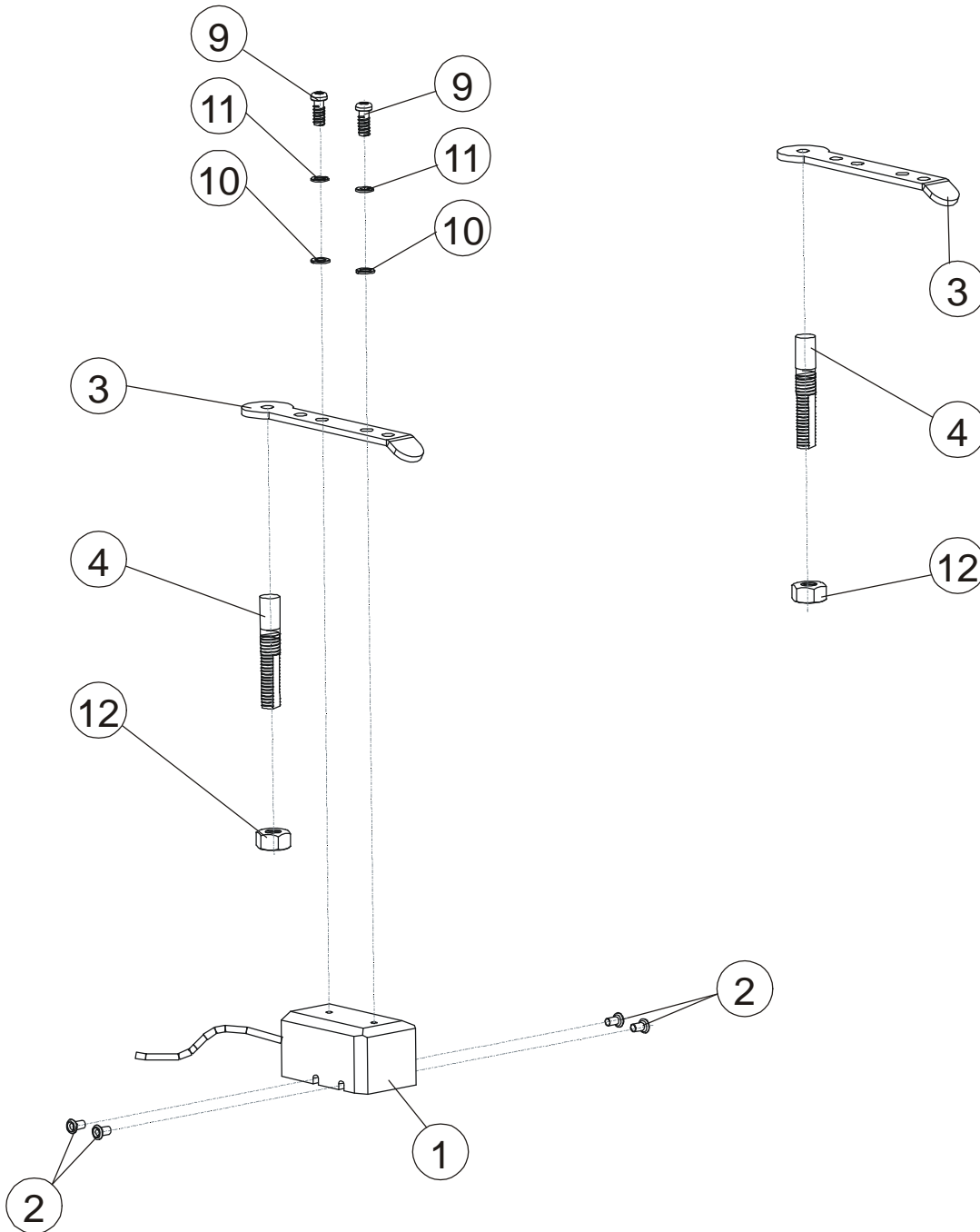
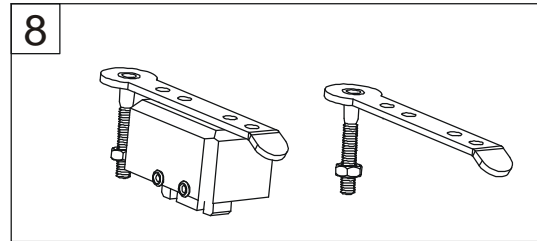
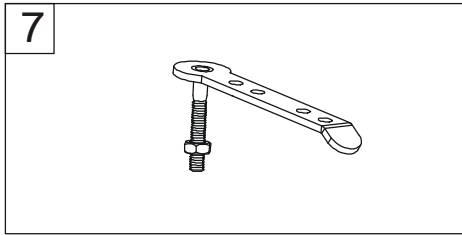


## LASER SECTION

---

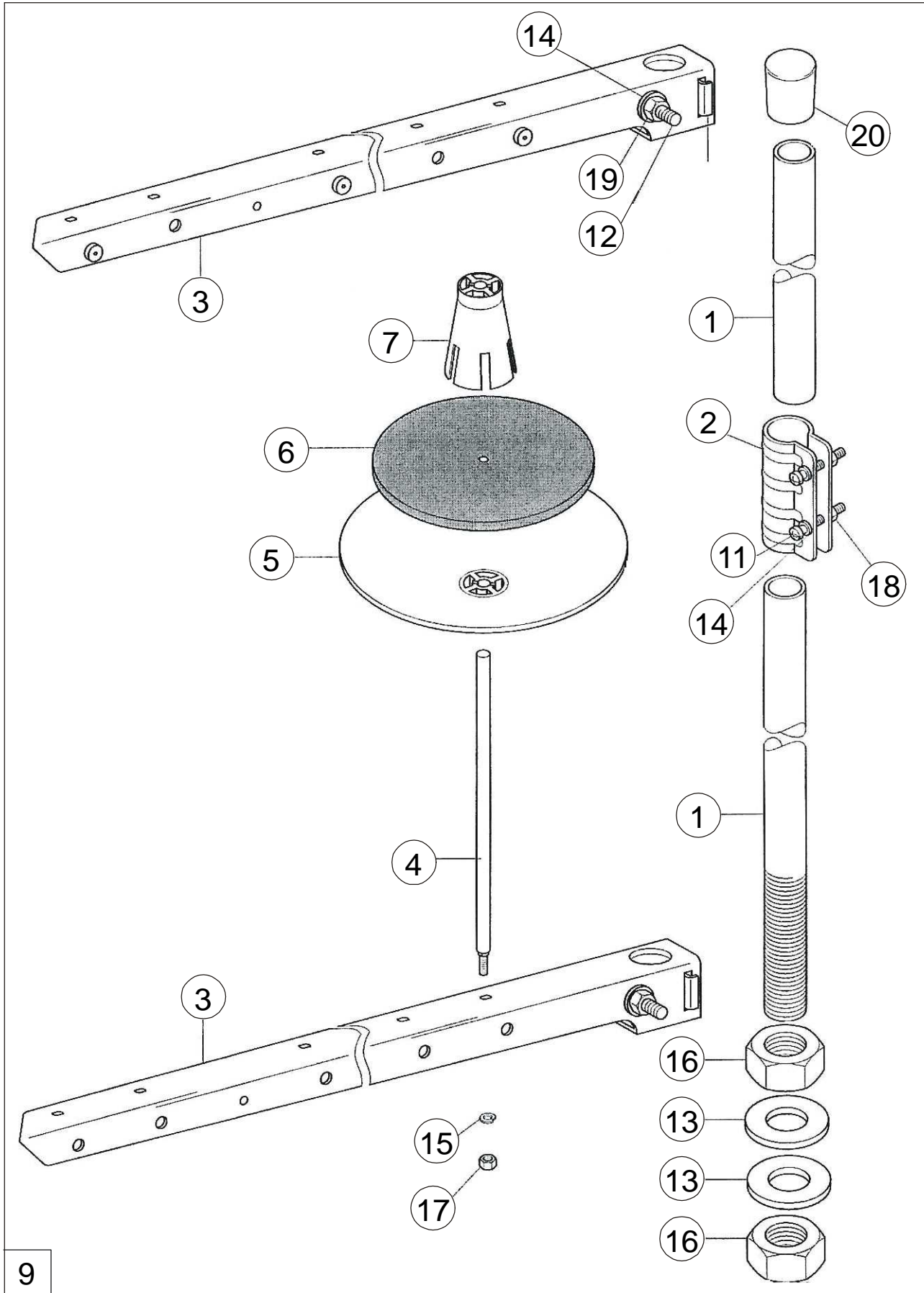
DET	PART NUMBER	DESCRIPTION	QTY
1	68.0020.0.001	Pin	1
2	68.0020.0.002	3 Piece Lazer Complet Unit	1
3	68.0020.0.003	Laser Connection Part	3
4	68.0020.0.004	Laser Point	3
5	68.0020.0.005	Lens	3
6	68.0020.0.006	Laser cable	3
7	68.0020.0.007	Main Clamp	3
8	68.0020.0.009	Lazer Lamp Unit	3
9	68.0020.0.010	Holder and Lazer Lamp Unit	3
10	09.0515.0.001	Screw M5x15 Inbus	3
11	09.0408.0.002	Screw M4x8 Setiskur	6
12	09.0404.0.002	Screw M4x4 Setiskur	6

# THREAD MONITOR





# REEL STANDS



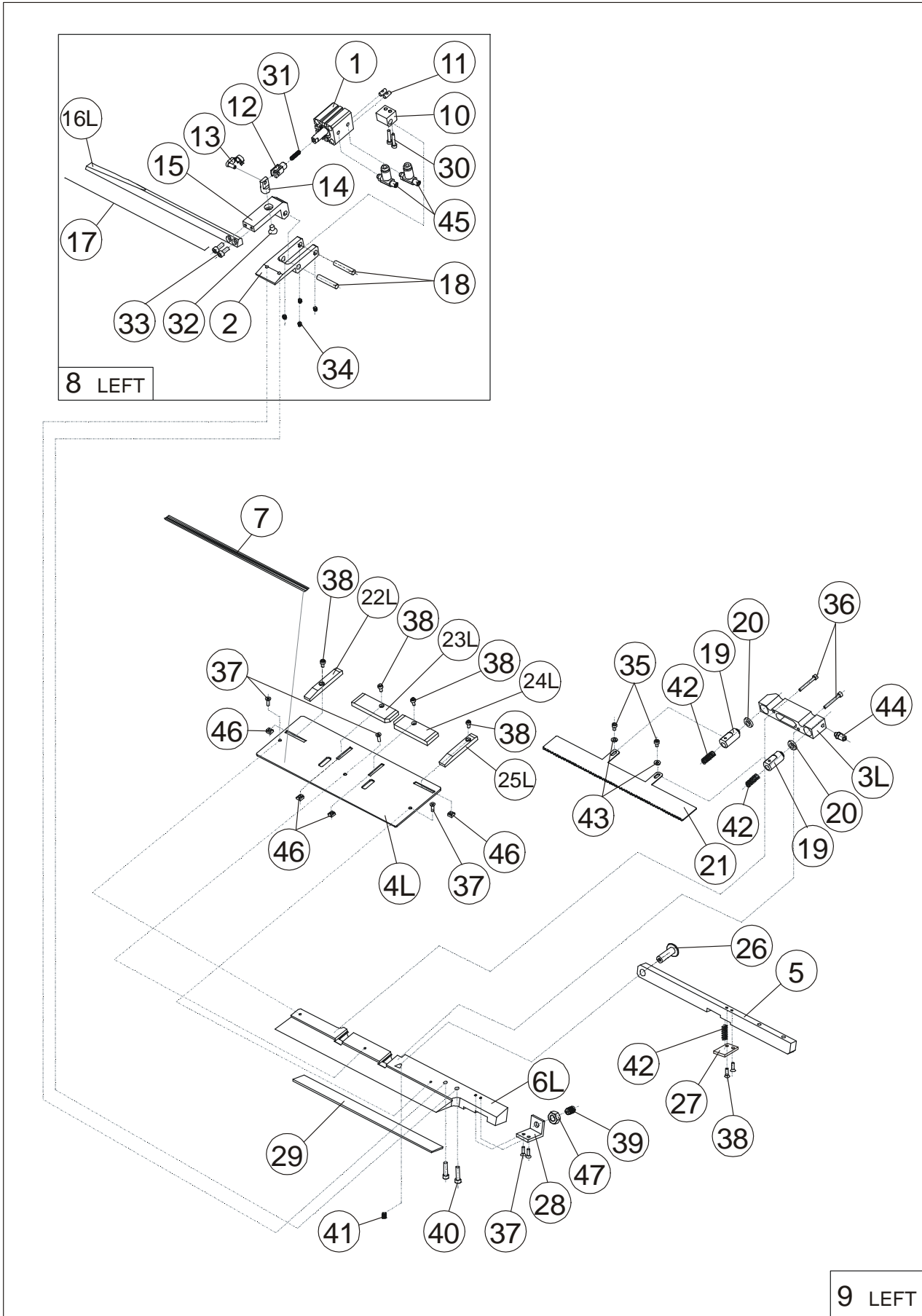
9



**REEL STANDS**

DET	PART NUMBER	DESCRIPTION	QTY
1	68.0023.0.001	Tube	1
2	68.0023.0.002	Connective Part	1
3	68.0023.0.003	Thread Arm	2
4	68.0023.0.004	Axle	3
5	68.0023.0.005	Pad	3
6	68.0023.0.006	Pad	3
7	68.0023.0.007	Plastic	3
8	68.0023.0.008	Tube	1
9	68.0023.0.009	Reel Stands	1
10	68.0023.0.010	Connective Part	2
11	09.0520.0.001	Screw M5.5x20	2
12	09.0595.0.033	Screw SM 5.95	2
13	09.0020.0.011	Washer ø20	2
14	09.0000.0.026	Spangle	2
15	09.0005.0.026	Spangle ø5	3
16	09.0476.0.010	Nut SM 4.76	2
17	09.0005.0.010	Nut M5	3
18	09.0055.0.010	Nut M5.5	2
19	09.0006.0.010	Nut M6	2
20	68.0023.0.011	Plastic Cover	1

# CLAMP SECTIONS

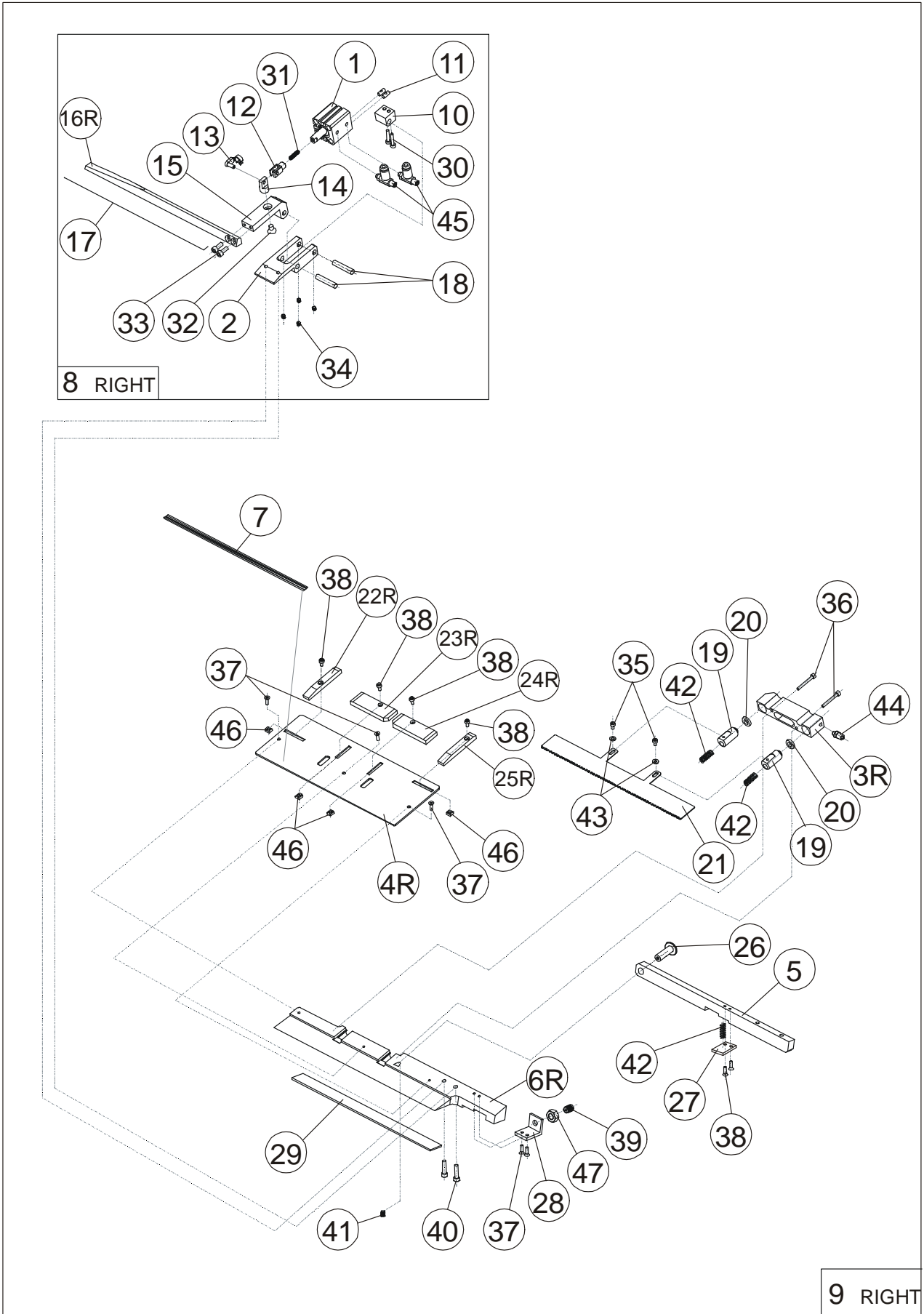


9 LEFT

## CLAMP SECTIONS

DET	PART NUMBER	DESCRIPTION	QTY
1	68.0024.0.001	Piston Short ø16 S15	1
2	68.0024.0.002	Plate	1
3	68.0024.0.003L	Grammer Piston (Left)	1
4	68.0024.0.004L	Flap Plate	1
5	68.0024.0.005	Clamp Arm	1
6	68.0024.0.006L	Clamp(Left)	1
7	68.0024.0.007	Reflector for Flap Photocell	1
8	68.0024.0.008L	Left Flap Clamp Unit	1
9	68.0024.0.009L	Left Clamp Sectron	1
10	68.0024.0.040	Holder	1
11	68.0024.0.041	Nut Pin	2
12	68.0024.0.043	Piston Joint	1
13	68.0024.0.044	Clips	1
14	68.0024.0.045	Drive Link	1
15	68.0024.0.046	Moving Arm	1
16	68.0024.0.047L	Clamp (Left)	1
17	68.0024.0.048	Rubber Strip	1
18	68.0024.0.049	Pin	2
19	68.0024.0.050	Pin	2
20	68.0024.0.051	Felt	2
21	68.0024.0.052	Workholder Bar	1
22	68.0024.0.053L	Flap Size Adjustment Part A	1
23	68.0024.0.054L	Flap Size Adjustment Part B	1
24	68.0024.0.055L	Flap Size Adjustment Part C	1
25	68.0024.0.056L	Flap Size Adjustment Part D	1
26	68.0024.0.057	Bolt	1
27	68.0024.0.058	Cover Plate	1
28	68.0024.0.059	Bracket	1
29	68.0024.0.060	Rubber Strip	1
30	09.0315.0.001	Screw M3x15 Inbus	2
31	09.0415.0.002	Screw M4x15 Setiskur	1
32	09.0510.0.001	Screw M5x10 Inbus	1
33	09.0412.0.001	Screw M4x12 Inbus	2
34	09.0404.0.002	Screw M4x4 Setiskur	4
35	09.0305.0.001	Screw M3x5 Inbus	2
36	09.0325.0.001	Screw M3x25 Inbus	2
37	09.0310.0.001	Screw M3x10 Inbus	5
38	09.0308.0.001	Screw M3x8 Inbus	6
39	09.0812.0.002	Screw M8x12 Setiskur	1
40	09.0415.0.001	Screw M4x15 Inbus	2
41	09.0506.0.001	Screw M5x6 Setiskur	1
42	09.0000.0.026	Spring	3
43	09.0003.0.011	Washer ø3	2
44	09.0324.0.021	Fitting M3 2/4	1
45	09.0524.0.021	Fitting Speed Control M5 2/4	2
46	09.0003.0.010	Nut M3	1
47	09.0008.0.010	Nut M8	1

# CLAMP SECTIONS



9 RIGHT

## CLAMP SECTIONS

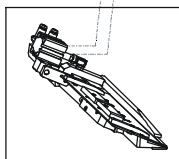
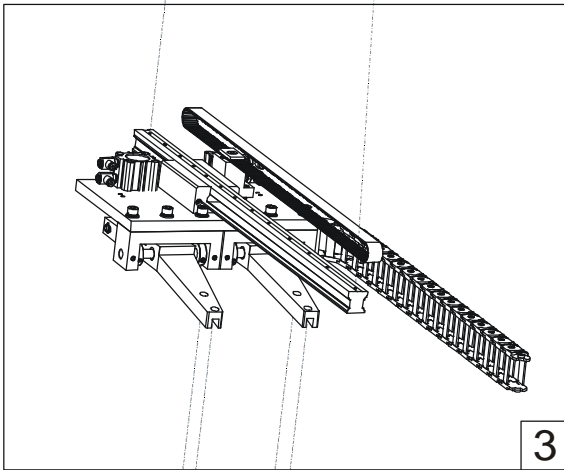
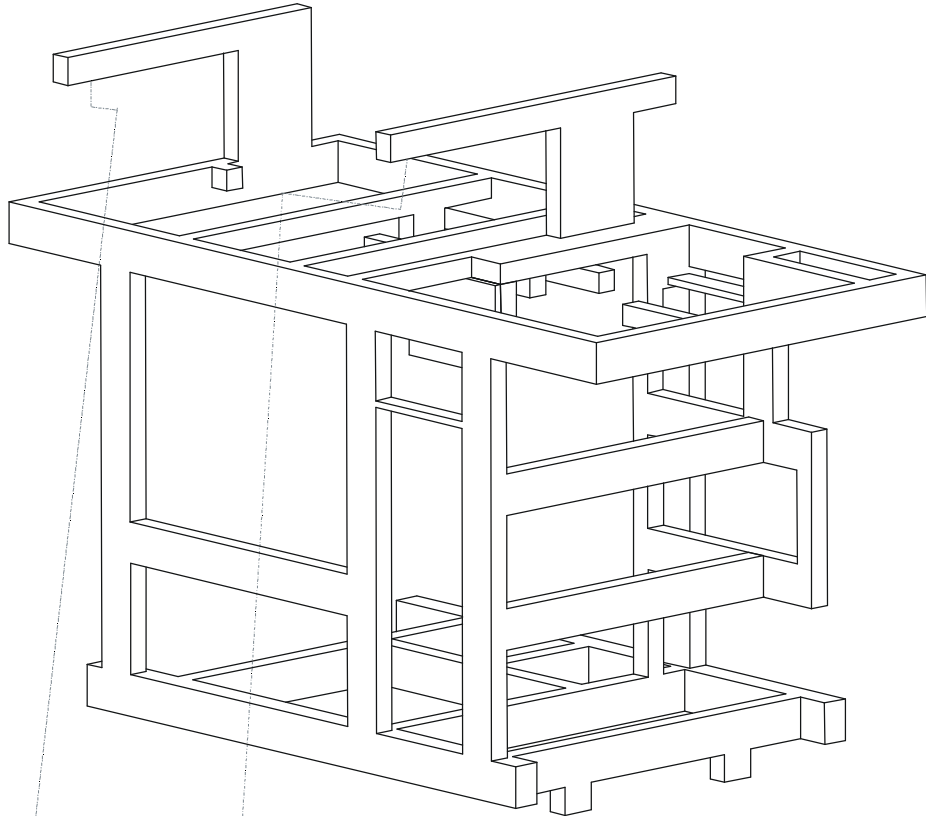
DET	PART NUMBER	DESCRIPTION	QTY
1	68.0024.0.001	Piston Short ø16 S15	1
2	68.0024.0.002	Plate	1
3	68.0024.0.003R	Grammer Piston (Left)	1
4	68.0024.0.004R	Flap Plate	1
5	68.0024.0.005	Clamp Arm	1
6	68.0024.0.006R	Clamp(Left)	1
7	68.0024.0.007	Reflector for Flap Photocell	1
8	68.0024.0.008R	Right Flap Clamp Unit	1
9	68.0024.0.009R	Right Clamp Section	1
10	68.0024.0.040	Holder	1
11	68.0024.0.041	Nut Pin	2
12	68.0024.0.043	Piston Joint	1
13	68.0024.0.044	Clips	1
14	68.0024.0.045	Drive Link	1
15	68.0024.0.046	Moving Arm	1
16	68.0024.0.047R	Clamp (Left)	1
17	68.0024.0.048	Rubber Strip	1
18	68.0024.0.049	Pin	2
19	68.0024.0.050	Pin	2
20	68.0024.0.051	Felt	2
21	68.0024.0.052	Workholder Bar	1
22	68.0024.0.053R	Flap Size Adjustment Part A	1
23	68.0024.0.054R	Flap Size Adjustment Part B	1
24	68.0024.0.055R	Flap size Adjustment Part C	1
25	68.0024.0.056R	Flap size Adjustment Part D	1
26	68.0024.0.057	Bolt	1
27	68.0024.0.058	Cover Plate	1
28	68.0024.0.059	Bracket	1
29	68.0024.0.060	Rubber Strip	1
30	09.0315.0.001	Screw M3x15 Inbus	2
31	09.0415.0.002	Screw M4x15 Setiskur	1
32	09.0510.0.001	Screw M5x10 Inbus	1
33	09.0412.0.001	Screw M4x12 Inbus	2
34	09.0404.0.002	Screw M4x4 Setiskur	4
35	09.0305.0.001	Screw M3x5 Inbus	2
36	09.0325.0.001	Screw M3x25 Inbus	2
37	09.0310.0.001	Screw M3x10 Inbus	5
38	09.0308.0.001	Screw M3x8 Inbus	6
39	09.0812.0.002	Screw M8x12 Setiskur	1
40	09.0415.0.001	Screw M4x15 Inbus	2
41	09.0506.0.001	Screw M5x6 Setiskur	1
42	09.0000.0.026	Spring	3
43	09.0003.0.011	Washer ř3	2
44	09.0324.0.021	Fitting M3 2/4	1
45	09.0524.0.021	Fitting Speed Control M5 2/4	2
46	09.0003.0.010	Nut M3	1
47	09.0008.0.010	Nut M8	1

Revised 10/2006

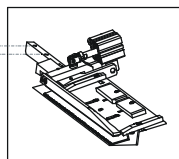
e-mail: [service@amfreece.cz](mailto:service@amfreece.cz); [parts@amfreece.cz](mailto:parts@amfreece.cz); website: [www.amfreece.com](http://www.amfreece.com)

Phone: +420 582 309 160 (Service), +420 582 309 189 (343) (Spare Parts); Fax: +420 582 360 606

# CLAMP SECTIONS



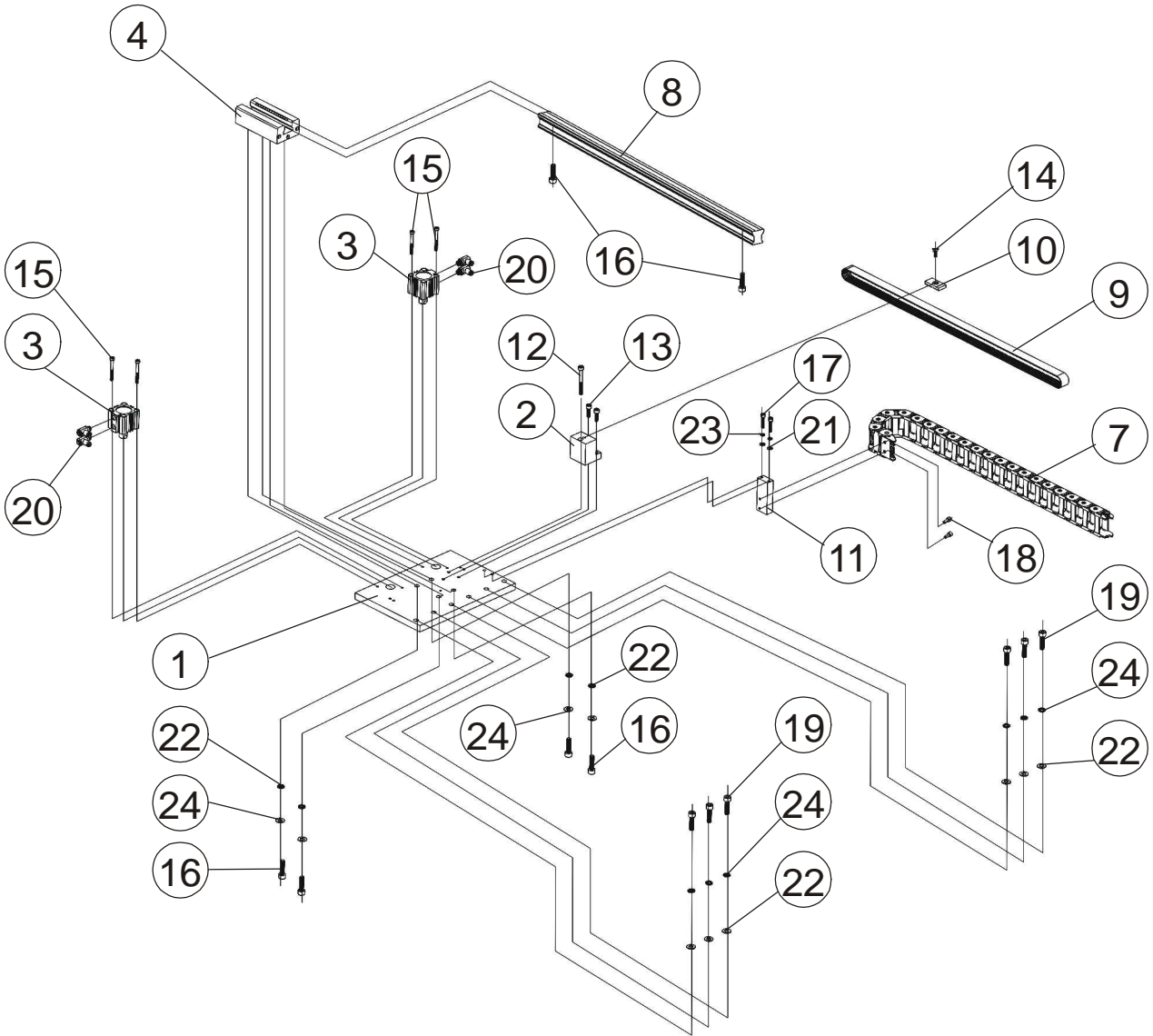
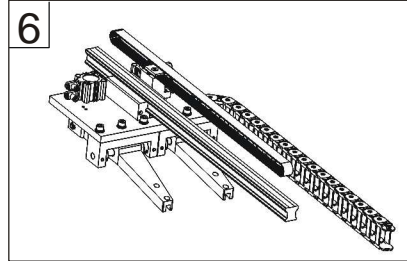
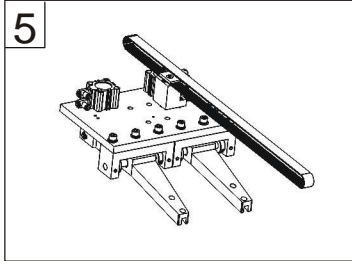
1 LEFT



2 RIGHT



# CLAMP CARRIER

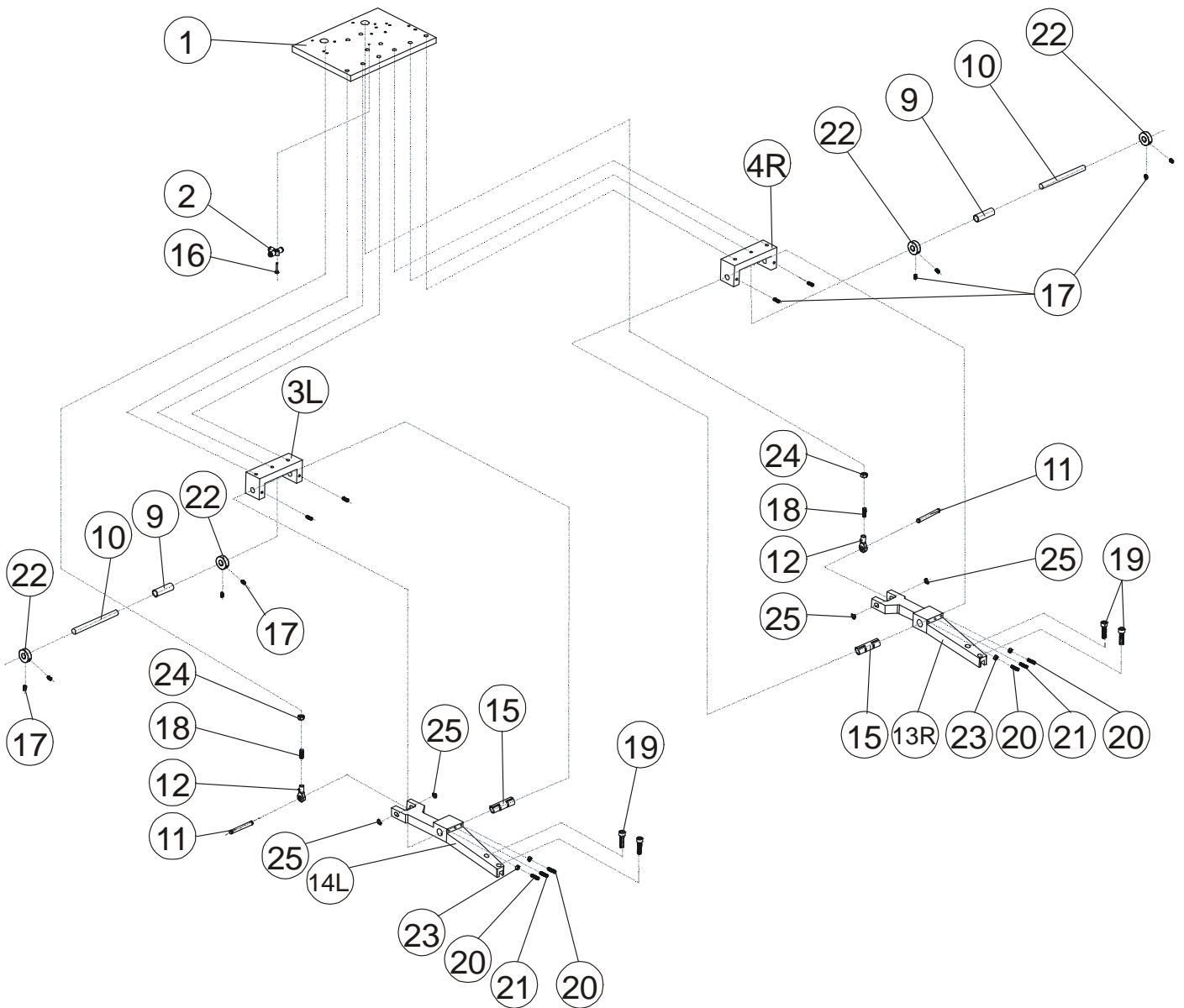
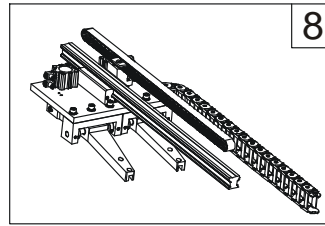
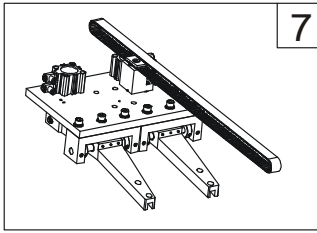




## CLAMP CARRIER

DET	PART NUMBER	DESCRIPTION	QTY
1	68.0025.0.001	Clamp Housing Trimmer	1
2	68.0025.0.002	Movement Belt Connection Part	1
3	68.0025.0.003	Piston short ø32 S15	2
4	68.0025.0.004	Base Plate	1
5	68.0025.0.009	Carriage Unit	1
6	68.0025.0.010	Complete Unit of Clamp Carrier	1
7	68.0025.0.011	Cable Carriage	1
8	68.0025.0.012	Linear Rail	1
9	68.0025.0.013	Trimming Belt	1
10	68.0025.0.040	Holder	1
11	68.0025.0.070	Cable Carriage Connecting Part	1
12	09.0655.0.001	Screw M6x55 Inbus	1
13	09.0620.0.001	Screw M6x20 Inbus	2
14	09.0615.0.001	Screw M6x15 Inbus	1
15	09.0545.0.001	Screw M5x45 Inbus	4
16	09.0830.0.001	Screw M8x30 Inbus	6
17	09.0530.0.001	Screw M5x30 Inbus	2
18	09.0512.0.001	Screw M5x12 Inbus	2
19	09.0835.0.001	Screw M8x35 Inbus	6
20	09.0624.0.020	Record M6 2/4	4
21	09.0005.0.011	Washer ø5	2
22	09.0008.0.011	Washer ø8	10
23	09.0005.0.026	Spangle ø5	2
24	09.0008.0.026	Spangle ø8	10

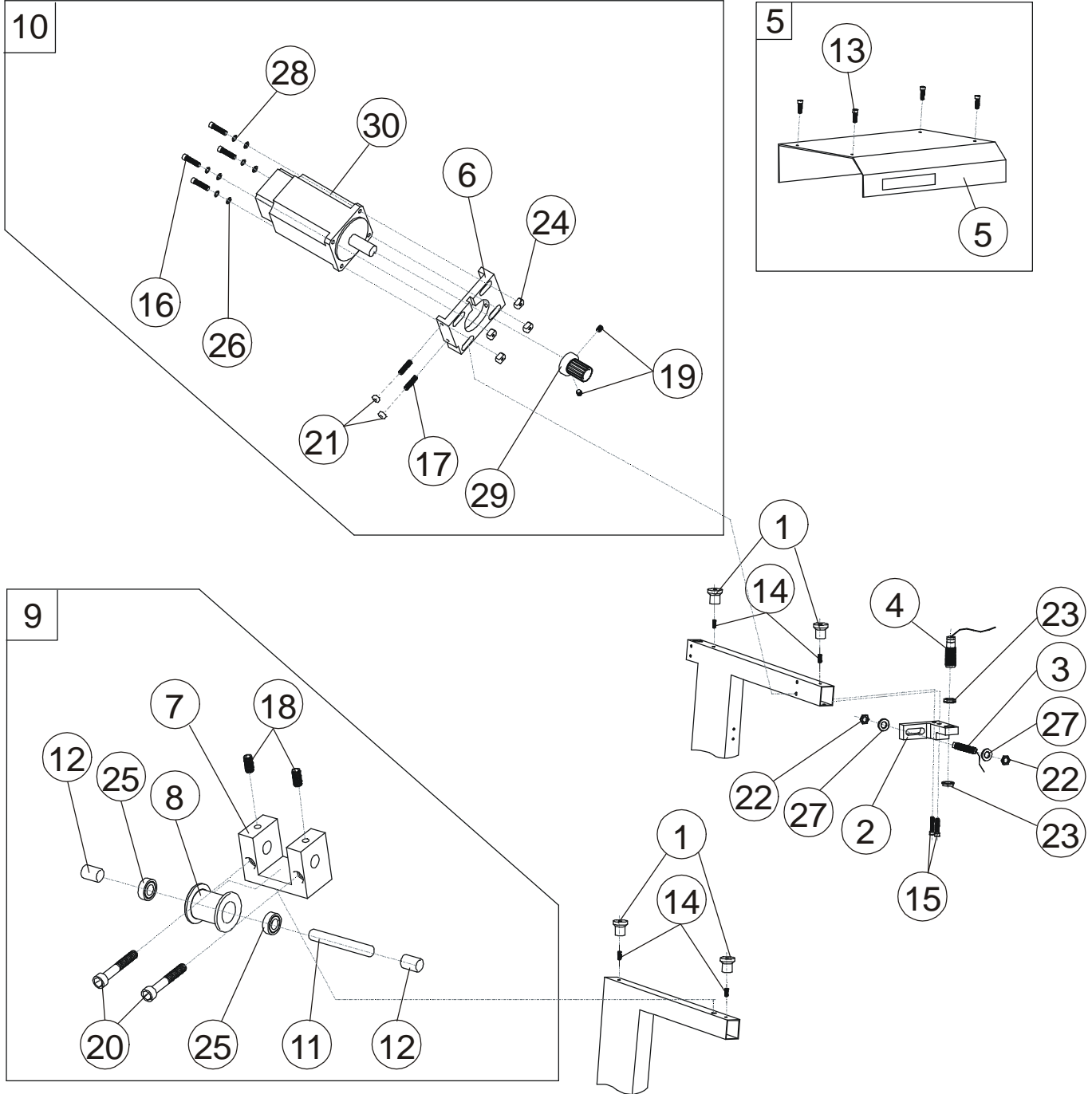
# CLAMP CARRIER



**CLAMP CARRIER**

<b>DET</b>	<b>PART NUMBER</b>	<b>DESCRIPTION</b>	<b>QTY</b>
1	68.0025.0.001	Clamp HAVING	1
2	68.0025.0.006	Fitting T 2/4	1
3	68.0025.0.007L	Clamp Arm Holder (Left)	1
4	68.0025.0.007R	Clamp Arm Holder (Right)	1
7	68.0025.0.009	Carriage Unit	1
8	68.0025.0.010	Complete Unit of Clamp Carrier	1
9	68.0025.0.014	Bush	2
10	68.0025.0.015	Pin	2
11	68.0025.0.016	Pin	2
12	68.0025.0.017	Clamp Arm Joint	2
13	68.0025.0.060R	Clamp Arm (Right)	4
14	68.0025.0.060L	Clamp Arm (Left)	1
15	68.0025.0.061	Adjusted Axle Place	1
16	09.0415.0.001	Screw M4x15 Inbus	1
17	09.0608.0.002	Screw M6x8 Setiskur	12
18	09.0835.0.002	Screw M8x35 Setiskur	2
19	09.0515.0.002	Screw M5x15 Inbus	4
20	09.0620.0.002	Screw M6x20 Setiskur	4
21	09.0006.0.027	M6 Ojl Place	2
22	09.0000.0.022	Bush	4
23	09.0006.0.010	Nut M6	4
24	09.0008.0.010	Nut M8	2
25	09.0000.0.025	Segment	4

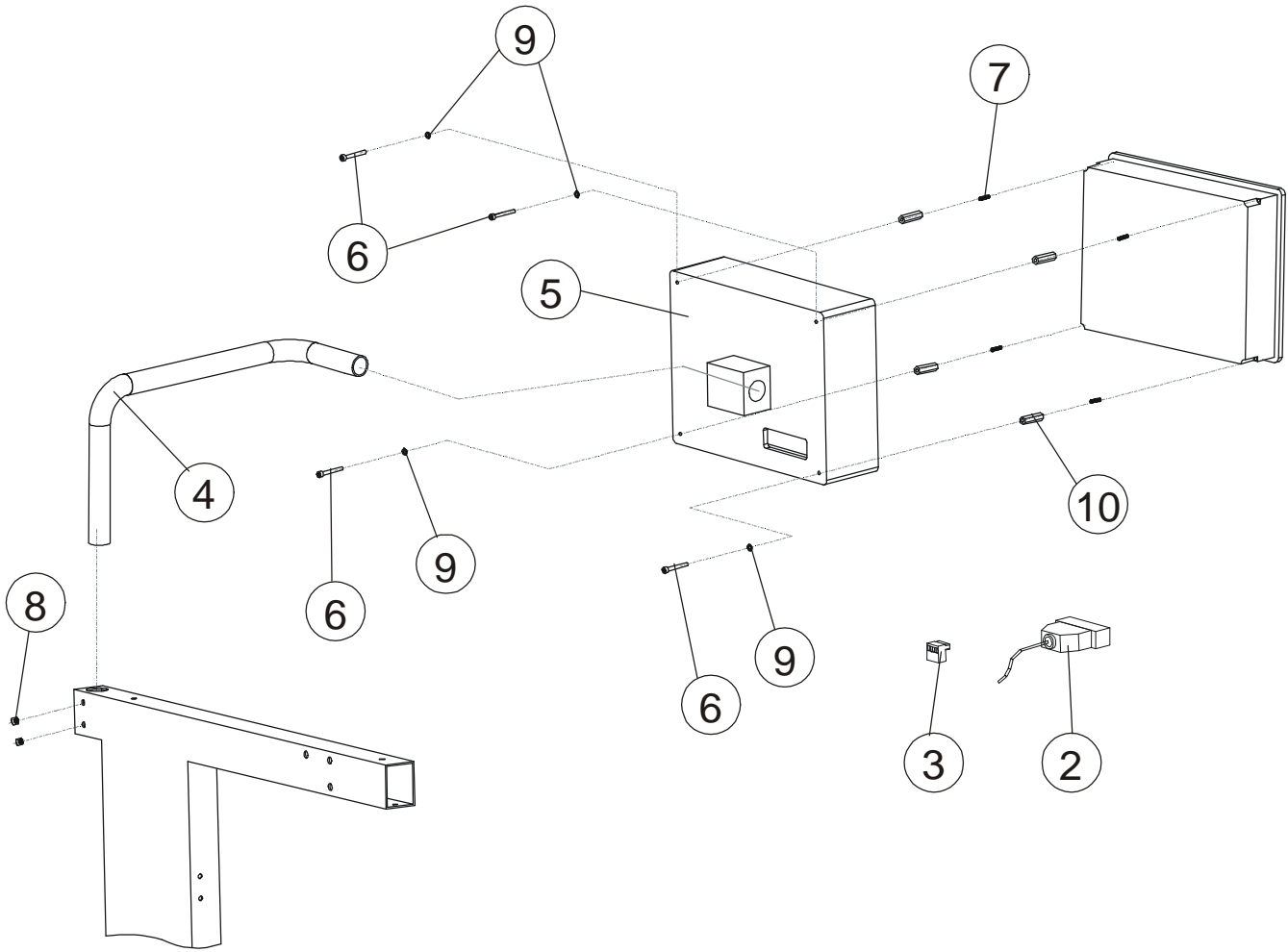
# CLAMP CARRIER



**CLAMP CARRIER**

DET	PART NUMBER	DESCRIPTION	QTY
1	68.0026.0.005	Bracket	4
2	68.0026.0.006	Bracket	1
3	68.0026.0.007	Sensor	1
4	68.0026.0.008	Photocell	1
5	68.0026.0.009	Cover	1
6	68.0026.0.060	Motor Plate	1
7	68.0026.0.061	Pulley Body	1
8	68.0026.0.062	Pulley	1
9	68.0026.0.063	Belt Stretched Unit	1
10	68.0026.0.064	Motor Connection Unit	1
11	68.0026.0.065	Pin	1
12	68.0026.0.066	Metal Ring	2
13	09.0615.0.001	Screw M6x15 Inbus	4
14	09.0615.0.002	Screw M6x15 Setiskur	4
15	09.0630.0.001	Screw M6x30 Inbus	2
16	09.0525.0.001	Screw M5x25 Inbus	4
17	09.0620.0.002	Screw M6x20 Setiskur	2
18	09.0610.0.002	Screw M6x10 Setiskur	2
19	09.0406.0.002	Screw M4x6 Setiskur	2
20	09.0000.0.001	Screw M0x0 Inbus	2
21	09.0006.0.010	Nut M6	2
22	09.0012.0.010	Nut M12	2
23	09.0018.0.010	Nut M18	2
24	09.0000.0.012	Nut (Special)	4
25	09.0000.0.023	Bearing	2
26	09.0005.0.011	Washer ø5	4
27	09.0012.0.011	Washer ø12	2
28	09.0005.0.026	Spangle ø5	4
29	68.0026.0.002	Strap Toothed	1
30	68.0035.0.004	Electronic Motor	1

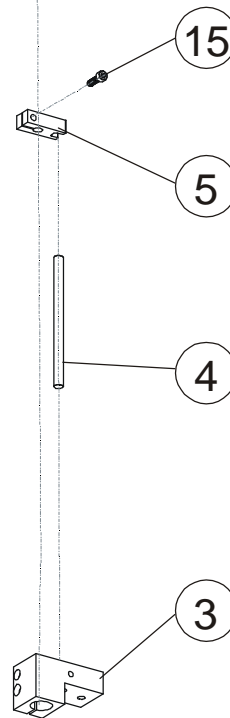
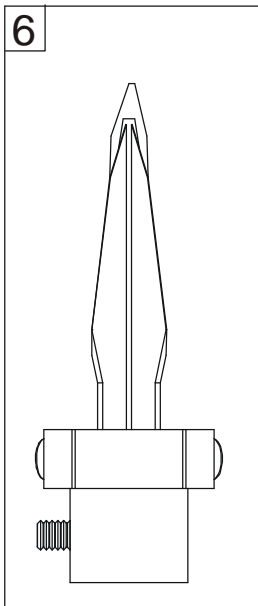
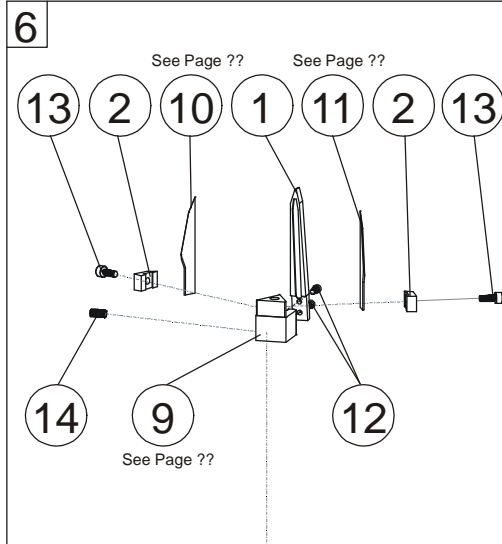
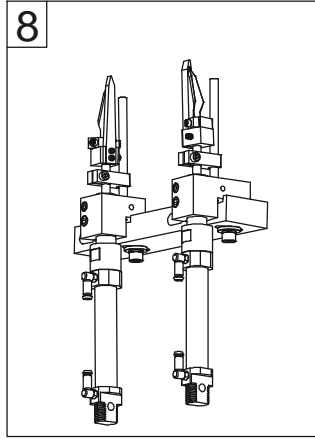
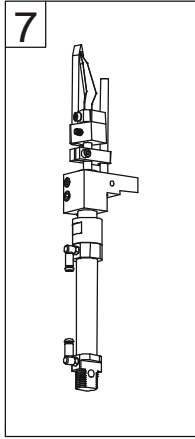
# CONTROL PANEL



**CONTROL PANEL**

DET	PART NUMBER	DESCRIPTION	QTY
1	68.0027.0.001	Control Panel	1
2	68.0027.0.002	Connector	1
3	68.0027.0.003	Power	1
4	68.0027.0.006	Holder	1
5	68.0027.0.060	Screen Cover	1
6	09.0315.0.001	Screw M3x15 Inbus	4
7	09.0320.0.002	Screw M3x20 Setiskur	4
8	09.0610.0.002	Screw M6x10 Setiskur	2
9	09.0003.0.011	Washer ø3	4
10	09.0003.0.012	Special Nut M3	4

# CORNER - KNIFE UNIT

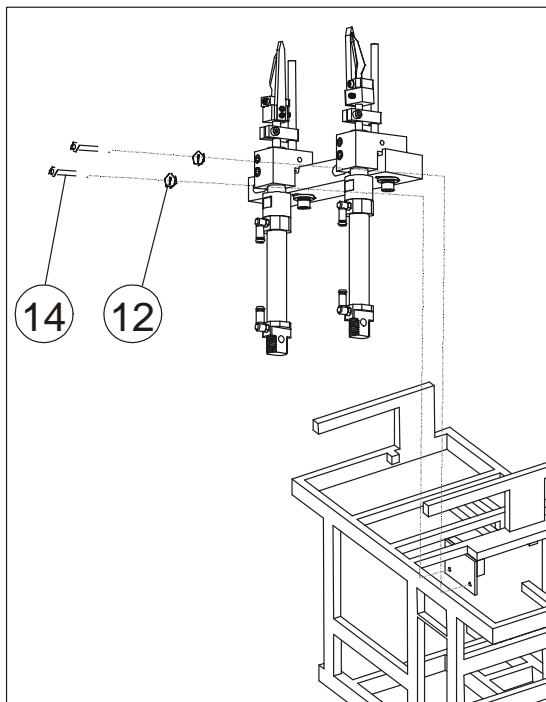
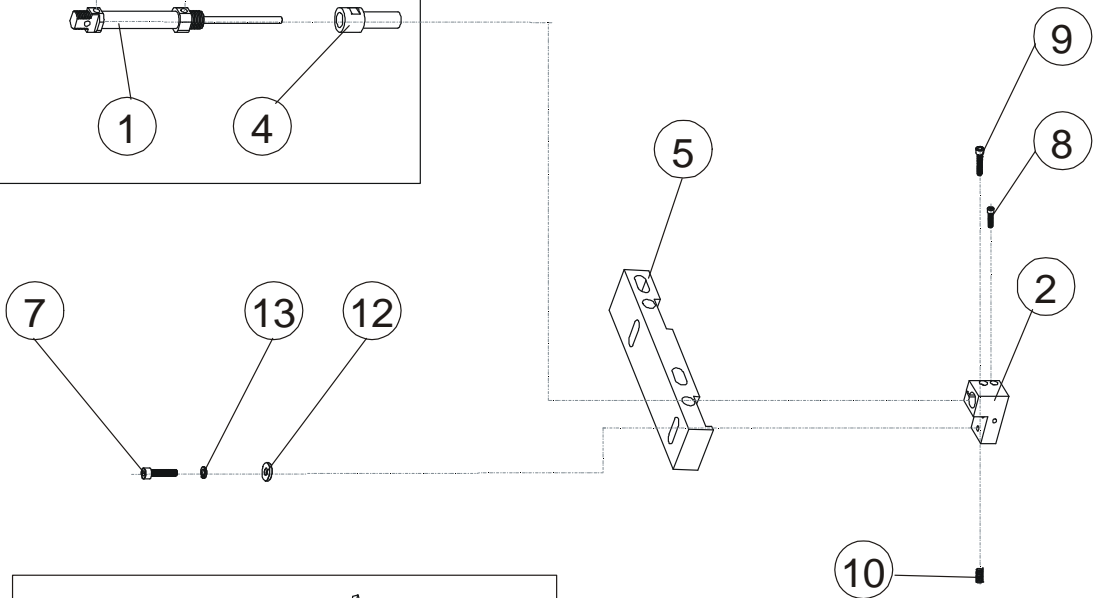
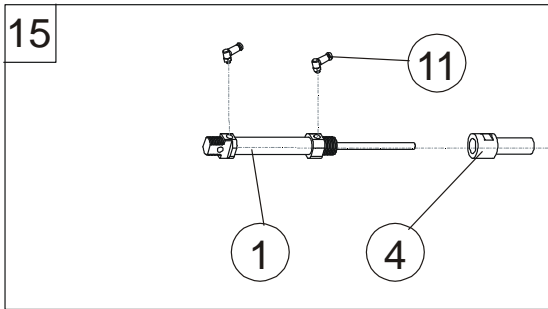
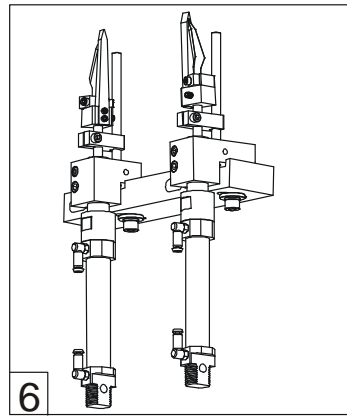
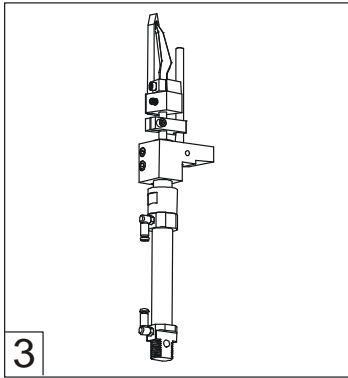




**CORNER - KNIFE UNIT**

DET	PART NUMBER	DESCRIPTION	QTY
1	68.0028.0.008	Tap Knife Protection Part	1
2	68.0028.0.009	Tap Knife Holding Part	2
3	68.0028.0.003	Holder	2
4	68.0028.0.004	Pin	2
5	68.0028.0.005	Joint	2
6	68.0028.0.015	Corner Knife String Comple	1
7	68.0028.0.016	Corner Knife Piston Comple	1
8	68.0028.0.065	Corner Knife Unit	1
9	68.0051.0.0XX	Tap Knife Connection Part (See Page ??)	1
10	68.0052.0.0XXL	Tap Knife Left Side (See Page ??)	1
11	68.0052.0.0XXR	Tap Knife Right Side (See Page ??)	1
12	09.0308.0.001	Screw M3x8 Inbus	2
13	09.0408.0.001	Screw M4x8 Inbus	2
14	09.0608.0.002	Screw M6x8 Setiskur	1
15	09.0515.0.001	Screw M5x15 Inbus	1

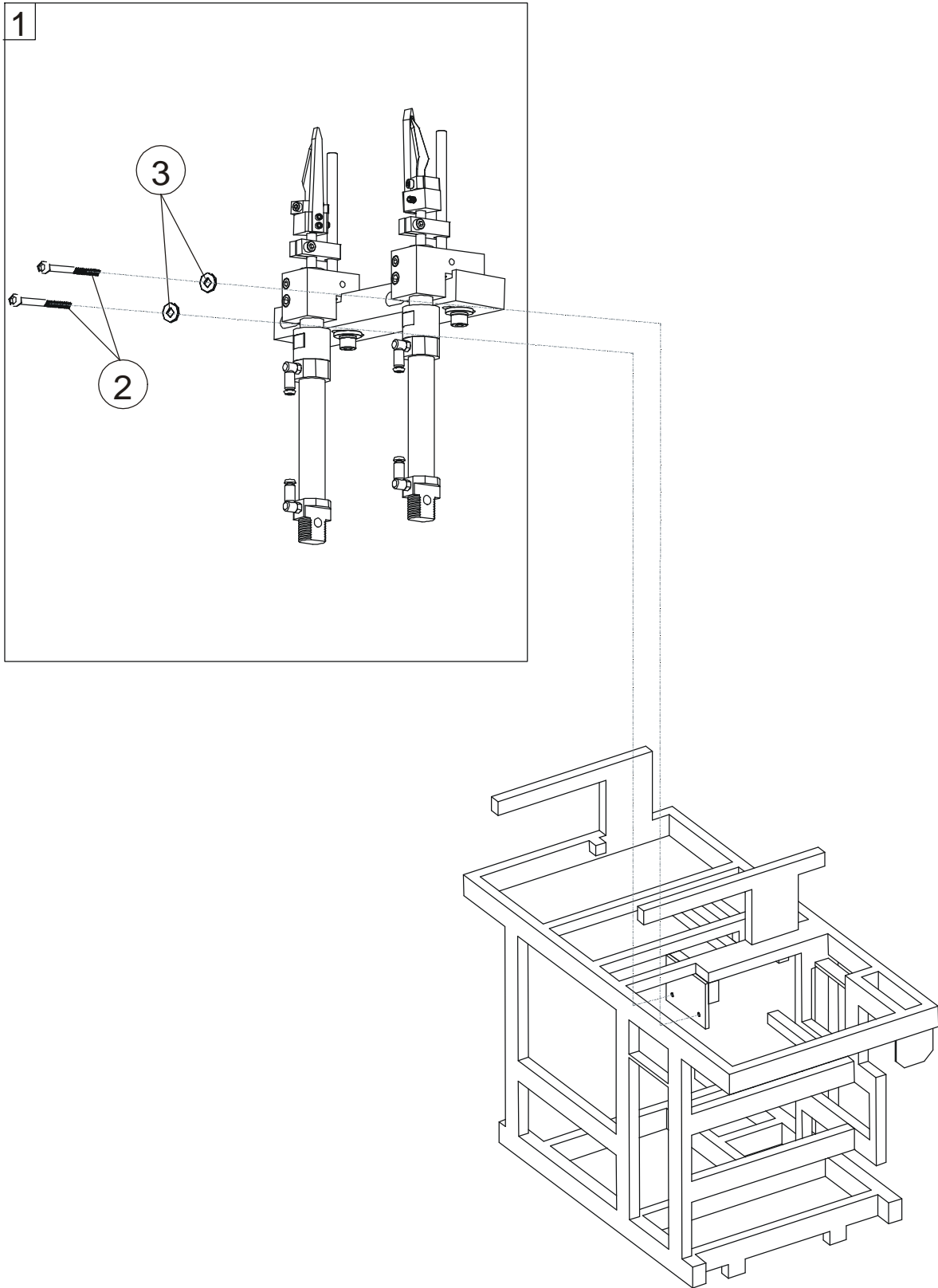
# CORNER - KNIFE UNIT



**CORNER - KNIFE UNIT**

DET	PART NUMBER	DESCRIPTION	QTY
1	68.0028.0.001	Piston ø20 S70 Special	2
2	68.0028.0.003	Holder	2
3	68.0028.0.016	Corner Knife Piston Unit	1
4	68.0028.0.040	Piston Joint	2
5	68.0028.0.060	Piston Plate	1
6	68.0028.0.065	Corner Knife Unit	1
7	09.0835.0.001	Screw M8x35 Inbus	4
8	09.0530.0.001	Screw M5x30 Inbus	2
9	09.0535.0.001	Screw M5x35 Inbus	2
10	09.0608.0.002	Screw M6x8 Setiskur	2
11	09.0624.0.021	Fitting M6 2/4	4
12	09.0008.0.011	Washer ø8	2
13	09.0008.0.026	Spangle ø8	2
14	09.0855.0.001	Screw M8x55 Inbus	2
15	68.0028.0.018	Corner Knife Piston Unit	1

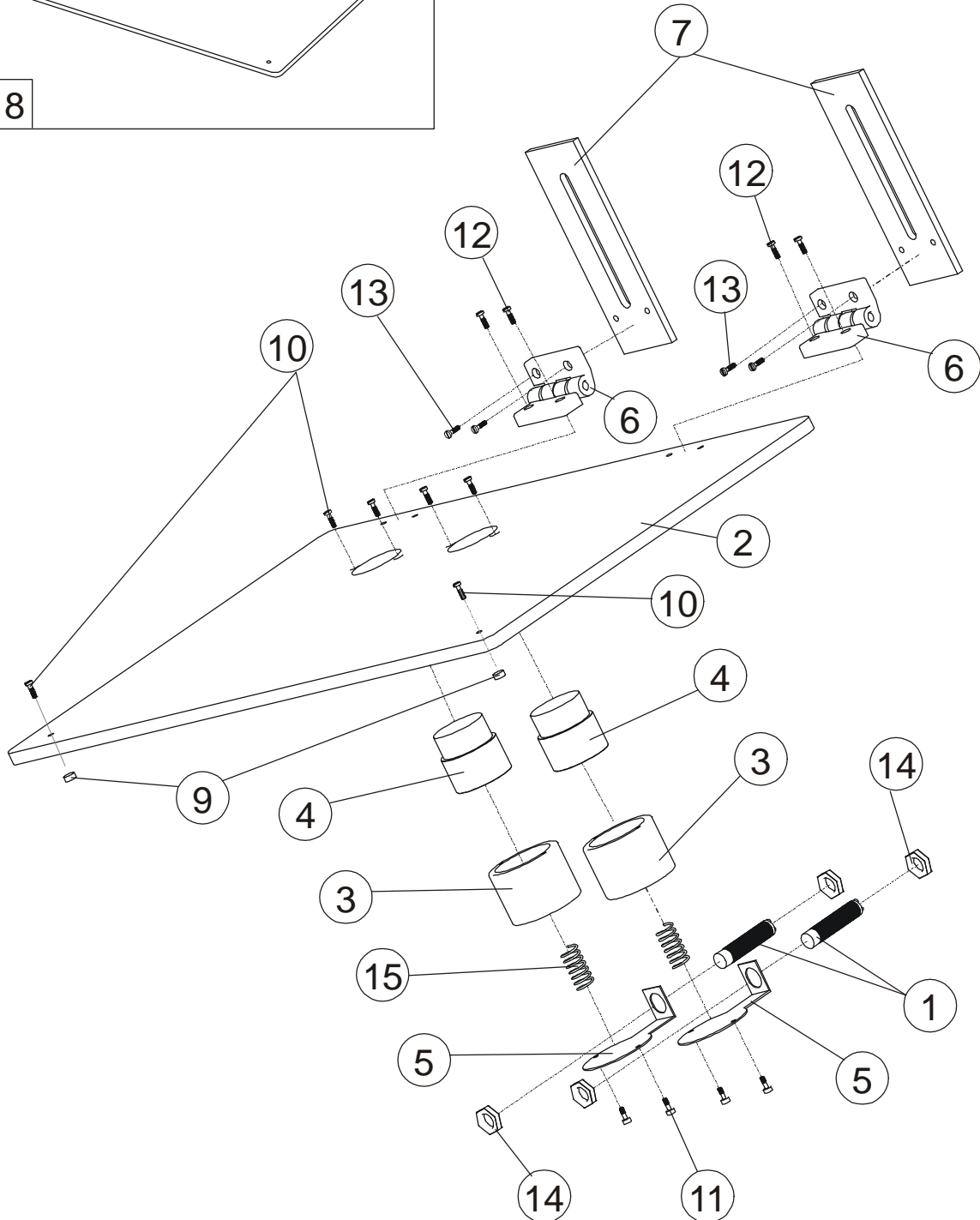
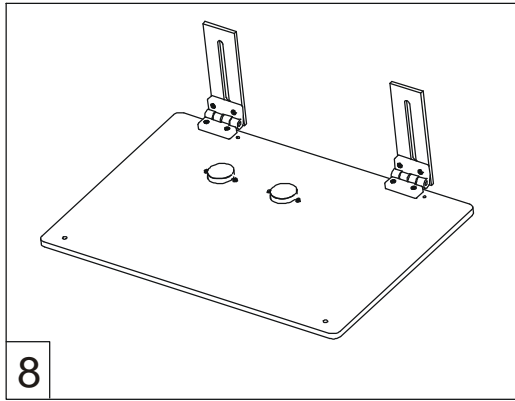
# CORNER - KNIFE UNIT



**CORNER - KNIFE UNIT**

DET	PART NUMBER	DESCRIPTION	QTY
1	68.0028.0.065	Corner Knife Unit	1
2	09.0855.0.001	Screw M8x55 Inbus	2
3	09.0008.0.011	Washer ø8 Thick	2

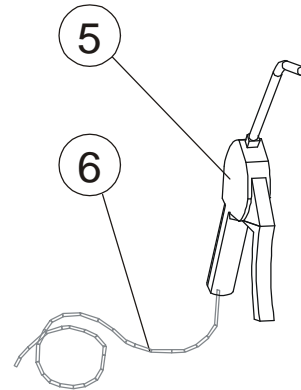
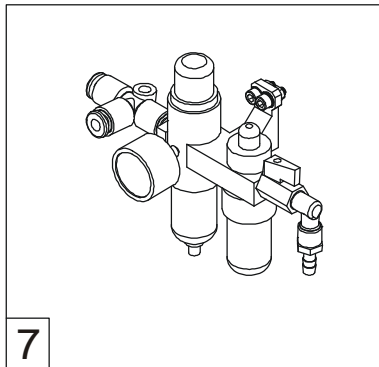
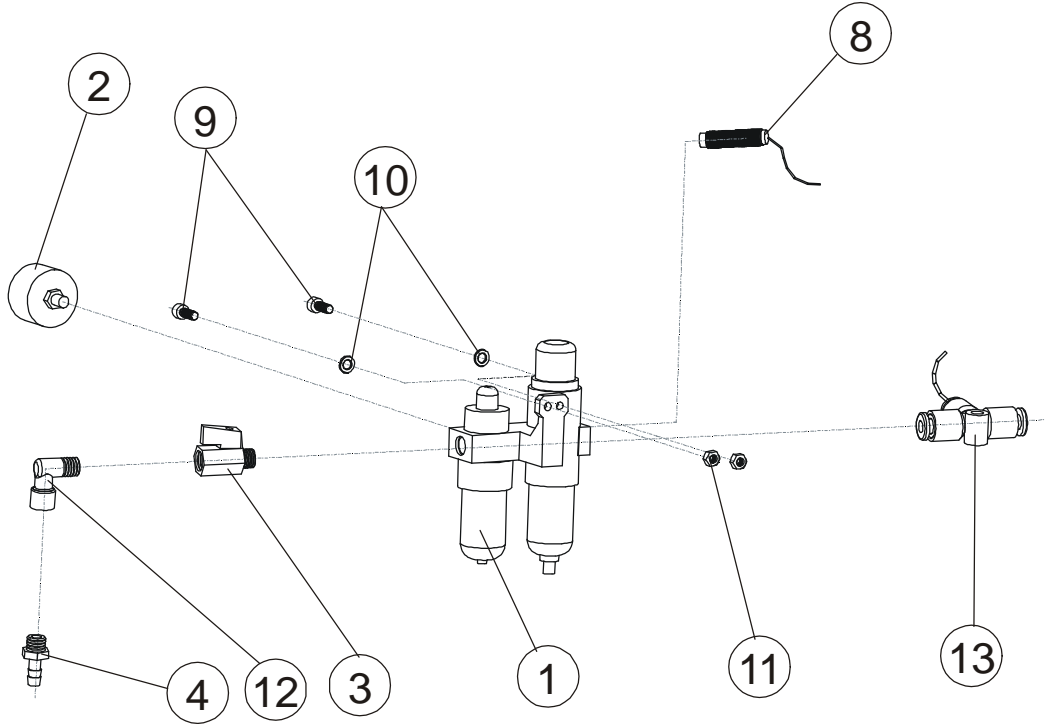
# PEDAL SECTION



**PEDAL SECTION**

DET	PART NUMBER	DESCRIPTION	QTY
1	68.0030.0.005	Foot Sensor	2
2	68.0030.0.060	Foot Pedal Sheet Wood	1
3	68.0030.0.061	Foot Pedal Out Block	2
4	68.0030.0.062	Foot Pedal	2
5	68.0030.0.064	Sensor Holder	2
6	68.0030.0.065	Hinge	2
7	68.0030.0.066	Foot Pedal Sheet Wood Tie	2
8	68.0030.0.067	Foot Pedal Unit	1
9	68.0030.0.068	M5 Rubber	2
10	09.0415.0.003	Screw M4x15 Counterbore Inbus	6
11	09.0312.0.001	Screw M3x12 Inbus	4
12	09.0520.0.003	Screw M5x20 Counterbore Inbus	4
13	09.0408.0.004	Screw M4x8 Counterbore Star	4
14	09.0012.0.010	Nut M12	4
15	09.0000.0.024	Spring	2

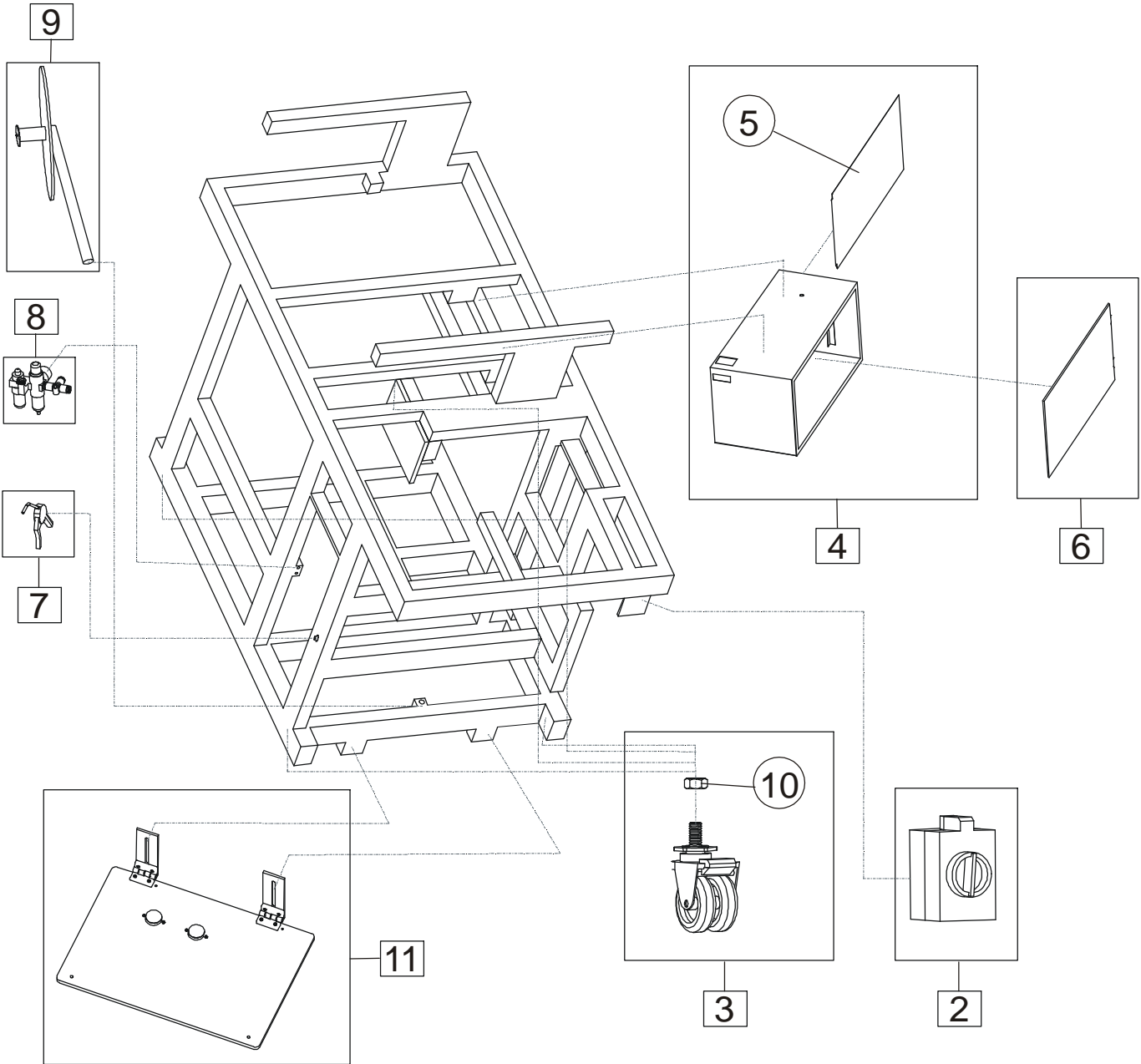
# AIR FILTER







# MAIN STRUCTURE



**MAIN STRUCTURE**

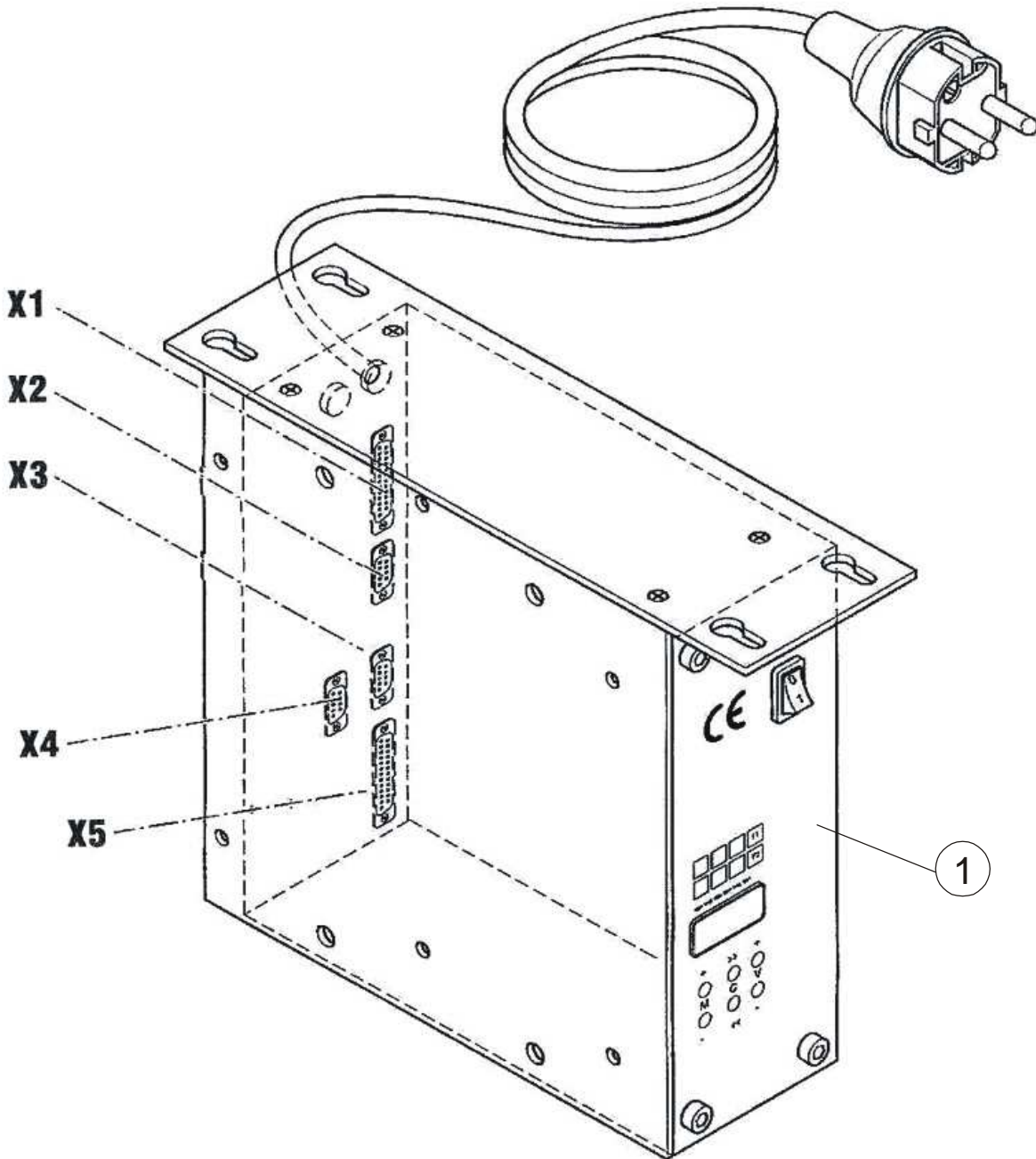
DET	PART NUMBER	DESCRIPTION	QTY
1	68.0032.0.005	Box of Electronic Control Unit	1
2	68.0032.0.008	Main Electric Button	1
3	68.0032.0.009	Whell	4
4	68.0032.0.060	Electronic Box Comple Unit	1
5	68.0032.0.040	Electronic Box Part	1
6	68.0032.0.041	Electronic Box Cover	1
7	68.0031.0.007	Air Gun	1
8	68.0031.0.009	Pneumatic Regulator	1
9	68.0029.0.065	Automatic Loading And Cutting Device For Interfacing	1
10	68.0058.0.010	Nut W5/8	1
11	68.0030.0.067	Foot Pedal Unit	1





# **ELECTRONIC SECTION**

# MOTOR SECTIONS



## SERVO MINI STOP MOTOR

### (HEAD MOTOR)

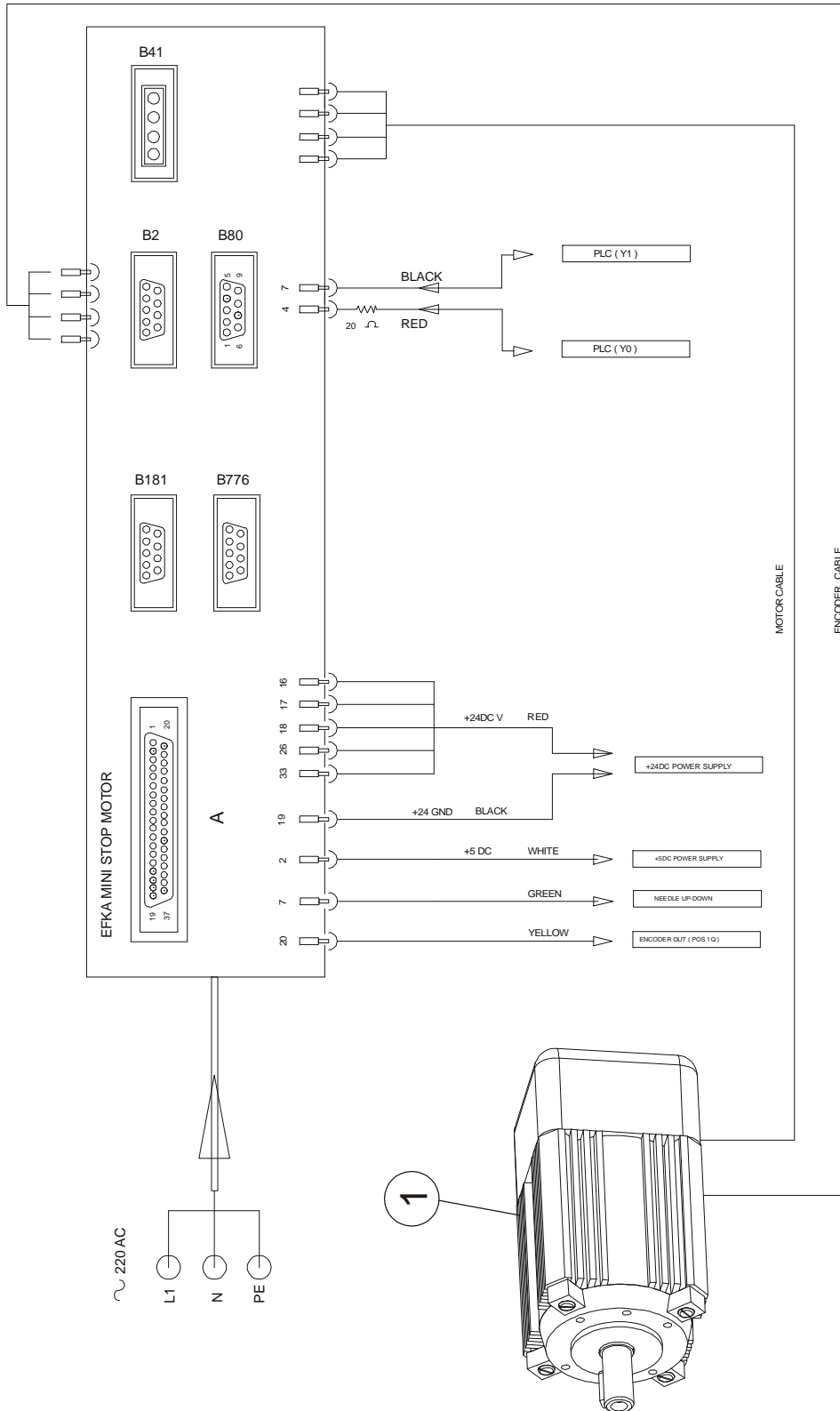
## **MOTOR SECTIONS**

---

<b>DET</b>	<b>PART NUMBER</b>	<b>DESCRIPTION</b>	<b>QTY</b>
1	68.0035.0.002	Head Motor Driver	1

# MOTOR SECTIONS

## EFKA MOTOR DRIVER CONNECTION



PARAMETER	DEFINITION	FROM OVER EFKA PANEL	FROM EXTERNAL PANEL
Pmn 110	SOFT STOP	350	350
Pmn 111	MAX SPEED	400	4000
Pmn 115	SOFT START	20	200
Pmn 161	DIRECTION OF ROTATION	1	1
Pmn 171	NEEDLE POSITION (P1E,P2E,P1A,P2A,SETTING THE NEEDLE POSITION)	3	3
PRM 240	NEEDLE UP/DOWN	5	5
Pmn 270	NEEDLE MODE	400	4000
Pmn 370	SPEED LIMIT	400	5
Pmn 396	FREQUANCE CONTROL ON	1	1

EFKA MINI STOP MOTOR PARAMETER LIST	DEFINITION	Level 2
PASSWORD	5913	Level 2
For the Master / Reset	Parameter	
PR M 290	Master / Reset	0

EFKA MINI STOP MOTOR PARAMETER LIST	DEFINITION	Level 2
For the Master / Reset	Parameter	
PRM 290	Master / Reset	0



## MOTOR SECTIONS

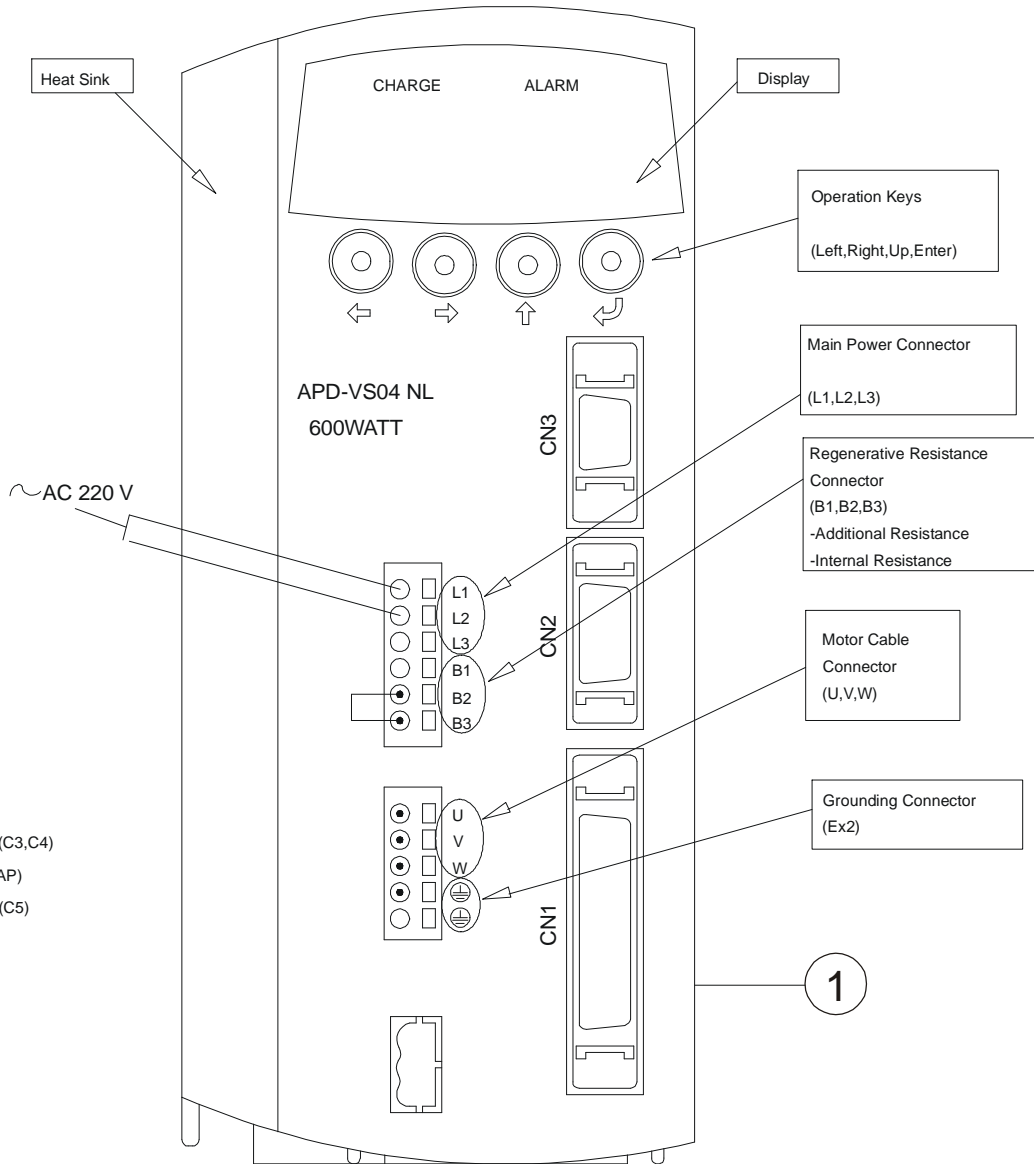
---

DET	PART NUMBER	DESCRIPTION	QTY
1	68.0035.0.001	Head Motor	1

# MOTOR SECTIONS

## 600 W SERVO DRIVER PARAMETER LIST

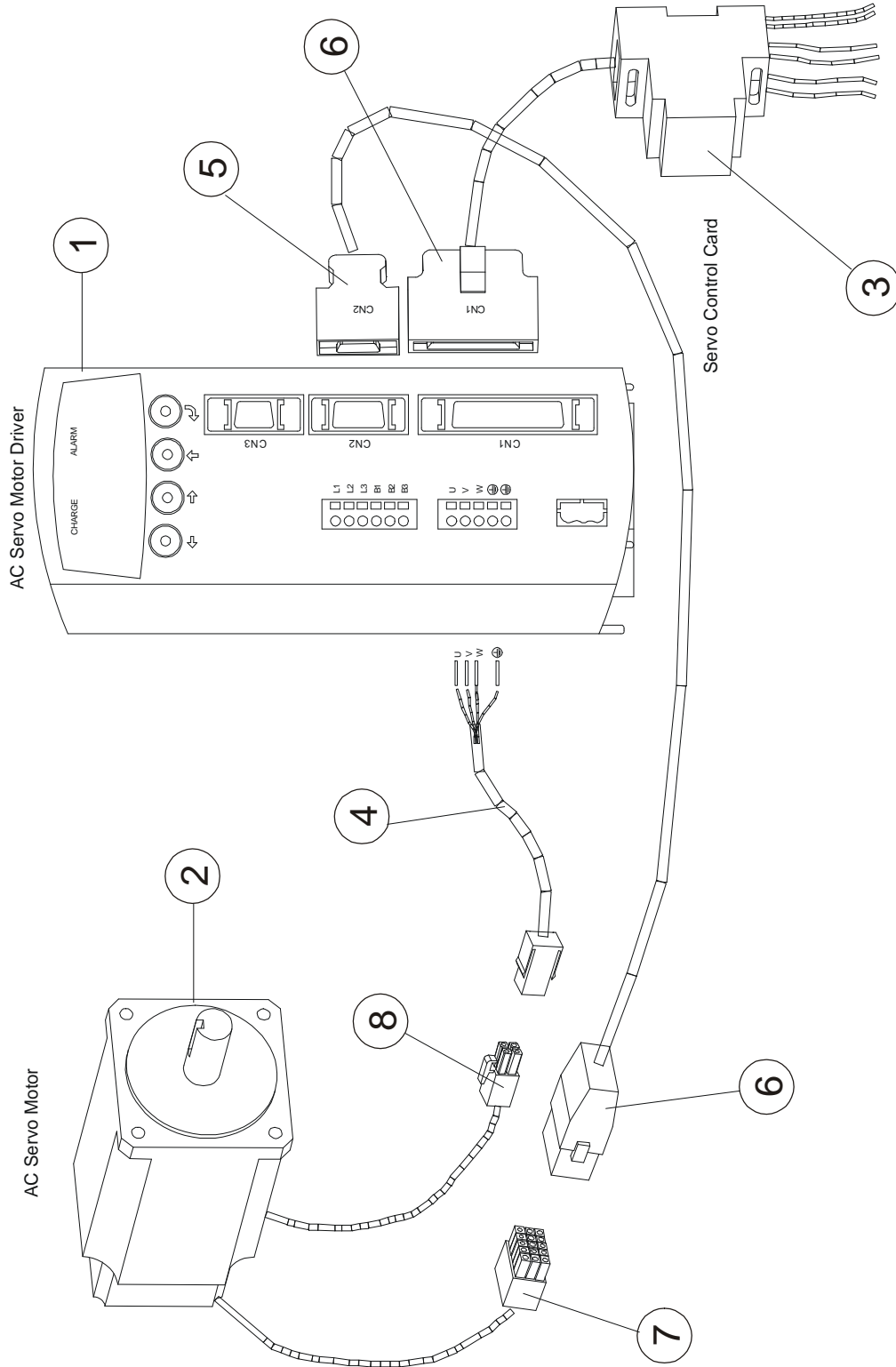
CODE	UNIT
*PE-201	22
*PE-202	0
*PE-203	0
*PE-204	2500
PE-301	2.0
PE-302	20
PE-316	300
PE-505	1.0
PE-506	10
PE-508	1
PE-509	2
PE-510	16
PE-514	1
*PE-601	2
PE-609	9000
PE-610	2000
*PE-611	0
*PE-701	2
*PE-702	10000
*PE-703	200 (LW 6000) (C3,C4)
*PE-703	160 (LW 6000/ AP)
PE-703	160 (LW 6000) (C5)



**MOTOR SECTIONS**

DET	PART NUMBER	DESCRIPTION	QTY
1	68.0035.0.003	Servo Driver	1

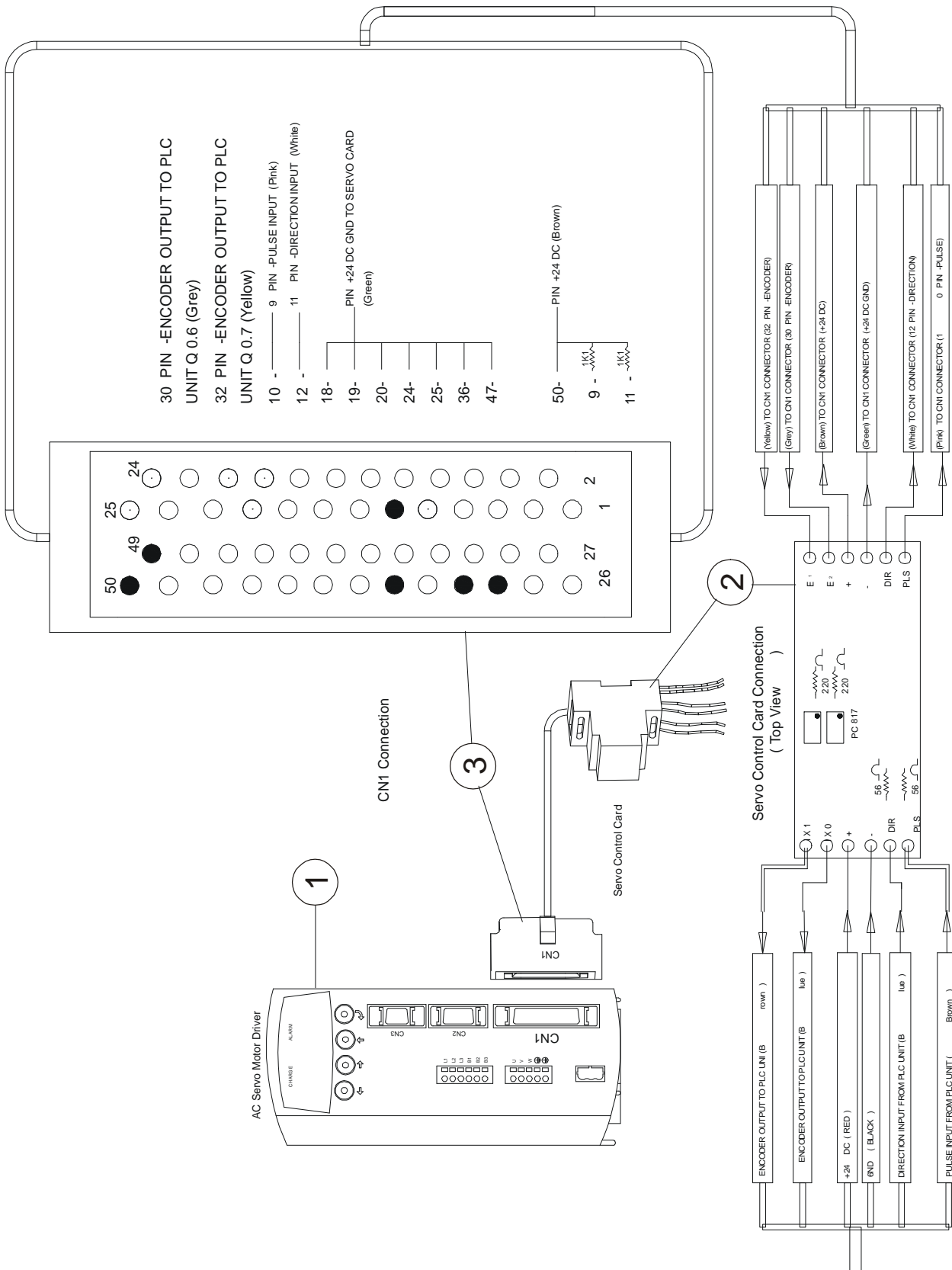
# MOTOR SECTIONS



## MOTOR SECTIONS

DET	PART NUMBER	DESCRIPTION	QTY
1	68.0035.0.003	Servo Driver	1
2	68.0035.0.004	Servo Motor	1
3	68.0035.0.005	Servo Control Card	1
4	68.0035.0.006	Connector	1
5	68.0035.0.008	Connector of Servo Driver	1
6	68.0035.0.009	Connector of Servo Driver	1
7	68.0035.0.010	Connector of Servo Driver	1
8	68.0035.0.011	Connector of Servo Driver	1

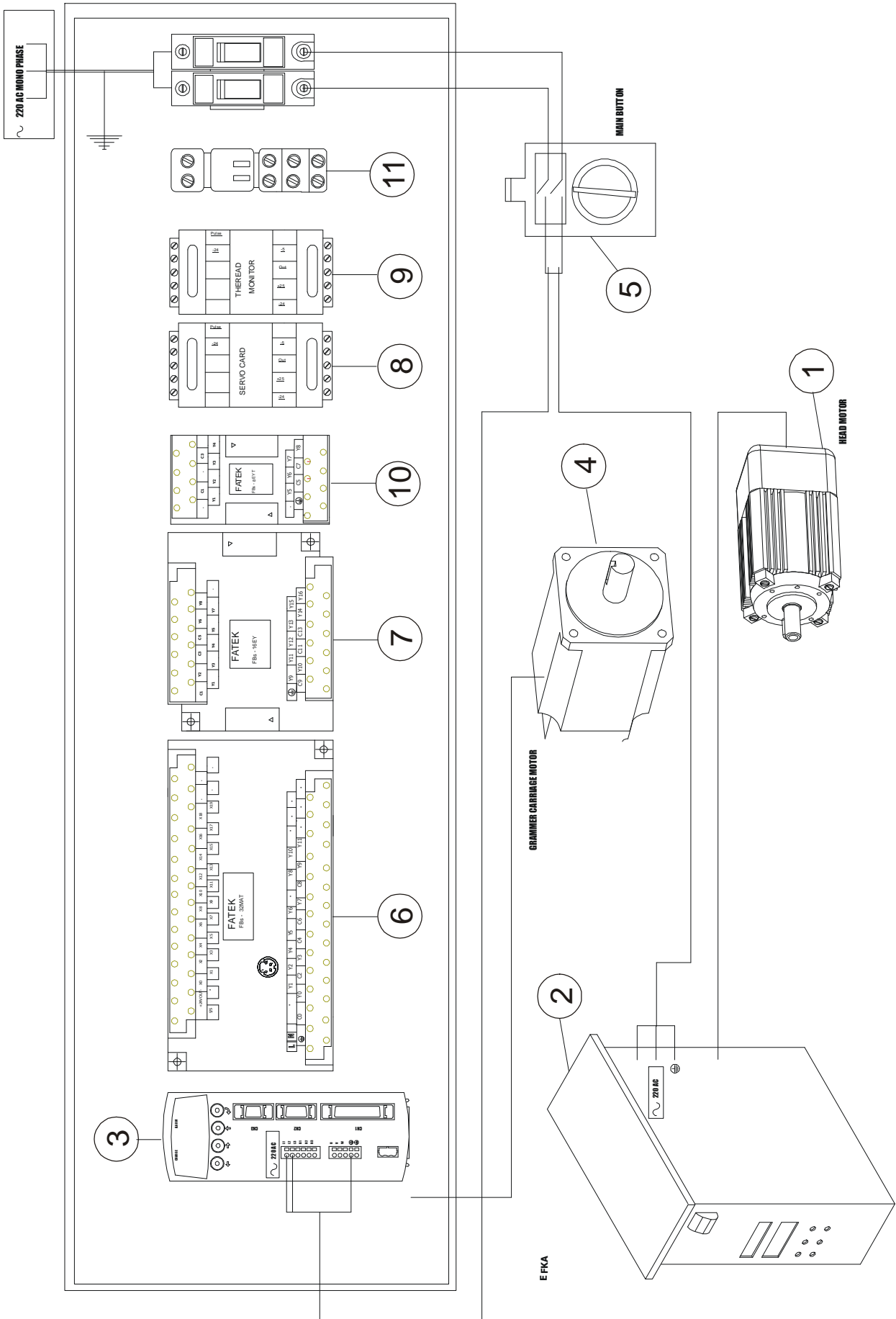
# MOTOR SECTIONS



METRONIX SERVO DRIVER CN1 CONNECTOR CONNECTION



# ELECTRONIC SECTIONS



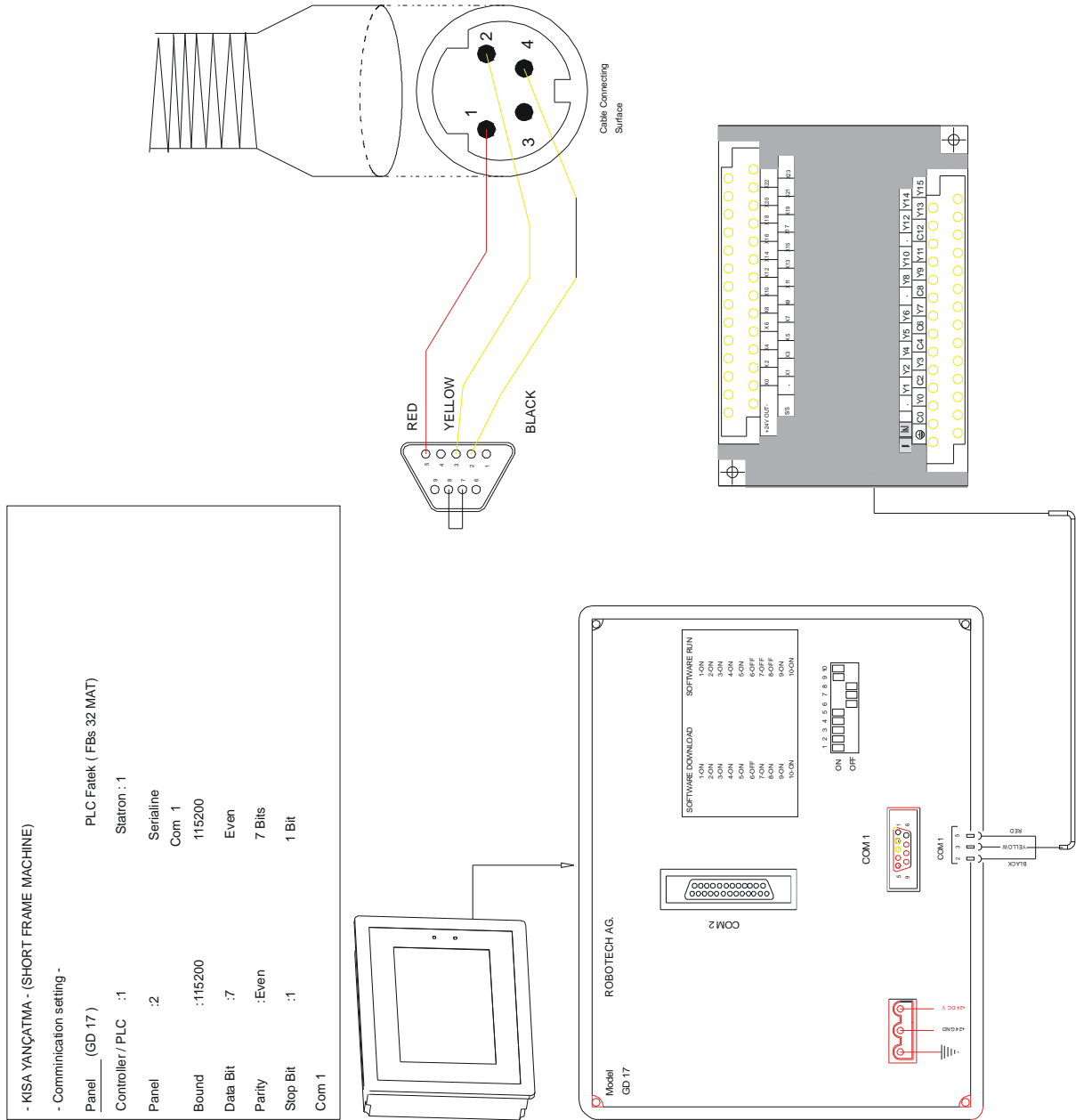


### ELECTRONIC SECTIONS

---

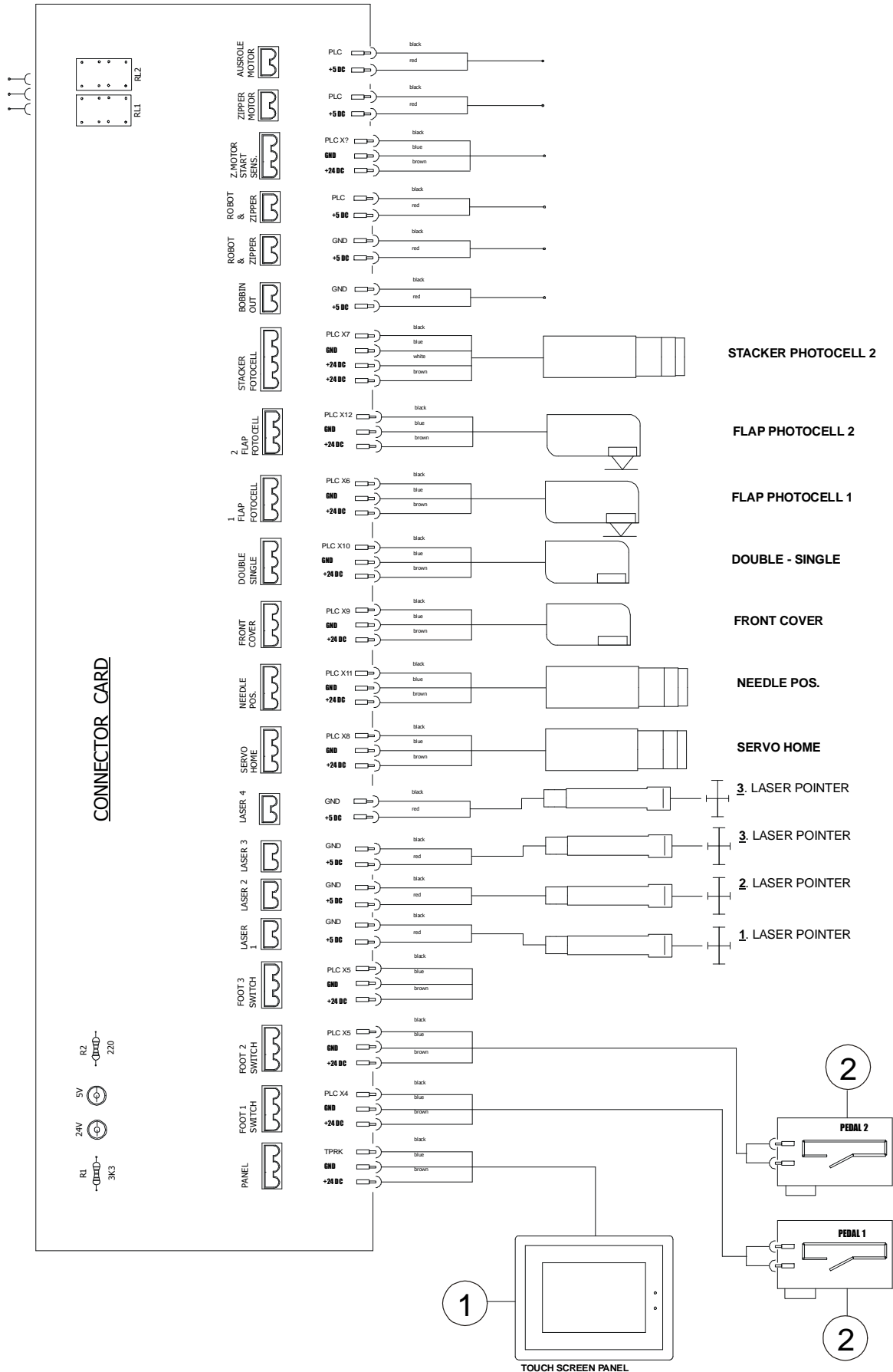
DET	PART NUMBER	DESCRIPTION	QTY
1	68.0035.0.001	Head Motor	1
2	68.0035.0.002	Driver of Head Motor	1
3	68.0035.0.003	Driver of Servo Motor	1
4	68.0035.0.004	Servo Motor	1
5	68.0032.0.008	Main Button	1
6	68.0036.0.001	PLC	1
7	68.0036.0.002	Out Module of PLC	1
8	68.0036.0.003	Servo Control Card	1
9	68.0036.0.004	Thread Monitor	1
10	68.0036.0.005	Out Module 2 of PLC	1
11	68.0036.0.007	Role	1

# ELECTRONIC SECTIONS





# CONNECTOR CARD

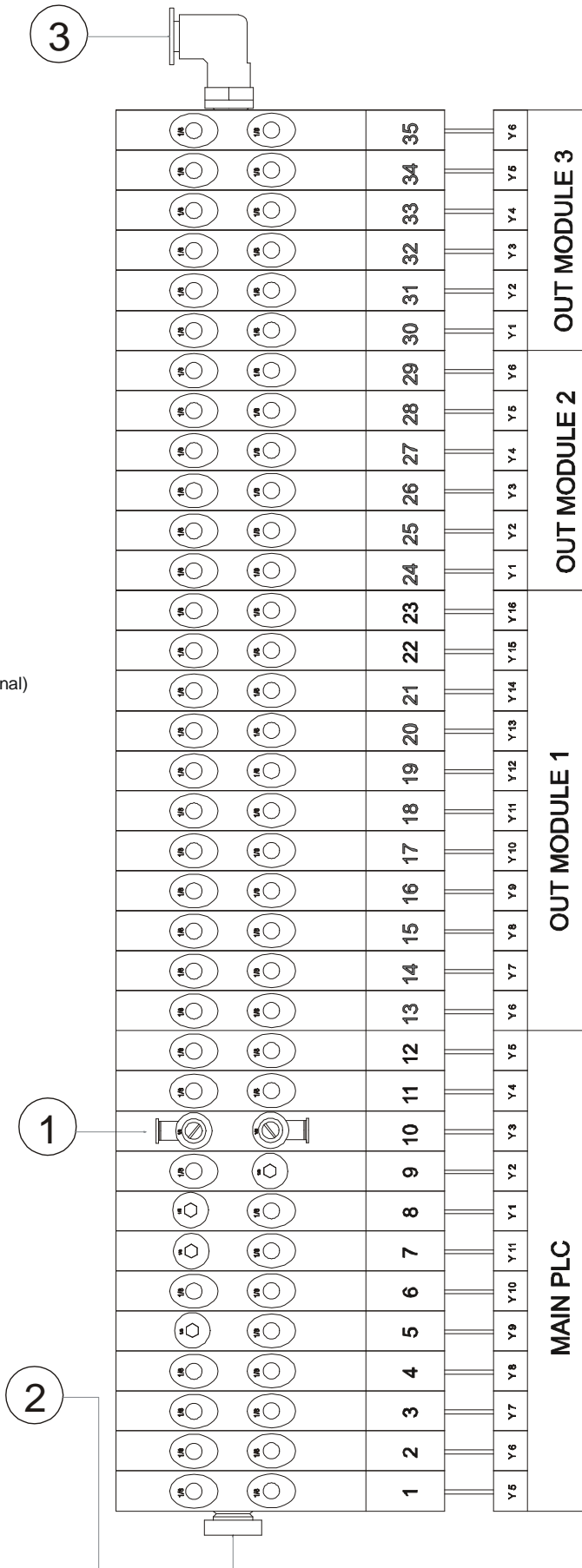


**CONNECTOR CARD**

DET	PART NUMBER	DESCRIPTION	QTY
1	68.0027.0.001	Touch Screen Panel	1
2	68.0030.0.003	Foot Switch	2

# PNEUMATIC SECTIONS

- 1-FLAP CLAMP LEFT
- 2-FLAP CLAMP RIGHT
- 3-MATERIAL CLAMP LEFT
- 4-MATERIAL CLAMP RIGHT
- 5-FOLDERS
- 6-DOUBLE - SINGLE APARATUS
- 7-FRONT PATCH GUIDE DOWN
- 8-FRONT PATCH GUIDE UP
- 9-TENSION
- 10-CENTER KNIFE
- 11-TOP THREAD TRIMMER
- 12-BOTTOM THREAD TRIMMER
- 13-STACKER (Optional)
- 14-DART STRETCHER (Optional)
- 15-VYLENE-LOADING DEVICE (Optional)
- 16-VACUUM (Optional)
- 17-AUSROLE (Optional)
- 18-FOLDERS 2 (Optional)
- 19-VYLENE-LOADING DEVICE START CONTROL (Optional)
- 20-ZIPPER CUT DEVICE FORWARD (Optional)
- 21-ZIP CUTTING (Optional)
- 22-CORNER KNIFE START 4
- 23-CORNER KNIFE STOP 1
  
- 24-UNDER KNIFE 5 (for AP Model)
- 25-UNDER KNIFE 2 (for AP Model)
- 26-UNDER KNIFE 6 (for AP Model)
- 27-UNDER KNIFE 3 (for AP Model)
- 28-LEFT NEEDLE CANCELING (for AP Model)
- 29-RIGHT NEEDLE CANCELING (for AP Model)
  
- 30-LEFT ROBOT 1 (for ROBOT SYSTEM Model)
- 31-LEFT ROBOT 2 (for ROBOT SYSTEM Model)
- 32-LEFT ROBOT 3 (for ROBOT SYSTEM Model)
- 33-RIGHT ROBOT 1 (for ROBOT SYSTEM Model)
- 34-RIGHT ROBOT 2 (for ROBOT SYSTEM Model)
- 35-RIGHT ROBOT 3 (for ROBOT SYSTEM Model)

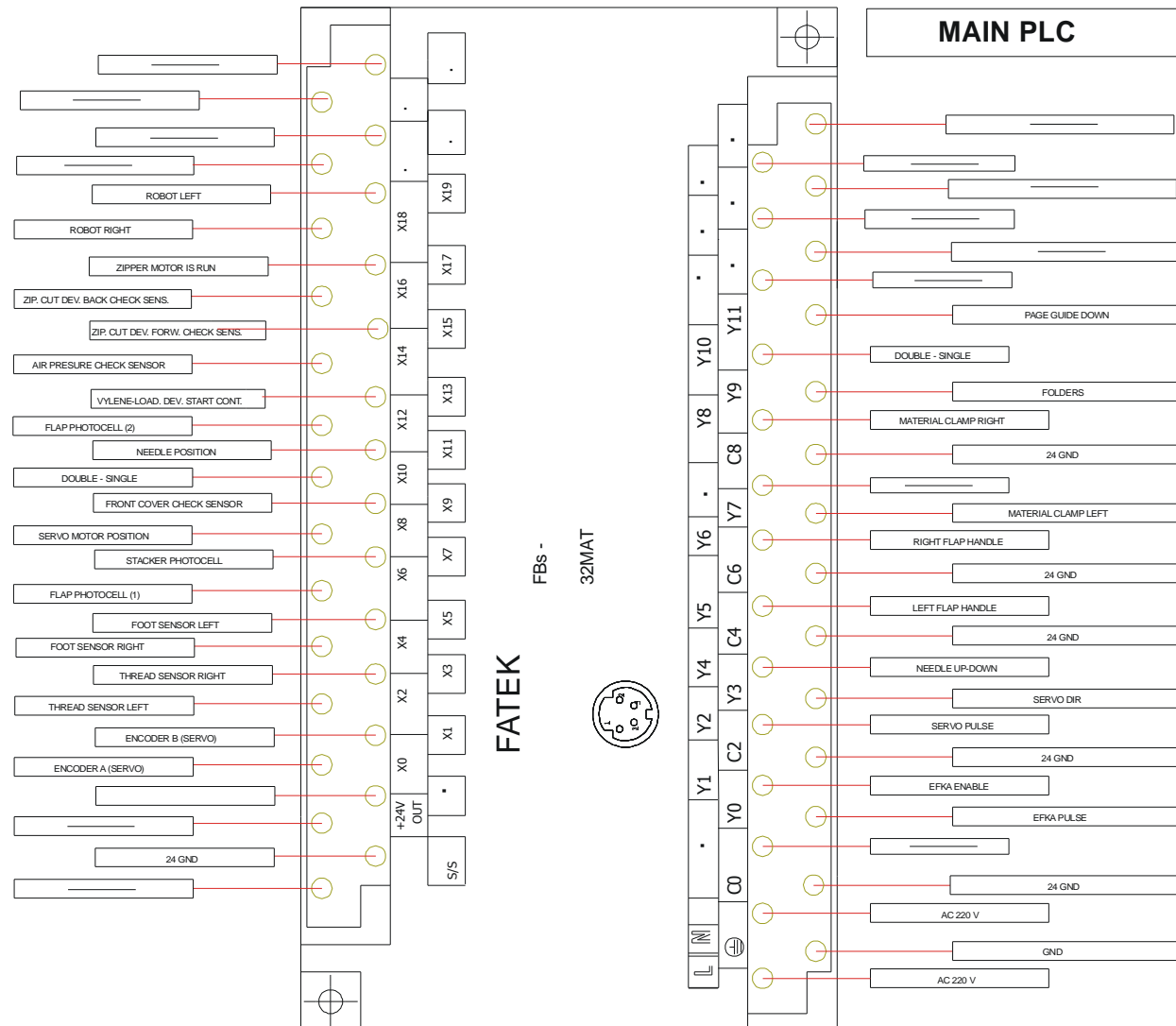
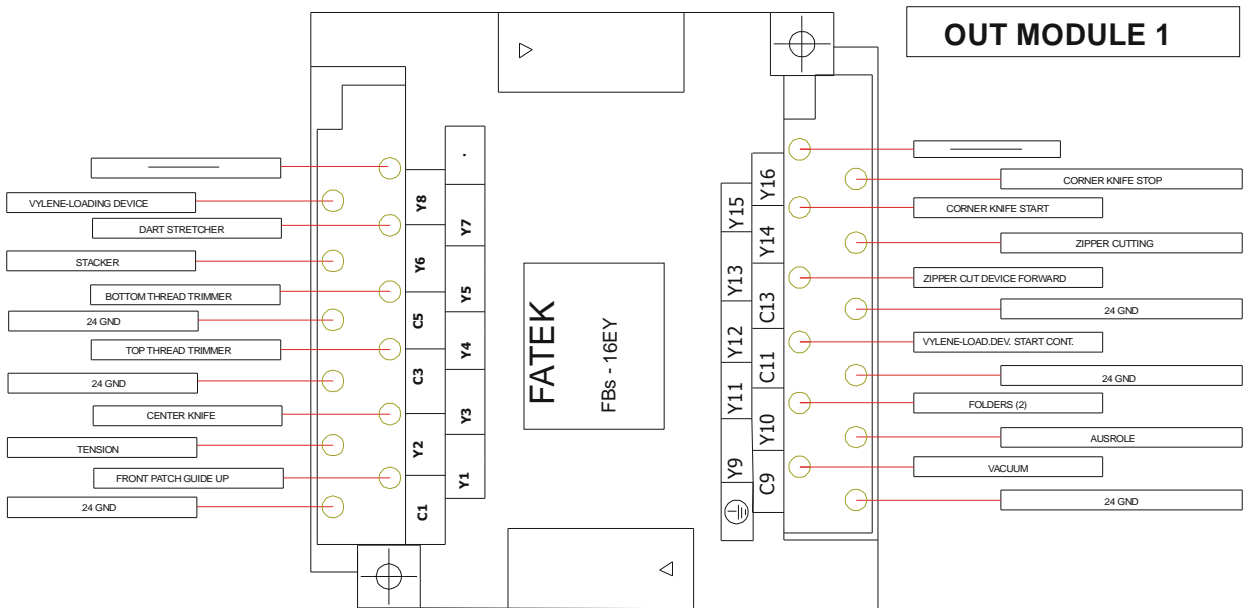


Revised 10/2006

**PNEUMATIC SECTIONS**

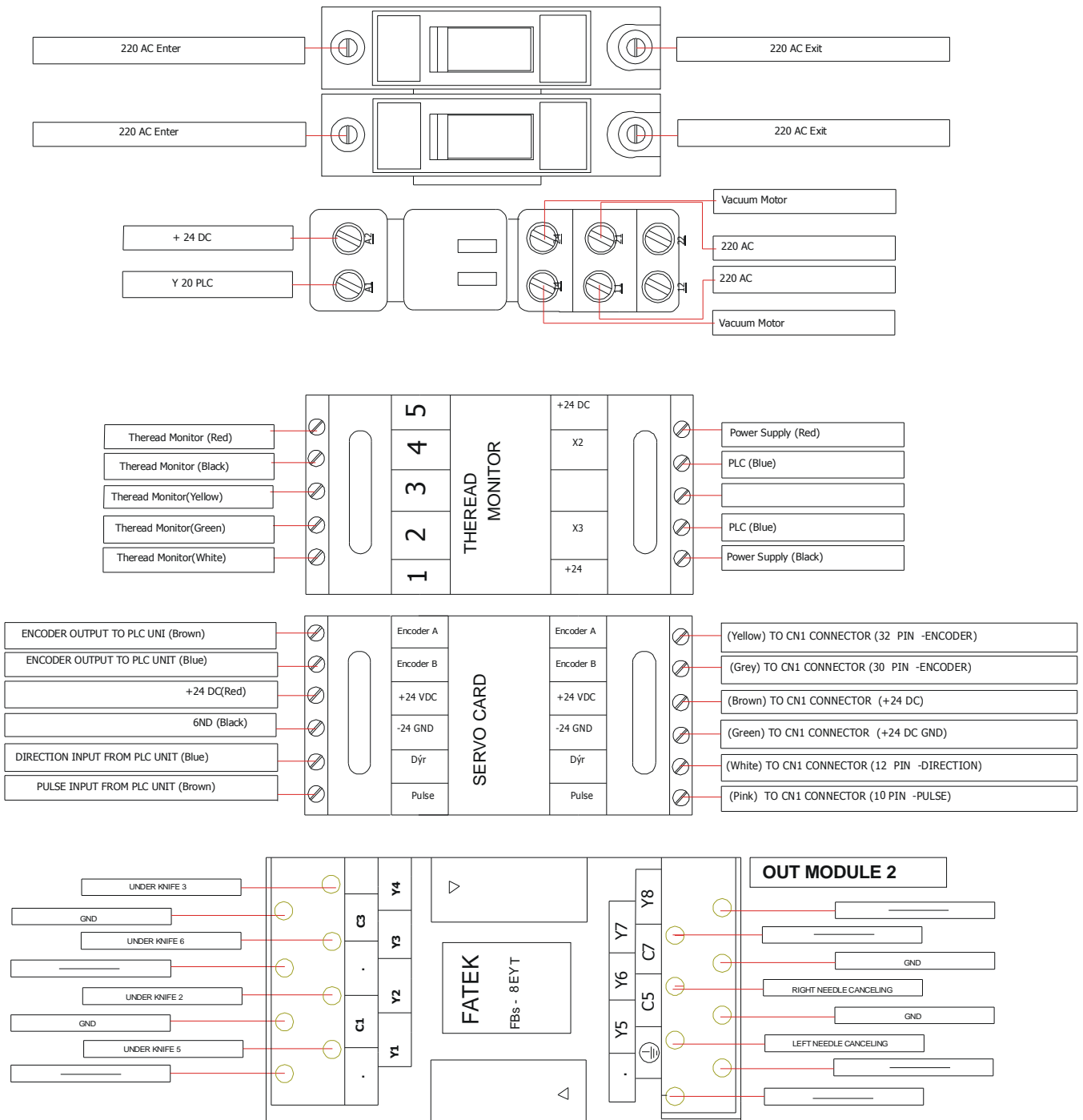
DET	PART NUMBER	DESCRIPTION	QTY
1	68.0037.0.004		
2	68.0037.0.005		
3	68.0037.0.007		

# ELECTRONIC BOX





# ELECTRONIC BOX

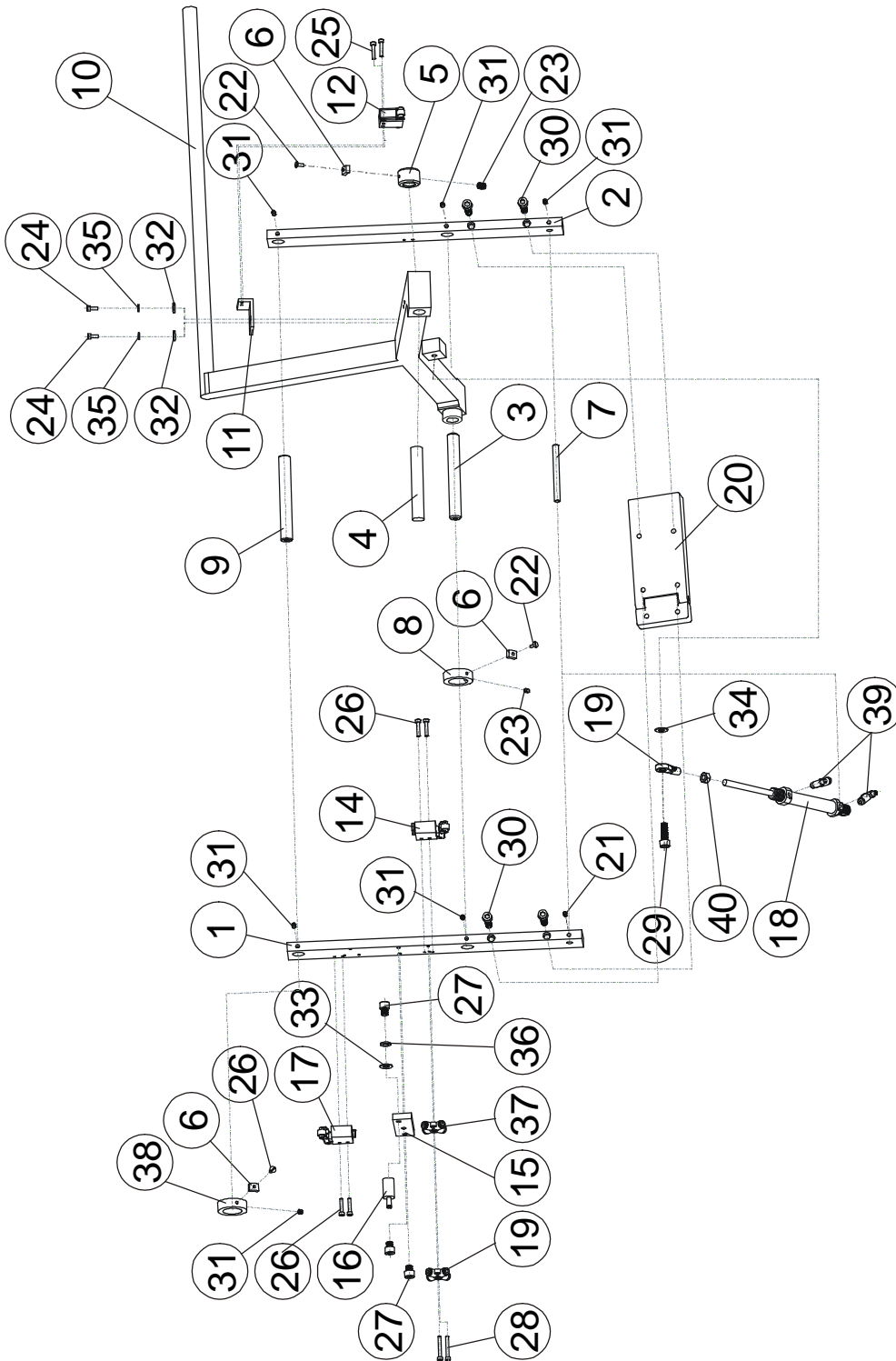






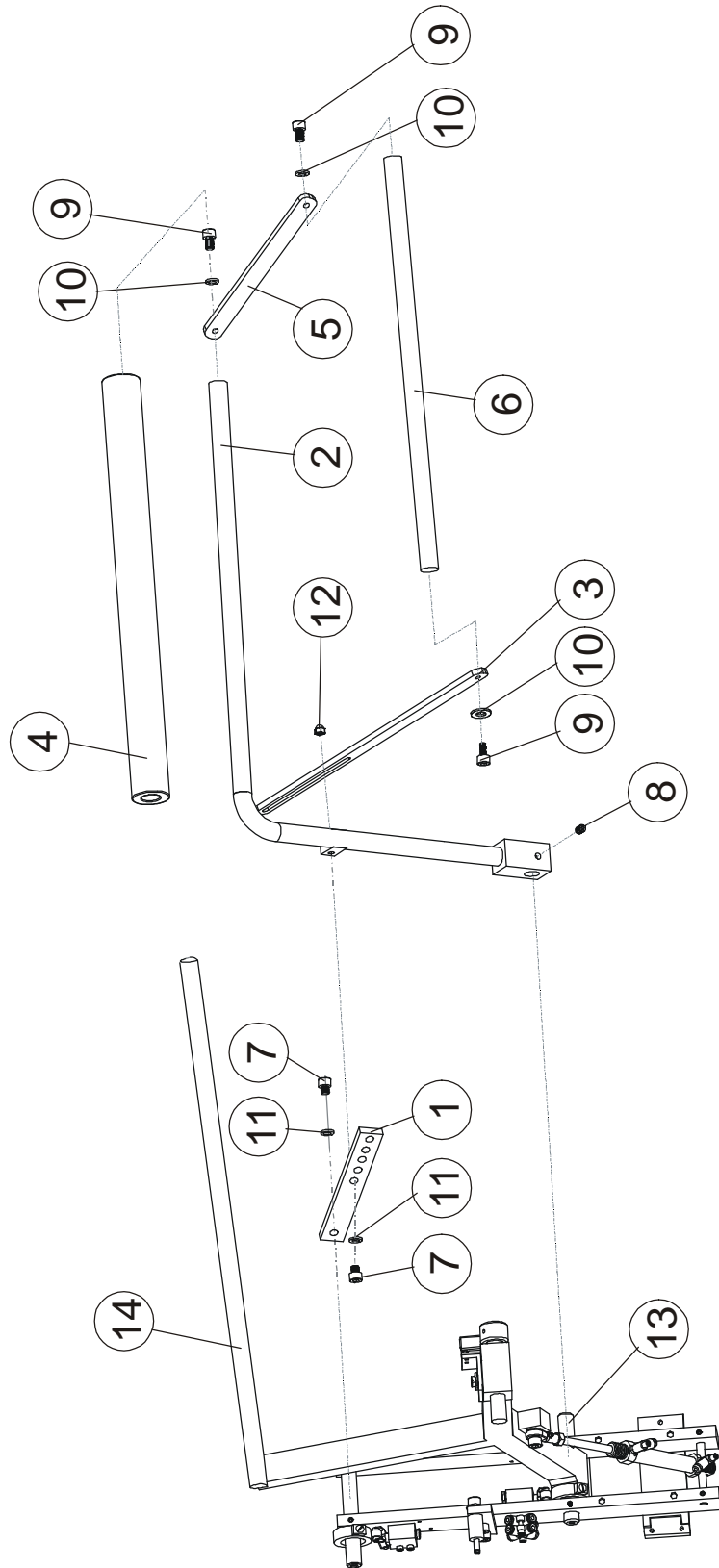
# **STACKER SECTION**

# STACKER





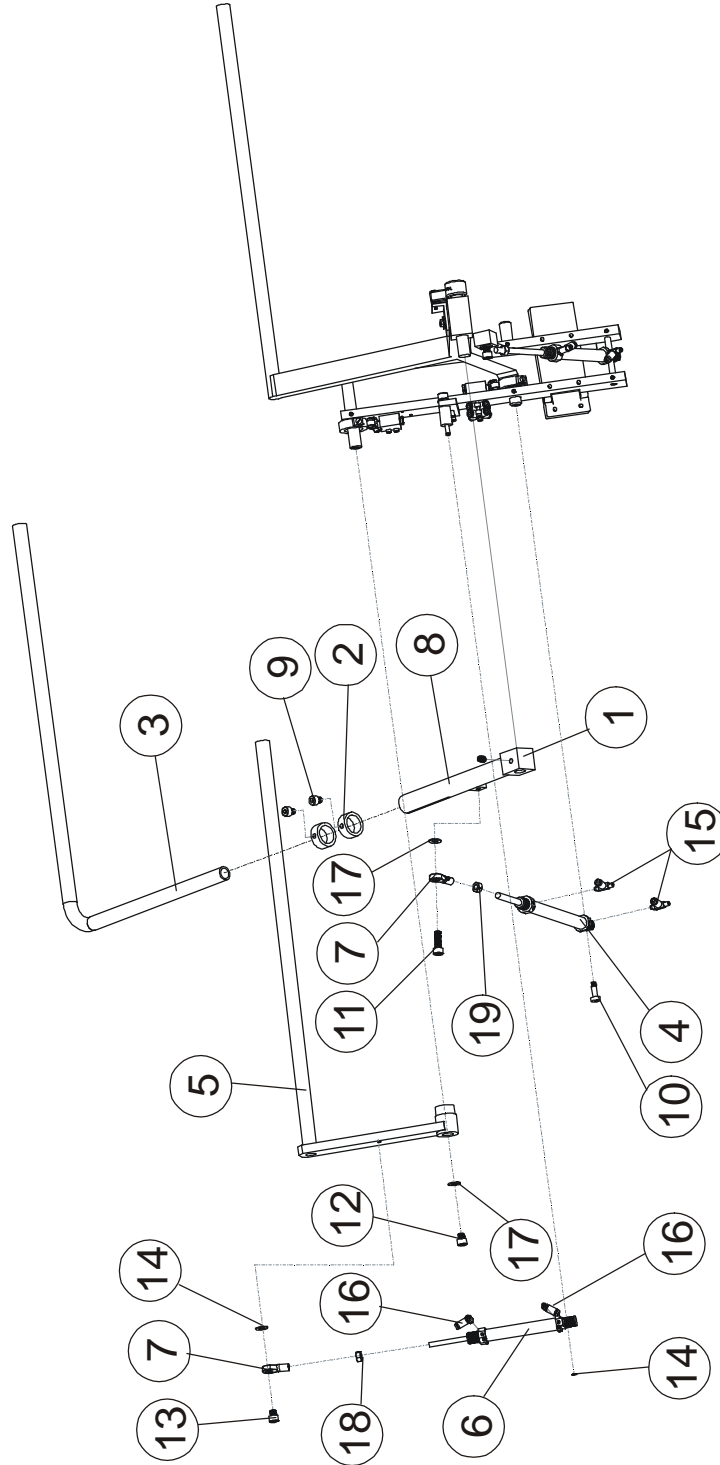
# STACKER



## STACKER

DET	PART NUMBER	DESCRIPTION	QTY
1	68.0034.0.020	Lengthening Arm	1
2	68.0034.0.021	Fixed Arm	1
3	68.0034.0.022	Fixed Arm Setting Part	1
4	68.0034.0.023	Tube Rubber	1
5	68.0034.0.024	Fixed Arm Short Setting Part	1
6	68.0034.0.025	Fixed Arm Part	1
7	09.0815.0.001	Screw M8x15 Inbus	2
8	09.0808.0.002	Screw M8x8 Setiskur	1
9	09.0615.0.001	Screw M6x15 Inbus	3
10	09.0006.0.011	Washer ø6	3
11	09.0008.0.011	Washer ø8	2
12	09.0008.0.010	Nut M8 Stopper	1
13	68.0034.0.003	Pin	1
14	68.0034.0.009	Clamp Arm	1

# STACKER

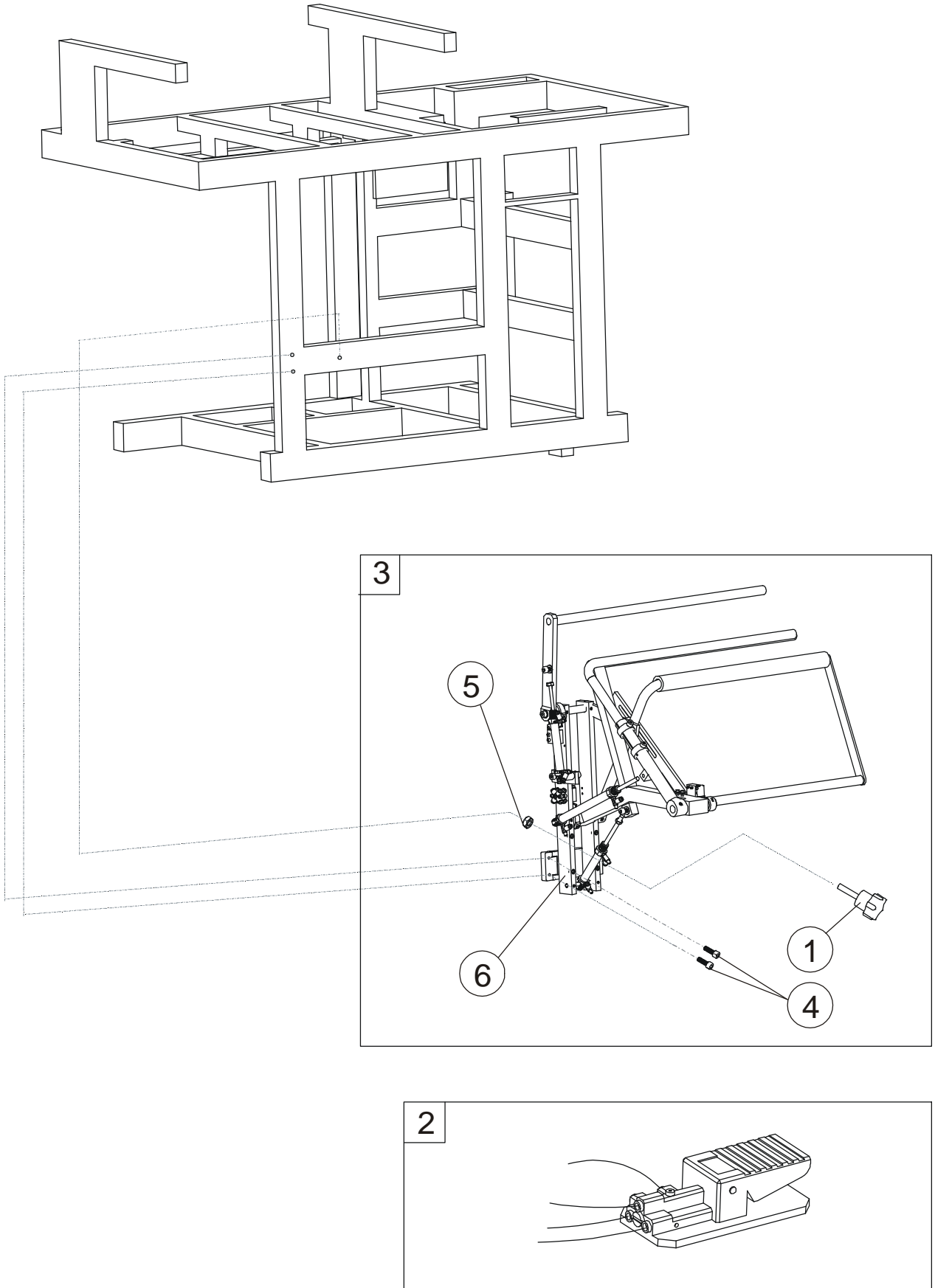




**STACKER**

DET	PART NUMBER	DESCRIPTION	QTY
1	68.0034.0.026	Connective Tube	1
2	68.0034.0.027	Bracelent	2
3	68.0034.0.028	Tube	1
4	68.0034.0.029	Pneumatic Cylinder ø20 S150	1
5	68.0034.0.030	Spead Arm	1
6	68.0034.0.031	Pneumatic Cylinder ø16 S50	1
7	68.0034.0.040	Joint	2
8	09.0606.0.002	Screw M6x6 Setiskur	1
9	09.0810.0.001	Screw M8x10 Inbus	2
10	09.0615.0.001	Screw M6x15 Inbus	1
11	09.0830.0.001	Screw M8x30 Inbus	1
12	09.0815.0.001	Screw M8x15 Inbus	1
13	09.0620.0.001	Screw M6x20 Inbus	1
14	09.0006.0.026	Spangle	1
15	09.0018.0.021	Pneumatic Speed Control M1/8	2
16	09.0005.0.021	Pneumatic Speed Control M5	2
17	09.0006.0.011	Washer ø6	2
18	09.0006.0.010	Nut M6	1
19	09.0008.0.010	Nut M8	1

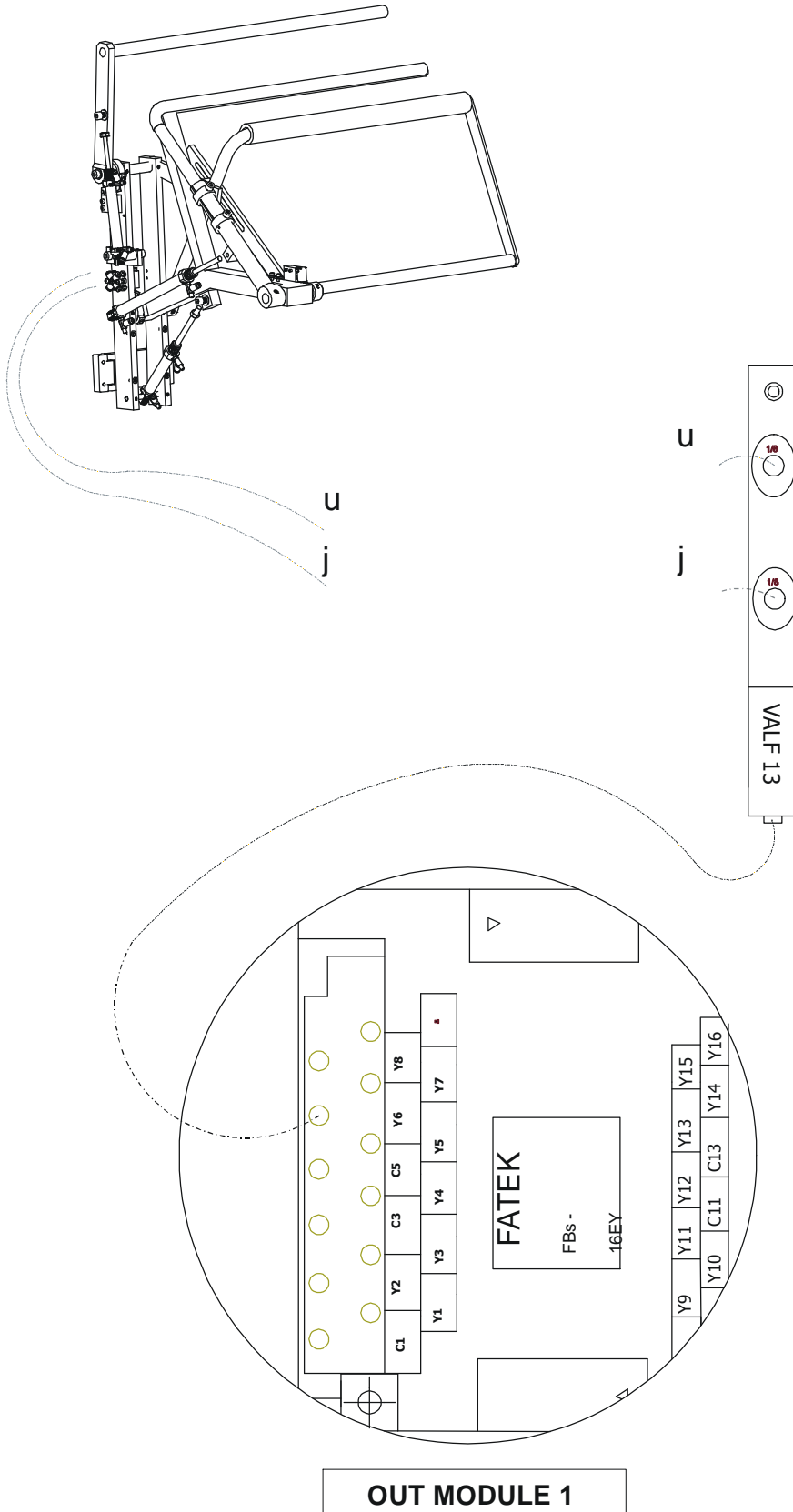
# STACKER



**STACKER**

DET	PART NUMBER	DESCRIPTION	QTY
1	68.0034.0.061	Latch M6 Mace	1
2	68.0034.0.062	Foot Pedal	1
3	68.0034.0.065	Stacker Comple Unit	1
4	09.0625.0.001	Screw M6x25 Inbus	2
5	09.0006.0.013	Nut M6 Fibre	1
6	68.0034.0.060	Hingle	1

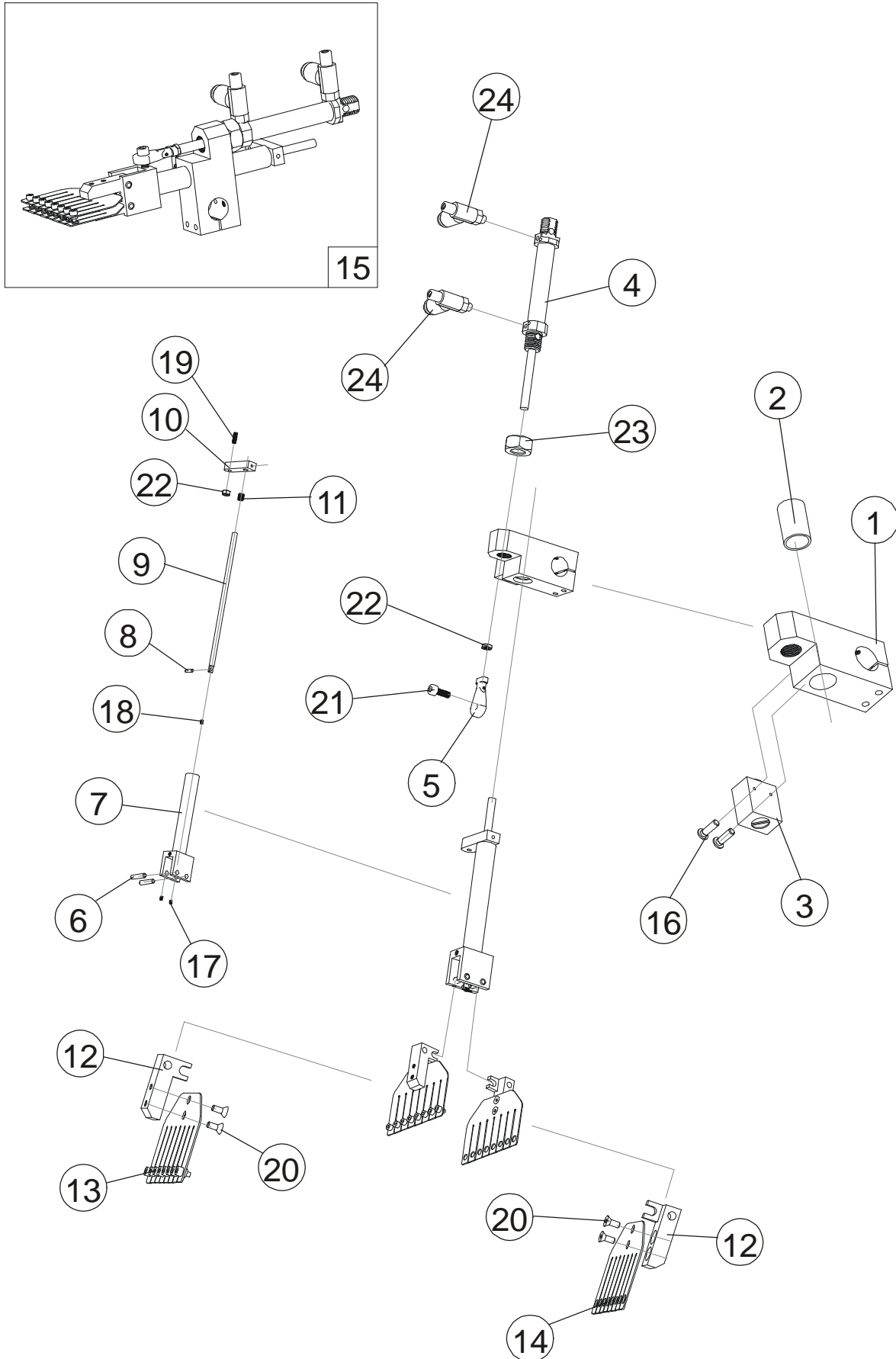
# STACKER





# **HAND STACKER SECTION**

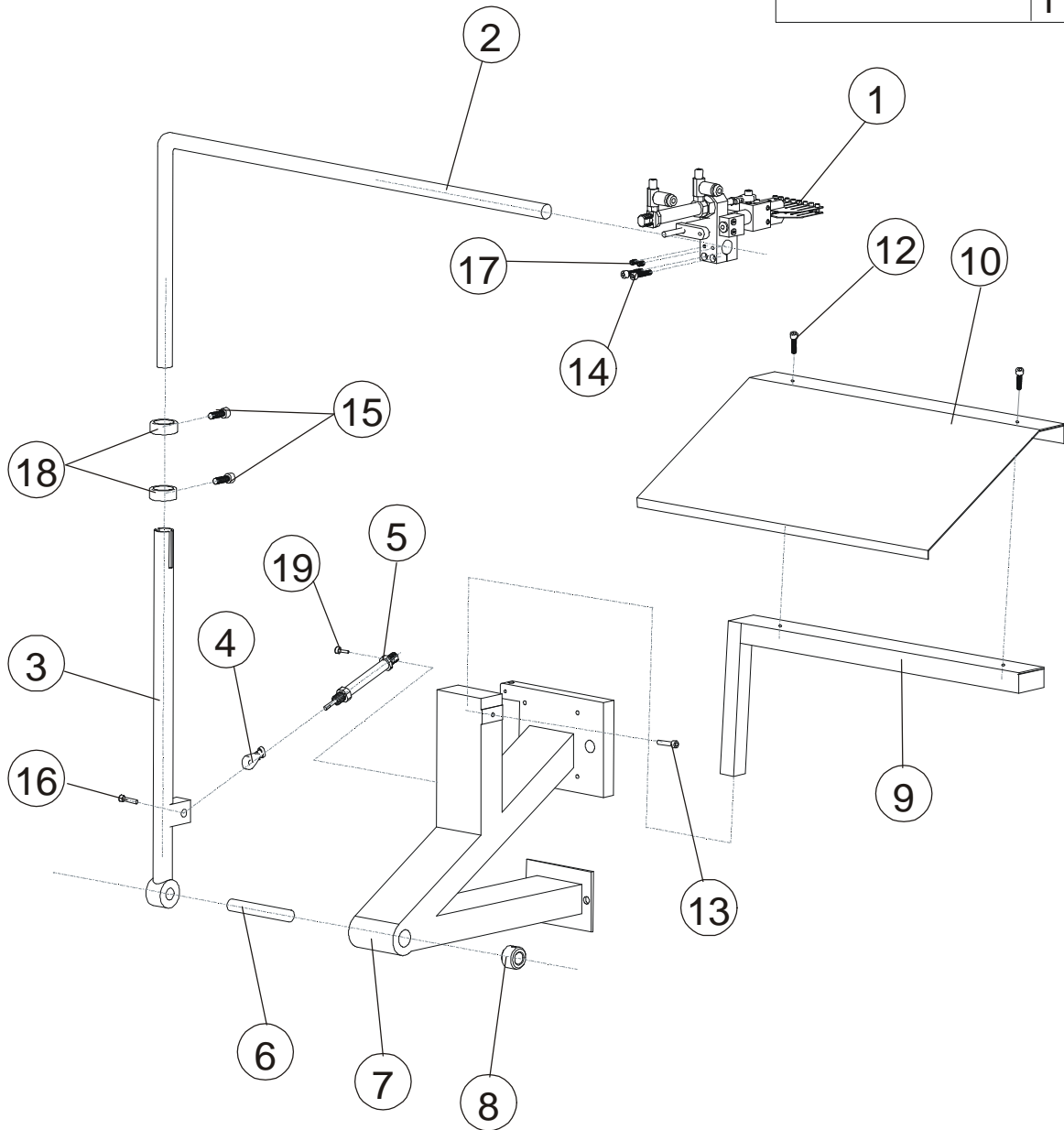
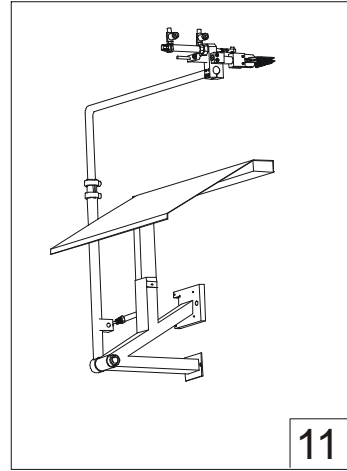
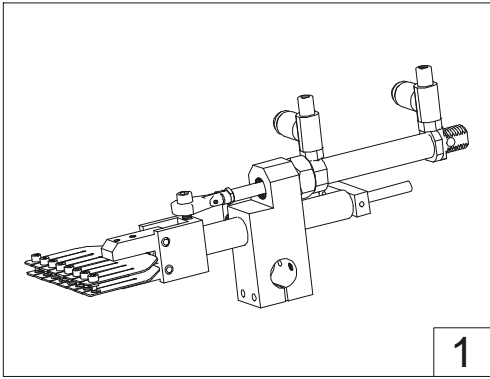
# HAND STACKER UNIT



## HAND STACKER UNIT

DET	PART NUMBER	DESCRIPTION	QTY
1	68.0062.0.001	Hand Stacker Main Part	1
2	68.0062.0.002	Special Ball Bearing Ø16	1
3	68.0062.0.003	Swieth	1
4	68.0062.0.004	Piston R16x80	1
5	68.0062.0.005	M6 Joint	1
6	68.0062.0.006	Pim (Middle)	2
7	68.0062.0.007	Active Part	1
8	68.0062.0.008	Pim (Little)	1
9	68.0062.0.009	Trigger Pim	1
10	68.0062.0.010	Trigger	1
11	68.0062.0.011	Spring	1
12	68.0062.0.012	Sheet Iron Holder	2
13	68.0062.0.013	Up Sheet Iron	1
14	68.0062.0.014	Down Sheet Iron	1
15	68.0062.0.020	Hand Stacker Unit	1
16	09.0425.0.001	Screw Inbus M4X25	2
17	09.0305.0.002	Screw Setiskur M3X5	2
18	09.0406.0.002	Screw Setiskur M4X6	1
19	09.0616.0.002	Screw Setiskur M6X16	1
20	09.0512.0.003	Screw Counterbore Inbus M5X12	4
21	09.0616.0.003	Screw Counterbore Inbus M6X16	1
22	09.0006.0.010	Nut M6	2
23	09.0016.0.010	Nut M16	4
24	09.0000.0.021	Fitting	2

# HAND STACKER UNIT

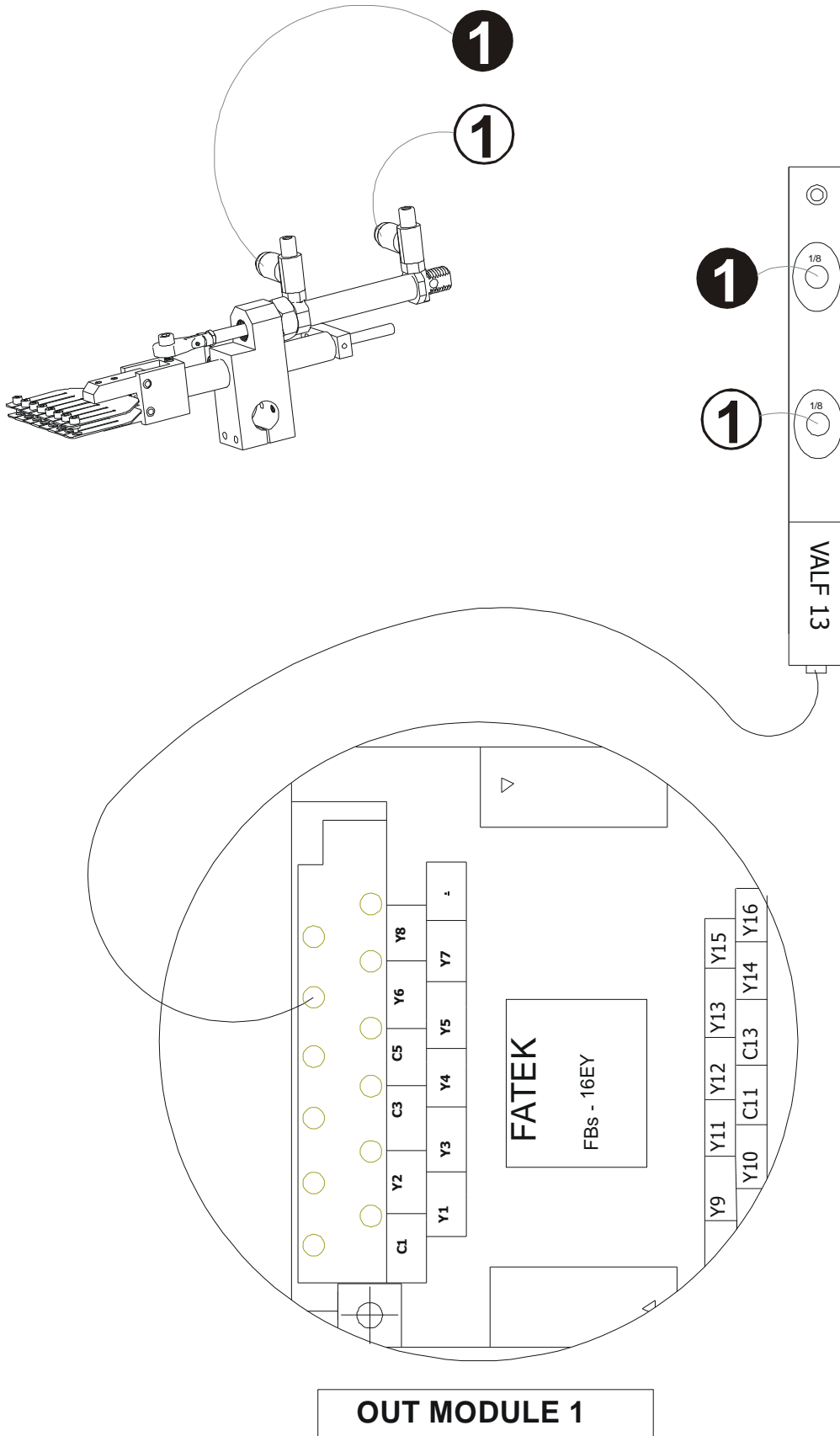




## HAND STACKER UNIT

DET	PART NUMBER	DESCRIPTION	QTY
1	68.0062.0.020	Hand Stacker Unit	1
2	68.0062.0.021	Hand Stacker Unit Holder	1
3	68.0062.0.022	Piston Connection Part	1
4	68.0062.0.023	Joint	1
5	68.0062.0.024	Piston	1
6	68.0062.0.025	Connection Pim	1
7	68.0062.0.026	Main Part	2
8	68.0062.0.027	Ball Bearing	1
9	68.0062.0.028	Stacker Sheet Iron Holder	4
10	68.0062.0.029	Stacker Sheet Iron	1
11	68.0062.0.030	Hand Stacker Comple Unit	2
12	09.0410.0.001	Screw Inbus M4X10	2
13	09.0610.0.001	Screw Inbus M6X10	1
14	09.0630.0.001	Screw Inbus M6X30	2
15	09.0810.0.001	Screw Inbus M8X10	2
16	09.0825.0.001	Screw Inbus M8X25	1
17	09.0610.0.002	Screw Setiskur M6X10	2
18	09.0025.0.023	Ball Bearing Ø25	2
19	09.0620.0.033	Screw Other M6X20 (Stopper)	1

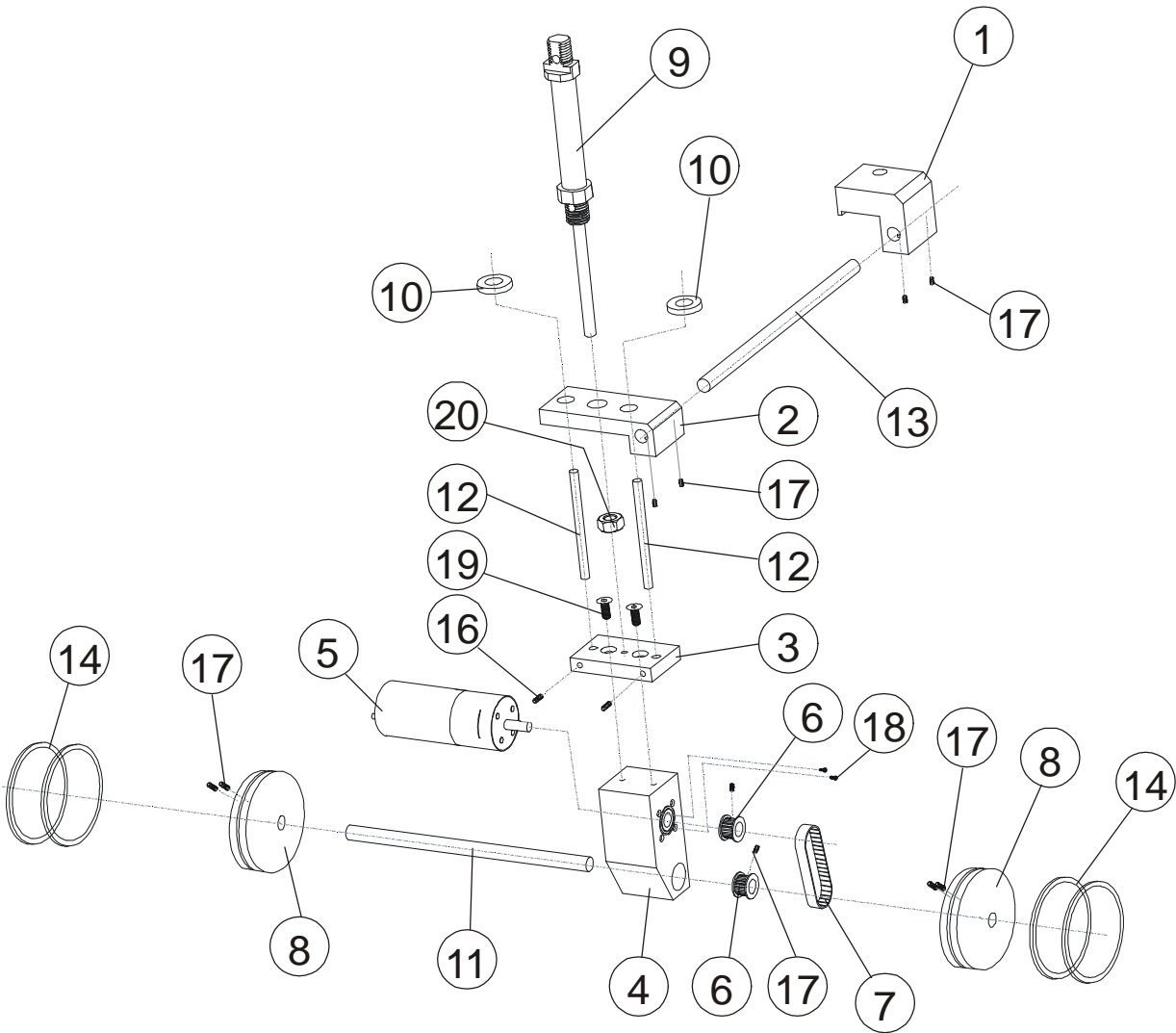
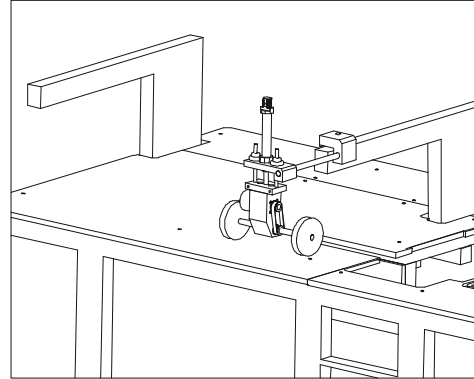
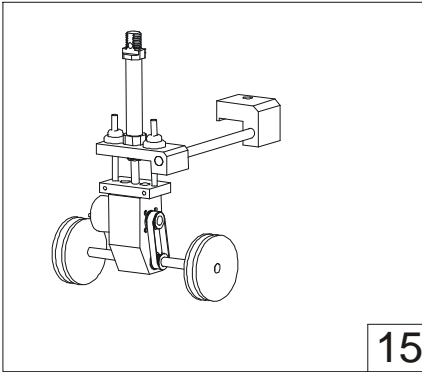
# HAND STACKER UNIT





# **AUSROLE SECTION**

# AUSROLE UNIT

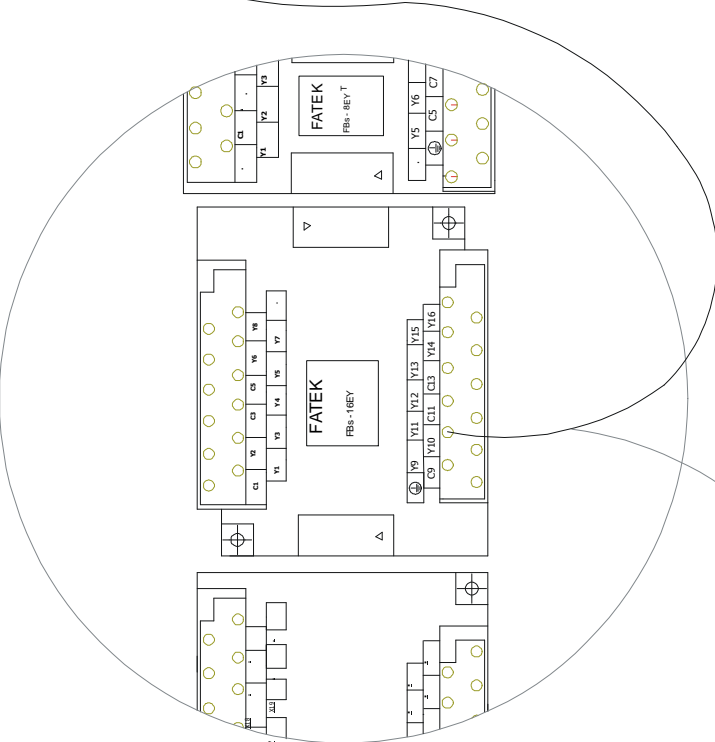
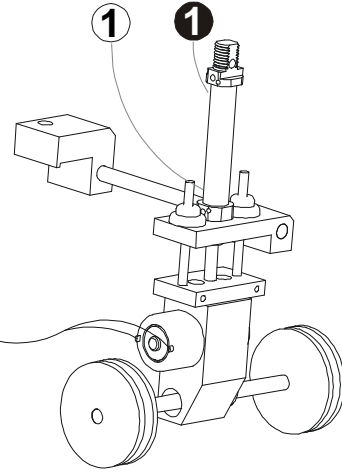
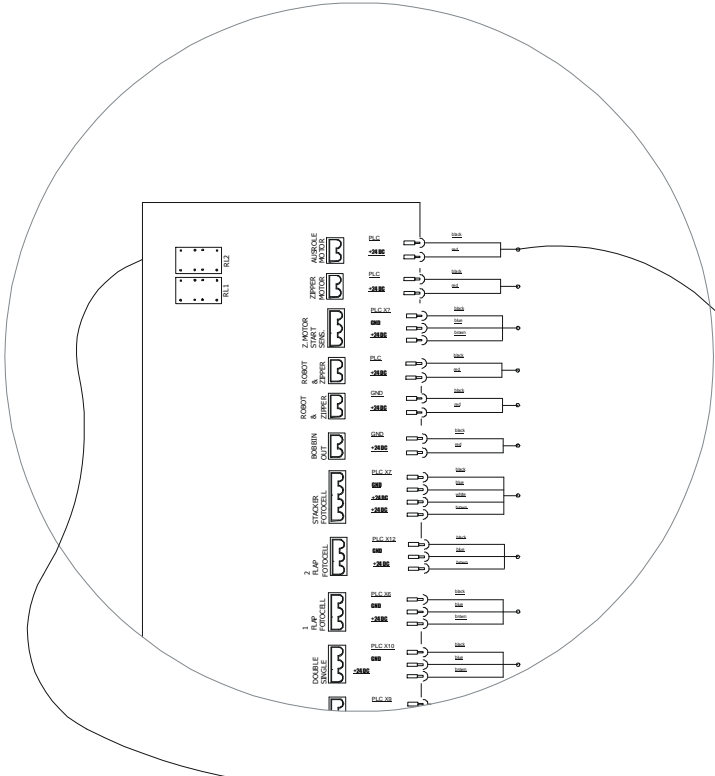


## AUSROLE UNIT

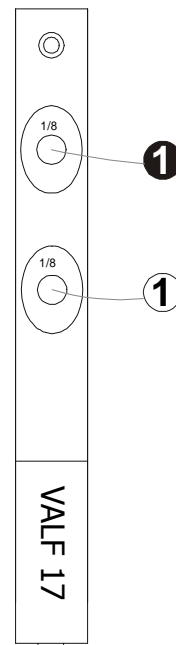
DET	PART NUMBER	DESCRIPTION	QTY
1	68.0019.0.001	Ausrole Connection Part	1
2	68.0019.0.002	Piston Connection Part	1
3	68.0019.0.003	Main Body Part	1
4	68.0019.0.004	Main Body	1
5	68.0019.0.005	Motor	1
6	68.0019.0.006	Belt Wheel	2
7	68.0019.0.007	Belt	1
8	68.0019.0.008	Ausrole Wheel	2
9	68.0019.0.009	Piston 16x50	1
10	68.0019.0.010	Rulman (inside diameter 6)	2
11	68.0019.0.011	Mile	1
12	68.0019.0.012	Mile	2
13	68.0019.0.013	Mile	1
14	68.0019.0.014	Ausrole Wheel Rubber	4
15	68.0060.0.020	Ausrole Unit	1
16	09.0005.0.002	Screw Setiskur M5	2
17	09.0006.0.002	Screw Setiskur M6	10
18	09.0003.0.003	Screw Counterbore Inbus M3	4
19	09.0005.0.003	Screw Counterbore Inbus M5	2
20	09.0016.0.010	Nut M16	1

# AUSROLE UNIT

CONNECTOR CARD



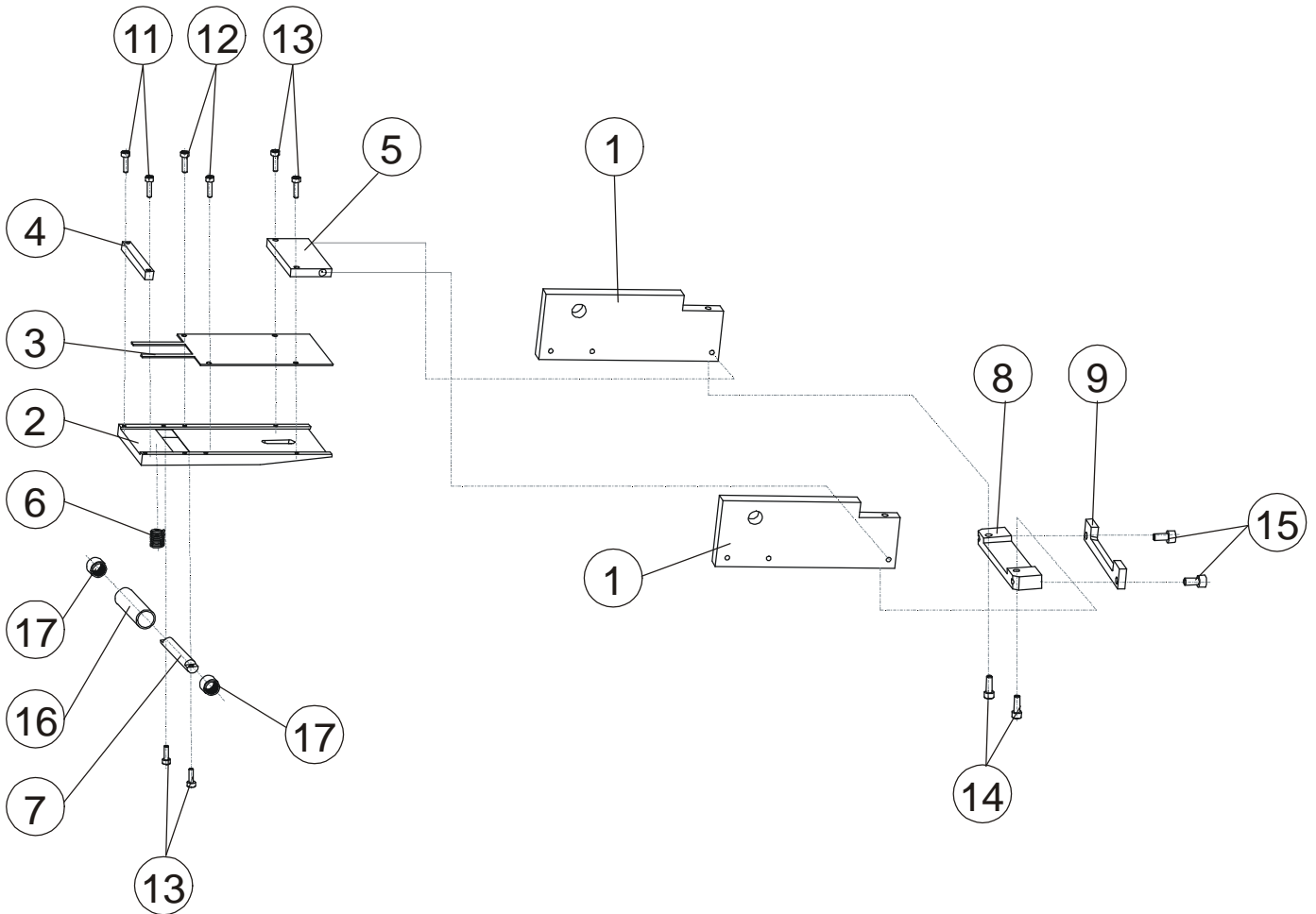
OUT MODULE 1





# **AUTOMATIC LOADING AND CUTTING DEVICE FOR INT. SECTION**

# AUTOMATIC LOADING AND CUTTING

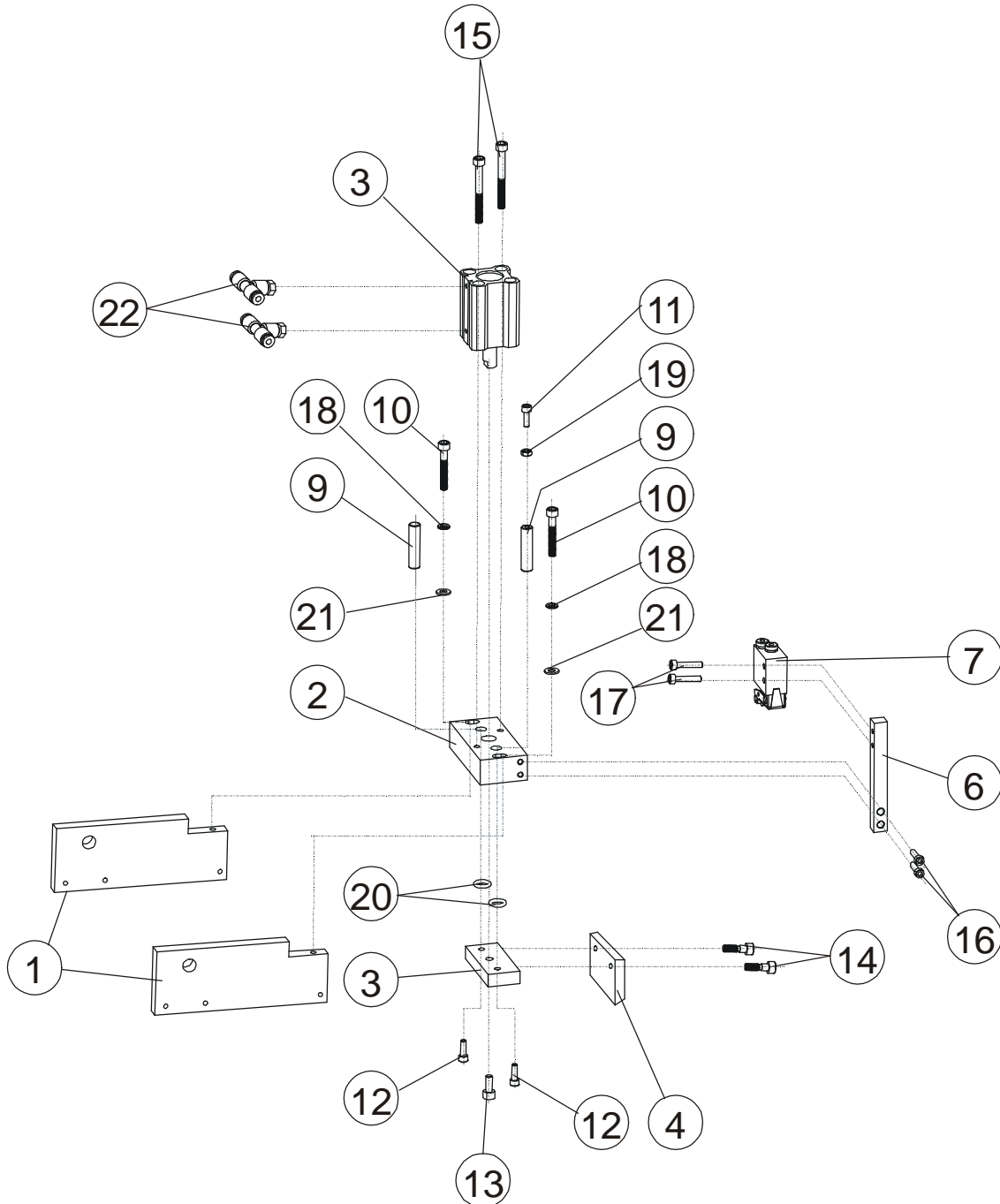




**AUTOMATIC LOADING AND CUTTING**

DET	PART NUMBER	DESCRIPTION	QTY
1	68.0029.0.006	Bearing Bracket	2
2	68.0029.0.007	Guide	1
3	68.0029.0.008	Cover Plate	1
4	68.0029.0.009	Holder	1
5	68.0029.0.010	Holder	1
6	68.0029.0.011	Spring	1
7	68.0029.0.012	Pin	1
8	68.0029.0.013	Holder	1
9	68.0029.0.014	Holder	1
11	09.0312.0.001	Screw M3x12 Inbus	2
12	09.0308.0.001	Screw M3x8 Inbus	2
13	09.0312.0.001	Screw M3x12 Inbus	4
14	09.0415.0.001	Screw M4x15 Inbus	2
15	09.0515.0.001	Screw M5x15 Inbus	2
16	09.0000.0.022	Bush	1
17	09.0000.0.023	Ball Bearing	2

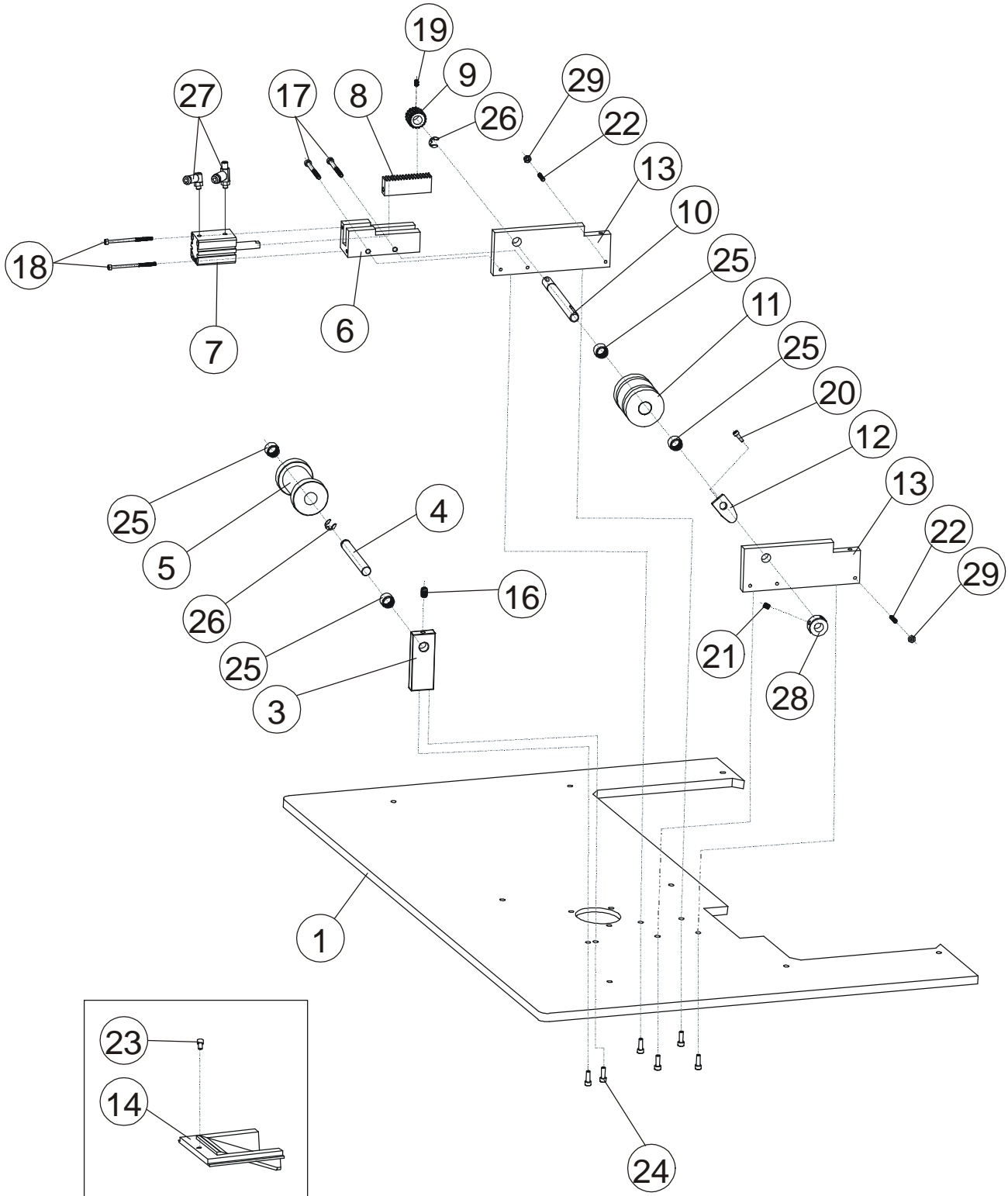
# AUTOMATIC LOADING AND CUTTING



**AUTOMATIC LOADING AND CUTTING**

DET	PART NUMBER	DESCRIPTION	QTY
1	68.0029.0.006	Bearing Bracket	2
2	68.0029.0.015	Piston Plate	1
3	68.0029.0.016	Knife Holder	1
4	68.0029.0.017	Knife	1
5	68.0029.0.018	Piston Short ø20 S30	1
6	68.0029.0.019	Switch Connection Part	1
7	68.0029.0.020	Switch	1
9	68.0029.0.040	Pin	2
10	09.0530.0.001	Screw M5x30 Inbus	2
11	09.0415.0.001	Screw 4x15 Inbus	1
12	09.0412.0.001	Screw M4x12 Inbus	2
13	09.0512.0.001	Screw M5x12 Inbus	1
14	09.0515.0.001	Screw M5x15 Inbus	2
15	09.0555.0.001	Screw M5x55 Inbus	2
16	09.0420.0.001	Screw M4x20 Inbus	2
17	09.0425.0.001	Screw M4x25 Inbus	2
18	09.0005.0.026	Spangle ø5	2
19	09.0006.0.010	Nut M6	1
20	09.0004.0.011	Washer ø4	2
21	09.0005.0.011	Washer ø5	2
22	09.0524.0.021	Fitting T M5 2/4	2

# AUTOMATIC LOADING AND CUTTING

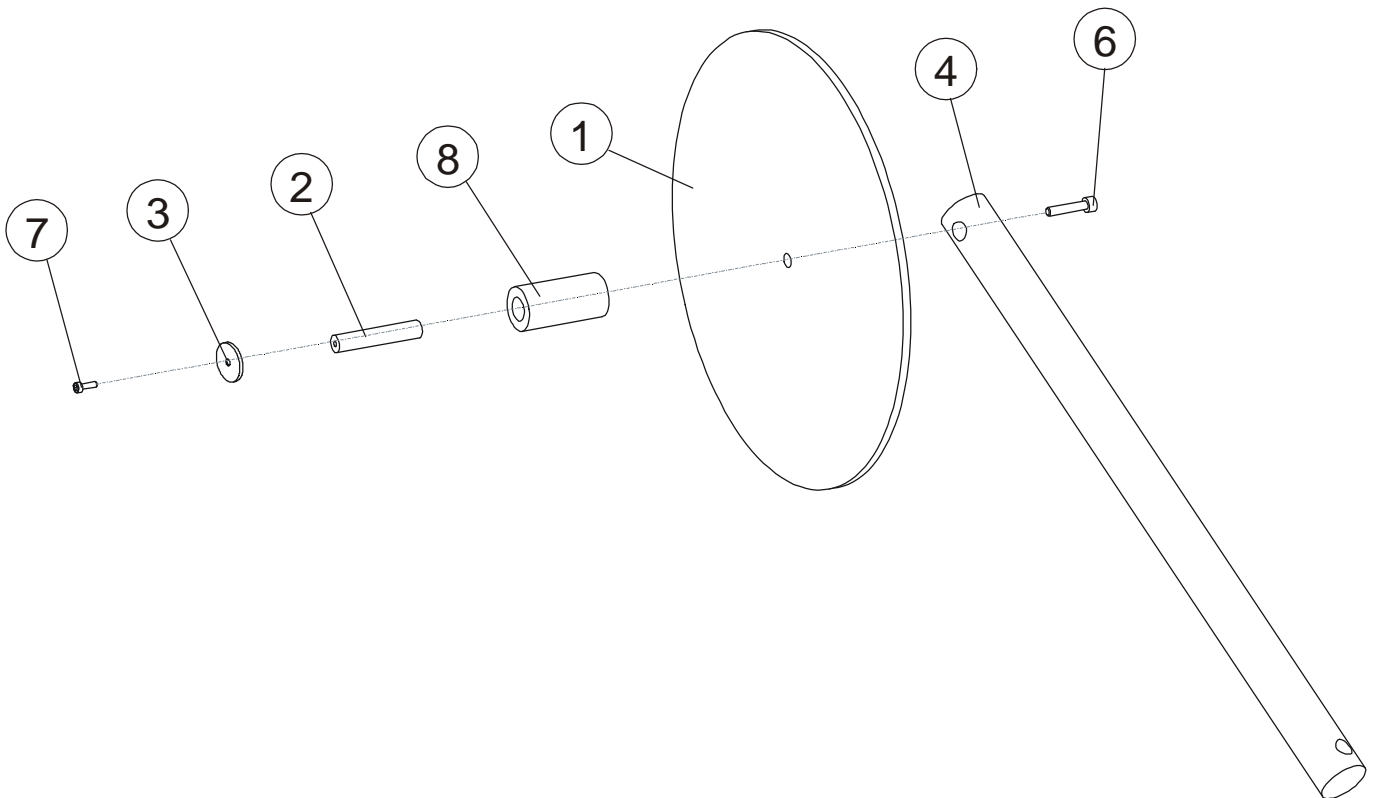
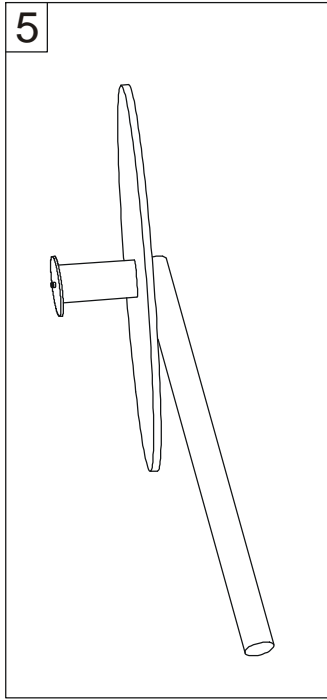


**AUTOMATIC LOADING AND CUTTING**

DET	PART NUMBER	DESCRIPTION	QTY
1	68.0014.0.060	Wood Table (Part 1)	1
3	68.0029.0.002	Bracket	1
4	68.0029.0.040	Pin	1
5	68.0029.0.041	Drive Shaft	1
6	68.0029.0.003	Moving Arm	1
7	68.0029.0.042	Piston short ø25 S30	1
8	68.0029.0.004	Linear Gear	1
9	68.0029.0.005	Circle Gear	1
10	68.0029.0.043	Shaft	1
11	68.0029.0.044	Drive Shaft	1
12	68.0029.0.045	Joint	1
13	68.0029.0.006	Bearing Bracket	2
14	68.0029.0.021	Guide	1
15	68.0029.0.028	Complete Unit of inter Facing Device	1
16	09.0610.0.002	Screw M6x10 Setiskur	1
17	09.0530.0.001	Screw M5x30 Inbus	2
18	09.0350.0.001	Screw M3x50 Inbus	2
19	09.0404.0.002	Screw M4x4 Setiskur	1
20	09.0310.0.001	Screw M3x10 Inbus	1
21	09.0510.0.002	Screw M5x10 Setiskur	1
22	09.0415.0.002	Screw M4x15 Setiskur	2
23	09.0404.0.001	Screw M4x4 Inbus	1
24	09.0415.0.003	Screw M4x15 Counterbore Inbus	6
25	09.0000.0.023	Ball Bearing	4
26	09.0000.0.025	Segment	2
27	09.0524.0.021	Fitting M5 2/4	2
28	09.0000.0.022	Bush	1
29	09.0004.0.010	Nut M4	2

# AUTOMATIC LOADING AND CUTTING

---





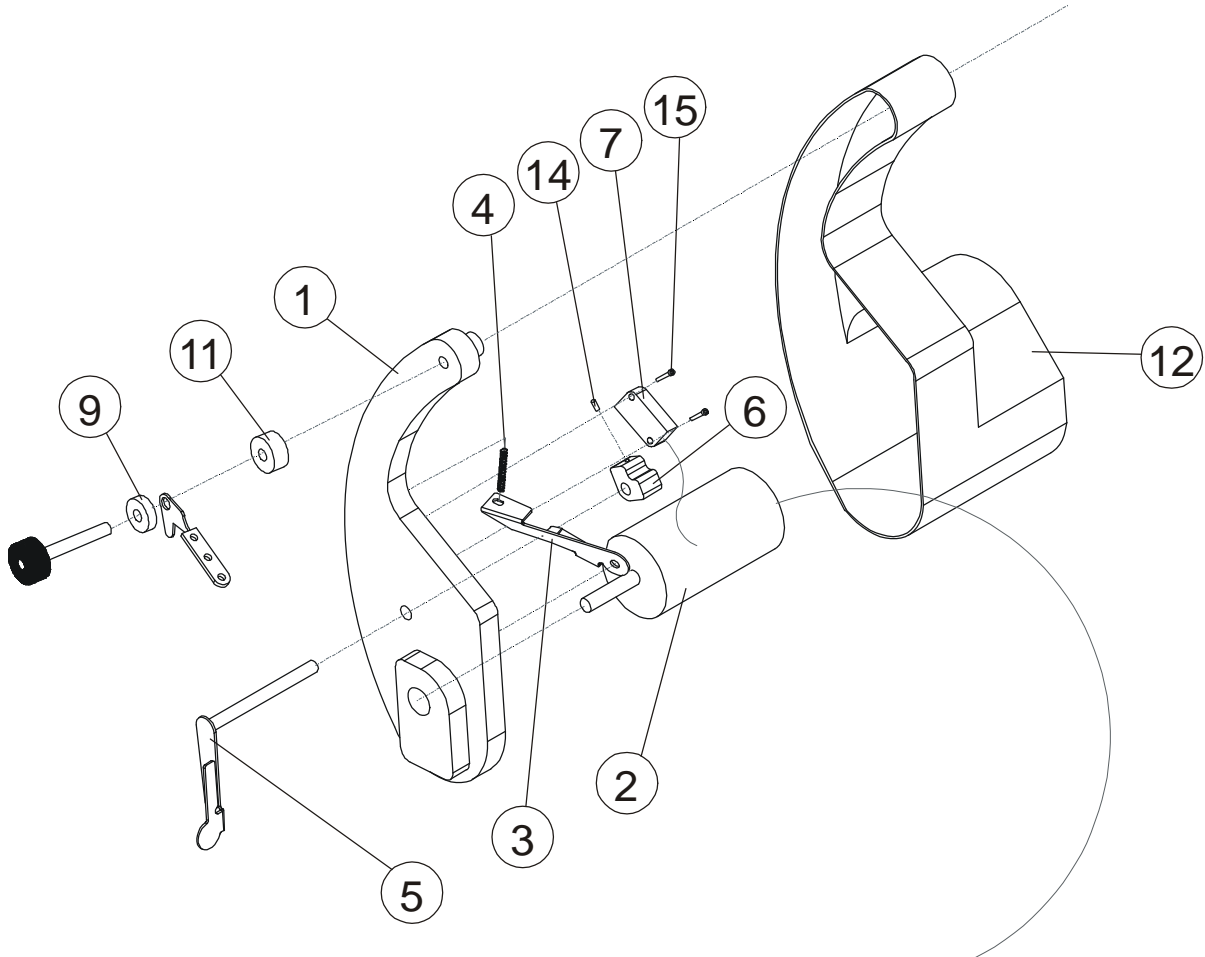
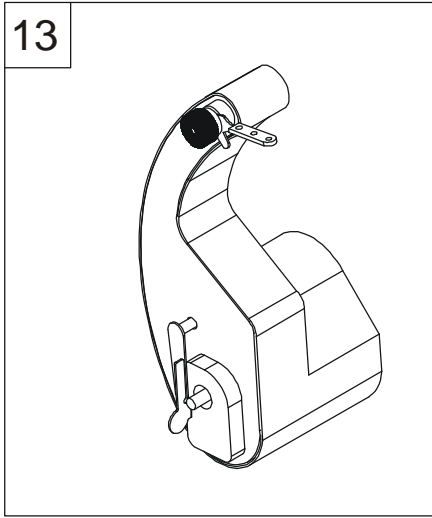






# **BOBBIN LOADING SECTION**

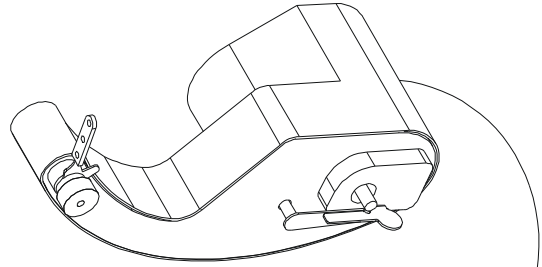
# BOBBIN LOADING SECTION



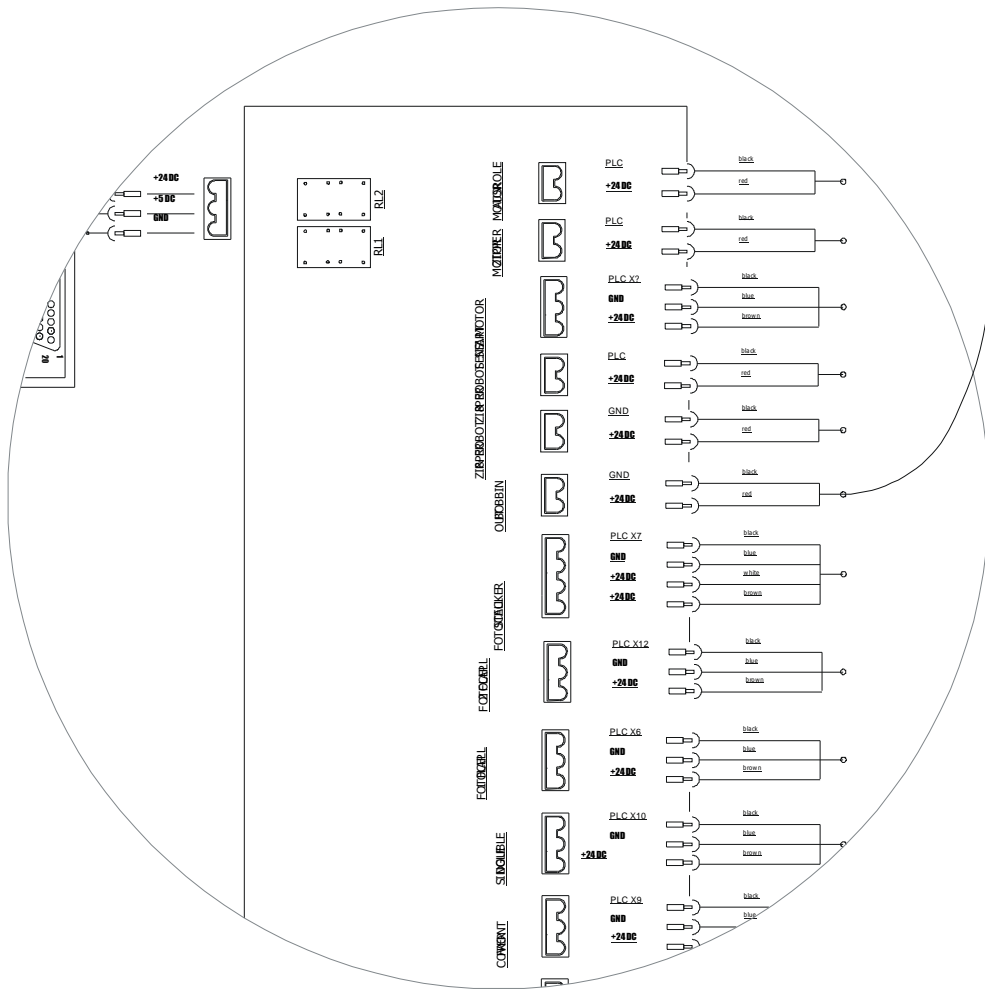
**BOBBIN LOADING SECTION**

<b>DET</b>	<b>PART NUMBER</b>	<b>DESCRIPTION</b>	<b>QTY</b>
1	68.0022.0.001	Main Bord Of Bobin Unit	1
2	68.0022.0.002	Bobin Motor	1
3	68.0022.0.003	Motor Stop Arm	1
4	68.0022.0.004	Spring	1
5	68.0022.0.005	Start Arm	1
6	68.0022.0.006	Eccentric	1
7	68.0022.0.007	Motor Control Swich	1
8	68.0022.0.008	Tension Adjusment Screw	1
9	68.0022.0.009	Seguin	1
10	68.0022.0.010	Tension Thread Arm	1
11	68.0022.0.011	Seguin	1
12	68.0022.0.012	Main Burd Cover	1
13	68.0022.0.013	Complate Unit Of Bobin Loading	1
14	09.0605.0.004	Screw 6x5 Setiskur	1
15	09.0315.0.004	Screw 3x15 Inbus	1

# BOBBIN LOADING SECTION



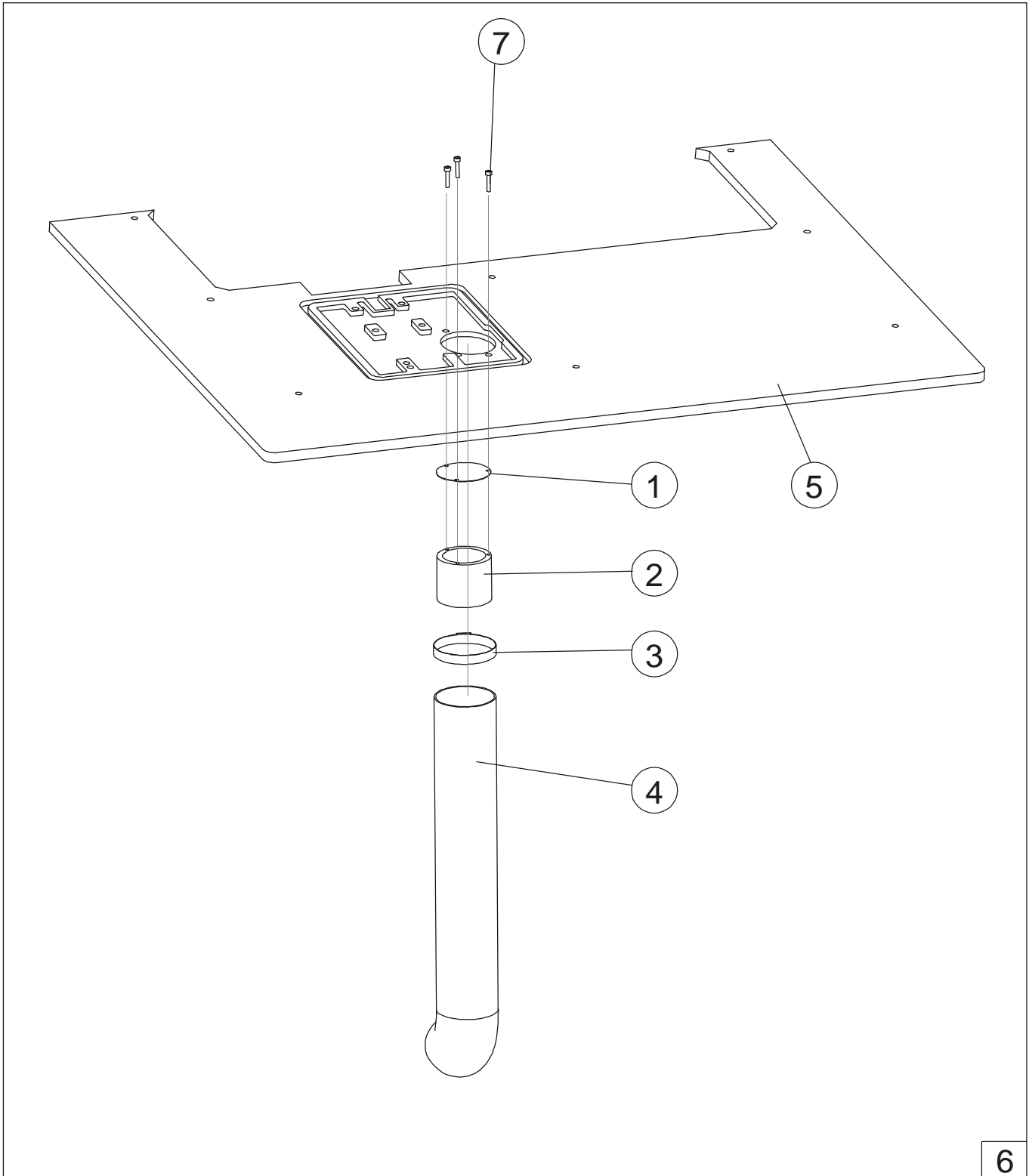
## CONNECTOR CARD





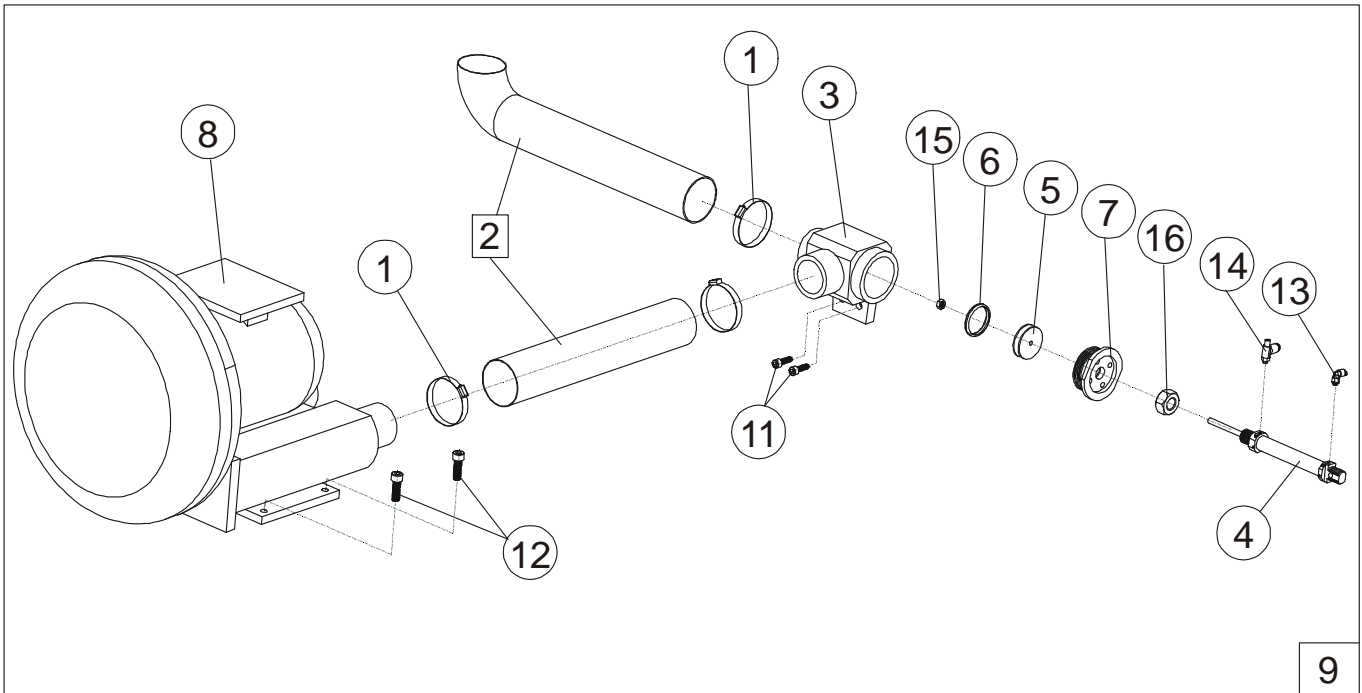
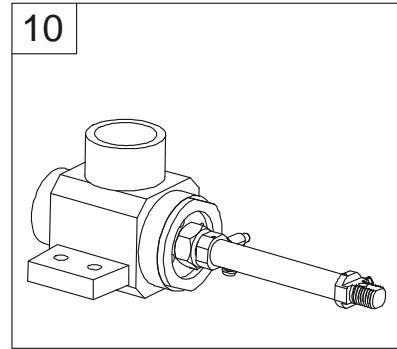
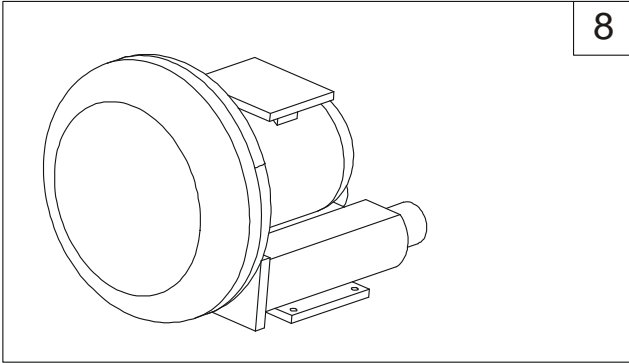
# **VACUUM SECTION**

# VACUUM SECTION





# VACUUM SECTION

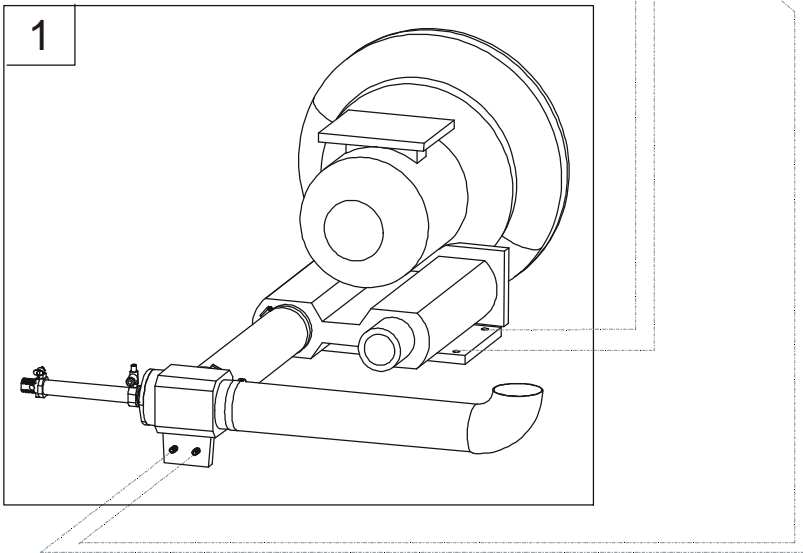
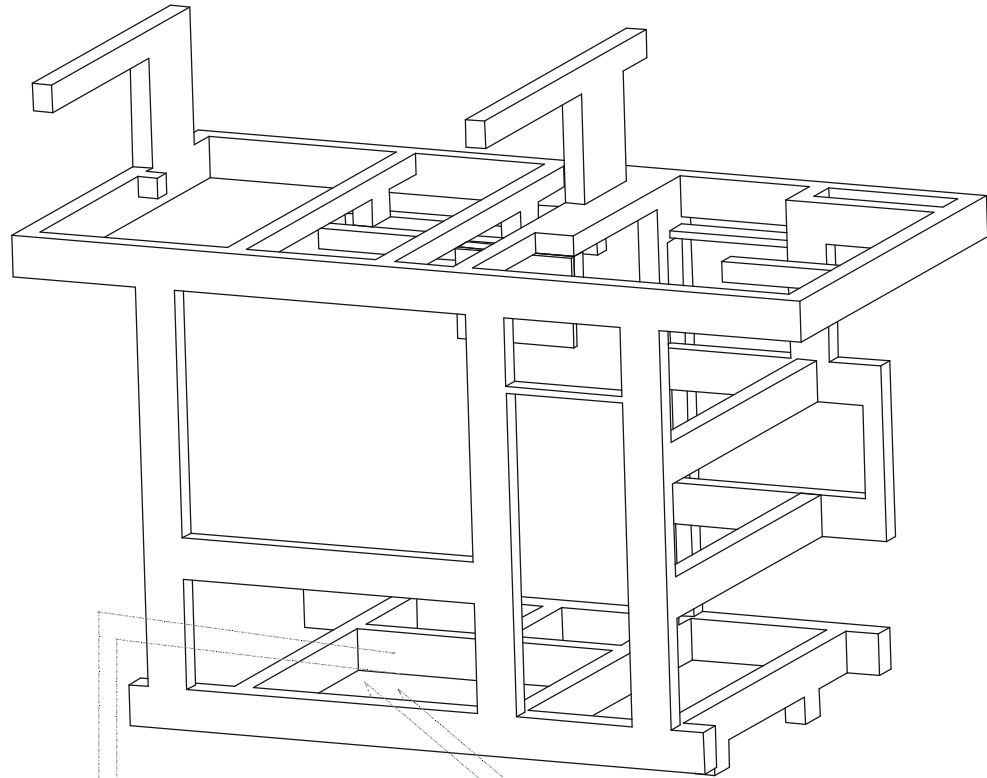




**VACUUM SECTION**

DET	PART NUMBER	DESCRIPTION	QTY
1	68.0033.0.004	Clips	3
2	68.0033.0.005	Tubig	2
3	68.0033.0.010	Holder	1
4	68.0033.0.011	Piston ø16 S80	1
5	68.0033.0.013	Disc	1
6	68.0033.0.014	Rubber Strip	1
7	68.0033.0.015	Holder	1
8	68.0033.0.016	Vacuum Motor	1
9	68.0033.0.019	Vacuum Motor and Connection Comple Unit	1
10	68.0033.0.018	Vacuum Connection System Comple Unit	1
11	09.0520.0.001	Screw M5x20 Inbus	2
12	09.0820.0.001	Screw M8x20 Inbus	2
13	09.0524.0.021	Fitting L M5 2/4	1
14	09.0024.0.021	Fitting Speedcontrol MS 2/4	1
15	09.0006.0.010	Nut M6	1
16	09.0016.0.010	Nut M16	1

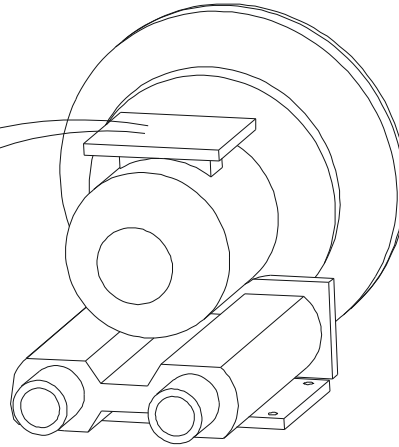
# VACUUM SECTION



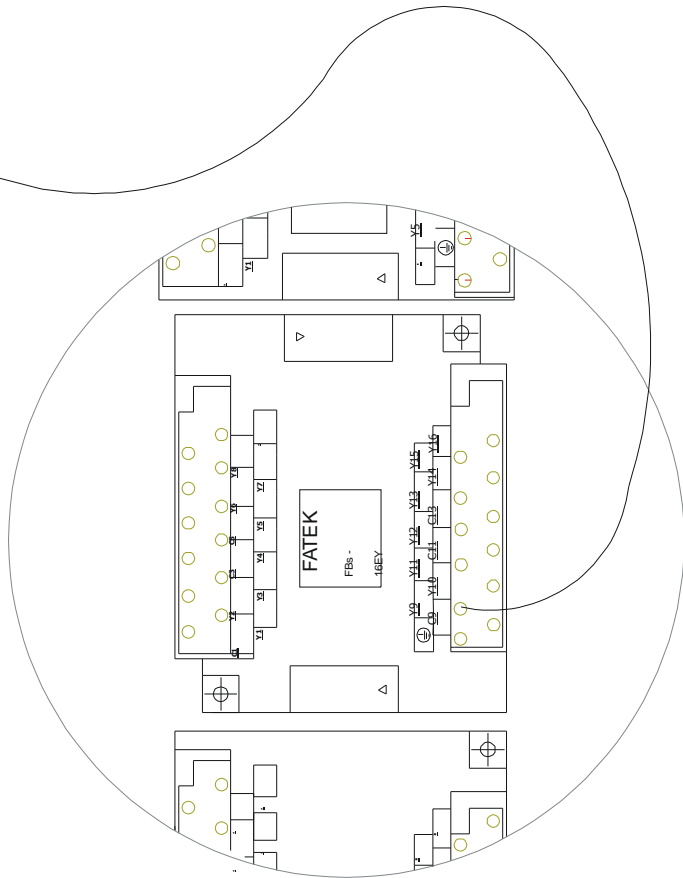
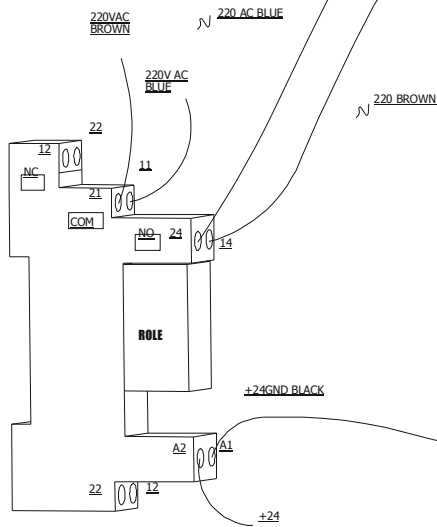
**VACUUM SECTION**

DET	PART NUMBER	DESCRIPTION	QTY
1	68.0033.0.019	Comple Unit of Vacuum Section	1

# VACUUM SECTION



**This Connection Diagram For  
MONO PHASE VACUUM MOTOR**

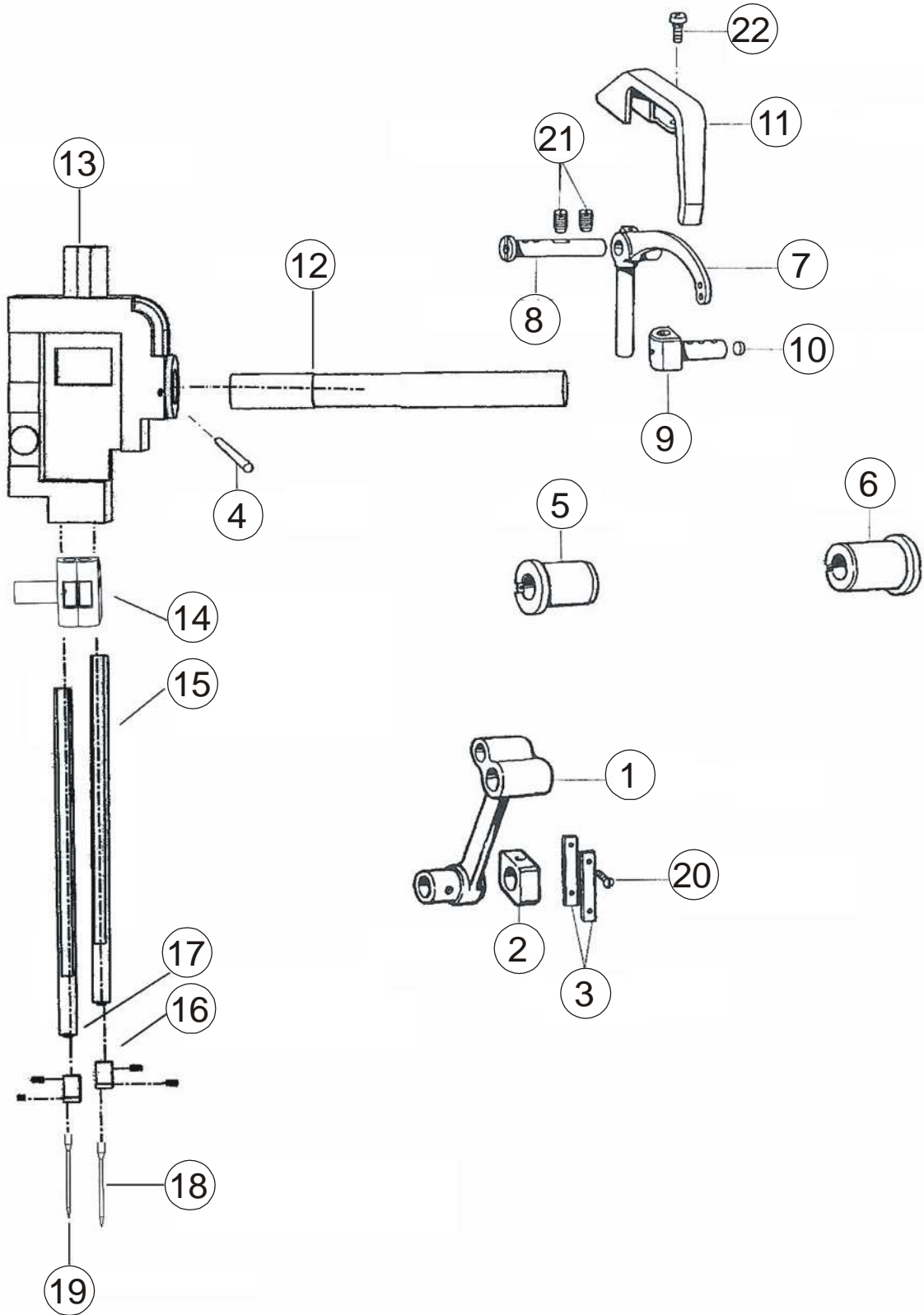


**OUT MODULE 1**



# **ANGLE POCKET SECTION**

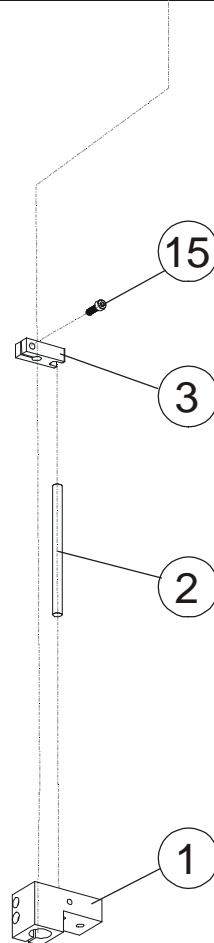
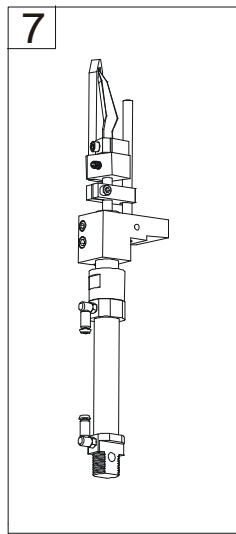
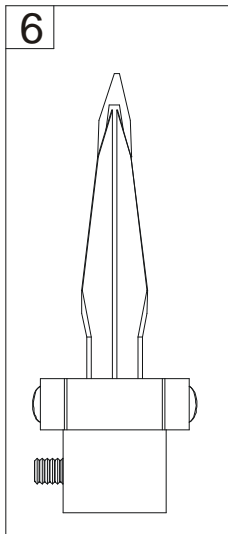
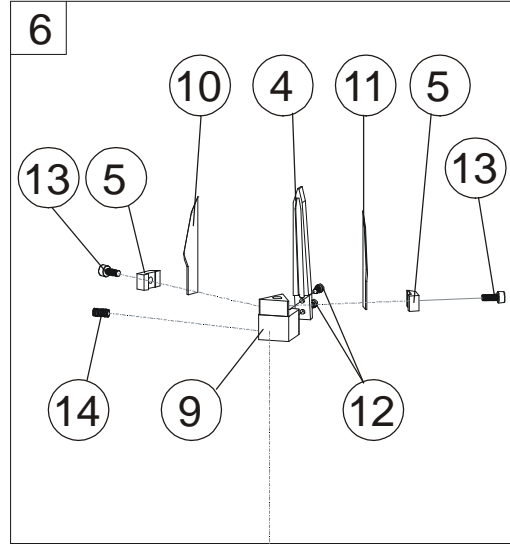
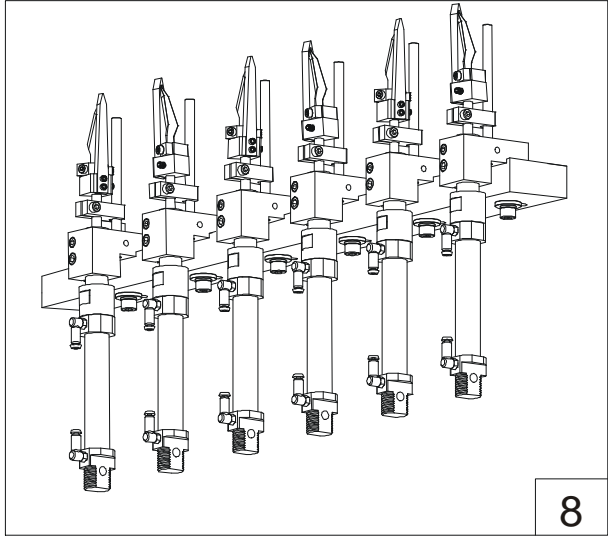
# HOUSING SECTION



**HOUSING SECTION**

DET	PART NUMBER	DESCRIPTION	QTY
1	68.0010.0.006	Crank Rod , N-bar	1
2	68.0010.0.007	Slide Blok	1
3	68.0010.0.008	Guide Plote	2
4	68.0010.0.011	Pin , Taper	1
5	68.0010.0.013	Bush L	1
6	68.0010.0.014	Bush R	1
7	68.0010.0.015	Tread take	1
8	68.0010.0.016	Shaft	1
9	68.0010.0.018	Slide Black	1
10	68.0010.0.019	Pusher	1
11	68.0010.0.020	Therad Take Upcover	1
12	68.0053.0.001	Shaft	1
13	68.0053.0.002	Connection Part	1
14	68.0053.0.003	Mil Holder	1
15	68.0053.0.004	Mil	2
16	68.0053.0.005R	Needle Holder (Right)	1
17	68.0053.0.005L	Needle Holder (Left)	1
18	68.0053.0.006R	Needle (Left)	1
19	68.0053.0.006L	Needle (Right)	1
20	09.0238.0.031	Screw Flat SM 2.38	2
21	09.0635.0.032	Screw Socket SM 6.35	2
22	09.0357.0.033	Screw SM 3.57	2

# CORNER KNIFE UNIT

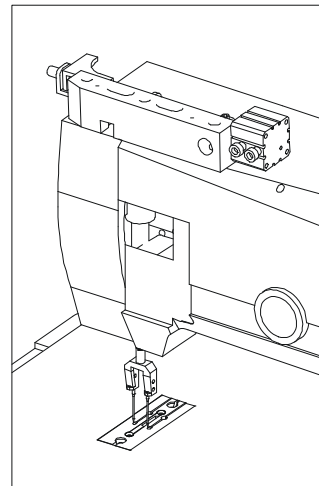
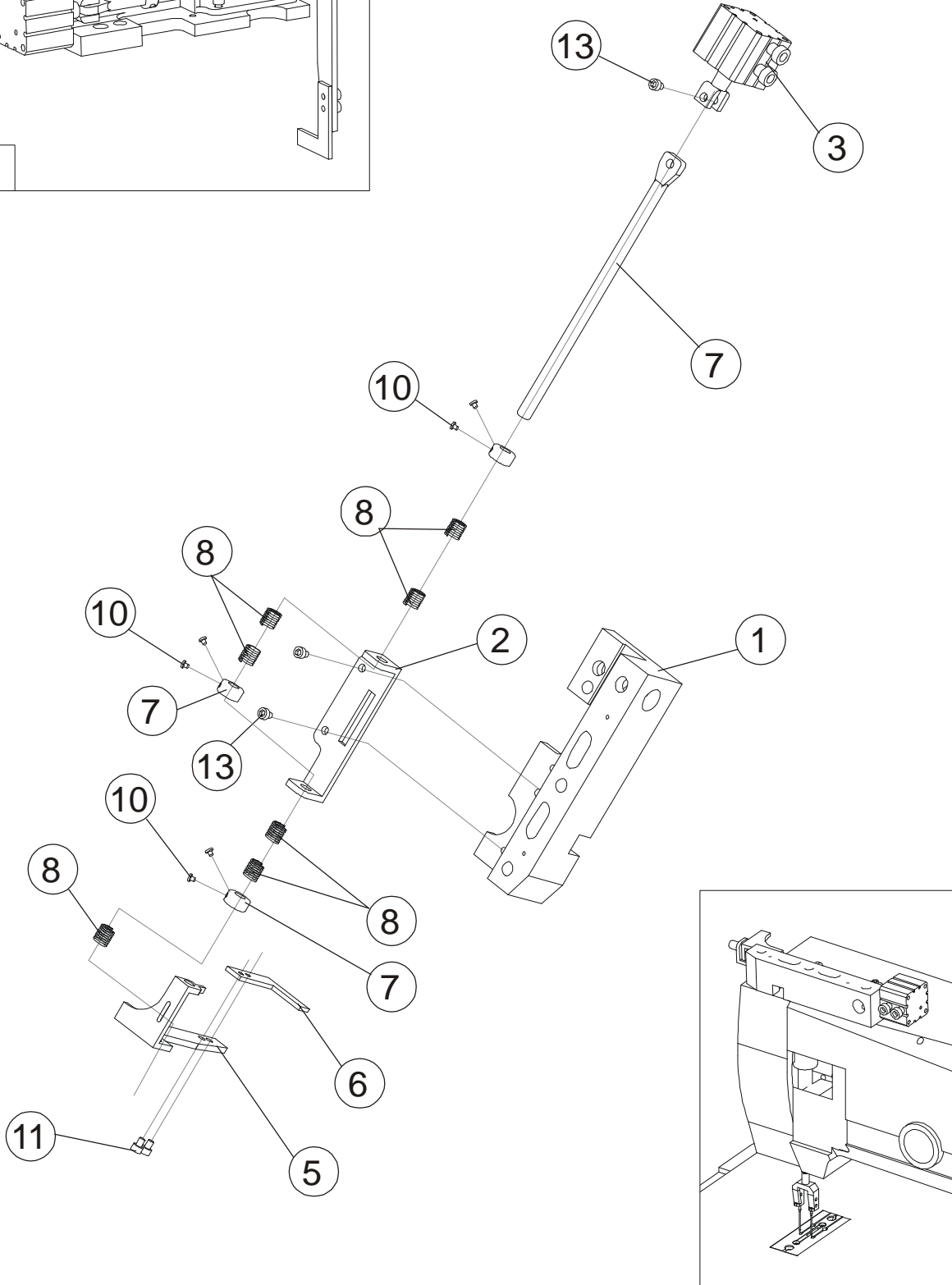
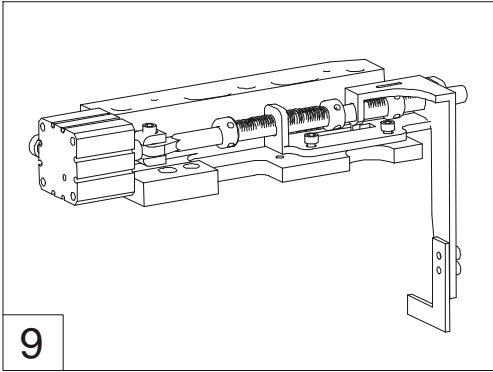




### CORNER KNIFE UNIT

DET	PART NUMBER	DESCRIPTION	QTY
1	68.0028.0.003	Holder	2
2	68.0028.0.004	Pin	2
3	68.0028.0.005	Joint	2
4	68.0028.0.008	Tap Knife Protection Part	1
5	68.0028.0.009	Tap Knife Holding Part	2
6	68.0028.0.015	Corner Knife String Comple	1
7	68.0028.0.016	Corner Knife Piston Comple	1
8	68.0054.0.066	Corner Knife Unit	1
9	68.0051.0.0XX	Tap Knife Connection Part (See Page 19)	1
10	68.0052.0.0XXL	Tap Knife Left Side (See Page 19)	1
11	68.0052.0.0XXR	Tap Knife Right Side (See Page 19)	1
12	09.0308.0.001	Screw M3x8 Inbus	2
13	09.0408.0.001	Screw M4x8 Inbus	2
14	09.0608.0.002	Screw M6x8 Setiskur	1
15	09.0515.0.001	Screw M5x15 Inbus	1

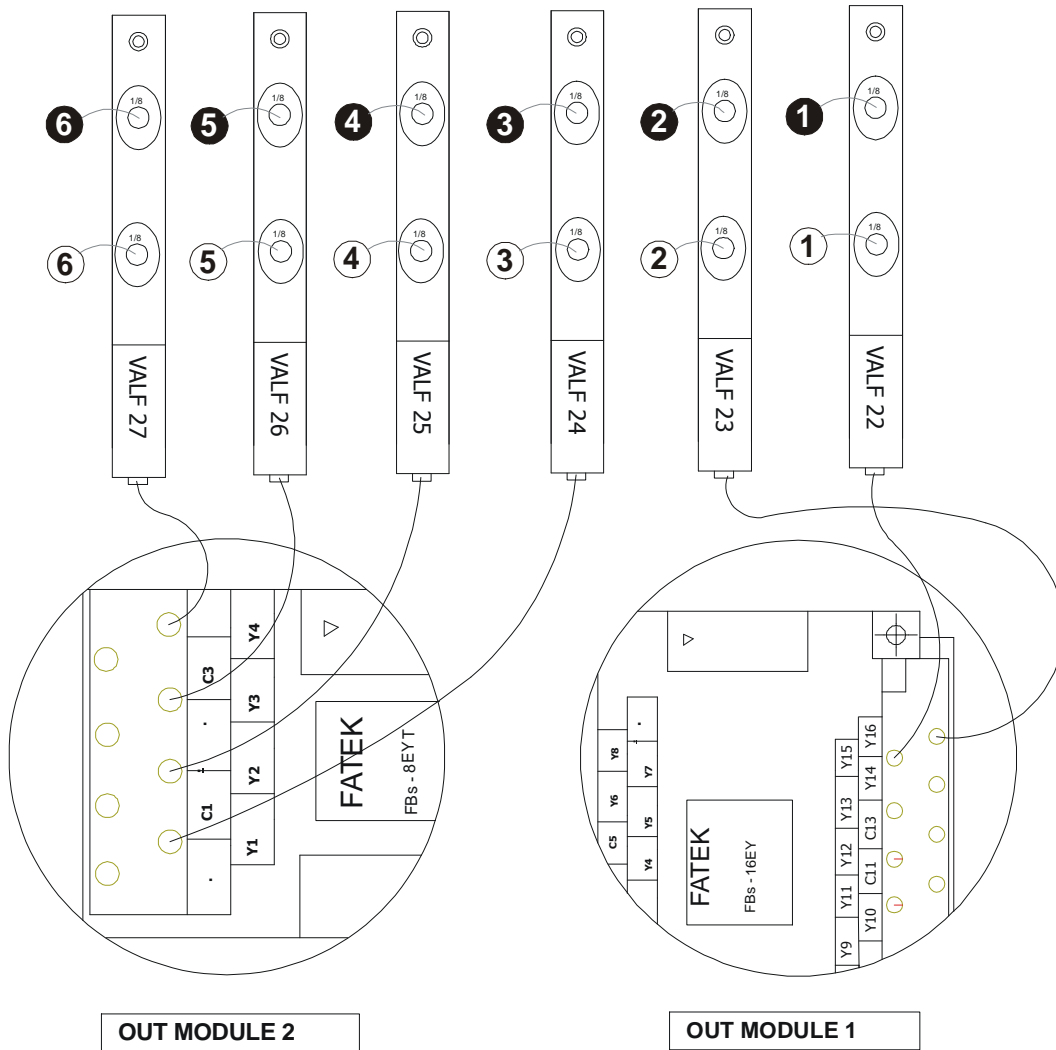
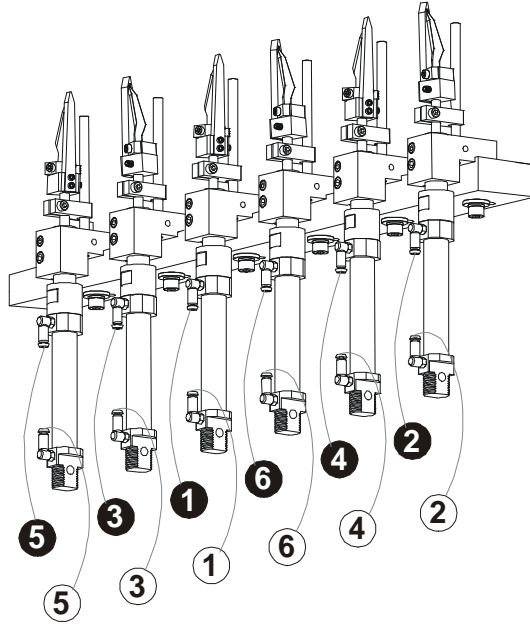
# NEEDLE CANCELING UNIT



**NEEDLE CANCELING UNIT**

DET	PART NUMBER	DESCRIPTION	QTY
1	68.0055.0.001	Main Part	1
2	68.0055.0.002	Mile Holder	1
3	68.0055.0.003	Mile	1
4	68.0055.0.004	Piston	1
5	68.0055.0.005	Needle Canceling Connection Part	1
6	68.0055.0.006	Needle Canceling Part	1
7	68.0055.0.007	Special Ball Bearing	3
8	68.0055.0.008	Special Spring	7
9	68.0055.0.060	Needle Canceling Comple Unit	1
10	09.0308.0.001	Screw M3x8 Inbus	2
11	09.0408.0.001	Screw M4x8 Inbus	2
12	09.0608.0.002	Screw M6x8 Setiskur	1
13	09.0515.0.001	Screw M5x15 Inbus	1

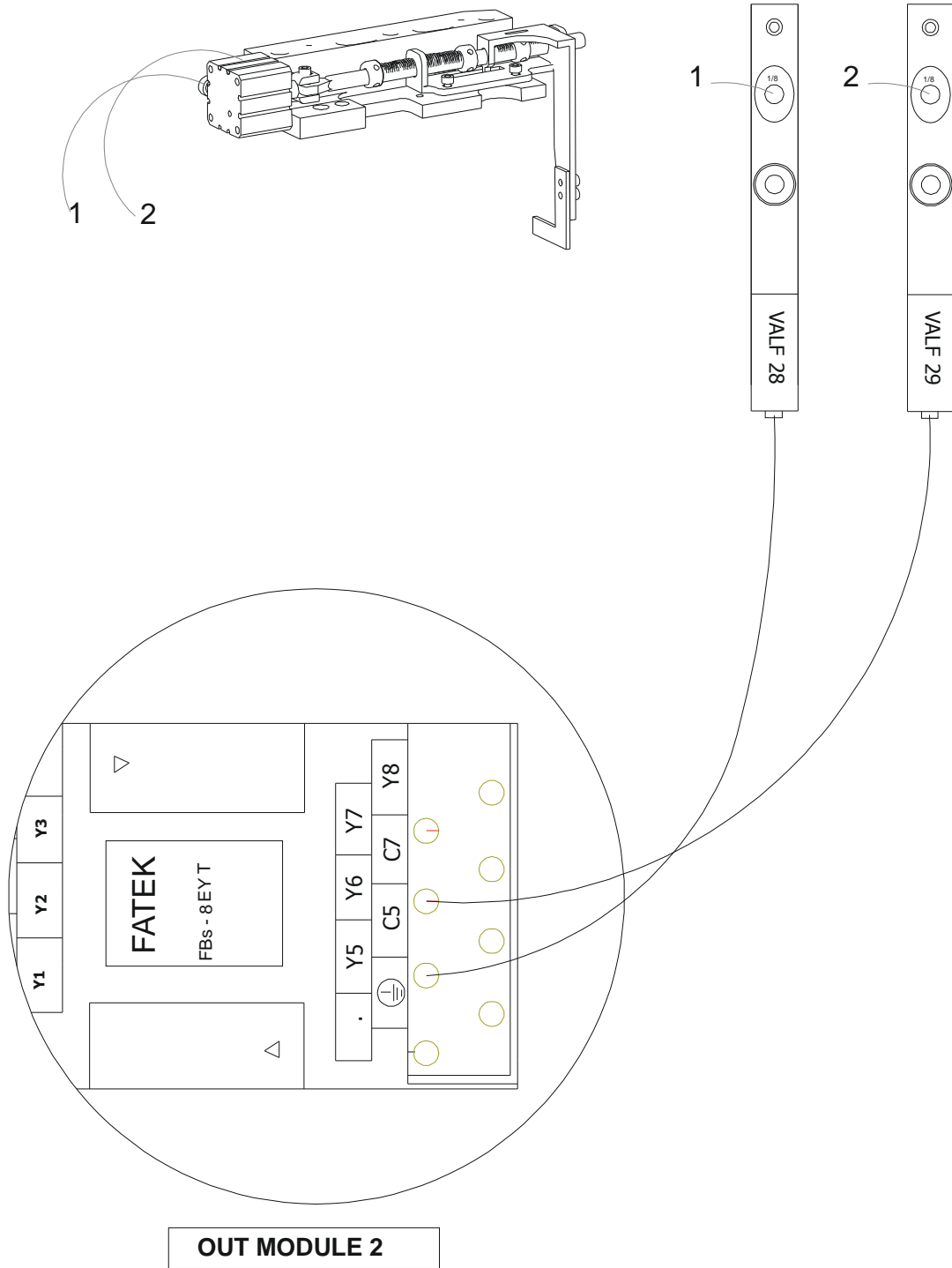
# NEEDLE CANCELING UNIT



OUT MODULE 2

OUT MODULE 1

# NEEDLE CANCELING UNIT

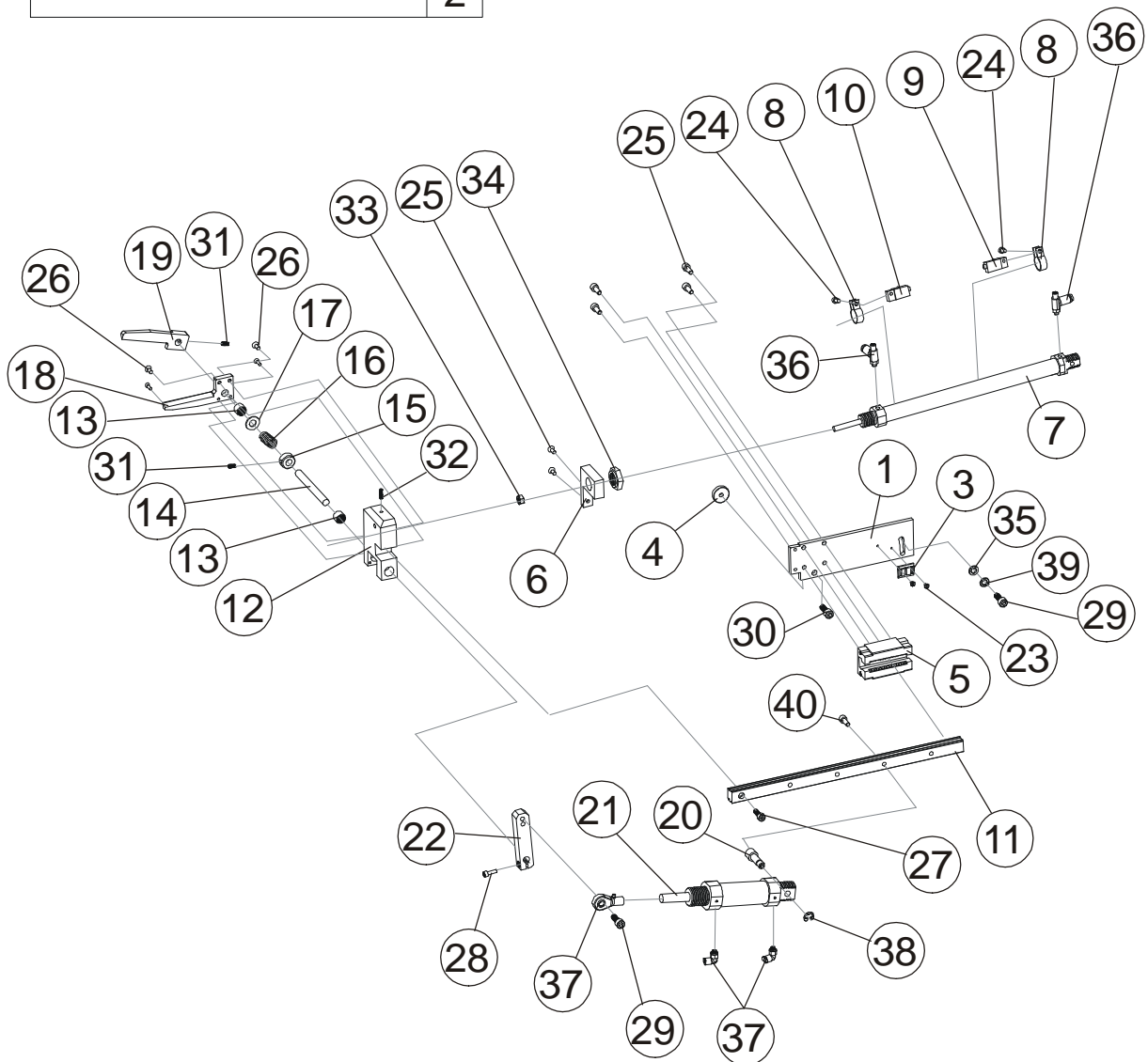
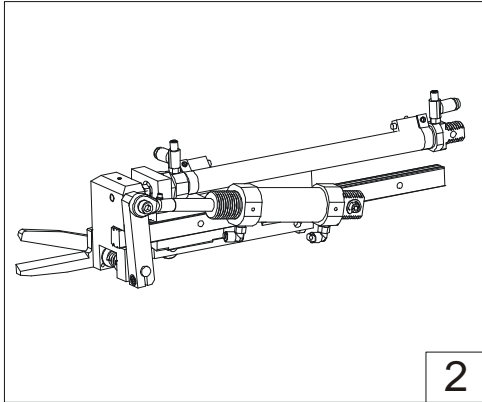






# **ZIPPER SECTION**

# ZIPPER LOADING UNIT

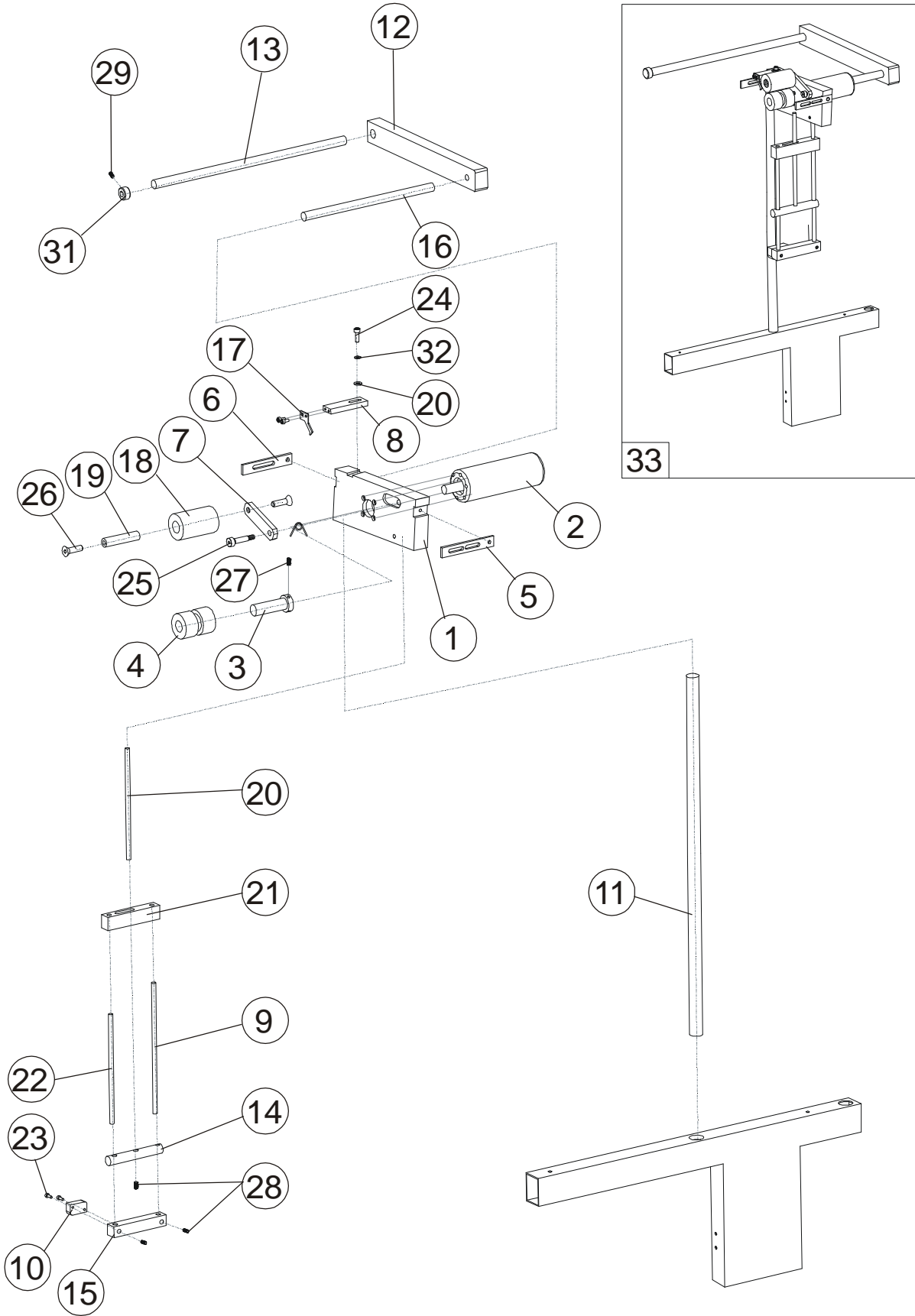




**ZIPPER LOADING UNIT**

<b>DET</b>	<b>PART NUMBER</b>	<b>DESCRIPTION</b>	<b>QTY</b>
1	68.0056.0.001	Connection Part to Head	1
2	68.0056.0.060	Zipper Knife Unit	1
3	68.0056.0.003	Part	1
4	68.0056.0.004	Spangle	1
5	68.0056.0.005	Linear Bearing	1
6	68.0056.0.006	Head Of Pison	1
7	68.0056.0.007	Cylinder Pneumalic Piston	1
8	68.0056.0.008	Pipe Clips	2
9	68.0056.0.009	Electronic Button	1
10	68.0056.0.010	Electronic Button	1
11	68.0056.0.011	Linear Rail	1
12	68.0056.0.012	Head of Rail	1
13	68.0056.0.013	Big Nut	2
14	68.0056.0.014	Axle	1
15	68.0056.0.015	Presing Nut	1
16	68.0056.0.016	Spring	1
17	68.0056.0.017	Special Nut	1
18	68.0056.0.018	Zipper Knife Under	1
19	68.0056.0.019	Zipper Knife Top	1
20	68.0056.0.020	Special Screw	1
21	68.0056.0.021	Knife Pneumatic Piston	1
22	68.0056.0.022	Knife Arms	1
23	09.0202.0.001	Screw Inbus M2x2	2
24	09.0408.0.001	Screw Inbus M4x8	2
25	09.0410.0.001	Screw Inbus M4x10	6
26	09.0412.0.001	Screw Inbus M4x12	4
27	09.0420.0.001	Screw Inbus M4x20	2
28	09.0510.0.001	Screw Inbus M5x10	1
29	09.0612.0.001	Screw Inbus M6x12	1
30	09.0615.0.001	Screw Inbus M6x15	1
31	09.0405.0.002	Screw Setiskur M4x5	2
32	09.0608.0.002	Screw Setiskur M6x8	1
33	09.0006.0.010	Nut M6	1
34	09.0012.0.010	Nut M12	1
35	09.0006.0.011	Washer M6	1
36	09.0000.0.020	Record	2
37	09.0000.0.021	Fitting	2
38	09.0000.0.025	Segment	1
39	09.0006.0.026	Spangle M6	1
40	09.0415.0.001	Screw Inbus M4x15	1

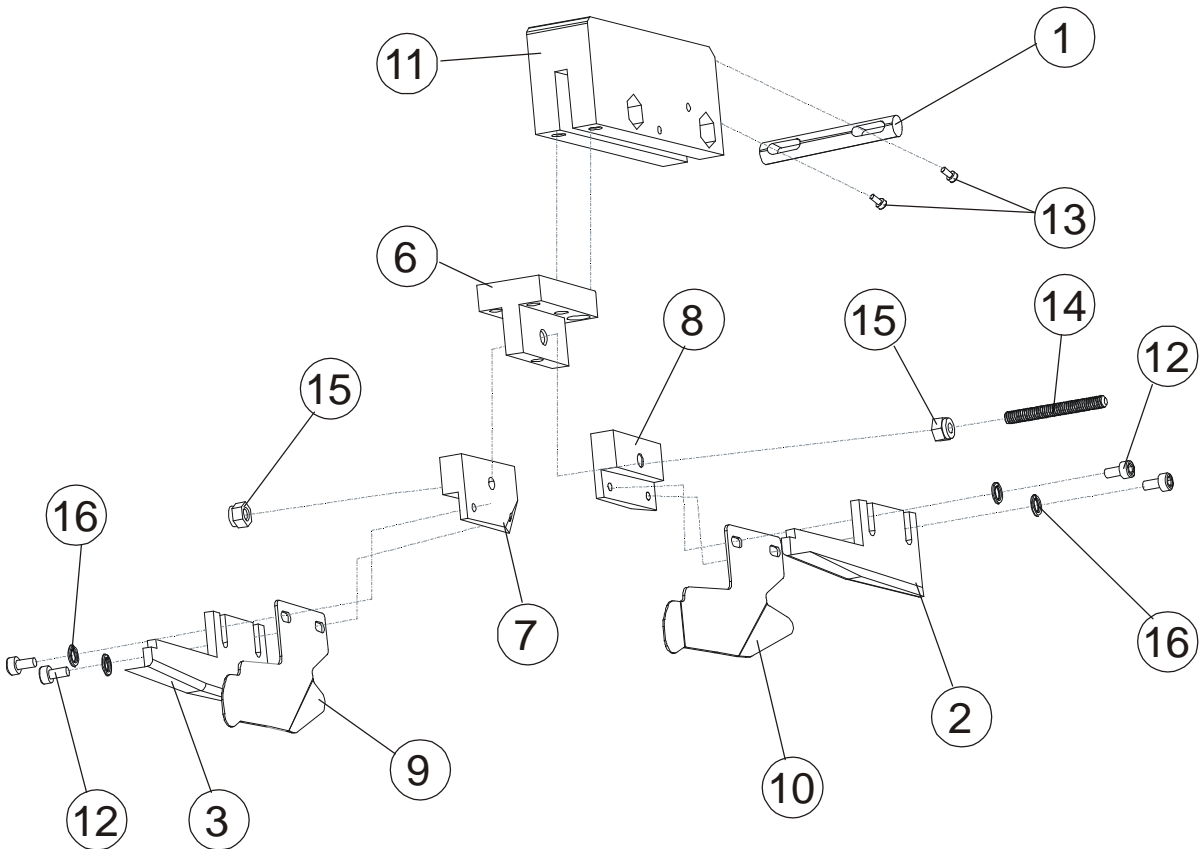
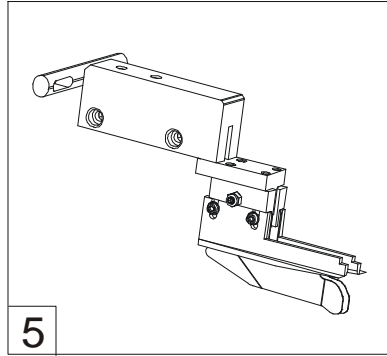
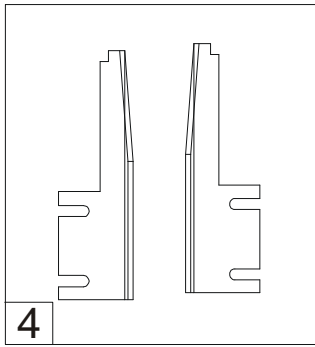
# ZIPPER KNIFFE UNIT



## ZIPPER KNIFE UNIT

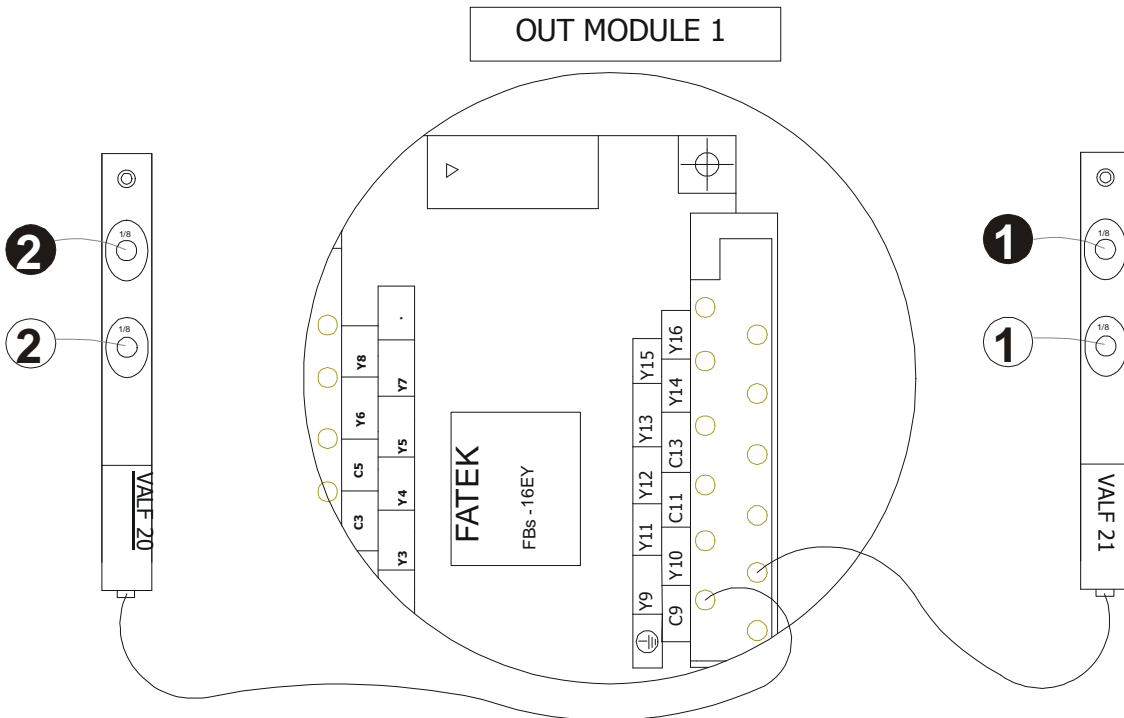
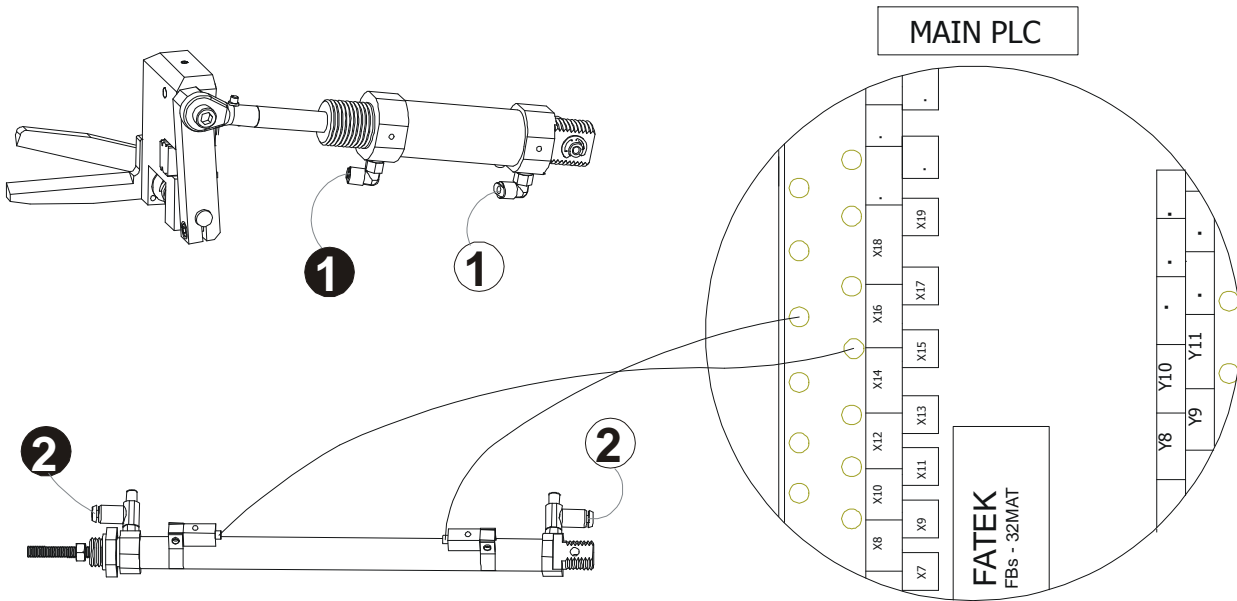
DET	PART NUMBER	DESCRIPTION	QTY
1	68.0057.0.030	Motor Block	1
2	68.0057.0.002	Zipper Motor	1
3	68.0057.0.003	Motor Axle	1
4	68.0057.0.004	Rubber Wheel	1
5	68.0057.0.005	Zipper Guide	1
6	68.0057.0.006	Zipper Guide	1
7	68.0057.0.007	Top Rubber Wheel Arm	1
8	68.0057.0.008	Arm Of Sperator	1
9	68.0057.0.038	Axle Of Discharge	2
10	68.0057.0.013	Discharge Sensor	2
11	68.0057.0.035	Pipe	1
12	68.0057.0.016	Zipper Carriage Arm	2
13	68.0057.0.017	Zipper Carriage Axle	1
14	68.0057.0.040	Axle Connection Part	2
15	68.0057.0.041	Under Axle Connection Part	2
16	68.0057.0.034	Zipper Carriage Axle (Short)	1
17	68.0057.0.033	Zipper Bracket	1
18	68.0057.0.031	Rubber Wheel	1
19	68.0057.0.032	Pin	1
20	68.0057.0.036	Mil	1
21	68.0057.0.037	Mil Holder	1
22	68.0057.0.039	Mil	1
23	09.0315.0.001	Screw M3x15 Inbus	2
24	09.0412.0.001	Screw M4x12 Inbus	1
25	09.0515.0.001	Screw M5x15 Inbus	1
26	09.0610.0.001	Screw M6x10 Inbus	1
27	09.0406.0.002	Screw M4x6 Setiskur	1
28	09.0506.0.002	Screw M5x6 Setiskur	3
29	09.0608.0.002	Screw M6x8 Setiskur	1
30	09.0004.0.011	M4 Washer	1
31	09.0000.0.022	Bush	1
32	09.0004.0.026	M4 Spangle	1
33	68.0057.0.060	Zipper loading Comple Unit	1

# ZIPPER KNIPE UNIT

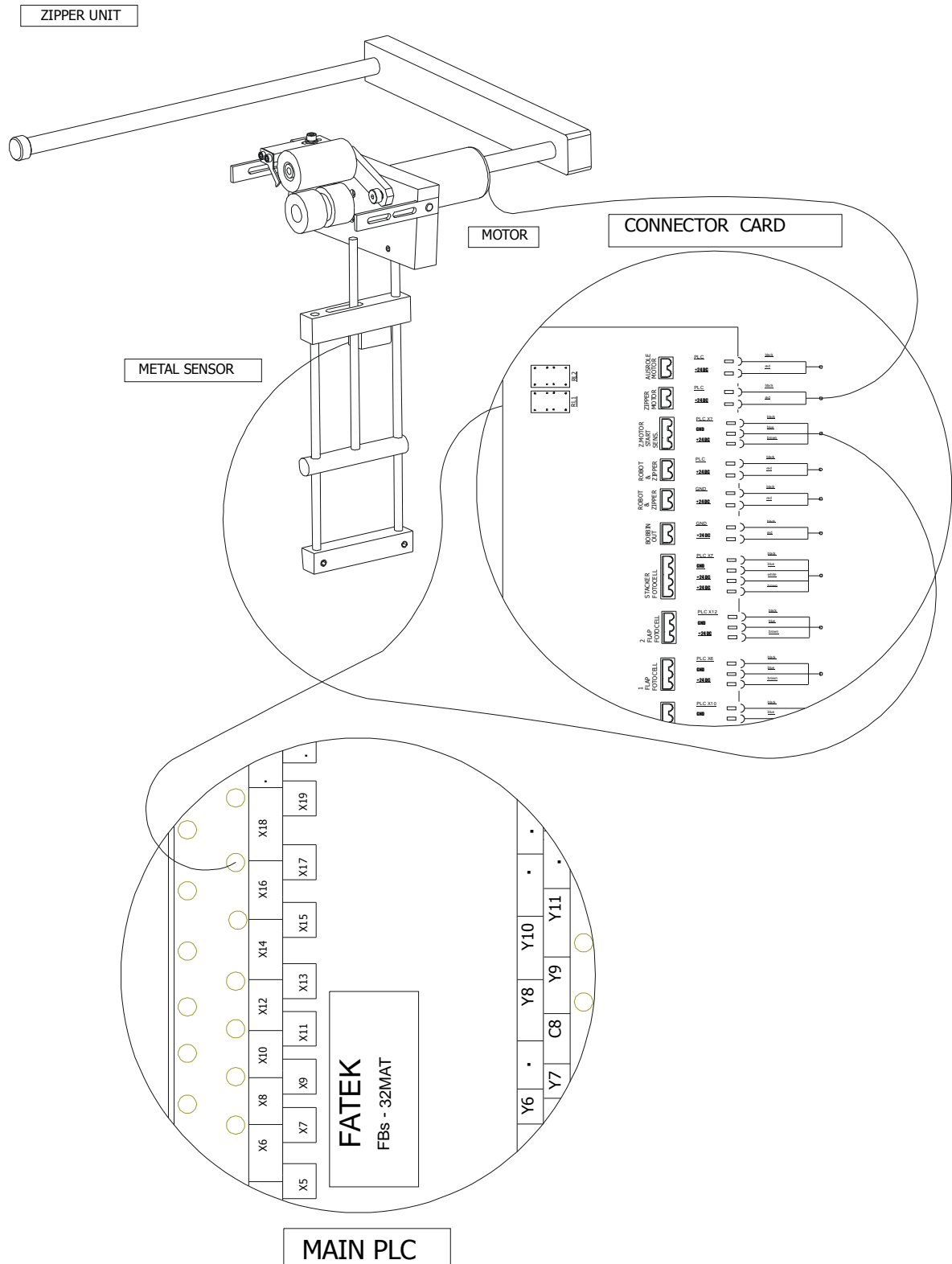




# ZIPPER KNIFE UNIT



# ZIPPER KNIFE UNIT



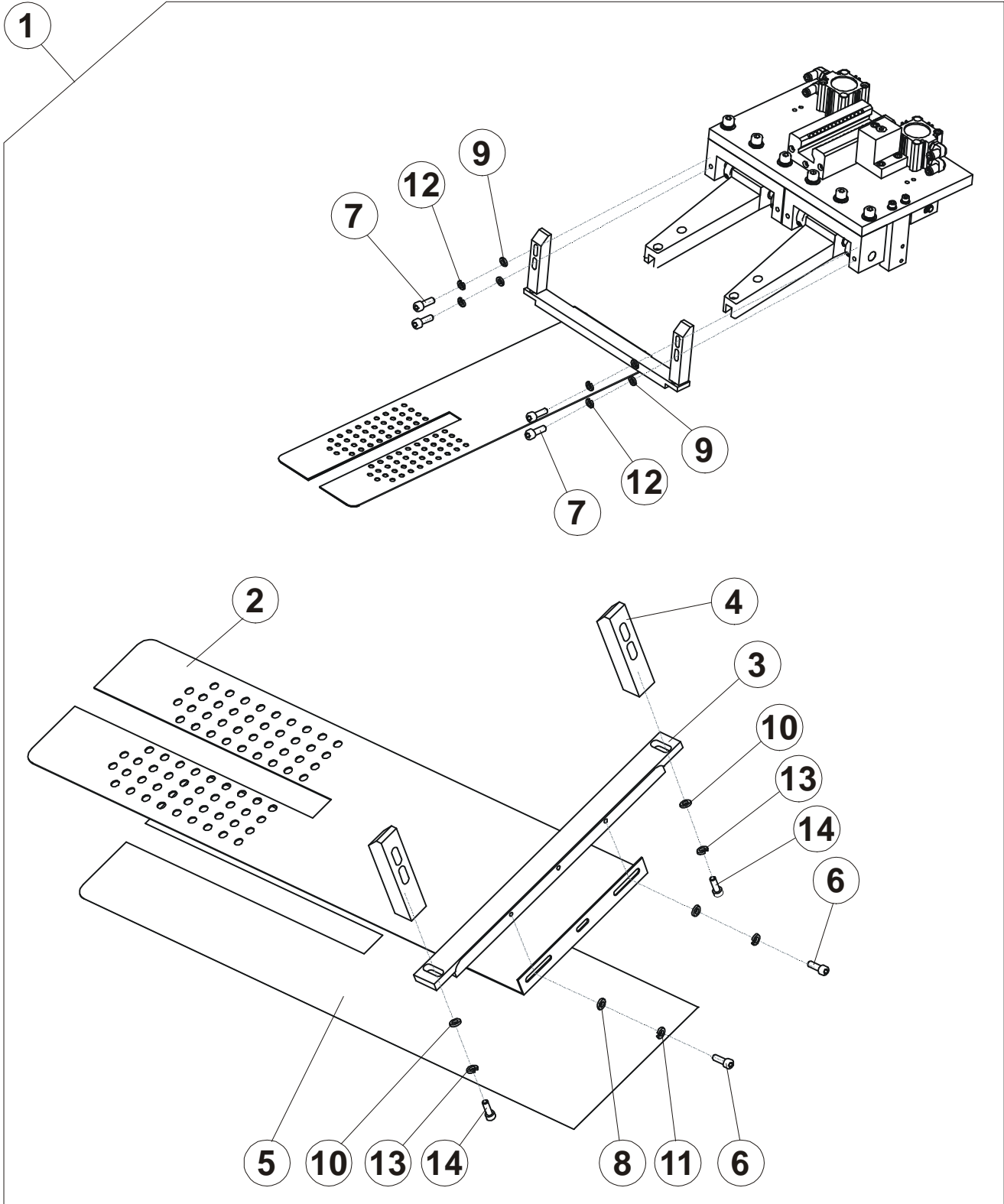






# **SANDWICH CLAMP SECTION**

# SANDWICH CLAMP UNIT



## SANDWICH CLAMP UNIT

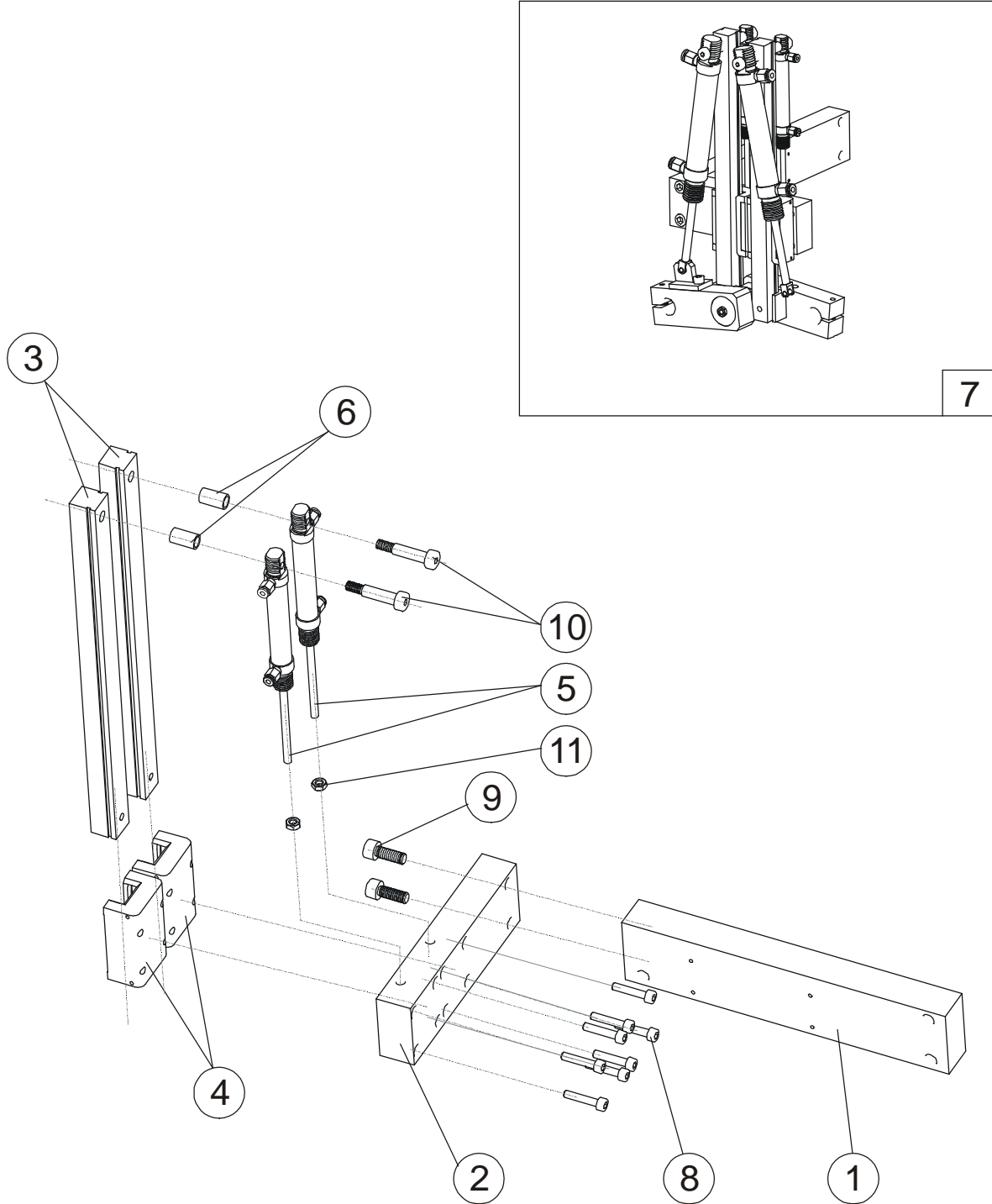
DET	PART NUMBER	DESCRIPTION	QTY
1	68.0061.0.010	Sandwich Clamp Complete Unit	1
2	68.0061.0.001	Sandwich Clamp Sheet Iron	1
3	68.0061.0.002	Sandwich Clamp Holder	1
4	68.0061.0.003	Sandwich Clamp Connection Part	1
5	68.0061.0.004	Teflon Sticker	1
6	09.0410.0.001	Screw Inbus M4X10	2
7	09.0630.0.001	Screw Inbus M6X30	4
8	09.0004.0.011	Washer ø4	2
9	09.0006.0.011	Washer ø6	4
10	09.0008.0.011	Washer ø8	2
11	09.0004.0.026	Spangle ø4	2
12	09.0006.0.026	Spangle ø6	4
13	09.0008.0.026	Spangle ø8	2
14	09.0008.0.033	Screw Other M8 (6 Corner)	2





# **ROBOT SYSTEM SECTION**

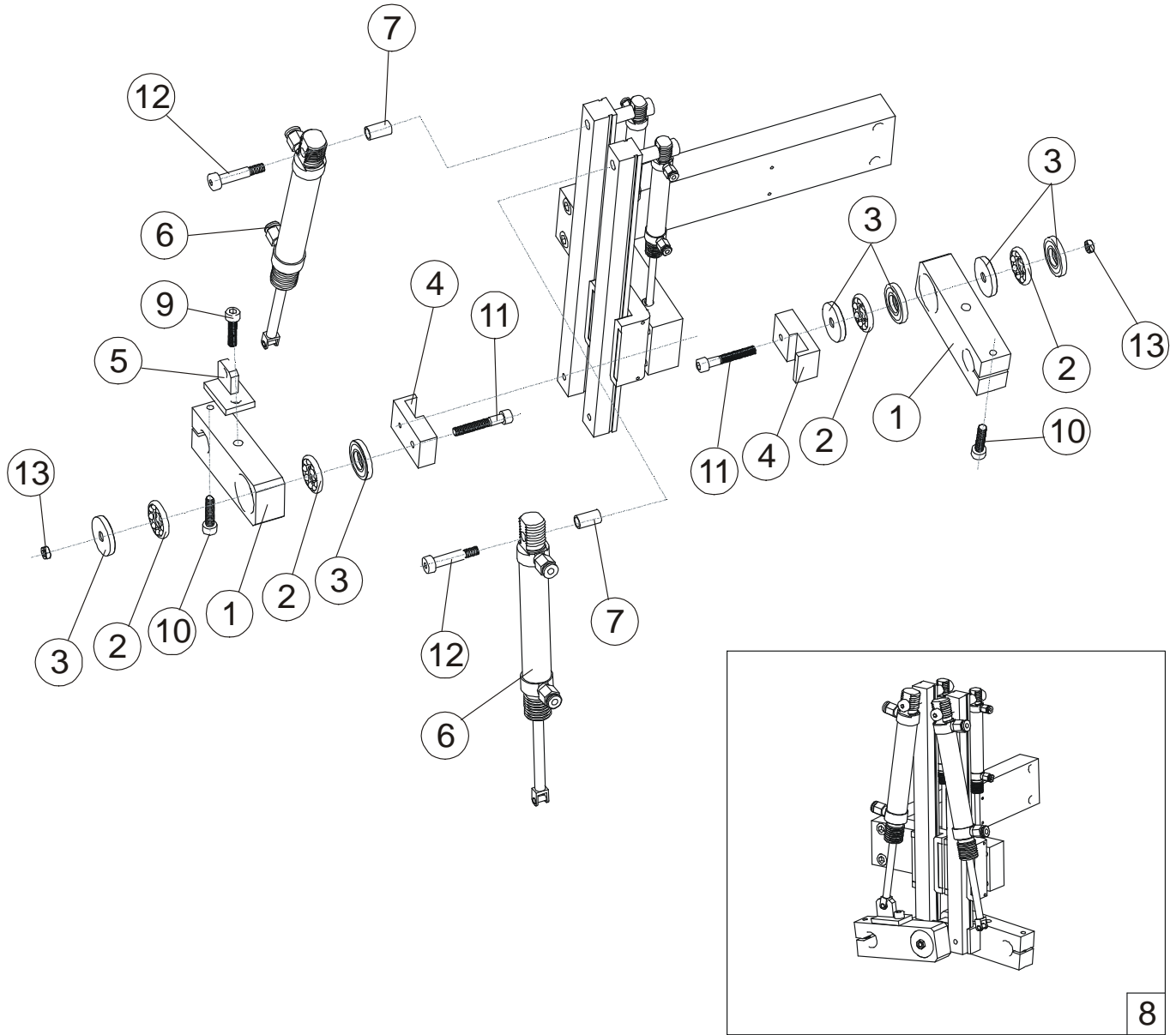
# ROBOT SYSTEM UNIT



## ROBOT SYSTEM UNIT

DET	PART NUMBER	DESCRIPTION	QTY
1	68.0059.0.001	Main Connection Part	1
2	68.0059.0.002	Base Plate Connection Part	1
3	68.0059.0.003	Linear Rail	2
4	68.0059.0.004	Base Plate	2
5	68.0059.0.005	Piston Ø12x15	2
6	68.0059.0.006	Rubber Bush	2
7	68.0059.0.056	Robot System Main Unit	1
8	09.0420.0.001	Screw M4x20 Inbus	2
9	09.0625.0.001	Screw M6x25 Inbus	2
10	09.0630.0.005	Screw M6x30 Special Inbus	2
11	09.0006.0.010	Nut M6	2

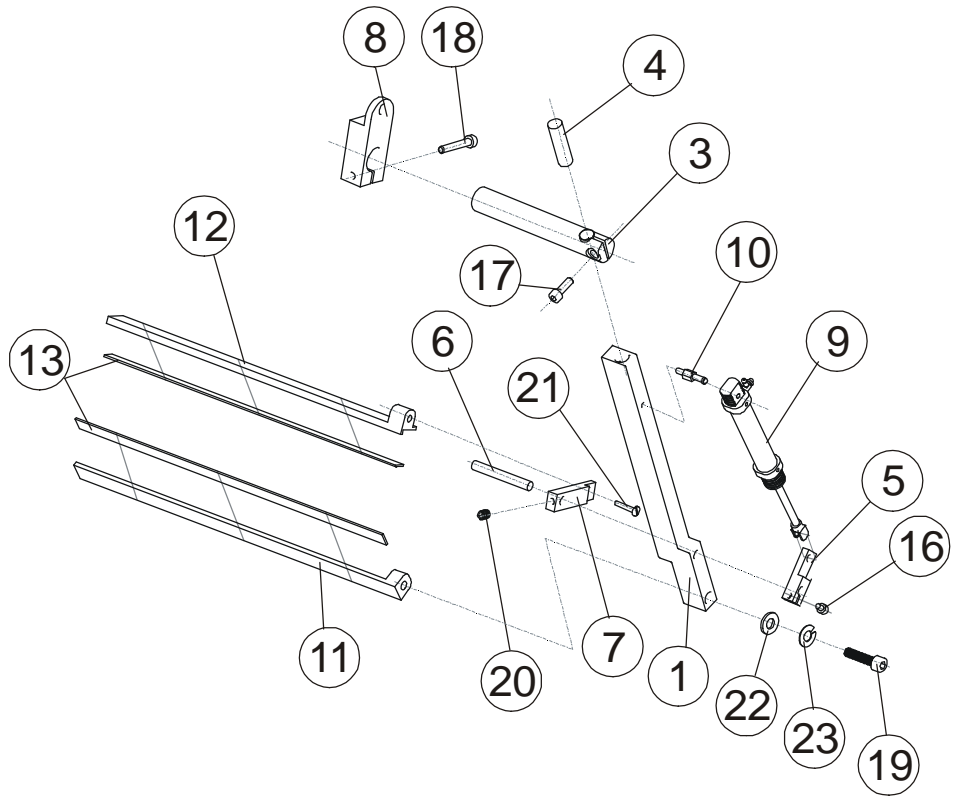
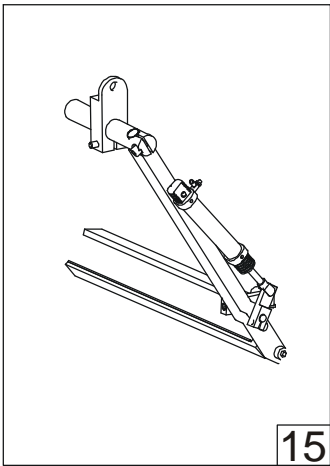
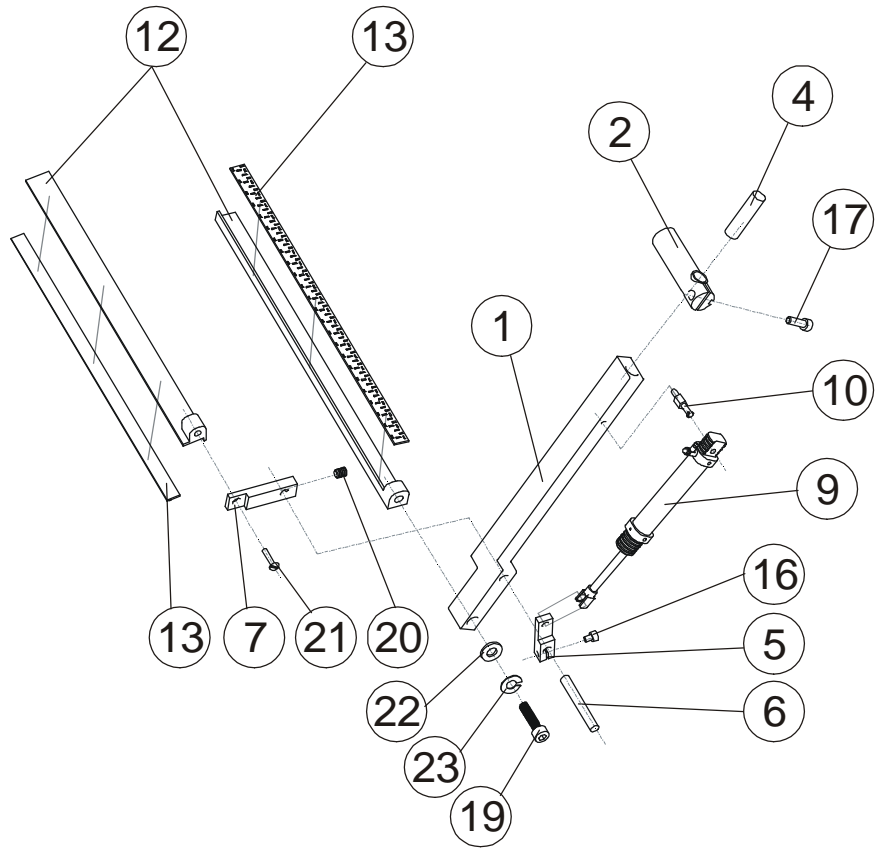
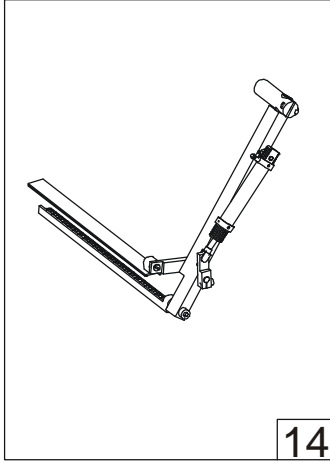
# ROBOT SYSTEM UNIT





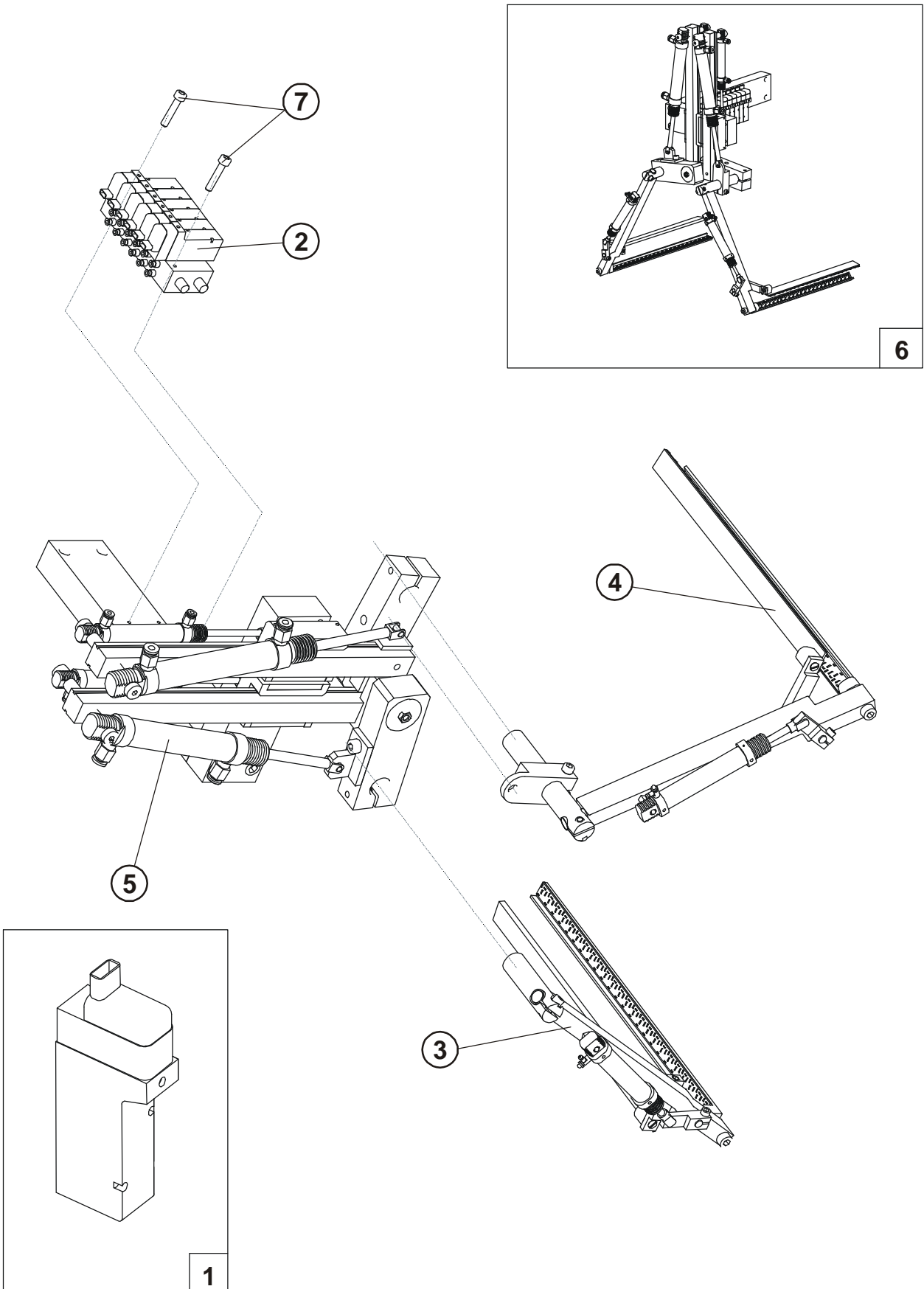


# ROBOT SYSTEM UNIT





# ROBOT SYSTEM UNIT







## EFKA MOTORS

---

### Loading Parameters On EFKA Motors

1. Depress and hold P key on Efka Motor Driver and give power to machine. You will see "C.O.D." on Efka Motor Driver panel.
2. Press key >>once on Efka Motor Driver you will get number 000 on display.
3. Enter code 591 over the display (You may do this by using keys +,-,>>)
4. Press key E on Efka Motor Driver you will see parameter 4.0.0 on display.
5. Now enter parameter that you want to change or see contents. For example, enter 396 (prm 396).
6. Press key E on Efka Motor Driver You will get current parameter value on display. Then enter desired value (e.g., enter 1)(you may do this by using + or - keys).
7. Depress key P on Efka Motor Driver.
8. You may alter other parameters in similar manner.

Prm 290.....	5	(Machine Mode)
Prm 396.....	1	(Driver motor in frequency system)
Prm 161.....	1	(Direction of the motor rotation)
Prm 111.....	400	(Max Speed)
Prm 115.....	20	(Take-Off Speed)
Prm 110.....	350	(Soft start)
Prm 370.....	400	(Speed Limit)
Prm 240.....	3	(Needle Up-Down)
Prm 171.....		(Setup to Needle Position)(PE1,PE2,PA1,PA2)

9. Depress P key over the Efka Motor Driver twice when there is no more parameters to alter. On the screen, it will display (400)
10. Enter test screen on machine panel, depress head start button making sure head rotates at least one-full turn this makes recording in motor the change made.
11. Now you have laden parameter written.

## EFKA MOTORS

---

### How to Master Reset Efka Motor?

1. Depress and hold P key on Efka Motor Driver and give power to machine. You will see "C.O.D." on Efka Motor Driver panel.
2. Press key >> once on Efka Motor Driver you will get number 000 on display.
3. Enter code 591 over the display (You may do this by using keys +, -, >>)
4. Press key E on Efka Motor Driver you will see parameter 4.0.0. on display.
5. Enter number 290 (prm 290) on display.
6. Press key E on Efka Motor Driver. You should get any arbitrary number on display now enter some different number (You may do this by using + or – keys. For example go a head and enter 5 if the number on display is 3).
7. Depress key P on Efka Motor Driver.
8. Press key P again on Efka Motor Driver. On the screen, it will display (400)
9. Enter test screen on machine panel, depress head start button making sure head rotates at least one-full turn. This makes recording in motor the change made.
10. Right now Master reset is ready made.

**Not :** Before entering the new parameters, make the 290. parameter 5 again. and then enter the new parameters.



**INDEX**

PART NUMBER	PAGE	DET	QTY	PART NUMBER	PAGE	DET	QTY	PART NUMBER	PAGE	DET	QTY
<b>09.0000.0.001</b>				09.0004.0.010	3-173	15	2	09.0006.0.010	3-121	18	1
09.0000.0.001	3-23	14	1	09.0004.0.010	3-59	28	4	09.0006.0.011	3-47	5	2
09.0000.0.001	3-45	21	1	09.0004.0.011	3-139	20	2	09.0006.0.011	3-119	10	3
09.0000.0.001	3-77	20	2	09.0004.0.011	3-171	30	1	09.0006.0.011	3-121	17	2
09.0000.0.011	3-43	31	6	09.0004.0.011	3-179	8	2	09.0006.0.011	3-169	35	1
09.0000.0.012	3-77	24	4	09.0004.0.011	3-53	46	2	09.0006.0.011	3-179	9	4
09.0000.0.020	3-169	36	2	09.0004.0.026	3-171	32	1	09.0006.0.011	3-117	33	1
09.0000.0.021	3-127	24	2	09.0004.0.026	3-179	11	2	09.0006.0.013	3-123	5	1
09.0000.0.021	3-169	37	2	09.0005.0.002	3-133	16	2	09.0006.0.022	3-31	27	2
09.0000.0.022	3-43	33	4	09.0005.0.003	3-133	19	2	09.0006.0.026	3-117	36	1
09.0000.0.022	3-53	45	1	09.0005.0.010	3-65	17	3	09.0006.0.026	3-121	14	1
09.0000.0.022	3-75	22	4	09.0005.0.010	3-89	11	2	09.0006.0.026	3-169	39	1
09.0000.0.022	3-137	16	1	09.0005.0.010	3-185	13	2	09.0006.0.026	3-179	12	4
09.0000.0.022	3-141	28	1	09.0005.0.010	3-59	26	2	09.0006.0.027	3-75	21	2
09.0000.0.022	3-143	8	1	09.0005.0.011	3-21	17	1	09.0007.0.011	3-21	19	1
09.0000.0.022	3-171	31	1	09.0005.0.011	3-59	31	4				
09.0000.0.022	3-117	38	1	09.0005.0.011	3-77	26	4	<b>09.0008.0.010</b>			
09.0000.0.023	3-43	34	7	09.0005.0.011	3-117	32	2	09.0008.0.010	3-67	47	1
09.0000.0.023	3-77	25	2	09.0005.0.011	3-139	21	2	09.0008.0.010	3-69	47	1
09.0000.0.023	3-137	17	2	09.0005.0.011	3-187	22	2	09.0008.0.010	3-75	24	2
09.0000.0.023	3-141	25	4	09.0005.0.011	3-49	18	2	09.0008.0.010	3-117	40	1
09.0000.0.023	3-53	44	7	09.0005.0.011	3-73	21	2	09.0008.0.010	3-119	12	1
09.0000.0.024	3-53	49	1	09.0005.0.012	3-59	27	4	09.0008.0.010	3-121	19	1
09.0000.0.024	3-59	29	2	09.0005.0.020	3-49	19	1	09.0008.0.011	3-73	22	10
09.0000.0.024	3-87	15	2	09.0005.0.020	3-49	20	1	09.0008.0.011	3-83	12	2
09.0000.0.025	3-53	50	2	09.0005.0.021	3-121	16	2	09.0008.0.011	3-85	3	2
09.0000.0.025	3-75	25	4	09.0005.0.026	3-77	28	4	09.0008.0.011	3-117	34	1
09.0000.0.025	3-141	26	2	09.0005.0.026	3-89	10	2	09.0008.0.011	3-119	11	2
09.0000.0.025	3-169	38	1	09.0005.0.026	3-139	18	2	09.0008.0.011	3-179	10	2
09.0000.0.026	3-65	14	2	09.0005.0.026	3-187	23	2	09.0008.0.026	3-73	24	10
09.0000.0.026	3-67	42	3	09.0005.0.026	3-65	15	3	09.0008.0.026	3-83	13	2
09.0000.0.026	3-69	42	3	09.0005.0.026	3-73	23	2	09.0008.0.026	3-179	13	2
09.0003.0.003	3-133	18	4	09.0005.0.026	3-117	35	2	09.0008.0.033	3-179	14	2
09.0003.0.010	3-67	46	1	09.0006.0.002	3-133	17	10	09.0012.0.010	3-31	26	2
09.0003.0.010	3-69	46	1	09.0006.0.010	3-43	30	1	09.0012.0.010	3-33	9	4
09.0003.0.011	3-63	10	2	09.0006.0.010	3-53	43	6	09.0012.0.010	3-77	22	2
09.0003.0.011	3-79	9	4	09.0006.0.010	3-63	12	2	09.0012.0.010	3-87	14	4
09.0003.0.011	3-59	30	4	09.0006.0.010	3-65	19	2	09.0012.0.010	3-169	34	1
09.0003.0.011	3-67	43	2	09.0006.0.010	3-75	23	4	09.0012.0.011	3-33	10	4
09.0003.0.011	3-69	43	2	09.0006.0.010	3-77	21	2	09.0012.0.011	3-77	27	2
09.0003.0.012	3-79	10	4	09.0006.0.010	3-127	22	2	09.0014.0.021	3-89	12	1
09.0003.0.026	3-173	16	4	09.0006.0.010	3-139	19	1	09.0016.0.010	3-127	23	4
09.0003.0.026	3-63	11	2	09.0006.0.010	3-153	15	1	09.0016.0.010	3-133	20	1
				09.0006.0.010	3-169	33	1	09.0016.0.010	3-153	16	1
<b>09.0004.0.010</b>				09.0006.0.010	3-183	11	2	09.0018.0.010	3-77	23	2
09.0004.0.010	3-141	29	2	09.0006.0.010	3-57	15	1	09.0018.0.021	3-121	15	2

# INDEX

PART NUMBER	PAGE	DET	QTY	PART NUMBER	PAGE	DET	QTY	PART NUMBER	PAGE	DET	QTY
09.0020.0.011	3-65	13	2	09.0320.0.002	3-79	7	4	09.0410.0.001	3-169	25	6
09.0024.0.021	3-117	37	2	09.0324.0.021	3-69	44	1	09.0410.0.001	3-179	6	2
09.0024.0.021	3-153	14	1	09.0324.0.021	3-67	44	1	09.0410.0.001	3-187	17	2
09.0025.0.023	3-129	18	2	09.0325.0.001	3-67	36	2	09.0410.0.001	3-53	40	2
09.0055.0.010	3-65	18	2	09.0325.0.001	3-69	36	2	09.0412.0.001	3-31	23	1
09.0086.0.021	3-89	13	1	09.0335.0.001	3-51	22	2	09.0412.0.001	3-45	18	1
09.0202.0.001	3-169	23	2	09.0350.0.001	3-49	14	5	09.0412.0.001	3-49	15	2
09.0215.0.001	3-53	42	2	09.0350.0.001	3-141	18	2	09.0412.0.001	3-139	12	2
09.0238.0.031	3-13	16	2	09.0351.0.031	3-15	38	2	09.0412.0.001	3-143	7	2
09.0238.0.031	3-159	20	2	09.0357.0.030	3-15	39	1	09.0412.0.001	3-169	26	4
				09.0357.0.030	3-19	42	2	09.0412.0.001	3-171	24	1
				09.0357.0.030	3-23	17	2	09.0412.0.001	3-67	33	2
<b>09.0305.0.001</b>				09.0357.0.030	3-27	27	4	09.0412.0.001	3-69	33	2
09.0305.0.001	3-67	35	2	09.0357.0.031	3-15	37	1	09.0412.0.002	3-59	22	2
09.0305.0.001	3-69	35	2	09.0357.0.031	3-21	16	3				
09.0305.0.002	3-127	17	2	09.0357.0.031	3-21	16	3				
09.0305.0.002	3-59	21	1	09.0357.0.033	3-13	18	2	<b>09.0415.0.001</b>			
09.0306.0.001	3-59	20	4	09.0357.0.033	3-15	35	1	09.0415.0.001	3-43	25	4
09.0308.0.001	3-43	23	4	09.0357.0.033	3-27	26	2	09.0415.0.001	3-53	27	2
09.0308.0.001	3-67	38	6	09.0357.0.033	3-159	22	2	09.0415.0.001	3-59	18	2
09.0308.0.001	3-69	38	6					09.0415.0.001	3-75	16	1
09.0308.0.001	3-81	12	2	<b>09.0400.0.005</b>				09.0415.0.001	3-137	14	2
09.0308.0.001	3-137	12	2	09.0400.0.005	3-31	20	2	09.0415.0.001	3-139	11	1
09.0308.0.001	3-161	12	2	09.0404.0.001	3-141	23	1	09.0415.0.001	3-169	40	1
09.0308.0.001	3-163	10	2	09.0404.0.002	3-61	12	6	09.0415.0.001	3-67	40	2
09.0308.0.001	3-173	12	4	09.0404.0.002	3-67	34	4	09.0415.0.001	3-69	40	2
09.0308.0.001	3-51	21	4	09.0404.0.002	3-69	34	4	09.0415.0.002	3-67	31	1
09.0308.0.002	3-29	10	2	09.0404.0.002	3-141	19	1	09.0415.0.002	3-69	31	1
09.0308.0.002	3-51	20	4	09.0405.0.001	3-49	16	1	09.0415.0.002	3-141	22	2
09.0310.0.001	3-43	24	1	09.0405.0.002	3-169	31	2	09.0415.0.003	3-41	4	21
09.0310.0.001	3-67	37	5	09.0405.0.002	3-187	20	2	09.0415.0.003	3-87	10	6
09.0310.0.001	3-69	37	5	09.0405.0.005	3-31	25	2	09.0415.0.003	3-141	24	6
09.0310.0.001	3-141	20	1	09.0406.0.002	3-43	28	1	09.0420.0.001	3-117	25	2
09.0310.0.001	3-187	16	2	09.0406.0.002	3-77	19	2	09.0420.0.001	3-139	16	2
09.0310.0.004	3-63	9	2	09.0406.0.002	3-127	18	1	09.0420.0.001	3-169	27	2
09.0312.0.001	3-87	11	4	09.0406.0.002	3-171	27	1	09.0420.0.001	3-183	8	2
09.0312.0.001	3-137	11	2	09.0406.0.002	3-49	17	4	09.0420.0.001	3-185	9	1
09.0312.0.001	3-137	13	4	09.0408.0.001	3-45	17	2	09.0425.0.001	3-53	34	2
09.0312.0.001	3-173	13	2	09.0408.0.001	3-57	12	1	09.0425.0.001	3-117	26	6
09.0315.0.001	3-53	41	2	09.0408.0.001	3-81	13	2	09.0425.0.001	3-127	16	2
09.0315.0.001	3-59	24	2	09.0408.0.001	3-117	22	3	09.0425.0.001	3-139	17	2
09.0315.0.001	3-79	6	4	09.0408.0.001	3-161	13	2	09.0430.0.001	3-189	7	2
09.0315.0.001	3-151	7	3	09.0408.0.001	3-163	11	2	09.0430.0.001	3-117	28	2
09.0315.0.001	3-171	23	2	09.0408.0.001	3-169	24	2	09.0435.0.002	3-173	14	1
09.0315.0.001	3-67	30	2	09.0408.0.002	3-61	11	6	09.0435.0.002	3-59	19	1
09.0315.0.001	3-69	30	2	09.0408.0.004	3-87	13	4	09.0437.0.030	3-11	2	4
09.0315.0.004	3-147	15	1	09.0410.0.001	3-129	12	2	09.0437.0.030	3-15	34	1

Revised 01/2007

e-mail: [service@amfreece.cz](mailto:service@amfreece.cz); [parts@amfreece.cz](mailto:parts@amfreece.cz); website: [www.amfreece.com](http://www.amfreece.com)

**INDEX**

PART NUMBER	PAGE	DET	QTY	PART NUMBER	PAGE	DET	QTY	PART NUMBER	PAGE	DET	QTY
09.0437.0.033	3-23	15	2	09.0524.0.020	3-51	24	2	09.0610.0.001	3-171	26	1
09.0445.0.001	3-53	31	2	09.0524.0.020	3-53	48	2	09.0610.0.002	3-43	29	2
09.0476.0.010	3-65	16	2	09.0524.0.021	3-15	40	1	09.0610.0.002	3-77	18	2
09.0476.0.012	3-21	18	1	09.0524.0.021	3-43	32	2	09.0610.0.002	3-79	8	2
09.0476.0.030	3-19	43	2	09.0524.0.021	3-57	16	1	09.0610.0.002	3-129	17	2
09.0476.0.033	3-21	14	2	09.0524.0.021	3-57	17	1	09.0610.0.002	3-141	16	1
09.0506.0.001	3-67	41	1	09.0524.0.021	3-67	45	2	09.0610.0.002	3-51	23	2
09.0506.0.001	3-69	41	1	09.0524.0.021	3-139	22	2	09.0612.0.001	3-29	9	1
09.0506.0.002	3-43	26	12	09.0524.0.021	3-141	27	2	09.0612.0.001	3-45	22	1
09.0506.0.002	3-171	28	3	09.0524.0.021	3-153	13	1	09.0612.0.001	3-49	13	1
09.0508.0.002	3-53	28	1	09.0524.0.021	3-69	45	2	09.0612.0.001	3-169	29	1
09.0510.0.001	3-31	24	4	09.0525.0.001	3-59	16	2	09.0612.0.002	3-53	24	1
09.0510.0.001	3-57	10	1	09.0525.0.001	3-77	16	4	09.0612.0.002	3-57	13	1
09.0510.0.001	3-169	28	1	09.0525.0.001	3-185	10	2	09.0615.0.001	3-77	13	4
09.0510.0.001	3-53	38	4	09.0525.0.001	3-187	19	2	09.0615.0.001	3-117	27	3
09.0510.0.001	3-67	32	1	09.0530.0.001	3-83	8	2	09.0615.0.001	3-119	9	3
09.0510.0.001	3-69	32	1	09.0530.0.001	3-139	10	2	09.0615.0.001	3-121	10	1
09.0510.0.002	3-141	21	1	09.0530.0.001	3-141	17	2	09.0615.0.001	3-169	30	1
09.0510.0.002	3-59	23	2	09.0530.0.001	3-73	17	2	09.0615.0.001	3-59	17	1
				09.0535.0.001	3-33	6	2	09.0615.0.001	3-73	14	1
<b>09.0512.0.001</b>				09.0535.0.001	3-83	9	2	09.0615.0.002	3-53	35	1
09.0512.0.001	3-73	18	2					09.0615.0.002	3-77	14	4
09.0512.0.001	3-89	9	2	<b>09.0540.0.001</b>				09.0616.0.002	3-127	19	1
09.0512.0.001	3-117	24	2	09.0540.0.001	3-185	11	2	09.0616.0.003	3-127	21	1
09.0512.0.001	3-139	13	1	09.0545.0.001	3-73	15	4				
09.0512.0.001	3-53	29	1	09.0555.0.001	3-139	15	2	<b>09.0620.0.001</b>			
09.0512.0.003	3-127	20	4	09.0595.0.033	3-15	36	1	09.0620.0.001	3-53	26	2
09.0512.0.005	3-187	21	2	09.0595.0.033	3-21	13	2	09.0620.0.001	3-73	13	2
09.0515.0.001	3-53	30	1	09.0595.0.033	3-65	12	2	09.0620.0.001	3-121	13	1
09.0515.0.001	3-81	15	1	09.0605.0.004	3-147	14	1	09.0620.0.002	3-33	8	2
09.0515.0.001	3-137	15	2	09.0606.0.002	3-117	23	2	09.0620.0.002	3-75	20	4
09.0515.0.001	3-139	14	2	09.0606.0.002	3-121	8	1	09.0620.0.002	3-77	17	2
09.0515.0.001	3-143	6	2	09.0608.0.002	3-29	11	4	09.0620.0.033	3-129	19	1
09.0515.0.001	3-161	15	1	09.0608.0.002	3-45	19	2	09.0624.0.020	3-73	20	4
09.0515.0.001	3-163	13	1	09.0608.0.002	3-75	17	12	09.0624.0.021	3-83	11	4
09.0515.0.001	3-171	25	1	09.0608.0.002	3-81	14	1	09.0625.0.001	3-123	4	2
09.0515.0.001	3-49	12	2	09.0608.0.002	3-83	10	2	09.0625.0.001	3-183	9	2
09.0515.0.001	3-59	15	2	09.0608.0.002	3-161	14	1	09.0625.0.001	3-57	11	2
09.0515.0.001	3-61	10	3	09.0608.0.002	3-163	12	1	09.0625.0.002	3-43	27	1
09.0515.0.002	3-75	19	4	09.0608.0.002	3-169	32	1	09.0625.0.002	3-53	25	2
09.0520.0.001	3-53	32	1	09.0608.0.002	3-171	29	1	09.0625.0.003	3-31	22	4
09.0520.0.001	3-53	39	4	09.0608.0.002	3-117	21	6	09.0630.0.001	3-31	21	3
09.0520.0.001	3-153	11	2	09.0608.0.002	3-117	31	1	09.0630.0.001	3-53	33	2
09.0520.0.001	3-187	18	1	09.0608.0.033	3-45	20	1	09.0630.0.001	3-77	15	2
09.0520.0.001	3-65	11	2	09.0610.0.001	3-33	7	3	09.0630.0.001	3-129	14	2
09.0520.0.003	3-87	12	4	09.0610.0.001	3-129	13	1	09.0630.0.001	3-179	7	4

Revised 01/2007

e-mail: [service@amfreece.cz](mailto:service@amfreece.cz); [parts@amfreece.cz](mailto:parts@amfreece.cz); website: [www.amfreece.com](http://www.amfreece.com)

Phones: +420 582 309 146 (Service), +420 582 309 286 (Spare Parts); Fax: +420 582 360 606

# INDEX

PART NUMBER	PAGE	DET	QTY	PART NUMBER	PAGE	DET	QTY	PART NUMBER	PAGE	DET	QTY
09.0630.0.001	3-47	4	2	68.0010.0.003	3-23	1	1	68.0010.0.042	3-15	19	1
09.0630.0.001	3-53	37	2	68.0010.0.004	3-23	2	1	68.0010.0.043	3-15	20	1
09.0630.0.002	3-53	36	1	68.0010.0.004	3-51	1	1	68.0010.0.044	3-15	21	1
09.0630.0.003	3-57	9	3	68.0010.0.005	3-13	1	1	68.0010.0.045	3-15	22	2
09.0630.0.005	3-183	10	2	68.0010.0.006	3-13	2	1	68.0010.0.046	3-15	23	1
09.0630.0.005	3-185	12	2	68.0010.0.006	3-159	1	1	68.0010.0.047	3-15	24	1
09.0635.0.030	3-21	15	1	68.0010.0.007	3-13	3	1	68.0010.0.049	3-15	25	1
09.0635.0.032	3-13	17	2	68.0010.0.007	3-159	2	1				
09.0635.0.032	3-17	13	3	68.0010.0.008	3-13	4	2	<b>68.0010.0.050</b>			
09.0635.0.032	3-25	10	5	68.0010.0.008	3-159	3	2	68.0010.0.050	3-15	26	1
09.0635.0.032	3-159	21	2	68.0010.0.010	3-13	5	1	68.0010.0.051	3-17	1	1
09.0635.0.033	3-17	11	2	68.0010.0.010	3-29	1	1	68.0010.0.051	3-29	2	1
09.0635.0.033	3-25	11	7	68.0010.0.011	3-13	6	1	68.0010.0.052	3-17	2	1
09.0640.0.001	3-57	14	1	68.0010.0.011	3-159	4	1	68.0010.0.053	3-17	3	1
09.0640.0.001	3-117	30	4	68.0010.0.012	3-13	7	1	68.0010.0.054	3-17	4	1
09.0655.0.001	3-73	12	1	68.0010.0.013	3-13	8	1	68.0010.0.055	3-17	5	1
09.0714.0.033	3-17	12	2	68.0010.0.013	3-159	5	1	68.0010.0.055	3-25	1	1
09.0808.0.002	3-119	8	1	68.0010.0.014	3-13	9	1	68.0010.0.056	3-17	6	1
09.0810.0.001	3-121	9	2	68.0010.0.014	3-159	6	1	68.0010.0.059	3-17	7	1
09.0810.0.001	3-129	15	2	68.0010.0.015	3-13	10	1	68.0010.0.061	3-17	8	1
09.0810.0.002	3-51	19	2	68.0010.0.015	3-159	7	1	68.0010.0.062	3-17	9	1
09.0812.0.002	3-67	39	1	68.0010.0.016	3-13	11	1	68.0010.0.063	3-15	27	2
09.0812.0.002	3-69	39	1	68.0010.0.016	3-159	8	1	68.0010.0.066	3-17	10	1
09.0815.0.001	3-119	7	2	68.0010.0.018	3-13	12	1	68.0010.0.068	3-19	1	1
09.0815.0.001	3-121	12	1	68.0010.0.018	3-159	9	1	68.0010.0.069	3-19	2	1
09.0820.0.001	3-153	12	2	68.0010.0.019	3-13	13	1	68.0010.0.070	3-19	3	1
09.0825.0.001	3-129	16	1	68.0010.0.019	3-159	10	1	68.0010.0.071	3-19	4	1
				68.0010.0.020	3-13	14	1	68.0010.0.072	3-19	5	1
<b>09.0830.0.001</b>				68.0010.0.020	3-159	11	1	68.0010.0.073	3-19	6	1
09.0830.0.001	3-51	25	2	68.0010.0.022	3-15	2	1	68.0010.0.075	3-19	7	3
09.0830.0.001	3-73	16	6	68.0010.0.024	3-15	3	1	68.0010.0.076	3-19	8	2
09.0830.0.001	3-117	29	1	68.0010.0.025	3-15	4	1	68.0010.0.077	3-19	9	1
09.0830.0.001	3-121	11	1	68.0010.0.026	3-15	5	1	68.0010.0.078	3-19	10	1
09.0835.0.001	3-83	7	4	68.0010.0.027	3-15	6	1	68.0010.0.079	3-19	11	1
09.0835.0.001	3-73	19	6	68.0010.0.028	3-15	7	1	68.0010.0.080	3-19	12	1
09.0835.0.002	3-75	18	2	68.0010.0.029	3-15	8	1	68.0010.0.081	3-19	13	4
09.0855.0.001	3-83	14	2	68.0010.0.031	3-15	9	1	68.0010.0.081	3-27	1	5
09.0855.0.001	3-85	2	2	68.0010.0.032	3-15	10	1	68.0010.0.082	3-19	14	2
09.1824.0.021	3-117	39	2	68.0010.0.033	3-15	11	1	68.0010.0.083	3-19	15	1
09.2506.0.005	3-23	16	2	68.0010.0.034	3-15	12	1	68.0010.0.084	3-19	16	1
09.2510.0.033	3-59	25	5	68.0010.0.035	3-15	13	1	68.0010.0.085	3-19	17	1
09:0005.0.011	3-53	47	1	68.0010.0.037	3-15	14	1	68.0010.0.086	3-19	18	1
38.0020.0.002	3-55	4	1	68.0010.0.038	3-15	15	1	68.0010.0.087	3-19	19	1
				68.0010.0.039	3-15	16	2	68.0010.0.088	3-19	20	1
68.0010.0.001				68.0010.0.040	3-15	17	1	68.0010.0.088	3-27	2	1
68.0010.0.001	3-11	1	1	68.0010.0.041	3-15	18	1	68.0010.0.089	3-19	21	1

Revised 01/2007

e-mail: [service@amfreece.cz](mailto:service@amfreece.cz); [parts@amfreece.cz](mailto:parts@amfreece.cz); website: [www.amfreece.com](http://www.amfreece.com)

Phones: +420 582 309 146 (Service), +420 582 309 286 (Spare Parts); Fax: +420 582 360 606

**INDEX**

PART NUMBER	PAGE	DET	QTY	PART NUMBER	PAGE	DET	QTY	PART NUMBER	PAGE	DET	QTY
68.0010.0.090	3-19	22	1	68.0010.0.143	3-25	2	1	68.0012.0.003	3-31	2	1
68.0010.0.091	3-19	23	1	68.0010.0.144	3-25	3	1	68.0012.0.004	3-31	3	1
68.0010.0.092	3-19	24	1	68.0010.0.145	3-25	4	2	68.0012.0.005	3-31	4	1
68.0010.0.093	3-19	25	1	68.0010.0.148	3-25	5	1	68.0012.0.006	3-31	5	2
68.0010.0.094	3-19	26	1	68.0010.0.149	3-25	6	1	68.0012.0.007	3-31	6	2
68.0010.0.095	3-19	27	1	68.0010.0.150	3-25	7	1	68.0012.0.008	3-31	7	1
68.0010.0.096	3-19	28	1	68.0010.0.151	3-25	8	1	68.0012.0.011	3-33	2	1
68.0010.0.097	3-19	29	1	68.0010.0.153	3-27	3	1	68.0012.0.013	3-31	8	1
68.0010.0.098	3-19	30	1	68.0010.0.154	3-25	9	1	68.0012.0.014	3-33	3	1
68.0010.0.099	3-19	31	1	68.0010.0.155	3-27	4	3	68.0012.0.060	3-31	9	1
68.0010.0.100	3-19	32	1	68.0010.0.156	3-27	5	2	68.0012.0.061	3-31	10	1
68.0010.0.101	3-19	33	1	68.0010.0.157	3-27	6	1	68.0012.0.062	3-31	11	1
68.0010.0.102	3-19	34	1	68.0010.0.158	3-27	7	1	68.0012.0.063	3-31	12	1
68.0010.0.103	3-19	35	1	68.0010.0.159	3-27	8	1	68.0012.0.064	3-31	13	1
68.0010.0.104	3-19	36	1	68.0010.0.160	3-27	9	1	68.0012.0.065	3-31	14	1
68.0010.0.105	3-19	37	1	68.0010.0.161	3-27	10	2	68.0012.0.066	3-31	15	1
68.0010.0.106	3-19	38	1	68.0010.0.162	3-27	11	1	68.0012.0.066	3-33	4	1
68.0010.0.107	3-19	39	1	68.0010.0.163	3-27	12	2	68.0012.0.067	3-31	16	1
68.0010.0.108	3-19	40	1	68.0010.0.164	3-27	13	2	68.0012.0.068	3-31	17	2
68.0010.0.109	3-19	41	1	68.0010.0.165	3-27	14	2	68.0012.0.069	3-31	18	1
				68.0010.0.166	3-27	15	2	68.0012.0.070	3-31	19	1
<b>68.0010.0.110</b>				68.0010.0.167	3-27	16	1	68.0012.0.070	3-33	5	1
68.0010.0.110	3-23	3	1	68.0010.0.168	3-27	17	1	68.0014.0.060	3-41	1	1
68.0010.0.111	3-21	1	1	68.0010.0.169	3-27	18	1	68.0014.0.060	3-141	1	1
68.0010.0.112	3-21	2	1	68.0010.0.170	3-27	19	1	68.0014.0.061	3-41	2	1
68.0010.0.113	3-21	3	1	68.0010.0.171	3-27	20	1	68.0014.0.062	3-41	3	1
68.0010.0.116	3-21	4	1	68.0010.0.172	3-27	21	1	68.0015.0.001	3-43	1	1
68.0010.0.117	3-21	5	1	68.0010.0.173	3-27	22	1	68.0015.0.002	3-43	2	1
68.0010.0.118	3-21	6	1	68.0010.0.175	3-27	23	1	68.0015.0.003	3-43	3	1
68.0010.0.121	3-21	7	1	68.0010.0.176	3-27	24	1	68.0015.0.003	3-45	1	1
68.0010.0.122	3-21	8	1	68.0010.0.177	3-29	3	1	68.0015.0.004	3-43	4	1
68.0010.0.123	3-21	9	1	68.0010.0.178	3-29	4	1	68.0015.0.005	3-43	5	1
68.0010.0.124	3-21	10	1	68.0010.0.179	3-29	5	1	68.0015.0.006	3-43	6	1
68.0010.0.125	3-21	11	2	68.0010.0.180	3-29	6	1	68.0015.0.007	3-43	7	1
68.0010.0.129	3-21	12	1	68.0010.0.181	3-29	7	1	68.0015.0.008	3-43	8	1
68.0010.0.131	3-23	4	1	68.0010.0.182	3-29	8	1	68.0015.0.010	3-43	9	1
68.0010.0.132	3-23	5	1	68.0010.0.196	3-27	25	1	68.0015.0.010	3-47	1	1
68.0010.0.133	3-23	6	1					68.0015.0.011	3-43	10	1
68.0010.0.135	3-23	7	1	<b>68.0011.0.001</b>				68.0015.0.012	3-43	11	1
68.0010.0.136	3-23	8	1	68.0011.0.001	3-15	28	1	68.0015.0.013	3-43	12	1
68.0010.0.137	3-51	2	2	68.0011.0.002	3-15	29	1	68.0015.0.014	3-43	13	1
68.0010.0.138	3-51	3	2	68.0011.0.003	3-15	30	1	68.0015.0.015	3-43	14	1
68.0010.0.139	3-23	9	2	68.0011.0.004	3-15	1	1	68.0015.0.016	3-43	15	1
68.0010.0.140	3-23	10	2	68.0011.0.004	3-15	31	1	68.0015.0.017	3-43	16	1
68.0010.0.141	3-23	11	2	68.0011.0.005	3-15	32	1	68.0015.0.018	3-43	17	1
68.0010.0.142	3-23	12	2	68.0011.0.007	3-15	33	1	68.0015.0.019	3-43	18	1

# INDEX

PART NUMBER	PAGE	DET	QTY	PART NUMBER	PAGE	DET	QTY	PART NUMBER	PAGE	DET	QTY
68.0015.0.020	3-43	19	1	68.0019.0.001	3-53	1	1	68.0019.0.032	3-53	16	1
68.0015.0.021	3-43	20	1	68.0019.0.001	3-133	1	1	68.0019.0.033	3-53	17	1
68.0015.0.022	3-43	21	1	68.0019.0.002	3-53	2	1	68.0019.0.034	3-53	18	1
68.0015.0.023	3-43	22	1	68.0019.0.002	3-133	2	1	68.0019.0.035	3-53	19	2
<b>68.0016.0.002</b>				68.0019.0.003	3-53	3	1	68.0019.0.036	3-53	20	2
68.0016.0.002	3-45	2	1	68.0019.0.003	3-133	3	1	68.0019.0.037	3-53	21	2
68.0016.0.003	3-45	3	1	68.0019.0.004	3-53	4	1	68.0019.0.038	3-53	22	1
68.0016.0.004	3-45	4	1	68.0019.0.004	3-133	4	1	68.0019.0.039	3-53	23	1
68.0016.0.005	3-45	5	1	68.0019.0.005	3-53	5	1	68.0019.0.039	3-57	6	1
68.0016.0.006	3-45	6	1	68.0019.0.005	3-133	5	1	68.0019.0.040	3-57	7	1
68.0016.0.007	3-45	7	1	68.0019.0.006	3-53	6	1	68.0019.0.041	3-59	12	1
68.0016.0.008	3-45	8	1	68.0019.0.006	3-133	6	2	68.0019.0.042L	3-173	7	1
68.0016.0.009	3-45	9	1	68.0019.0.007	3-53	7	1	68.0019.0.042L	3-59	13	1
68.0016.0.010	3-45	10	1	68.0019.0.007	3-133	7	1	68.0019.0.042R	3-59	14	1
68.0016.0.011	3-45	11	1	68.0019.0.008	3-53	8	1	68.0019.0.042R	3-173	8	1
68.0016.0.012	3-45	12	1	68.0019.0.008	3-133	8	2	68.0019.0.060L	3-59	9	1
68.0016.0.013	3-45	13	1	68.0019.0.009	3-133	9	1	68.0019.0.060L	3-173	9	1
68.0016.0.013	3-47	2	1	68.0019.0.009	3-53	9	1	68.0019.0.060R	3-59	10	1
68.0016.0.014	3-45	14	1	68.0019.0.009	3-57	1	1	68.0019.0.060R	3-173	10	1
68.0016.0.015	3-45	15	1	68.0019.0.010	3-57	2	1	68.0019.0.061	3-173	11	1
68.0017.0.012	3-49	1	1	68.0019.0.010	3-133	10	2	68.0019.0.061	3-59	11	1
68.0017.0.013	3-49	2	1	68.0019.0.011	3-133	11	1	68.0019.0.070	3-57	8	1
68.0017.0.060	3-49	3	1	68.0019.0.011	3-57	3	1	<b>68.0020.0.001</b>			
68.0017.0.061	3-49	4	1	68.0019.0.012	3-57	4	1	68.0020.0.001	3-61	1	1
68.0017.0.062	3-49	5	1	68.0019.0.012	3-133	12	2	68.0020.0.002	3-61	2	1
68.0017.0.066	3-49	6	1	68.0019.0.013	3-133	13	1	68.0020.0.003	3-61	3	3
68.0017.0.067	3-47	3	1	68.0019.0.014	3-59	3	1	68.0020.0.004	3-61	4	3
68.0017.0.067	3-49	7	1	68.0019.0.014	3-133	14	4	68.0020.0.005	3-61	5	3
68.0017.0.068	3-49	8	1	68.0019.0.015	3-59	4	1	68.0020.0.006	3-61	6	3
68.0018.0.001	3-51	4	2	68.0019.0.015	3-173	6	1	68.0020.0.007	3-61	7	3
68.0018.0.002	3-51	5	2	68.0019.0.016	3-59	5	1	68.0020.0.009	3-61	8	3
68.0018.0.003	3-51	6	2	68.0019.0.017	3-53	10	1	68.0020.0.010	3-61	9	3
68.0018.0.004	3-51	7	1	68.0019.0.018	3-53	11	1	68.0021.0.001	3-63	1	1
68.0018.0.005	3-51	8	2	68.0019.0.018	3-59	1	1	68.0021.0.002	3-63	2	4
68.0018.0.006	3-51	9	1	68.0019.0.019	3-59	2	1	68.0021.0.003	3-63	3	2
68.0018.0.007	3-51	10	1	68.0019.0.020	3-59	6	1	68.0021.0.005	3-63	4	2
68.0018.0.008	3-51	11	1	68.0019.0.021	3-53	12	1	68.0021.0.006	3-63	7	1
68.0018.0.009	3-51	12	1	68.0019.0.021	3-55	1	1	68.0021.0.061	3-63	8	1
68.0018.0.010	3-51	13	1	68.0019.0.022	3-55	2	1	68.0022.0.001	3-147	1	1
68.0018.0.011	3-51	14	1	68.0019.0.022	3-57	5	1	68.0022.0.002	3-147	2	1
68.0018.0.012	3-51	15	1	68.0019.0.023	3-55	3	1	68.0022.0.003	3-147	3	1
68.0018.0.013	3-51	16	1	68.0019.0.023	3-59	7	1	68.0022.0.004	3-147	4	1
68.0018.0.014	3-51	17	1	68.0019.0.024	3-53	13	1	68.0022.0.005	3-147	5	1
<b>68.0019.0.001</b>				68.0019.0.025	3-59	8	1	68.0022.0.006	3-147	6	1
				68.0019.0.030	3-53	14	1	68.0022.0.007	3-147	7	1
				68.0019.0.031	3-53	15	1				

Revised 01/2007

e-mail: [service@amfreece.cz](mailto:service@amfreece.cz); [parts@amfreece.cz](mailto:parts@amfreece.cz); website: [www.amfreece.com](http://www.amfreece.com)

**INDEX**

PART NUMBER	PAGE	DET	QTY	PART NUMBER	PAGE	DET	QTY	PART NUMBER	PAGE	DET	QTY
68.0022.0.008	3-147	8	1	68.0024.0.044	3-69	13	1	68.0025.0.010	3-73	6	1
68.0022.0.009	3-147	9	1	68.0024.0.045	3-67	14	1	68.0025.0.010	3-75	8	1
68.0022.0.010	3-147	10	1	68.0024.0.045	3-69	14	1	68.0025.0.011	3-73	7	1
68.0022.0.011	3-147	11	1	68.0024.0.046	3-67	15	1	68.0025.0.012	3-73	8	1
68.0022.0.012	3-147	12	1	68.0024.0.046	3-69	15	1	68.0025.0.013	3-73	9	1
68.0022.0.013	3-147	13	1	68.0024.0.047L	3-67	16	1	68.0025.0.014	3-75	9	2
68.0023.0.001	3-65	1	1	68.0024.0.047R	3-69	16	1	68.0025.0.015	3-75	10	2
68.0023.0.002	3-65	2	1	68.0024.0.048	3-67	17	1	68.0025.0.016	3-75	11	2
68.0023.0.003	3-65	3	2	68.0024.0.048	3-69	17	1	68.0025.0.017	3-75	12	2
68.0023.0.004	3-65	4	3	68.0024.0.049	3-67	18	2	68.0025.0.040	3-73	10	1
68.0023.0.005	3-65	5	3	68.0024.0.049	3-69	18	2	68.0025.0.060L	3-75	14	1
68.0023.0.006	3-65	6	3	68.0024.0.050	3-67	19	2	68.0025.0.060R	3-75	13	4
68.0023.0.007	3-65	7	3	68.0024.0.050	3-69	19	2	68.0025.0.061	3-75	15	1
68.0023.0.008	3-65	8	1	68.0024.0.051	3-67	20	2	68.0025.0.070	3-73	11	1
68.0023.0.009	3-65	9	1	68.0024.0.051	3-69	20	2	68.0026.0.002	3-77	29	1
68.0023.0.010	3-65	10	2	68.0024.0.052	3-67	21	1	68.0026.0.005	3-77	1	4
68.0023.0.011	3-65	20	1	68.0024.0.052	3-69	21	1	68.0026.0.006	3-77	2	1
				68.0024.0.053L	3-67	22	1	68.0026.0.007	3-77	3	1
<b>68.0024.0.001</b>				68.0024.0.053R	3-69	22	1	68.0026.0.008	3-77	4	1
68.0024.0.001	3-67	1	1	68.0024.0.054L	3-67	23	1	68.0026.0.009	3-77	5	1
68.0024.0.001	3-69	1	1	68.0024.0.054R	3-69	23	1	68.0026.0.060	3-77	6	1
68.0024.0.002	3-67	2	1	68.0024.0.055L	3-67	24	1	68.0026.0.061	3-77	7	1
68.0024.0.002	3-69	2	1	68.0024.0.055R	3-69	24	1	68.0026.0.062	3-77	8	1
68.0024.0.003L	3-67	3	1	68.0024.0.056L	3-67	25	1	68.0026.0.063	3-77	9	1
68.0024.0.003R	3-69	3	1	68.0024.0.056R	3-69	25	1	68.0026.0.064	3-77	10	1
68.0024.0.004L	3-67	4	1	68.0024.0.057	3-67	26	1	68.0026.0.065	3-77	11	1
68.0024.0.004R	3-69	4	1	68.0024.0.057	3-69	26	1	68.0026.0.066	3-77	12	2
68.0024.0.005	3-67	5	1	68.0024.0.058	3-67	27	1	68.0027.0.001	3-79	1	1
68.0024.0.005	3-69	5	1	68.0024.0.058	3-69	27	1	68.0027.0.001	3-109	1	1
68.0024.0.006L	3-67	6	1	68.0024.0.059	3-67	28	1	68.0027.0.002	3-79	2	1
68.0024.0.006R	3-69	6	1	68.0024.0.059	3-69	28	1	68.0027.0.003	3-79	3	1
68.0024.0.007	3-67	7	1	68.0024.0.060	3-67	29	1	68.0027.0.006	3-79	4	1
68.0024.0.007	3-69	7	1	68.0024.0.060	3-69	29	1	68.0027.0.060	3-79	5	1
68.0024.0.008L	3-67	8	1								
68.0024.0.008R	3-69	8	1	<b>68.0025.0.001</b>				<b>68.0028.0.001</b>			
68.0024.0.009 LE	3-71	1	1	68.0025.0.001	3-75	1	1	68.0028.0.001	3-83	1	2
68.0024.0.009 RI	3-71	2	1	68.0025.0.001	3-73	1	1	68.0028.0.003	3-81	3	2
68.0024.0.009L	3-67	9	1	68.0025.0.002	3-73	2	1	68.0028.0.003	3-83	2	2
68.0024.0.009R	3-69	9	1	68.0025.0.003	3-73	3	2	68.0028.0.003	3-161	1	2
68.0024.0.040	3-67	10	1	68.0025.0.004	3-73	4	1	68.0028.0.004	3-81	4	2
68.0024.0.040	3-69	10	1	68.0025.0.006	3-75	2	1	68.0028.0.004	3-161	2	2
68.0024.0.041	3-67	11	2	68.0025.0.007L	3-75	3	1	68.0028.0.005	3-81	5	2
68.0024.0.041	3-69	11	2	68.0025.0.007R	3-75	4	1	68.0028.0.005	3-161	3	2
68.0024.0.043	3-67	12	1	68.0025.0.009	3-73	5	1	68.0028.0.008	3-81	1	1
68.0024.0.043	3-69	12	1	68.0025.0.009	3-75	7	1	68.0028.0.008	3-161	4	1
68.0024.0.044	3-67	13	1	68.0025.0.010	3-71	3	1	68.0028.0.009	3-81	2	2

Revised 01/2007

e-mail: [service@amfreece.cz](mailto:service@amfreece.cz); [parts@amfreece.cz](mailto:parts@amfreece.cz); website: [www.amfreece.com](http://www.amfreece.com)

Phones: +420 582 309 146 (Service), +420 582 309 286 (Spare Parts); Fax: +420 582 360 606

# INDEX

PART NUMBER	PAGE	DET	QTY	PART NUMBER	PAGE	DET	QTY	PART NUMBER	PAGE	DET	QTY
68.0028.0.009	3-161	5	2	68.0029.0.065	3-91	9	1	68.0033.0.019	3-155	1	1
68.0028.0.015	3-81	6	1	68.0029.0.065	3-143	5	1	68.0033.0.060	3-151	5	1
68.0028.0.015	3-161	6	1					68.0033.0.065	3-151	6	1
68.0028.0.016	3-81	7	1	<b>68.0030.0.003</b>				<b>68.0034.0.001</b>			
68.0028.0.016	3-83	3	1	68.0030.0.003	3-109	2	2	68.0034.0.001	3-117	1	1
68.0028.0.016	3-161	7	1	68.0030.0.005	3-87	1	2	68.0034.0.002	3-117	2	1
68.0028.0.018	3-83	15	1	68.0030.0.060	3-87	2	1	68.0034.0.003	3-119	13	1
68.0028.0.040	3-83	4	2	68.0030.0.061	3-87	3	2	68.0034.0.003	3-117	3	1
68.0028.0.060	3-83	5	1	68.0030.0.062	3-87	4	2	68.0034.0.004	3-117	4	1
68.0028.0.065	3-81	8	1	68.0030.0.064	3-87	5	2	68.0034.0.005	3-117	5	1
68.0028.0.065	3-83	6	1	68.0030.0.065	3-87	6	2	68.0034.0.006	3-117	7	1
68.0028.0.065	3-85	1	1	68.0030.0.066	3-87	7	2	68.0034.0.007	3-117	8	1
68.0029.0.002	3-141	3	1	68.0030.0.067	3-87	8	1	68.0034.0.008	3-117	9	1
68.0029.0.003	3-141	6	1	68.0030.0.067	3-91	11	1	68.0034.0.009	3-119	14	1
68.0029.0.004	3-141	8	1	68.0030.0.068	3-87	9	2	68.0034.0.009	3-117	10	1
68.0029.0.005	3-141	9	1	68.0031.0.001	3-89	1	1	68.0034.0.010	3-117	11	1
68.0029.0.006	3-137	1	2	68.0031.0.002	3-89	2	1	68.0034.0.011	3-117	12	1
68.0029.0.006	3-139	1	2	68.0031.0.003	3-89	3	1	68.0034.0.011	3-117	12	1
68.0029.0.006	3-141	13	2	68.0031.0.005	3-89	4	1	68.0034.0.013	3-117	14	1
68.0029.0.007	3-137	2	1	68.0031.0.007	3-89	5	1	68.0034.0.014	3-117	15	1
68.0029.0.008	3-137	3	1	68.0031.0.007	3-91	7	1	68.0034.0.015	3-117	16	1
68.0029.0.009	3-137	4	1	68.0031.0.008	3-89	6	1	68.0034.0.017	3-117	17	1
68.0029.0.010	3-137	5	1	68.0031.0.009	3-89	7	1	68.0034.0.018	3-117	19	1
68.0029.0.011	3-137	6	1	68.0031.0.009	3-91	8	1	68.0034.0.019	3-117	18	1
68.0029.0.012	3-137	7	1	68.0031.0.010	3-89	8	1	68.0034.0.020	3-119	1	1
68.0029.0.013	3-137	8	1	68.0032.0.005	3-91	1	1	68.0034.0.021	3-119	2	1
68.0029.0.014	3-137	9	1	68.0032.0.008	3-91	2	1	68.0034.0.022	3-119	3	1
68.0029.0.015	3-139	2	1	68.0032.0.008	3-105	5	1	68.0034.0.023	3-119	4	1
68.0029.0.016	3-139	3	1	68.0032.0.009	3-91	3	4	68.0034.0.024	3-119	5	1
68.0029.0.017	3-139	4	1	68.0032.0.040	3-91	5	1	68.0034.0.025	3-119	6	1
68.0029.0.018	3-139	5	1	68.0032.0.041	3-91	6	1	68.0034.0.026	3-121	1	1
68.0029.0.019	3-139	6	1	68.0032.0.060	3-91	4	1	68.0034.0.027	3-121	2	2
68.0029.0.020	3-139	7	1	68.0033.0.002	3-151	1	1	68.0034.0.028	3-121	3	1
68.0029.0.021	3-141	14	1	68.0033.0.003	3-151	2	1	68.0034.0.029	3-121	4	1
68.0029.0.022	3-143	1	1	68.0033.0.004	3-151	3	1	68.0034.0.030	3-121	5	1
68.0029.0.024	3-143	2	1	68.0033.0.004	3-153	1	3	68.0034.0.031	3-121	6	1
68.0029.0.027	3-143	3	1	68.0033.0.005	3-151	4	1	68.0034.0.040	3-117	6	1
68.0029.0.028	3-141	15	1	68.0033.0.005	3-153	2	2	68.0034.0.040	3-121	7	2
68.0029.0.040	3-139	9	2	68.0033.0.010	3-153	3	1	68.0034.0.060	3-117	20	1
68.0029.0.040	3-141	4	1	68.0033.0.011	3-153	4	1	68.0034.0.060	3-123	6	1
68.0029.0.041	3-141	5	1	68.0033.0.013	3-153	5	1	68.0034.0.061	3-123	1	1
68.0029.0.042	3-141	7	1	68.0033.0.014	3-153	6	1	68.0034.0.062	3-123	2	1
68.0029.0.043	3-141	10	1	68.0033.0.015	3-153	7	1	68.0034.0.065	3-123	3	1
68.0029.0.044	3-141	11	1	68.0033.0.016	3-153	8	1	68.0035.0.001	3-31	1	1
68.0029.0.045	3-141	12	1	68.0033.0.018	3-153	10	1	68.0035.0.001	3-97	1	1
68.0029.0.060	3-143	4	1	68.0033.0.019	3-153	9	1	68.0035.0.001	3-105	1	1

Revised 01/2007

e-mail: [service@amfreece.cz](mailto:service@amfreece.cz); [parts@amfreece.cz](mailto:parts@amfreece.cz); website: [www.amfreece.com](http://www.amfreece.com)



**INDEX**

PART NUMBER	PAGE	DET	QTY	PART NUMBER	PAGE	DET	QTY	PART NUMBER	PAGE	DET	QTY
68.0035.0.002	3-95	1	1	68.0050.0.0XX	3-39	13	1	68.0056.0.017	3-169	17	1
68.0035.0.002	3-105	2	1	68.0050.0.0XX	3-49	11	1	68.0056.0.018	3-169	18	1
68.0035.0.003	3-99	1	1	68.0051.0.0XX	3-39	14	1	68.0056.0.019	3-169	19	1
68.0035.0.003	3-101	1	1	68.0051.0.0XX	3-81	9	1	68.0056.0.020	3-169	20	1
68.0035.0.003	3-103	1	1	68.0051.0.0XX	3-161	9	1	68.0056.0.021	3-169	21	1
68.0035.0.003	3-105	3	1	68.0052.0.0XX	3-39	15	1	68.0056.0.022	3-169	22	1
68.0035.0.004	3-33	1	1	68.0052.0.000	3-45	16	1	68.0056.0.060	3-169	2	1
68.0035.0.004	3-77	30	1	68.0052.0.0XXL	3-81	10	1	68.0057.0.002	3-171	2	1
68.0035.0.004	3-101	2	1	68.0052.0.0XXL	3-161	10	1	68.0057.0.003	3-171	3	1
68.0035.0.004	3-105	4	1	68.0052.0.0XXR	3-81	11	1	68.0057.0.004	3-171	4	1
68.0035.0.005	3-101	3	1	68.0052.0.0XXR	3-161	11	1	68.0057.0.005	3-171	5	1
68.0035.0.005	3-103	2	1	68.0053.0.001	3-159	12	1	68.0057.0.006	3-171	6	1
68.0035.0.006	3-101	4	1	68.0053.0.002	3-159	13	1	68.0057.0.007	3-171	7	1
68.0035.0.007	3-103	3	1	68.0053.0.003	3-159	14	1	68.0057.0.008	3-171	8	1
68.0035.0.008	3-101	5	1	68.0053.0.004	3-159	15	2	68.0057.0.013	3-171	10	2
68.0035.0.009	3-101	6	1	68.0053.0.005L	3-159	17	1	68.0057.0.016	3-171	12	2
68.0035.0.010	3-101	7	1	68.0053.0.005R	3-159	16	1	68.0057.0.017	3-171	13	1
68.0035.0.011	3-101	8	1	68.0053.0.006L	3-159	19	1	68.0057.0.030	3-171	1	1
<b>68.0036.0.001</b>				68.0053.0.006R	3-159	18	1	68.0057.0.031	3-171	18	1
68.0036.0.001	3-105	6	1	68.0054.0.066	3-161	8	1	68.0057.0.032	3-171	19	1
68.0036.0.002	3-105	7	1	<b>68.0055.0.001</b>				68.0057.0.033	3-171	17	1
68.0036.0.003	3-105	8	1	68.0055.0.001	3-163	1	1	68.0057.0.034	3-171	16	1
68.0036.0.004	3-105	9	1	68.0055.0.002	3-163	2	1	68.0057.0.035	3-171	11	1
68.0036.0.005	3-105	10	1	68.0055.0.003	3-163	3	1	68.0057.0.036	3-171	20	1
68.0036.0.007	3-105	11	1	68.0055.0.004	3-163	4	1	68.0057.0.037	3-171	21	1
68.0037.0.004	3-111	1	0	68.0055.0.005	3-163	5	1	68.0057.0.038	3-171	9	2
68.0037.0.005	3-111	2	0	68.0055.0.006	3-163	6	1	68.0057.0.039	3-171	22	1
68.0037.0.007	3-111	3	0	68.0055.0.007	3-163	7	3	68.0057.0.040	3-171	14	2
68.0040.0.0XX	3-13	15	1	68.0055.0.008	3-163	8	7	68.0057.0.041	3-171	15	2
68.0040.0.0XX	3-39	1	1	68.0055.0.060	3-163	9	1	68.0057.0.060	3-171	33	1
68.0041.0.0XX	3-23	13	1	68.0056.0.001	3-169	1	1	<b>68.0058.0.001L</b>			
68.0041.0.0XX	3-39	2	1	68.0056.0.003	3-169	3	1	68.0058.0.001L	3-173	3	1
68.0041.0.0XX	3-51	18	1	68.0056.0.004	3-169	4	1	68.0058.0.001R	3-173	2	1
68.0042.0.0XX	3-39	3	1	68.0056.0.005	3-169	5	1	68.0058.0.002	3-173	1	1
68.0042.1.0XX	3-39	4	1	68.0056.0.006	3-169	6	1	68.0058.0.010	3-91	10	1
68.0043.0.0XX	3-39	5	1	68.0056.0.007	3-169	7	1	68.0058.0.050	3-173	4	1
68.0043.1.0XX	3-39	6	1	68.0056.0.008	3-169	8	2	68.0058.0.060	3-173	5	1
68.0044.0.0XX	3-39	7	1	68.0056.0.009	3-169	9	1	68.0059.0.001	3-183	1	1
68.0045.0.0XX	3-39	8	1	68.0056.0.010	3-169	10	1	68.0059.0.002	3-183	2	1
68.0046.0.0XX	3-39	9	1	68.0056.0.011	3-169	11	1	68.0059.0.003	3-183	3	2
68.0047.0.0XX	3-39	10	1	68.0056.0.012	3-169	12	1	68.0059.0.004	3-183	4	2
68.0048.0.0XX	3-39	11	1	68.0056.0.013	3-169	13	2	68.0059.0.005	3-183	5	2
68.0048.0.0XX	3-49	9	1	68.0056.0.014	3-169	14	1	68.0059.0.006	3-183	6	2
68.0049.0.0XX	3-39	12	1	68.0056.0.015	3-169	15	1	68.0059.0.007	3-185	1	2
68.0049.0.0XX	3-49	10	1	68.0056.0.016	3-169	16	1	68.0059.0.008	3-185	2	4

## INDEX

PART NUMBER	PAGE	DET	QTY	PART NUMBER	PAGE	DET	QTY	PART NUMBER	PAGE	DET	QTY
68.0059.0.009	3-185	3	4	68.0062.0.011	3-127	11	1				
68.0059.0.010	3-185	4	2	68.0062.0.012	3-127	12	2				
68.0059.0.011	3-185	5	1	68.0062.0.013	3-127	13	1				
68.0059.0.012	3-185	6	2	68.0062.0.014	3-127	14	1				
68.0059.0.013	3-185	7	2	68.0062.0.020	3-127	15	1				
68.0059.0.014	3-187	1	2	68.0062.0.020	3-129	1	1				
68.0059.0.015	3-187	2	1	68.0062.0.021	3-129	2	1				
68.0059.0.016	3-187	3	1	68.0062.0.022	3-129	3	1				
68.0059.0.017	3-187	4	2	68.0062.0.023	3-129	4	1				
68.0059.0.018	3-187	5	2	68.0062.0.024	3-129	5	1				
68.0059.0.019	3-187	6	2	68.0062.0.025	3-129	6	1				
68.0059.0.020	3-187	7	2	68.0062.0.026	3-129	7	2				
68.0059.0.021	3-187	8	1	68.0062.0.027	3-129	8	1				
68.0059.0.022	3-187	9	2	68.0062.0.028	3-129	9	4				
68.0059.0.023	3-187	10	2	68.0062.0.029	3-129	10	1				
68.0059.0.024	3-187	11	2	68.0062.0.030	3-129	11	2				
68.0059.0.025	3-187	12	2								
68.0059.0.026	3-187	13	4								
68.0059.0.030	3-189	1	1								
68.0059.0.054	3-189	2	1								
68.0059.0.055L	3-187	14	1								
68.0059.0.055L	3-189	3	1								
68.0059.0.055R	3-187	15	1								
68.0059.0.055R	3-189	4	1								
68.0059.0.056	3-183	7	1								
68.0059.0.056	3-185	8	1								
68.0059.0.056	3-189	5	1								
68.0059.0.060	3-189	6	1								
<b>68.0060.0.020</b>											
68.0060.0.020	3-133	15	1								
68.0061.0.001	3-179	2	1								
68.0061.0.002	3-179	3	1								
68.0061.0.003	3-179	4	1								
68.0061.0.004	3-179	5	1								
68.0061.0.010	3-179	1	1								
68.0062.0.001	3-127	1	1								
68.0062.0.002	3-127	2	1								
68.0062.0.003	3-127	3	1								
68.0062.0.004	3-127	4	1								
68.0062.0.005	3-127	5	1								
68.0062.0.006	3-127	6	2								
68.0062.0.007	3-127	7	1								
68.0062.0.008	3-127	8	1								
68.0062.0.009	3-127	9	1								
68.0062.0.010	3-127	10	1								

Revised 01/2007

e-mail: [service@amfreece.cz](mailto:service@amfreece.cz); [parts@amfreece.cz](mailto:parts@amfreece.cz); website: [www.amfreece.com](http://www.amfreece.com)

Phones: +420 582 309 146 (Service), +420 582 309 286 (Spare Parts); Fax: +420 582 360 606