

## TABLE OF CONTENTS

---

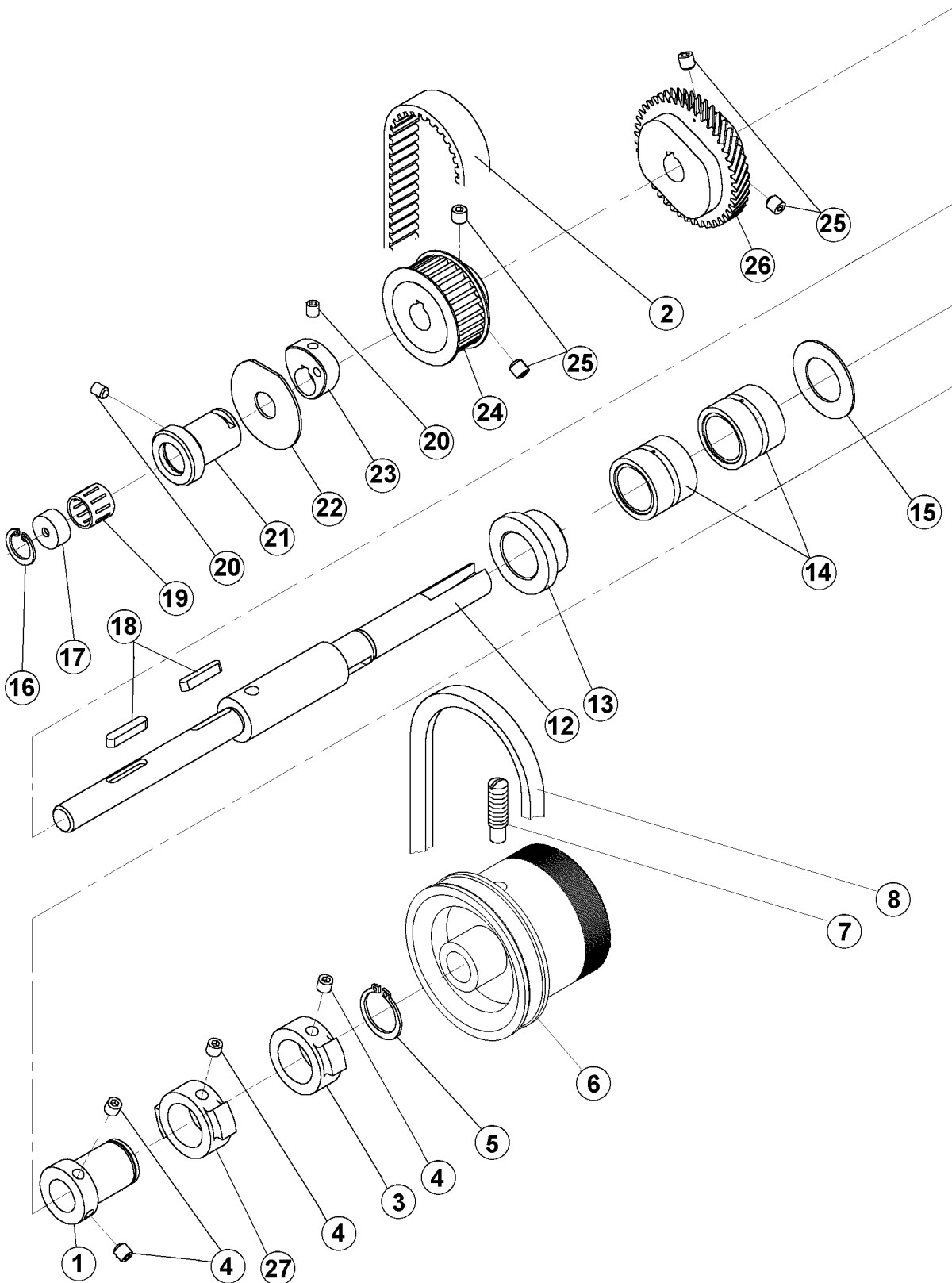
Table of Contents .....	3-1
Main Stitch Shaft.....	3-2
Needle Bar Drive .....	3-4
Bite Adjustments and Barrell .....	3-6
Take-Up Lever .....	3-8
Needle Bar and Gear .....	3-10
Head And Lubrication .....	3-14
Race — AF .....	3-16
Race — CT / LTT .....	3-20
Stitch Shaft and Drive .....	3-26
Turning Mechanism .....	3-28
Cutting Lever Assembly .....	3-30
Knife Drive .....	3-34
Lubrication Mechanism .....	3-36
Base .....	3-38
X-Y Table Movement.....	3-40
Bed Plate Assembly .....	3-44
Clamping - AF.....	3-46
Clamping - CT .....	3-48
Clamping Kit - LTT .....	3-52
Covers .....	3-56
Head Pneumatic Parts Standard .....	3-58
Control Box - Pneumatic Parts .....	3-60
Head Pneumatic Parts - Cord trim—LTT .....	3-62
Table.....	3-64
Control Box - Electronic Parts — I.....	3-66
Control Box - Electronic Parts — II .....	3-70
Control Box - Electronic Parts — III .....	3-72
Electronic Parts .....	3-74
Adjustable Cutting Length Kit .....	3-76
Short Travel Kit .....	3-78
Tools/Accessories .....	3-80
Tools/Accessories/Extra Parts — Tables .....	3-82

**Revised 04 /2004**

**E-mail: [service@amfreece.cz](mailto:service@amfreece.cz); [parts@amfreece.cz](mailto:parts@amfreece.cz) ; website: [www.amfreece.com](http://www.amfreece.com)**

**Phones: +420 582 309 146 (Service), +420 582 309 286 (Spare Parts) ; Fax: +420 582 360 606**

# MAIN STITCH SHAFT



Revised 04/2004

E-mail: [service@amfreece.cz](mailto:service@amfreece.cz); [parts@amfreece.cz](mailto:parts@amfreece.cz); website: [www.amfreece.com](http://www.amfreece.com)

Phones: +420 582 309 146 (Service), +420 582 309 286 (Spare Parts); Fax: +420 582 360 606

## MAIN STITCH SHAFT

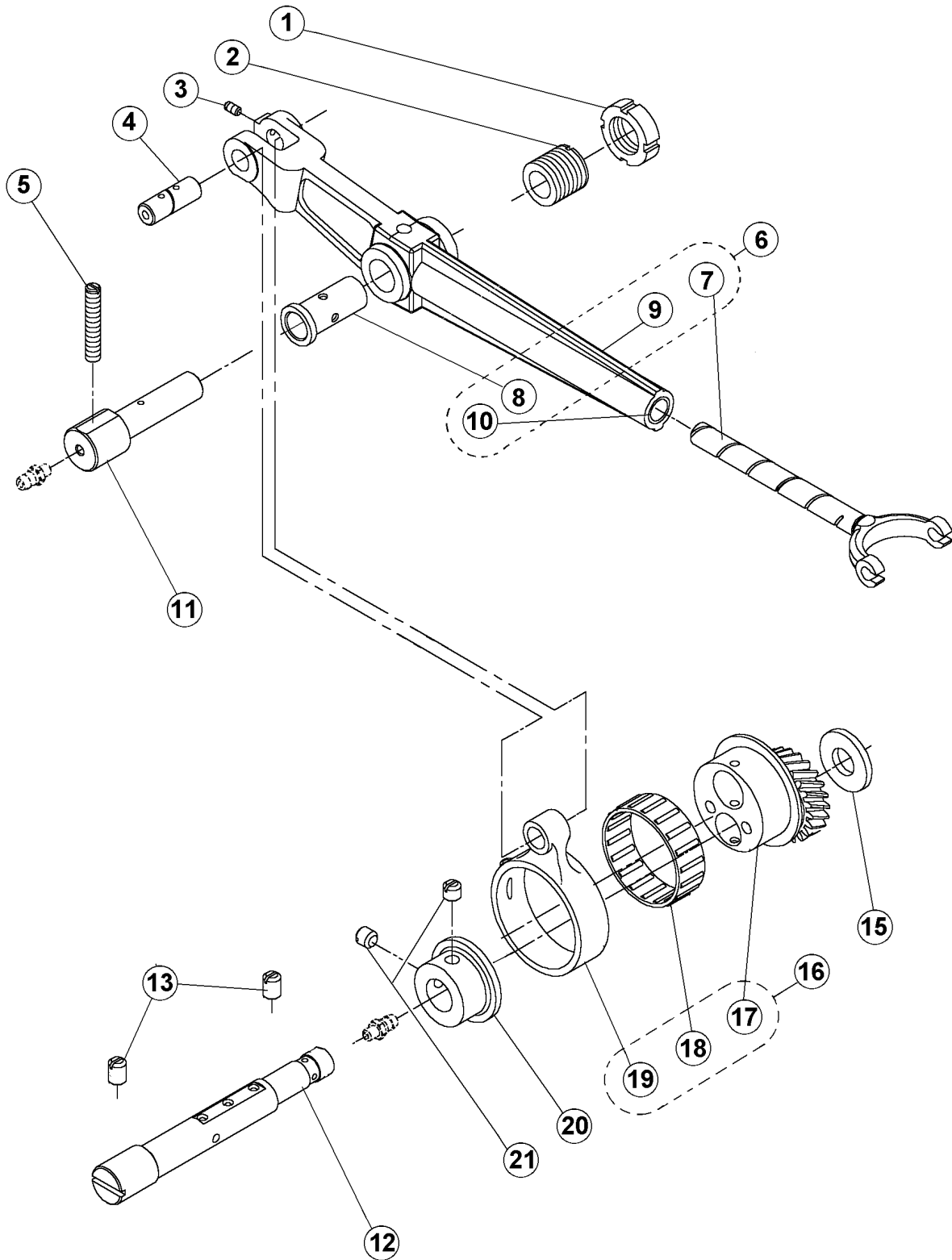
DET	PART NUMBER	DESCRIPTION	QTY.
01	19.0043.6.443	Bushing	1
02	12.5050.2.008	Timing Belt <span style="float: right;">●●●</span>	1
03	19.0044.1.624	Ring Sensor	1
04	17.0011.2.013	Screw	4
05	12.1045.1.002	Retaining Ring 20	1
06	19.0051.0.409	Pulley	1
07	18.0011.3.400	Screw	1
08	12.5050.1.008	V-Belt <span style="float: right;">●●●</span>	1
09			
10			
11			
12	17.0034.9.201	Shaft	1
13	19.0042.5.410	Bushing	1
14	12.2050.1.001	Bearing	2
15	17.0019.0.605	Washer	1
16	12.1040.1.000	U-Clip	1
17	18.0044.1.213	Shim	1
18	17.0021.1.070	Key 4-4-22	2
19	12.2050.0.001	Bearing	1
20	08.6400.5.005	Screw M5x5	2
21	19.0042.2.402	Shaft Bushing	1
22	17.0081.4.376	Washer	1
23	17.0067.2.098	Counterweight	1
24	19.0055.4.410	Pulley <span style="float: right;">●●</span>	1
25	08.6400.6.006	Screw M6x6	4
26	19.0055.2.400	Gear	1
27	19.0044.1.625	Sensor Ring	1

Revised 04 /2004

E-mail: [service@amfreece.cz](mailto:service@amfreece.cz); [parts@amfreece.cz](mailto:parts@amfreece.cz) ; website: [www.amfreece.com](http://www.amfreece.com)

Phones: +420 582 309 146 (Service), +420 582 309 286 (Spare Parts) ; Fax: +420 582 360 606

# NEEDLE BAR DRIVE



Revised 04/2004

E-mail: [service@amfreece.cz](mailto:service@amfreece.cz); [parts@amfreece.cz](mailto:parts@amfreece.cz); website: [www.amfreece.com](http://www.amfreece.com)  
 Phones: +420 582 309 146 (Service), +420 582 309 286 (Spare Parts); Fax: +420 582 360 606

## NEEDLE BAR DRIVE

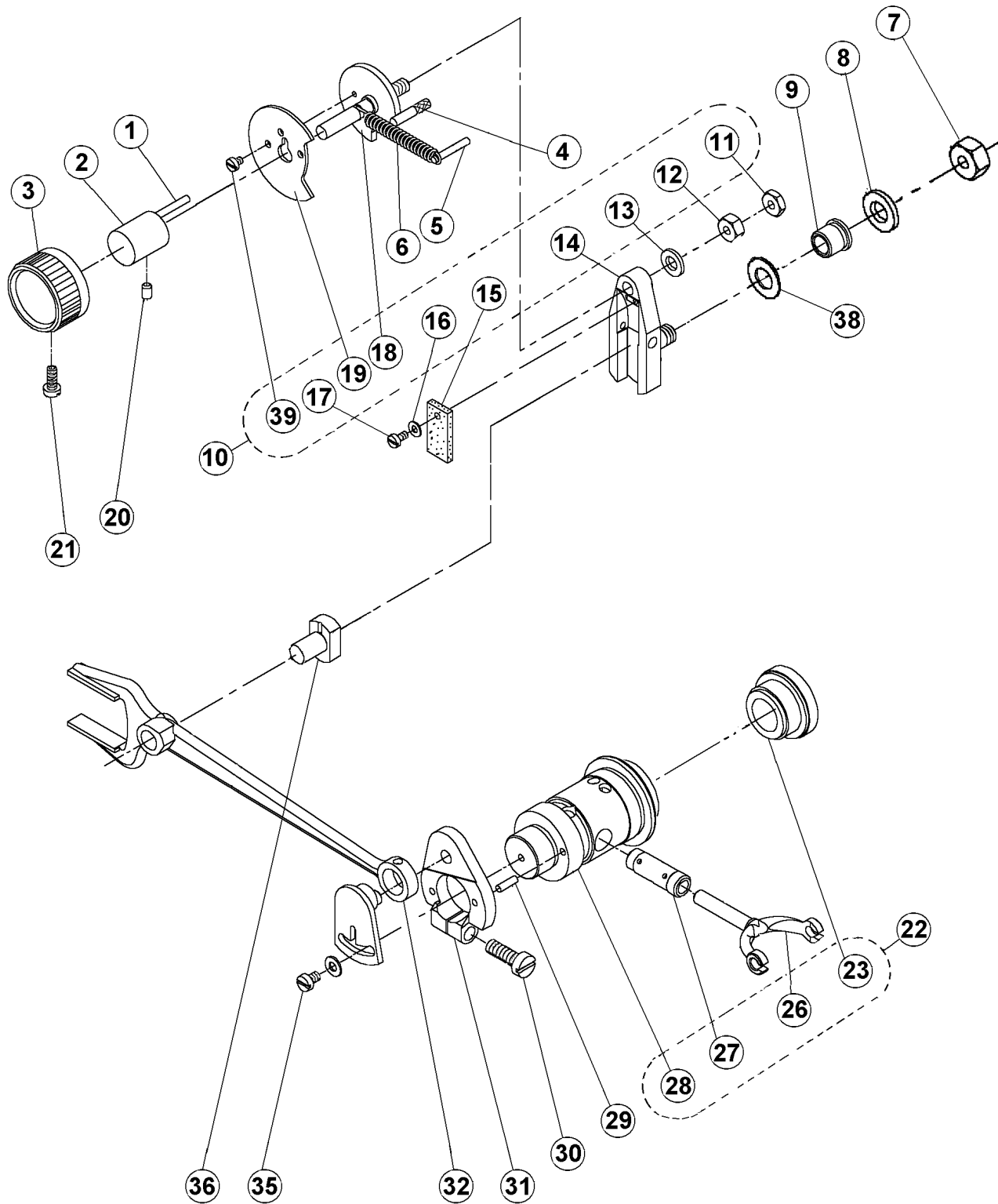
DET	PART NUMBER	DESCRIPTION	QTY.
01	19.0016.3.403	Nut	1
02	19.0013.6.400	Screw	1
03	08.6400.3.006	Screw	1
04	19.0031.8.403	Pin	1
05	08.6400.5.030	Screw	1
06	19.0002.8.103	Needle Bar Lever Assembly	1
07	19.0063.4.401	Yoke	(1)
08	19.0042.1.408	Bushing	(1)
09	_____	Part Of Assembly Only 19.0002.8.103 ●●	(1)
10	_____		(1)
11	19.0032.6.400	Pin	1
12	19.0033.8.405	Shaft Eccentric	1
13	08.6400.6.008	Screw	2
14			
15	17.0019.0.225	Washer	1
16	19.0002.4.401	Eccentric Assembly	1
17	_____	Part Of Assembly Only 19.0002.4.401	(1)
18	12.2050.0.004	Bearing	(1)
19	19.0063.0.400	Rick Link	(1)
20	19.0043.6.442	Guide	1
21	08.6400.6.006	Screw	2

Revised 04 /2004

E-mail: [service@amfreece.cz](mailto:service@amfreece.cz); [parts@amfreece.cz](mailto:parts@amfreece.cz); website: [www.amfreece.com](http://www.amfreece.com)

Phones: +420 582 309 146 (Service), +420 582 309 286 (Spare Parts) ; Fax: +420 582 360 606

**BITE ADJUSTMENTS AND BARRELL**



Revised 04/2004

E-mail: [service@amfreece.cz](mailto:service@amfreece.cz); [parts@amfreece.cz](mailto:parts@amfreece.cz) ; website: [www.amfreece.com](http://www.amfreece.com)  
 Phones: +420 582 309 146 (Service), +420 582 309 286 (Spare Parts) ; Fax: +420 582 360 606

## BITE ADJUSTMENTS AND BARRELL

---

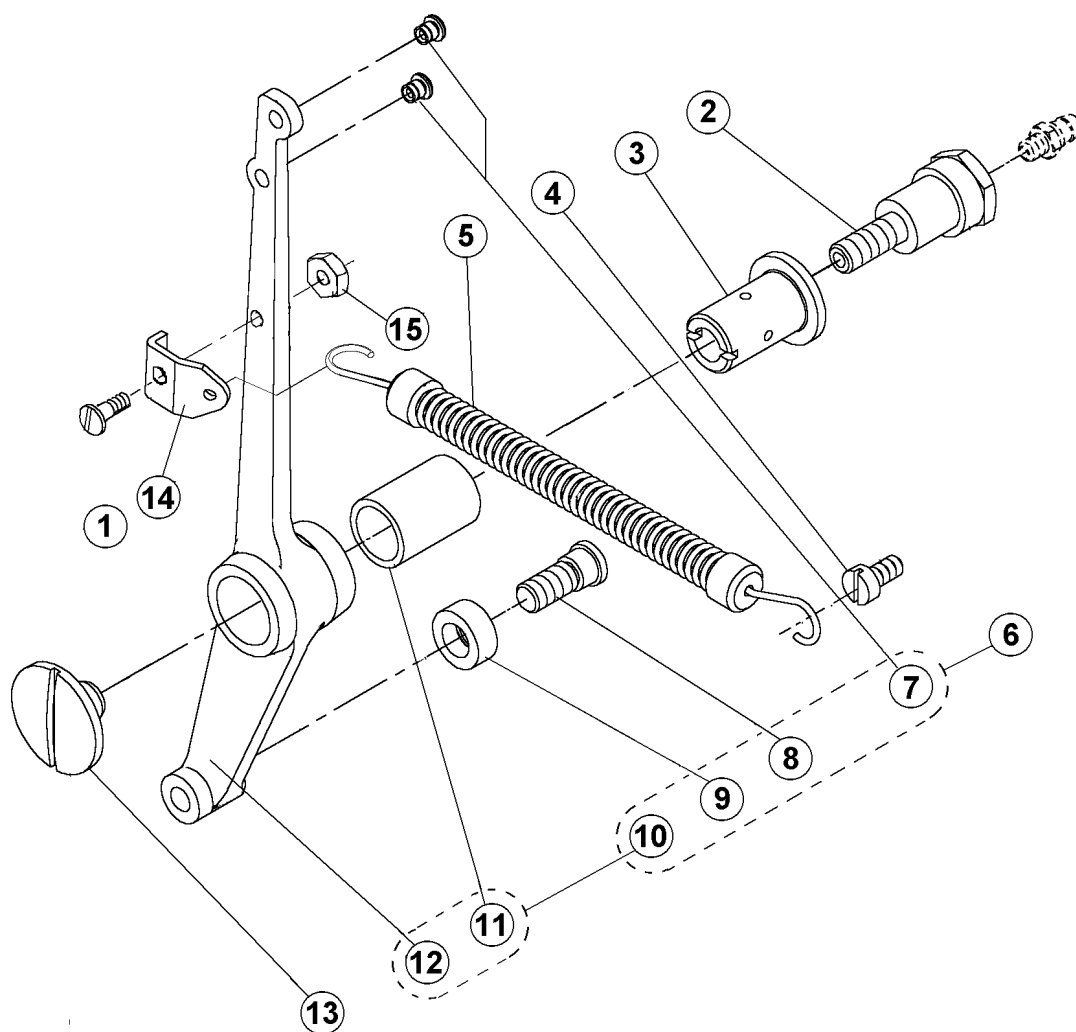
DET	PART NUMBER	DESCRIPTION	QTY.
01	17.0031.0.428	Pin	1
02	18.0031.8.402	Knob Pin	1
03	18.0044.2.641	Knob	1
04	18.0031.3.401	Pin	1
05	17.0031.0.199	Pin	1
06	17.0026.3.123	Spring	1
07	08.6710.8.400	Nut	1
08	18.0019.0.690	Washer	1
09	18.0042.5.405	Bearing	1
10	18.0002.6.089	Bracket Assembly	1
11	17.0016.1.140	Nut	(1)
12	17.0016.1.180	Nut	(1)
13	17.0019.2.061	Curved Spring Washer	(1)
14	18.0064.1.100	Bracket	(1)
15	18.0094.5.319	Felt ●●●	(1)
16	17.0019.0.358	Washer	(1)
17	17.0012.0.328	Screw	(1)
18	17.0004.9.858	Eccentric	(1)
19	17.0081.4.313	Limiter	(1)
20	08.6400.4.005	Screw	1
21	08.6000.4.006	Screw	1
22	19.0002.4.400	Yoke Assembly	1
23	17.0095.1.329	Wheel ●●●	(1)
26	19.0063.4.400	Yoke Fork	(1)
27	—————	Part Of Assembly Only 19.0002.4.400	(1)
28	—————		(1)
29	17.0031.0.425	Pin	1
30	17.0012.1.169	Screw	1
31	19.0063.6.446	Clamp	1
32	17.0063.4.169	Fork Lever	1
33	18.0033.8.400	Eccentric	1
34	08.6850.4.000	Washer	1
35	08.6000.4.008	Screw	1
36	19.0045.1.401	Block	1
37			
38	18.0019.0.689	Washer	1
39	17.0012.0.215	Screw	(1)

Revised 04 /2004

 E-mail: [service@amfreece.cz](mailto:service@amfreece.cz); [parts@amfreece.cz](mailto:parts@amfreece.cz) ; website: [www.amfreece.com](http://www.amfreece.com)

Phones: +420 582 309 146 (Service), +420 582 309 286 (Spare Parts) ; Fax: +420 582 360 606

# TAKE-UP LEVER



Revised 04/2004

E-mail: [service@amfreece.cz](mailto:service@amfreece.cz); [parts@amfreece.cz](mailto:parts@amfreece.cz) ; website: [www.amfreece.com](http://www.amfreece.com)  
Phones: +420 582 309 146 (Service), +420 582 309 286 (Spare Parts) ; Fax: +420 582 360 606



## TAKE-UP LEVER

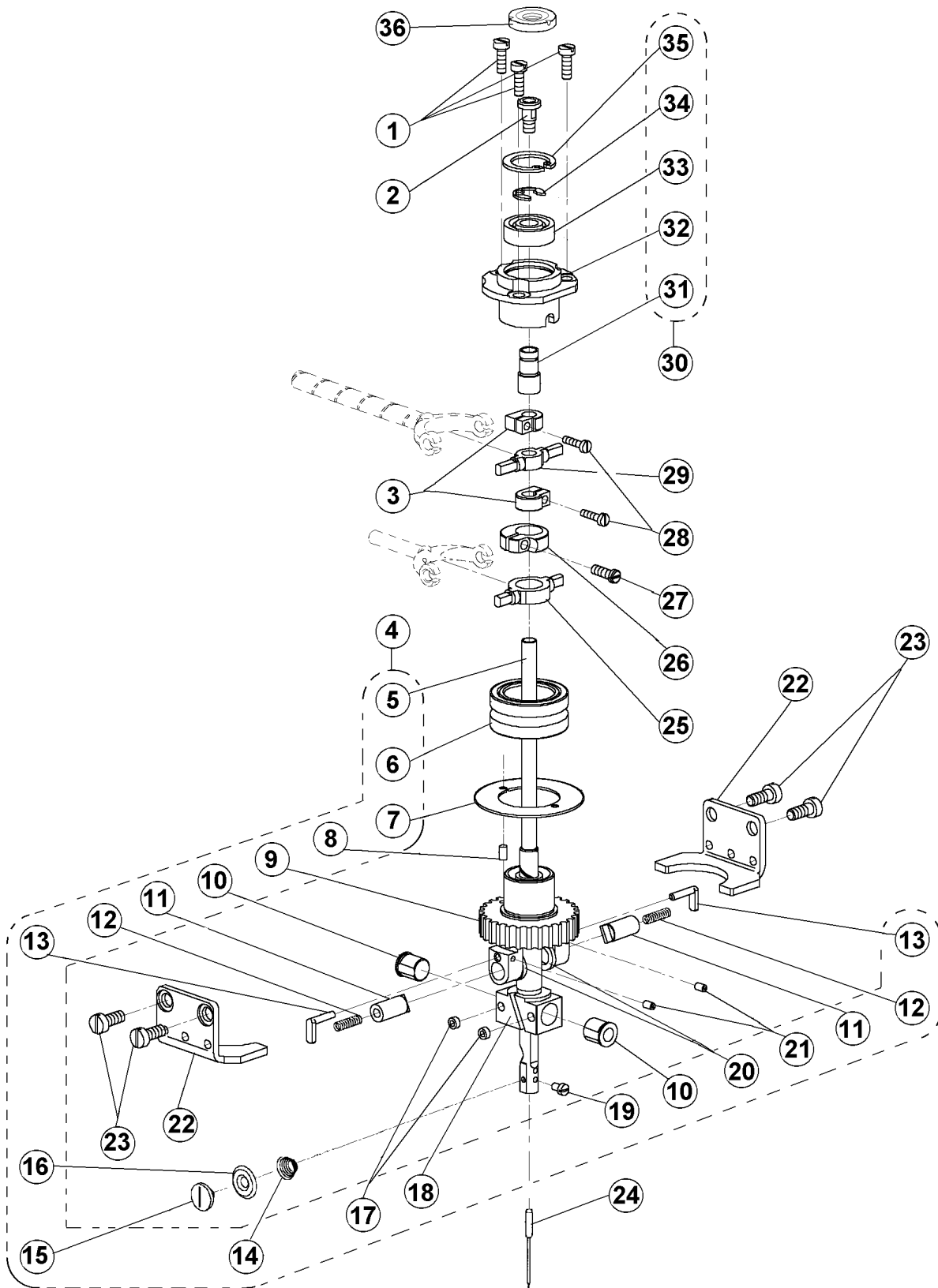
DET	PART NUMBER	DESCRIPTION	QTY.
01	08.6032.3.008	Screw	2
02	19.0014.3.401	Screw	1
03	19.0033.8.403	Stud	4
04	08.6000.4.020	Screw	1
05	19.0026.3.400	Spring	4
06	19.0002.8.104	Take-Up Lever Assembly	1
07	17.0042.1.332	Bushing	1
08	19.0033.2.401	Screw	2
09	17.0041.8.152	Roll	1
10	19.0063.3.400	Take-Up Lever	1
11	12.2080.0.002	Bushing	1
12	—————	Part Of Assembly Only 19.0063.3.400 ●●	1
13	17.0015.3.022	Screw	1
14	19.0082.3.413	Spring Holder	1
15	08.6702.3.000	Nut	1

Revised 04 /2004

E-mail: [service@amfreece.cz](mailto:service@amfreece.cz); [parts@amfreece.cz](mailto:parts@amfreece.cz) ; website: [www.amfreece.com](http://www.amfreece.com)

Phones: +420 582 309 146 (Service), +420 582 309 286 (Spare Parts) ; Fax: +420 582 360 606

# NEEDLE BAR AND GEAR



Revised 04/2004

E-mail: [service@amfreece.cz](mailto:service@amfreece.cz); [parts@amfreece.cz](mailto:parts@amfreece.cz); website: [www.amfreece.com](http://www.amfreece.com)

Phones: +420 582 309 146 (Service), +420 582 309 286 (Spare Parts); Fax: +420 582 360 606

## NEEDLE BAR AND GEAR

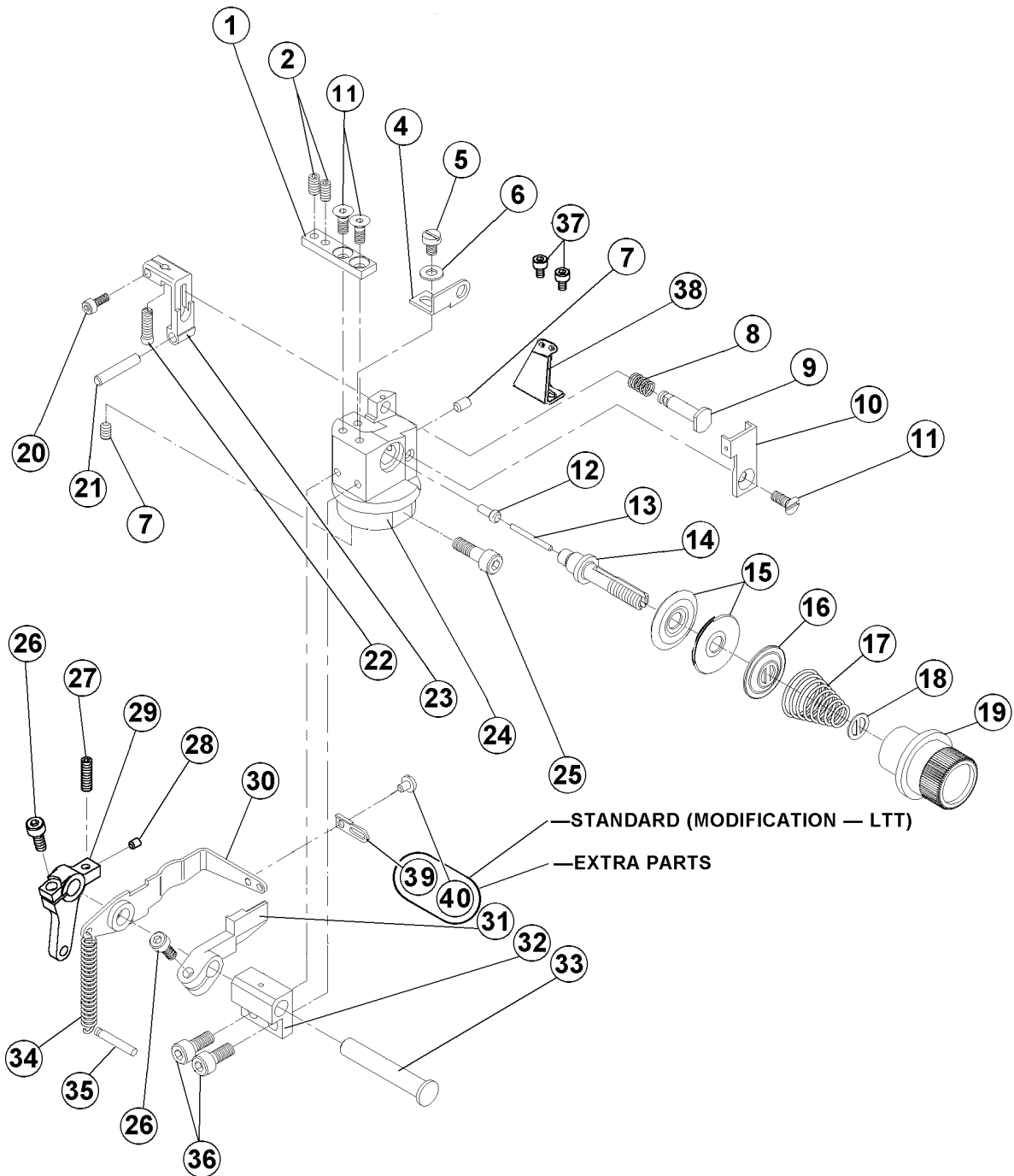
DET	PART NUMBER	DESCRIPTION	QTY.
01	08.6010.4.012	Screw	3
02	17.0042.2.216	Thread Draw-Off	1
03	19.0062.7.405	Clamp	2
04	19.0002.1.400	Needle Bushing Assembly	1
05	17.0002.1.274	Needle Bar	(1)
06	12.2050.1.010	Bushing	(1)
07	19.0019.0.687	Washer	(1)
08	17.0031.0.359	Pin	(1)
09	19.0055.4.403	Gear	(1)
10	18.0031.8.130	Button	(2)
11	17.0031.3.027	Guide	(2)
12	17.0026.1.084	Spring	(2)
13	10.1021.2.000	Retainer	(2)
14	17.0026.2.077	Tension Spring	(1)
15	17.0015.2.053	Screw	(1)
16	17.0082.8.017	Tension Disc	(1)
17	18.0011.2.400	Screw	(2)
18	19.0041.6.401	Needle Bar Guide	(1)
19	17.0012.0.570	Screw	(1)
20	17.0019.1.062	Retainer Washer	(2)
21	08.6400.3.005	Screw	(2)
22	19.0083.4.007	Plate	2
23	08.6010.5.012	Screw	4
24	02.0501.1.111	Needle	1
25	19.0045.3.400	Gimbal	1
26	17.0043.6.351	Clamp	1
27	17.0012.0.543	Screw	1
28	17.0012.0.120	Screw	2
29	19.0045.3.401	Gimbal	1
30	19.0002.4.402	Needle Bar Assembly	1
31	17.0042.1.283	Bushing	(1)
32	19.0044.5.403	Guide	(1)
33	12.2010.1.001	Bushing	(1)
34	17.0027.4.085	Retaining Ring	(1)
35	12.1040.1.001	Retaining Ring	(1)
36	17.0044.2.229	Washer	1

Revised 04 /2004

E-mail: [service@amfreece.cz](mailto:service@amfreece.cz); [parts@amfreece.cz](mailto:parts@amfreece.cz) ; website: [www.amfreece.com](http://www.amfreece.com)

Phones: +420 582 309 146 (Service), +420 582 309 286 (Spare Parts) ; Fax: +420 582 360 606

# THREAD RELEASE



Revised 04/2004

E-mail: [service@amfreece.cz](mailto:service@amfreece.cz); [parts@amfreece.cz](mailto:parts@amfreece.cz) ; website: [www.amfreece.com](http://www.amfreece.com)  
 Phones: +420 582 309 146 (Service), +420 582 309 286 (Spare Parts) ; Fax: +420 582 360 606

## THREAD RELEASE

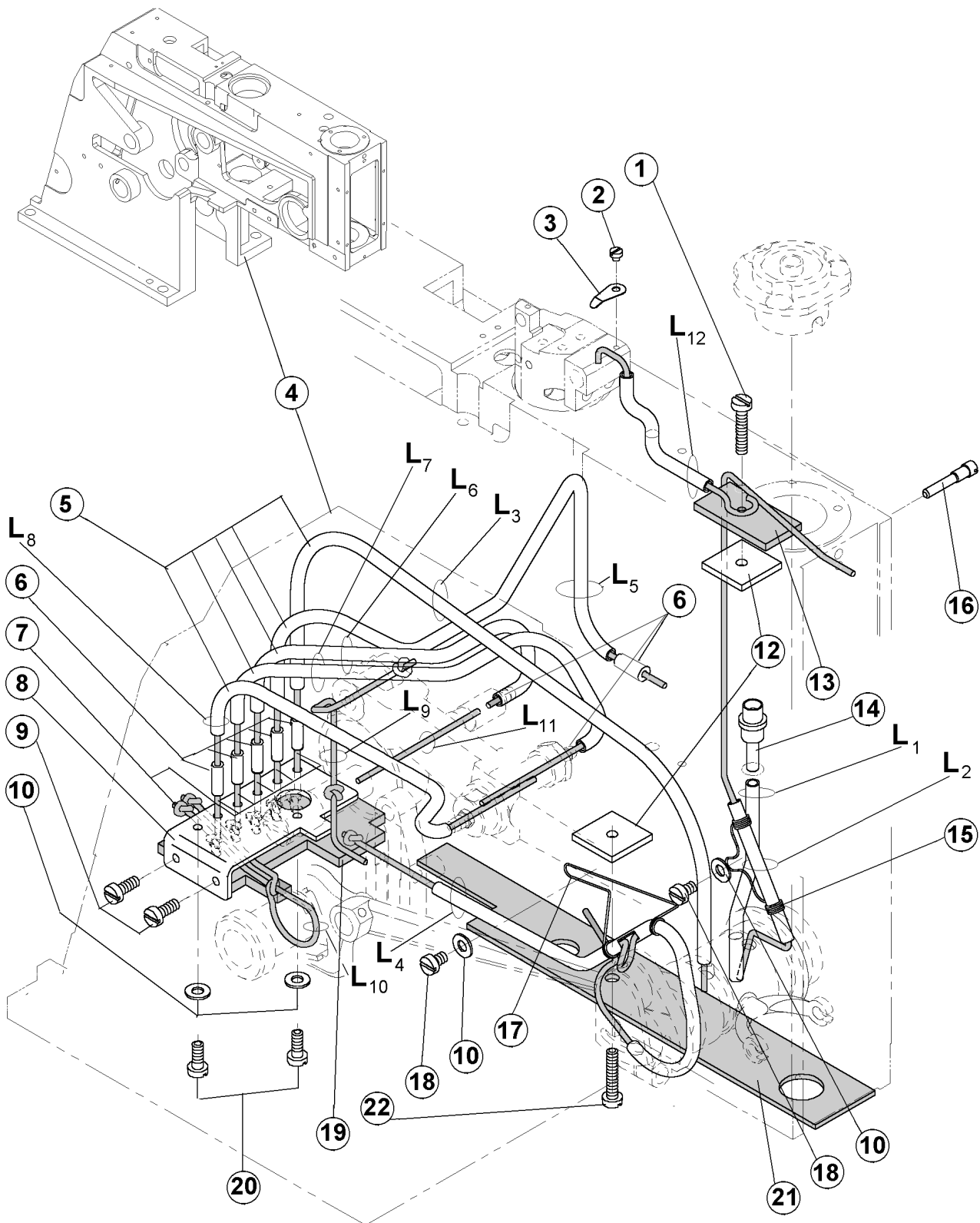
DET	PART NUMBER	DESCRIPTION	QTY.
01	19.0064.6.467	Plate	1
02	08.6400.4.008	Screw	2
03			
04	17.0083.9.239	Adjusting Plate	1
05	08.6000.4.006	Screw	1
06	08.6850.4.000	Washer	1
07	08.6400.4.006	Screw	2
08	17.0026.0.553	Spring	1
09	17.0032.5.035	Needle Thread Presser Pin	1
10	17.0064.6.304	Needle Thread Presser Plate	1
11	08.6100.4.010	Screw	3
12	17.0032.4.059	Presser Plate	1
13	17.0031.1.086	Pin	1
14	17.0011.8.043	Upper Thread Adjusting Bar	1
15	17.0082.8.079	Thread Tension Disc	2
16	17.0082.8.060	Washer	1
17	17.0026.2.072	Spring	1
18	17.0019.5.019	Washer	1
19	19.0017.2.401	Upper Thread Adjusting Nut	1
20	08.6000.3.008	Screw	1
21	17.0033.3.157	Hinge Pin	1
22	19.0032.6.216	Adjusting Screw	1
23	19.0062.5.403	Driving Plate	1
24	17.0044.1.563	Upper Thread Adjusting Base	1
25	08.6000.5.016	Screw	1
26	08.6010.4.010	Screw	2
27	08.6400.4.014	Screw	1
28	08.6400.3.004	Screw	1
29	19.0061.3.603	Draw-Off Lever	1
30	19.0004.7.200	Needle Thread Draw Link Complete	1
31	19.0061.3.604	Disk Releasing Driving Arm	1
32	17.0064.8.140	Link Shaft Base	1
33	19.0032.0.400	Link Shaft	1
34	17.0026.3.251	Spring	1
35	17.0031.0.201	Pin	1
36	08.6000.5.012	Screw	2
37	08.6000.3.005	Screw	2
38	18.0082.1.401	Needle Thread Tension Guide	1
39	19.0082.1.402	Thread Tension Guide	1
40	17.0012.0.605	Screw	1

Revised 04 /2004

E-mail: [service@amfreece.cz](mailto:service@amfreece.cz); [parts@amfreece.cz](mailto:parts@amfreece.cz) ; website: [www.amfreece.com](http://www.amfreece.com)

Phones: +420 582 309 146 (Service), +420 582 309 286 (Spare Parts) ; Fax: +420 582 360 606

# HEAD AND LUBRICATION



Revised 04/2004

E-mail: [service@amfreece.cz](mailto:service@amfreece.cz); [parts@amfreece.cz](mailto:parts@amfreece.cz); website: [www.amfreece.com](http://www.amfreece.com)

Phones: +420 582 309 146 (Service), +420 582 309 286 (Spare Parts); Fax: +420 582 360 606

## HEAD AND LUBRICATION

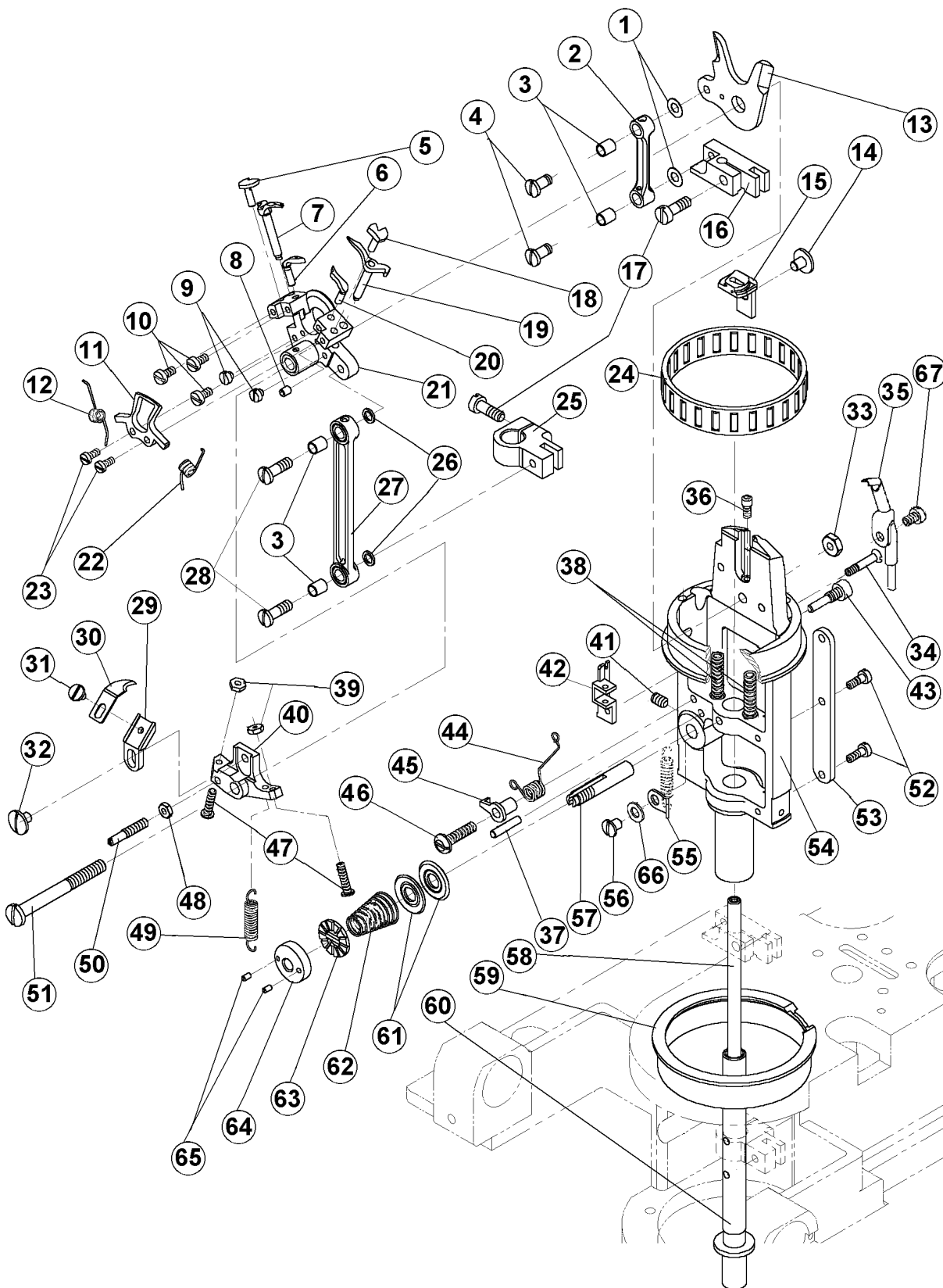
DET	PART NUMBER	DESCRIPTION	QTY.
01	08.6000.4.016	Screw	1
02	17.0012.4.102	Screw M2,5x2	1
03	17.0082.5.884	Clip	1
04	19.0071.3.400	Arm	1
05	19.0094.2.400	Oil Tube L1 = 80 mm L2 = 80 mm L3 = 360 mm L4 = 180 mm L5 = 230 mm L6 = 200 mm L7 = 250 mm L8 = 190 mm L12 = 80 mm	1
06	19.0094.2.409	Joint PM	8
07	19.0094.5.403	Wick L2 = 220 mm L3 = 610 mm L4 = 450 mm L5 = 400 mm L6 = 400 mm L7 = 420 mm L8 = 330 mm L9 = 220 mm L10 = 200 mm L11 = 60 mm L12 = 180 mm	1
08	19.0082.3.407	Plate	1
09	08.6200.4.006	Screw	2
10	08.6850.4.000	Washer	4
11			
12	19.0081.5.415	Plate	2
13	39.0094.5.002	Felt	1
14	19.0042.1.407	Oil Nozzle	1
15	17.0027.1.799	Spring	1
16	17.0013.1.415	Screw	1
17	17.0027.1.413	Wick Guide	1
18	08.6000.4.006	Screw	2
19	19.0094.5.402	Felt	1
20	08.6000.4.010	Screw	2
21	19.0094.5.401	Felt	1
22	08.6000.4.020	Screw	1

Revised 04 /2004

E-mail: [service@amfreece.cz](mailto:service@amfreece.cz); [parts@amfreece.cz](mailto:parts@amfreece.cz) ; website: [www.amfreece.com](http://www.amfreece.com)

Phones: +420 582 309 146 (Service), +420 582 309 286 (Spare Parts) ; Fax: +420 582 360 606

# RACE — AF



Revised 04/2004

E-mail: [service@amfreece.cz](mailto:service@amfreece.cz); [parts@amfreece.cz](mailto:parts@amfreece.cz) ; website: [www.amfreece.com](http://www.amfreece.com)  
Phones: +420 582 309 146 (Service), +420 582 309 286 (Spare Parts) ; Fax: +420 582 360 606



**RACE — AF**

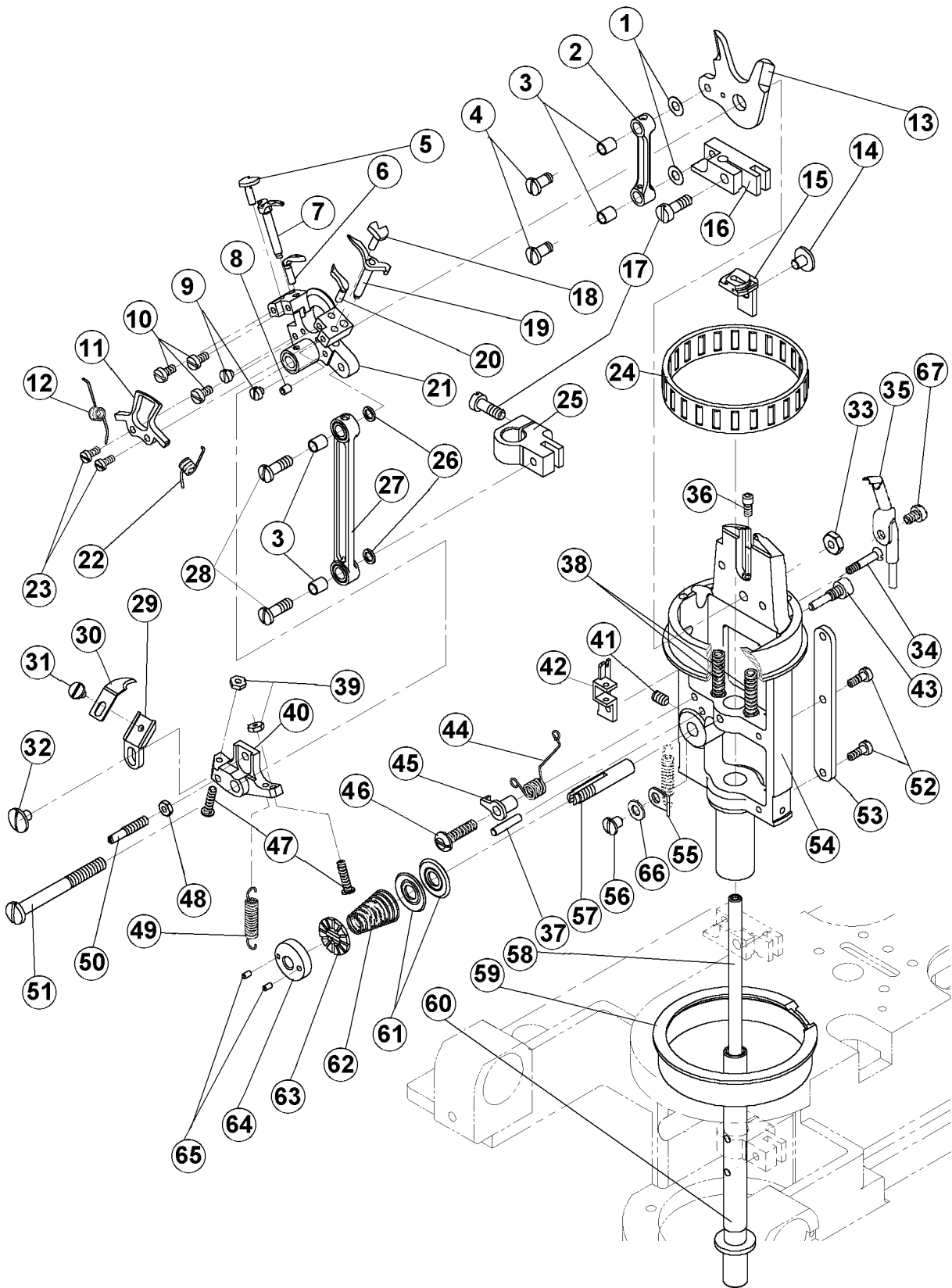
DET	PART NUMBER	DESCRIPTION	QTY.
01	17.0019.0.228	Washer	2
02	17.0063.1.073	Spreader Link	1
03	17.0041.1.094	Roll	4
04	17.0012.1.140	Screw	2
05	17.0033.8.089	L.H. Spreader Stop	1
06	17.0069.4.049	Eye Looper 0,8	1
07	17.0004.9.895	Forked Spreader	1
08	08.6400.3.004	Screw	1
09	17.0012.1.139	Screw	2
10	08.6010.3.006	Screw	3
11	17.0082.5.898	Needle Guard	1
12	17.0026.4.293	L.H. Spring	1
13	18.0081.8.706	Spreader Wedge	1
14	01.2056.0.000	Screw	1
15	10.4012.1.001	Throat Plate	1
16	17.0064.6.117	Clamp	1
17	08.6010.4.012	Screw	2
18	17.0033.8.154	R.H. Spreader Stop	1
19	17.0004.9.894	R.H. Spreader	1
20	17.0069.4.048	Blind Looper	1
21	17.0003.5.711	Looper Carrier	1
22	17.0026.4.292	R.H. Spring	1
23	17.0012.0.404	Screw	2
24	12.2050.0.008	Bushing	1
25	17.0074.4.405	Clamp	1
26	17.0019.1.088	Washer	2
27	17.0004.4.829	Looper Link	1
28	17.0012.1.142	Screw	2
29	19.0082.3.410	Knife Holder	1
30	17.0087.0.204	Knife	1
31	17.0012.0.605	Screw	1
33	08.6710.5.000	Nut	1
32	17.0012.4.106	Screw	1
34	08.6100.3.016	Screw	1
35	19.0002.5.409	Guide Assembly	1
36	17.0012.2.400	Screw	1
37	17.0031.0.406	Pin	1
38	17.0026.0.215	Screw	2
39	08.6700.3.000	Nut	2
40	19.0064.6.468	Lever	1
41	08.6400.4.006	Screw	1
42	19.0082.1.404	Thread Guide	1
43	19.0013.0.001	Screw	1
44	17.0026.4.035	Spring	1
45	17.0064.7.162	Plate	1
46	08.6200.4.012	Screw	1
47	17.0013.6.081	Screw	2
48	17.0016.1.214	Nut	1
49	17.0026.3.173	Spring	1
50	19.0011.0.400	Screw	1

Revised 04 /2004

E-mail: [service@amfreece.cz](mailto:service@amfreece.cz); [parts@amfreece.cz](mailto:parts@amfreece.cz); website: [www.amfreece.com](http://www.amfreece.com)

Phones: +420 582 309 146 (Service), +420 582 309 286 (Spare Parts); Fax: +420 582 360 606

# RACE — AF



Revised 04/2004

E-mail: [service@amfreece.cz](mailto:service@amfreece.cz); [parts@amfreece.cz](mailto:parts@amfreece.cz) ; website: [www.amfreece.com](http://www.amfreece.com)  
Phones: +420 582 309 146 (Service), +420 582 309 286 (Spare Parts) ; Fax: +420 582 360 606

**RACE — AF**



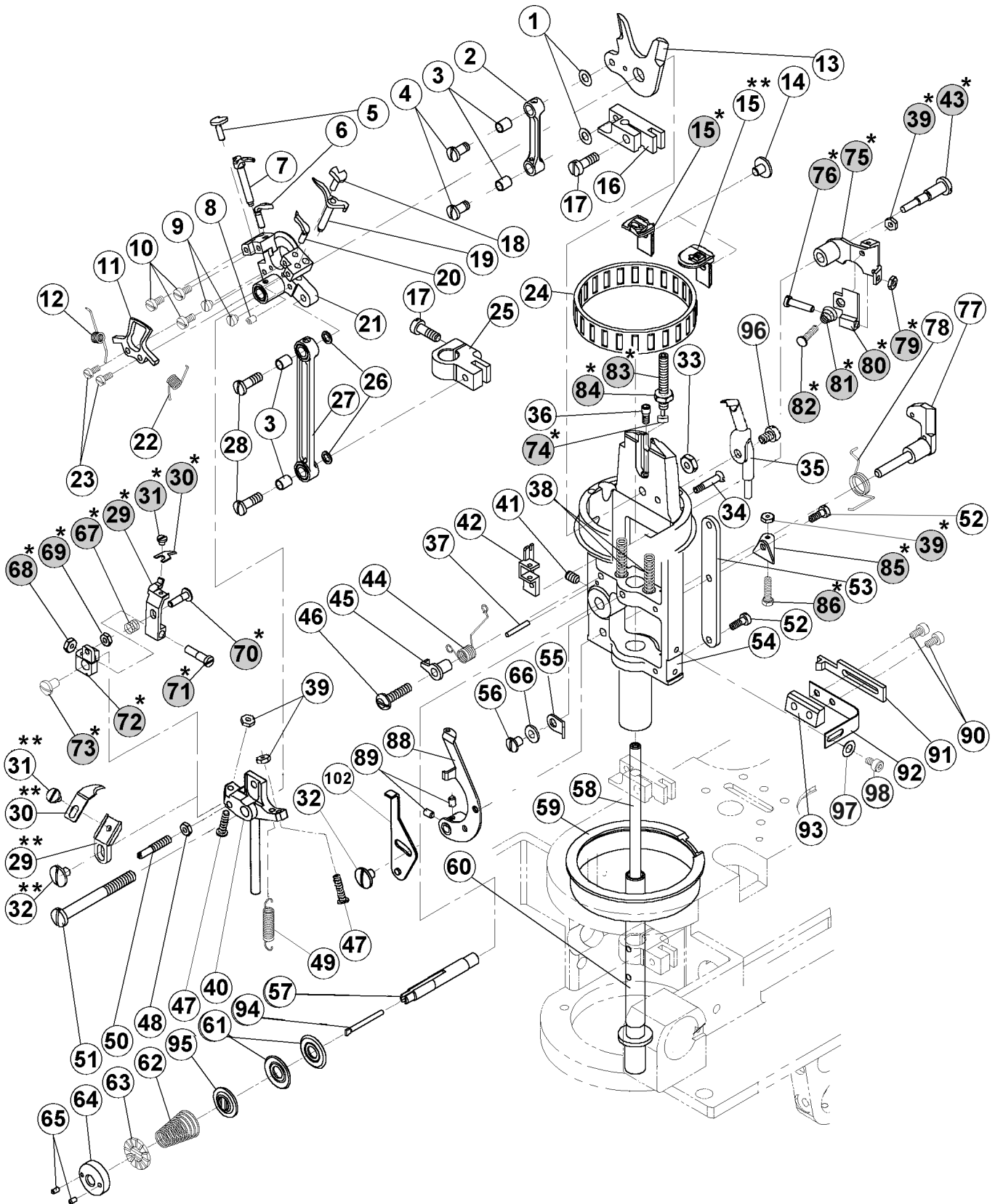
DET	PART NUMBER	DESCRIPTION	QTY.
51	19.0012.1.403	Stud	1
52	08.6000.3.008	Screw	2
53	17.0081.5.082	Bracket	1
54	19.0071.7.402	Race	1
55	17.0082.5.235	Plate	1
56	17.0012.4.105	Screw	1
57	19.0011.8.401	Stud	1
58	19.0034.6.400	Shaft	1
59	19.0042.1.406	Bushing	1
60	19.0034.6.402	Shaft	1
61	17.0082.8.083	Tension Plate	2
62	17.0026.2.078	Spring	1
63	18.0082.8.400	Washer	1
64	18.0017.1.400	Nut	1
65	08.6460.7.004	Screw	2
66	08.6850.4.000	Washer	1
67	17.0012.0.226	Screw	1

Revised 04 /2004

E-mail: [service@amfreece.cz](mailto:service@amfreece.cz); [parts@amfreece.cz](mailto:parts@amfreece.cz) ; website: [www.amfreece.com](http://www.amfreece.com)

Phones: +420 582 309 146 (Service), +420 582 309 286 (Spare Parts) ; Fax: +420 582 360 606

# RACE — CT / LTT



Revised 04/2004

E-mail: [service@amfreece.cz](mailto:service@amfreece.cz); [parts@amfreece.cz](mailto:parts@amfreece.cz) ; website: [www.amfreece.com](http://www.amfreece.com)  
Phones: +420 582 309 146 (Service), +420 582 309 286 (Spare Parts) ; Fax: +420 582 360 606

**RACE — CT / LTT**

DET	PART NUMBER	DESCRIPTION	QTY.
01	17.0019.0.228	Washer	2
02	17.0063.1.073	Spreader Link	1
03	17.0041.1.094	Roll	4
04	17.0012.1.140	Screw	2
05	17.0033.8.089	L.H. Spreader Stop	1
06	17.0069.4.049	Eye Looper 0,8	1
07	17.0004.9.895	Forked Spreader	1
08	08.6400.3.004	Screw	1
09	17.0012.1.139	Screw	2
10	08.6010.3.006	Screw	3
11	17.0082.5.898	Needle Guard	1
12	17.0026.4.293	L.H. Spring	1
13	18.0081.8.706	Spreader Wedge	1
14	01.2056.0.000	Screw	1
15*	10.4012.1.016	Throat Plate CT *	1*
15**	10.4012.1.032	Throat Plate LTT **	1**
16	17.0064.6.117	Clamp	1
17	08.6010.4.012	Screw	2
18	17.0033.8.154	R.H. Spreader Stop	1
19	17.0004.9.894	R.H. Spreader	1
20	17.0069.4.048	Blind Looper	1
21	17.0003.5.711	Looper Carrier	1
22	17.0026.4.292	R.H. Spring	1
23	17.0012.0.404	Screw	2
24	12.2050.0.008	Bushing	1
25	17.0074.4.405	Clamp	1
26	17.0019.1.088	Washer	2
27	17.0004.4.829	Looper Link	1
28	17.0012.1.142	Screw	2
29*	19.0061.6.401	Knife Holder CT*	1*
29**	19.0082.3.410	Knife Holder LTT**	1**
30*	19.0087.0.420	Knife CT*	1*
30**	17.0087.0.204	Knife LTT**	1**
31*	17.0012.0.688	Screw *	1*
31**	17.0012.0.605	Screw **	1*
32	17.0012.4.106	Screw	1
32**	17.0012.4.106	Screw **	1**
33	08.6710.5.000	Nut	1
34	08.6100.3.016	Screw	1
35	19.0002.5.409	Guide Assembly	1
36	17.0012.2.400	Screw	1
37	17.0031.0.406	Pin	1
38	17.0026.0.215	Screw	1
39	08.6700.3.000	Nut	2
39*	08.6700.3.000	Nut*	4*
40	19.0005.2.214	Lever	1
41	08.6400.4.006	Screw	1
42	19.0082.1.404	Thread Guide	1

\* Modification — CT

\*\* Modification — LTT

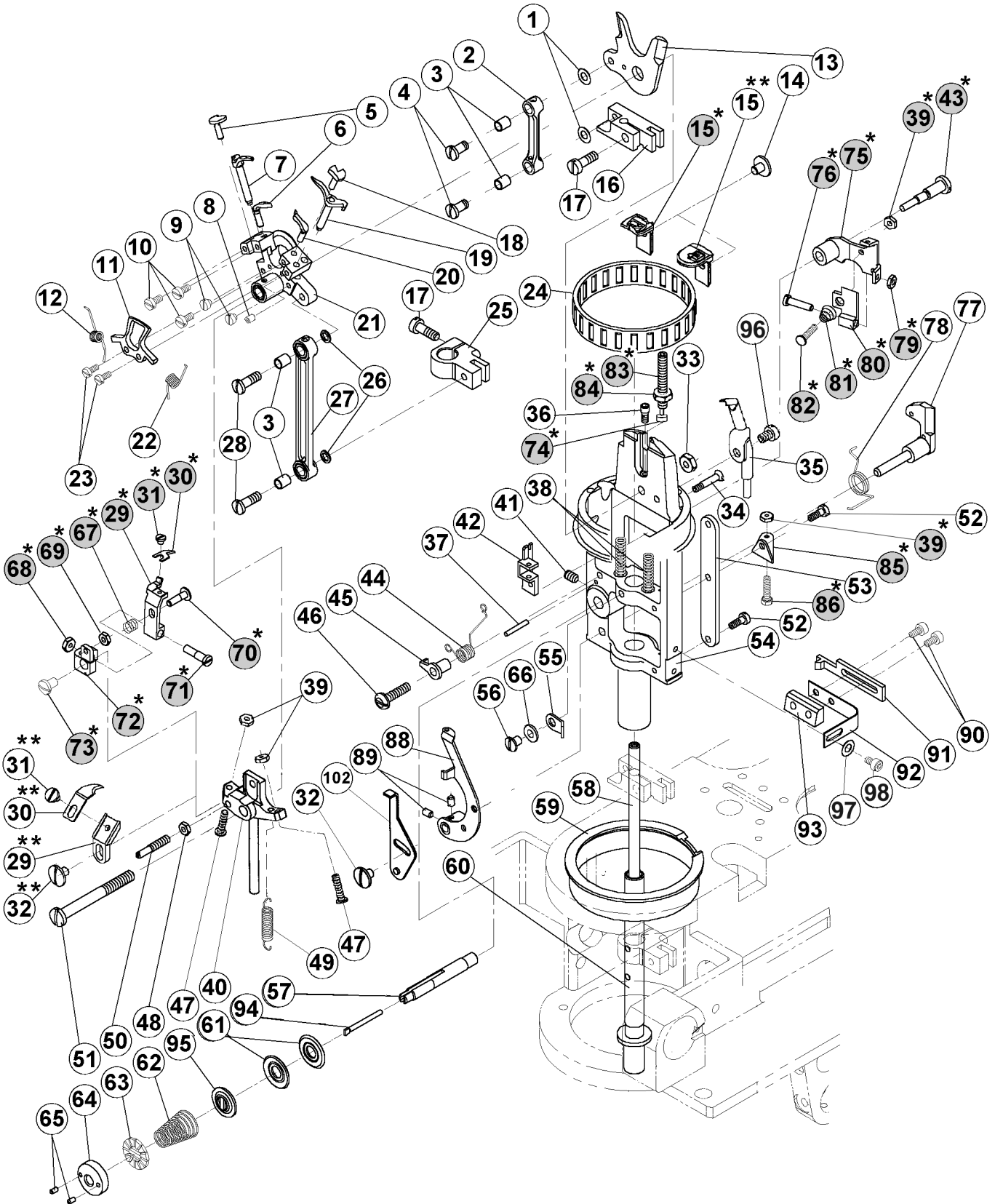
Revised 04 /2004

E-mail: [service@amfreece.cz](mailto:service@amfreece.cz); [parts@amfreece.cz](mailto:parts@amfreece.cz) ; website: [www.amfreece.com](http://www.amfreece.com)

Phones: +420 582 309 146 (Service), +420 582 309 286 (Spare Parts) ; Fax: +420 582 360 606



# RACE — CT / LTT



Revised 04/2004

E-mail: [service@amfreece.cz](mailto:service@amfreece.cz); [parts@amfreece.cz](mailto:parts@amfreece.cz) ; website: [www.amfreece.com](http://www.amfreece.com)  
Phones: +420 582 309 146 (Service), +420 582 309 286 (Spare Parts) ; Fax: +420 582 360 606

**RACE — CT / LTT**



DET	PART NUMBER	DESCRIPTION	QTY.
43*	19.0013.1.491	Screw	1*
44	17.0026.4.035	Spring	1
45	17.0064.7.162	Plate	1
46	08.6200.4.012	Screw	1
47	17.0013.6.081	Screw	2
48	17.0016.1.214	Nut	1
49	17.0026.3.173	Spring	1
50	19.0011.0.400	Screw	1
51	19.0012.1.403	Stud	1
52	08.6000.3.008	Screw	2
53	17.0081.5.082	Bracket	1
54	19.0071.7.402	Race	1
55	17.0082.5.235	Plate	1
56	17.0012.4.105	Screw	1
57	18.0011.8.400	Stud	1
58	19.0034.6.400	Shaft	1
59	19.0042.1.406	Bushing	1
60	19.0034.6.402	Shaft	1
61	17.0082.8.083	Tension Plate	2
62	17.0026.2.078	Spring	1
63	18.0082.8.400	Washer	1
64	18.0017.1.400	Nut	1
65	08.6460.7.004	Screw	2
66	08.6850.4.000	Washer	1
67*	17.0026.0.218	Spring	1*
68*	17.0016.1.401	Nut	1*
69*	08.6710.3.000	Nut	1*
70*	17.0014.1.178	Screw	1*
71*	17.0013.1.482	Screw	1*
72*	19.0082.6.420	Holder	1*
73*	19.0012.0.689	Screw	1*
74*	19.0032.2.405	Stud	1*
75*	19.0005.2.209	Abductor Bracket	1*
76*	19.0013.1.492	Screw	1*
77	19.0005.2.210	Lever	1
78	18.0026.4.403	Spring	1
79*	19.0016.1.403	Nut	1*
80*	17.0082.6.402	Thread Holder	1*
81*	17.0026.2.054	Spring	1*
82*	17.0013.6.081	Screw	1*
83*	19.0011.2.401	Screw	1*
84*	08.6710.4.000	Nut	1*
85*	19.0082.3.416	Support	1*
86*	08.6310.3.012	Screw	1*
87			
88	19.0005.2.216	Lever	1
89	08.6400.4.004	Screw	2
90	08.6010.3.006	Screw	2

\* Modification — CT

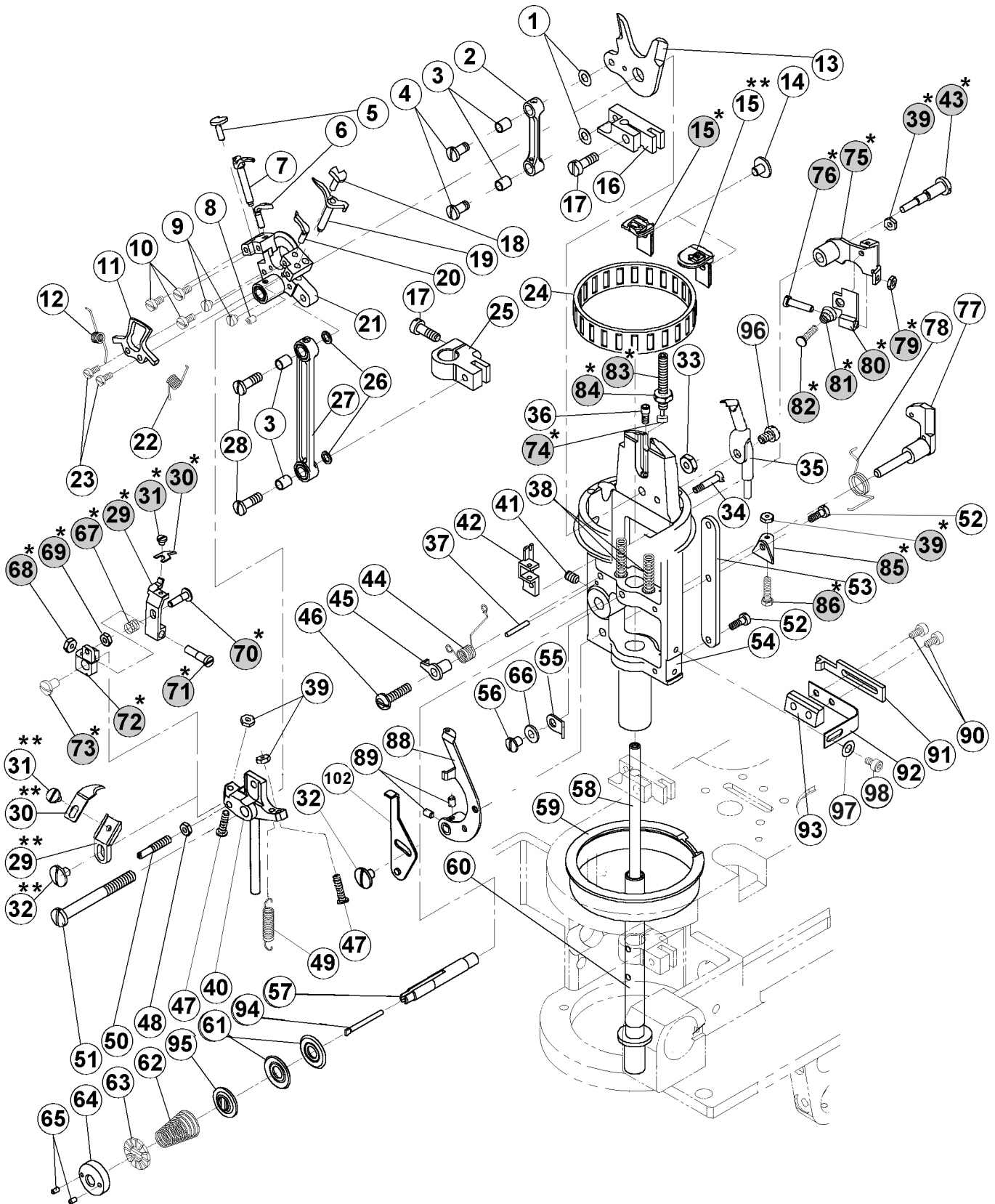
\*\* Modification — LTT

Revised 04 /2004

E-mail: [service@amfreece.cz](mailto:service@amfreece.cz); [parts@amfreece.cz](mailto:parts@amfreece.cz) ; website: [www.amfreece.com](http://www.amfreece.com)

Phones: +420 582 309 146 (Service), +420 582 309 286 (Spare Parts) ; Fax: +420 582 360 606

# RACE — CT / LTT



Revised 04/2004

E-mail: [service@amfreece.cz](mailto:service@amfreece.cz); [parts@amfreece.cz](mailto:parts@amfreece.cz) ; website: [www.amfreece.com](http://www.amfreece.com)  
Phones: +420 582 309 146 (Service), +420 582 309 286 (Spare Parts) ; Fax: +420 582 360 606



**RACE — CT / LTT**



DET	PART NUMBER	DESCRIPTION	QTY.
91	19.0062.5.405	Lever	1
92	18.0028.3.401	Spring	1
93	18.0082.6.406	Block	1
94	18.0031.0.481	Pin	1
95	17.0082.8.082	Release Washer	1
96	17.0012.0.226	Screw	1
97	08.6800.3.000	Washer	1
98	08.6010.3.005	Screw	1

\* Modification — CT

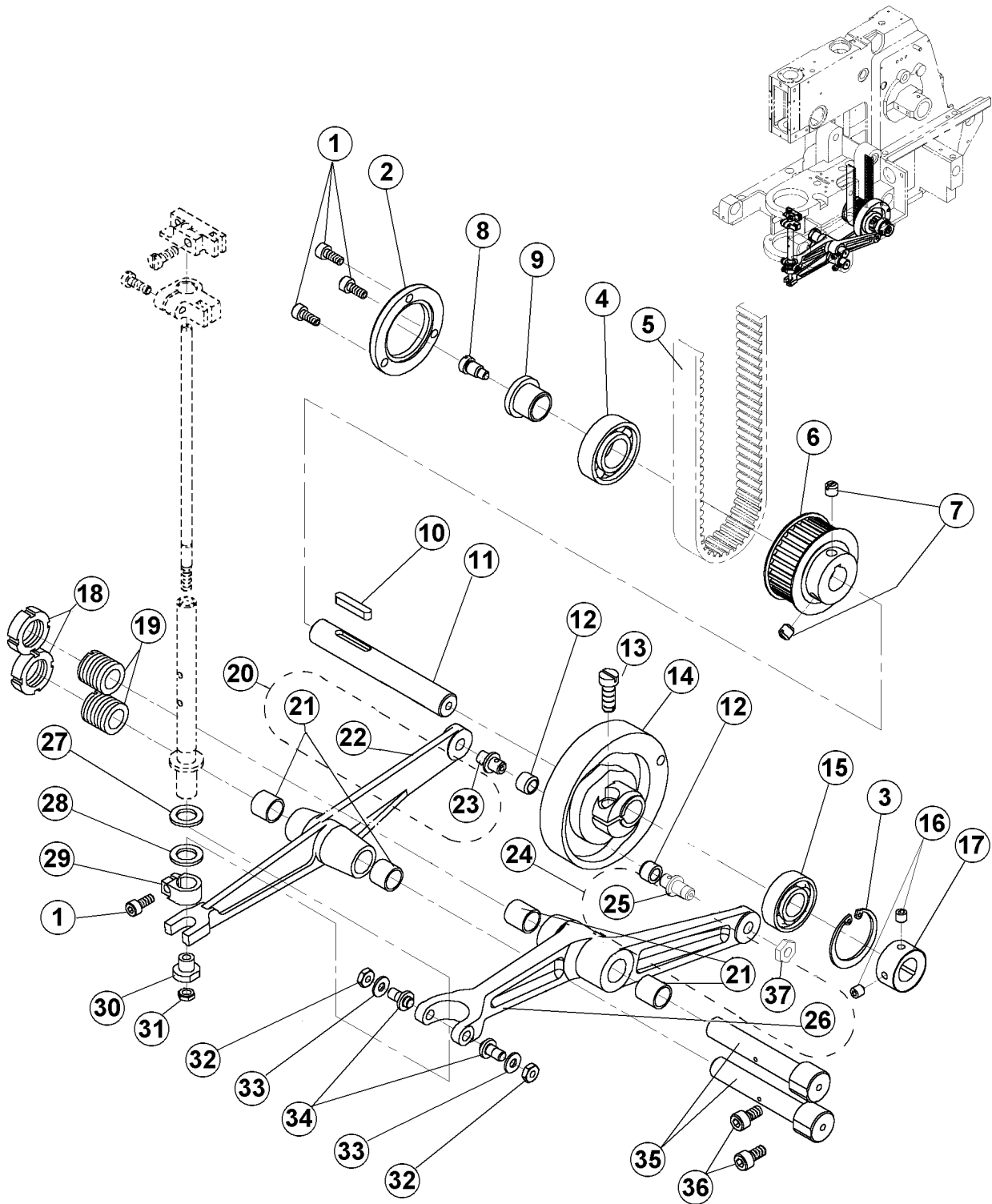
\*\* Modification — LTT

Revised 04 /2004

E-mail: [service@amfreece.cz](mailto:service@amfreece.cz); [parts@amfreece.cz](mailto:parts@amfreece.cz) ; website: [www.amfreece.com](http://www.amfreece.com)

Phones: +420 582 309 146 (Service), +420 582 309 286 (Spare Parts) ; Fax: +420 582 360 606

# STITCH SHAFT AND DRIVE



Revised 04/2004

E-mail: [service@amfreece.cz](mailto:service@amfreece.cz); [parts@amfreece.cz](mailto:parts@amfreece.cz) ; website: [www.amfreece.com](http://www.amfreece.com)  
Phones: +420 582 309 146 (Service), +420 582 309 286 (Spare Parts) ; Fax: +420 582 360 606

## STITCH SHAFT AND DRIVE

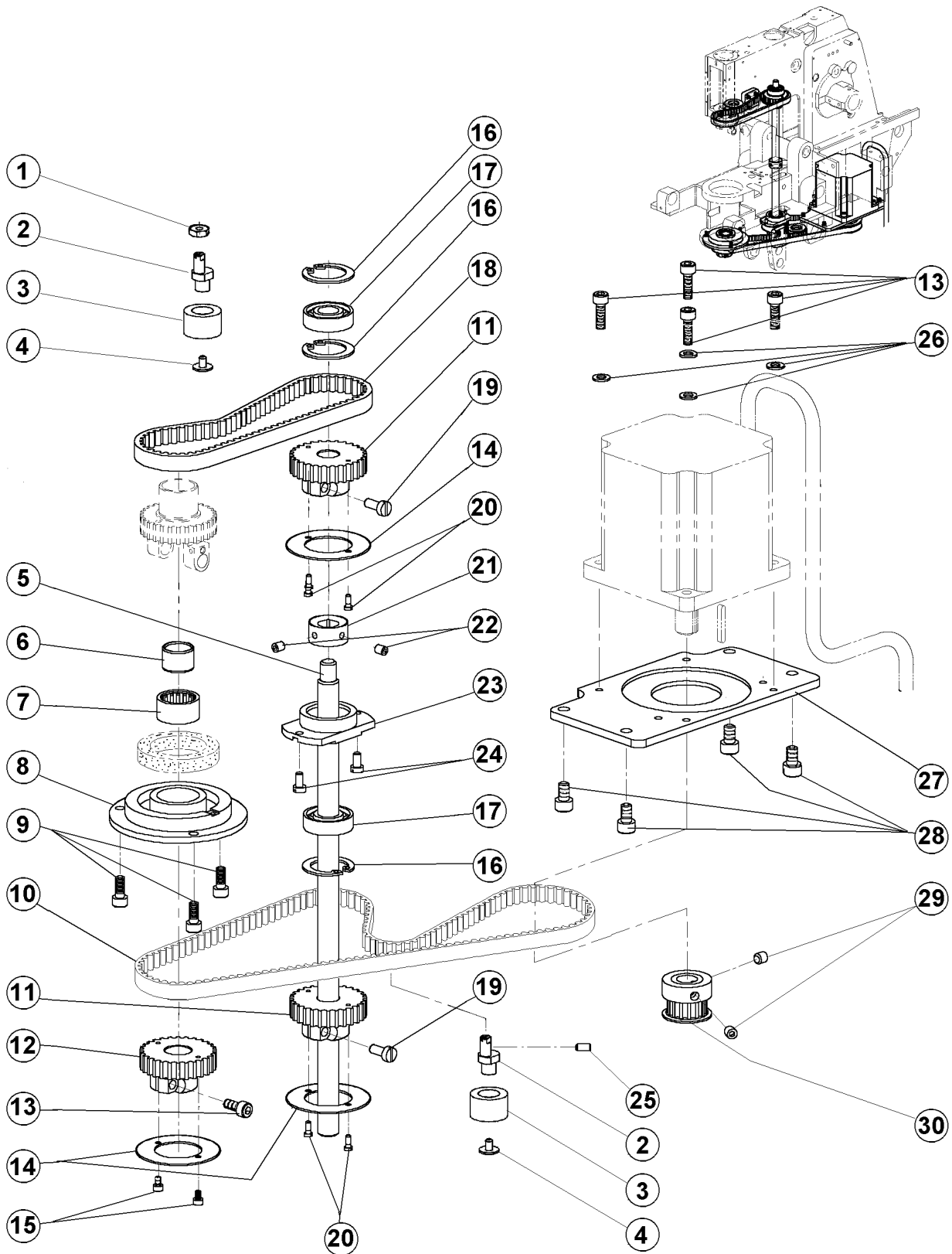
DET	PART NUMBER	DESCRIPTION	QTY.
01	08.6000.4.010	Screw	4
02	19.0044.5.401	Flange	1
03	12.1040.1.002	Retaining Ring	1
04	12.2010.0.021	Bushing	1
05	See Page 3-2	Timing Belt	—
06	19.0055.4.410	Gear ●	1
07	08.6400.6.006	Screw	2
08	17.0013.2.090	Screw	1
09	19.0042.2.400	Bushing	1
10	17.0021.1.070	Key	1
11	19.0034.0.405	Shaft	1
12	19.0041.8.401	Roll	2
13	17.0012.0.113	Screw	1
14	19.0067.4.401	Looper Drive Cam	1
15	12.2010.0.011	Bushing	1
16	08.6400.5.305	Screw	2
17	17.0043.6.018	Set Screw Collar	1
18	19.0016.3.403	Nut	2
19	19.0013.6.400	Screw	2
20	19.0063.6.442	Spreader Rocker	1
21	12.2080.0.001	Metal ●●	(6)
22	—————	Part Of Assembly Only 19.0063.6.442 ●	(1)
23	—————	Part Of Assembly Only 19.0063.6.442	(1)
24	19.0063.6.443	Looper Lever Asm.	1
25	19.0033.3.401	Stud	(1)
26	—————	Part Of Assembly Only 19.0063.6.443 ●	(1)
27	19.0019.0.686	Washer	1
28	17.0019.0.398	Washer	1
29	19.0043.6.441	Looper Drive Shaft Collar	1
30	19.0042.7.401	Nut	1
31	17.0016.1.054	Nut	1
32	08.6710.5.000	Nut	2
33	08.6850.5.000	Washer	2
34	17.0033.3.131	Looper Drive Fork Shaft	2
35	19.0032.6.401	Shaft	2
36	08.6400.5.008	Screw	(2)
37	17.0016.1.094	Nut	(1)

Revised 04 /2004

E-mail: [service@amfreece.cz](mailto:service@amfreece.cz); [parts@amfreece.cz](mailto:parts@amfreece.cz) ; website: [www.amfreece.com](http://www.amfreece.com)

Phones: +420 582 309 146 (Service), +420 582 309 286 (Spare Parts) ; Fax: +420 582 360 606

# TURNING MECHANISM



Revised 04/2004

E-mail: [service@amfreece.cz](mailto:service@amfreece.cz); [parts@amfreece.cz](mailto:parts@amfreece.cz) ; website: [www.amfreece.com](http://www.amfreece.com)

Phones: +420 582 309 146 (Service), +420 582 309 286 (Spare Parts) ; Fax: +420 582 360 606

## TURNING MECHANISM

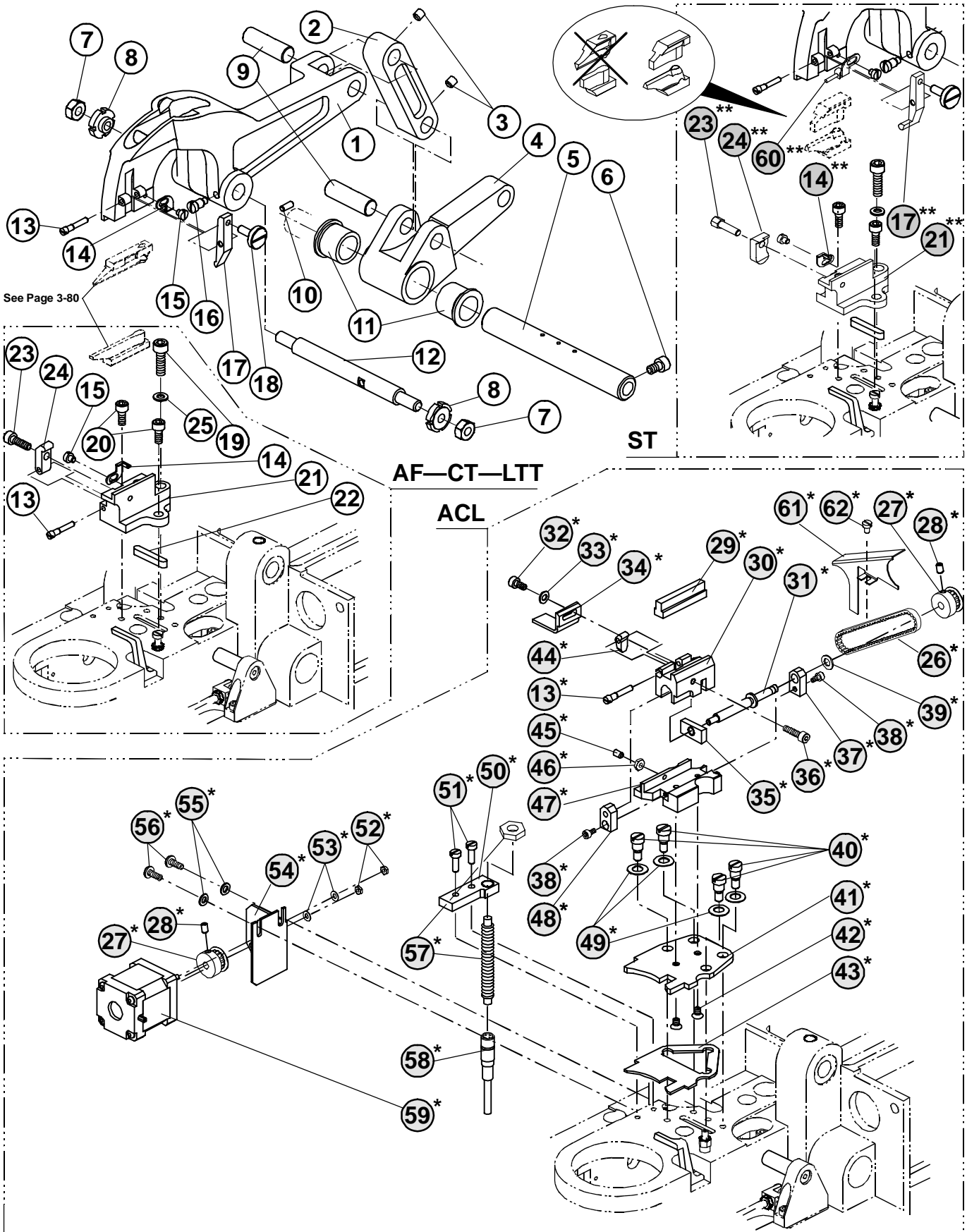
DET	PART NUMBER	DESCRIPTION	QTY.
01	08.6700.6.300	Nut	1
02	19.0033.8.401	Tension Pulley Shaft	2
03	19.0041.0.683	Roll	1
04	17.0012.4.070	Screw	2
05	17.0034.2.328	Shaft	1
06	12.2099.1.009	Metal	1
07	12.2050.1.007	Bearing	1
08	19.0042.5.401	Flange	1
09	08.6000.5.012	Screw	3
10	12.5050.2.013	Timing Belt	●●● 1
11	19.0055.4.407	Cear	● 2
12	19.0055.4.406	Gear	1
13	08.6000.5.016	Screw	5
14	19.0019.0.682	Washer	3
15	08.6000.3.005	Screw	2
16	12.1040.1.002	Retaining Ring	3
17	12.2010.0.011	Bearing	2
18	12.5050.2.006	Timing Belt	●●● 1
19	08.6010.5.012	Screw	2
20	17.0012.0.121	Screw	4
21	17.0043.6.018	Set Screw Collar	1
22	08.6400.5.305	Screw	2
23	19.0044.5.402	Flange	1
24	17.0012.0.218	Screw	2
25	08.6400.4.008	Screw	1
26	08.6850.5.000	Washer	4
27	19.0081.5.411	Plate	1
28	08.6000.6.010	Screw	4
29	08.6400.6.006	Screw	2
30	19.0055.4.419	Gear Assembly	● 1

Revised 04 /2004

E-mail: [service@amfreece.cz](mailto:service@amfreece.cz); [parts@amfreece.cz](mailto:parts@amfreece.cz) ; website: [www.amfreece.com](http://www.amfreece.com)

Phones: +420 582 309 146 (Service), +420 582 309 286 (Spare Parts) ; Fax: +420 582 360 606

# CUTTING LEVER ASSEMBLY



Revised 04/2004

E-mail: [service@amfreece.cz](mailto:service@amfreece.cz); [parts@amfreece.cz](mailto:parts@amfreece.cz); website: [www.amfreece.com](http://www.amfreece.com)  
Phones: +420 582 309 146 (Service), +420 582 309 286 (Spare Parts); Fax: +420 582 360 606

## CUTTING LEVER ASSEMBLY

DET	PART NUMBER	DESCRIPTION	QTY.
01	19.0063.5.405	Cutting Lever ●	1
02	19.0061.2.421	Rod ●	1
03	08.6400.6.006	Screw	2
04	19.0063.3.401	Rod	1
05	19.0034.0.406	Shaft	1
06	08.6000.6.016	Screw	1
07	08.6710.8.400	Nut	2
08	19.0017.4.400	Nut	2
09	19.0031.8.406	Shaft	2
10	17.0031.0.352	Pin	1
11	19.0042.5.403	Bushing	2
12	19.0034.7.400	Shaft	1
13	17.0013.1.415	Screw	2
13*	17.0013.1.415	Screw*	1*
14	17.0082.5.997	Clamp	2
14**	18.0082.6.419	Clamp **	1**
15	17.0012.0.571	Screw	2
16	17.0013.2.090	Screw	1
17	17.0063.6.220	Knife Holder	1
17**	19.0063.6.451	Knife Holder **	1**
18	17.0013.4.027	Screw	1
19	08.6000.5.020	Screw	1
20	08.6000.5.012	Screw	2
21	19.0074.4.527	Knife Holder	1
21**	19.0074.4.535	Knife Holder **	1**
22	17.0021.1.073	Key	1
23	08.6000.5.016	Screw	1
23**	17.0014.1.066	Screw **	1**
24	19.0063.6.445	Knife Clamp	1
24**	17.0064.6.416	Knife Clamp **	1**
25	08.6850.5.000	Washer	1
26*	12.5050.2.012	Timing Belt *	1*
27*	19.0055.4.418	Timing Belt Pulley *	2*
28*	08.6400.4.006	Screw *	2*
29*	19.0064.5.954	Cutting Steel *	1*
30*	19.0062.2.403	Holder *	1*
31*	19.0033.3.402	Shaft *	1*
32*	08.6000.4.008	Screw *	1*
33*	08.6850.4.000	Washer *	1*
34*	19.0082.3.419	Plate Sensor *	1*
35*	19.0016.3.407	Nut *	1*
36*	08.6000.4.016	Screw *	1*
37*	19.0064.7.417	Holder, Front *	1*
38*	08.6000.3.006	Screw *	1*
39*	08.6887.5.000	Washer *	1*
40*	19.0033.2.403	Screw *	4*
41*	19.0081.4.445	Plate, cutting Steel *	1*
42*	08.6100.4.006	Screw *	2*

\* Modification — ACL (Adjustable Cutting Length) See Page 3-76

\*\* Modification — ST (Short Travel) See Page 3-78

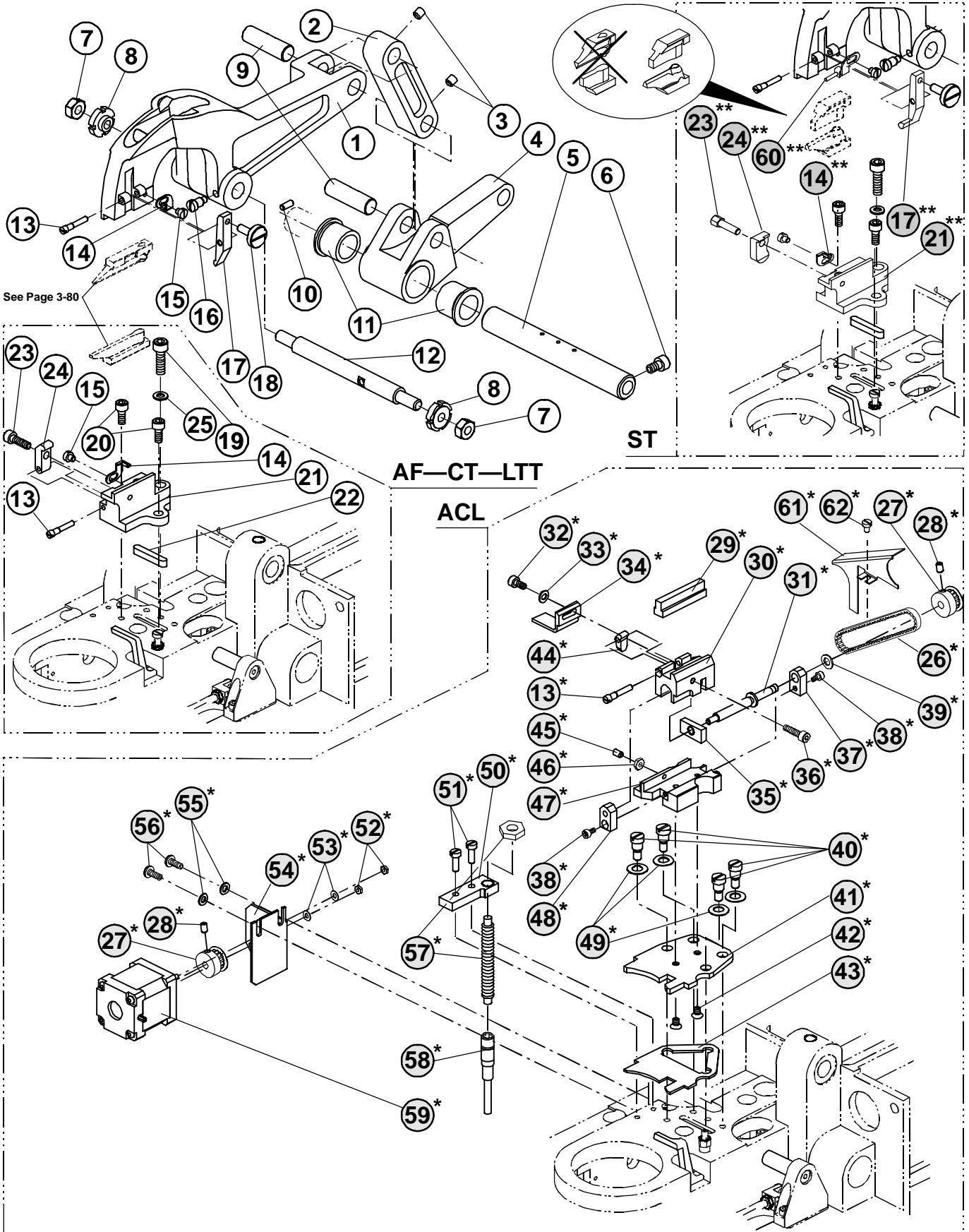
Revised 04 /2004

E-mail: [service@amfreece.cz](mailto:service@amfreece.cz); [parts@amfreece.cz](mailto:parts@amfreece.cz); website: [www.amfreece.com](http://www.amfreece.com)

Phones: +420 582 309 146 (Service), +420 582 309 286 (Spare Parts); Fax: +420 582 360 606



# CUTTING LEVER ASSEMBLY



Revised 04/2004

E-mail: [service@amfreece.cz](mailto:service@amfreece.cz); [parts@amfreece.cz](mailto:parts@amfreece.cz); website: [www.amfreece.com](http://www.amfreece.com)  
Phones: +420 582 309 146 (Service), +420 582 309 286 (Spare Parts); Fax: +420 582 360 606



# CUTTING LEVER ASSEMBLY



DET	PART NUMBER	DESCRIPTION	QTY.
43*	19.0095.2.400	Rubber Washer *	1*
44*	19.0063.6.447	Knife Clamp *	1*
45*	08.6420.4.004	Screw *	1*
46*	08.6710.4.000	Nut *	1*
47*	19.0074.4.530	Guide, Cut Steel Holder *	1*
48*	19.0064.7.416	Holder, Rear *	1*
49*	12.3015.7.016	Washer *	4*
50*	19.0064.8.430	Holder Sensor *	1*
51*	08.6010.4.012	Screw *	2*
52*	08.6700.3.000	Nut *	2*
53*	08.6802.3.000	Spring Washer *	2*
54*	19.0082.3.418	Holder Motor *	1*
55*	08.6850.4.000	Washer *	2*
56*	08.6200.4.010	Screw *	2*
57*	See Page 3-74	Sensor *	—
58*	See Page 3-74	Cable Sensor Asembly *	—
59*	See Page 3-74	Stepping Motor *	—
60**	19.0082.6.431	Clamp **	1**
61*	19.0083.1.671	Cover	1*
62*	08.6010.4.006	Screw	1*

\* Modification — ACL (Adjustable Cutting Length) See Page 3-76

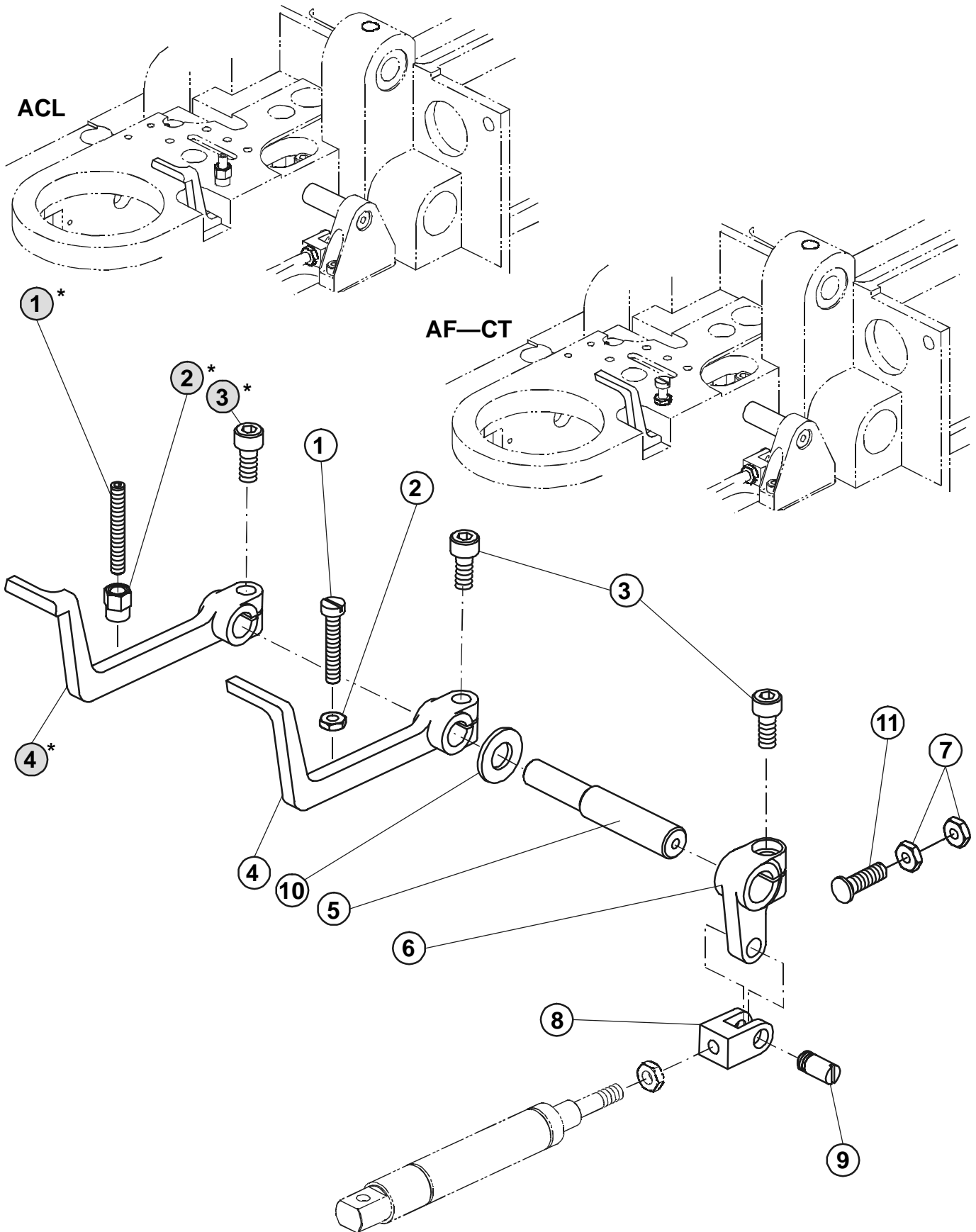
\*\* Modification — ST (Short Travel) See Page 3-78

Revised 04 /2004

E-mail: [service@amfreece.cz](mailto:service@amfreece.cz); [parts@amfreece.cz](mailto:parts@amfreece.cz); website: [www.amfreece.com](http://www.amfreece.com)

Phones: +420 582 309 146 (Service), +420 582 309 286 (Spare Parts) ; Fax: +420 582 360 606

# KNIFE DRIVE



Revised 04/2004

E-mail: [service@amfreece.cz](mailto:service@amfreece.cz); [parts@amfreece.cz](mailto:parts@amfreece.cz) ; website: [www.amfreece.com](http://www.amfreece.com)  
 Phones: +420 582 309 146 (Service), +420 582 309 286 (Spare Parts) ; Fax: +420 582 360 606

## KNIFE DRIVE

DET	PART NUMBER	DESCRIPTION	QTY.
01	08.6000.4.025	Screw	1
01*	08.6400.4.030	Screw*	1*
02	08.6700.4.000	Nut	1
02*	17.0016.1.298	Nut*	1*
03	08.6000.5.012	Screw	2
03*	08.6000.5.012	Screw *	1*
04	19.0061.3.602	Thread Draw-Off Lever	1
04*	19.0061.3.610	Thread Draw-Off Lever*	1*
05	19.0034.2.402	Shaft	1
06	19.0061.3.601	Lever	1
07	08.6710.5.000	Nut	2
08	19.0064.8.435	Knuckle	1
09	19.0011.0.402	Stud	1
10	08.6850.8.000	Washer	1
11	17.0012.7.007	Screw	1

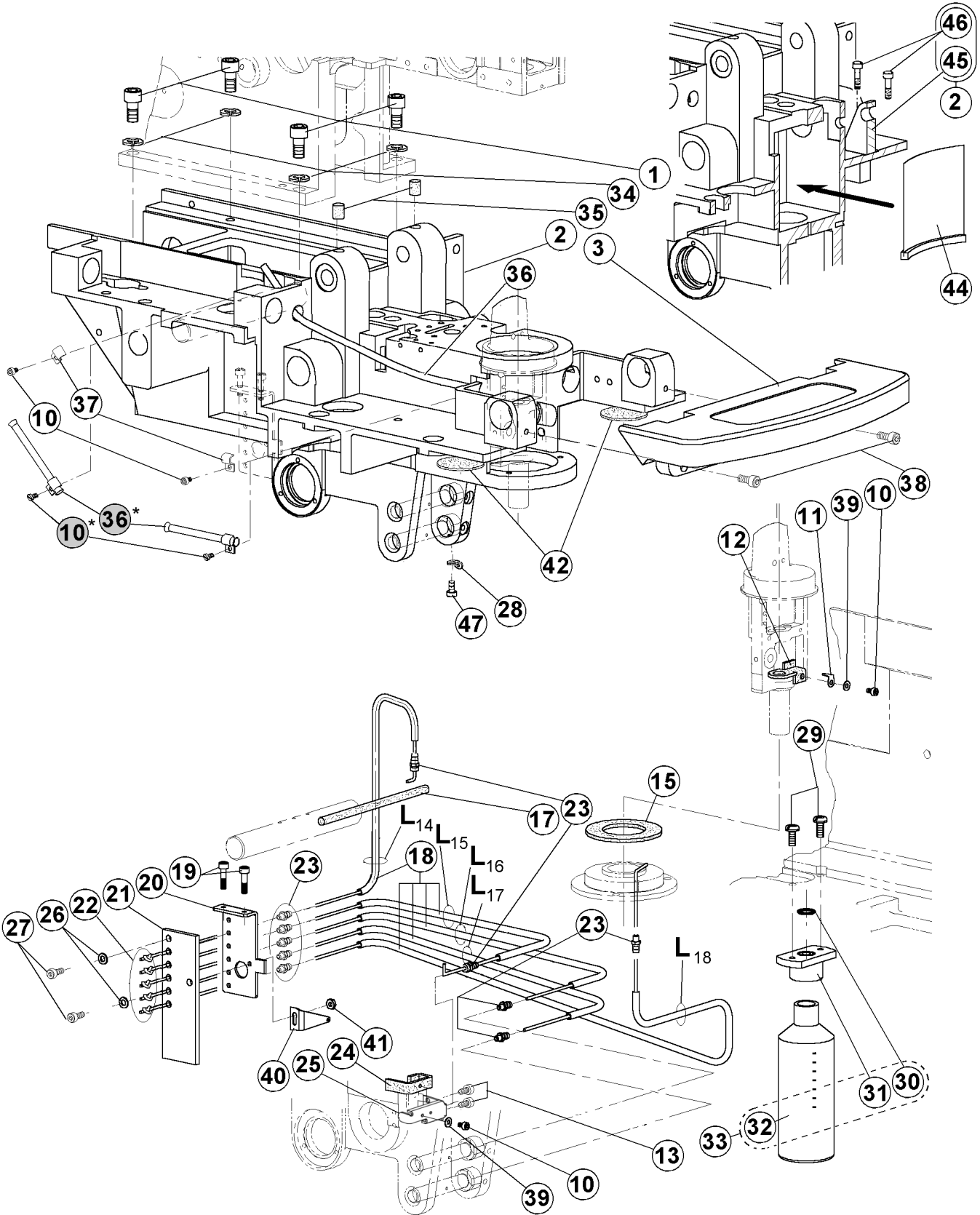
\* Modification — ACL (Adjustable Cutting Length) See Page 3-76

**Revised 04 /2004**

**E-mail: [service@amfreece.cz](mailto:service@amfreece.cz); [parts@amfreece.cz](mailto:parts@amfreece.cz) ; website: [www.amfreece.com](http://www.amfreece.com)**

**Phones: +420 582 309 146 (Service), +420 582 309 286 (Spare Parts) ; Fax: +420 582 360 606**

# LUBRICATION MECHANISM



Revised 04/2004

E-mail: [service@amfreece.cz](mailto:service@amfreece.cz); [parts@amfreece.cz](mailto:parts@amfreece.cz); website: [www.amfreece.com](http://www.amfreece.com)  
 Phones: +420 582 309 146 (Service), +420 582 309 286 (Spare Parts); Fax: +420 582 360 606

**LUBRICATION MECHANISM**

DET	PART NUMBER	DESCRIPTION	QTY.
01	08.6000.8.018	Screw	4
02	19.0071.0.202	Bed	1
03	19.0074.6.216	Cover	1
10	08.6000.3.005	Screw	4-2*
10*	08.6010.3.006	Screw*	2*
11	19.0082.3.411	Plate	1
12	19.0094.5.407	Felt	1
15	19.0094.5.406	Felt	1
16			
17	19.0094.5.404	Felt	1
18	19.0094.2.400	Oil Tube L14=150mm L15=220mm L16=280mm L17=265mm L18=380mm	1 See Page 3-14
19	08.6000.4.014	Screw	2
20	19.0082.3.407	Plate	1
21	19.0094.5.405	Felt	1
22	19.0094.5.403	Wick L14=260mm L15=340mm L16=350mm L17=400mm L18=450mm	1 See Page 3-14
23	19.0094.2.409	Joint PM	10
24	19.0094.5.408	Felt	1
25	19.0082.3.450	Felt Holder	1
26	08.6850.4.000	Washer	2
27	08.6000.4.010	Screw	2
28	17.0027.1.106	Thread Guide	1
29	08.6200.5.012	Screw	2
30	12.0008.6.812	O Ring	(1)
31	19.0044.5.404	Holder Oil Can	(1)
32	17.0003.8.053	Oil Can	(1)
33	19.0008.2.001	Oil Can Assembly	1
34	08.6800.8.000	Spring Washer	4
35	17.0094.5.052	Felt	2
36	19.0084.0.404	Guide	1
36*	19.0002.5.411	Guide*	1*
37	17.0082.6.000	Clamp	2
38	08.6000.5.012	Screw	2
39	08.6850.3.000	Washer	1
40	17.0083.6.419	Bracket	1
41	08.6710.4.000	Nut	1
42	19.0094.5.409	Felt	2
43			
44	19.0083.9.402	Plate	1
45	19.0062.6.404	Shaft Holder	(1)
46	08.6000.4.012	Screw	(2)
47	08.6200.4.006	Screw	1

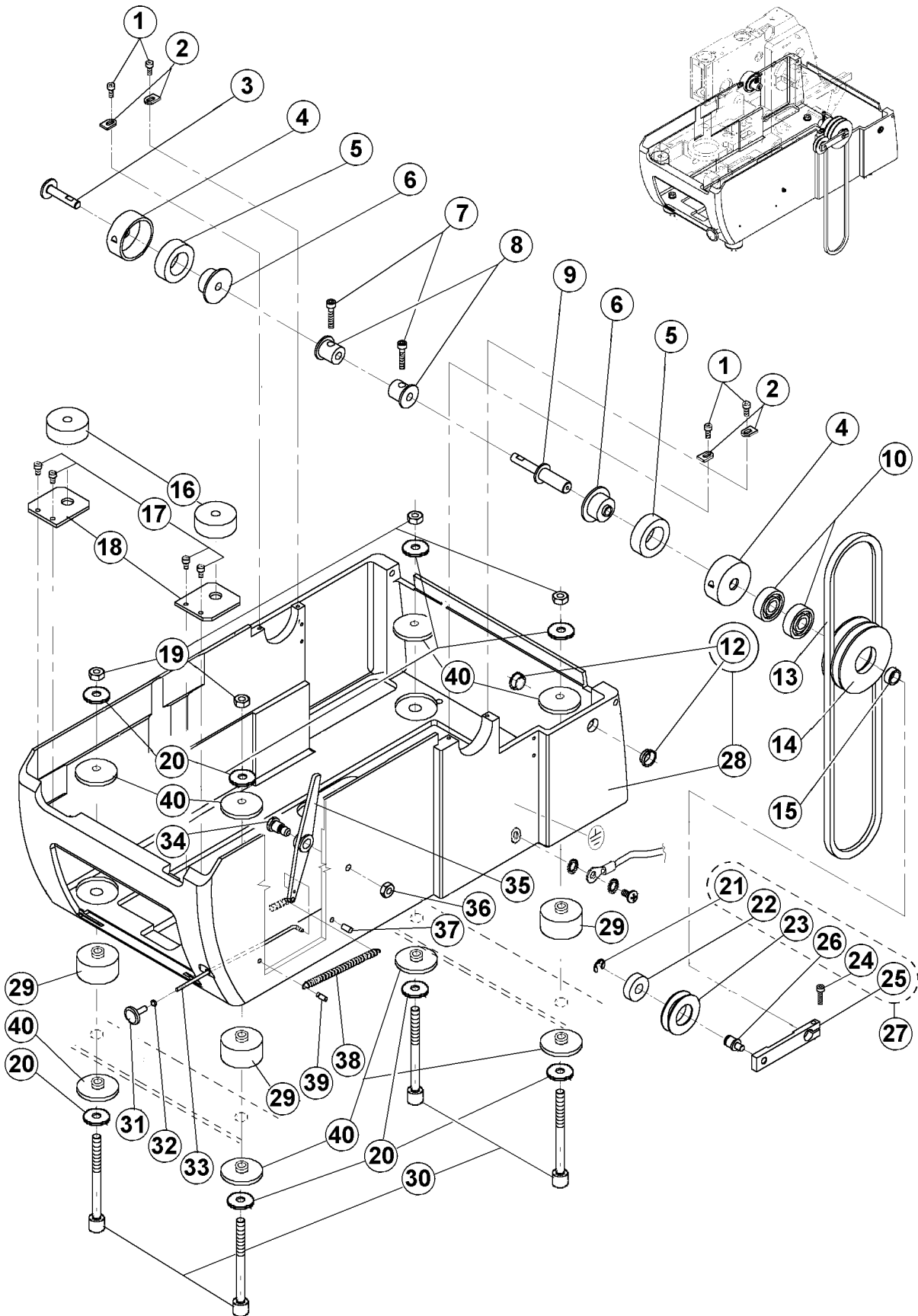
\* Modification — ACL (Adjustable Cutting Length) See Page 3-76

Revised 04 /2004

E-mail: [service@amfreece.cz](mailto:service@amfreece.cz); [parts@amfreece.cz](mailto:parts@amfreece.cz); website: [www.amfreece.com](http://www.amfreece.com)

Phones: +420 582 309 146 (Service), +420 582 309 286 (Spare Parts); Fax: +420 582 360 606

# BASE



Revised 04/2004

E-mail: [service@amfreece.cz](mailto:service@amfreece.cz); [parts@amfreece.cz](mailto:parts@amfreece.cz) ; website: [www.amfreece.com](http://www.amfreece.com)

Phones: +420 582 309 146 (Service), +420 582 309 286 (Spare Parts) ; Fax: +420 582 360 606

**BASE**

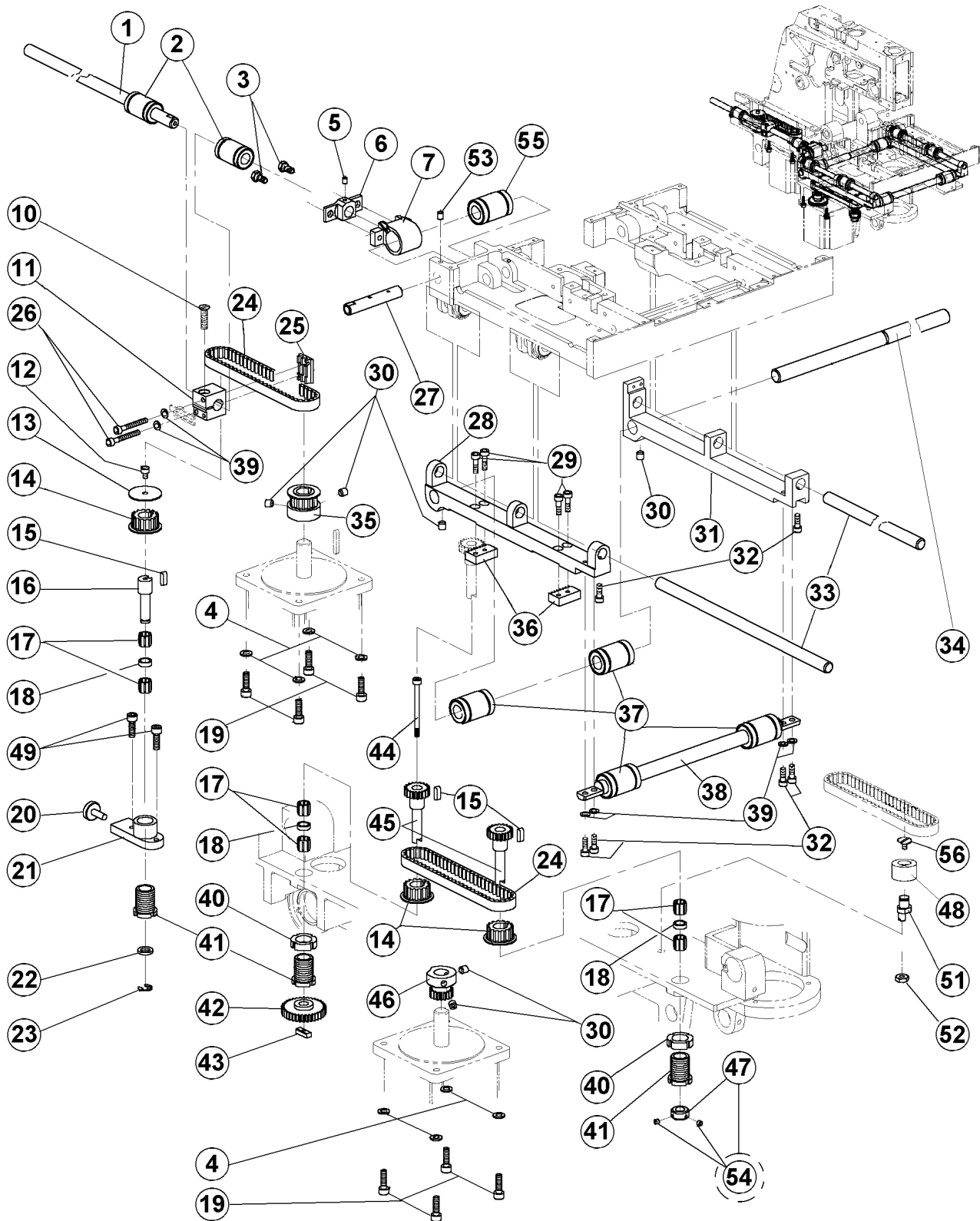
DET	PART NUMBER	DESCRIPTION	QTY.
01	08.6000.4.010	Screw	4
02	17.0081.5.047	Latch	4
03	19.0032.2.401	Shaft	1
04	19.0041.6.400	Bushing	2
05	19.0094.1.400	Rubber	2
06	19.0095.1.402	Bearing	2
07	08.6000.5.020	Screw	2
08	19.0095.1.400	Bushing	2
09	19.0032.3.401	Shaft	1
10	12.2010.0.005	Bearing	2
11	19.0095.1.403	Support Pin	1
12	17.0042.1.279	Thread Guide	2
13	12.5050.1.501	V-Belt	1
14	18.0052.1.400	Pulley	1
15	18.0041.0.676	Collar	1
16	19.0095.1.405	Rubber	2
17	08.6000.4.008	Screw	4
18	19.0081.5.412	Plate	2
19	08.6700.8.000	Nut	4
20	17.0019.0.441	Washer	8
21	17.0027.4.085	Retaining Ring	(1)
22	12.2010.0.004	Bearing	(1)
23	18.0052.0.274	Idler Pulley	(1)
24	08.6000.4.016	Screw	(1)
25	18.0061.3.350	Idler Pulley Lever	(1)
26	18.0032.3.198	Idler Pulley Pin	(1)
27	18.0004.3.251	Idler Pulley	1
28	19.0072.4.403	Base	1
29	19.0095.1.405	Ring Mount	4
30	08.6000.8.050	Screw	4
31	19.0017.2.402	Grip	1
32	08.6700.3.000	Nut	1
33	19.0027.1.603	Rod	1
34	17.0013.1.171	Screw	1
35	19.0063.3.403	Screw	1
36	08.6712.8.000	Nut	1
37	12.1010.0.516	Pin	1
38	17.0026.3.014	Spring	1
39	17.0031.0.196	Pin	1
40	17.0095.1.272	Rubber Washer	8

Revised 04 /2004

E-mail: [service@amfreece.cz](mailto:service@amfreece.cz); [parts@amfreece.cz](mailto:parts@amfreece.cz) ; website: [www.amfreece.com](http://www.amfreece.com)

Phones: +420 582 309 146 (Service), +420 582 309 286 (Spare Parts) ; Fax: +420 582 360 606

# X-Y TABLE MOVEMENT



Revised 04/2004

E-mail: [service@amfreece.cz](mailto:service@amfreece.cz); [parts@amfreece.cz](mailto:parts@amfreece.cz) ; website: [www.amfreece.com](http://www.amfreece.com)  
 Phones: +420 582 309 146 (Service), +420 582 309 286 (Spare Parts) ; Fax: +420 582 360 606



## X-Y TABLE MOVEMENT

DET	PART NUMBER	DESCRIPTION	QTY.
01	19.0034.0.404	Shaft	1
02	07.0000.0.024	Linear Ball Bearing	2
03	17.0014.1.119	Screw	2
04	08.6850.5.000	Washer	8
05	17.0011.2.072	Screw	1
06	19.0064.8.407	Shaft Holder	1
07	19.0062.6.402	Line Pillow Block	1
08			
09			
10	08.6100.5.020	Screw	1
11	19.0062.7.406	Shaft Holder	1
12	08.6000.4.006	Screw	1
13	19.0019.0.685	Washer	1
14	19.0055.4.408	Timing Belt Pulley ●	3
15	17.0021.1.069	Key	3
16	19.0033.5.401	Shaft	1
17	12.2050.0.007	Bearing	6
18	19.0041.0.675	Distance Ring	3
19	08.6000.5.016	Screw	8
20	17.0013.4.027	Screw	1
21	19.0064.8.414	Holder Press Pulley	1
22	17.0019.1.062	Washer	1
23	17.0027.4.084	U-Clip	1
24	12.5050.2.005	Timing Belt Stock ●●●	2
25	19.0064.7.401	Belt Clamp	1
26	08.6000.4.030	Screw	2
27	19.0031.8.405	Shaft	1
28	19.0074.4.523	Holder Shaft Left ●	1
29	08.6000.4.014	Screw	4
30	08.6400.6.006	Screw	6
31	19.0074.4.536	Holder Shaft Right ●	1
32	08.6000.4.012	Screw	6
33	19.0034.0.403	Shaft	2
34	19.0034.0.401	Shaft	1
35	19.0055.4.419	Gear Assembly	1
36	19.0058.1.400	Rack	2
37	12.2070.0.004	Linear Ball Bearing	4
38	19.0034.0.402	Shaft	1
39	08.6850.4.000	Washer	6
40	19.0016.3.403	Nut	2
41	19.0015.6.401	Screw	3
42	19.0055.1.402	Gear	1
43	19.0016.3.405	Key	1
44	19.0012.2.401	Screw	1
45	19.0055.5.400	Gear	2
46	19.0055.1.403	Gear	1
47	19.0043.6.046	Shaft Collar	1
48	19.0041.0.683	Roll	1
49	17.0012.4.067	Screw	2
50			

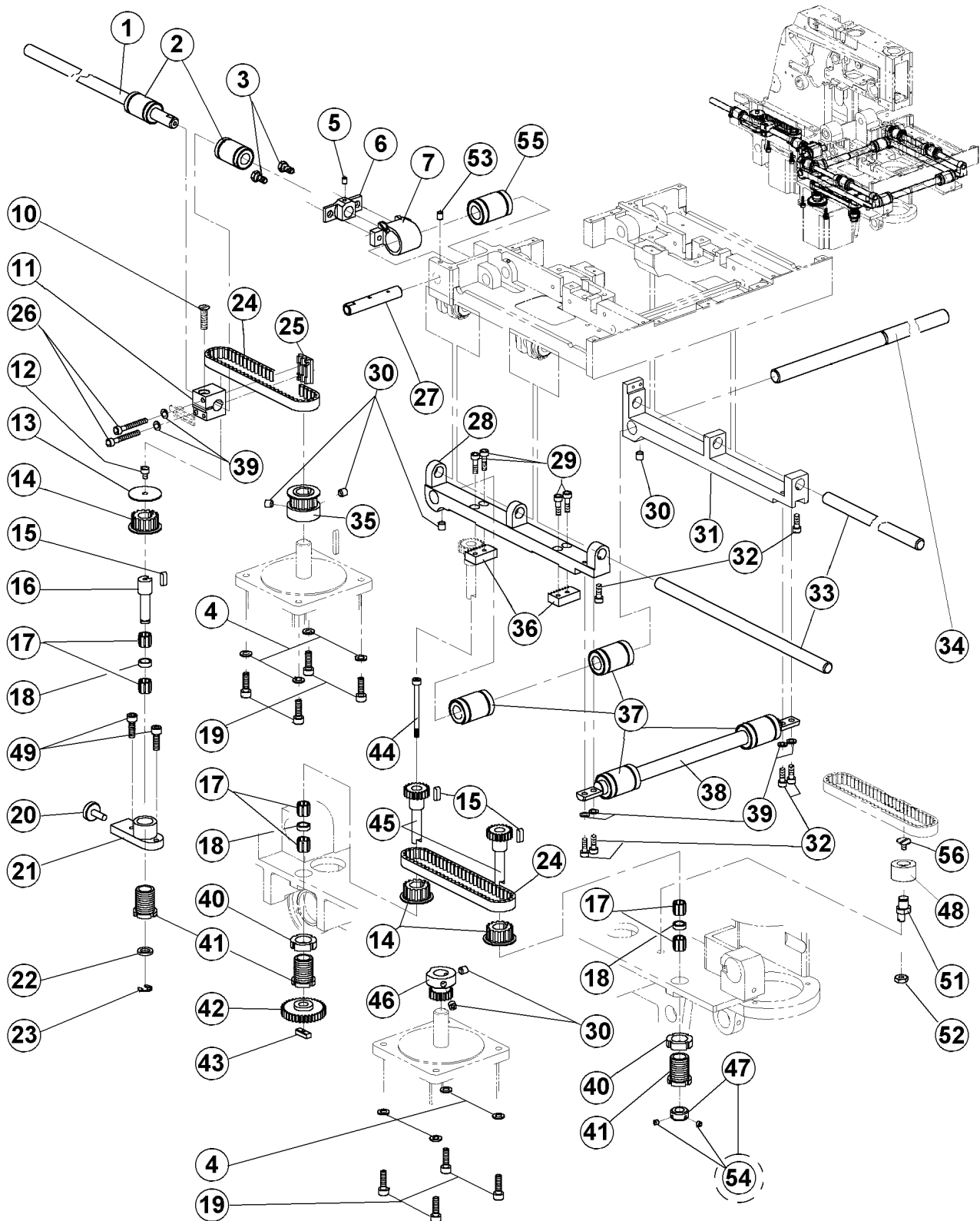
Revised 04 /2004

E-mail: [service@amfreece.cz](mailto:service@amfreece.cz); [parts@amfreece.cz](mailto:parts@amfreece.cz) ; website: [www.amfreece.com](http://www.amfreece.com)

Phones: +420 582 309 146 (Service), +420 582 309 286 (Spare Parts) ; Fax: +420 582 360 606



# X-Y TABLE MOVEMENT



Revised 04/2004

E-mail: [service@amfreece.cz](mailto:service@amfreece.cz); [parts@amfreece.cz](mailto:parts@amfreece.cz) ; website: [www.amfreece.com](http://www.amfreece.com)  
Phones: +420 582 309 146 (Service), +420 582 309 286 (Spare Parts) ; Fax: +420 582 360 606

## X-Y TABLE MOVEMENT

← IIII

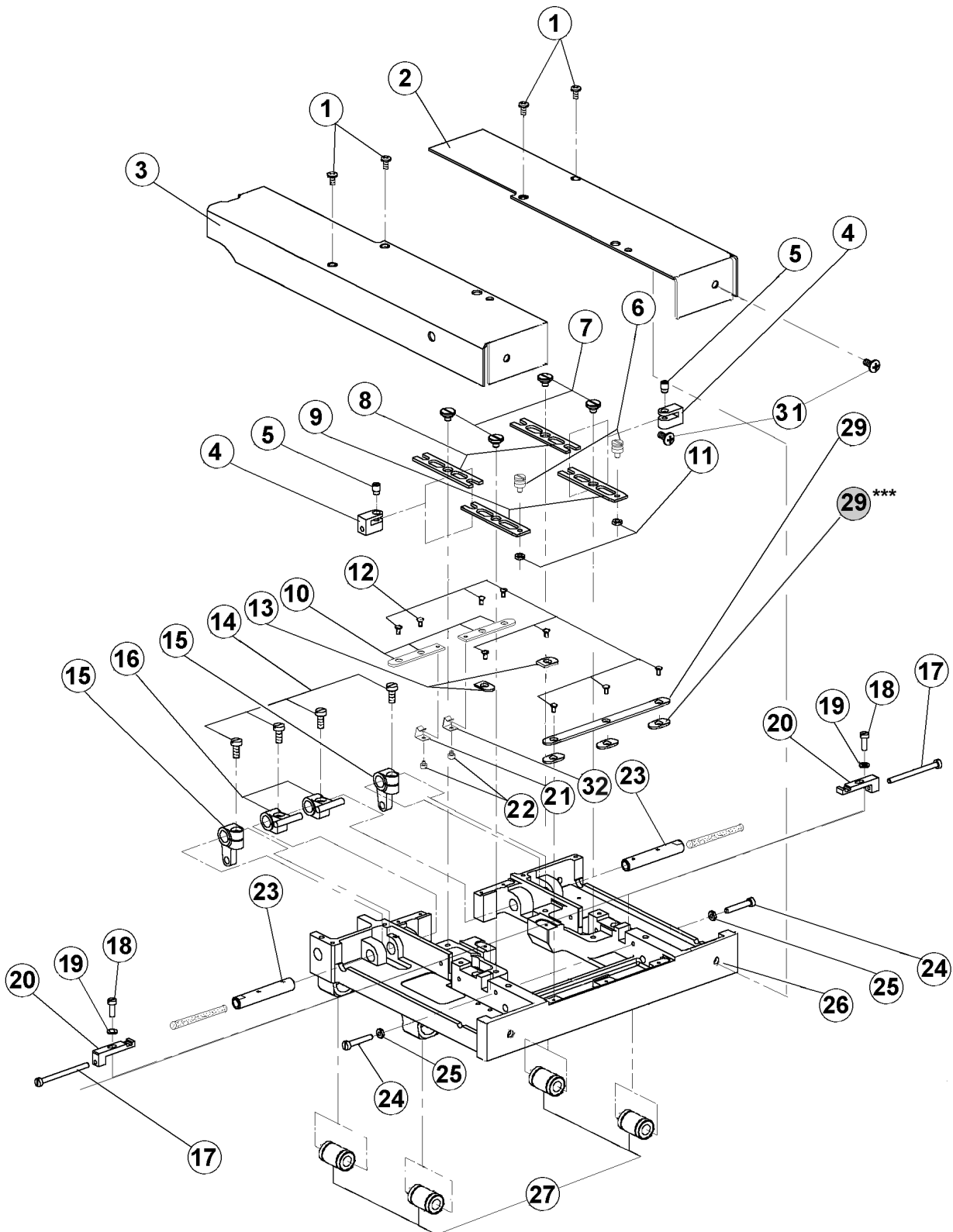
DET	PART NUMBER	DESCRIPTION	QTY.
51	19.0033.8.401	Tension Pulley Shaft	1
52	08.6700.6.300	Nut	1
53	08.6400.5.006	Screw	1
54	08.6400.4.004	Screw	(2)
55	07.0000.0.024	Linear Ball Bearing	1
56	17.0012.4.070	Screw	1

Revised 04 /2004

E-mail: [service@amfreece.cz](mailto:service@amfreece.cz); [parts@amfreece.cz](mailto:parts@amfreece.cz) ; website: [www.amfreece.com](http://www.amfreece.com)

Phones: +420 582 309 146 (Service), +420 582 309 286 (Spare Parts) ; Fax: +420 582 360 606

# BED PLATE ASSEMBLY



Revised 04/2004

E-mail: [service@amfreece.cz](mailto:service@amfreece.cz); [parts@amfreece.cz](mailto:parts@amfreece.cz) ; website: [www.amfreece.com](http://www.amfreece.com)  
 Phones: +420 582 309 146 (Service), +420 582 309 286 (Spare Parts) ; Fax: +420 582 360 606

## BED PLATE ASSEMBLY

DET	PART NUMBER	DESCRIPTION	QTY.	
01	08.6522.4.006	Screw	2	
02	19.0083.1.672	Plate	1	
03	19.0083.1.673	Plate	1	
04	19.0064.8.409	Knuckle	2	
05	22.2637.0.000	Screw	2	
06	19.0033.2.405	Screw	2	
07	19.0013.1.487	Screw	4	
08	19.0081.0.506	Fork	2	
09	19.0081.0.505	Fork	2	
10	19.0081.4.446	Plate	2	
11	19.0016.1.402	Nut	2	
12	17.0012.6.110	Screw	9	
13	19.0081.4.448	Plate	2	
14	08.6010.5.012	Screw	4	
15	19.0061.3.601	Lever	2	
16	19.0063.6.441	Lever	2	
17	08.6000.4.050	Screw	2	
18	08.6010.4.012	Screw	2	
19	08.6850.4.000	Washer	2	
20	19.0064.7.405	Slide Adjust Plate	2	
21	19.0028.3.403	L.H. Clip	2	
21	19.0028.3.403	Clip L.H.	1	
22	19.0012.5.400	Screw	2	
23	19.0031.8.405	Shaft	2	
24	08.6000.4.025	Screw	2	
25	08.6710.4.000	Nut	2	
26	19.0071.4.204	Bed Plate	●	1
27	07.0000.0.024	Linear Belt Pulley		4
28	19.0041.0.679	Bushing		4
29	19.0081.4.444	Plate		1
29***	17.0081.4.437	Plate ***		3***
30	19.0081.5.437	Holder	●	1
31	08.6032.5.010	Screw		2
32	19.0028.3.404	Clip R.H		1

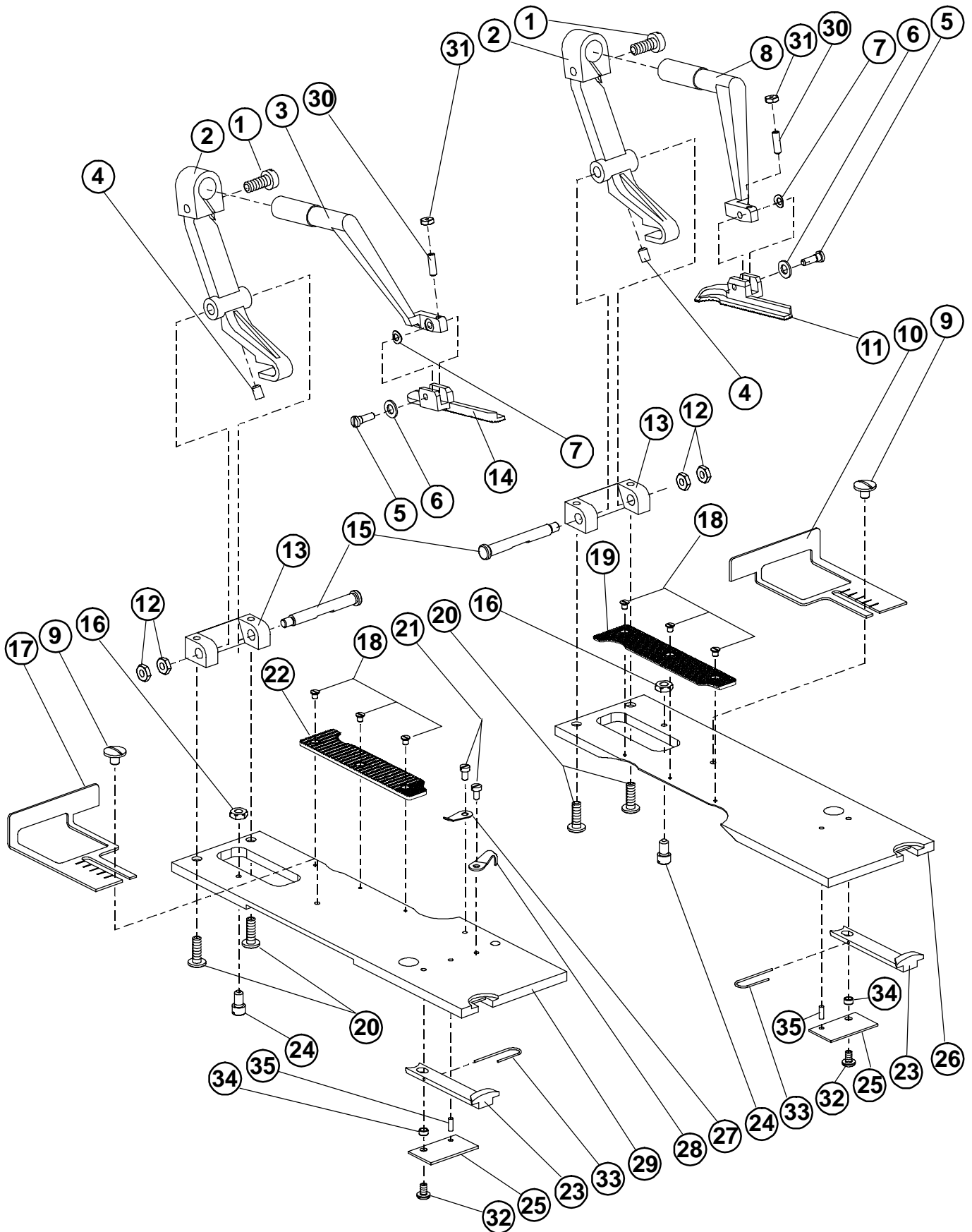
\*\*\* Modification — LTT

Revised 04 /2004

E-mail: [service@amfreece.cz](mailto:service@amfreece.cz); [parts@amfreece.cz](mailto:parts@amfreece.cz) ; website: [www.amfreece.com](http://www.amfreece.com)

Phones: +420 582 309 146 (Service), +420 582 309 286 (Spare Parts) ; Fax: +420 582 360 606

# CLAMPING - AF



Revised 04/2004

E-mail: [service@amfreece.cz](mailto:service@amfreece.cz); [parts@amfreece.cz](mailto:parts@amfreece.cz) ; website: [www.amfreece.com](http://www.amfreece.com)  
Phones: +420 582 309 146 (Service), +420 582 309 286 (Spare Parts) ; Fax: +420 582 360 606

## CLAMPING - AF

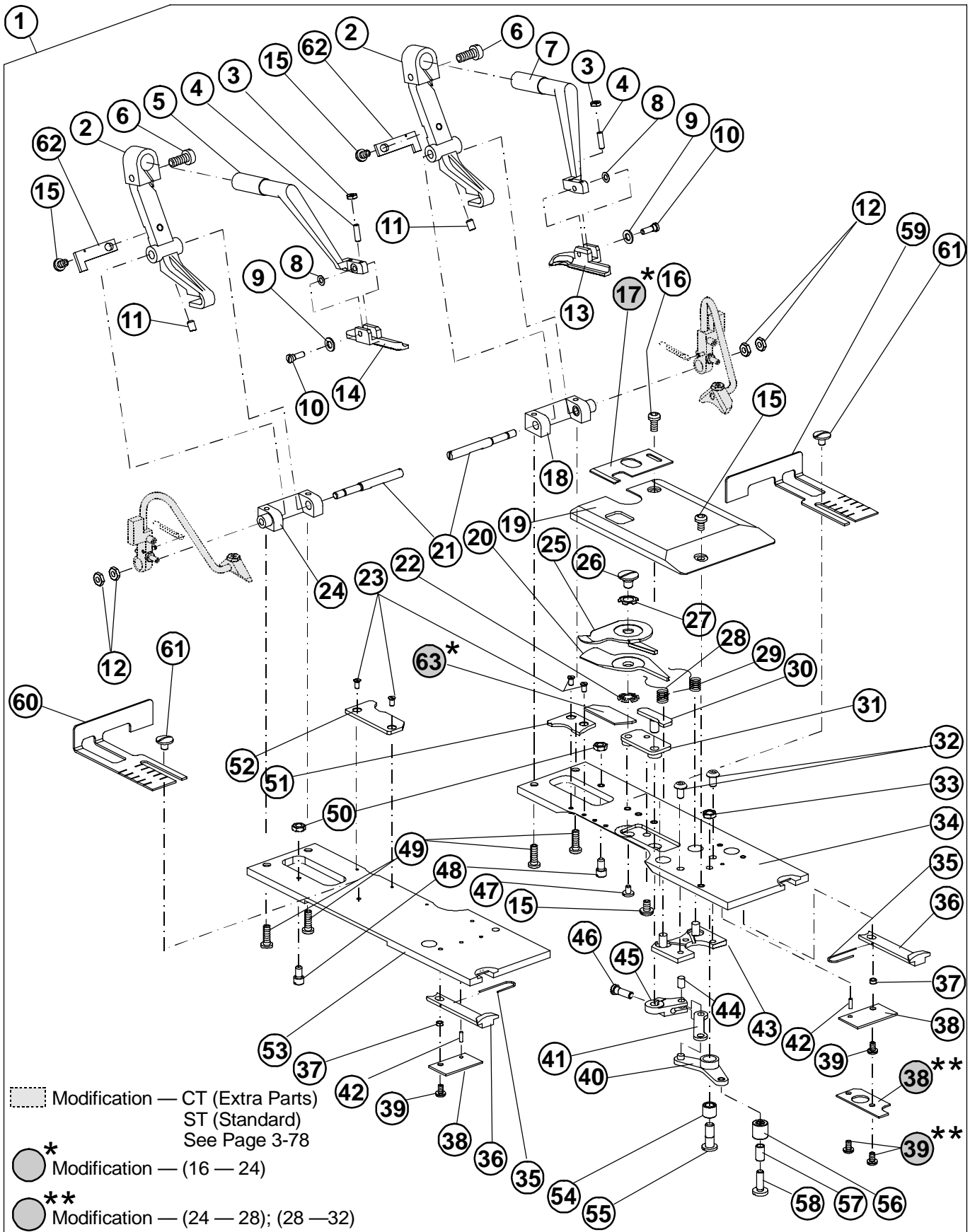
DET	PART NUMBER	DESCRIPTION	QTY.
01	08.6010.5.012	Screw	2
02	19.0063.5.406	Clamp Arm Base	2
03	19.0066.8.401	L.H. Clamp Arm	1
04	08.6400.4.006	Screw	2
05	17.0013.5.067	Screw	2
06	17.0019.5.040	Lockwasher	2
07	17.0019.2.066	Curved Spring Washer	2
08	19.0066.8.400	R.H. Clamp Arm	1
09	17.0012.4.106	Screw	2
10	19.0082.6.416	R.H.Cloth Gauge	1
11	17.0066.7.158	R.H. Clamp Foot 40	1
12	08.6710.4.000	Nut	4
13	19.0064.7.402	Block	2
14	17.0066.7.157	L.H. Clamp Foot 40	1
15	19.0032.8.401	Shaft	2
16	19.0016.1.402	Nut	2
17	19.0082.6.415	L.H.Cloth Gauge	1
18	17.0012.3.054	Screw	6
19	19.0081.1.760	R.H. Short Clamp Mat	1
20	08.6010.4.012	Screw	4
21	17.0012.0.303	Screw	2
22	19.0081.1.761	L.H. Short Clamp Mat	1
23	19.0062.5.408	Pawl	2
24	19.0033.1.401	Screw	2
25	19.0081.5.449	Cover	2
26	19.0081.5.440	R.H. Plate	● 1
27	17.0082.5.884	Clip	1
28	17.0087.0.169	Knife	1
29	19.0081.5.433	L.H. Plate	● 1
30	08.6400.3.010	Screw	2
31	08.6710.3.000	Nut	2
32	08.6200.3.005	Screw	4
33	19.0027.1.610	Spring	2
34	19.0041.0.684	Ring	2
35	12.1010.0.206	Pin	2

Revised 04 /2004

E-mail: [service@amfreece.cz](mailto:service@amfreece.cz); [parts@amfreece.cz](mailto:parts@amfreece.cz) ; website: [www.amfreece.com](http://www.amfreece.com)

Phones: +420 582 309 146 (Service), +420 582 309 286 (Spare Parts) ; Fax: +420 582 360 606

# CLAMPING - CT



Revised 04/2004

E-mail: [service@amfreece.cz](mailto:service@amfreece.cz); [parts@amfreece.cz](mailto:parts@amfreece.cz); website: [www.amfreece.com](http://www.amfreece.com)

Phones: +420 582 309 146 (Service), +420 582 309 286 (Spare Parts); Fax: +420 582 360 606



## CLAMPING - CT

DET	PART NUMBER	DESCRIPTION	QTY.
01	19.0003.1.651	Modification (16—20)	
	19.0003.1.652	Modification (20—24)	
	19.0003.1.653	Modification (24—28)	
	19.0003.1.654	Modification (28—32)	
02	19.0063.5.410	Clamp Arm Base	2
03	08.6710.3.000	Nut	2
04	08.6400.3.010	Screw	2
05	19.0066.8.401	L.H. Clamp Arm	1
06	08.6010.5.012	Screw	2
07	19.0066.8.400	R.H. Clamp Arm	1
08	17.0019.2.066	Curved Spring Washer	2
09	17.0019.5.040	Lockwasher	2
10	17.0013.5.067	Screw	2
11	08.6400.4.006	Screw	2
12	08.6710.4.000	Nut	4
13	See Table Below	R.H. Clamp Foot	—
14	See Table Below	L.H. Clamp Foot	—
15	08.6200.4.006	Screw	4
16	08.6200.4.008	Screw	1
17	See Table Below	Cover	—
18	19.0064.7.424	R.H. Block	1
19	19.0074.6.215	Cover Plate	1
20	19.0087.0.426	Lower Shear	1
21	19.0032.8.404	Screw	2
22	01.5062.0.000	Washer	1
23	17.0012.6.114	Screw M2.5x5	4
24	19.0064.7.423	L.H. Block	1
25	19.0087.0.425	Upper Shear	1
26	19.0013.1.486	Pivot Screw	1
27	19.0019.6.402	Washer	1
28	17.0026.4.065	L.H. Spring	1
29	17.0026.4.064	R.H. Spring	1
30	19.0062.5.404	Actuator	1
31	19.0064.8.428	Trim Mechanism Holder	1
32	17.0012.4.103	Screw	2
33	17.0016.1.054	Nut	1
34	See Table Below	R.H. Plate	—
35	19.0027.1.610	Spring	2
36	19.0062.5.408	Pawl	2
37	19.0041.0.684	Ring	2
38	See Table Below	Cover	—
39	See Table Below	Screw	—
40	See Table Below	Lever	—
41	See Table Below	Lever	—
42	See Table Below	Pin	—
43	19.0005.2.212	Actuator	1
44	12.1010.0.000	Pin	1
45	19.0061.3.605	Lower Lever	1
46	17.0012.0.543	Screw	1
47	17.0012.0.605	Screw	1

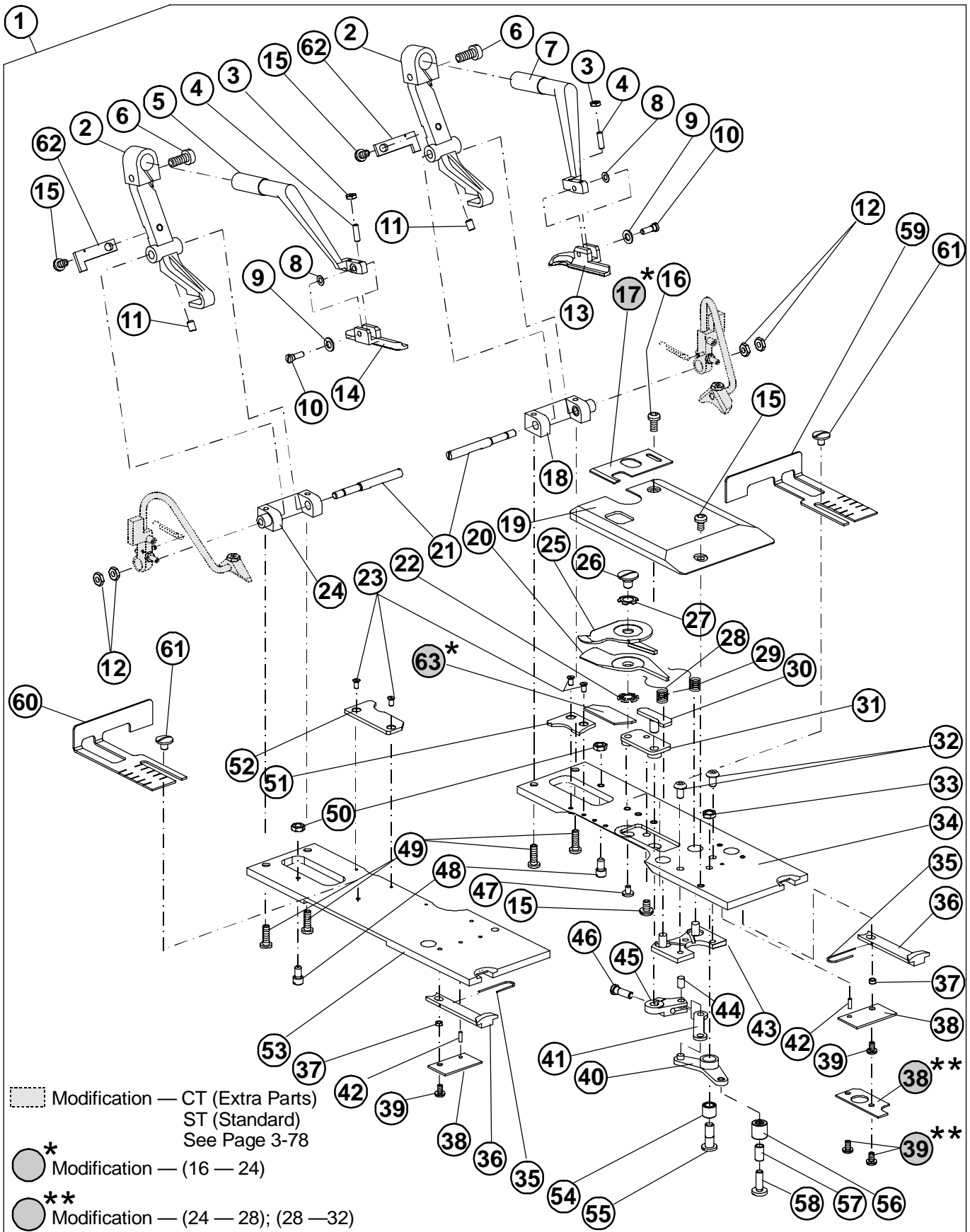
Revised 04 /2004

E-mail: [service@amfreece.cz](mailto:service@amfreece.cz); [parts@amfreece.cz](mailto:parts@amfreece.cz); website: [www.amfreece.com](http://www.amfreece.com)

Phones: +420 582 309 146 (Service), +420 582 309 286 (Spare Parts); Fax: +420 582 360 606



# CLAMPING - CT



Revised 04/2004

E-mail: [service@amfreece.cz](mailto:service@amfreece.cz); [parts@amfreece.cz](mailto:parts@amfreece.cz); website: [www.amfreece.com](http://www.amfreece.com)  
Phones: +420 582 309 146 (Service), +420 582 309 286 (Spare Parts); Fax: +420 582 360 606

## CLAMPING - CT



DET	PART NUMBER	DESCRIPTION	QTY.
48	19.0033.1.401	Screw	2
49	08.6010.4.012	Screw	4
50	19.0016.1.402	Nut	2
51	See Table Below	R.H. Clamp Mat	—
52	See Table Below	L.H. Clamp Mat	—
53	19.0081.5.433	L.H. Plate	1
54	19.0044.1.626	Roll	1
55	19.0012.1.404	Screw	1
56	12.2050.1.005	Needle Bearing	1
57	19.0041.1.400	Roll	1
58	17.0012.1.142	Screw	1
59	19.0082.6.422	R.H. Cloth Gauge	1
60	19.0082.6.421	L.H. Cloth Gauge	1
61	17.0012.4.106	Screw	2
62	19.0081.0.510	Plate	2
63	See Table Below	Rubber	—

DET	BUTTONHOLE LENGTH								DESCRIPTION
	16—20		20—24		24—28		28—32		
	PART NUMBER	QTY.	PART NUMBER	QTY.	PART NUMBER	QTY.	PART NUMBER	QTY.	
13	19.0066.7.416	1	19.0066.7.410	1	19.0066.7.418	1	19.0066.7.420	1	R.H. Clamp Foot
14	19.0066.7.417	1	19.0066.7.411	1	19.0066.7.419	1	19.0066.7.421	1	L.H. Clamp Foot
17	19.0081.5.429	1	—						Cover
34	19.0081.5.432	1	19.0081.5.434	1	19.0081.5.436	1	19.0081.5.438	1	R.H. Plate
38	19.0081.5.449			2	19.0081.5.441			1	Cover
					19.0081.5.449			1	
39	08.6200.3.005			2	08.6200.3.005			3	Screw
40	19.0063.3.402					1	19.0063.3.405	1	Lever
41	19.0081.0.511	1	19.0081.0.512	1	19.0081.0.513			1	Lever
42	10.1010.0.026			2	—				Pin
51	19.0081.1.766	1	18.0081.1.404	1	19.0081.1.768	1	19.0081.1.764	1	R.H. Clamp Mat
52	19.0081.1.767	1	18.0081.1.403	1	19.0081.1.769	1	19.0081.1.765	1	L.H. Clamp Mat
63	19.0094.0.411	1	—						Rubber

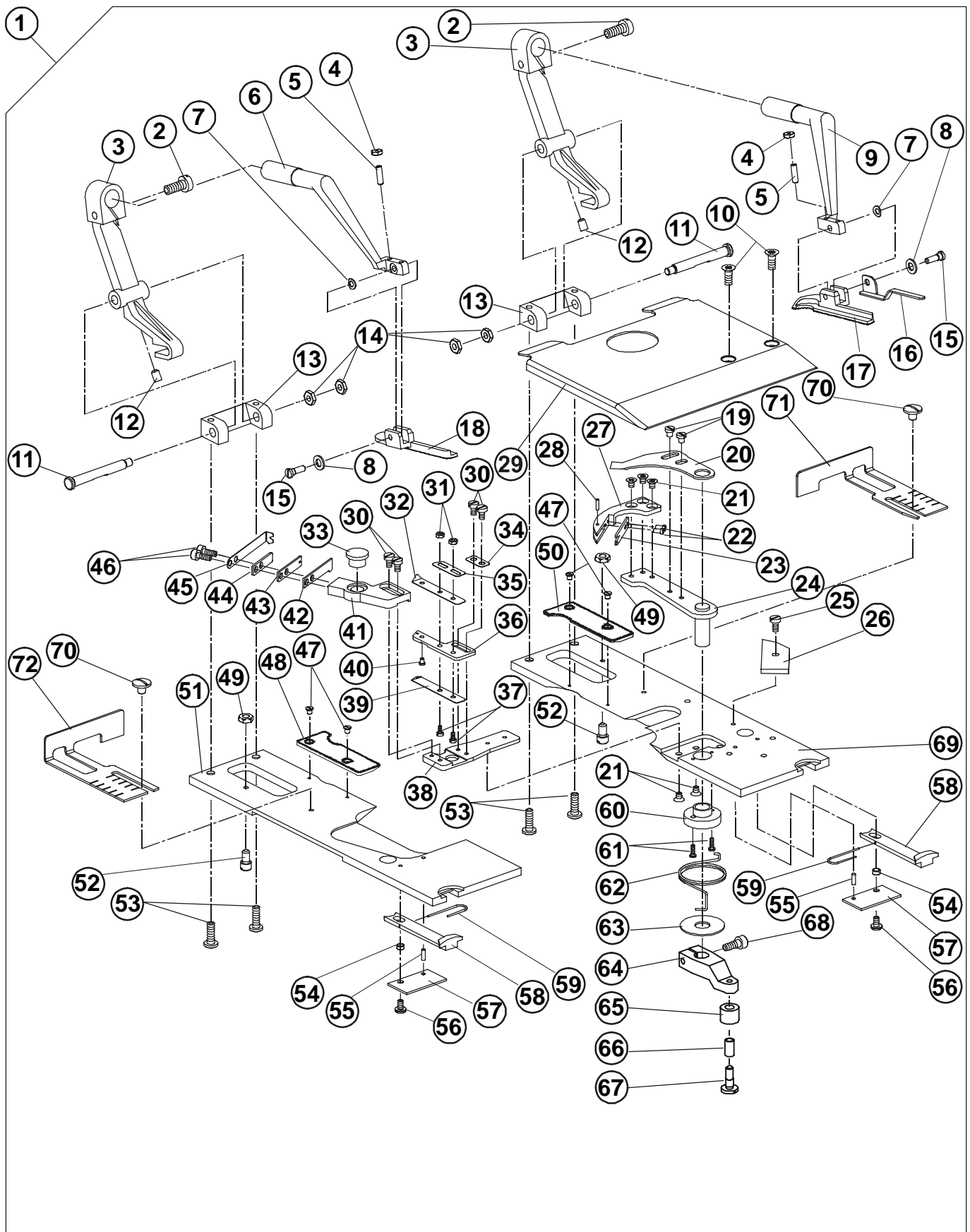
• Modification —ST(Short Travel) See Page 3-77

Revised 04 /2004

E-mail: [service@amfreece.cz](mailto:service@amfreece.cz); [parts@amfreece.cz](mailto:parts@amfreece.cz) ; website: [www.amfreece.com](http://www.amfreece.com)

Phones: +420 582 309 146 (Service), +420 582 309 286 (Spare Parts) ; Fax: +420 582 360 606

# CLAMPING KIT - LTT



Revised 04/2004

E-mail: [service@amfreece.cz](mailto:service@amfreece.cz); [parts@amfreece.cz](mailto:parts@amfreece.cz); website: [www.amfreece.com](http://www.amfreece.com)  
Phones: +420 582 309 146 (Service), +420 582 309 286 (Spare Parts); Fax: +420 582 360 606

## CLAMPING KIT - LTT

DET	PART NUMBER	DESCRIPTION	QTY.
01	19.0003.1.655	Kit — LTT	1
02	08.6010.5.012	Screw	(2)
03	19.0063.5.406	Clamp Arm Base	(2)
04	08.6710.3.000	Nut	(2)
05	08.6400.3.010	Screw	(2)
06	19.0066.8.401	L.H.Clamp Arm	(1)
07	17.0019.2.066	Curved Spring Washer	(2)
08	17.0019.5.040	Lockwasher	(2)
09	19.0066.8.400	R.H.Clamp Arm	(1)
10	08.6132.4.010	Screw	(2)
11	19.0032.8.401	Shaft	(2)
12	08.6400.4.006	Screw	(2)
13	19.0064.7.402	Block	(2)
14	08.6710.4.000	Nut	(4)
15	17.0013.5.067	Screw	(2)
16	19.0082.3.439	Holder Cloth	(1)
17	19.0066.7.402	R.H.Clamp Foot	(1)
18	19.0066.7.403	L.H.Clamp Foot	(1)
19	08.6017.3.003	Screw	(2)
20	19.0082.6.427	Lower Thread Grasping Opener	(1)
21	08.6117.3.004	Screw	(5)
22	08.6010.2.004	Screw	(2)
23	19.0082.1.405	Treating Plate	(1)
24	19.0005.2.215	Lever	(1)
25	08.6012.3.006	Screw	(1)
26	19.0094.0.410	Rubber	(1)
27	19.0087.0.424	Knife	(1)
28	12.1014.0.000	Spring Pin	(1)
29	19.0004.1.402	Cover	(1)
30	08.6117.3.005	Screw	(4)
31	08.6702.2.000	Nut	(2)
32	19.0081.5.452	Gimp Grasping	(1)
33	17.0094.1.401	Rubber	(1)
34	19.0081.5.451	Grasping Spacer	(1)
35	19.0028.3.407	Spring	(1)
36	19.0082.6.432	Grasping Fixing Plate	(1)
37	08.6132.2.004	Screw	(2)
38	19.0082.6.426	Support Plate	(1)
39	19.0082.3.438	Lower Thread Grasping	(1)
40	19.0031.3.404	Pin	(1)
41	19.0066.8.402	Knife Holder	(1)
42	19.0081.5.453	Fixing Knife	(1)
43	19.0028.3.405	Spring Lower	(1)
44	19.0028.3.406	Spring Upper	(1)
45	19.0082.3.437	Guide Plate	(1)
46	08.6000.3.008	Screw	(2)
47	17.0012.3.054	Screw	(4)
48	19.0081.1.761	L.H. Long Clamp	(1)
49	19.0016.1.402	Nut	(2)
50	19.0081.1.760	R.H. Long Clamp	(1)

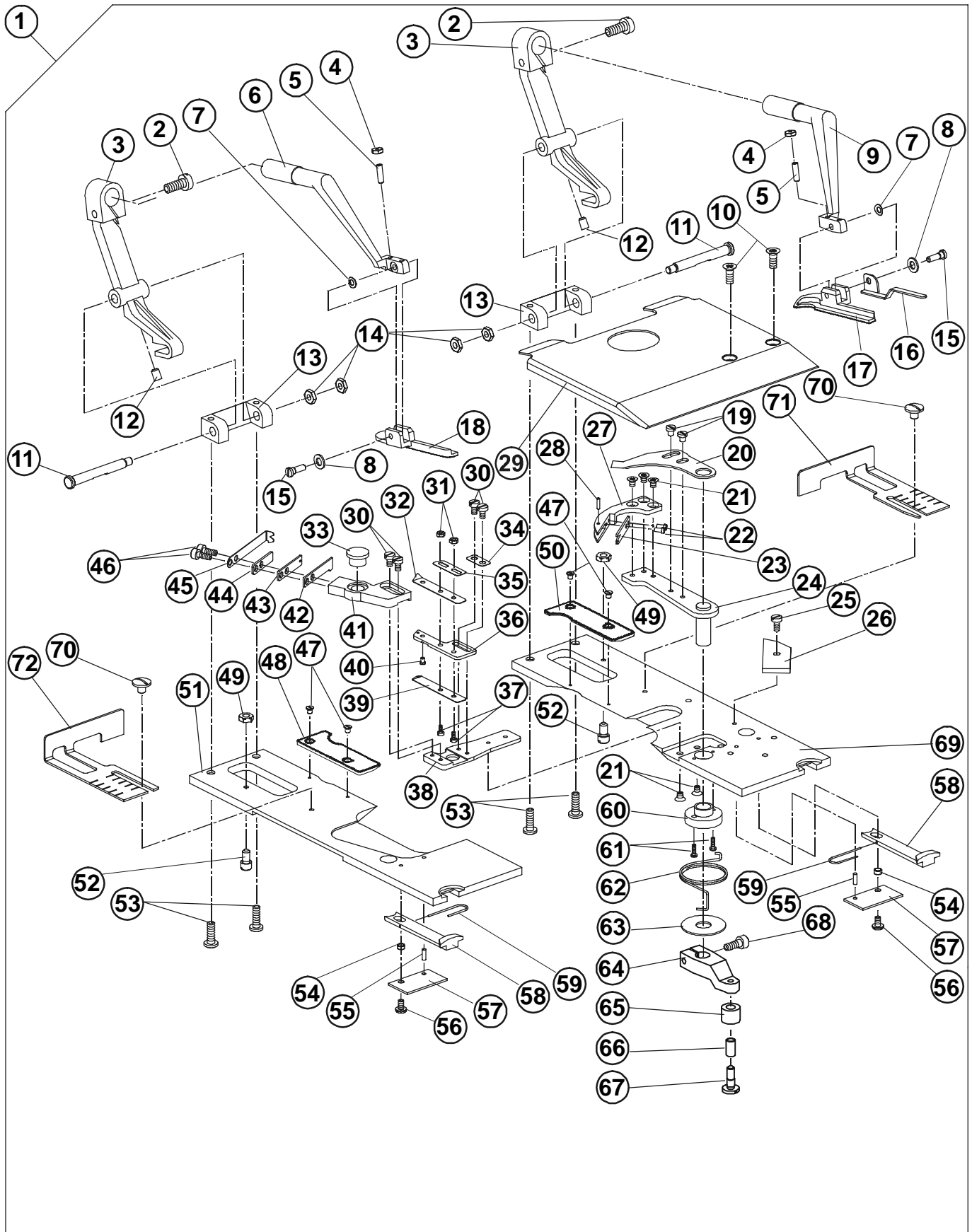
Revised 04 /2004

E-mail: [service@amfreece.cz](mailto:service@amfreece.cz); [parts@amfreece.cz](mailto:parts@amfreece.cz) ; website: [www.amfreece.com](http://www.amfreece.com)

Phones: +420 582 309 146 (Service), +420 582 309 286 (Spare Parts) ; Fax: +420 582 360 606



# CLAMPING KIT - LTT

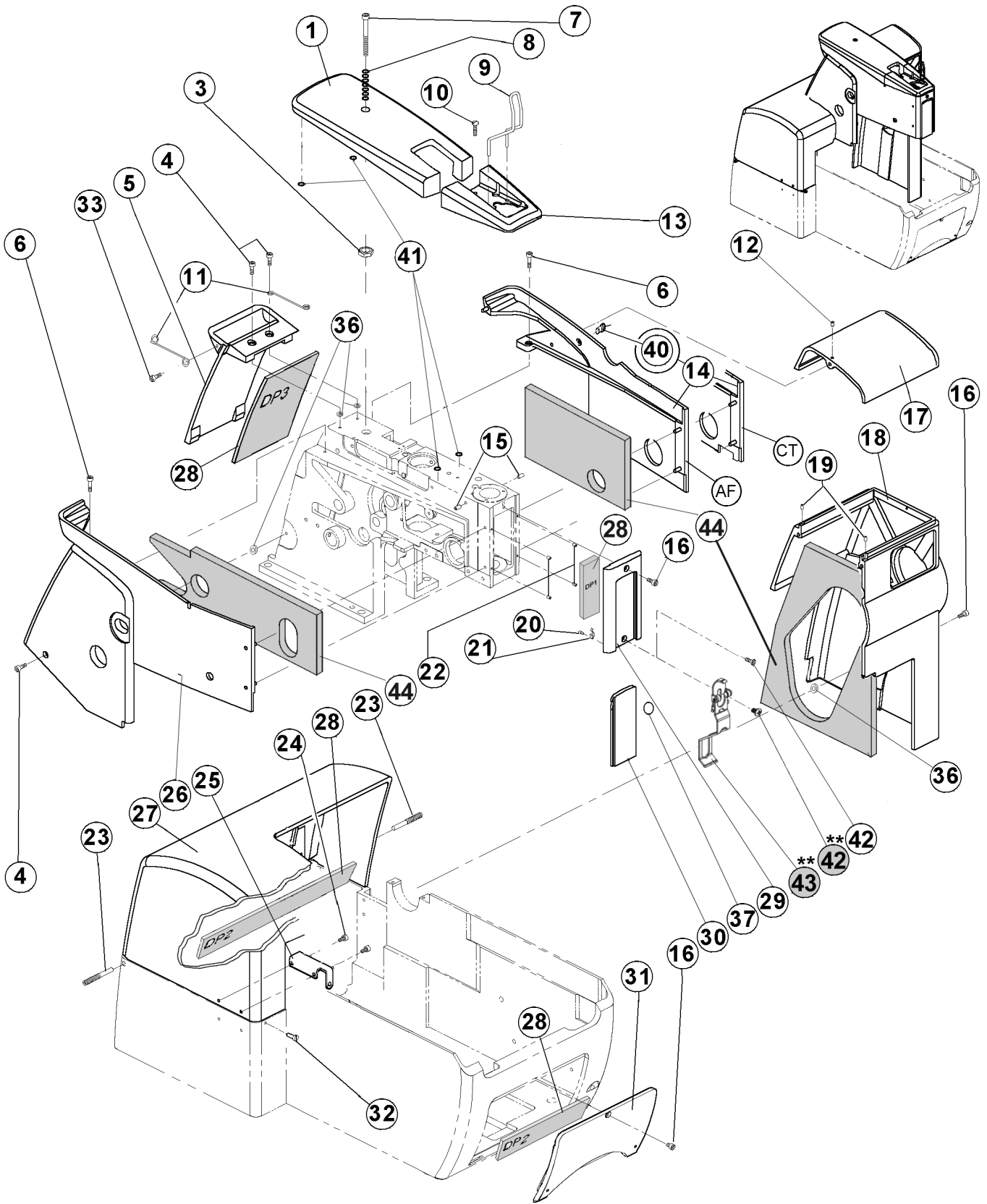


Revised 04/2004

E-mail: [service@amfreece.cz](mailto:service@amfreece.cz); [parts@amfreece.cz](mailto:parts@amfreece.cz) ; website: [www.amfreece.com](http://www.amfreece.com)  
Phones: +420 582 309 146 (Service), +420 582 309 286 (Spare Parts) ; Fax: +420 582 360 606



**COVERS**



Revised 04/2004

E-mail: [service@amfreece.cz](mailto:service@amfreece.cz); [parts@amfreece.cz](mailto:parts@amfreece.cz) ; website: [www.amfreece.com](http://www.amfreece.com)  
 Phones: +420 582 309 146 (Service), +420 582 309 286 (Spare Parts) ; Fax: +420 582 360 606



**COVERS**

DET	PART NUMBER	DESCRIPTION	QTY.
01	19.0074.6.213	Upper Cover ●	1
02			
03	08.6700.5.000	Nut	1
04	08.6000.4.012	Screw	3
05	18.0074.6.206	Arm Cover ●	1
06	08.6000.4.016	Screw	2
07	08.6000.5.045	Screw	1
08	17.0026.0.216	Spring	1
09	17.0027.1.419	Guard	1
10	08.6200.4.012	Screw	1
11	17.0027.1.463	Thread Guide	2
12	08.6400.4.004	Screw	1
13	19.0074.6.212	Upper Fixed Cover	1
14	18.0074.6.204	R.H. Cover — AF ●	1
14	19.0074.6.220	R.H. Cover — CT ●	1
15	08.6400.4.008	Screw	2
16	08.6000.4.010	Screw	3
17	18.0074.6.207	Stitch Drive Cover	1
18	19.0075.4.402	Control Panel Cover ●	1
19	08.6400.3.006	Screw	2
20	18.0011.3.401	Screw	1
21	18.0028.3.400	Spring	1
22	08.6400.3.005	Screw	4
23	18.0033.1.402	Screw	2
24	08.6000.4.008	Screw	2
25	19.0083.4.021	Shim	1
26	19.0074.6.211	L.H. Cover ●	1
27	19.0074.6.222	Cover ●●●	1
28	19.0095.3.407	Sound Suppressor Kit (1—3) ●●●	1
29	18.0074.6.203	Front Cover ●	1
30	18.0095.4.400	Plastic Guard Cover	1
31	18.0074.6.201	Front Cover ●	1
32	08.6000.4.014	Screw	1
33	08.6200.4.008	Screw	1
34			
35			
36	17.0094.1.097	Rubber Washer	4
37	12.0008.6.915	Holder	1
38			
39			
40	17.0042.1.332	Bushing	(1)
41	12.0008.6.959	Support	4
42	08.6200.4.008	Screw	1
42**	08.6032.4.008	Screw **	1**
43**	10.1215.0.050	Needle Guard Assembly **	1**
44	19.0095.3.404	Sound Suppressor Kit ●●●	1

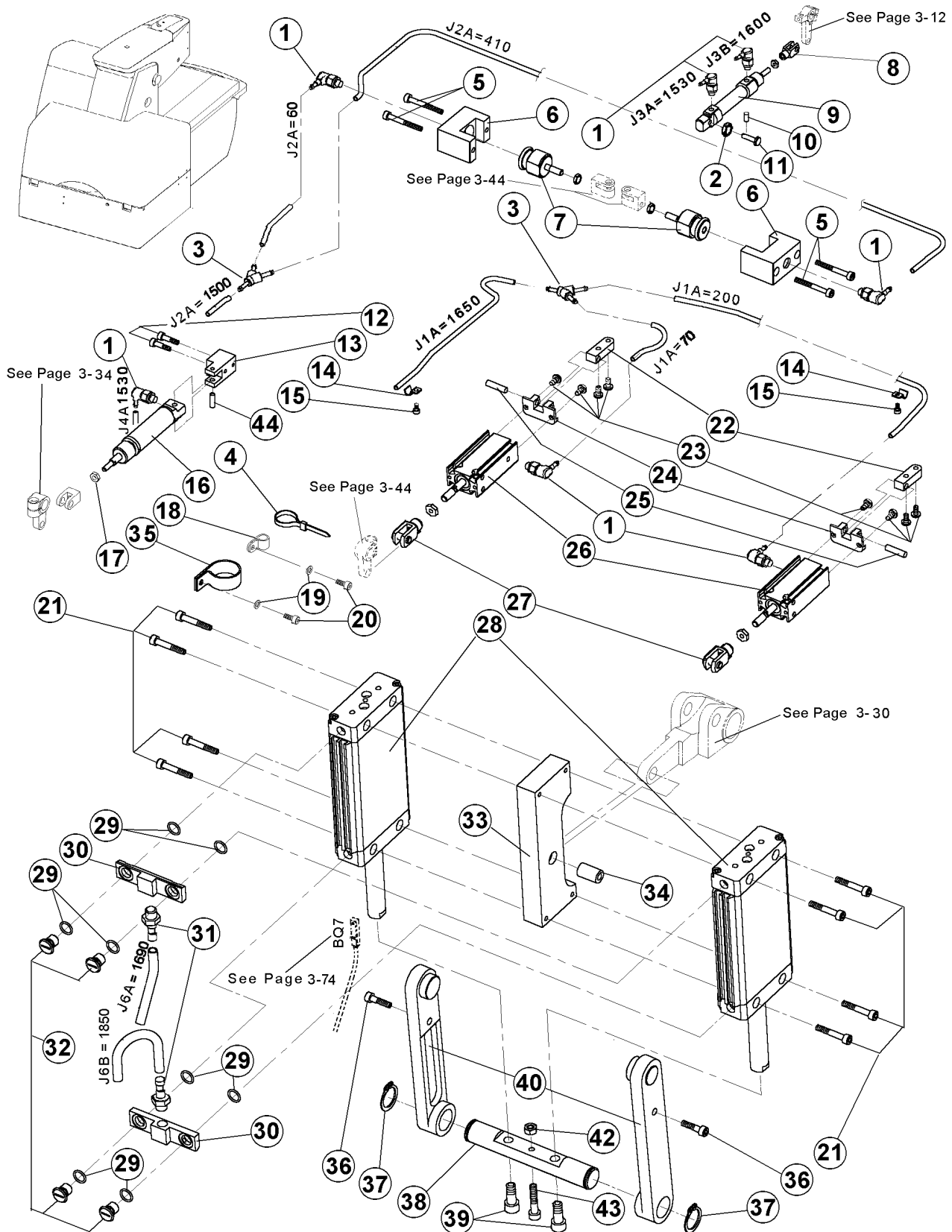
\*\* Modification — ST (Short Travel) See Page 3-78

Revised 04 /2004

E-mail: service@amfreece.cz; parts@amfreece.cz ; website: www.amfreece.com

Phones: +420 582 309 146 (Service), +420 582 309 286 (Spare Parts) ; Fax: +420 582 360 606

# HEAD PNEUMATIC PARTS STANDARD



Revised 04/2004

E-mail: [service@amfreece.cz](mailto:service@amfreece.cz); [parts@amfreece.cz](mailto:parts@amfreece.cz) ; website: [www.amfreece.com](http://www.amfreece.com)

Phones: +420 582 309 146 (Service), +420 582 309 286 (Spare Parts) ; Fax: +420 582 360 606

**HEAD PNEUMATIC PARTS STANDARD**

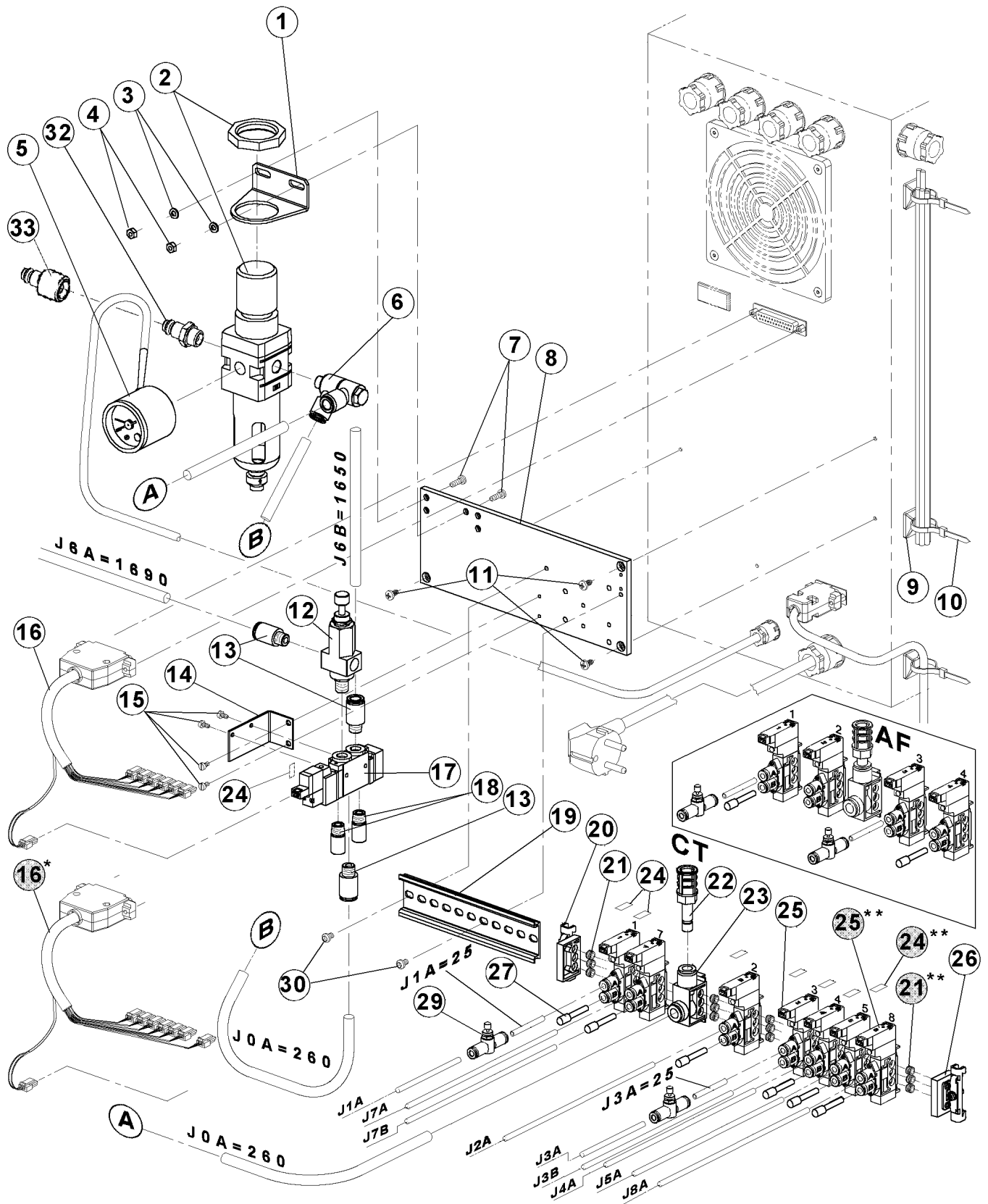
DET	PART NUMBER	DESCRIPTION	QTY.
01	12.0008.3.254	Connector LCN-M5-PK-3	7
02	08.6710.4.000	Nut	1
03	12.0008.3.090	Connector Y-PK-3	2
04	12.0008.3.023	Ty-wrap	15
05	08.6000.4.035	Screw	4
06	19.0064.8.413	Valve Holder	2
07	12.0008.3.233	Cylinder EGZ-16-5	2
08	12.0008.3.040	Knuckle SG-M4	1
09	12.0008.3.260	Cylinder DSEU-10-25-9-A	1
10	08.6710.4.000	Nut	1
11	08.6000.4.060	Screw	1
12	08.6000.4.014	Screw	2
13	19.0064.8.419	Cylinder Holder	1
14	17.0082.6.000	Clamp	2
15	08.6000.3.006	Screw	2
16	12.0008.3.180	Cylinder ESN-16-15-P	1
17	08.6702.4.000	Nut	1
18	12.0008.4.100	Cord Clamp	1
19	08.6850.4.000	Washer	2
20	08.6000.4.010	Screw	2
21	08.6000.5.030	Screw	8
22	19.0062.6.403	Holder	2
23	08.6200.4.008	Screw	8
24	19.0064.8.408	Cylinder Holder	2
25	07.6045.0.060	Pin 5x20	2
26	12.0008.3.148	Cylinder EMM-16-10-P-A	2
27	12.0008.3.102	Knuckle SG-M6	2
28	12.0008.3.234	Cylinder DZF-40-80-P-A	2
29	12.0008.6.810	O Ring	8
30	19.0064.6.465	Connector	2
31	12.0008.3.092	Connector CN-1/8-PK-6	2
32	19.0015.6.402	Screw	4
33	19.0064.8.415	Block	1
34	19.0031.8.407	Pin	1
35	12.0008.4.197	Cord Clamp	1
36	08.6000.6.020	Screw	2
37	12.1045.1.002	Retaining Ring 20	2
38	19.0031.8.408	Shaft	1
39	08.6000.8.025	Screw	2
40	19.0074.4.526	Cylinder Holder	2
41	See Page 3-61	Air Tubing	
42	08.6700.6.000	Nut	1
43	08.6000.6.030	Screw	1
44	08.6400.4.014	Screw	1

Revised 04 /2004

E-mail: [service@amfreece.cz](mailto:service@amfreece.cz); [parts@amfreece.cz](mailto:parts@amfreece.cz) ; website: [www.amfreece.com](http://www.amfreece.com)

Phones: +420 582 309 146 (Service), +420 582 309 286 (Spare Parts) ; Fax: +420 582 360 606

# CONTROL BOX - PNEUMATIC PARTS



Revised 04/2004

E-mail: [service@amfreece.cz](mailto:service@amfreece.cz); [parts@amfreece.cz](mailto:parts@amfreece.cz) ; website: [www.amfreece.com](http://www.amfreece.com)

Phones: +420 582 309 146 (Service), +420 582 309 286 (Spare Parts) ; Fax: +420 582 360 606

**CONTROL BOX - PNEUMATIC PARTS**

DET	PART NUMBER	DESCRIPTION	QTY.
01	12.0008.3.659	Regular Holder	1
02	12.0008.3.658	Regulator	1
03	08.6852.4.000	Washer	2
04	08.6702.4.000	Nut	2
05	12.0008.3.418	Pressure Gauge	1
06	12.0008.3.612	Connector	1
07	08.6012.4.008	Screw	2
08	19.0081.5.419	Plate	1
09	12.0008.4.058	Clip	4
10	12.0008.3.023	Ty-wrap ●●●	4
11	08.6683.4.007	Screw	3
12	12.0008.3.615	Regulátor	1
13	12.0008.3.616	Connector	3
14	19.0082.3.429	Regular Holder	1
15	08.6010.3.006	Screw	4
16	19.0007.9.493	Cable Valve	1
16**	19.0007.9.483	Cable Valve	1**
17	12.0008.3.614	Pneumatic Valve	1
18	12.0008.3.427	Silencer	2
19	12.0008.3.661	DIN Rail	1
20	12.0008.3.478	Rail Stopper	1
21	12.0008.3.477	Connector	24
21**	12.0008.3.477	Connector**	3**
22	12.0008.3.483	Silencer	1
23	12.0008.3.479	Air Supply Block Assembly	1
24	12.8000.x.xxx	Labels Kit	
24**	12.8000.x.xxx	Labels Kit**	
25	12.0008.3.482	Pneumatic Valve	6
25**	12.0008.3.482	Pneumatic Valve **	1**
26	12.0008.3.476	Rail Stopper	1
27	12.0008.3.426	Plug ●●●	5
28			
29	12.0008.3.430	Speed Controller	2
30	08.6200.4.006	Screw	2
31	19.0094.2.406	Air Tubing 4x0,75  Air Tubing 8x1,25  J1A=1650/200/70/25 ●●● J2A=1500/410/50 J3A=1530/25 J3B=1600 J4A=1530 J5A=1470/1370/200 J7A=1820 (CT, LTT) J7B = 1750 (LTT) J0A=260/ 260 J6A=1690 J6B=1650	(1)
31**	SeePage 3-78	Air Tubing 4x0,75 J8A**=1300/910/280	—
32	12.0008.3.420	Connector	1
33	Se Page 3-80	Connector	—

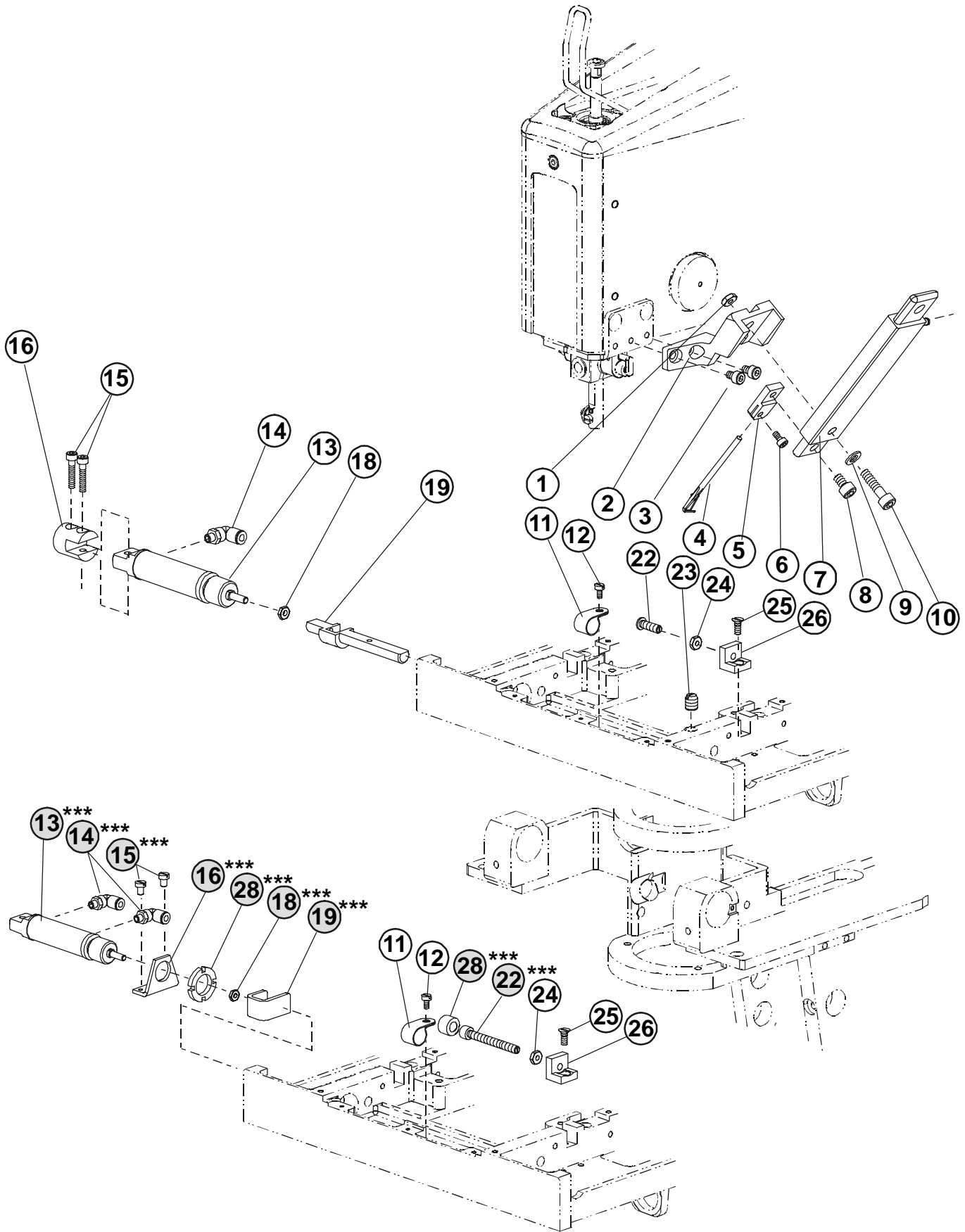
\*\* Modification — ST (Short Travel) See Page 3-78

Revised 04 /2004

E-mail: service@amfreece.cz; parts@amfreece.cz ; website: www.amfreece.com

Phones: +420 582 309 146 (Service), +420 582 309 286 (Spare Parts) ; Fax: +420 582 360 606

# HEAD PNEUMATIC PARTS - CORD TRIM—LTT



Revised 04/2004

E-mail: [service@amfreece.cz](mailto:service@amfreece.cz); [parts@amfreece.cz](mailto:parts@amfreece.cz) ; website: [www.amfreece.com](http://www.amfreece.com)  
Phones: +420 582 309 146 (Service), +420 582 309 286 (Spare Parts) ; Fax: +420 582 360 606

**HEAD PNEUMATIC PARTS - CORD TRIM—LTT**

DET	PART NUMBER	DESCRIPTION	QTY.
01	08.6710.5.000	Nut	1
02	19.0062.2.405	Cylinder Holder	1
03	08.6000.4.006	Screw	2
04	18.0027.2.400	Thread Pick-Up	1
05	17.0064.8.401	Thread Pick-Up Holder	1
06	08.6000.3.006	Screw	1
07	12.0008.3.125	Cylinder	1
08	08.6000.5.008	Screw	1
09	08.6850.5.000	Washer	1
10	08.6000.5.020	Screw	1
11	12.0008.4.280	Cord Clamp	1
12	08.6000.3.006	Screw	1
13	12.0008.3.180	Cylinder	1
13***	12.0008.3.622	Cylinder ***	(1)
14	12.0008.3.029	Connector	1
14***	12.0008.3.029	Connector ***	(2)
15	08.6000.4.025	Screw	2
15***	08.6012.4.006	Screw ***	(2)
16	19.0064.8.420	Cylinder Holder	1
16***	19.0082.3.435	Holder ***	(1)
18	08.6710.4.000	Nut	3
18***	08.6702.6.000	Nut ***	(1)
19	19.0036.2.401	Rod	1
19***	19.0082.3.434	Cylinder Click ***	(1)
22***	08.6000.5.060	Screw ***	(1)
22	17.0012.7.007	Screw	1
23	19.0011.1.400	Screw	1
24	08.6710.5.000	Nut	1
25	08.6100.4.010	Screw	1
26	19.0064.6.472	Stop	1
28***	19.0095.1.405	Stop	(1)

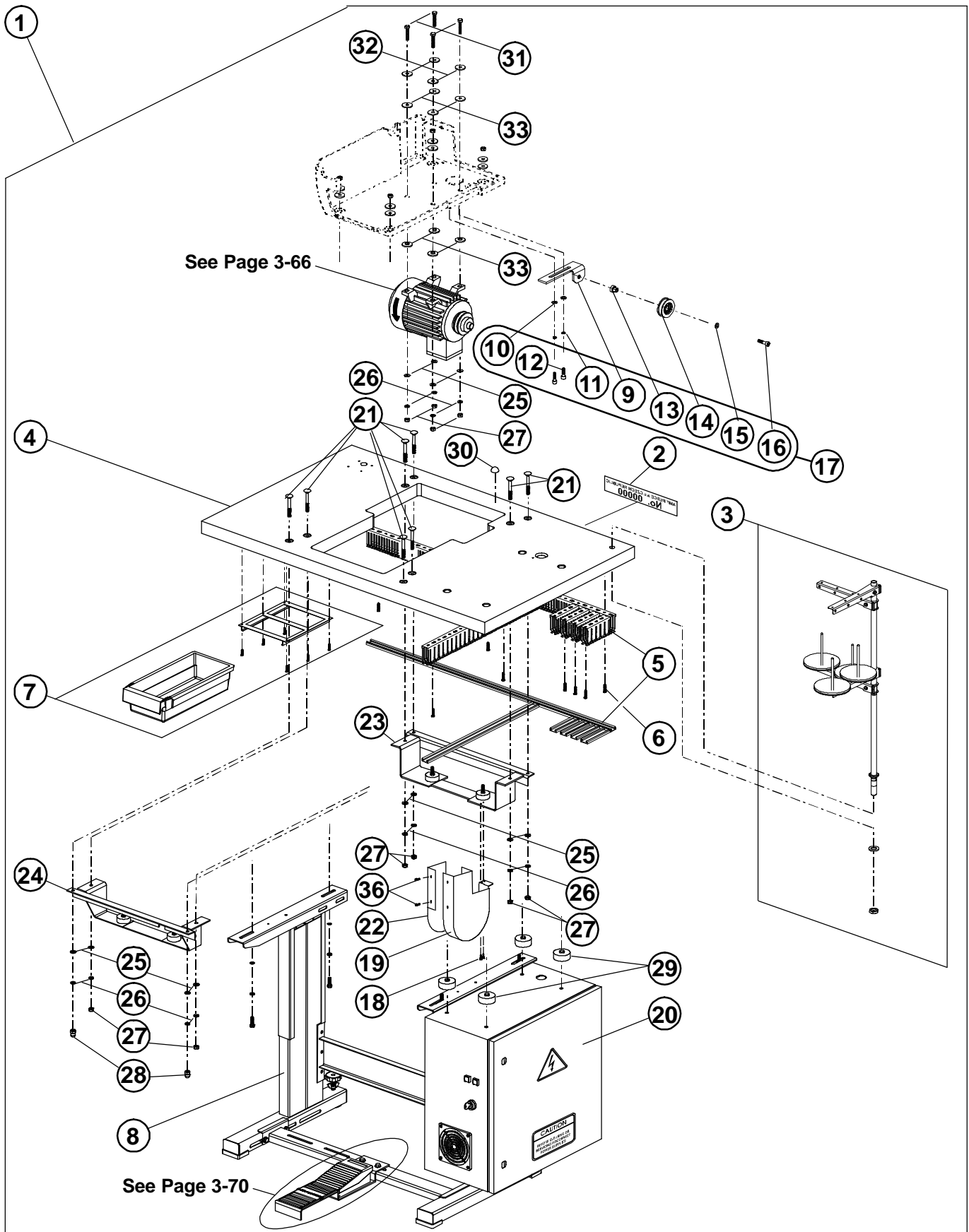
\*\*\* Modification — LTT

Revised 04 /2004

E-mail: [service@amfreece.cz](mailto:service@amfreece.cz); [parts@amfreece.cz](mailto:parts@amfreece.cz) ; website: [www.amfreece.com](http://www.amfreece.com)

Phones: +420 582 309 146 (Service), +420 582 309 286 (Spare Parts) ; Fax: +420 582 360 606

# TABLE



Revised 04/2004

E-mail: [service@amfreece.cz](mailto:service@amfreece.cz); [parts@amfreece.cz](mailto:parts@amfreece.cz) ; website: [www.amfreece.com](http://www.amfreece.com)

Phones: +420 582 309 146 (Service), +420 582 309 286 (Spare Parts) ; Fax: +420 582 360 606



**TABLE**

DET	PART NUMBER	DESCRIPTION	QTY.
01	19.0007.8.405	Table Assembly	1
02	04.1416.0.003	Label "No. xxxxx" ●●●	1
03	17.0003.6.156	Thread Stand Assembly	1
04	19.0091.0.402	Table Top ●●●	1
05	19.0095.2.402	Latch for Cable Kit ●●●	1
06	08.6676.3.020	Screw	6
07	12.0008.6.901	Drawer Kit ●●●	1
08	04.9000.2.123	Frame Kit	1
09	04.9000.0.444	Holder Roller	1
10	08.6850.6.000	Washer	2
11	08.6800.6.000	Spring Washer	2
12	08.6000.6.020	Screw	2
13	04.9000.0.443	Bushing	1
14	04.9001.0.001	Roller	1
15	08.6850.6.000	Washer	1
16	08.6000.6.025	Screw	1
17	04.9001.0.050	Left Roller Assembly	1
18	08.6000.4.008	Screw	2
19	19.0005.0.017	Cover Pulley ●●●	1
20	19.0006.9.443	Electrical Box Assembly ☐	1
21	08.6532.8.050	Screw	6
22	19.0083.1.674	Cover Pulley	1
23	19.0005.0.016	Framework	1
24	19.0005.0.015	Framework	1
25	08.6852.8.000	Washer	12
26	08.6802.8.000	Spring Washer	12
27	08.6702.8.000	Nut	12
28	08.6722.8.000	Nut	2
29	See Page 3-67	Rubber Washer	—
30	12.0008.6.915	Holder	1
31	08.6312.8.040	Screw	4
32	17.0019.0.441	Washer	4
33	17.0095.1.272	Rubber Washer	8
34	19.0082.3.441	Cover Holder	(1)
35	08.6852.5.000	Washer	(2)
36	08.6012.4.006	Screw	2

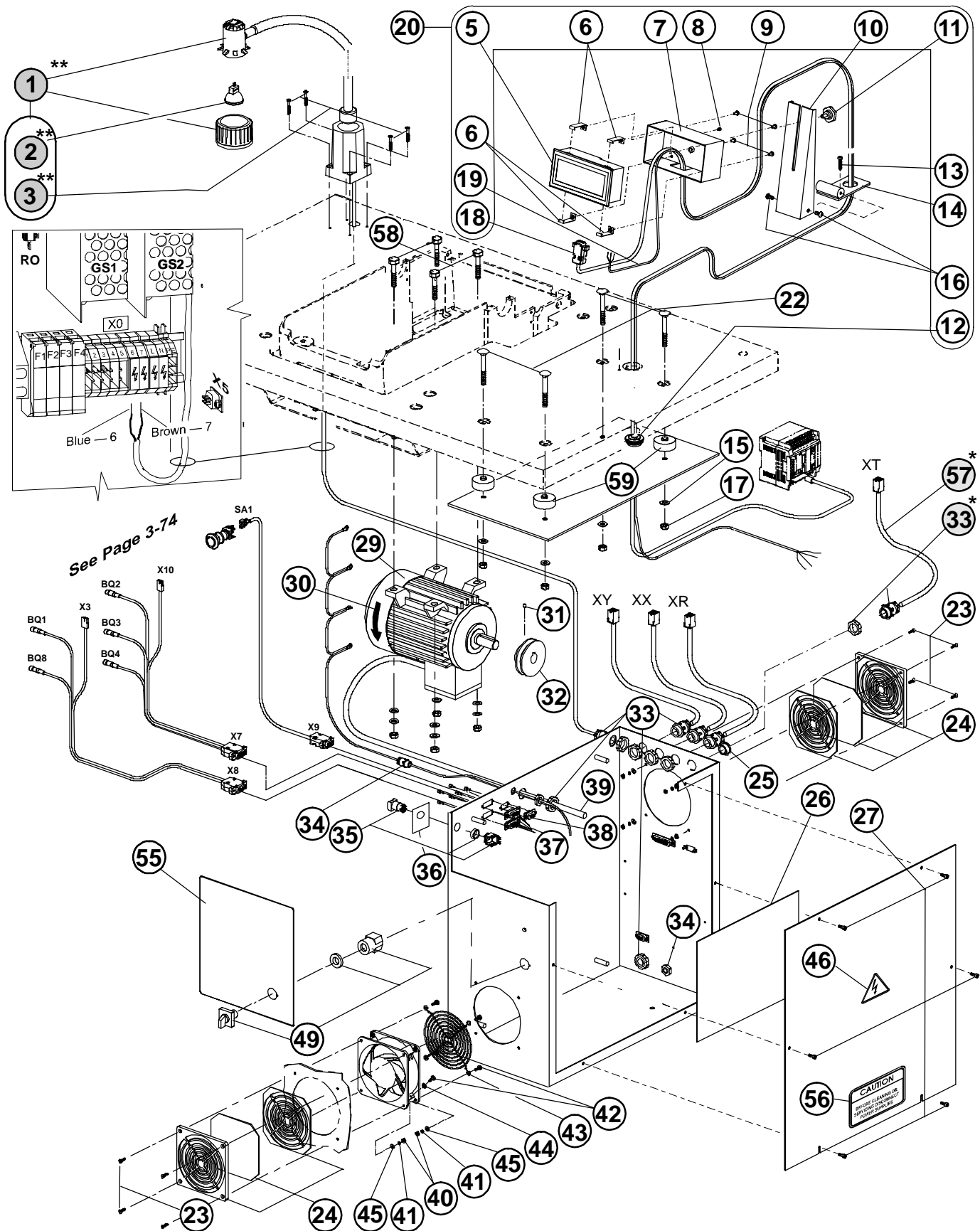
☐ Spare parte See Page 3-66  
3-70  
3-72

Revised 04/2004

E-mail: service@amfreece.cz; parts@amfreece.cz ; website: www.amfreece.com

Phones: +420 582 309 146 (Service), +420 582 309 286 (Spare Parts) ; Fax: +420 582 360 606

# CONTROL BOX - ELECTRONIC PARTS — I



Revised 04/2004

E-mail: [service@amfreece.cz](mailto:service@amfreece.cz); [parts@amfreece.cz](mailto:parts@amfreece.cz) ; website: [www.amfreece.com](http://www.amfreece.com)  
Phones: +420 582 309 146 (Service), +420 582 309 286 (Spare Parts) ; Fax: +420 582 360 606

**CONTROL BOX - ELECTRONIC PARTS — I**

DET	PART NUMBER	DESCRIPTION	QTY.
01**	12.0008.4.403	Halogen Lamp	1
02**	12.0008.4.679	Bulb	(1)
03**	—	Screw	(4)
04			
05	19.8001.0.005	Display	(1)
06	19.0005.0.012	Panel Holder Got	(4)
07	19.0005.0.011	Display Box	(1)
08	08.6000.3.005	Screw	(1)
09	08.6032.4.010	Screw	(4)
10	19.0083.7.002	Display Box Holder	(1)
11	24.4019.0.000	Screw	(1)
12	12.0008.4.366	Bushing	(1)
13	08.6663.5.025	Screw	(1)
14	19.0005.0.013	Panel Stand Base	(1)
15	08.6852.8.000	Washer	4
16	08.6200.6.010	Screw	(2)
17	08.6702.8.000	Nut	8
18	12.0008.4.821	Cable	1
19	19.0007.9.477	Cable	(1)
20	03.5519.0.003	Touch Screen Assembly	1
22	08.6532.8.070	Screw	4
23	08.6100.4.014	Screw	8
24	12.0008.4.761	Fan Cover With Filter	●●● 2
25	12.0008.4.777	Stopper	●●● 1
26	12.8000.0.030	Electrical Diagram Label	1
27	08.6032.4.012	Screw	6
28			
29	12.0008.4.757	Motor	1
30	17.0097.5.182	Label	1
31	08.6400.6.006	Screw	1
32	19.0052.0.501	Puley	●●● 1
33	12.0008.4.231	Bushing	●●● 6
33*	12.0008.4.231	Bushing*	●●● 1*
34	12.0008.4.207	Bushing	●●● 2
35	12.0008.4.613	Pushbutton (Green)	1
36	12.0008.4.615	Switch Unit (ZB6-E2B)	(1)
37	19.0007.9.470	Cable X7A + X8A	1
38	19.0007.9.471	Cable X9A	1
39	19.0007.9.008	Cable	1
40	08.6702.4.000	Nut	
41	08.6802.4.000	Washer	
42	08.6012.4.012	Screw	
43	12.0008.4.691	Fan Rack	1
44	08.6832.4.000	Washer	1
45	08.6852.4.000	Washer	
46	12.0008.4.155	Label	1
48	12.0008.4.695	Red Light	1
49	12.0008.4.716	Knob	1

\* Modification — ACL (Adjustable Cutting Length) See Page 3-76

\*\* — Extra Parts

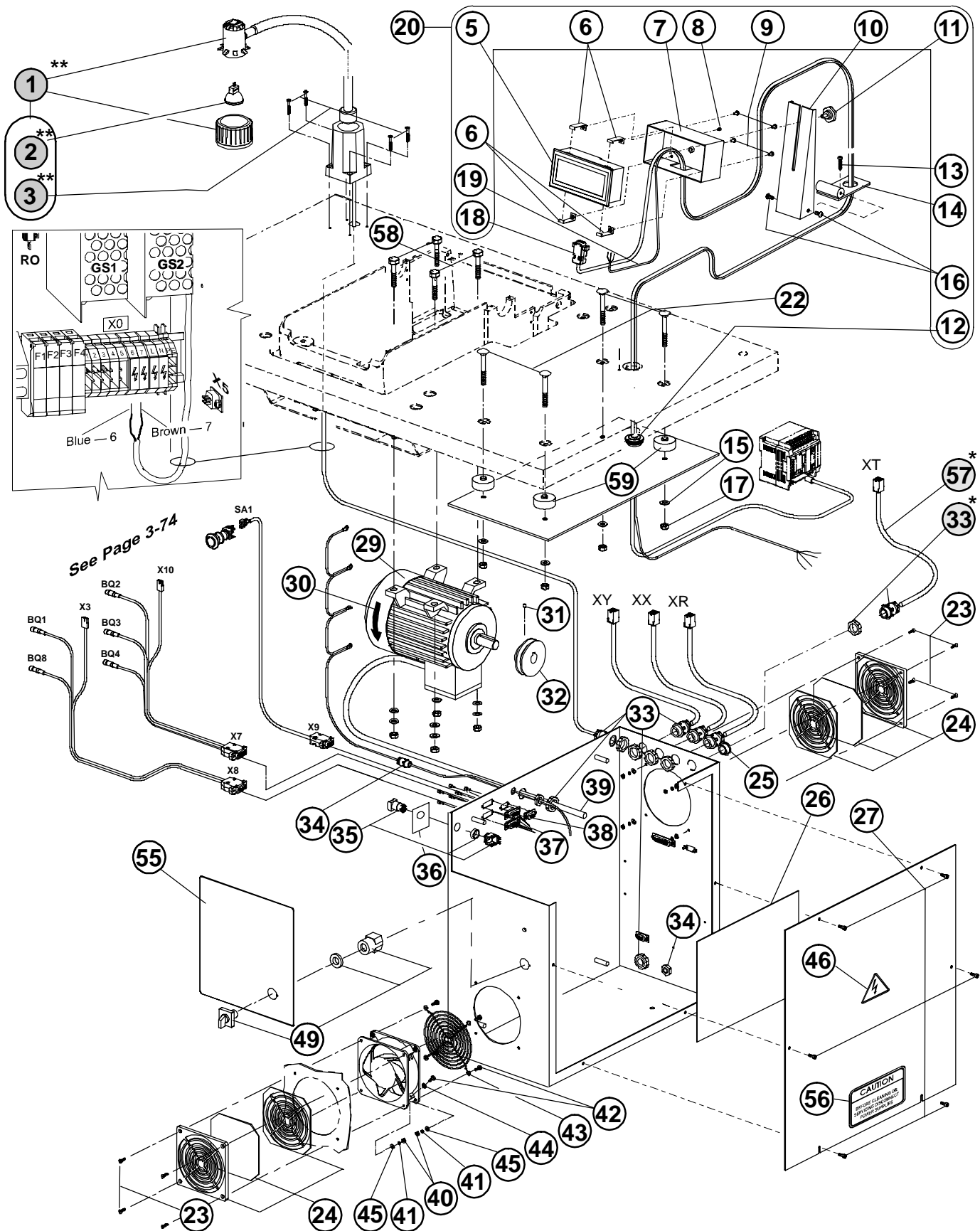
Revised 04 /2004

E-mail: [service@amfreece.cz](mailto:service@amfreece.cz); [parts@amfreece.cz](mailto:parts@amfreece.cz); website: [www.amfreece.com](http://www.amfreece.com)

Phones: +420 582 309 146 (Service), +420 582 309 286 (Spare Parts); Fax: +420 582 360 606



# CONTROL BOX - ELECTRONIC PARTS — I



See Page 3-74

Revised 04/2004

E-mail: [service@amfreece.cz](mailto:service@amfreece.cz); [parts@amfreece.cz](mailto:parts@amfreece.cz) ; website: [www.amfreece.com](http://www.amfreece.com)  
Phones: +420 582 309 146 (Service), +420 582 309 286 (Spare Parts) ; Fax: +420 582 360 606

## CONTROL BOX - ELECTRONIC PARTS — I



DET	PART NUMBER	DESCRIPTION	QTY.
50	12.0008.4.614	Bulb	1
51	12.0008.4.696	Led	1
52	12.0008.4.717	Block	1
53	12.0008.4.778	Cover	1
54	12.0008.4.698	Switch Unit Assembly (ZB6-E1B)	1
55	12.8000.0.423	Label	1
56	00.2751.3.602	Label "CAUTION"	1
57*	19.0007.9.011	Cable Motor * (T)	1*
58	See Page 3-64	Screw	—
59	19.0095.1.405	Rubber Washer	4

\* Modification — ACL (Adjustable Cutting Length) See Page 3-76

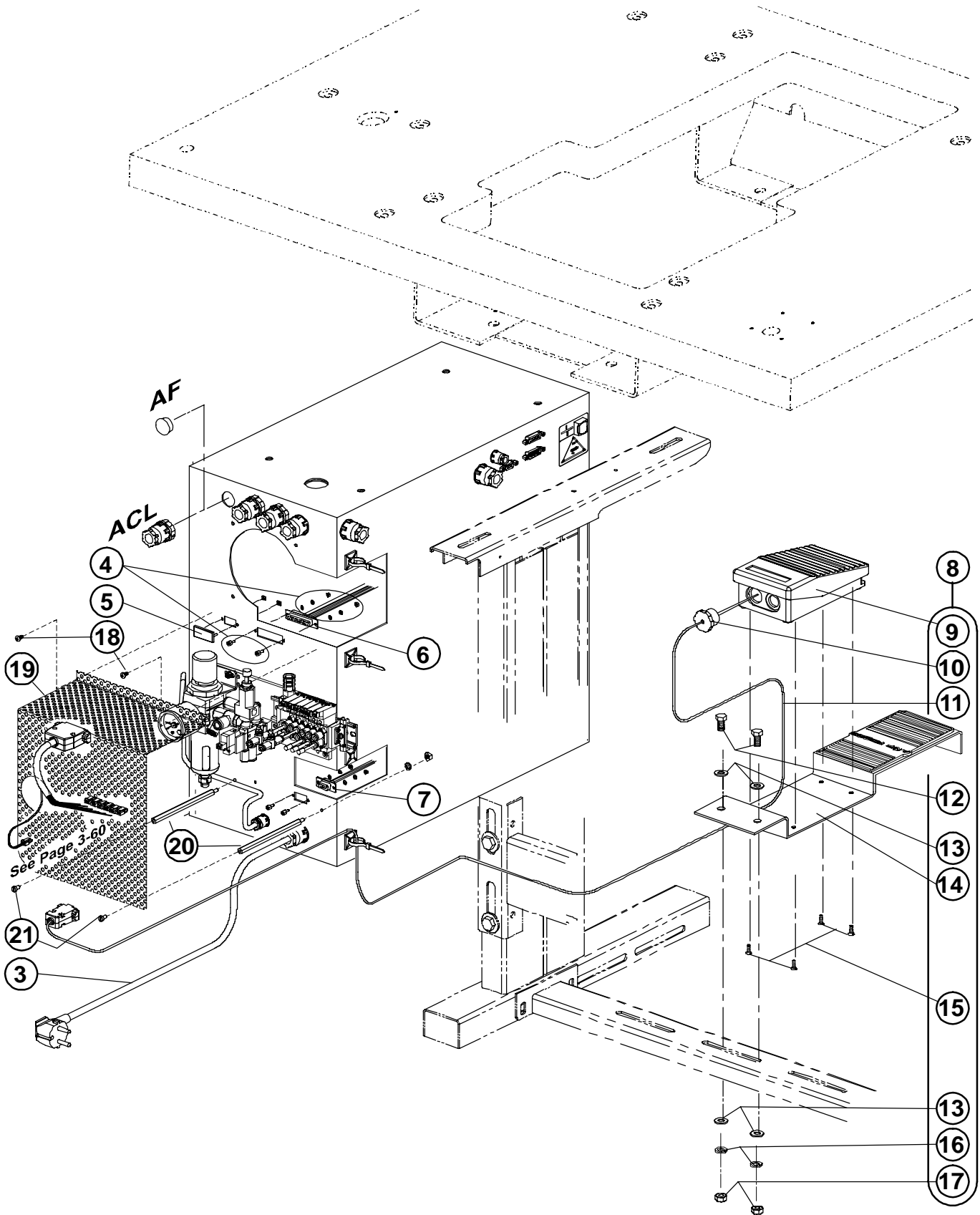
\*\* — Extra Parts

Revised 04 /2004

E-mail: [service@amfreece.cz](mailto:service@amfreece.cz); [parts@amfreece.cz](mailto:parts@amfreece.cz) ; website: [www.amfreece.com](http://www.amfreece.com)

Phones: +420 582 309 146 (Service), +420 582 309 286 (Spare Parts) ; Fax: +420 582 360 606

# CONTROL BOX - ELECTRONIC PARTS — II



Revised 04/2004

E-mail: [service@amfreece.cz](mailto:service@amfreece.cz); [parts@amfreece.cz](mailto:parts@amfreece.cz) ; website: [www.amfreece.com](http://www.amfreece.com)  
Phones: +420 582 309 146 (Service), +420 582 309 286 (Spare Parts) ; Fax: +420 582 360 606

## **CONTROL BOX - ELECTRONIC PARTS — II**

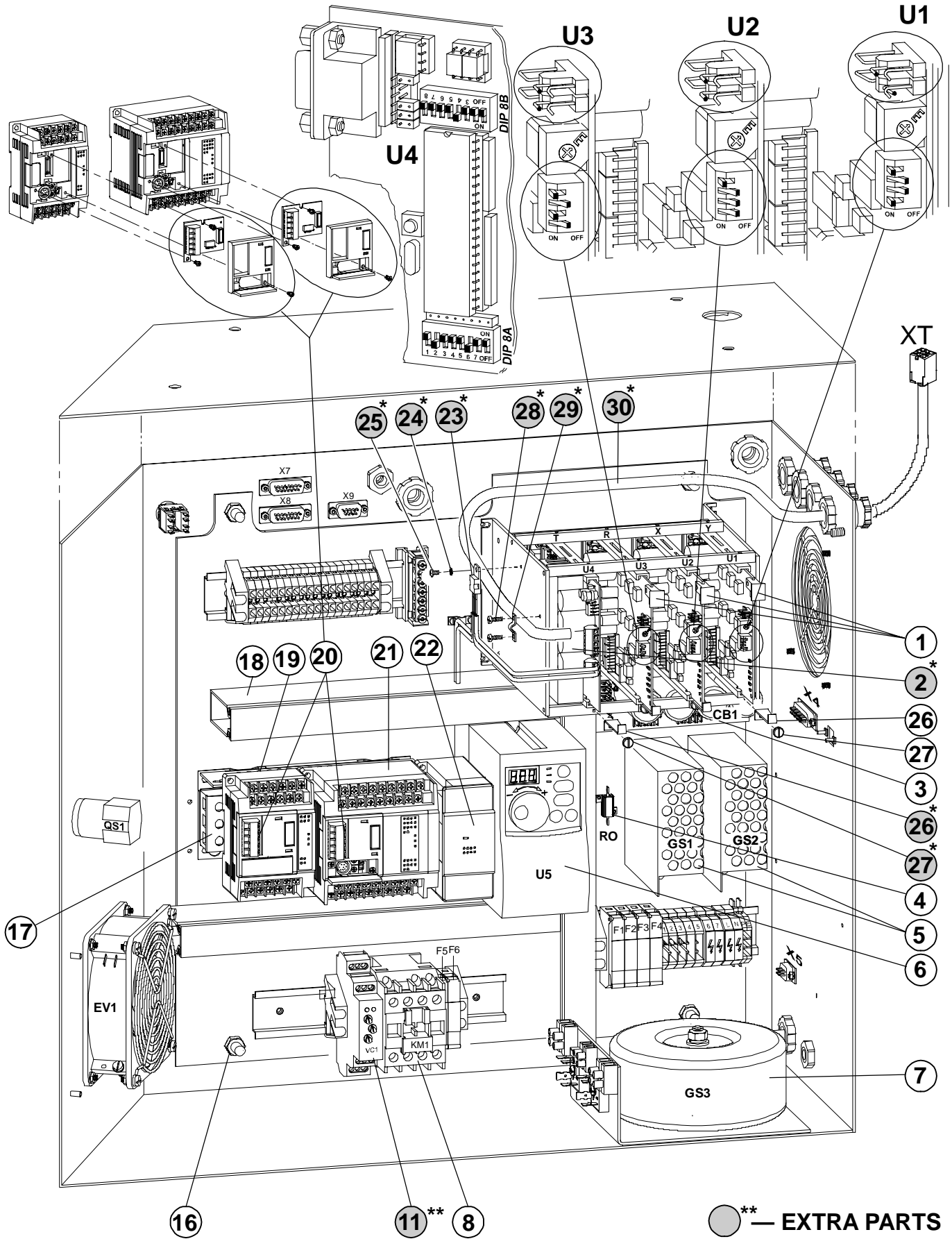
<b>DET</b>	<b>PART NUMBER</b>	<b>DESCRIPTION</b>	<b>QTY.</b>
03	12.0008.4.713	Cable	1
04	12.0008.4.710	Screw Kit	5
05	12.0008.4.758	Stopper	1
06	19.0007.9.475	Cable X4A	1
07	19.0007.9.476	Cable X5A	1
08	24.0059.9.058	Pedal Assembly	1
09	12.0008.4.204	Pedal <span style="float: right;">●●●</span>	(1)
10	12.0008.4.296	Bushing <span style="float: right;">●●●</span>	(1)
11	24.0059.9.068	Cable	(1)
12	08.6312.8.020	Screw	(2)
13	08.6852.8.000	Washer	(4)
14	24.0097.0.000	Holder Pedal	(1)
15	08.6100.4.012	Screw	(4)
16	08.6802.8.000	Spring Washer	(2)
17	08.6702.8.020	Screw	(2)
18	08.6662.4.010	Screw	2
19	19.0083.1.676	Cover	1
20	19.0014.6.408	Distance Nut	2
21	08.601.4.008	Screw	2

Revised 04 /2004

E-mail: [service@amfreece.cz](mailto:service@amfreece.cz); [parts@amfreece.cz](mailto:parts@amfreece.cz) ; website: [www.amfreece.com](http://www.amfreece.com)

Phones: +420 582 309 146 (Service), +420 582 309 286 (Spare Parts) ; Fax: +420 582 360 606

# CONTROL BOX - ELECTRONIC PARTS — III



Revised 04/2004

E-mail: [service@amfreece.cz](mailto:service@amfreece.cz); [parts@amfreece.cz](mailto:parts@amfreece.cz); website: [www.amfreece.com](http://www.amfreece.com)  
Phones: +420 582 309 146 (Service), +420 582 309 286 (Spare Parts); Fax: +420 582 360 606



**CONTROL BOX - ELECTRONIC PARTS — III**

DET	PART NUMBER	DESCRIPTION	QTY.
01	12.0008.4.754	Driver Motor (U1,U2, U3)	3
02*	12.0008.4.762	Driver Motor * (U4)	1*
03	19.0007.9.469	Capacitor Board (CB1)	1
04	19.0007.9.463	Rezistor (RO)	1
05	12.0008.4.709	Power Supply (GS1, GS2)	2
06	19.8001.0.006	Axis (U5)	1
07	12.0008.4.756	Power (GS3)	1
08	12.0008.4.488	Contactora (KM1, KM2)	2
09			
10			
11*	12.0008.4.690	Monitoring Overvoltage / Undevoltage Relc	1
12			
13			
14			
15			
16	08.6702.8.000	Nut	8
17	12.0008.4.751	Filter	1
18	See Page 3-64	Latch for Cable Kit	—
19	19.8001.0.003	FX1S-10MT-DSS	1
20	12.0008.4.749	Card RS485	2
21	19.8001.0.001	FX1N-24MT-DSS	1
22	12.0008.4.748	FX0N-8EYT-ESS/UL	1
23*	19.0007.9.468	Voltage Regulator Assembly *	1*
24*	08.6832.3.000	Washer *	1*
25*	08.6032.3.005	Screw *	1*
26	19.0082.3.423	Clip	3
26*	19.0082.3.423	Clip *	1*
27	08.6000.3.006	Screw	3
27*	08.6000.3.006	Screw *	1*
28*	08.6012.3.008	Screw *	2*
29*	24.0134.0.000	Clip *	1*
30*	See Page 3-66	Cable Motor * (T)	—

\* Modification — ACL (Adjustable Cutting Length) See Page 3-76

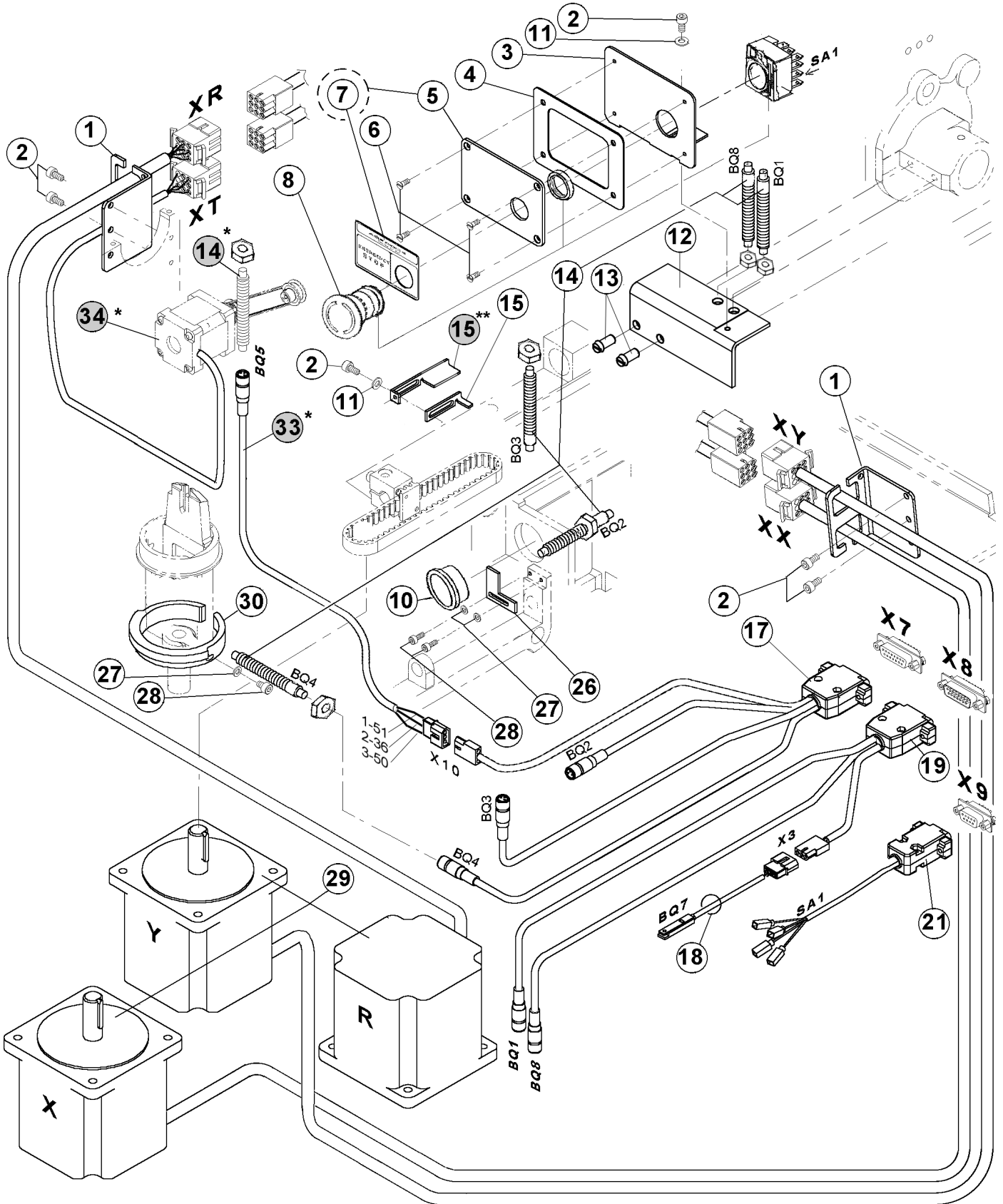
\*\* — Extra Parts

Revised 04 /2004

E-mail: [service@amfreece.cz](mailto:service@amfreece.cz); [parts@amfreece.cz](mailto:parts@amfreece.cz) ; website: [www.amfreece.com](http://www.amfreece.com)

Phones: +420 582 309 146 (Service), +420 582 309 286 (Spare Parts) ; Fax: +420 582 360 606

# ELECTRONIC PARTS



Revised 04/2004

E-mail: [service@amfreece.cz](mailto:service@amfreece.cz); [parts@amfreece.cz](mailto:parts@amfreece.cz) ; website: [www.amfreece.com](http://www.amfreece.com)  
Phones: +420 582 309 146 (Service), +420 582 309 286 (Spare Parts) ; Fax: +420 582 360 606

**ELECTRONIC PARTS**

DET	PART NUMBER	DESCRIPTION	QTY.
01	19.0082.3.433	Holder	2
02	08.6000.4.008	Screw	6
03	19.0081.6.402	Holder Panel	1
04	19.0094.0.404	Rubber Packing	1
05	19.0081.6.403	Panel	1
06	08.6102.3.008	Screw	4
07	12.8000.0.401	Label Panel	(1)
08	12.0008.4.563	Emergency Stop Switch	(1)
09			
10	12.0008.4.465	Blind	1
11	08.6850.4.000	Washer	2
12	19.0082.3.445	Holder	1
13	17.0012.0.347	Screw M6x0,75-12	2
14	12.0008.3.244	Sensor	5
14*	12.0008.3.244	Sensor (ACL)*	1*
15	19.0082.3.404	Sensor Plate	1
15**	19.0082.3.432	Sensor Plate **	1**
17	19.0007.9.465	Cable Assembly X7	1
18	19.0007.9.464	Sensor Assembly BQ7	1
19	19.0007.9.466	Cable Assembly X8	1
20			
21	19.0007.9.478	Cable Assembly X9	1
22			
23			
24			
25			
26	19.0081.5.418	Sensor Plate	1
27	08.6850.3.000	Washer	4
28	08.6000.3.008	Screw	4
29	19.0007.9.462	Stepping Motor	3
30	19.0067.2.408	Sensor Ring	1
31			
32			
33*	19.0007.9.472	Cable Sensor Assembly BQ5 (ACL)*	1*
34*	19.0007.9.461	Stepping Motor T (ACL)*	1*
35			

\* Modification — ACL (Adjustable Cutting Length) See Page 3-76

\*\* Modification — ST (Short Travel) See Page 3-78

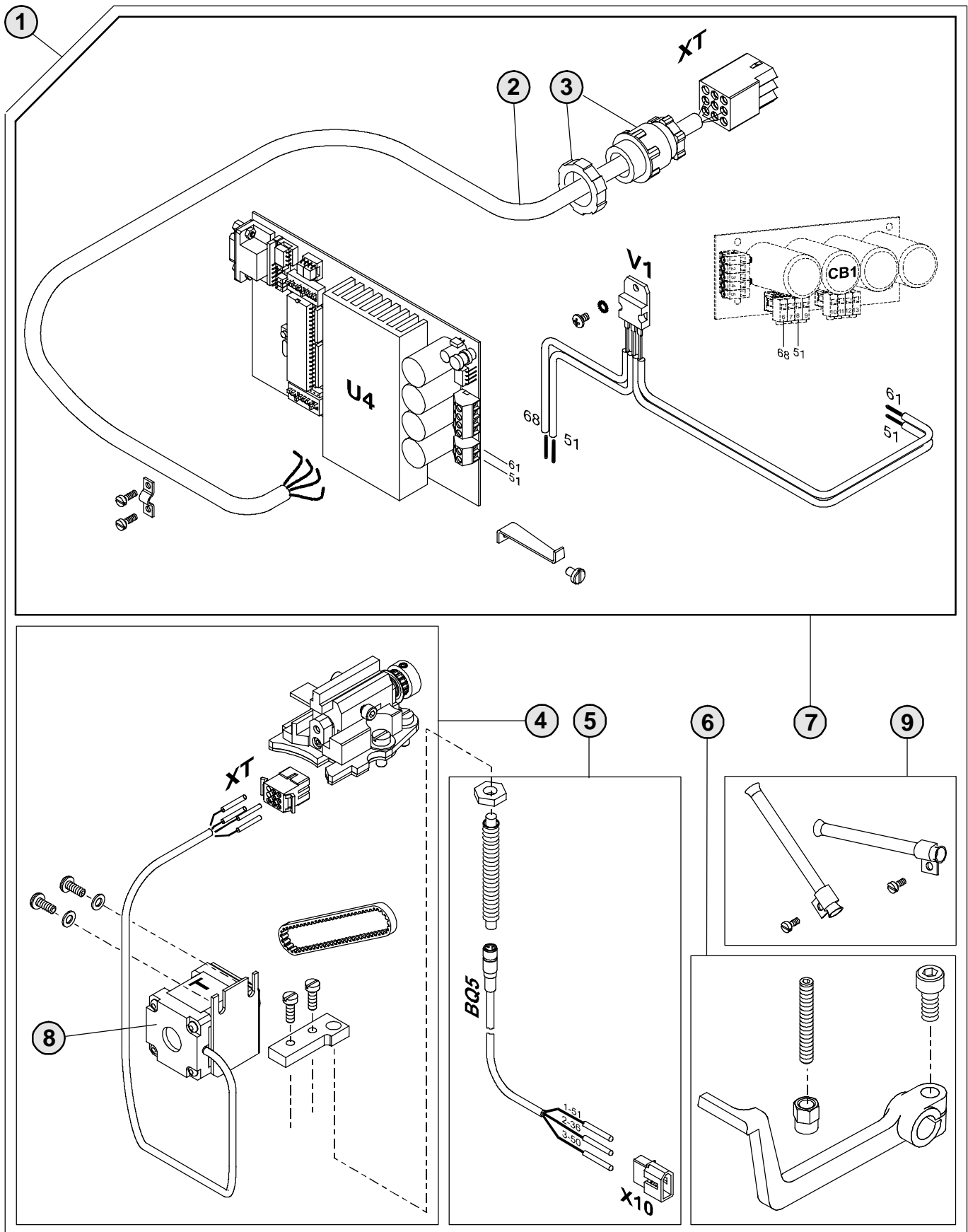
t — Motor connector coding								
Colours		Black or Green	Yellow	White	Blue	Red	Orange	Brown
	Axis X XX	8	1	2	5	6	7	—
	Axis Y XY	9	1	3	4	6	7	—
	Axis R XR	9	2	3	4	5	8	—
	Axis T XT	7	3	9	—	—	—	1

Revised 04 /2004

E-mail: [service@amfreece.cz](mailto:service@amfreece.cz); [parts@amfreece.cz](mailto:parts@amfreece.cz); website: [www.amfreece.com](http://www.amfreece.com)

Phones: +420 582 309 146 (Service), +420 582 309 286 (Spare Parts); Fax: +420 582 360 606

# ADJUSTABLE CUTTING LENGTH KIT

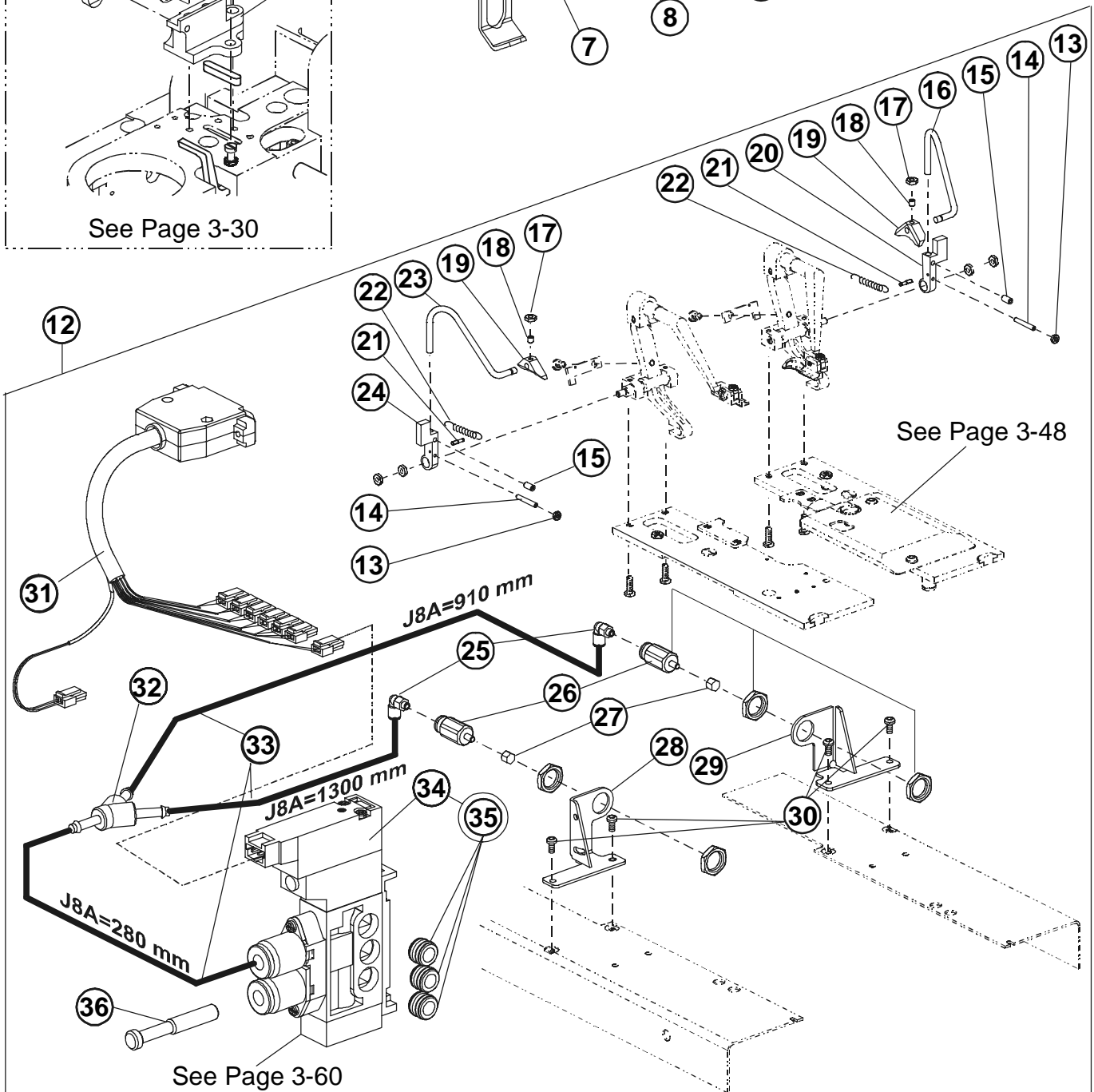
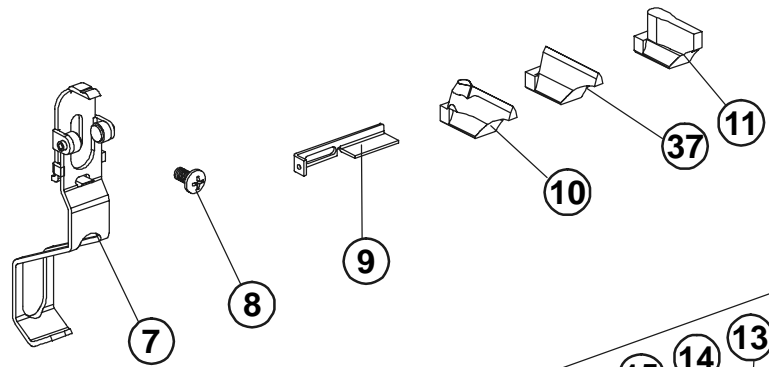
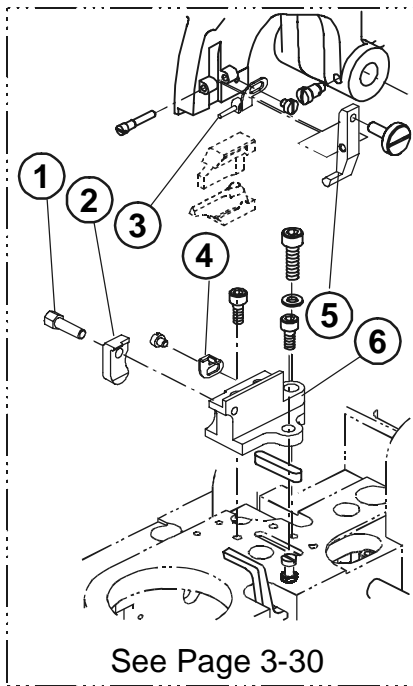


Revised 04/2004

E-mail: [service@amfreece.cz](mailto:service@amfreece.cz); [parts@amfreece.cz](mailto:parts@amfreece.cz) ; website: [www.amfreece.com](http://www.amfreece.com)  
Phones: +420 582 309 146 (Service), +420 582 309 286 (Spare Parts) ; Fax: +420 582 360 606



# SHORT TRAVEL KIT



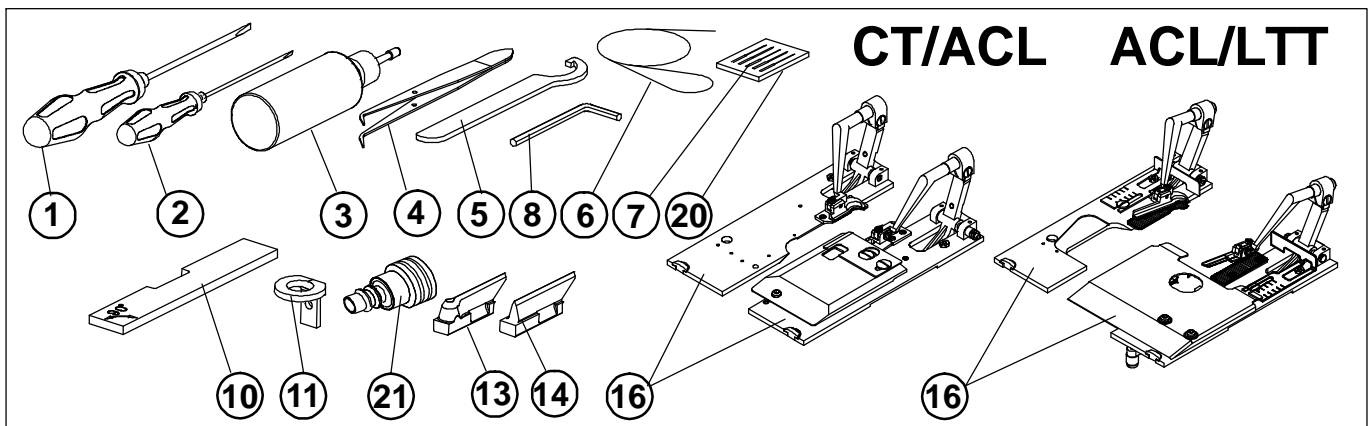
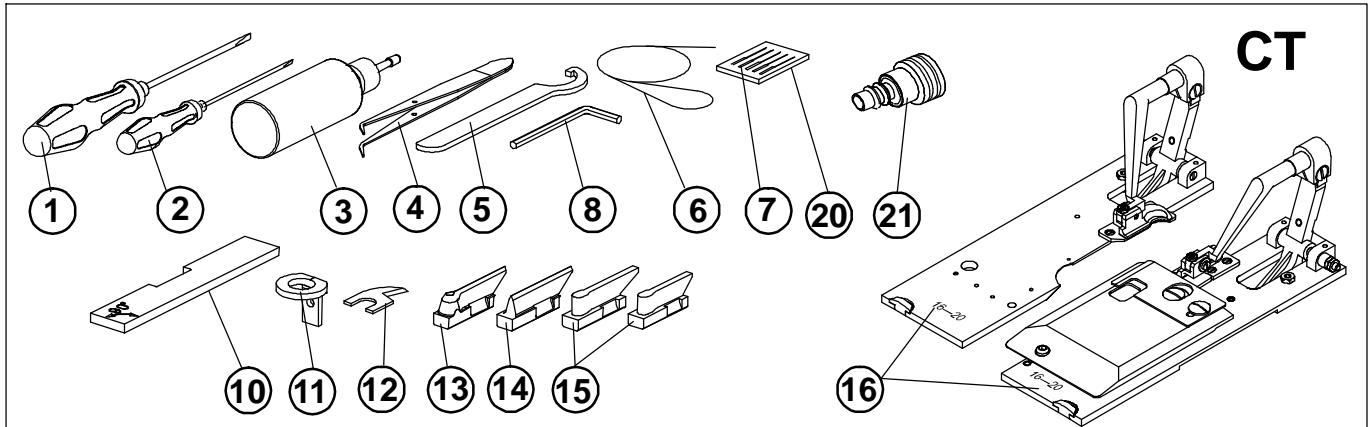
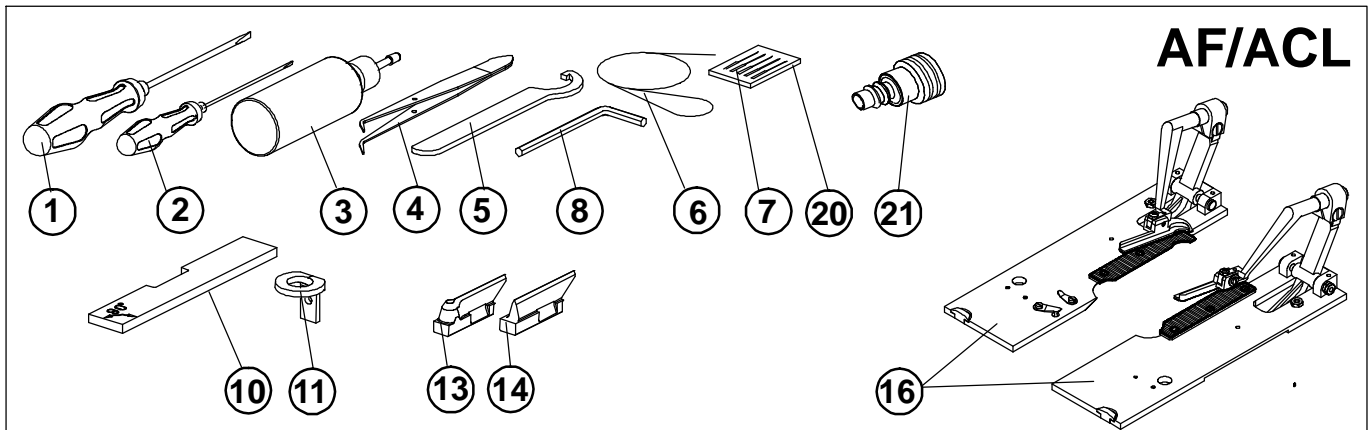
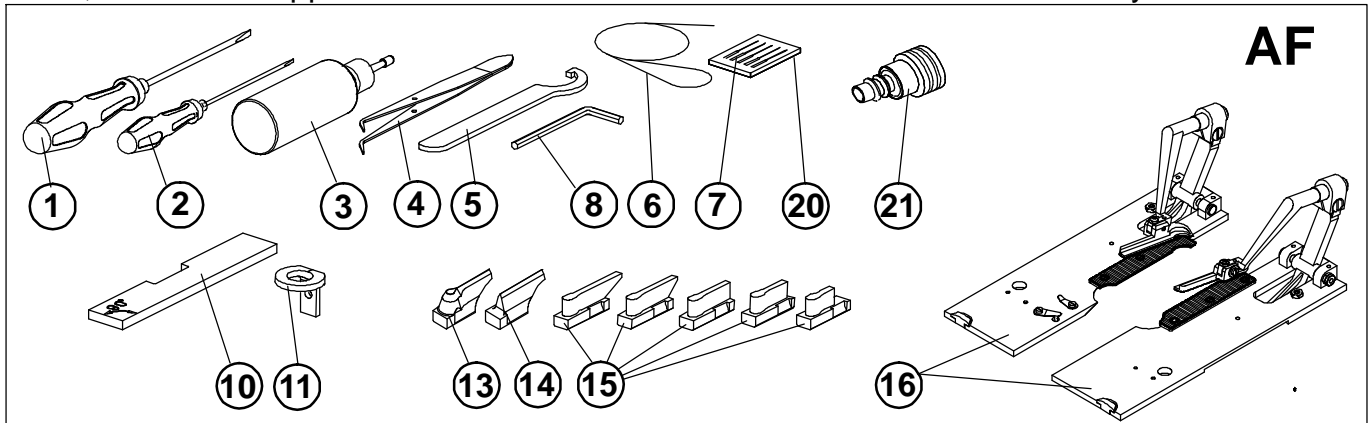
Revised 04/2004

E-mail: [service@amfreece.cz](mailto:service@amfreece.cz); [parts@amfreece.cz](mailto:parts@amfreece.cz) ; website: [www.amfreece.com](http://www.amfreece.com)  
Phones: +420 582 309 146 (Service), +420 582 309 286 (Spare Parts) ; Fax: +420 582 360 606



# TOOLS/ACCESSORIES

Parts, which are supplied with the machine and are included in the accessory list.



Revised 04/2004

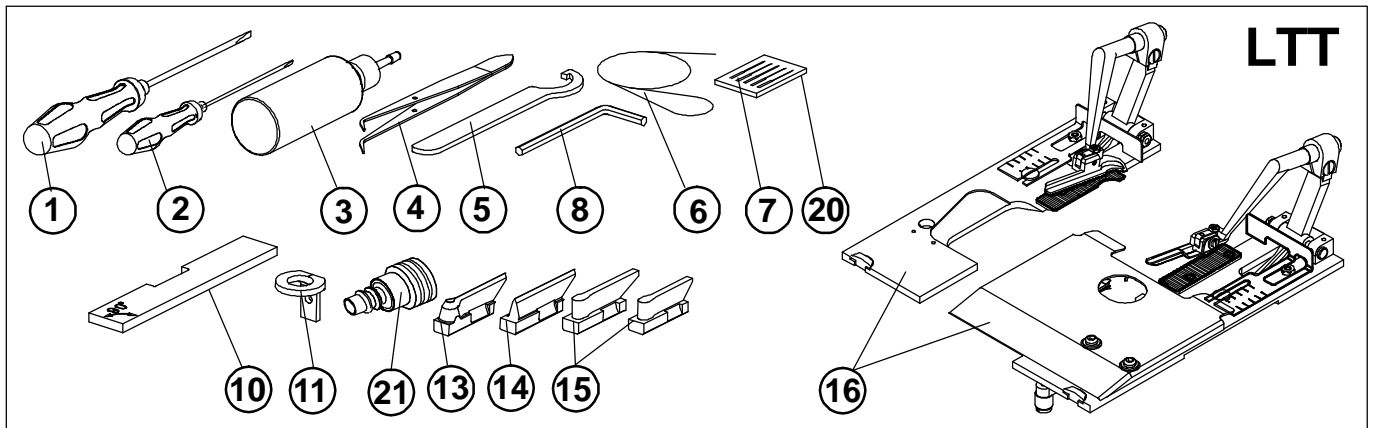
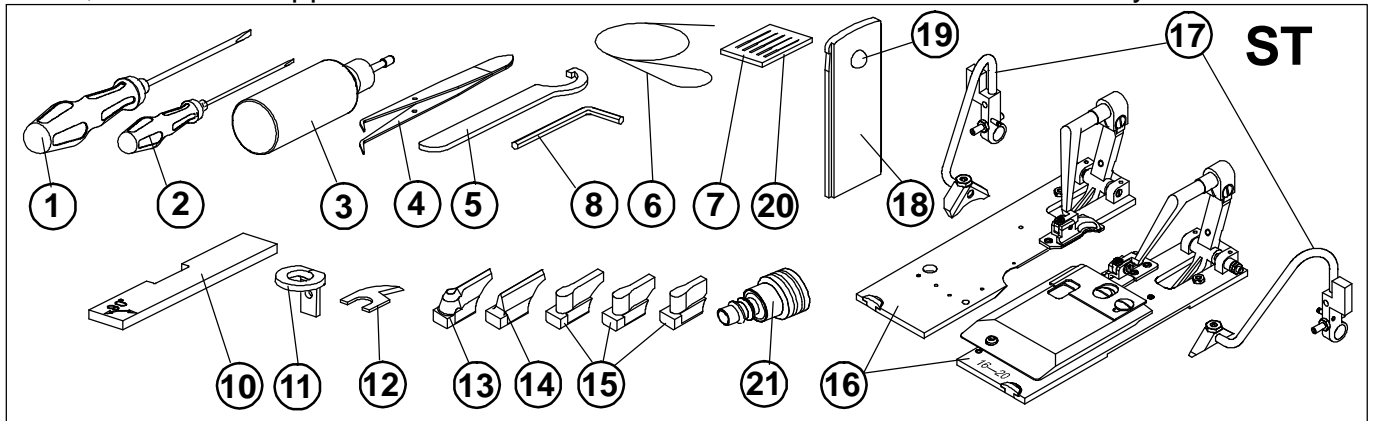
E-mail: [service@amfreece.cz](mailto:service@amfreece.cz); [parts@amfreece.cz](mailto:parts@amfreece.cz) ; website: [www.amfreece.com](http://www.amfreece.com)

Phones: +420 582 309 146 (Service), +420 582 309 286 (Spare Parts) ; Fax: +420 582 360 606



## TOOLS/ACCESSORIES

Parts, which are supplied with the machine and are included in the accessory list.



DET	PART NUMBER	DESCRIPTION	QTY.
01	12.0008.6.005	Screwdriver 5,5-180	1
02	12.0008.6.001	Screwdriver RECA	1
03	05.1322.0.000	Oil Can	••• 1
04	12.0008.6.215	Tweezers	1
05	12.0008.6.114	Wrench	1
06	17.0027.1.223	Thread Wire	1
07	02.0501.1.111	Needles 1807D-100	5
08	12.0008.6.117	Allen Key Wrench 1,3	1
09			
10	19.0081.6.409	Timing Gauge	1
11	19.0064.7.420	Timing Gauge	1
12	19.0087.0.420	Knife	1
13	See Table Below	Eye Knife 3/5 CB	—
14	See Table Below	No Eye Knife	—
15	See Table Below	Cutting Steel	—
16	See Table Below	Clamping	—
17	See Page 3-67	Short Travel Kit	—
18	See Table Below	Plastic Guard Cover	1
19	See Table Below	Holder	1
20	12.0008.6.968	Box Needle Short	1
21	12.0008.3.608	Connector Dia 10	1

Revised 04/2004

E-mail: [service@amfreece.cz](mailto:service@amfreece.cz); [parts@amfreece.cz](mailto:parts@amfreece.cz) ; website: [www.amfreece.com](http://www.amfreece.com)

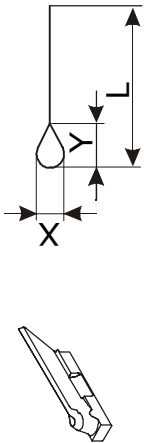
Phones: +420 582 309 146 (Service), +420 582 309 286 (Spare Parts) ; Fax: +420 582 360 606



**TOOLS/ACCESSORIES/EXTRA PARTS — TABLES**

Parts, which are supplied with the machine and are included in the accessory list.

Modification		Eye Knife X x Y — L									
AF											19.0087.0.401 (2,2x3,0—50)
AF/ACL											19.0087.0.431 (2,2x3,0—38)
CT 16—20											
CT 20—24											
CT 24—28											
CT 28—32											
CT 16—32											
CT 16—20/ACL											
CT 20—24/ACL											
CT 24—28/ACL											
CT 28—32/ACL											
CT 16—32/ACL											
CT/ST 16—20											
CT/ST 20—24											
LTT											
ACL/LTT											



**Extra Parts**

Revised 04/2004

E-mail: [service@amfreece.cz](mailto:service@amfreece.cz); [parts@amfreece.cz](mailto:parts@amfreece.cz); website: [www.amfreece.com](http://www.amfreece.com)

Phones: +420 582 309 146 (Service), +420 582 309 286 (Spare Parts); Fax: +420 582 360 606

**TOOLS/ACCESSORIES/EXTRA PARTS — TABLES**

Parts, which are supplied with the machine and are included in the accessory list.

Modification	14						15					
	No Eye Knife X x Y — L						Cutting Steel					
AF							19.0064.5.862	19.0064.5.860	19.0064.5.858	19.0064.5.857	19.0064.5.856	19.0064.5.855
AF/ACL												
CT 16—20												
CT 20—24												
CT 24—28												
CT 28—32												
CT 16—32												
CT 16—20/ACL												
CT 20—24/ACL												
CT 24—28/ACL												
CT 28—32/ACL												
CT 16—32/ACL												
CT/ST 16—20												
CT/ST 20—24												
LTT												
ACL/LTT												

**Extra Parts**

Revised 04 /2004

E-mail: service@amfreece.cz; parts@amfreece.cz ; website: www.amfreece.com

Phones: +420 582 309 146 (Service), +420 582 309 286 (Spare Parts) ; Fax: +420 582 360 606



**TOOLS/ACCESSORIES/EXTRA PARTS — TABLES**

Parts, which are supplied with the machine and are included in the accessory list.

Modification		Detail									
		15									
		Cutting Steel 26	Cutting Steel 24	Cutting Steel 22	Cutting Steel 20	Cutting Steel 19	Cutting Steel 18	Cutting Steel 16	Cutting Steel 14	Cutting Steel 13	Cutting Steel 12
AF		19.0064.5.854	19.0064.5.853	19.0064.5.852	19.0064.5.851	19.0064.5.952	17.0064.5.850	19.0064.5.849	19.0064.5.848	19.0064.5.951	19.0064.5.847
AF/ACL		—	—	—	—	—	—	—	—	—	—
CT 16—20		—	—	—	19.0064.5.851	19.0064.5.952	17.0064.5.850	19.0064.5.849	—	—	—
CT 20—24		—	19.0064.5.853	19.0064.5.852	19.0064.5.851	—	—	—	—	—	—
CT 24—28		19.0064.5.854	19.0064.5.853	—	—	—	—	—	—	—	—
CT 28—32		—	—	—	—	—	—	—	—	—	—
CT 16—32		19.0064.5.854	19.0064.5.853	19.0064.5.852	19.0064.5.851	19.0064.5.952	17.0064.5.850	19.0064.5.849	—	—	—
CT 16—20/ACL		—	—	—	—	—	—	—	—	—	—
CT 20—24/ACL		—	—	—	—	—	—	—	—	—	—
CT 24—28/ACL		—	—	—	—	—	—	—	—	—	—
CT 28—32/ACL		—	—	—	—	—	—	—	—	—	—
CT 16—32/ACL		—	—	—	—	—	—	—	—	—	—
CT/ST 16—20		—	—	—	—	19.0064.5.956	—	19.0064.5.955	—	—	—
CT/ST 20—24		—	—	19.0064.5.957	—	—	—	—	—	—	—
LTT		19.0064.5.854	19.0064.5.853	19.0064.5.852	19.0064.5.851	—	17.0064.5.850	19.0064.5.849	—	—	—
ACL/LTT		—	—	—	—	—	—	—	—	—	—


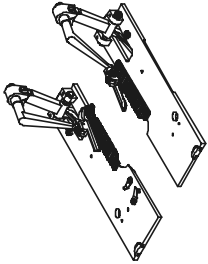
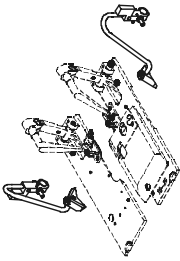

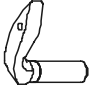

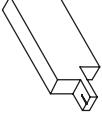
**Extra Parts**

Revised 04/2004

E-mail: [service@amfreece.cz](mailto:service@amfreece.cz); [parts@amfreece.cz](mailto:parts@amfreece.cz) ; website: [www.amfreece.com](http://www.amfreece.com)

Phones: +420 582 309 146 (Service), +420 582 309 286 (Spare Parts) ; Fax: +420 582 360 606

**TOOLS/ACCESSORIES/EXTRA PARTS — TABLES**

Modification	Detail			
	15	16	17	18
	 Cutting Steel 10 19.0064.5.846	 Clamping See Page 3-49	 Clamp Arm Assembly —	 Plastic Guard Cover See Page 3-59
				 Eye Looper 0,5 17.0069.4.019
				 Holder See Page 3-59
				 Timing Gauge 19.0064.6.469
AF				
AF/ACL				
CT 16—20		19.0003.1.651		
CT 20—24		19.0003.1.652		
CT 24—28		19.0003.1.653		
CT 28—32		19.0003.1.654		
CT 16—32		19.0003.1.651—4	03.5519.0.009 See Page 3-81	
CT 16—20/ACL		19.0003.1.651		
CT 20—24/ACL		19.0003.1.652		
CT 24—28/ACL		19.0003.1.653		
CT 28—32/ACL		19.0003.1.654		
CT 16—32/ACL		19.0003.1.651—4		
CT/ST 16—20		19.0003.1.651		
CT/ST 20—24		19.0003.1.652	See Page 3-81	18.0094.5.400 12.0008.6.915
LTT				
ACL/LTT		See Page 3-73		

**Extra Parts**

Revised 04 /2004

E-mail: [service@amfreece.cz](mailto:service@amfreece.cz); [parts@amfreece.cz](mailto:parts@amfreece.cz); website: [www.amfreece.com](http://www.amfreece.com)

Phones: +420 582 309 146 (Service), +420 582 309 286 (Spare Parts); Fax: +420 582 360 606



**TOOLS/ACCESSORIES/EXTRA PARTS — TABLES**



Modification	max. bite 2,8		max. bite 3,6		max. bite 4,2		max. bite 4,2		max. bite 2,8		max. bite 4,2		C x D—L	
	Throat Plate AF		Throat Plate AF		Throat Plate CT		Throat Plate LTT		Throat Plate CT		Throat Plate LTT		Clamp Feet CT L,H—R,H	
AF	10.4012.1.001	10.4012.0.002	10.4012.2.004	—	—	—	—	—	18.0066.7.414 — 5 (1,4 x 5,5 — 20)	17.0066.7.177 — 8 (2,5 x 5,0 — 22)	19.0066.7.416 — 7 (2,9 x 5,6 — 24)	—	—	—
AF/ACL	—	—	—	—	—	—	—	—	—	—	—	—	—	—
CT 16—20	—	—	—	—	—	—	—	—	—	—	—	—	—	—
CT 20—24	—	—	—	—	—	—	—	—	—	—	—	—	—	—
CT 24—28	—	—	—	—	—	—	—	—	—	—	—	—	—	—
CT 28—32	—	—	—	—	—	—	—	—	—	—	—	—	—	—
CT 16—32	—	—	—	—	—	—	—	—	—	—	—	—	—	—
CT 16—20/ACL	—	—	—	—	—	—	—	—	—	—	—	—	—	—
CT 20—24/ACL	—	—	—	—	—	—	—	—	—	—	—	—	—	—
CT 24—28/ACL	—	—	—	—	—	—	—	—	—	—	—	—	—	—
CT 28—32/ACL	—	—	—	—	—	—	—	—	—	—	—	—	—	—
CT 16—32/ACL	—	—	—	—	—	—	—	—	—	—	—	—	—	—
CT/ST 16—20	—	—	—	—	—	—	—	—	—	—	—	—	—	—
CT/ST 20—24	—	—	—	—	—	—	—	—	—	—	—	—	—	—
LTT	—	—	—	—	—	—	—	—	—	—	—	—	—	—
ACL/LTT	—	—	—	—	—	—	—	—	18.0066.7.414 — 5 (1,4 x 5,5 — 20)	17.0066.7.177 — 8 (2,5 x 5,0 — 22)	19.0066.7.416 — 7 (2,9 x 5,6 — 24)	—	—	—

**Extra Parts**

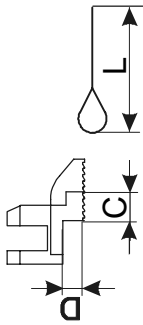
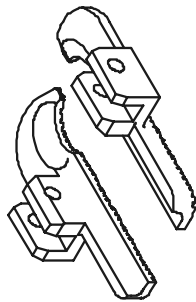
Revised 04/2004

E-mail: [service@amfreece.cz](mailto:service@amfreece.cz); [parts@amfreece.cz](mailto:parts@amfreece.cz); website: [www.amfreece.com](http://www.amfreece.com)

Phones: +420 582 309 146 (Service), +420 582 309 286 (Spare Parts); Fax: +420 582 360 606

**TOOLS/ACCESSORIES/EXTRA PARTS — TABLES**

Modification	Clamp Feet CT						Clamp Feet AF		L.H—R.H
	17.0066.7.175—6 (2,5 x 4,2—25)	18.0066.7.412—3 (1,4 x 5,6—28)	18.0066.7.410—1 (2,9 x 5,6—28)	19.0066.7.418—9 (2,9 x 5,6—32)	19.0066.7.420—1 (2,9 x 5,6—36)	18.0066.7.404—5 (5,8 x 5,5—32)	18.0066.7.408—9 (1,4 x 5,5—32)		
CT 16—20	—	—	—	—	—	—	—	—	
CT 20—24	—	—	—	—	—	—	—	—	
CT 24—28	17.0066.7.175—6 (2,5 x 4,2—25)	18.0066.7.412—3 (1,4 x 5,6—28)	18.0066.7.410—1 (2,9 x 5,6—28)	—	—	—	—	—	
CT 28—32	—	—	—	19.0066.7.418—9 (2,9 x 5,6—32)	19.0066.7.420—1 (2,9 x 5,6—36)	18.0066.7.404—5 (5,8 x 5,5—32)	—	—	
CT 16—32	—	—	—	—	—	—	—	—	
CT 16—20/ACL	—	—	—	—	—	—	—	—	
CT 20—24/ACL	—	—	—	—	—	—	—	—	
CT 24—28/ACL	17.0066.7.175—6 (2,5 x 4,2—25)	—	—	—	—	—	—	—	
CT 28—32/ACL	—	18.0066.7.412—3 (1,4 x 5,6—28)	18.0066.7.410—1 (2,9 x 5,6—28)	—	—	—	—	—	
CT 16—32/ACL	—	—	—	19.0066.7.418—9 (2,9 x 5,6—32)	19.0066.7.420—1 (2,9 x 5,6—36)	18.0066.7.404—5 (5,8 x 5,5—32)	18.0066.7.408—9 (1,4 x 5,5—32)	—	
CT/ST 16—20	—	—	—	—	—	—	—	—	
CT/ST 20—24	—	—	—	—	—	—	—	—	
LTT	17.0066.7.175—6 (2,5 x 4,2—25)	18.0066.7.412—3 (1,4 x 5,6—28)	18.0066.7.410—1 (2,9 x 5,6—28)	19.0066.7.418—9 (2,9 x 5,6—32)	19.0066.7.420—1 (2,9 x 5,6—36)	18.0066.7.404—5 (5,8 x 5,5—32)	18.0066.7.408—9 (1,4 x 5,5—32)	—	
ACL/LTT	—	—	—	—	—	—	—	—	



C x D—L

**Extra Parts**

Revised 04 /2004

E-mail: [service@amfreece.cz](mailto:service@amfreece.cz); [parts@amfreece.cz](mailto:parts@amfreece.cz); website: [www.amfreece.com](http://www.amfreece.com)

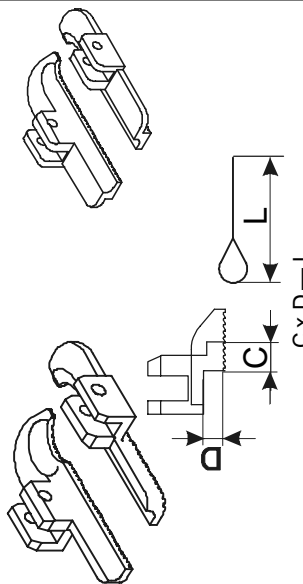
Phones: +420 582 309 146 (Service), +420 582 309 286 (Spare Parts); Fax: +420 582 360 606



**TOOLS/ACCESSORIES/EXTRA PARTS — TABLES**



Modification	Clamp Feet AF		Clamp Feet No Eye	
	LH — 8 ( 6,6 x 2,5 — 40 )	RH — 3 ( 6,5 x 2,5 — 52 )	LH — 2 ( 6,5 x 2,5 — 40 )	RH — 2 ( 6,5 x 2,5 — 40 )
AF	17.0066.7.157	19.0066.7.402	17.0066.7.151	17.0066.7.151
AF/ACL				
CT 16—20				
CT 20—24				
CT 24—28				
CT 28—32				
CT 16—32				
CT 16—20/ACL				
CT 20—24/ACL				
CT 24—28/ACL				
CT 28—32/ACL				
CT 16—32/ACL				
CT/ST 16—20				
CT/ST 20—24				
LTT				
ACL/LTT				



**Extra Parts**

Revised 04/2004

E-mail: [service@amfreece.cz](mailto:service@amfreece.cz); [parts@amfreece.cz](mailto:parts@amfreece.cz) ; website: [www.amfreece.com](http://www.amfreece.com)

Phones: +420 582 309 146 (Service), +420 582 309 286 (Spare Parts) ; Fax: +420 582 360 606



**INDEX**

PART NUMBER	PAGE	DET	QTY	PART NUMBER	PAGE	DET	QTY	PART NUMBER	PAGE	DET	QTY
<b>00.2751.3.602</b>				<b>08.6000.4.008</b>				<b>08.6000.6.025</b>			
00.2751.3.602	3-67	56	1	08.6000.4.008	3-65	18	2	08.6000.6.025	3-65	16	1
01.2056.0.000	3-17	14	1	08.6000.4.008	3-31	32*	1*	08.6000.6.030	3-59	43	1
01.2056.0.000	3-21	14	1	08.6000.4.010	3-15	20	2	08.6000.8.018	3-37	1	4
01.5062.0.000	3-49	22	1	08.6000.4.010	3-26	01	4	08.6000.8.025	3-59	39	2
02.0501.1.111	3-11	24	1	08.6000.4.010	3-37	27	2	08.6000.8.050	3-39	30	4
02.0501.1.111	3-81	7	5	08.6000.4.010	3-39	01	4	08.6010.2.004	3-53	22	(2)
03.5519.0.003	3-67	20	1	08.6000.4.010	3-57	16	3	08.6010.3.005	3-21	98	1
03.5519.0.009	3-79	12*	1	08.6000.4.010	3-59	20	2	08.6010.3.006	3-17	10	3
03.5519.0.009	3-84	17		08.6000.4.012	3-37	46	(2)	08.6010.3.006	3-21	10	3
03.5519.0.011	3-77	1	1	08.6000.4.012	3-41	32	6	08.6010.3.006	3-37	10*	2*
04.1416.0.003	3-65	2	1	08.6000.4.012	3-57	04	3	08.6010.3.006	3-61	15	4
04.9000.0.443	3-65	13	1	08.6000.4.014	3-37	19	2	08.6010.3.006	3-21	90	2
04.9000.0.444	3-65	9	1	08.6000.4.014	3-41	29	4	08.6010.4.006	3-31	62*	1*
04.9000.2.123	3-65	8	1	08.6000.4.014	3-53	68	(1)	08.6010.4.008	3-71	21	2
04.9001.0.001	3-65	14	1	08.6000.4.014	3-59	12	2	08.6010.4.010	3-13	26	2
04.9001.0.050	3-65	17	1	08.6000.4.014	3-57	32	1	08.6010.4.012	3-11	1	3
05.1322.0.000	3-81	3	1	08.6000.4.015	3-63	05	2	08.6010.4.012	3-17	17	2
				08.6000.4.016	3-15	01	1	08.6010.4.012	3-21	17	2
				08.6000.4.016	3-39	24	(1)	08.6010.4.012	3-45	18	2
<b>07.0000.0.024</b>				08.6000.4.016	3-57	06	2	08.6010.4.012	3-47	20	4
07.0000.0.024	3-41	2	2	08.6000.4.016	3-31	36*	1*	08.6010.4.012	3-31	51*	2*
07.0000.0.024	3-41	55	1	08.6000.4.020	3-9	04	1	08.6010.4.012	3-49	49	4
07.0000.0.024	3-45	27	4	08.6000.4.020	3-15	22	1	08.6010.4.012	3-53	53	(4)
07.6045.0.060	3-59	25	2	08.6000.4.025	3-35	01	1	08.6010.5.012	3-11	23	4
				08.6000.4.025	3-45	24	2	08.6010.5.012	3-45	14	4
<b>08.6000.3.005</b>				08.6000.4.025	3-63	15	2	08.6010.5.012	3-47	1	2
08.6000.3.005	3-13	37	2	08.6000.4.030	3-41	26	2	08.6010.5.012	3-49	6	2
08.6000.3.005	3-37	10	4-2*	08.6000.4.035	3-59	05	4	08.6010.5.012	3-53	2	(2)
08.6000.3.005	3-67	8	(1)	08.6000.4.050	3-45	17	2	08.6010.5.012	3-29	19	2
08.6000.3.005	3-29	15	2	08.6000.4.060	3-59	11	1	08.6012.3.006	3-53	25	(1)
08.6000.3.006	3-73	27*	1*	08.6000.5.012	3-13	36	2	08.6012.3.008	3-73	28*	2*
08.6000.3.006	3-59	15	2	08.6000.5.012	3-31	20	2	08.6012.4.006	3-63	15***	(2)
08.6000.3.006	3-73	27	3	08.6000.5.012	3-35	03	2	08.6012.4.006	3-65	36	2
08.6000.3.006	3-31	38*	1*	08.6000.5.012	3-35	03*	1*	08.6012.4.008	3-61	7	2
08.6000.3.006	3-63	12	1	08.6000.5.012	3-37	38	2	08.6012.4.012	3-67	42	
08.6000.3.008	3-13	20	1	08.6000.5.012	3-29	09	3	08.6012.7.016	3-63	8	2
08.6000.3.008	3-17	52	2	08.6000.5.016	3-13	25	1	08.6017.3.003	3-53	19	(2)
08.6000.3.008	3-21	52	2	08.6000.5.016	3-31	23	1	08.6032.3.005	3-73	25*	1*
08.6000.3.008	3-75	28	4	08.6000.5.016	3-41	19	8	08.6032.3.008	3-9	1	2
08.6000.3.008	3-53	46	(2)	08.6000.5.016	3-29	13	5	08.6032.3.030	3-63	31	2
08.6000.3.008	3-63	45	(1)	08.6000.5.020	3-31	19	1	08.6032.4.008	3-57	42**	1**
08.6000.3.010	3-63	46	(1)	08.6000.5.020	3-39	07	2	08.6032.4.008	3-79	8	1
08.6000.4.006	3-7	21	1	08.6000.5.020	3-59	21	8	08.6032.4.010	3-67	9	(4)
08.6000.4.006	3-13	5	1	08.6000.5.030	3-57	07	1	08.6032.4.012	3-67	27	14
08.6000.4.006	3-15	18	2	08.6000.5.040	3-63	22***	(1)	08.6032.4.016	3-67	28	4
08.6000.4.006	3-41	12	1	08.6000.5.060	3-29	28	4	08.6032.5.010	3-45	31	2
08.6000.4.008	3-7	35	1	08.6000.6.010	3-31	06	1	<b>08.6100.3.016</b>			
08.6000.4.008	3-75	2	6	08.6000.6.016	3-31	06	1	08.6100.3.016	3-17	34	1
08.6000.4.008	3-39	17	4	08.6000.6.020	3-59	36	2	08.6100.3.016	3-21	34	1
08.6000.4.008	3-57	24	2	08.6000.6.020	3-65	12	2				

Revised 04/2004

e-mail: [service@amfreece.cz](mailto:service@amfreece.cz); [parts@amfreece.cz](mailto:parts@amfreece.cz); website: [www.amfreece.com](http://www.amfreece.com)

Phones: +420 582 309 146 (Service), +420 582 309 286 (Spare Parts); Fax: +420 582 360 606

# INDEX

PART NUMBER	PAGE	DET	QTY	PART NUMBER	PAGE	DET	QTY	PART NUMBER	PAGE	DET	QTY
<b>08.6100.4.006</b>				<b>08.6400.3.010</b>				<b>08.6676.3.020</b>			
08.6100.4.006	3-31	42*	2*	08.6400.3.010	3-47	30	2	08.6676.3.020	3-65	6	6
08.6100.4.010	3-13	11	3	08.6400.3.010	3-49	4	2	08.6683.4.007	3-61	11	3
08.6100.4.010	3-63	25	1	08.6400.3.010	3-53	5	(2)				
08.6100.4.012	3-71	15	(4)	08.6400.3.016	3-79	14	(2)	<b>08.6700.3.000</b>			
08.6100.5.020	3-41	10	1	08.6400.4.004	3-41	54	(2)	08.6700.3.000	3-17	39	2
08.6102.3.008	3-75	6	4	08.6400.4.004	3-79	15	(2)	08.6700.3.000	3-21	39	2
08.6117.3.004	3-53	21	(5)	08.6400.4.004	3-21	89	2	08.6700.3.000	3-21	39*	4*
08.6117.3.005	3-53	30	(4)	08.6400.4.005	3-7	20	1	08.6700.3.000	3-39	32	1
08.6132.2.004	3-53	37	(2)	08.6400.4.006	3-57	12	1	08.6700.3.000	3-31	52*	2*
08.6132.2.006	3-53	61	(2)	08.6400.4.006	3-13	7	2	08.6700.3.000	3-79	13	(2)
08.6132.4.010	3-53	10	(2)	08.6400.4.006	3-17	41	1	08.6700.3.000	3-63	9	1
				08.6400.4.006	3-21	41	1	08.6700.4.000	3-35	2	1
				08.6400.4.006	3-47	4	2	08.6700.6.000	3-59	42	1
<b>08.6200.3.005</b>	3-47	32	4	08.6400.4.006	3-31	28*	2*	08.6700.6.000	3-63	2	2
08.6200.3.005	3-49	39	2	08.6400.4.006	3-49	11	2	08.6700.6.300	3-41	52	1
08.6200.3.005	3-49	39**	3**	08.6400.4.006	3-53	12	(2)	08.6700.6.300	3-29	1	1
08.6200.3.005	3-53	56	(2)	08.6400.4.008	3-13	2	2	08.6700.8.000	3-39	19	4
08.6200.4.006	3-15	9	2	08.6400.4.008	3-57	15	2	08.6702.2.000	3-53	31	(2)
08.6200.4.006	3-37	47	1	08.6400.4.008	3-29	25	1	08.6702.3.000	3-9	15	1
08.6200.4.006	3-61	30	2	08.6400.4.014	3-13	27	1	08.6702.4.000	3-59	17	1
08.6200.4.006	3-49	15	4	08.6400.4.014	3-59	44	1	08.6702.4.000	3-61	4	2
08.6200.4.006	3-63	30	2	08.6400.4.030	3-35	01*	1*	08.6702.4.000	3-67	40	12
08.6200.4.008	3-63	6	2	08.6400.5.005	3-3	20	2	08.6702.6.000	3-63	18***	(1)
08.6200.4.008	3-49	16	1	08.6400.5.006	3-41	53	1	08.6702.6.000	3-67	62	2
08.6200.4.008	3-57	33	1	08.6400.5.008	3-26	36	(2)	08.6702.8.000	3-67	17	4
08.6200.4.008	3-57	42	1	08.6400.5.030	3-5	5	1	08.6702.8.000	3-65	27	12
08.6200.4.008	3-59	23	8	08.6400.5.305	3-29	22	2	08.6702.8.000	3-67	17	8
08.6200.4.008	3-79	30	(4)	08.6400.5.305	3-26	16	2	08.6702.8.000	3-73	16	8
08.6200.4.008	3-63	27	2	08.6400.6.006	3-3	25	4	08.6702.8.020	3-71	17	(2)
08.6200.4.010	3-31	56*	2*	08.6400.6.006	3-5	21	2	08.6710.3.000	3-47	31	2
08.6200.4.012	3-17	46	1	08.6400.6.006	3-26	07	2	08.6710.3.000	3-21	69*	1*
08.6200.4.012	3-21	46	1	08.6400.6.006	3-31	3	2	08.6710.3.000	3-49	3	2
08.6200.4.012	3-57	10	1	08.6400.6.006	3-41	30	6	08.6710.3.000	3-53	4	(2)
08.6200.5.012	3-37	29	2	08.6400.6.006	3-67	31	1	08.6710.4.000	3-37	41	1
08.6200.6.010	3-67	16	(2)	08.6400.6.006	3-29	29	2	08.6710.4.000	3-45	25	2
				08.6400.6.008	3-5	13	2	08.6710.4.000	3-47	12	4
<b>08.6310.3.012</b>				08.6420.4.004	3-31	45*	1*	08.6710.4.000	3-59	2	1
08.6310.3.012	3-21	86*	1*	08.6420.4.004	3-79	18	(2)	08.6710.4.000	3-59	10	1
08.6312.8.020	3-71	12	(2)	08.6460.7.004	3-17	65	2	08.6710.4.000	3-31	46*	1*
08.6312.8.040	3-65	31	4	08.6460.7.004	3-21	65	2	08.6710.4.000	3-21	84*	1*
								08.6710.4.000	3-49	12	4
<b>08.6400.3.004</b>				<b>08.6522.4.006</b>				08.6710.4.000	3-63	18	3
08.6400.3.004	3-13	28	1	08.6522.4.006	3-45	1	2	08.6710.4.000	3-53	14	(4)
08.6400.3.004	3-17	8	1	08.6532.8.050	3-65	21	6	08.6710.4.000	3-79	17	(2)
08.6400.3.004	3-21	8	1	08.6532.8.070	3-67	22	4	08.6710.5.000	3-17	33	1
08.6400.3.005	3-11	21	(2)					08.6710.5.000	3-21	33	1
08.6400.3.005	3-57	22	4	<b>08.6662.4.010</b>				08.6710.5.000	3-26	32	2
08.6400.3.006	3-5	3	1	08.6662.4.010	3-71	18	2	08.6710.5.000	3-35	7	2
08.6400.3.006	3-57	19	2	08.6663.5.025	3-67	13	(1)	08.6710.5.000	3-63	24	1

Revised 04/2004

e-mail: [service@amfreece.cz](mailto:service@amfreece.cz); [parts@amfreece.cz](mailto:parts@amfreece.cz); website: [www.amfreece.com](http://www.amfreece.com)

**INDEX**

PART NUMBER	PAGE	DET	QTY	PART NUMBER	PAGE	DET	QTY	PART NUMBER	PAGE	DET	QTY
<b>08.6710.8.400</b>				<b>10.1215.0.050</b>				<b>12.0008.3.608</b>			
08.6710.8.400	3-7	7	1	10.1215.0.050	3-57	43**	1**	12.0008.3.608	3-81	21	1
08.6710.8.400	3-31	7	2	10.1215.0.050	3-79	7	1	12.0008.3.612	3-61	6	1
08.6712.8.000	3-39	36	1	10.4012.1.001	3-17	15	1	12.0008.3.614	3-61	17	1
08.6722.8.000	3-65	28	2	10.4012.1.001	3-85			12.0008.3.615	3-61	12	1
				10.4012.1.002	3-85			12.0008.3.616	3-61	13	3
<b>08.6800.3.000</b>				10.4012.1.004	3-85			12.0008.3.622	3-63	13***	(1)
08.6800.3.000	3-21	97	1	10.4012.1.016	3-21	15*	1*	12.0008.3.628	3-63	21	2
08.6800.6.000	3-65	11	2	10.4012.1.016	3-85			12.0008.3.629	3-63	35	1
08.6800.8.000	3-37	34	4	10.4012.1.030	3-85			12.0008.3.631	3-63	10	1
08.6802.3.000	3-31	53*	2*	10.4012.1.032	3-21	15**	1**	12.0008.3.658	3-61	2	1
08.6802.8.000	3-65	26	12	10.4012.1.032	3-85			12.0008.3.659	3-61	1	1
08.6802.8.000	3-71	16	(2)					12.0008.3.661	3-61	19	1
08.6802.8.000	3-73	15	4	<b>12.0008.3.002</b>							
08.6832.3.000	3-73	24*	1*	12.0008.3.002	3-79	36	(1)	<b>12.0008.4.058</b>			
08.6832.6.000	3-67	63	2	12.0008.3.023	3-59	4	15	12.0008.4.058	3-61	9	4
08.6850.3.000	3-75	27	4	12.0008.3.023	3-61	10	4	12.0008.4.100	3-59	18	1
08.6850.3.000	3-37	39	1	12.0008.3.029	3-63	14	1	12.0008.4.155	3-67	46	1
08.6850.3.000	3-63	47	(2)	12.0008.3.029	3-63	14***	(2)	12.0008.4.197	3-59	35	1
08.6850.4.000	3-7	34	1	12.0008.3.040	3-59	8	1	12.0008.4.204	3-71	9	(1)
08.6850.4.000	3-13	6	1	12.0008.3.090	3-59	3	2	12.0008.4.207	3-67	34	2
08.6850.4.000	3-15	10	4	12.0008.3.090	3-79	32	(1)	12.0008.4.231	3-67	33	6
08.6850.4.000	3-17	66	1	12.0008.3.092	3-59	31	2	12.0008.4.231	3-67	33*	1*
08.6850.4.000	3-21	66	1	12.0008.3.102	3-59	27	2	12.0008.4.280	3-63	11	1
08.6850.4.000	3-75	11	2	12.0008.3.148	3-59	26	2	12.0008.4.296	3-71	10	(1)
08.6850.4.000	3-37	26	2	12.0008.3.180	3-59	16	1	12.0008.4.366	3-67	12	(1)
08.6850.4.000	3-41	39	6	12.0008.3.180	3-63	13	1	12.0008.4.403	3-67	01**	1
08.6850.4.000	3-45	19	2	12.0008.3.233	3-59	7	2	12.0008.4.465	3-75	10	1
08.6850.4.000	3-59	19	2	12.0008.3.234	3-59	28	2	12.0008.4.488	3-73	8	2
08.6850.4.000	3-31	33*	1*	12.0008.3.244	3-75	14	5	12.0008.4.563	3-75	8	(1)
08.6850.4.000	3-31	55*	2*	12.0008.3.244	3-75	14*	1*	12.0008.4.613	3-67	35	1
08.6850.5.000	3-26	33	2	12.0008.3.254	3-59	1	7	12.0008.4.614	3-67	50	1
08.6850.5.000	3-31	25	1	12.0008.3.260	3-59	9	1	12.0008.4.615	3-67	36	(1)
08.6850.5.000	3-41	4	8	12.0008.3.411	3-79	25	(2)	12.0008.4.679	3-67	02**	(1)
08.6850.5.000	3-29	26	4	12.0008.3.418	3-61	5	1	12.0008.4.682	3-67	60	1
08.6850.6.000	3-63	1	1	12.0008.3.420	3-61	32	1	12.0008.4.690	3-73	11*	1
08.6850.6.000	3-65	10	2	12.0008.3.426	3-61	27	5	12.0008.4.691	3-67	43	1
08.6850.6.000	3-65	15	1	12.0008.3.427	3-61	18	2	12.0008.4.695	3-67	48	1
08.6850.8.000	3-35	10	1	12.0008.3.430	3-61	29	2	12.0008.4.696	3-67	51	1
08.6852.4.000	3-61	3	2	12.0008.3.440	3-79	26	(2)	12.0008.4.698	3-67	54	1
08.6852.5.000	3-65	35	(2)	12.0008.3.476	3-61	26	1	12.0008.4.709	3-73	5	2
08.6852.8.000	3-73	14	4	12.0008.3.477	3-61	21	24	12.0008.4.710	3-71	4	5
08.6852.8.000	3-67	15	4	12.0008.3.477	3-61	21**	3**	12.0008.4.713	3-71	3	1
08.6852.8.000	3-65	25	12	12.0008.3.477	3-79	35	(3)	12.0008.4.716	3-67	49	1
08.6852.8.000	3-71	13	(4)	12.0008.3.478	3-61	20	1	12.0008.4.717	3-67	52	1
08.6887.5.000	3-31	39*	1*	12.0008.3.479	3-61	23	1	12.0008.4.748	3-73	22	1
				12.0008.3.482	3-61	25	4+3	12.0008.4.749	3-73	20	2
<b>10.1010.0.206</b>				12.0008.3.482	3-61	25**	1**	12.0008.4.751	3-73	17	1
10.1010.0.206	3-49	42	2	12.0008.3.482	3-79	34	(1)	12.0008.4.754	3-73	1	3
10.1021.2.000	3-11	13	(2)	12.0008.3.483	3-61	22	1	12.0008.4.756	3-73	7	1

Revised 04/2004

e-mail: [service@amfreece.cz](mailto:service@amfreece.cz); [parts@amfreece.cz](mailto:parts@amfreece.cz); website: [www.amfreece.com](http://www.amfreece.com)

Phones: +420 582 309 146 (Service), +420 582 309 286 (Spare Parts); Fax: +420 582 360 606

# INDEX

PART NUMBER	PAGE	DET	QTY	PART NUMBER	PAGE	DET	QTY	PART NUMBER	PAGE	DET	QTY
<b>12.0008.4.757</b>				<b>12.2050.1.001</b>				<b>17.0012.0.328</b>			
12.0008.4.757	3-67	29	1	12.2050.1.001	3-3	14	2	17.0012.0.328	3-7	17	(1)
12.0008.4.758	3-71	5	1	12.2050.1.005	3-49	56	1	17.0012.0.347	3-75	13	2
12.0008.4.761	3-67	24	2	12.2050.1.005	3-53	65	(1)	17.0012.0.404	3-17	23	2
12.0008.4.762	3-73	02*	1*	12.2050.1.007	3-29	7	1	17.0012.0.404	3-21	23	2
12.0008.4.777	3-67	25	1	12.2050.1.010	3-11	6	(1)	17.0012.0.543	3-11	27	1
12.0008.4.778	3-67	53	1	12.2070.0.020	3-63	32	1	17.0012.0.543	3-49	46	1
				12.2070.0.004	3-41	37	4	17.0012.0.570	3-11	19	(1)
<b>12.0008.6.001</b>				12.2080.0.001	3-26	21	(6)	17.0012.0.571	3-31	15	2
12.0008.6.001	3-81	2	1	12.2080.0.002	3-9	11	1	17.0012.0.605	3-13	40	1
12.0008.6.005	3-81	1	1	12.2099.1.009	3-29	6	1	17.0012.0.605	3-17	31	1
12.0008.6.114	3-81	5	1	12.3015.7.016	3-31	49*	4*	17.0012.0.605	3-21	31**	1*
12.0008.6.117	3-81	8	1	12.5050.1.008	3-3	8	1	17.0012.0.605	3-49	47	1
12.0008.6.215	3-81	4	1	12.5050.1.501	3-39	13	1	17.0012.0.688	3-21	31*	1*
12.0008.6.810	3-59	29	8	12.5050.2.005	3-41	24	2	17.0012.1.139	3-17	9	2
12.0008.6.812	3-37	30	(1)	12.5050.2.006	3-29	18	1	17.0012.1.139	3-21	9	2
12.0008.6.901	3-65	7	1	12.5050.2.008	3-3	2	1	17.0012.1.140	3-17	4	2
12.0008.6.915	3-57	37	2	12.5050.2.012	3-31	26*	1*	17.0012.1.140	3-21	4	2
12.0008.6.915	3-65	30	1	12.5050.2.013	3-29	10	1	17.0012.1.142	3-17	28	2
12.0008.6.915	3-84	19		12.8000.0.030	3-67	26	1	17.0012.1.142	3-21	28	2
12.0008.6.959	3-57	41	4	12.8000.0.401	3-75	7	(1)	17.0012.1.142	3-49	58	1
12.0008.6.968	3-81	20	1	12.8000.0.423	3-67	55	1	17.0012.1.142	3-53	67	(1)
								17.0012.1.169	3-7	30	1
<b>12.1010.0.000</b>				<b>17.0002.1.274</b>				17.0012.2.400	3-17	36	1
12.1010.0.000	3-49	44	1	17.0002.1.274	3-11	5	(1)	17.0012.2.400	3-21	36	1
12.1010.0.206	3-47	35	2	17.0003.5.711	3-17	21	1	17.0012.3.054	3-47	18	6
12.1010.0.206	3-53	55	(2)	17.0003.5.711	3-21	21	1	17.0012.3.054	3-53	47	(4)
12.1010.0.516	3-39	37	1	17.0003.6.156	3-65	3	1	17.0012.4.067	3-41	49	2
12.1014.0.000	3-53	28	(1)	17.0003.8.053	3-37	32	(1)	17.0012.4.070	3-29	4	2
12.1015.0.002	3-79	21	(2)	17.0004.4.829	3-17	27	1	17.0012.4.070	3-41	56	1
12.1040.1.000	3-3	16	1	17.0004.4.829	3-21	27	1	17.0012.4.102	3-15	2	1
12.1040.1.001	3-11	35	(1)	17.0004.9.858	3-7	18	(1)	17.0012.4.103	3-49	32	2
12.1040.1.002	3-26	03	1	17.0004.9.894	3-17	19	1	17.0012.4.105	3-17	56	1
12.1040.1.002	3-29	16	3	17.0004.9.894	3-21	19	1	17.0012.4.105	3-21	56	1
12.1045.0.001	3-63	44	(2)	17.0004.9.895	3-17	7	1	17.0012.4.106	3-17	32	1
12.1045.1.002	3-3	5	1	17.0004.9.895	3-21	7	1	17.0012.4.106	3-21	32	1
12.1045.1.002	3-59	37	2					17.0012.4.106	3-21	32**	1**
				<b>17.0011.2.013</b>				17.0012.4.106	3-47	9	2
<b>12.2010.0.004</b>				17.0011.2.013	3-3	4	4	17.0012.4.106	3-49	61	2
12.2010.0.004	3-39	22	(1)	17.0011.2.072	3-41	5	1	17.0012.4.106	3-53	70	(2)
12.2010.0.005	3-39	10	2	17.0011.8.043	3-13	14	1	17.0012.6.110	3-45	12	9
12.2010.0.011	3-29	17	2	17.0012.0.113	3-26	13	1	17.0012.6.114	3-49	23	4
12.2010.0.011	3-26	15	1	17.0012.0.120	3-11	28	2	17.0012.7.007	3-35	11	1
12.2010.0.021	3-26	04	1	17.0012.0.121	3-29	20	4	17.0012.7.007	3-63	22	1
12.2010.1.001	3-11	33	(1)	17.0012.0.211	3-63	41	2	17.0013.1.171	3-39	34	1
12.2050.0.001	3-3	19	1	17.0012.0.215	3-7	39	(1)	17.0013.1.415	3-15	16	1
12.2050.0.004	3-5	18	(1)	17.0012.0.218	3-29	24	2	17.0013.1.415	3-31	13*	1*
12.2050.0.007	3-41	17	6	17.0012.0.226	3-17	67	1	17.0013.1.415	3-31	13	2
12.2050.0.008	3-17	24	1	17.0012.0.226	3-21	96	1	17.0013.1.482	3-21	71*	1*
12.2050.0.008	3-21	24	1	17.0012.0.303	3-47	21	2	17.0013.2.090	3-26	08	1

Revised 04/2004

e-mail: [service@amfreece.cz](mailto:service@amfreece.cz); [parts@amfreece.cz](mailto:parts@amfreece.cz); website: [www.amfreece.com](http://www.amfreece.com)

**INDEX**

PART NUMBER	PAGE	DET	QTY	PART NUMBER	PAGE	DET	QTY	PART NUMBER	PAGE	DET	QTY
<b>17.0013.2.090</b>				<b>17.0021.1.073</b>				<b>17.0032.5.035</b>			
17.0013.2.090	3-31	16	1	17.0021.1.073	3-31	22	1	17.0032.5.035	3-13	9	1
17.0013.4.027	3-31	18	1	17.0026.0.215	3-17	38	2	17.0033.3.131	3-26	34	2
17.0013.4.027	3-41	20	1	17.0026.0.215	3-21	38	1	17.0033.3.157	3-13	21	1
17.0013.5.067	3-47	5	2	17.0026.0.216	3-57	8	1	17.0033.8.089	3-17	5	1
17.0013.5.067	3-49	10	2	17.0026.0.218	3-21	67*	1*	17.0033.8.089	3-21	5	1
17.0013.5.067	3-53	15	(2)	17.0026.0.553	3-13	8	1	17.0033.8.154	3-17	18	1
17.0013.6.081	3-17	47	2	17.0026.1.084	3-11	12	(2)	17.0033.8.154	3-21	18	1
17.0013.6.081	3-21	47	2	17.0026.2.054	3-21	81*	1*	17.0034.2.328	3-29	5	1
17.0013.6.081	3-21	82*	1*	17.0026.2.072	3-13	17	1	17.0034.9.201	3-3	12	1
17.0014.1.066	3-31	23**	1**	17.0026.2.077	3-11	14	(1)				
17.0014.1.066	3-79	1	1	17.0026.2.078	3-17	62	1	<b>17.0041.1.094</b>			
17.0014.1.119	3-41	3	2	17.0026.2.078	3-21	62	1	17.0041.1.094	3-17	3	4
17.0014.1.178	3-21	70*	1*	17.0026.3.014	3-39	38	1	17.0041.1.094	3-21	3	4
17.0015.2.053	3-11	15	(1)	17.0026.3.086	3-79	22	(2)	17.0041.8.152	3-9	9	1
17.0015.3.022	3-9	13	1	17.0026.3.123	3-7	6	1	17.0042.1.279	3-39	12	2
17.0016.1.054	3-26	31	1	17.0026.3.173	3-17	49	1	17.0042.1.283	3-11	31	(1)
17.0016.1.054	3-49	33	1	17.0026.3.173	3-21	49	1	17.0042.1.332	3-9	7	1
17.0016.1.094	3-26	37	(1)	17.0026.3.251	3-13	34	1	17.0042.1.332	3-57	40	(1)
17.0016.1.140	3-7	11	(1)	17.0026.4.035	3-17	44	1	17.0042.2.216	3-11	2	1
17.0016.1.180	3-7	12	(1)	17.0026.4.035	3-21	44	1	17.0043.6.018	3-29	21	1
17.0016.1.214	3-17	48	1	17.0026.4.064	3-49	29	1	17.0043.6.018	3-26	17	1
17.0016.1.214	3-21	48	1	17.0026.4.065	3-49	28	1	17.0043.6.351	3-11	26	1
17.0016.1.298	3-35	02*	1*	17.0026.4.292	3-17	22	1	17.0044.1.563	3-13	24	1
17.0016.1.401	3-21	68*	1*	17.0026.4.292	3-21	22	1	17.0044.2.229	3-11	36	1
17.0019.0.225	3-5	15	1	17.0026.4.293	3-17	12	1				
17.0019.0.228	3-17	1	2	17.0026.4.293	3-21	12	1	<b>17.0063.1.073</b>			
17.0019.0.228	3-21	1	2	17.0027.1.106	3-37	28	1	17.0063.1.073	3-17	2	1
17.0019.0.358	3-7	16	(1)	17.0027.1.223	3-81	6	1	17.0063.1.073	3-21	2	1
17.0019.0.398	3-26	28	1	17.0027.1.413	3-15	17	1	17.0063.4.169	3-7	32	1
17.0019.0.441	3-39	20	8	17.0027.1.419	3-57	9	1	17.0063.6.220	3-31	17	1
17.0019.0.441	3-65	32	4	17.0027.1.463	3-57	11	2	17.0064.5.863	3-82	14	
17.0019.0.605	3-3	15	1	17.0027.1.799	3-15	15	1	17.0064.6.117	3-17	16	1
17.0019.1.062	3-11	20	(2)	17.0027.4.084	3-41	23	1	17.0064.6.117	3-21	16	1
17.0019.1.062	3-41	22	1	17.0027.4.085	3-11	34	(1)	17.0064.6.304	3-13	10	1
17.0019.1.088	3-17	26	2	17.0027.4.085	3-39	21	(1)	17.0064.6.416	3-31	24**	1**
17.0019.1.088	3-21	26	2					17.0064.6.416	3-79	2	1
17.0019.2.061	3-7	13	(1)	<b>17.0031.0.196</b>				17.0064.7.162	3-17	45	1
17.0019.2.066	3-47	7	2	17.0031.0.196	3-39	39	1	17.0064.7.162	3-21	45	1
17.0019.2.066	3-49	8	2	17.0031.0.199	3-7	5	1	17.0064.8.140	3-13	32	1
17.0019.2.066	3-53	7	(2)	17.0031.0.201	3-13	35	1	17.0066.7.151	3-87		
17.0019.5.019	3-13	18	1	17.0031.0.352	3-31	10	1	17.0066.7.152	3-87		
17.0019.5.040	3-47	6	2	17.0031.0.359	3-11	8	(1)	17.0066.7.157	3-47	14	1
17.0019.5.040	3-49	9	2	17.0031.0.406	3-17	37	1	17.0066.7.157	3-87		
17.0019.5.040	3-53	8	(2)	17.0031.0.406	3-21	37	1	17.0066.7.158	3-47	11	1
				17.0031.0.425	3-7	29	1	17.0066.7.158	3-87		
				17.0031.0.428	3-7	1	1	17.0066.7.175	3-86		
<b>17.0021.1.069</b>				17.0031.1.086	3-13	13	1	17.0066.7.176	3-86		
17.0021.1.069	3-41	15	3	17.0031.3.027	3-11	11	(2)	17.0066.7.177	3-85		
17.0021.1.070	3-3	18	2	17.0032.4.059	3-13	12	1	17.0066.7.178	3-85		
17.0021.1.070	3-26	10	1								

Revised 04/2004

e-mail: [service@amfreece.cz](mailto:service@amfreece.cz); [parts@amfreece.cz](mailto:parts@amfreece.cz); website: [www.amfreece.com](http://www.amfreece.com)

Phones: +420 582 309 146 (Service), +420 582 309 286 (Spare Parts); Fax: +420 582 360 606

# INDEX

PART NUMBER	PAGE	DET	QTY	PART NUMBER	PAGE	DET	QTY	PART NUMBER	PAGE	DET	QTY
<b>17.0067.2.098</b>				<b>18.0004.3.251</b>				<b>18.0081.1.403</b>			
17.0067.2.098	3-3	23	1	18.0004.3.251	3-39	27	1	18.0081.1.403	3-49	52	1
17.0069.4.019	3-85			18.0011.2.400	3-11	17	(2)	18.0081.1.404	3-49	51	1
17.0069.4.048	3-17	20	1	18.0011.3.400	3-3	7	1	18.0081.8.706	3-17	13	1
17.0069.4.048	3-21	20	1	18.0011.3.401	3-57	20	1	18.0081.8.706	3-21	13	1
17.0069.4.049	3-17	6	1	18.0011.8.400	3-21	57	1	18.0082.1.401	3-13	38	1
17.0069.4.049	3-21	6	1	18.0017.1.400	3-17	64	1	18.0082.6.406	3-21	93	1
17.0074.4.405	3-17	25	1	18.0017.1.400	3-21	64	1	18.0082.6.419	3-31	14**	1**
17.0074.4.405	3-21	25	1	18.0019.0.689	3-7	38	1	18.0082.6.419	3-79	4	1
				18.0019.0.690	3-7	8	1	18.0082.8.400	3-17	63	1
<b>17.0081.4.313</b>				18.0026.4.403	3-21	78	1	18.0082.8.400	3-21	63	1
17.0081.4.313	3-7	19	(1)	18.0028.3.400	3-57	21	1	18.0087.0.406	3-82	13	1
17.0081.4.376	3-3	22	1	18.0028.3.401	3-21	92	1	18.0087.0.426	3-49	20	1
17.0081.4.437	3-45	29***	3***	18.0031.0.481	3-21	94	1	19.0087.0.425	3-49	25	1
17.0081.5.047	3-39	2	4	18.0031.3.401	3-7	4	1	19.0087.0.417	3-79	10	1
17.0081.5.082	3-17	53	1	18.0031.8.130	3-11	10	(2)	18.0087.0.417	3-79	37	1
17.0081.5.082	3-21	53	1	18.0031.8.402	3-7	2	1	18.0087.0.417	3-82	13	
17.0082.5.235	3-17	55	1	18.0032.3.198	3-39	26	(1)	18.0087.0.418	3-82	13	
17.0082.5.235	3-21	55	1	18.0033.1.402	3-57	23	2	18.0087.0.419	3-82	14	
17.0082.5.884	3-15	3	1	18.0033.8.400	3-7	33	1	18.0094.5.319	3-7	15	(1)
17.0082.5.884	3-47	27	1	18.0041.0.676	3-39	15	1	18.0094.5.400	3-84	18	
17.0082.5.898	3-17	11	1	18.0042.5.405	3-7	9	1	18.0095.4.400	3-57	30	1
17.0082.5.898	3-21	11	1	18.0044.1.213	3-3	17	1	19.0002.0.463	3-63	38	1
17.0082.5.997	3-31	14	2	18.0044.2.641	3-7	3	1				
17.0082.6.000	3-37	37	2	18.0052.0.274	3-39	23	(1)	<b>19.0002.1.400</b>			
17.0082.6.000	3-59	14	2	18.0052.1.400	3-39	14	1	19.0002.1.400	3-11	4	1
17.0082.6.402	3-21	80*	1*					19.0002.4.400	3-7	22	1
17.0082.8.017	3-11	16	(1)	<b>18.0061.3.350</b>				19.0002.4.401	3-5	16	1
17.0082.8.060	3-13	16	1	18.0061.3.350	3-39	25	(1)	19.0002.4.402	3-11	30	1
17.0082.8.079	3-13	15	2	18.0064.1.100	3-7	14	(1)	19.0002.5.409	3-17	35	1
17.0082.8.082	3-21	95	1	18.0064.8.426	3-79	20	(1)	19.0002.5.409	3-21	35	1
17.0082.8.083	3-17	61	2	18.0064.8.427	3-79	24	(1)	19.0002.5.411	3-37	36*	1*
17.0082.8.083	3-21	61	2	18.0066.7.404	3-86			19.0002.8.103	3-5	6	1
17.0083.6.419	3-37	40	1	18.0066.7.405	3-86			19.0002.8.104	3-9	6	1
17.0083.9.239	3-13	4	1	18.0066.7.408	3-87			19.0003.1.651	3-49	1	
17.0087.0.169	3-47	28	1	18.0066.7.409	3-87			19.0003.1.652	3-49		
17.0087.0.204	3-17	30	1	18.0066.7.410	3-86			19.0003.1.653	3-49		
17.0087.0.204	3-21	30**	1**	18.0066.7.411	3-86			19.0003.1.654	3-49		
				18.0066.7.412	3-86			19.0003.1.655	3-53	1	1
<b>17.0094.1.097</b>				18.0066.7.413	3-86			19.0004.1.402	3-53	29	(1)
17.0094.1.097	3-57	36	4	18.0066.7.414	3-85			19.0004.7.200	3-13	30	1
17.0094.1.401	3-53	33	(1)	18.0066.7.415	3-85			19.0005.0.011	3-67	7	(1)
17.0094.5.052	3-37	35	2					19.0005.0.012	3-67	6	(4)
17.0095.1.272	3-39	40	8	<b>18.0074.6.201</b>				19.0005.0.013	3-67	14	(1)
17.0095.1.272	3-65	33	8	18.0074.6.201	3-57	31	1	19.0005.0.015	3-65	24	1
17.0095.1.329	3-7	23	(1)	18.0074.6.203	3-57	29	1	19.0005.0.016	3-65	23	1
17.0097.5.182	3-67	30	1	18.0074.6.204	3-57	14	1	19.0005.0.017	3-65	19	1
				18.0074.6.206	3-57	5	1	19.0005.2.209	3-21	75*	1*
<b>18.0002.6.089</b>				18.0074.6.207	3-57	17	1	19.0005.2.210	3-21	77	1
18.0002.6.089	3-7	10	1					19.0005.2.212	3-49	43	1

Revised 04/2004

e-mail: [service@amfreece.cz](mailto:service@amfreece.cz); [parts@amfreece.cz](mailto:parts@amfreece.cz); website: [www.amfreece.com](http://www.amfreece.com)

**INDEX**

PART NUMBER	PAGE	DET	QTY	PART NUMBER	PAGE	DET	QTY	PART NUMBER	PAGE	DET	QTY
<b>19.0005.2.215</b>				<b>19.0014.6.408</b>				<b>19.0031.8.403</b>			
19.0005.2.215	3-53	24	(1)	19.0014.6.408	3-71	20	2	19.0031.8.403	3-5	4	1
19.0005.2.216	3-21	88	1	19.0014.6.409	3-57	3	1	19.0031.8.405	3-41	27	1
19.0006.9.443	3-65	20	1	19.0015.6.401	3-41	41	3	19.0031.8.405	3-45	23	2
19.0007.8.405	3-65	1	1	19.0015.6.402	3-59	32	4	19.0031.8.406	3-31	9	2
19.0007.9.008	3-67	39	1	19.0016.1.402	3-45	11	2	19.0031.8.407	3-59	34	1
19.0007.9.011	3-67	57*	1*	19.0016.1.402	3-47	16	2	19.0031.8.408	3-59	38	1
19.0007.9.461	3-75	34*	1*	19.0016.1.402	3-49	50	2	19.0031.8.412	3-63	43	(1)
19.0007.9.462	3-75	29	3	19.0016.1.402	3-53	49	(2)	19.0032.0.400	3-13	33	1
19.0007.9.463	3-73	4	1	19.0016.1.403	3-21	79*	1*	19.0032.2.401	3-39	3	1
19.0007.9.464	3-75	18	1	19.0016.3.403	3-5	1	1	19.0032.2.405	3-21	74*	1*
19.0007.9.465	3-75	17	1	19.0016.3.403	3-26	18	2	19.0032.3.401	3-39	9	1
19.0007.9.466	3-75	19	1	19.0016.3.403	3-41	40	2	19.0032.6.216	3-13	22	1
19.0007.9.468	3-73	23*	1*	19.0016.3.405	3-41	43	1	19.0032.6.400	3-5	11	1
19.0007.9.469	3-73	3	1	19.0016.3.406	3-79	27	(2)	19.0032.6.401	3-26	35	2
19.0007.9.470	3-67	37	1	19.0016.3.407	3-31	35*	1*	19.0032.6.404	3-63	3	1
19.0007.9.471	3-67	38	1	19.0016.3.408	3-63	17	1	19.0032.8.401	3-47	15	2
19.0007.9.472	3-75	33*	1*	19.0017.2.401	3-13	19	1	19.0032.8.401	3-53	11	(2)
19.0007.9.493	3-61	16	1	19.0017.2.402	3-39	31	1	19.0032.8.404	3-49	21	2
19.0007.9.475	3-71	6	1	19.0017.4.400	3-31	8	2	19.0033.1.401	3-47	24	2
19.0007.9.476	3-71	7	1	19.0019.0.682	3-29	14	3	19.0033.1.401	3-49	48	2
19.0007.9.477	3-67	19	(1)	19.0019.0.685	3-41	13	1	19.0033.1.401	3-53	52	(2)
19.0007.9.478	3-75	21	1	19.0019.0.686	3-26	27	1	19.0033.2.401	3-9	8	2
19.0007.9.483	3-61	16**	1**	19.0019.0.687	3-11	7	(1)	19.0033.2.403	3-31	40*	4*
19.0008.2.001	3-37	33	1	19.0019.0.692	3-53	63	(1)	19.0033.2.405	3-45	6	2
19.0008.3.410	3-63	37	1	19.0019.6.402	3-49	27	1	19.0033.3.401	3-26	25	(1)
<b>19.0011.0.400</b>				<b>19.0026.3.400</b>				19.0033.3.402			
19.0011.0.400	3-17	50	1	19.0026.3.400	3-9	5	4	19.0033.3.405	3-31	31*	1*
19.0011.0.400	3-21	50	1	19.0026.4.402	3-53	62	(1)	19.0033.3.405	3-63	34	1
19.0011.0.402	3-35	9	1	19.0026.4.404	3-63	40	(1)	19.0033.5.401	3-41	16	1
19.0011.1.400	3-63	23	1	19.0027.1.603	3-39	33	1	19.0033.8.401	3-29	2	2
19.0011.1.401	3-11	19*	1	19.0027.1.608	3-79	16	(1)	19.0033.8.401	3-41	51	1
19.0011.2.401	3-21	83*	1*	19.0027.1.609	3-79	23	(1)	19.0033.8.403	3-9	3	4
19.0011.8.401	3-17	57	1	19.0027.1.610	3-47	33	2	19.0033.8.405	3-5	12	1
19.0011.8.403	3-5	22	1	19.0027.1.610	3-49	35	2	19.0034.0.401	3-41	34	1
19.0012.0.689	3-21	73*	1*	19.0027.1.610	3-53	59	(2)	19.0034.0.402	3-41	38	1
19.0012.1.403	3-17	51	1	19.0028.3.403	3-45	21	2	19.0034.0.403	3-41	33	2
19.0012.1.403	3-21	51	1	19.0028.3.403	3-45	21	1	19.0034.0.404	3-41	1	1
19.0012.1.404	3-49	55	1	19.0028.3.404	3-45	32	1	19.0034.0.405	3-26	11	1
19.0012.2.401	3-41	44	1	19.0028.3.405	3-53	43	(1)	19.0034.0.406	3-31	5	1
19.0012.5.400	3-45	22	2	19.0028.3.406	3-53	44	(1)	19.0034.2.402	3-35	5	1
19.0013.0.001	3-17	43	1	19.0028.3.407	3-53	35	(1)	19.0034.6.400	3-17	58	1
19.0013.1.486	3-49	26	1	<b>19.0031.0.651</b>				19.0034.6.402	3-17	60	1
19.0013.1.487	3-45	7	4	19.0031.0.651	3-84	16		19.0034.6.402	3-21	60	1
19.0013.1.491	3-21	43*	1*	19.0031.0.652	3-84	16		19.0034.7.400	3-31	12	1
19.0013.1.492	3-21	76*	1*	19.0031.0.653	3-84	16		19.0036.2.401	3-63	19	1
19.0013.6.400	3-5	2	1	19.0031.0.654	3-84	16		<b>19.0041.0.675</b>			
19.0013.6.400	3-26	19	2	19.0031.3.404	3-53	40	(1)	19.0041.0.675	3-41	18	3
19.0014.3.401	3-9	2	1					19.0041.0.679	3-45	28	4

Revised 04/2004

e-mail: [service@amfreece.cz](mailto:service@amfreece.cz); [parts@amfreece.cz](mailto:parts@amfreece.cz); website: [www.amfreece.com](http://www.amfreece.com)

Phones: +420 582 309 146 (Service), +420 582 309 286 (Spare Parts); Fax: +420 582 360 606

# INDEX

PART NUMBER	PAGE	DET	QTY	PART NUMBER	PAGE	DET	QTY	PART NUMBER	PAGE	DET	QTY
<b>19.0041.0.683</b>				<b>19.0055.4.418</b>				<b>19.0063.6.451</b>			
19.0041.0.683	3-29	3	1	19.0055.4.418	3-31	27*	2*	19.0063.6.451	3-79	5	1
19.0041.0.683	3-41	48	1	19.0055.4.419	3-41	35	1	19.0064.5.846	3-84	15	
19.0041.0.684	3-47	34	2	19.0055.4.419	3-29	30	1	19.0064.5.847	3-84	15	
19.0041.0.684	3-49	37	2	19.0055.5.400	3-41	45	2	19.0064.5.848	3-84	15	
19.0041.0.684	3-53	54	(2)	19.0058.1.400	3-41	36	2	19.0064.5.849	3-84	15	
19.0041.1.400	3-49	57	1					19.0064.5.850	3-83	15	
19.0041.1.400	3-53	66	(1)	<b>19.0061.2.421</b>				19.0064.5.851	3-83	15	
19.0041.6.400	3-39	4	2	19.0061.2.421	3-31	2	1	19.0064.5.852	3-83	15	
19.0041.6.401	3-11	18	(1)	19.0061.3.601	3-35	6	1	19.0064.5.853	3-83	15	
19.0041.8.401	3-26	12	2	19.0061.3.601	3-45	15	2	19.0064.5.854	3-83	15	
19.0042.1.406	3-17	59	1	19.0061.3.602	3-35	4	1	19.0064.5.855	3-83	15	
19.0042.1.406	3-21	59	1	19.0061.3.603	3-13	29	1	19.0064.5.856	3-83	15	
19.0042.1.407	3-15	14	1	19.0061.3.604	3-13	31	1	19.0064.5.857	3-83	15	
19.0042.1.408	3-5	8	(1)	19.0061.3.605	3-49	45	1	19.0064.5.858	3-83	15	
19.0042.2.400	3-26	09	1	19.0061.3.610	3-35	04*	1*	19.0064.5.860	3-82	15	
19.0042.2.402	3-3	21	1	19.0061.3.611	3-53	64	(1)	19.0064.5.862	3-82	15	
19.0042.5.401	3-29	8	1	19.0061.6.401	3-21	29*	1*	19.0064.5.951	3-84	15	
19.0042.5.403	3-31	11	2	19.0062.2.403	3-31	30*	1*	19.0064.5.952	3-83	15	
19.0042.5.409	3-53	60	(1)	19.0062.5.403	3-13	23	1	19.0064.5.954	3-31	29*	1*
19.0042.5.410	3-3	13	1	19.0062.5.404	3-49	30	1	19.0064.5.955	3-84	15	
19.0042.7.401	3-26	30	1	19.0062.5.405	3-21	91	1	19.0064.5.956	3-84	15	
19.0043.6.046	3-41	47	1	19.0062.5.406	3-79	19	(2)	19.0064.5.956	3-79	11	1
19.0043.6.441	3-26	29	1	19.0062.5.408	3-47	23	2	19.0064.5.957	3-84	15	
19.0043.6.442	3-5	20	1	19.0062.5.408	3-49	36	2	19.0064.6.465	3-59	30	2
19.0043.6.443	3-3	1	1	19.0062.5.408	3-53	58	(2)	19.0064.6.467	3-13	1	1
19.0044.1.623	3-37	16	2	19.0062.6.402	3-41	7	1	19.0064.6.468	3-17	40	1
19.0044.1.624	3-3	3	1	19.0062.6.403	3-59	22	2	19.0064.6.468	3-21	40	1
19.0044.1.625	3-3	27	1	19.0062.6.404	3-37	45	(1)	19.0064.6.469	3-85		
19.0044.1.626	3-49	54	1	19.0062.7.405	3-11	3	2	19.0064.6.472	3-63	26	1
19.0044.5.401	3-26	02	1	19.0062.7.406	3-41	11	1	19.0064.7.401	3-41	25	1
19.0044.5.402	3-29	23	1	19.0063.0.400	3-5	19	(1)	19.0064.7.402	3-47	13	2
19.0044.5.403	3-11	32	(1)	19.0063.3.400	3-9	10	1	19.0064.7.402	3-53	13	(2)
19.0044.5.404	3-37	31	(1)	19.0063.3.401	3-31	4	1	19.0064.7.405	3-45	20	2
19.0045.1.401	3-7	36	1	19.0063.3.402	3-49	40	1	19.0064.7.416	3-31	48*	1*
19.0045.3.400	3-11	25	1	19.0063.3.403	3-39	35	1	19.0064.7.417	3-31	37*	1*
19.0045.3.401	3-11	29	1	19.0063.3.405	3-49	40	1	19.0064.7.420	3-81	11	1
				19.0063.4.400	3-7	26	(1)	19.0064.7.423	3-49	24	1
<b>19.0051.0.409</b>				19.0063.4.401	3-5	7	(1)	19.0064.7.424	3-49	18	1
19.0051.0.409	3-3	6	1	19.0063.5.405	3-31	1	1	19.0064.8.407	3-41	6	1
19.0052.0.501	3-67	32	1	19.0063.5.406	3-47	2	2	19.0064.8.408	3-59	24	2
19.0055.1.402	3-41	42	1	19.0063.5.406	3-53	3	(2)	19.0064.8.409	3-45	4	2
19.0055.1.403	3-41	46	1	19.0063.5.410	3-49	2	2	19.0064.8.413	3-59	6	2
19.0055.2.400	3-3	26	1	19.0063.6.441	3-45	16	2	19.0064.8.414	3-41	21	1
19.0055.4.403	3-11	9	(1)	19.0063.6.442	3-26	20	1	19.0064.8.415	3-59	33	1
19.0055.4.406	3-29	12	1	19.0063.6.443	3-26	24	1	19.0064.8.419	3-59	13	1
19.0055.4.407	3-29	11	2	19.0063.6.445	3-31	24	1	19.0064.8.420	3-63	16	1
19.0055.4.408	3-41	14	3	19.0063.6.446	3-7	31	1	19.0064.8.428	3-49	31	1
19.0055.4.410	3-3	24	1	19.0063.6.447	3-31	44*	1*	19.0064.8.430	3-31	50*	1*
19.0055.4.410	3-26	06	1	19.0063.6.451	3-31	17**	1**	19.0064.8.435	3-35	8	1

Revised 04/2004

e-mail: [service@amfreece.cz](mailto:service@amfreece.cz); [parts@amfreece.cz](mailto:parts@amfreece.cz); website: [www.amfreece.com](http://www.amfreece.com)



**INDEX**

PART NUMBER	PAGE	DET	QTY	PART NUMBER	PAGE	DET	QTY	PART NUMBER	PAGE	DET	QTY
<b>19.0064.8.438</b>				<b>19.0075.4.402</b>				<b>19.0081.6.402</b>			
19.0064.8.438	3-63	33	1	19.0075.4.402	3-57	18	1	19.0081.6.402	3-75	3	1
19.0066.7.402	3-53	17	(1)					19.0081.6.403	3-75	5	1
19.0066.7.402	3-87			<b>19.0081.0.505</b>				19.0081.6.409	3-81	10	1
19.0066.7.403	3-53	18	(1)	19.0081.0.505	3-45	9	2	19.0082.1.402	3-13	39	1
19.0066.7.403	3-87			19.0081.0.506	3-45	8	2	19.0082.1.404	3-17	42	1
19.0066.7.410	3-49	13	1	19.0081.0.510	3-49	62	2	19.0082.1.404	3-21	42	1
19.0066.7.411	3-49	14	1	19.0081.0.511	3-49	41	1	19.0082.1.405	3-53	23	(1)
19.0066.7.416	3-49	13	1	19.0081.0.512	3-49	41	1	19.0082.1.406	3-11	37*	1*
19.0066.7.416	3-86			19.0081.0.513	3-49	41	1	19.0082.3.404	3-75	15	1
19.0066.7.417	3-86			19.0081.1.760	3-47	19	1	19.0082.3.407	3-15	8	1
19.0066.7.417	3-49	14	1	19.0081.1.760	3-53	50	(1)	19.0082.3.407	3-37	20	1
19.0066.7.418	3-86			19.0081.1.761	3-47	22	1	19.0082.3.410	3-21	29**	1**
19.0066.7.418	3-49	13	1	19.0081.1.761	3-53	48	(1)	19.0082.3.410	3-17	29	1
19.0066.7.419	3-86			19.0081.1.764	3-49	51	1	19.0082.3.411	3-37	11	1
19.0066.7.419	3-49	14	1	19.0081.1.765	3-49	52	1	19.0082.3.413	3-9	14	1
19.0066.7.420	3-86			19.0081.1.766	3-49	51	1	19.0082.3.416	3-21	85*	1*
19.0066.7.420	3-49	13	1	19.0081.1.767	3-49	52	1	19.0082.3.418	3-31	54*	1*
19.0066.7.421	3-86			19.0081.1.768	3-49	51	1	19.0082.3.419	3-31	34*	1*
19.0066.7.421	3-49	14	1	19.0081.1.769	3-49	52	1	19.0082.3.423	3-73	26*	1*
19.0066.8.400	3-47	8	1	19.0081.4.444	3-45	29	1	19.0082.3.423	3-73	26	3
19.0066.8.400	3-49	7	1	19.0081.4.445	3-31	41*	1*	19.0082.3.429	3-61	14	1
19.0066.8.400	3-53	9	(1)	19.0081.4.446	3-45	10	2	19.0082.3.432	3-75	15**	1**
19.0066.8.401	3-47	3	1	19.0081.4.448	3-45	13	2	19.0082.3.432	3-79	9	1
19.0066.8.401	3-49	5	1	19.0081.5.411	3-29	27	1	19.0082.3.433	3-75	1	2
19.0066.8.401	3-53	6	(1)	19.0081.5.412	3-39	18	2	19.0082.3.434	3-63	19***	(1)
19.0066.8.402	3-53	41	(1)	19.0081.5.415	3-15	12	2	19.0082.3.435	3-63	16***	(1)
19.0067.2.408	3-75	30	1	19.0081.5.418	3-75	26	1	19.0082.3.437	3-53	45	(1)
19.0067.4.401	3-26	14	1	19.0081.5.419	3-61	8	1	19.0082.3.438	3-53	39	(1)
				19.0081.5.429	3-49	17*	1*	19.0082.3.439	3-53	16	(1)
<b>19.0071.0.202</b>				19.0081.5.432	3-49	34	1	19.0082.3.441	3-65	34	(1)
19.0071.0.202	3-37	2	1	19.0081.5.433	3-47	29	1	19.0082.3.445	3-75	12	1
19.0071.3.400	3-15	4	1	19.0081.5.433	3-49	53	1	19.0082.3.446	3-63	29	1
19.0071.4.204	3-45	26	1	19.0081.5.434	3-49	34	1	19.0082.3.447	3-63	48	(1)
19.0071.7.402	3-17	54	1	19.0081.5.436	3-49	34	1	19.0082.3.448	3-63	7	1
19.0071.7.402	3-21	54	1	19.0081.5.437	3-45	30	1	19.0082.3.450	3-37	25	1
19.0072.4.403	3-39	28	1	19.0081.5.438	3-49	34	1	19.0082.6.415	3-47	17	1
19.0074.4.523	3-41	28	1	19.0081.5.440	3-47	26	1	19.0082.6.416	3-47	10	1
19.0074.4.526	3-59	40	2	19.0081.5.441	3-49	38**	1**	19.0082.6.420	3-21	72*	1*
19.0074.4.527	3-31	21	1	19.0081.5.447	3-53	51	(1)	19.0082.6.421	3-49	60	1
19.0074.4.530	3-31	47*	1*	19.0081.5.448	3-53	69	(1)	19.0082.6.421	3-53	72	(1)
19.0074.4.535	3-31	21**	1**	19.0081.5.449	3-47	25	2	19.0082.6.422	3-49	59	1
19.0074.4.535	3-79	6	1	19.0081.5.449	3-49	38	2	19.0082.6.422	3-53	71	(1)
19.0074.4.536	3-41	31	1	19.0081.5.449	3-49	38**	1**	19.0082.6.426	3-53	38	(1)
19.0074.6.211	3-57	26	1	19.0081.5.449	3-53	57	(2)	19.0082.6.427	3-53	20	(1)
19.0074.6.212	3-57	13	1	19.0081.5.451	3-53	34	(1)	19.0082.6.431	3-31	60**	1**
19.0074.6.213	3-57	1	1	19.0081.5.452	3-53	32	(1)	19.0082.6.431	3-79	3	1
19.0074.6.215	3-49	19	1	19.0081.5.453	3-53	42	(1)	19.0082.6.432	3-53	36	(1)
19.0074.6.216	3-37	3	1	19.0081.5.456	3-63	36	1	19.0083.1.671	3-31	61*	1*
19.0074.6.222	3-57	27	1	19.0081.5.457	3-63	20	1	19.0083.1.672	3-45	2	1

Revised 04/2004

e-mail: [service@amfreece.cz](mailto:service@amfreece.cz); [parts@amfreece.cz](mailto:parts@amfreece.cz); website: [www.amfreece.com](http://www.amfreece.com)

Phones: +420 582 309 146 (Service), +420 582 309 286 (Spare Parts); Fax: +420 582 360 606

# INDEX

PART NUMBER	PAGE	DET	QTY	PART NUMBER	PAGE	DET	QTY	PART NUMBER	PAGE	DET	QTY
<b>19.0083.1.673</b>				<b>19.0095.1.405</b>							
19.0083.1.673	3-45	3	1	19.0095.1.405	3-39	16	2				
19.0083.1.674	3-65	22	1	19.0095.1.405	3-39	29	4				
19.0083.1.676	3-71	19	1	19.0095.1.405	3-63	28***	(1)				
19.0083.4.007	3-11	22	2	19.0095.2.400	3-31	43*	1*				
19.0083.4.008	3-79	29	(1)	19.0095.2.402	3-65	5	1				
19.0083.4.009	3-79	28	(1)	19.0095.3.404	3-57	44	1				
19.0083.4.021	3-57	25	1	19.0095.3.407	3-57	28	1				
19.0083.7.002	3-67	10	(1)								
19.0083.9.402	3-37	44	1	<b>19.8001.0.001</b>							
19.0084.0.404	3-37	36	1	19.8001.0.001	3-73	21	1				
19.0087.0.400	3-82	14		19.8001.0.003	3-73	19	1				
19.0087.0.401	3-82	13		19.8001.0.005	3-67	5	(1)				
19.0087.0.402	3-82	13		19.8001.0.006	3-73	6	1				
19.0087.0.403	3-82	13									
19.0087.0.404	3-82	13		<b>22.2637.0.000</b>							
19.0087.0.420	3-81	12	1	22.2637.0.000	3-45	5	2				
19.0087.0.420	3-21	30*	1*								
19.0087.0.424	3-53	27	(1)	<b>24.0059.9.058</b>							
19.0087.0.431	3-87			24.0059.9.058	3-71	8	1				
19.0087.0.432	3-87			24.0059.9.068	3-71	11	(1)				
19.0087.0.433	3-87			24.0097.0.000	3-71	14	(1)				
19.0087.0.434	3-87			24.0134.0.000	3-73	29*	1*				
19.0087.0.435	3-87			24.4019.0.000	3-67	11	(1)				
<b>19.0091.0.402</b>				<b>39.0094.5.002</b>							
19.0091.0.402	3-65	4	1	39.0094.5.002	3-15	13	1				
19.0094.0.404	3-75	4	1								
19.0094.0.410	3-53	26	(1)								
19.0094.0.411	3-49	63	1								
19.0094.1.400	3-39	5	2								
19.0094.2.400	3-15	5	1								
19.0094.2.406	3-61	31	(1)								
19.0094.2.408	3-61	34	1								
19.0094.2.409	3-15	6	6								
19.0094.2.409	3-37	23	8								
19.0094.2.410	3-67	61	1								
19.0094.5.401	3-15	21	1								
19.0094.5.402	3-15	19	1								
19.0094.5.403	3-15	7	1								
19.0094.5.404	3-37	17	1								
19.0094.5.405	3-37	21	1								
19.0094.5.406	3-37	15	1								
19.0094.5.407	3-37	12	1								
19.0094.5.408	3-37	24	1								
19.0094.5.409	3-37	42	2								
19.0095.1.400	3-39	8	2								
19.0095.1.402	3-39	6	2								
19.0095.1.403	3-39	11	1								
19.0095.1.405	3-67	59	4								

Revised 04/2004

e-mail: [service@amfreece.cz](mailto:service@amfreece.cz); [parts@amfreece.cz](mailto:parts@amfreece.cz); website: [www.amfreece.com](http://www.amfreece.com)