

Illustrated Parts List

Buttonhole Machines

Series S3



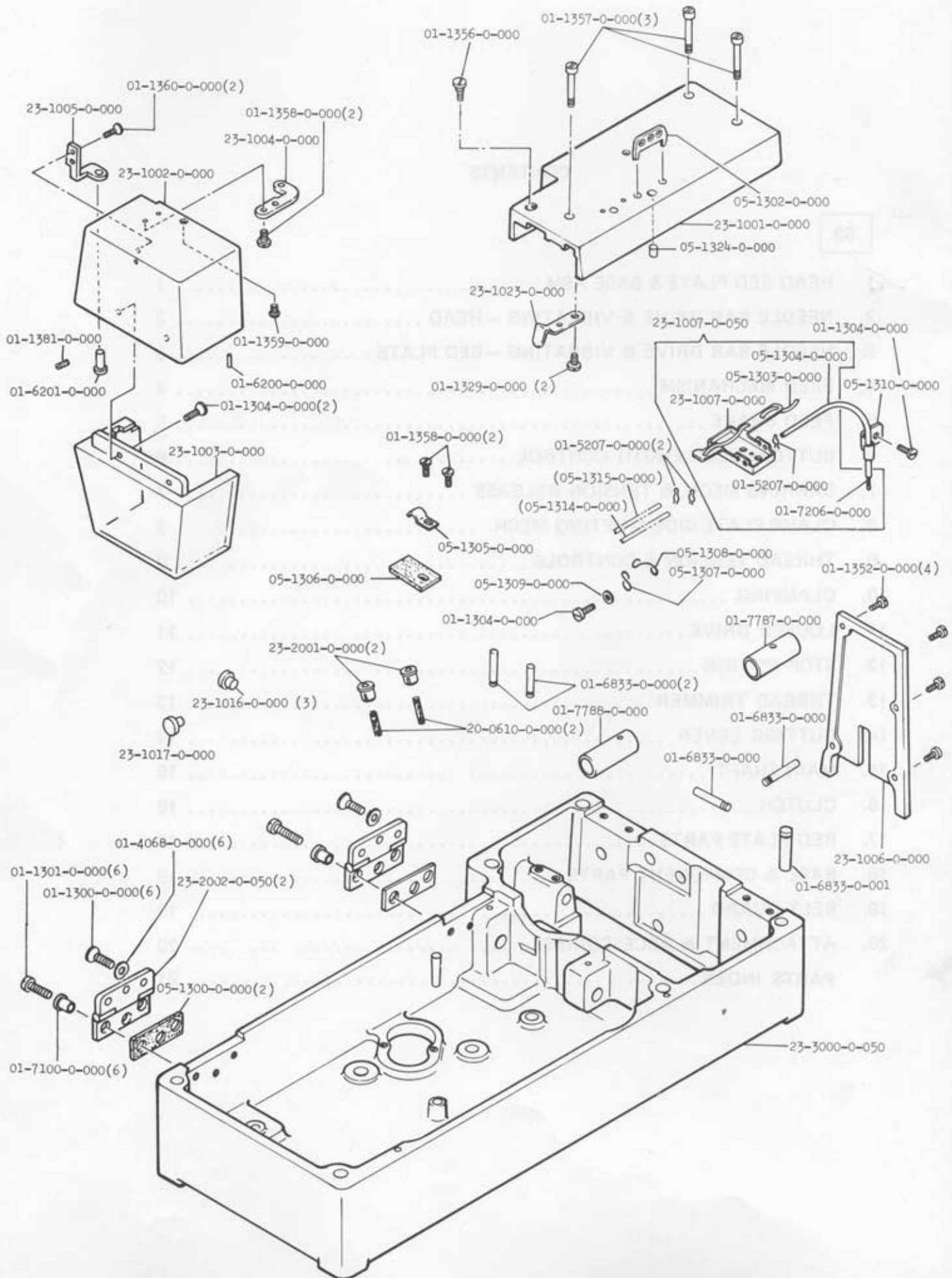
REECE

CONTENTS

S3

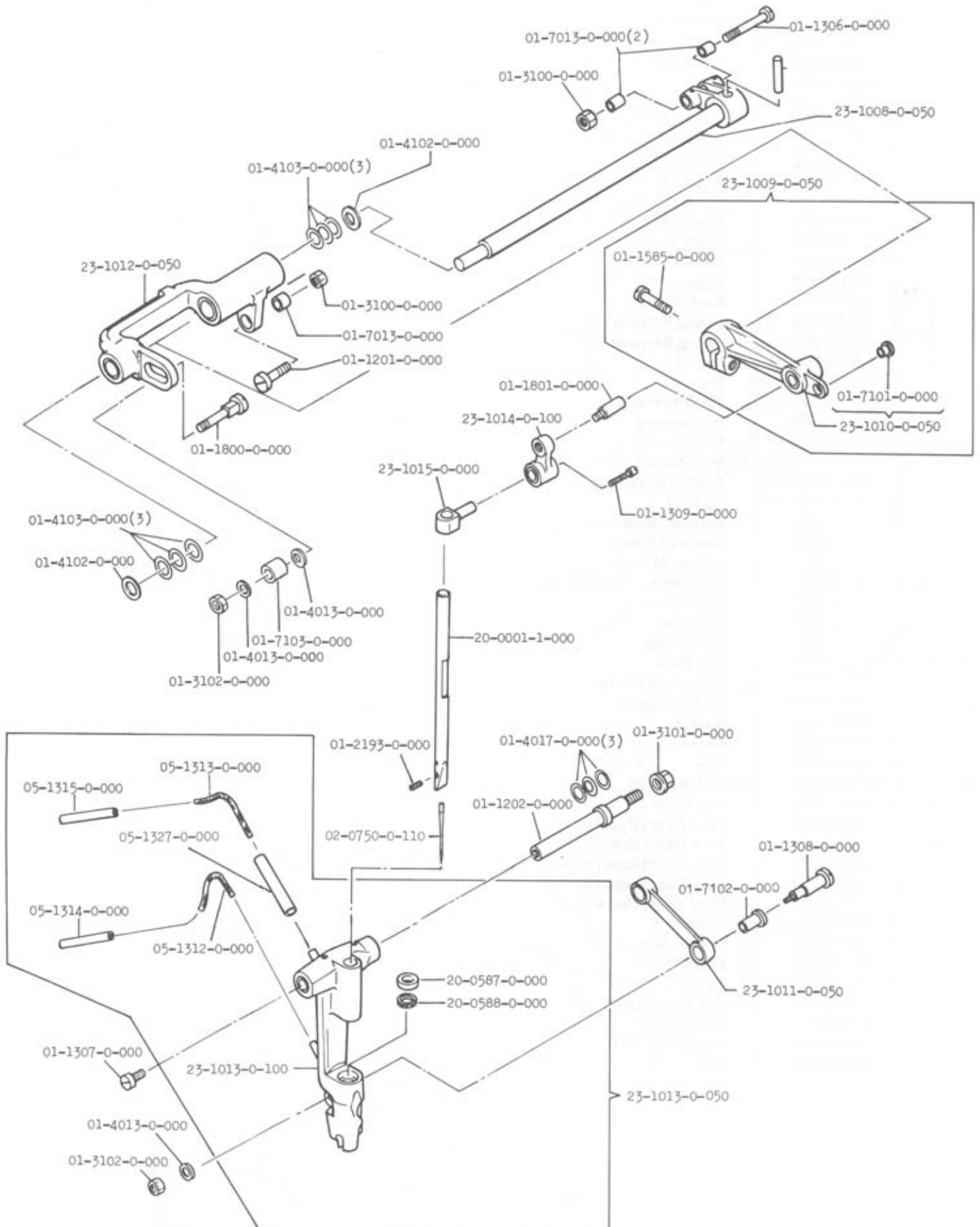
1.	HEAD BED PLATE & BASE ASM.	1
2.	NEEDLE BAR DRIVE & VIBRATING – HEAD	2
3.	NEEDLE BAR DRIVE & VIBRATING – BED PLATE	3
4.	FEED MECHANISM	4
5.	FEED BRAKE	5
6.	BUTTONHOLE LENGTH CONTROL	6
7.	BARRING MECH. & TENSION RELEASE	7
8.	CLAMP PLATE SIDE SHIFTING MECH.	8
9.	THREAD TENSION & CONTROLS	9
10.	CLAMPING	10
11.	LOOPER DRIVE	11
12.	STOP MOTION	12
13.	THREAD TRIMMER	13
14.	CUTTING LEVER	14
15.	MAIN SHAFT	15
16.	CLUTCH	16
17.	BED PLATE PARTS	17
18.	BASE & COMPONENT PARTS	18
19.	BELT GUARD	19
20.	ATTACHMENT & ACCESSORIES	20
	PARTS INDEX	21

1. HEAD BED PLATE & BASE ASM



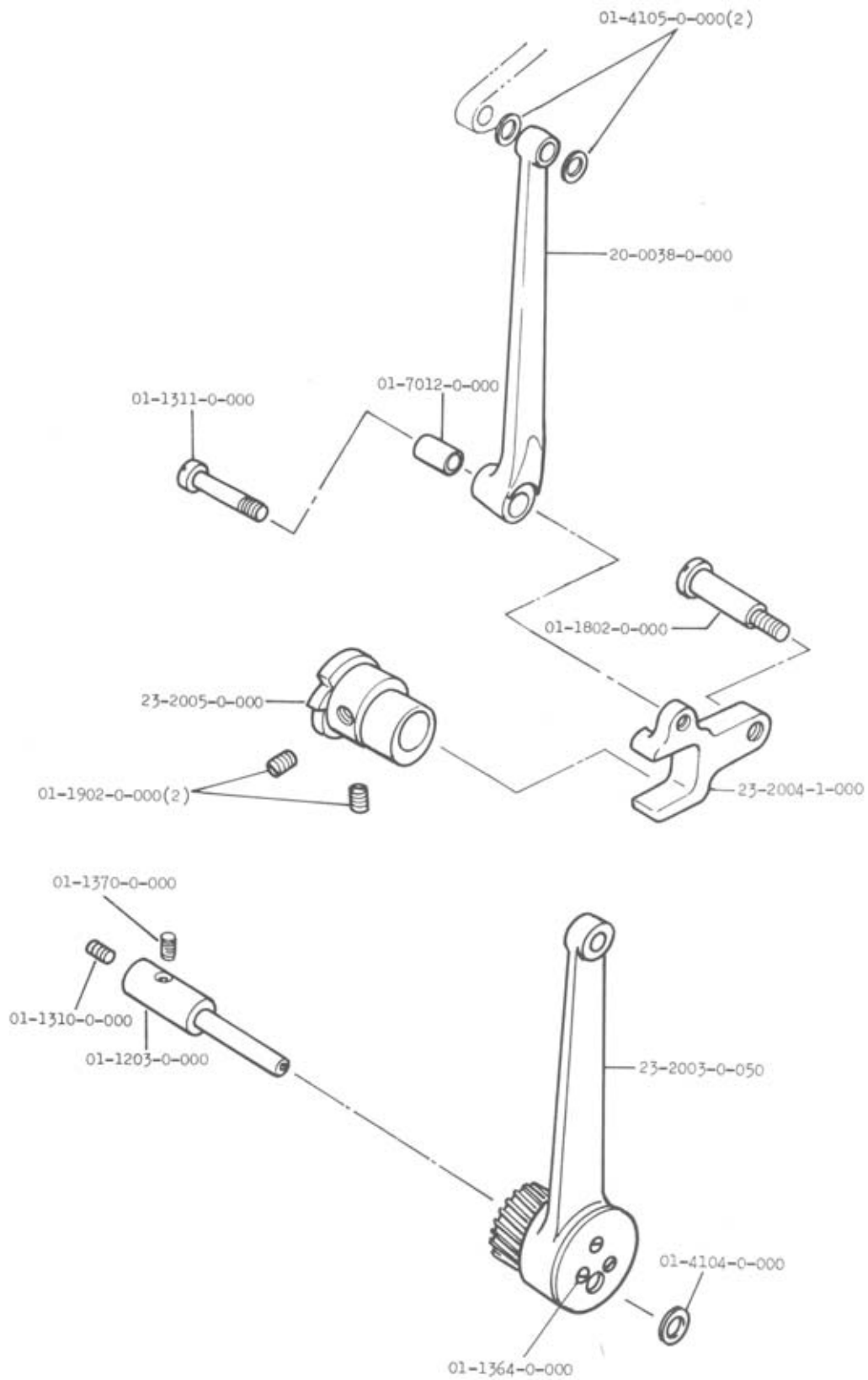
No.	Description
01-1300-0-000	Screw (6)
01-1301-0-000	Screw (6)
01-1304-0-000	Screw (2)
01-1304-0-000	Screw
01-1304-0-000	Screw
01-1329-0-000	Screw (2)
01-1352-0-000	Screw (4)
01-1356-0-000	Screw
01-1357-0-000	Screw (3)
01-1358-0-000	Screw (2)
01-1358-0-000	Screw (2)
01-1359-0-000	Screw
01-1360-0-000	Screw (2)
01-1381-0-000	Screw
01-4068-0-000	Washer (6)
01-5207-0-000	Spring Retainer
01-5207-0-000	Spring Retainer (2)
01-6200-0-000	Pin
01-6201-0-000	Pin
01-6833-0-000	Pin-Grooved (2)
01-6833-0-000	Pin-Grooved
01-6833-0-000	Pin-Grooved
01-6833-0-001	Pin-Grooved
01-7100-0-000	Rubber Bushing (6)
01-7206-0-000	Oil Wick
01-7787-0-000	Bushing (Back)
01-7788-0-000	Bushing (Front)
05-1300-0-000	Rubber Mat (2)
* 05-1302-0-000	Top Cover Thread Eyelet
05-1303-0-000	Oil Wick
05-1304-0-000	Oil Tube
05-1305-0-000	Felt Holder
05-1306-0-000	Felt Wick
05-1307-0-000	Oil Tube Retainer
05-1308-0-000	Oil Wick Guide
05-1309-0-000	Washer
05-1310-0-000	Holder
05-1324-0-000	Pipe
20-0610-0-000	Felt Wick (2)
23-1001-0-000	Top Cover
23-1002-0-000	Face Plate (Upper)
23-1003-0-000	Face Plate (Lower)
23-1004-0-000	Face Plate Hinge (Upper)
23-1005-0-000	Face Plate Hinge (Lower)
23-1006-0-000	Head Cover (Back)
23-1007-0-000	Holder
23-1007-0-050	Holder Asm.
23-1016-0-000	Plug (3)
23-1017-0-000	Plug
23-1023-0-000	Top Cover Latch
23-2001-0-000	Oil Well (2)
23-2002-0-050	Hinge Asm. (2)
23-3000-0-050	Base

2. NEEDLE BAR DRIVE & VIBRATING – HEAD



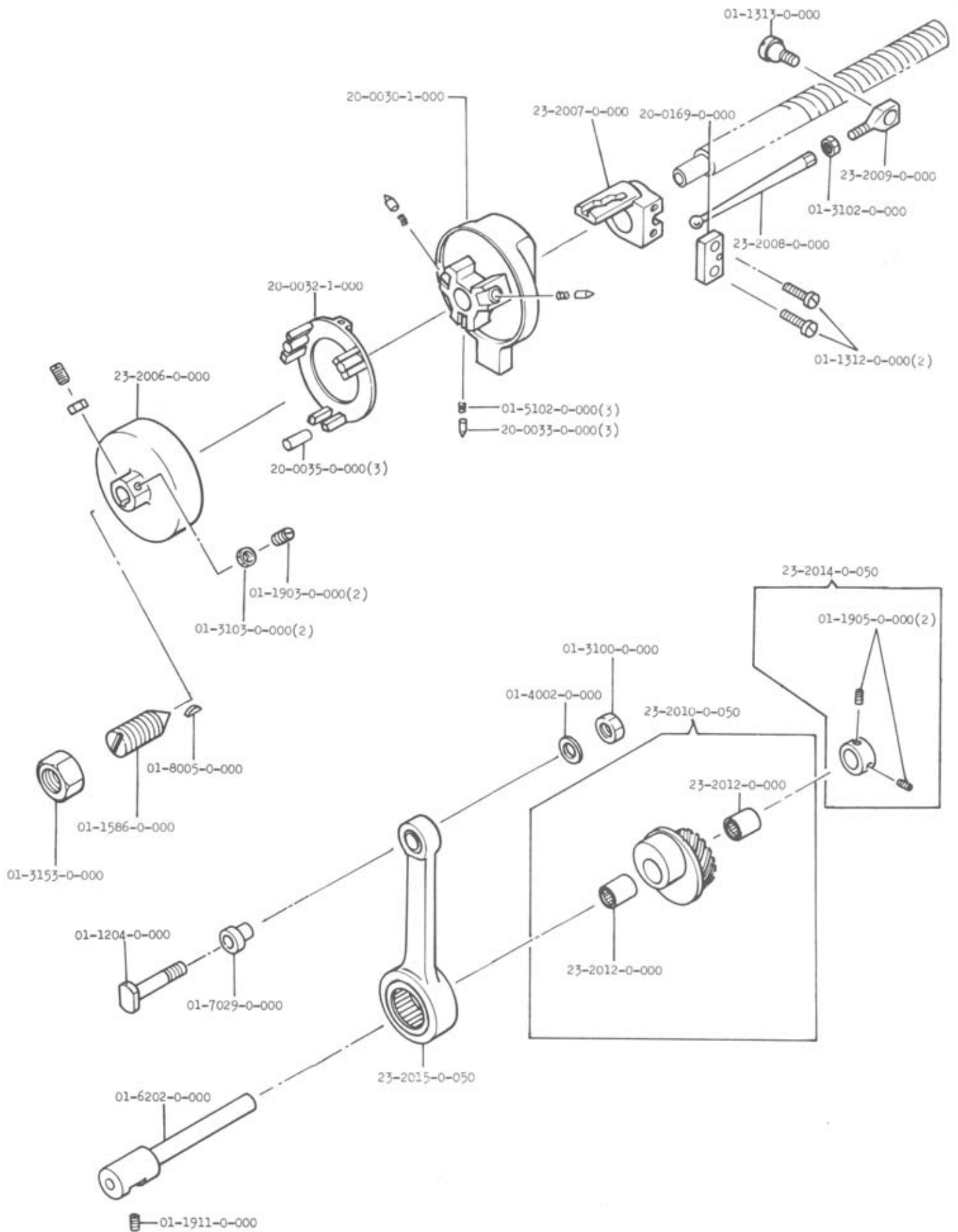
No.	Description
01-1201-0-000	Stud
01-1202-0-000	Stud
01-1306-0-000	Screw
01-1307-0-000	Screw
01-1308-0-000	Eccentric Screw
01-1309-0-000	Screw
01-1585-0-000	Screw
01-1800-0-000	Shoulder Screw
01-1801-0-000	Shoulder Screw
01-2193-0-000	Set Screw
01-3100-0-000	Nut
01-3100-0-000	Nut
01-3101-0-000	Nut
01-3102-0-000	Nut
01-3102-0-000	Nut
01-4013-0-000	Washer
01-4013-0-000	Washer (2)
01-4017-0-000	Shim (3)
01-4102-0-000	Washer (2)
01-4103-0-000	Washer (6)
01-7013-0-000	Bushing
01-7013-0-000	Bushing (2)
01-7101-0-000	Bushing
01-7102-0-000	Bushing
01-7103-0-000	Bushing
02-0750-0-110	Needle
05-1312-0-000	Oil Wick
05-1313-0-000	Oil Wick
05-1314-0-000	Oil Tube (Long)
05-1315-0-000	Oil Tube (Middle)
05-1327-0-000	Oil Tube (Short)
20-0001-1-000	Needle Bar
20-0587-0-000	Wick Cover
20-0588-0-000	Wick
23-1008-0-050	Shaft Asm.
23-1009-0-050	Drive Lever and Screw Asm.
23-1010-0-050	Drive Lever Asm.
23-1011-0-050	Link Asm.
23-1012-0-050	Rocker Comp.
23-1013-0-050	Rocker Asm.
23-1013-0-100	Rocker Comp.
23-1014-0-100	Link Comp.
23-1015-0-000	Clamp

3. NEEDLE BAR DRIVE & VIBRATING – BED PLATE



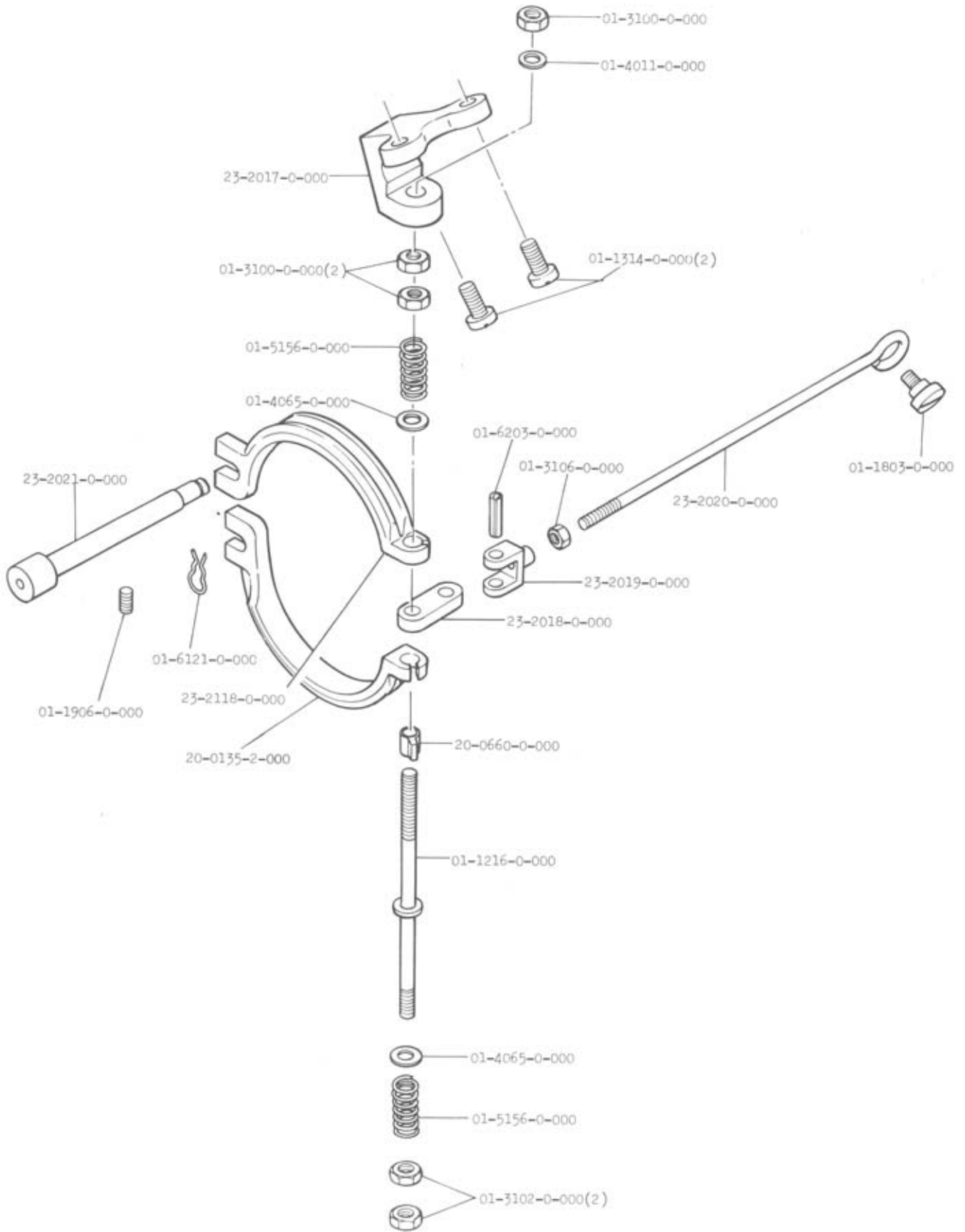
No.	Description
01-1203-0-000	Stud
01-1310-0-000	Screw
01-1311-0-000	Screw
01-1364-0-000	Screw (3)
01-1370-0-000	Set Screw
01-1802-0-000	Shoulder Screw
01-1902-0-000	Set Screw (2)
01-4104-0-000	Washer
01-4105-0-000	Washer (2)
01-7012-0-000	Bushing
20-0038-0-000	Link
23-2003-0-050	Small Gear & Link Asm.
23-2004-1-000	Bite Cam Follower
23-2005-0-000	Bite Cam

4. FEED MECHANISM



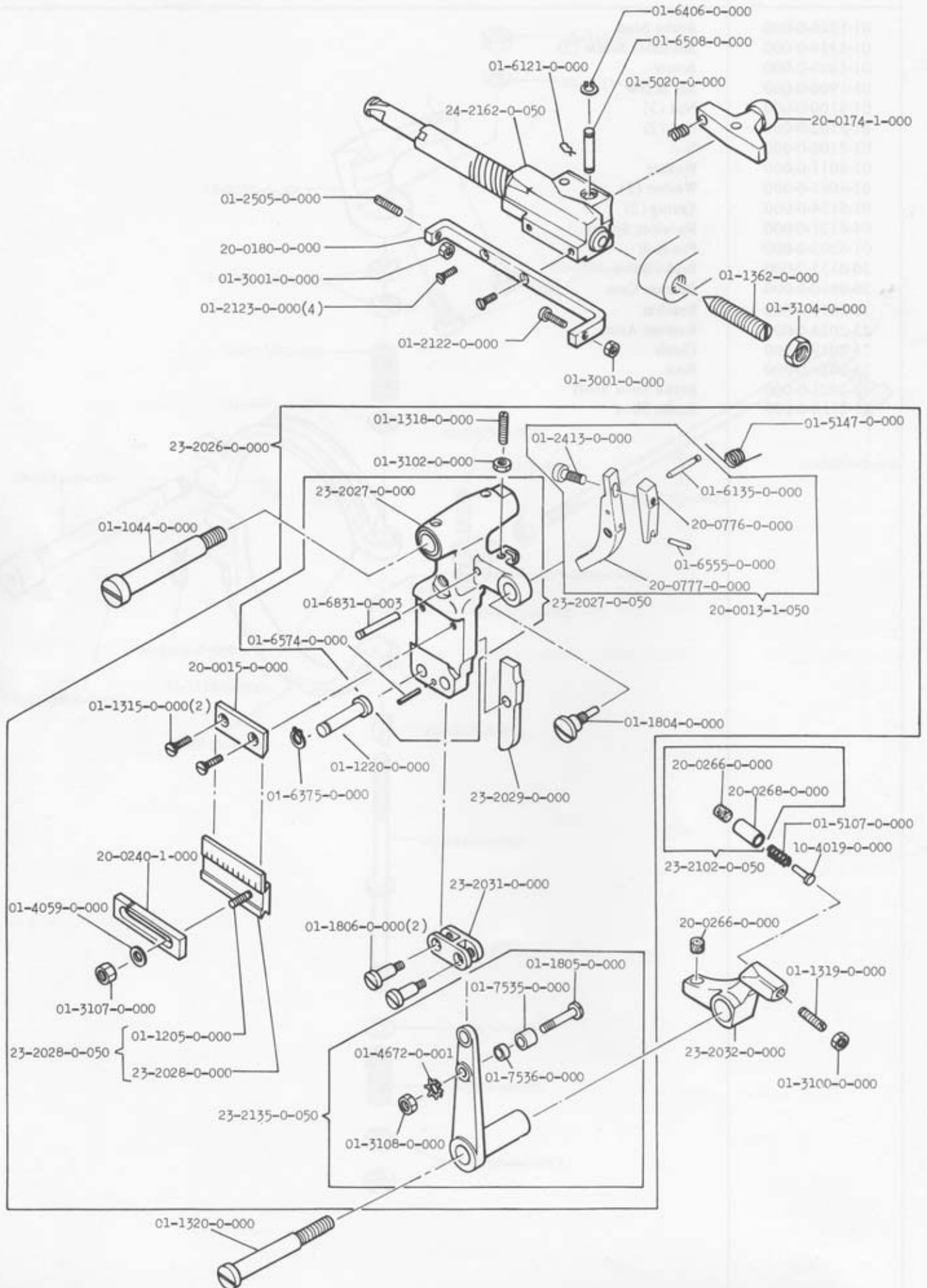
No.	Description
01-1204-0-000	Stud Screw
01-1312-0-000	Screw (2)
01-1313-0-000	Ball Screw
01-1586-0-000	Bearing Screw
01-1903-0-000	Set Screw (2)
01-1905-0-000	Set Screw (2)
01-1911-0-000	Set Screw
01-3100-0-000	Nut
01-3102-0-000	Nut
01-3103-0-000	Nut (2)
01-3153-0-000	Lock Nut
01-4002-0-000	Washer
01-5102-0-000	Spring (3)
01-6202-0-000	Support Pin
01-7029-0-000	Bushing
01-8005-0-000	Key
20-0030-0-000	Feed Cage
20-0030-1-000	Feed Cage Asm.
20-0032-1-000	Shifter Ring Asm.
20-0033-0-000	Race Plunger (3)
20-0035-0-000	Roller (3)
20-0169-0-000	Bearing Cap
23-2006-0-000	Feed Drum
23-2007-0-000	Shifter.
23-2008-0-000	Connecting Rod
23-2009-0-000	Link
23-2010-0-050	Eccentric and Gear
23-2012-0-000	Bearing-Feed Eccentric (2)
23-2014-0-050	Collar Asm.
23-2015-0-050	Connecting Link Asm.

5. FEED BRAKE



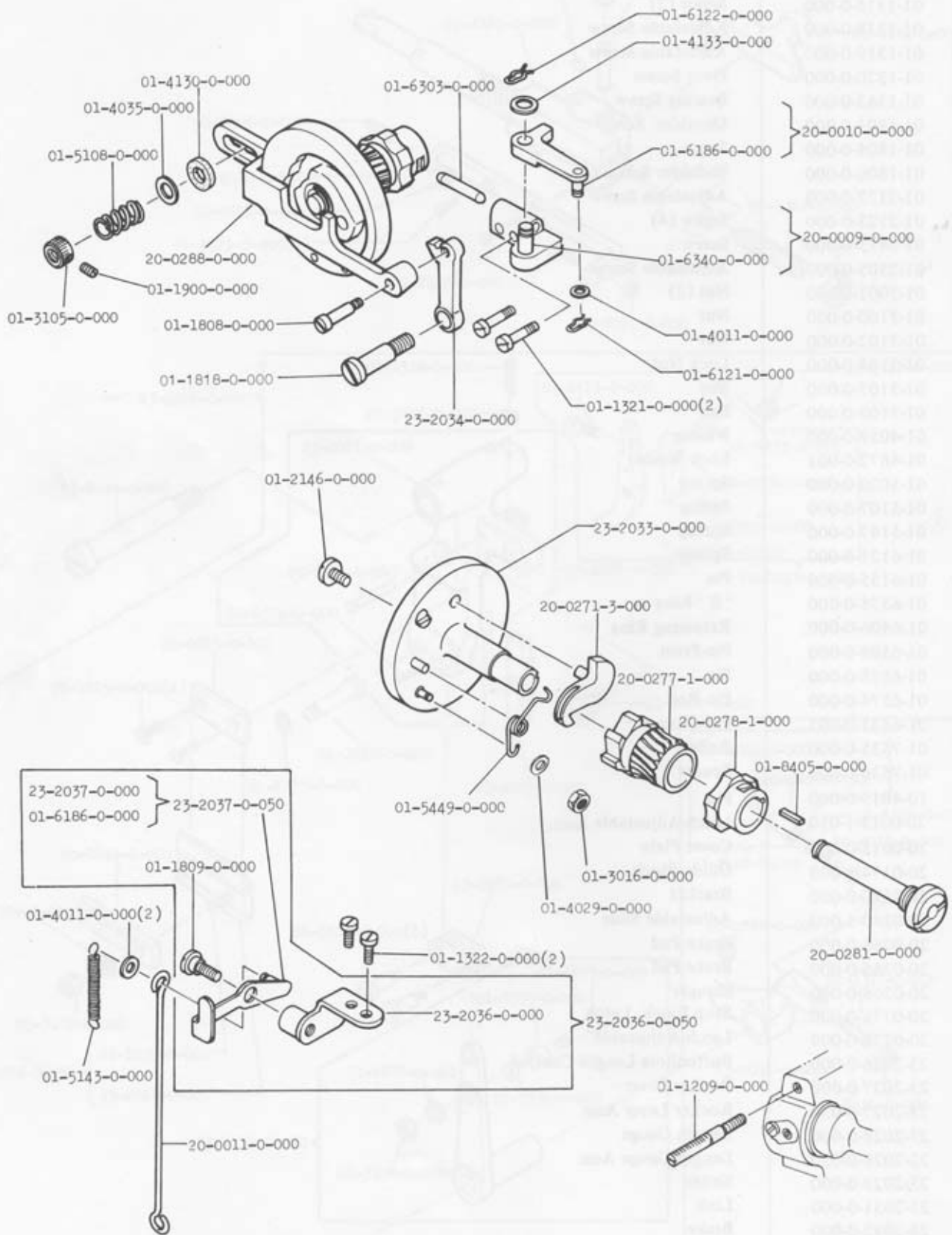
No.	Description
01-1216-0-000	Brake Stud
01-1314-0-000	Shoulder Screw (2)
01-1803-0-000	Screw
01-1906-0-000	Set Screw
01-3100-0-000	Nut (3)
01-3102-0-000	Nut (2)
01-3106-0-000	Nut
01-4011-0-000	Washer
01-4065-0-000	Washer (2)
01-5156-0-000	Spring (2)
01-6121-0-000	Retainer Spring
01-6203-0-000	Pin-Roll
20-0135-2-000	Brake Shoe
20-0660-0-000	Release Cam
23-2017-0-000	Bracket
23-2018-0-000	Release Asm.
23-2019-0-000	Clevis
23-2020-0-000	Rod
23-2021-0-000	Brake Shoe Shaft
23-2118-0-000	Brake Shoe

6. BUTTONHOLE LENGTH CONTROL



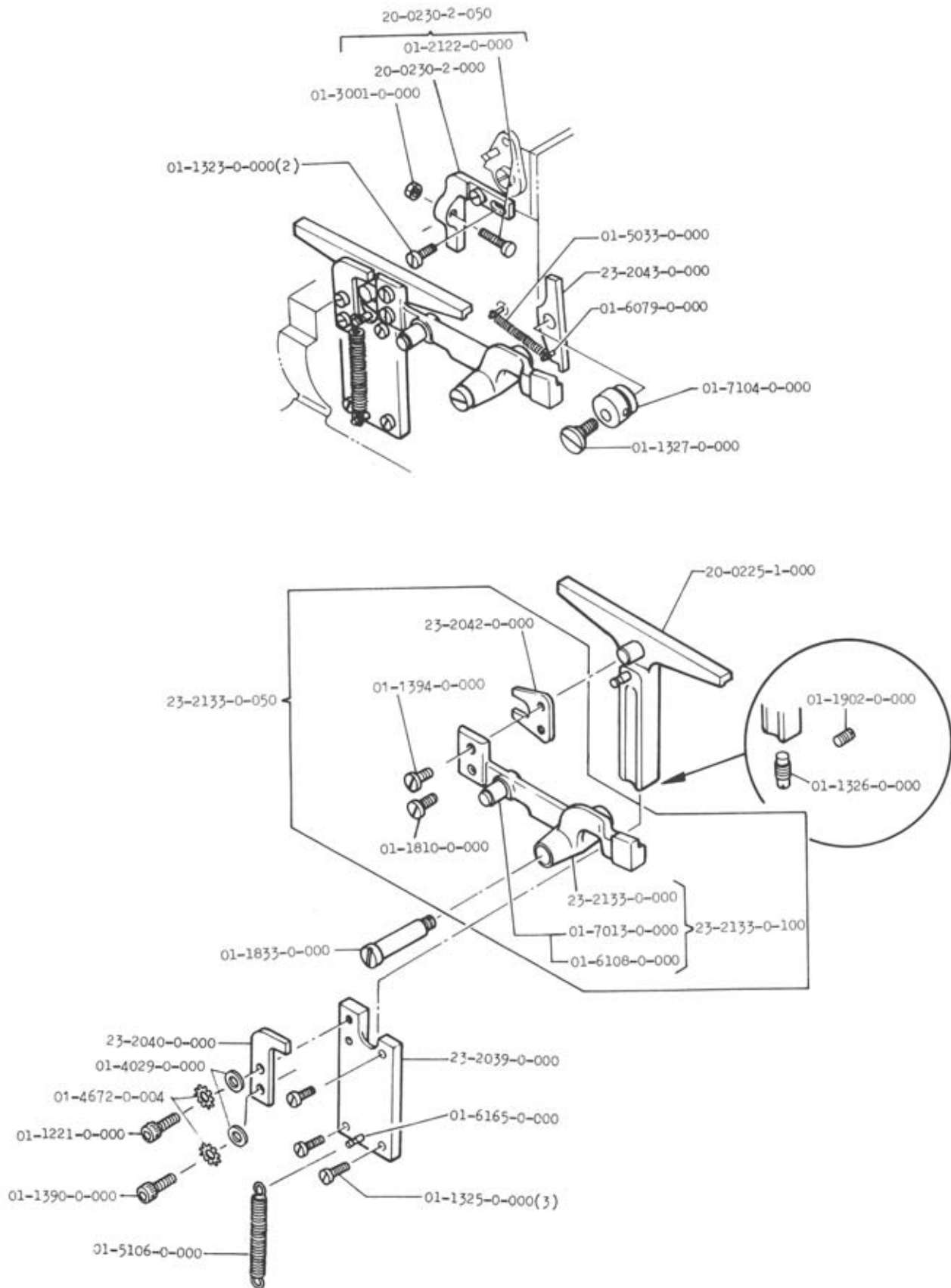
No.	Description
01-1044-0-000	Pivot Screw
01-1205-0-000	Stud Screw
01-1220-0-000	Stud
01-1315-0-000	Screw (2)
01-1318-0-000	Adjustable Screw
01-1319-0-000	Adjustable Screw
01-1320-0-000	Pivot Screw
01-1362-0-000	Bearing Screw
01-1804-0-000	Shoulder Screw
01-1805-0-000	Screw
01-1806-0-000	Shoulder Screw (2)
01-2122-0-000	Adjustable Screw
01-2123-0-000	Screw (4)
01-2413-0-000	Screw
01-2505-0-000	Adjustable Screw
01-3001-0-000	Nut (2)
01-3100-0-000	Nut
01-3102-0-000	Nut
01-3104-0-000	Lock Nut
01-3107-0-000	Nut
01-3108-0-000	Nut
01-4059-0-000	Washer
01-4672-0-001	Lock Washer
01-5020-0-000	Spring
01-5107-0-000	Spring
01-5147-0-000	Spring
01-6121-0-000	Spring
01-6135-0-000	Pin
01-6375-0-000	' E ' Ring
01-6406-0-000	Retaining Ring
01-6508-0-000	Pin-Pivot
01-6555-0-000	Pin
01-6574-0-000	Pin-Roll
01-6831-0-003	Pin-Gloove
01-7535-0-000	Roller
01-7536-0-000	Spacer
10-4019-0-000	Pin
20-0013-1-050	Latch-Adjustable Asm.
20-0015-0-000	Cover Plate
20-0174-1-000	Guide Block
20-0180-0-000	Bracket
20-0240-1-000	Adjustable Slide
20-0266-0-000	Brake Pad
20-0266-0-000	Brake Pad
20-0268-0-000	Plunger
20-0776-0-000	Stop Block, Latch
20-0777-0-000	Latch-Adjustable.
23-2026-0-000	Buttonhole Length Control
23-2027-0-000	Rocker Lever
23-2027-0-050	Rocker Lever Asm.
23-2028-0-000	Length Gauge
23-2028-0-050	Length Gauge Asm.
23-2029-0-000	Shiter
23-2031-0-000	Link
23-2032-0-000	Brake
23-2102-0-050	Plunger Asm.
23-2135-0-050	Lever Asm.
24-2162-0-050	Feed Screw and Feed Block

7. BARRING MECH. & TENSION RELEASE



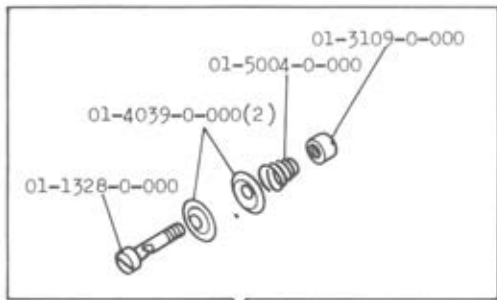
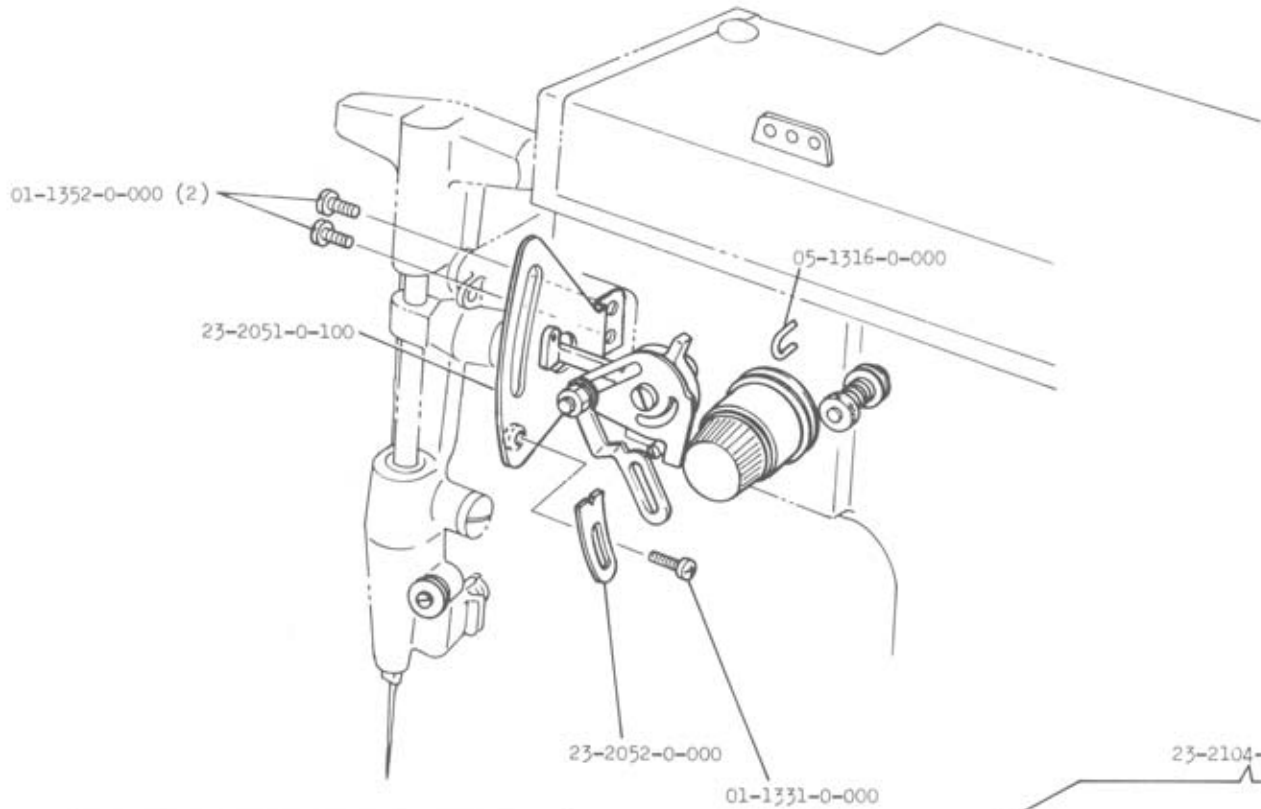
No.	Description
01-1209-0-000	Stud
01-1321-0-000	Screw (2)
01-1322-0-000	Screw (2)
01-1808-0-000	Shoulder Screw
01-1809-0-000	Shoulder Screw
01-1818-0-000	Shoulder Screw
01-1900-0-000	Set Screw
01-2146-0-000	Screw
01-3016-0-000	Nut
01-3105-0-000	Nut-Round
01-4011-0-000	Washer (2)
01-4011-0-000	Washer
01-4029-0-000	Washer
01-4035-0-000	Washer
01-4130-0-000	Friction Washer
01-4133-0-000	Washer
01-5108-0-000	Spring
01-5143-0-000	Spring
01-5449-0-000	Spring
01-6121-0-000	Spring
01-6122-0-000	Cotter Pin
01-6186-0-000	Stud
01-6186-0-000	Stud
01-6303-0-000	Pin
01-6340-0-000	Stud
01-8405-0-000	Key
20-0009-0-000	Bracket Asm.
20-0010-0-000	Lever Asm.
20-0011-0-000	Release Rod
20-0271-3-000	Pawl
20-0277-1-000	Worm Gear
20-0278-1-000	Bearing Cam
20-0281-0-000	Bearing Stud
20-0288-0-000	Shifting Lever
23-2033-0-000	Feed Reversing Cam
23-2034-0-000	Pawl Stop Lever
23-2036-0-000	Release Lever Bracket
23-2036-0-050	Release Lever Bracket Asm.
23-2037-0-000	Release Lever
23-2037-0-050	Release Lever Asm.

8. CLAMP PLATE SIDE SHIFTING MECH

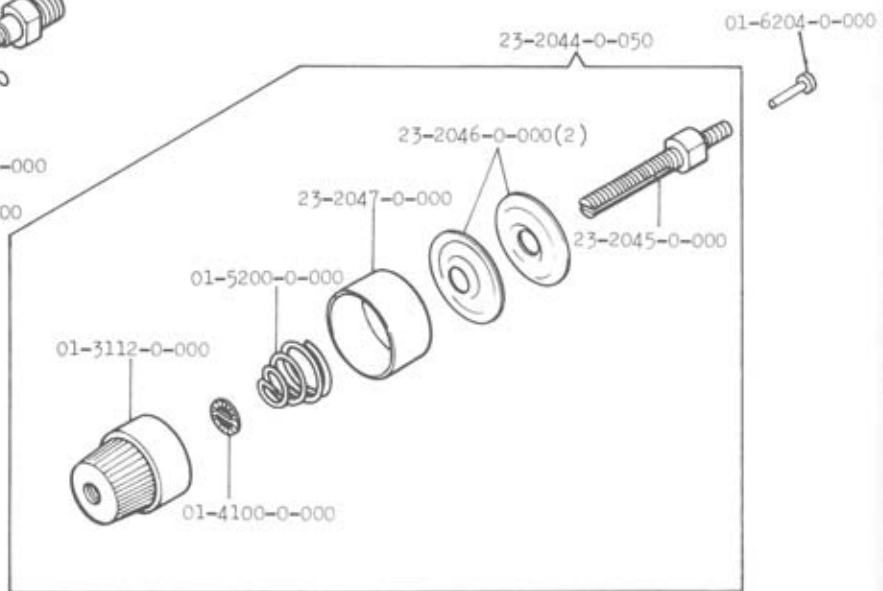
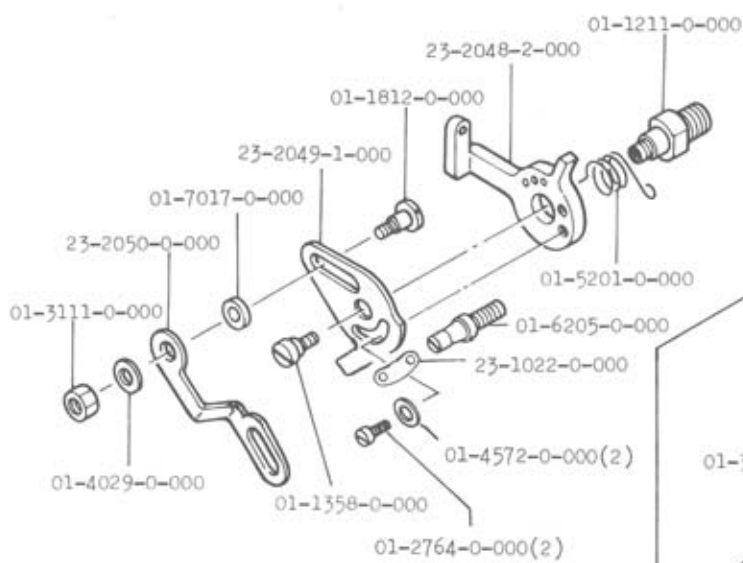
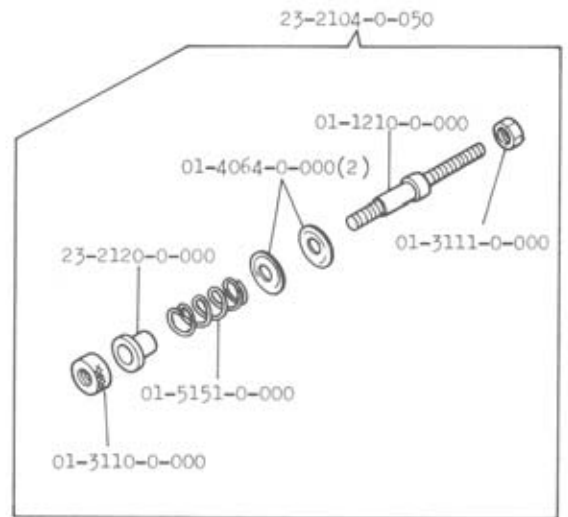


No.	Description
01-1221-0-000	Screw
01-1323-0-000	Screw (2)
01-1325-0-000	Screw (3)
01-1326-0-000	Screw
01-1327-0-000	Screw
01-1390-0-000	Screw
01-1394-0-000	Screw
01-1810-0-000	Shoulder Screw
01-1833-0-000	Shoulder Screw
01-1902-0-000	Set Screw
01-2122-0-000	Screw
01-3001-0-000	Nut
01-4029-0-000	Washer (2)
01-4672-0-004	Washer (2)
01-5033-0-000	Spring
01-5106-0-000	Spring
01-6079-0-000	Anchor Pin
01-6108-0-000	Stud
01-6165-0-000	Anchor Pin
01-7013-0-000	Roll
01-7104-0-000	Eccentric Bushing
20-0225-1-000	Tee Piece Asm.
20-0230-2-000	Adjustable Stop
20-0230-2-050	Adjustable Stop Asm.
23-2039-0-000	Cover Plate
23-2040-0-000	Stop
23-2042-0-000	Adjusting Finger
23-2043-0-000	Latch Asm.
23-2133-0-000	Finger Lever
23-2133-0-050	Finger Lever Asm.
23-2133-0-100	Finger Lever Stud Asm.

9. THREAD TENSION & CONTROLS

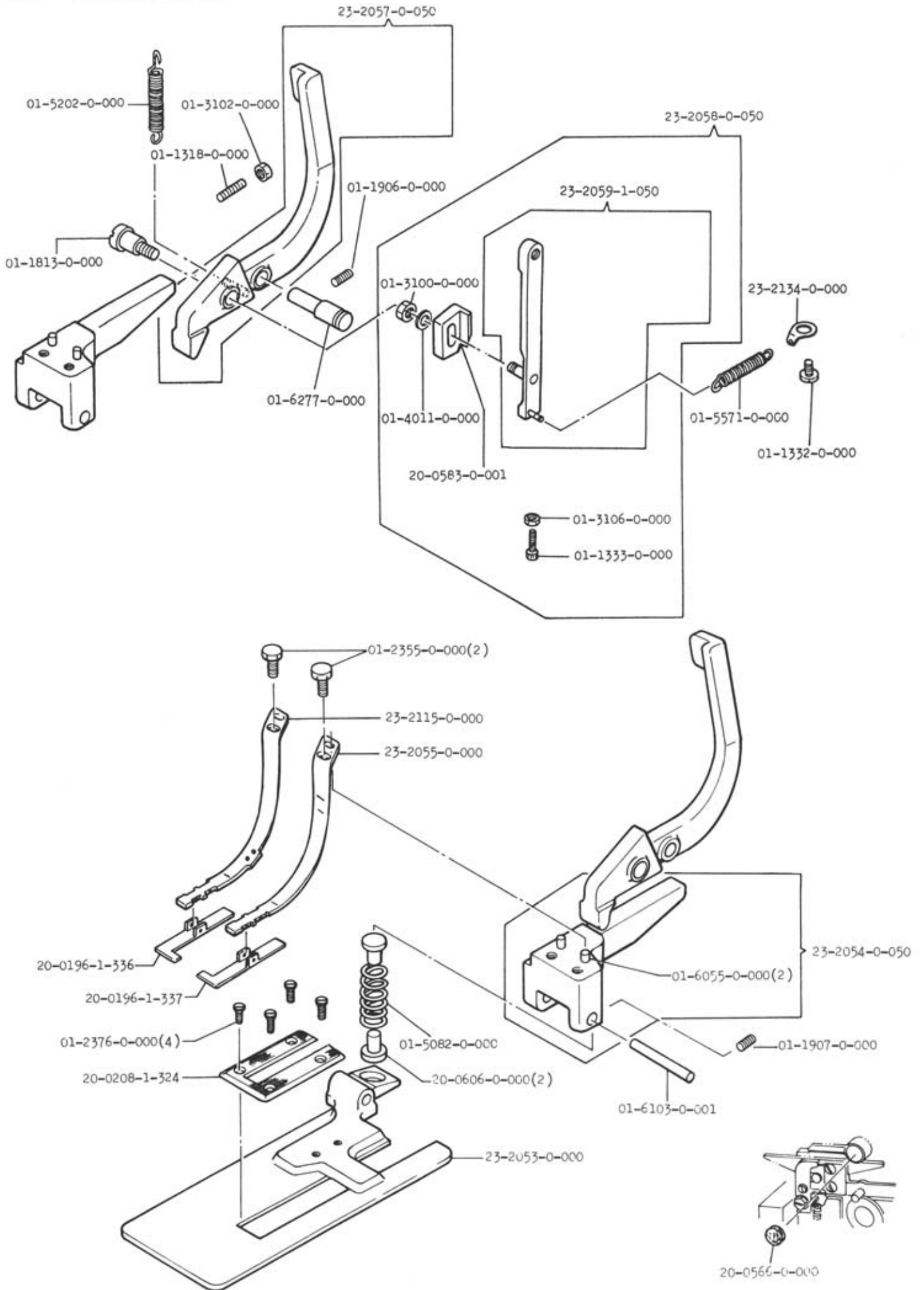


23-1018-0-050



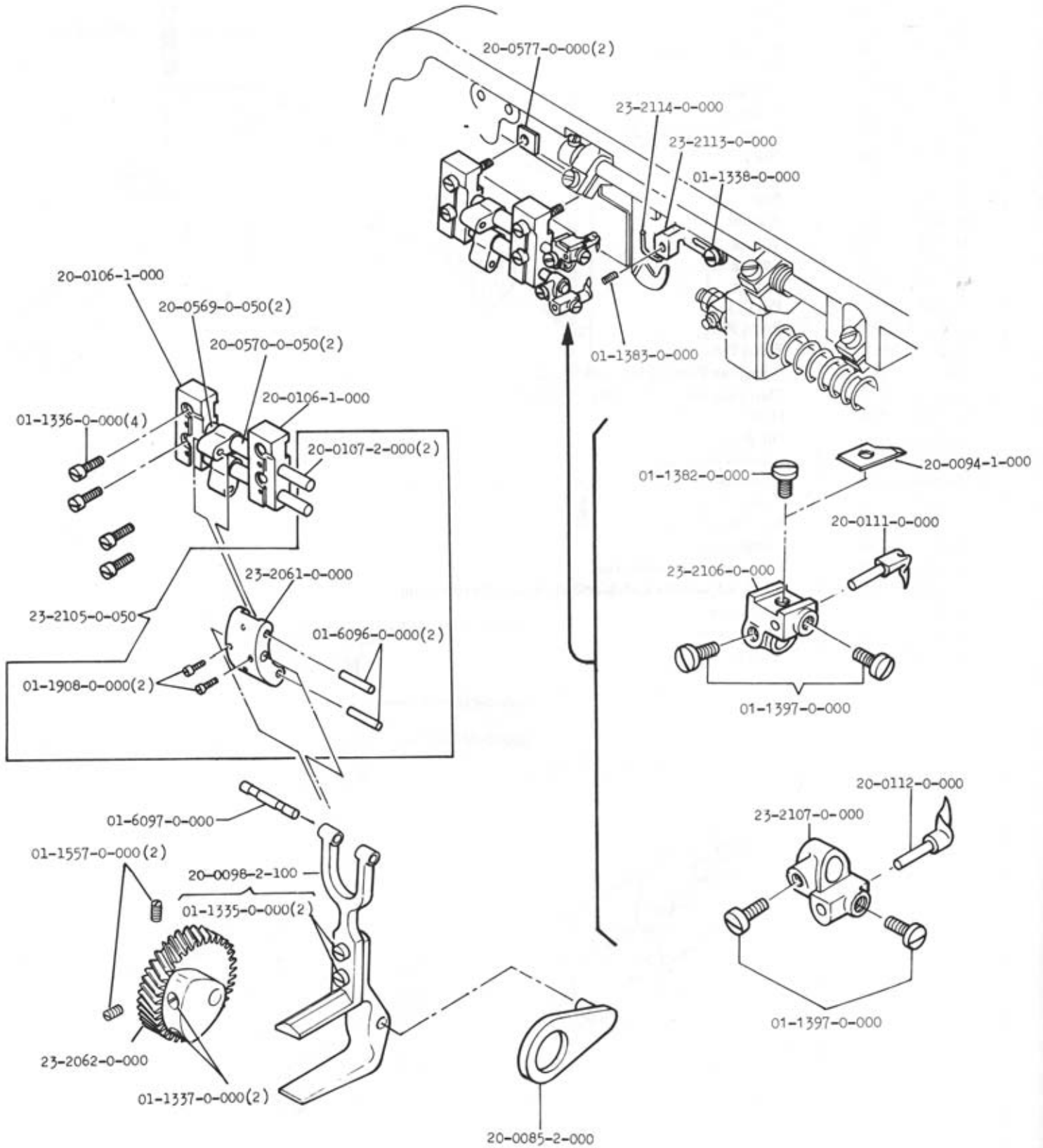
No.	Description
01-1210-0-000	Tension Stud
01-1211-0-000	Stud
01-1328-0-000	Screw
01-1331-0-000	Screw
01-1352-0-000	Screw (2)
01-1358-0-000	Screw
01-1812-0-000	Screw
01-2764-0-000	Screw (2)
01-3109-0-000	Round Nut
01-3110-0-000	Adjustable Nut
01-3111-0-000	Nut
01-3111-0-000	Nut
01-3112-0-000	Nut
01-4029-0-000	Washer
01-4039-0-000	Tension Disc (2)
01-4064-0-000	Tension Disc (2)
01-4100-0-000	Washer
01-4572-0-000	Washer (2)
01-5004-0-000	Spring
01-5151-0-000	Spring
01-5200-0-000	Spring
01-5201-0-000	Spring
01-6204-0-000	Pin
01-6205-0-000	Pin
01-7017-0-000	Bushing
05-1316-0-000	Thread Smoother
23-1018-0-050	Needle Bar Tension Asm.
23-1022-0-000	Washer
23-2044-0-050	Tension (Large) Asm.
23-2045-0-000	Tension Stud (Large)
23-2046-0-000	Tension Disc (2)
23-2047-0-000	Releasing Disc
23-2048-2-000	Take-up Lever
23-2049-1-000	Adjusting Plate
23-2050-0-000	Link
23-2051-0-100	Thread Guide Plate
23-2052-0-000	Thread Guide Adjusting Plate
23-2104-0-050	Tension (Small) Asm.
23-2120-0-000	Check Collar

10. CLAMPING



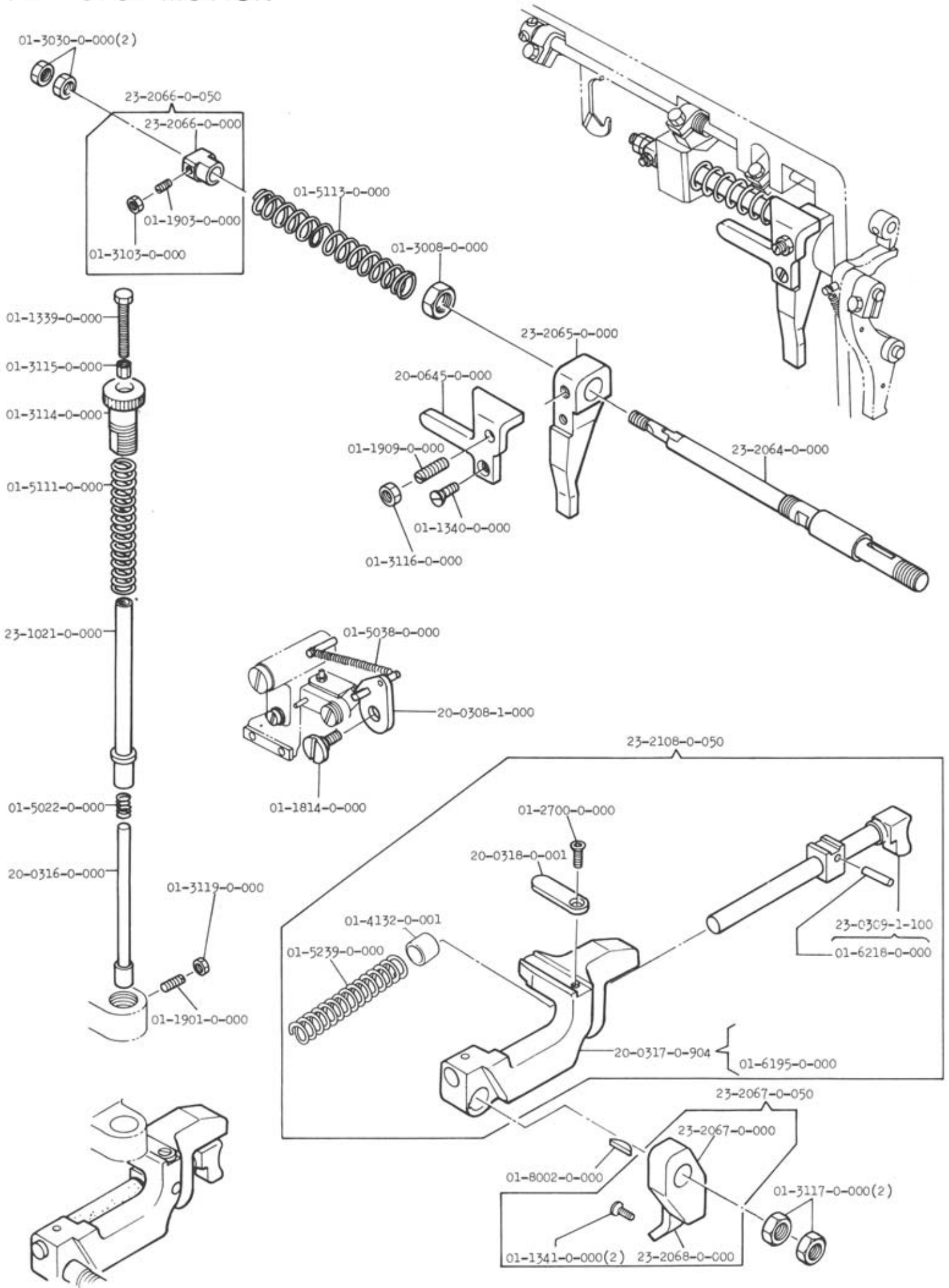
No.	Description
01-1318-0-000	Screw
01-1332-0-000	Screw
01-1333-0-000	Screw
01-1813-0-000	Shoulder Screw
01-1906-0-000	Screw
01-1907-0-000	Set Screw
01-2355-0-000	Screw (2)
01-2376-0-000	Screw-Flat Head (4)
01-3100-0-000	Nut
01-3102-0-000	Nut
01-3106-0-000	Nut
01-4011-0-000	Washer
01-5082-0-000	Spring
01-5202-0-000	Spring
01-5571-0-000	Spring
01-6055-0-000	Pin (2)
01-6103-0-001	Pivot Pin
01-6277-0-000	Pivot Pin
20-0196-1-336	Clamping Foot (Fine Left Short)
20-0196-1-337	Clamping Foot (Fine Right Short)
20-0208-1-324	Matt
20-0566-0-000	Oil Wick
20-0583-0-001	Adjustable Catch
20-0606-0-000	Spring Guide (2)
23-2053-0-000	Clamp Plate
23-2054-0-050	Tail Piece Asm.
23-2055-0-000	Clamp Arm
23-2057-0-050	Unclamping Handle Asm.
23-2058-0-050	Link, Adjustable Catch and Actuator Switch Asm.
23-2059-1-050	Link Asm.
23-2115-0-000	Clamp Arm
23-2134-0-000	Anchor

11. LOOPER DRIVE



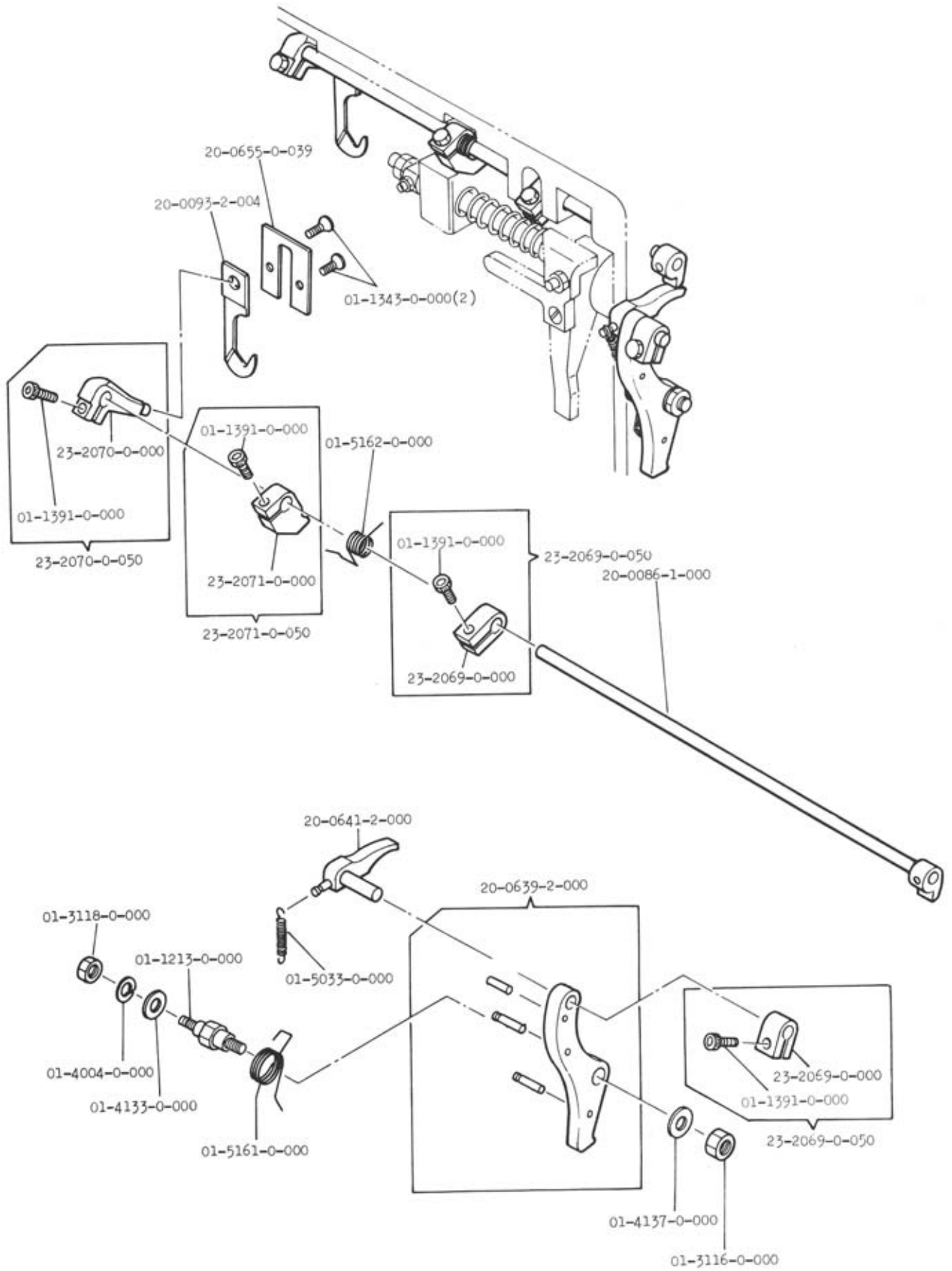
No.	Description
01-1335-0-000	Screw (2)
01-1336-0-000	Screw (4)
01-1337-0-000	Screw (large) (2)
01-1338-0-000	Screw
01-1382-0-000	Screw
01-1397-0-000	Screw (2)
01-1397-0-000	Screw (2)
01-1557-0-000	Screw (Small) (2)
01-1908-0-000	Screw (2)
01-2401-0-000	Set Screw
01-6096-0-000	Pivot Pin (2)
01-6097-0-000	Pivot Pin
20-0085-2-000	Rocker Asm.
20-0094-1-000	Knife-Thread Trimmer
20-0098-2-100	Looper Cam Follower Asm.
20-0106-1-000	Bearing Blocks, Pair (replace both blocks at the same time)
20-0107-2-000	Looper Drive Shaft (2)
20-0111-0-000	First Looper
20-0112-0-000	Second Looper
20-0569-0-050	Spacing Collar (Parts are sold in pairs only)
20-0570-0-050	Long Spacing Collar (Parts are sold in pairs only)
20-0577-0-000	Key (2)
23-2061-0-000	Rocker
23-2062-0-000	Feed Gear and Looper Cam
23-2105-0-050	Looper Drive Shaft Asm.
23-2106-0-000	First Looper Holder
23-2107-0-000	Second Looper Holder
23-2113-0-000	Needle Guard Bracket
23-2114-0-000	Needle Guard Wire

12. STOP MOTION



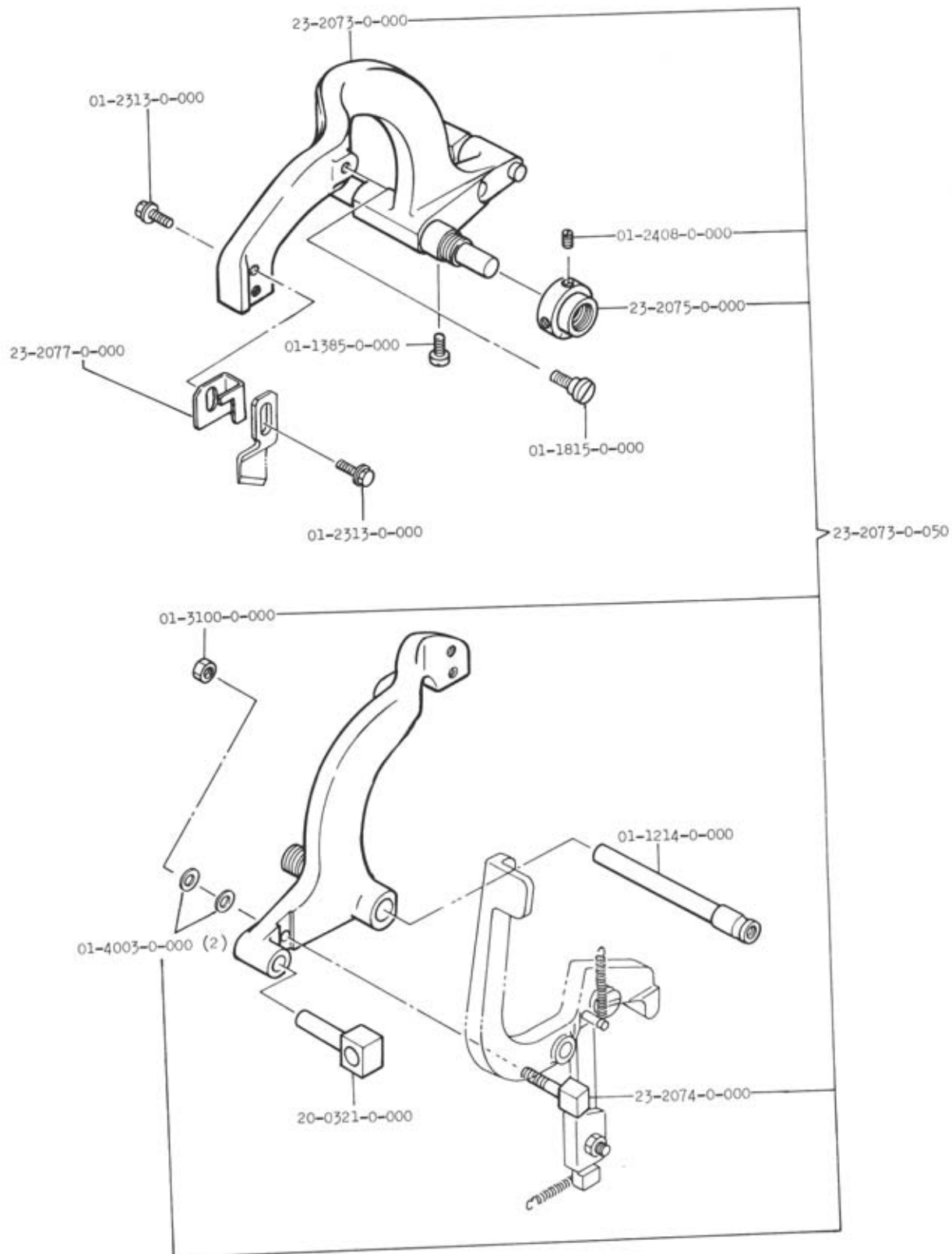
No.	Description
01-1339-0-000	Screw
01-1340-0-000	Screw-Flat Head
01-1341-0-000	Screw (2)
01-1814-0-000	Shoulder Screw
01-1901-0-000	Set Screw
01-1903-0-000	Set Screw
01-1909-0-000	Set Screw
01-2700-0-000	Screw-Flat Head
01-3008-0-000	Nut
01-3030-0-000	Lock Nut (2)
01-3103-0-000	Lock Nut
01-3114-0-000	Adjusting Nut
01-3115-0-000	Lock Nut
01-3116-0-000	Lock Nut
01-3117-0-000	Lock Nut (2)
01-3119-0-000	Nut
01-4132-0-001	Spacer
01-5022-0-000	Spring
01-5038-0-000	Spring
01-5111-0-000	Spring
01-5113-0-000	Spring
01-5239-0-000	Spring
01-6195-0-000	Stud
01-6218-0-000	Taper Pin
01-8002-0-000	Key
20-0308-1-000	Latch
20-0316-0-000	Plunger
20-0317-0-904	Stop Bolt Holder Asm.
20-0318-0-001	Anvil
20-0645-0-000	Bracket
23-0309-1-100	Stop Bolt Asm.
23-1021-0-000	Guide Rod
23-2064-0-000	Shaft
23-2065-0-000	Arm
23-2066-0-000	Adjustable Collar
23-2066-0-050	Adjustable Collar Asm.
23-2067-0-000	Actuator
23-2067-0-050	Actuator Comp.
23-2068-0-000	Plate-Actuator
23-2108-0-050	Stop Bolt & Bolt Holder Asm.

13. THREAD TRIMMER



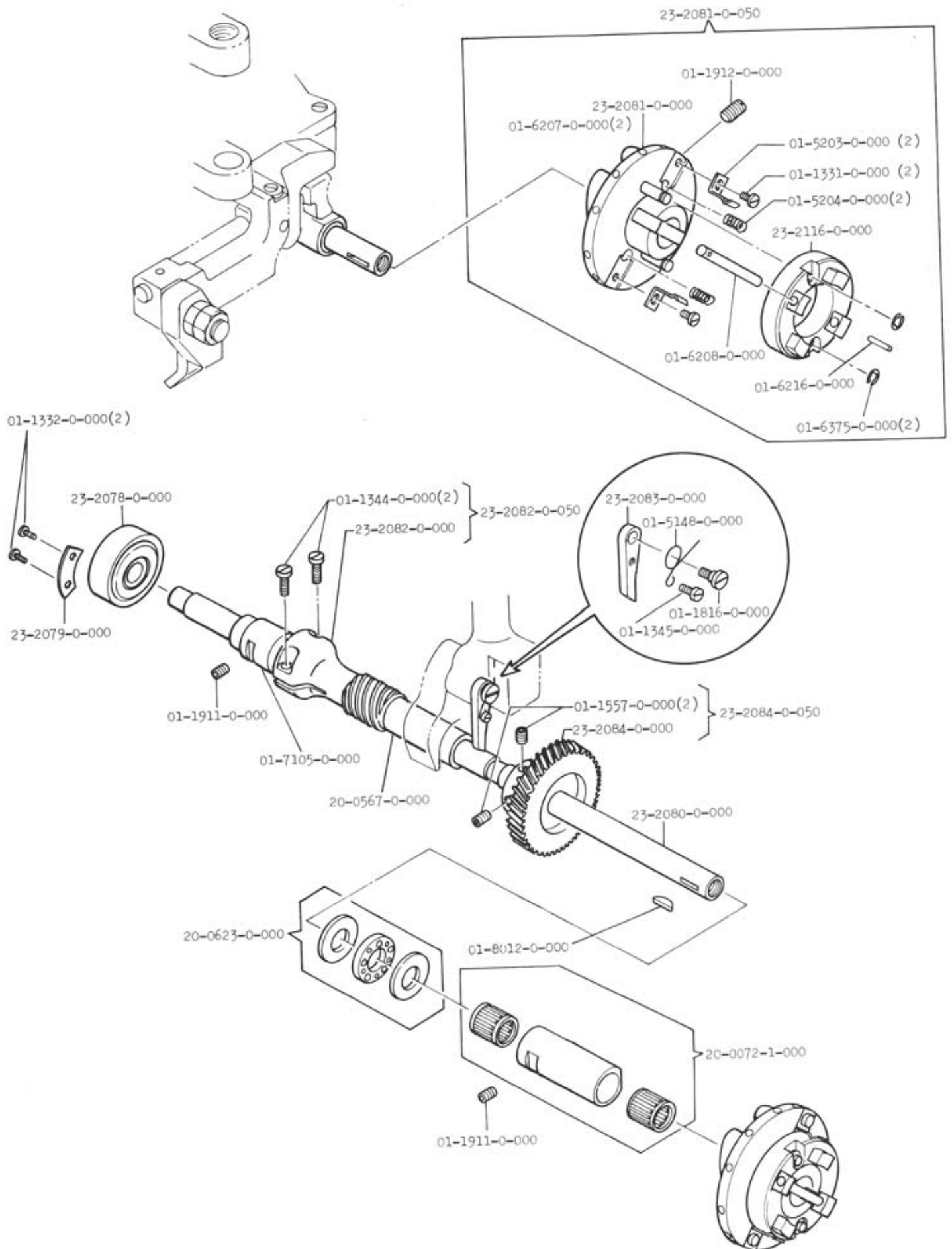
No.	Description
01-1213-0-000	Stud
01-1343-0-000	Screw-Flat Head (2)
01-1391-0-000	Screw
01-1391-0-000	Screw
01-1391-0-000	Screw
01-1391-0-000	Screw
01-3116-0-000	Nut
01-3118-0-000	Nut
01-4004-0-000	Lock Washer
01-4133-0-000	Washer
01-4137-0-000	Washer
01-5033-0-000	Spring
01-5161-0-000	Spring
01-5162-0-000	Spring
20-0086-1-000	Ratchet and Rod Asm.
20-0093-2-004	Trimmer Hook
20-0639-2-000	Lever Asm.
20-0641-2-000	Pawl
20-0655-0-039	Cover Plate
23-2069-0-000	Safety Arm (2)
23-2069-0-050	Safety Arm Asm. (2)
23-2070-0-000	Trimmer Actuator
23-2070-0-050	Trimmer Actuator Asm.
23-2071-0-000	Stop Arm
23-2071-0-050	Stop Arm Asm

14. CUTTING LEVER



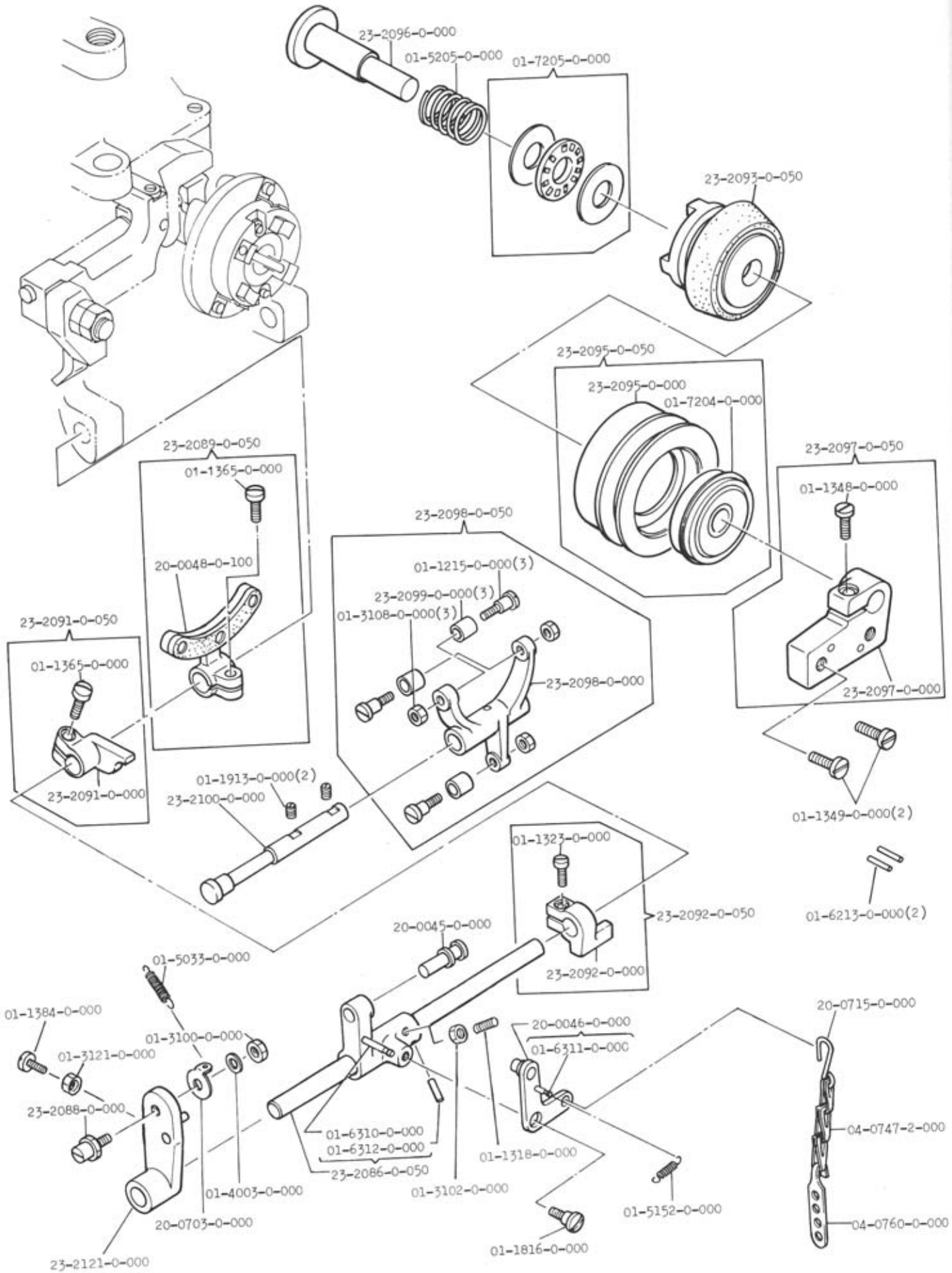
No.	Description
01-1214-0-000	Pivot Stud
01-1385-0-000	Set Screw
01-1815-0-000	Shoulder Screw
01-2313-0-000	Screw
01-2313-0-000	Screw
01-2408-0-000	Set Screw
01-3100-0-000	Nut
01-4003-0-000	Lock Washer (2)
20-0321-0-000	Pivot Block
23-2073-0-000	Cutting Lever
23-2073-0-050	Cutting Lever Asm.
23-2074-0-000	Stop Post
23-2075-0-000	Collar
23-2077-0-000	Knife Plate

15. MAIN SHAFT



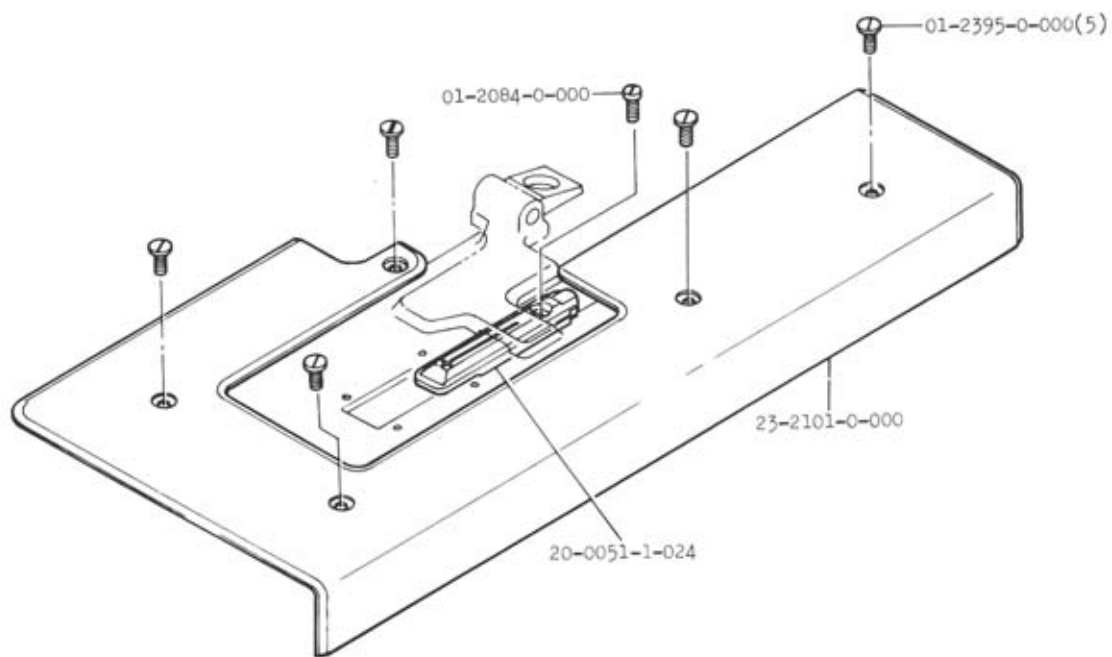
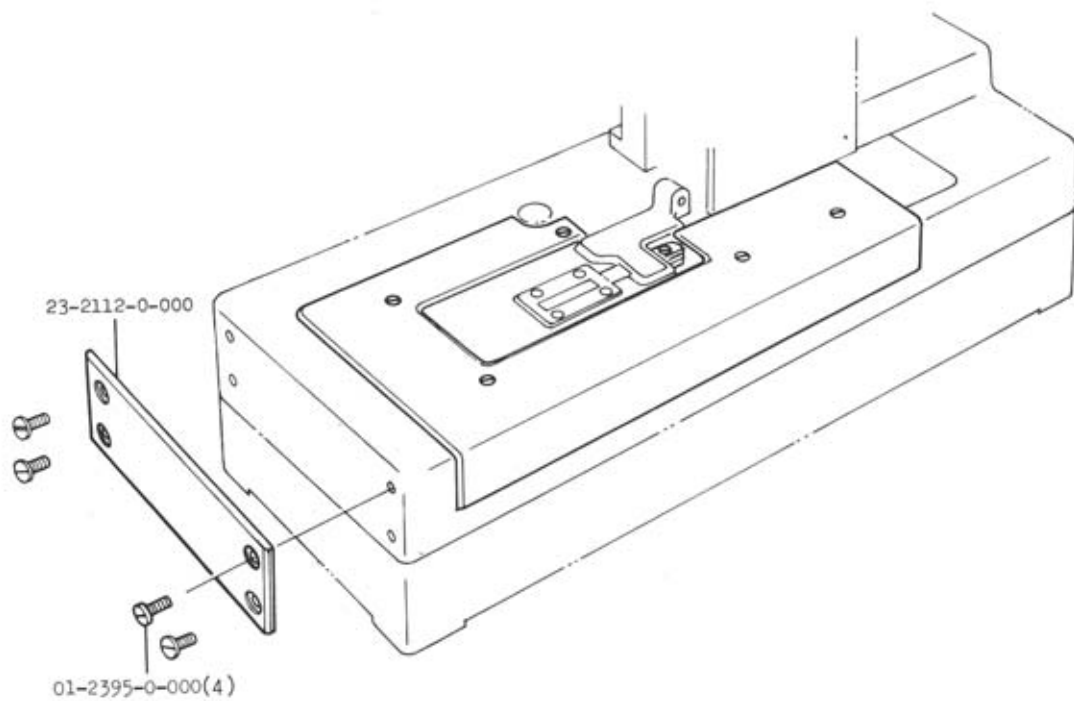
No.	Description
01-1331-0-000	Screw (2)
01-1332-0-000	Screw (2)
01-1344-0-000	Screw (2)
01-1345-0-000	Screw
01-1557-0-000	Set Screw (2)
01-1816-0-000	Shoulder Screw
01-1911-0-000	Set Screw (2)
01-1912-0-000	Set Screw
01-5148-0-000	Spring
01-5203-0-000	Spring (2)
01-5204-0-000	Spring (2)
01-6207-0-000	Ring Pin (2)
01-6208-0-000	Pin
01-6216-0-000	Pin
01-6375-0-000	Snap Ring (2)
01-7105-0-000	Bushing
01-8012-0-000	Key
20-0072-1-000	Bushing Asm.
20-0567-0-000	Space Collar
20-0623-0-000	Bearing-Thrust
23-2078-0-000	Bearing
23-2079-0-000	Retaining Plate
23-2080-0-000	Shaft
23-2081-0-000	Drive Pulley
23-2081-0-050	Drive Pulley Asm.
23-2082-0-000	Worm Gear
23-2082-0-050	Worm Gear Asm.
23-2083-0-000	Pawl
23-2084-0-000	Gear (Large)
23-2084-0-050	Gear Asm.
23-2116-0-000	Ring

16. CLUTCH



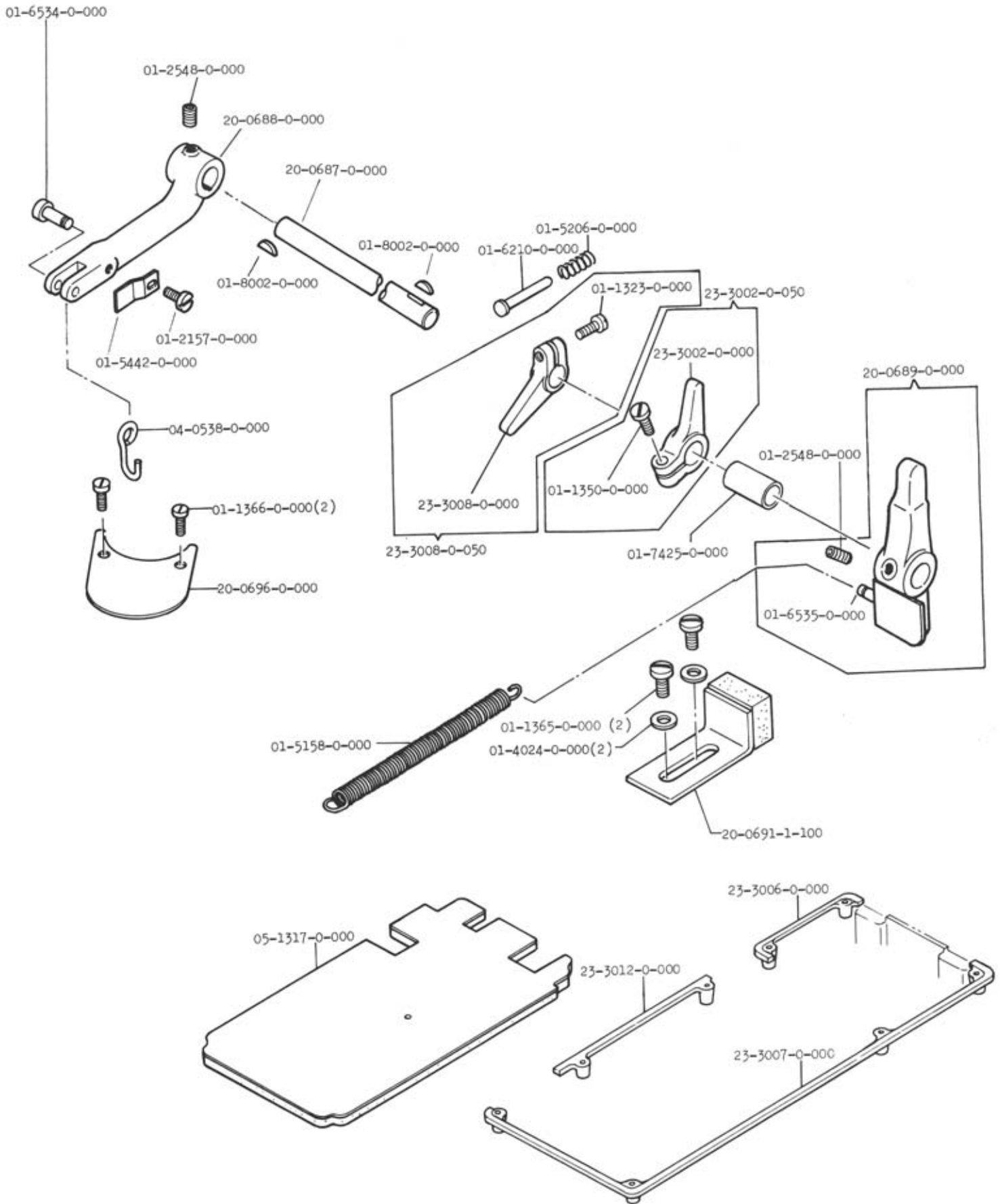
No.	Description
01-1215-0-000	Stud (3)
01-1318-0-000	Screw
01-1323-0-000	Screw
01-1348-0-000	Screw
01-1349-0-000	Screw (2)
01-1365-0-000	Screw
01-1365-0-000	Screw
01-1384-0-000	Screw
01-1816-0-000	Shoulder Screw
01-1913-0-000	Set Screw (2)
01-3100-0-000	Nut
01-3102-0-000	Nut
01-3108-0-000	Nut (3)
01-3121-0-000	Nut
01-4003-0-000	Lock Washer
01-5033-0-000	Spring
01-5152-0-000	Spring
01-5205-0-000	Spring
01-6213-0-000	Pin (2)
01-6310-0-000	Pin
01-6311-0-000	Pin
01-6312-0-000	Taper Pin
01-7204-0-000	Bearing-Ball
01-7205-0-000	Bearing-Thrust
04-0747-2-000	Chain
04-0760-0-000	Adjustable Link
20-0045-0-000	Plunger
20-0046-0-000	Bell Crank Asm.
20-0048-0-100	Brake Shoe Asm.
20-0703-0-000	Anchor
20-0715-0-000	Chain Hook
23-2086-0-050	Shifter Shaft Asm.
23-2088-0-000	Shifter Stud
23-2089-0-050	Brake Shoe and Screw Asm.
23-2091-0-000	Clutch Driving Arm
23-2091-0-050	Clutch Driving Arm Asm.
23-2092-0-000	Clutch Start Arm (Right)
23-2092-0-050	Clutch Start Arm (Right) Asm.
23-2093-0-050	Clutch Asm.
23-2095-0-000	Clutch Pulley
23-2095-0-050	Clutch Pulley Asm.
23-2096-0-000	Shaft
23-2097-0-000	Bracket
23-2097-0-050	Bracket Asm.
23-2098-0-000	Clutch Shifter
23-2098-0-050	Clutch Shifter Asm.
23-2099-0-000	Roller (3)
23-2100-0-000	Shaft
23-2121-0-000	Shifter Lever

17. BED PLATE PARTS



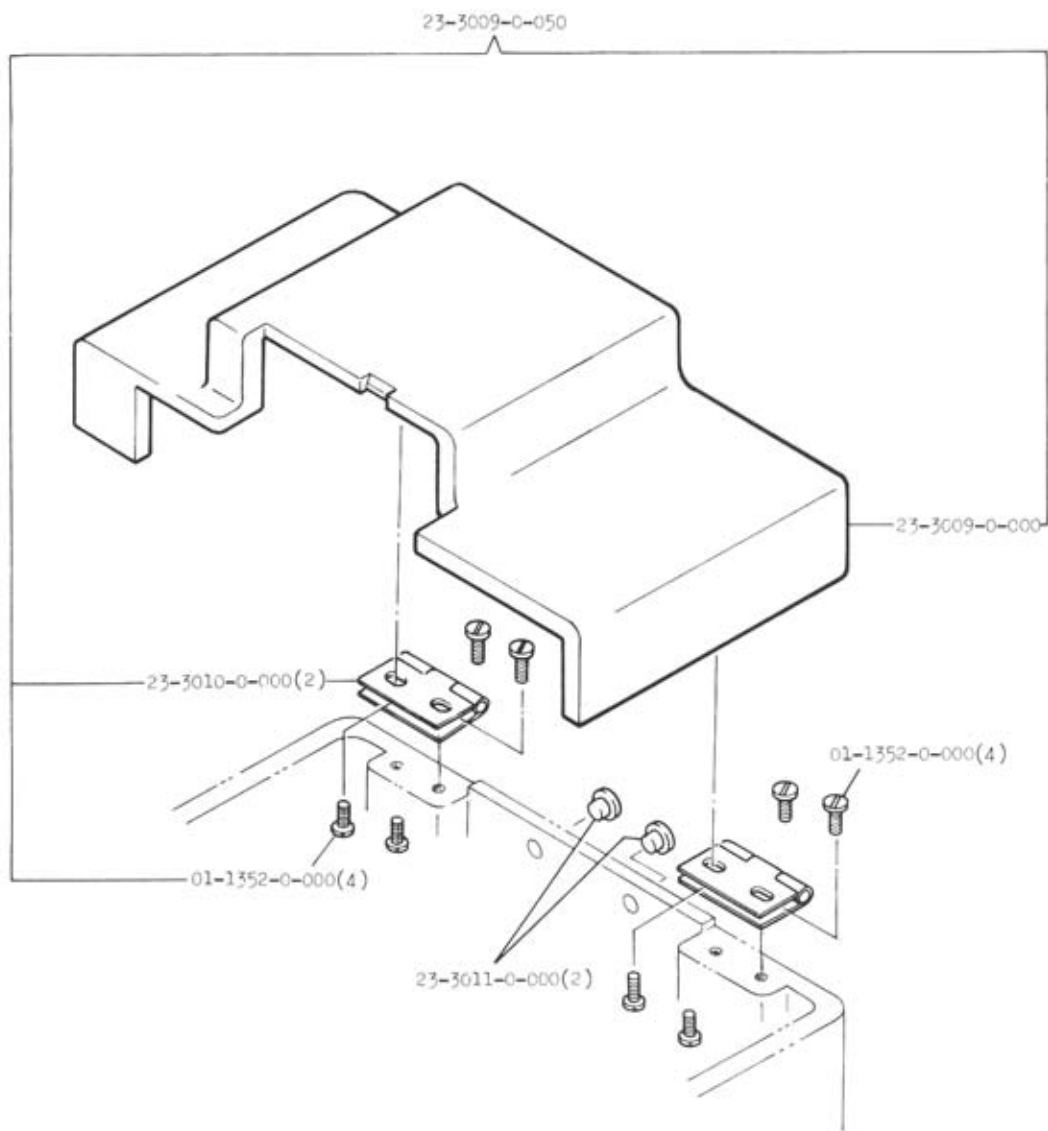
No.	Description
01-2084-0-000	Screw
01-2395-0-000	Screw (5)
01-2395-0-000	Screw (4)
20-0051-1-024	Throat Plate 3/32 Reg.
23-2101-0-000	Cover Plate
23-2112-0-000	Bed Side Cover

18. BASE & COMPONENT PARTS



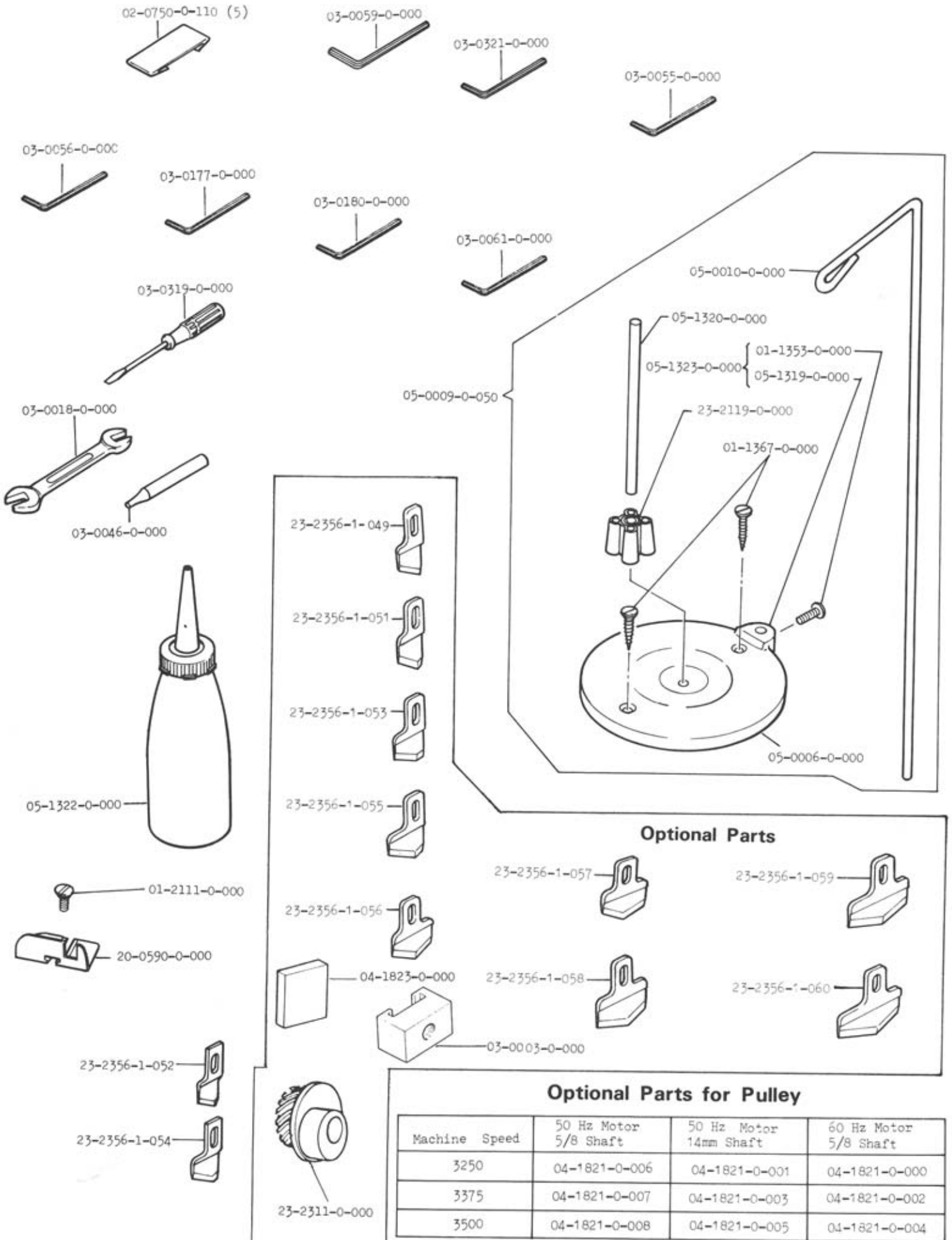
No.	Description
01-1323-0-000	Screw
01-1350-0-000	Screw
01-1351-0-000	Screw
01-1365-0-000	Screw (2)
01-1366-0-000	Screw (2)
01-2157-0-000	Screw
01-2548-0-000	Set Screw (2)
01-4024-0-000	Washer (2)
01-5158-0-000	Spring
01-5206-0-000	Spring
01-5442-0-000	Clip
01-6210-0-000	Pin
01-6534-0-000	Pin
01-6535-0-000	Pin-Anchor
01-7425-0-000	Collar
01-8002-0-000	Key (2)
04-0538-0-000	Hook
05-1317-0-000	Pad
20-0687-0-000	Shaft
20-0688-0-000	Lever
20-0689-0-000	Arm Asm.
20-0691-1-100	Bumper Asm.
20-0696-0-000	Cover
23-3002-0-000	Trip Lever
23-3002-0-050	Trip Lever Asm.
23-3006-0-000	Bumper (Small) Neoprene
23-3007-0-000	Bumper (Large) Neoprene
23-3008-0-000	Clutch Start Arm (Left)
23-3008-0-050	Clutch Start Arm (Left) Asm.
23-3012-0-000	Bumper (Middle) Neoprene

19. BELT GUARD



No.	Description
01-1352-0-000	Screw (4)
01-1352-0-000	Screw (4)
23-3009-0-000	Belt Guard Cover
23-3009-0-050	Belt Guard Cover Asm.
23-3010-0-000	Belt Guard Cover Hinge (2)
23-3011-0-000	Bumper (2)

20. ATTACHMENT & ACCESSORIES



Optional Parts

- 23-2356-1-049
- 23-2356-1-051
- 23-2356-1-053
- 23-2356-1-055
- 23-2356-1-056
- 23-2356-1-057
- 23-2356-1-058
- 23-2356-1-059
- 23-2356-1-060
- 04-1823-0-000
- 03-0003-0-000
- 23-2311-0-000

Optional Parts for Pulley

Machine Speed	50 Hz Motor 5/8 Shaft	50 Hz Motor 14mm Shaft	60 Hz Motor 5/8 Shaft
3250	04-1821-0-006	04-1821-0-001	04-1821-0-000
3375	04-1821-0-007	04-1821-0-003	04-1821-0-002
3500	04-1821-0-008	04-1821-0-005	04-1821-0-004

No.	Description
01-1353-0-000	Screw
01-1367-0-000	Wood Screw (2)
01-2111-0-000	Screw
02-0750-0-110	Needle (5)
03-0018-0-000	Wrench (3/8" * 5/16")
03-0046-0-000	Crank
03-0055-0-000	Key Wrench
03-0056-0-000	Key Wrench
03-0059-0-000	1/8" Key Wrench
03-0061-0-000	Key Wrench
03-0177-0-000	Key Wrench
03-0180-0-000	Key Wrench
03-0319-0-000	Screw Driver (Small)
03-0321-0-000	3/32" Key Wrench
05-0006-0-000	Felt Pad
05-0009-0-050	Thread Stand Comp.
05-0010-0-000	Rod
05-1319-0-000	Thread Stand Base
05-1320-0-000	Thread Stand Base (Spool Pin)
05-1322-0-000	Oiler
05-1323-0-000	Thread Stand Base Comp.
20-0590-0-000	Gauge
23-2119-0-000	Spool Shield
23-2356-1-052	Knife (1/2"-13)
23-2356-1-054	Knife (5/8"-16)
<i>23-2356-1-050</i>	<i>3/8" knife</i>

Optional Parts

No.	Description
03-0003-0-000	Wheel Puller
04-1823-0-000	Pad (4)
23-2311-0-000	Eccentric-Feed Drive
23-2356-1-049	Knife (1/4"-6)
23-2356-1-051	Knife (7/16"-11)
23-2356-1-053	Knife (9/16"-14)
23-2356-1-055	Knife (3/4"-19)
23-2356-1-056	Knife (7/8"-22)
23-2356-1-057	Knife (1"-25)
23-2356-1-058	Knife (1-1/8"-29)
23-2356-1-059	Knife (1-1/4"-32)
23-2356-1-060	Knife (1-3/8"-35)

PARTS INDEX

PART NUMBER	PAGE	PART NUMBER	PAGE	PART NUMBER	PAGE	PART NUMBER	PAGE
01-1044-0-000	6	01-1343-0-000	13	01-1901-0-000	12	01-3104-0-000	6
01-1201-0-000	2	01-1344-0-000	15	01-1902-0-000	3	01-3105-0-000	7
01-1202-0-000	2	01-1345-0-000	15	01-1902-0-000	8	01-3106-0-000	5
01-1203-0-000	3	01-1348-0-000	16	01-1903-0-000	4	01-3106-0-000	10
01-1204-0-000	4	01-1349-0-000	16	01-1903-0-000	12	01-3107-0-000	6
01-1205-0-000	6	01-1350-0-000	18	01-1905-0-000	4	01-3108-0-000	6
01-1209-0-000	7	01-1352-0-000	1	01-1906-0-000	5	01-3108-0-000	16
01-1210-0-000	9	01-1352-0-000	9	01-1906-0-000	10	01-3109-0-000	9
01-1211-0-000	9	01-1352-0-000	19	01-1907-0-000	10	01-3110-0-000	9
01-1213-0-000	13	01-1353-0-000	20	01-1908-0-000	11	01-3111-0-000	9
01-1214-0-000	14	01-1356-0-000	1	01-1909-0-000	12	01-3112-0-000	9
01-1215-0-000	16	01-1357-0-000	1	01-1910-0-000	14	01-3113-0-000	9
01-1216-0-000	5	01-1358-0-000	1	01-1911-0-000	4	01-3114-0-000	12
01-1220-0-000	6	01-1358-0-000	9	01-1911-0-000	15	01-3115-0-000	12
01-1221-0-000	8	01-1359-0-000	1	01-1912-0-000	15	01-3116-0-000	12
01-1300-0-000	1	01-1360-0-000	1	01-1913-0-000	16	01-3116-0-000	13
01-1301-0-000	1	01-1361-0-000	4	01-2084-0-000	17	01-3117-0-000	12
01-1304-0-000	1	01-1362-0-000	6	01-2111-0-000	20	01-3118-0-000	13
01-1306-0-000	2	01-1364-0-000	3	01-2122-0-000	6	01-3119-0-000	12
01-1307-0-000	2	01-1365-0-000	16	01-2122-0-000	8	01-3121-0-000	16
01-1308-0-000	2	01-1365-0-000	18	01-2123-0-000	6	01-3153-0-000	4
01-1309-0-000	2	01-1366-0-000	18	01-2146-0-000	7	01-4002-0-000	4
01-1310-0-000	3	01-1367-0-000	20	01-2157-0-000	18	01-4003-0-000	14
01-1311-0-000	3	01-1370-0-000	3	01-2193-0-000	2	01-4003-0-000	16
01-1312-0-000	4	01-1381-0-000	1	01-2313-0-000	14	01-4004-0-000	13
01-1313-0-000	4	01-1382-0-000	11	01-2355-0-000	10	01-4011-0-000	5
01-1314-0-000	5	01-1384-0-000	16	01-2376-0-000	10	01-4111-0-000	7
01-1315-0-000	6	01-1385-0-000	14	01-2395-0-000	17	01-4011-0-000	10
01-1318-0-000	6	01-1390-0-000	8	01-2401-0-000	11	01-4013-0-000	2
01-1318-0-000	10	01-1391-0-000	13	01-2413-0-000	6	01-4017-0-000	2
01-1318-0-000	16	01-1394-0-000	8	01-2505-0-000	6	01-4024-0-000	18
01-1319-0-000	6	01-1397-0-000	11	01-2548-0-000	18	01-4029-0-000	8
01-1320-0-000	6	01-1557-0-000	11	01-2700-0-000	12	01-4029-0-000	9
01-1321-0-000	7	01-1557-0-000	15	01-2764-0-000	9	01-4035-0-000	7
01-1322-0-000	7	01-1585-0-000	2	01-3001-0-000	6	01-4039-0-000	9
01-1323-0-000	8	01-1586-0-000	4	01-3001-0-000	8	01-4059-0-000	6
01-1323-0-000	16	01-1800-0-000	2	01-3008-0-000	12	01-4064-0-000	9
01-1323-0-000	18	01-1801-0-000	2	01-3030-0-000	12	01-4065-0-000	5
01-1325-0-000	8	01-1802-0-000	3	01-3100-0-000	2	01-4068-0-000	1
01-1326-0-000	8	01-1803-0-000	5	01-3100-0-000	4	01-4100-0-000	9
01-1327-0-000	8	01-1804-0-000	6	01-3100-0-000	5	01-4102-0-000	2
01-1328-0-000	9	01-1805-0-000	6	01-3100-0-000	6	01-4103-0-000	2
01-1329-0-000	1	01-1806-0-000	6	01-3100-0-000	10	01-4104-0-000	3
01-1331-0-000	9	01-1808-0-000	7	01-3100-0-000	14	01-4105-0-000	3
01-1331-0-000	15	01-1809-0-000	7	01-3100-0-000	16	01-4130-0-000	7
01-1332-0-000	10	01-1810-0-000	8	01-3101-0-000	2	01-4132-0-001	12
01-1332-0-000	15	01-1812-0-000	9	01-3102-0-000	2	01-4133-0-000	7
01-1333-0-000	10	01-1813-0-000	10	01-3102-0-000	4	01-4133-0-000	13
01-1335-0-000	11	01-1814-0-000	12	01-3102-0-000	5	01-4137-0-000	13
01-1336-0-000	11	01-1815-0-000	14	01-3102-0-000	6	01-4572-0-000	9
01-1337-0-000	11	01-1816-0-000	15	01-3102-0-000	10	01-4672-0-001	6
01-1338-0-000	11	01-1816-0-000	16	01-3102-0-000	16	01-4672-0-004	8
01-1339-0-000	12	01-1818-0-000	7	01-3103-0-000	4	01-5004-0-000	9
01-1340-0-000	12	01-1833-0-000	8	01-3103-0-000	12	01-5020-0-000	6
01-1341-0-000	12	01-1900-0-000	7	01-3104-0-000	4	01-5022-0-000	12

PART NUMBER	PAGE	PART NUMBER	PAGE	PART NUMBER	PAGE	PART NUMBER	PAGE
01-5033-0-000	8	01-6311-0-000	16	05-1303-0-000	1	20-0254-0-900	8
01-5033-0-000	13	01-6312-0-000	16	05-1304-0-000	1	20-0258-1-000	6
01-5033-0-000	16	01-6340-0-000	7	05-1305-0-000	1	20-0266-0-000	6
01-5038-0-000	12	01-6375-0-000	6	05-1306-0-000	1	20-0268-0-000	6
01-5082-0-000	10	01-6375-0-000	15	05-1307-0-000	1	20-0271-3-000	7
01-5102-0-000	4	01-6406-0-000	6	05-1308-0-000	1	20-0277-1-000	7
01-5106-0-000	8	01-6508-0-000	6	05-1309-0-000	1	20-0278-1-000	7
01-5107-0-000	6	01-6534-0-000	18	05-1310-0-000	1	20-0281-0-000	7
01-5108-0-000	7	01-6535-0-000	18	05-1311-0-000	2	20-0288-0-000	7
01-5111-0-000	12	01-6555-0-000	6	05-1312-0-000	2	20-0308-1-000	12
01-5113-0-000	12	01-6574-0-000	6	05-1313-0-000	2	20-0316-0-000	12
01-5143-0-000	7	01-6831-0-003	6	05-1314-0-000	2	20-0317-0-904	12
01-5147-0-000	6	01-6833-0-000	1	05-1315-0-000	2	20-0318-0-001	12
01-5148-0-000	15	01-6833-0-000	1	05-1316-0-000	9	20-0321-0-000	14
01-5151-0-000	9	01-7012-0-000	3	05-1317-0-000	18	20-0566-0-000	10
01-5152-0-000	16	01-7013-0-000	2	05-1319-0-000	20	20-0569-0-050	11
01-5156-0-000	5	01-7013-0-000	8	05-1320-0-000	20	20-0570-0-050	11
01-5158-0-000	18	01-7017-0-000	9	05-1322-0-000	20	20-0577-0-000	11
01-5161-0-000	13	01-7029-0-000	4	05-1323-0-000	20	20-0583-0-001	10
01-5162-0-000	13	01-7100-0-000	1	05-1324-0-000	1	20-0587-0-000	2
01-5200-0-000	9	01-7101-0-000	2			20-0588-0-000	2
01-5202-0-000	10	01-7102-0-000	2	10-4019-0-000	6	20-0590-0-000	20
01-5203-0-000	15	01-7103-0-000	2			20-0591-0-000	20
01-5204-0-000	15	01-7104-0-000	8	20-0001-1-000	2	20-0606-0-000	10
01-5205-0-000	16	01-7105-0-000	15	20-0009-0-000	7	20-0610-0-000	1
01-5206-0-000	18	01-7204-0-000	16	20-0010-0-000	7	20-0623-0-000	15
01-5207-0-000	1	01-7205-0-000	16	20-0011-0-000	7	20-0639-2-000	13
01-5239-0-000	12	01-7206-0-000	1	20-0013-1-050	6	20-0641-2-000	13
01-5442-0-000	18	01-7425-0-000	18	20-0015-0-000	6	20-0645-0-000	12
01-5449-0-000	7	01-7535-0-000	6	20-0030-0-001	4	20-0655-0-039	13
01-5571-0-000	10	01-7536-0-000	6	20-0030-1-000	4	20-0660-0-000	5
01-6055-0-000	10	01-7787-0-000	1	20-0032-1-000	4	20-0687-0-000	18
01-6079-0-000	8	01-7788-0-000	1	20-0033-0-000	4	20-0688-0-000	18
01-6096-0-000	11	01-8002-0-000	12	20-0035-0-000	4	20-0689-0-000	18
01-6097-0-000	11	01-8012-0-000	15	20-0038-0-000	3	20-0691-1-100	18
01-6103-0-001	10	01-8002-0-000	18	20-0045-0-000	16	20-0696-0-000	18
01-6108-0-000	8	01-8005-0-000	4	20-0046-0-000	16	20-0698-0-000	20
01-6121-0-000	5	01-8405-0-000	7	20-0048-0-100	16	20-0703-0-000	16
01-6121-0-000	6			20-0051-1-024	17	20-0715-0-000	16
01-6121-0-000	7	02-0750-0-110	2	20-0072-1-000	15	20-0776-0-000	6
01-6122-0-000	7	02-0750-0-110	20	20-0085-2-000	11	20-0777-0-000	6
01-6135-0-000	6			20-0086-1-000	13		
01-6165-0-000	8	03-0003-0-000	20	20-0093-2-004	13	23-0309-1-100	12
01-6186-0-000	7	03-0018-0-000	20	20-0094-1-000	11	23-1001-0-000	1
01-6195-0-000	12	03-0046-0-000	20	20-0098-2-100	11	23-1002-0-000	1
01-6200-0-000	1	03-0059-0-000	20	20-0106-1-000	11	23-1003-0-000	1
01-6201-0-000	1	03-0180-0-000	20	20-0107-2-000	11	23-1004-0-000	1
01-6202-0-000	4	03-0319-0-000	20	20-0111-0-000	11	23-1005-0-000	1
01-6203-0-000	5	03-0321-0-000	20	20-0112-0-000	11	23-1006-0-000	1
01-6204-0-000	9			20-0135-2-000	5	23-1007-0-000	1
01-6205-0-000	9	04-0538-0-000	18	20-0169-0-000	4	23-1007-0-050	1
01-6207-0-000	15	04-0747-2-000	16	20-0174-1-000	6	23-1008-0-050	2
01-6208-0-000	15	04-0760-0-000	16	20-0180-0-000	6	23-1009-0-050	2
01-6210-0-000	18	04-1823-0-000	20	20-0196-1-336	10	23-1010-0-050	2
01-6213-0-000	16			20-0196-1-337	10	23-1011-0-050	2
01-6216-0-000	15	05-0006-0-000	20	20-0208-1-324	10	23-1011-0-050	2
01-6218-0-000	12	05-0009-0-050	20	20-0225-1-000	8	23-1012-0-050	2
01-6277-0-000	10	05-0010-0-000	20	20-0230-0-000	8	23-1013-0-050	2
01-6303-0-000	7	05-1300-0-000	1	20-0230-2-050	8	23-1013-0-100	2
01-6310-0-000	16	05-1302-0-000	1	20-0240-1-000	6	23-1014-0-100	2

PART NUMBER	PAGE	PART NUMBER	PAGE	PART NUMBER	PAGE	PART NUMBER	PAGE
23-1015-0-000	2	23-2064-0-000	12	23-2121-0-000	16		
23-1016-0-000	1	23-2065-0-000	12	23-2133-0-000	8		
23-1017-0-000	1	23-2066-0-000	12	23-2133-0-050	8		
23-1018-0-050	9	23-2066-0-050	12	23-2133-0-100	8		
23-1021-0-000	12	23-2067-0-000	12	23-2134-0-000	10		
23-1022-0-000	9	23-2067-0-050	12	23-2135-0-050	6		
23-1023-0-000	1	23-2068-0-000	12	23-2311-0-000	20		
23-2001-0-000	1	23-2069-0-000	13	23-2356-1-049	20		
23-2002-0-050	1	23-2069-0-050	13	23-2356-1-050	20		
23-2003-0-050	3	23-2070-0-000	13	23-2356-1-051	20		
23-2004-1-000	3	23-2070-0-050	13	23-2356-1-052	20		
23-2005-0-000	3	23-2071-0-000	13	23-2356-1-053	20		
23-2006-0-000	4	23-2071-0-050	13	23-2356-1-054	20		
23-2007-0-000	4	23-2073-0-000	14	23-2356-1-055	20		
23-2008-0-000	4	23-2073-0-050	14	23-2356-1-056	20		
23-2009-0-000	4	23-2074-0-000	14	23-2356-1-057	20		
23-2010-0-050	4	23-2075-0-000	14	23-2356-1-058	20		
23-2012-0-000	4	23-2077-0-000	14	23-2356-1-059	20		
23-2014-0-050	4	23-2078-0-000	15	23-2356-1-060	20		
23-2015-0-050	4	23-2079-0-000	15	23-3000-0-050	1		
23-2017-0-000	5	23-2080-0-000	15	23-3002-0-000	18		
23-2018-0-000	5	23-2081-0-000	15	23-3002-0-050	18		
23-2019-0-000	5	23-2081-0-050	15	23-3006-0-000	18		
23-2020-0-000	5	23-2082-0-000	15	23-3007-0-000	18		
23-2021-0-000	5	23-2082-0-050	15	23-3008-0-000	18		
23-2026-0-000	6	23-2083-0-000	15	23-3008-0-050	18		
23-2027-0-000	6	23-2084-0-000	15	23-3009-0-000	19		
23-2027-0-050	6	23-2084-0-050	15	23-3009-0-050	19		
23-2028-0-000	6	23-2086-0-050	16	23-3010-0-000	19		
23-2028-0-050	6	23-2088-0-000	16	23-3011-0-000	19		
23-2029-0-000	6	23-2089-0-050	16	23-3012-0-000	18		
23-2031-0-000	6	23-2091-0-000	16				
23-2032-0-000	6	23-2091-0-050	16	24-2162-0-000	6		
23-2033-0-000	7	23-2092-0-000	16				
23-2034-0-000	7	23-2092-0-050	16				
23-2036-0-000	7	23-2093-0-050	16				
23-2036-0-050	7	23-2095-0-000	16				
23-2037-0-000	7	23-2095-0-050	16				
23-2037-0-050	7	23-2096-0-000	16				
23-2039-0-000	8	23-2097-0-000	16				
23-2040-0-000	8	23-2097-0-050	16				
23-2042-0-000	8	23-2098-0-000	16				
23-2043-0-000	8	23-2098-0-050	16				
23-2044-0-050	9	23-2099-0-000	16				
23-2045-0-000	9	23-2100-0-000	16				
23-2046-0-000	9	23-2101-0-000	17				
23-2047-0-000	9	23-2102-0-050	6				
23-2048-2-000	9	23-2104-0-050	9				
23-2049-1-000	9	23-2105-0-050	11				
23-2050-0-000	9	23-2106-0-000	11				
23-2051-0-100	9	23-2107-0-000	11				
23-2052-0-000	9	23-2108-0-050	12				
23-2053-0-000	10	23-2112-0-000	17				
23-2054-0-050	10	23-2113-0-000	11				
23-2055-0-000	10	23-2114-0-000	11				
23-2057-0-050	10	23-2115-0-000	10				
23-2058-0-050	10	23-2116-0-000	15				
23-2059-1-050	10	23-2118-0-000	5				
23-2061-0-000	11	23-2119-0-000	20				
23-2062-0-000	11	23-2120-0-000	9				