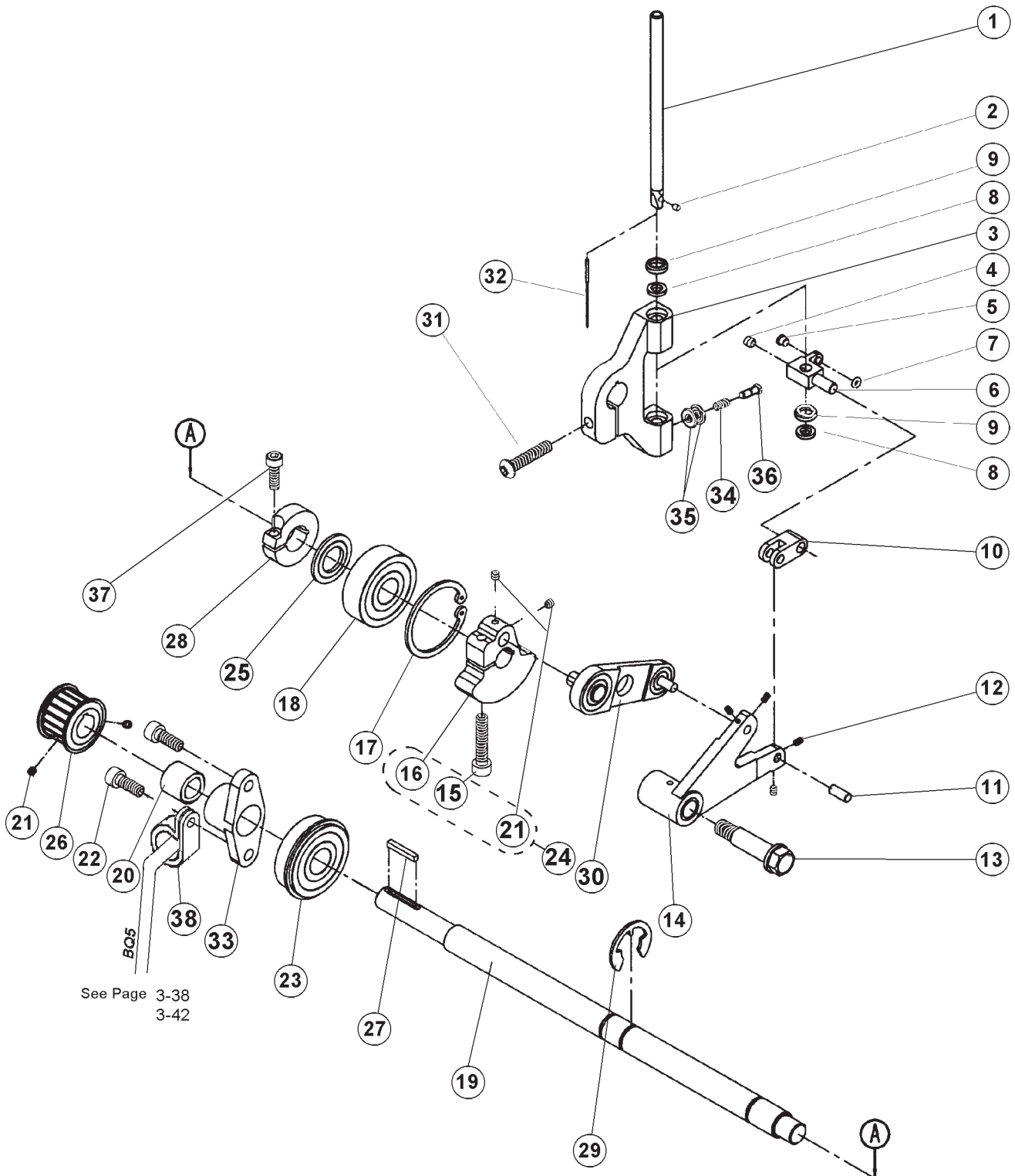


## TABLE OF CONTENTS

---

Needle Bar .....	3-2
Clamping .....	3-4
Thread Trimmer .....	3-6
Shifter Mechanism .....	3-8
Feed Mechanism .....	3-10
Looper Mechanism.....	3-14
Base.....	3-16
Bite Mechanism.....	3-18
Thread Draw-off Mechanism .....	3-20
Main Cam.....	3-22
Head Assembly .....	3-24
Bedplate.....	3-26
Covers.....	3-28
Lubrication.....	3-30
Table.....	3-32
Table Embedded - ISBH.....	3-34
Electrical (ISBH) - I.....	3-36
Electrical (ISBH) - I Table Embedded .....	3-40
Electrical (ISBH+I) - I .....	3-44
Electrical - II .....	3-48
Electrical - III.....	3-50
Pneumatics.....	3-52
Pneumatics Indexer.....	3-54
Thread Pick-up.....	3-58
Indexer Linear Guide.....	3-60
Indexer Clamping Assembly.....	3-62
Indexer Assembly.....	3-64
Clamp Feet Angle.....	3-66
Accessories.....	3-68
Accessories extra part.....	3-70
Recommended spare parts .....	3-72

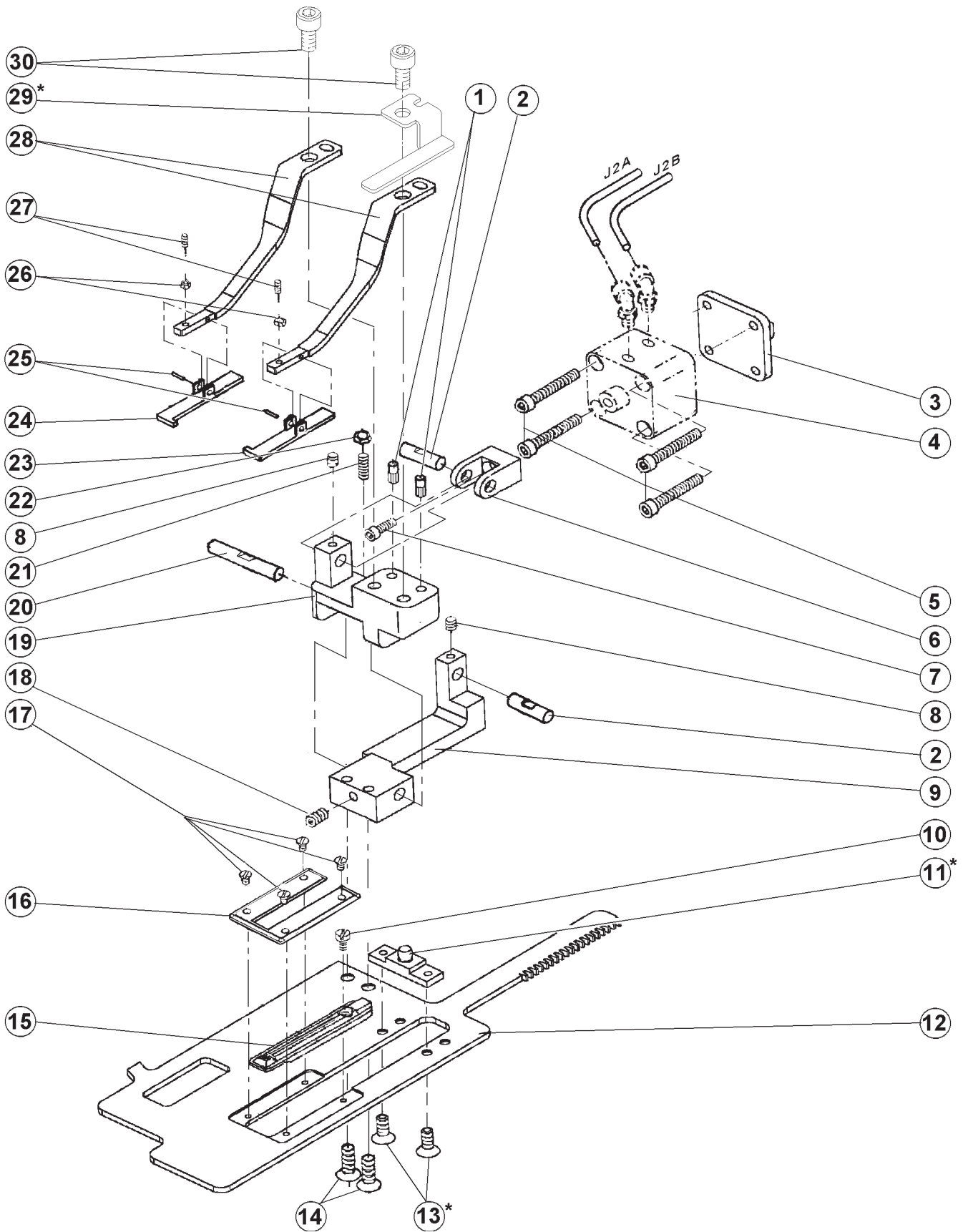
# NEEDLE BAR



## NEEDLE BAR

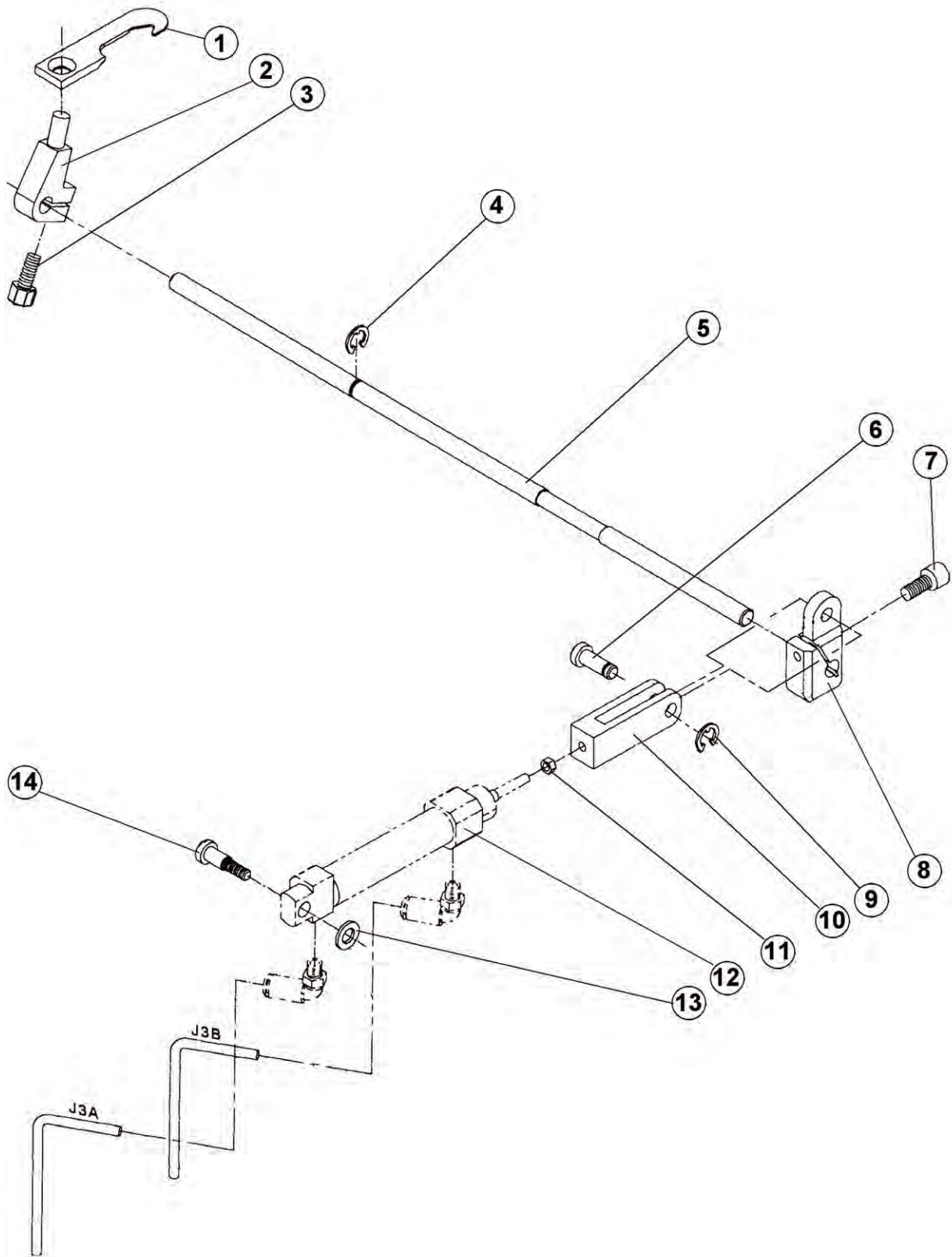
DET	PART NUMBER	DESCRIPTION		QTY.
01	22.0195.0.000	Needle Bar		1
02	01.2193.0.000	Screw 4-60		1
03	24.0510.0.000	Needle Bar Holder	●	1
04	08.6400.5.005	Set Screw M5 x 5		1
05	01.7447.1.000	Porcelain Guide	●●●	1
06	22.0520.0.000	Needle Bar Clamp		1
07	01.6551.0.000	Retaining Ring	●●●	1
08	22.0230.0.000	Cupped Washer	●●●	2
09	22.0239.0.000	Felt Washer		2
10	22.0530.0.000	Needle Bar Connecting Link		1
11	22.0542.0.000	Needle Bar Connecting Link Pin		1
12	08.6400.3.005	Set Screw M3 x 5		4
13	22.0541.0.000	Needle Bar Shoulder Screw		1
14	22.0540.0.000	Needle Bar Connecting Link Pin	● ●●	1
15	08.6000.6.030	Screw M6 x 30		(1)
16	22.0525.0.000	Needle Bar Crank	●	(1)
17	01.7809.0.000	Retaining Ring		1
18	01.7804.0.000	Top Shaft Bearing		1
19	24.0500.0.000	Needle Bar Drive Shaft		1
20	12.2050.0.003	Bearing		1
21	08.6400.4.004	Set Screw M4 x 4		2 (2)
22	08.6000.6.016	Screw M6 x 16		2
23	01.7805.0.000	Shaft Bearing		1
24	22.0525.0.050	Needle Bar Crank Asm.		1
25	22.0545.0.000	Washer		1
26	24.0048.0.000	Needle Bar Drive Pulley	●	1
27	22.0175.0.000	Drive Shaft Key		1
28	24.0002.0.000	Clamp Collar		1
29	12.1045.2.001	Retaining Ring		1
30	22.0535.0.100	Needle Bar Crank Link Asm.	●	1
31	08.6000.6.025	Screw M6 x 25		1
32	02.0750.2.110	Needle		1
33	24.0001.0.000	Bearing Carrier Upper Shaft		1
34	17.0026.2.077	Spring		1
35	17.0082.8.017	Tension Disk		2
36	24.0100.0.000	Screw M3.5 x 0.35-11		1
37	08.6000.5.016	Screw M5 x 16		1
38	12.0008.4.279	Plastic Cable Fitting		1

# CLAMPING



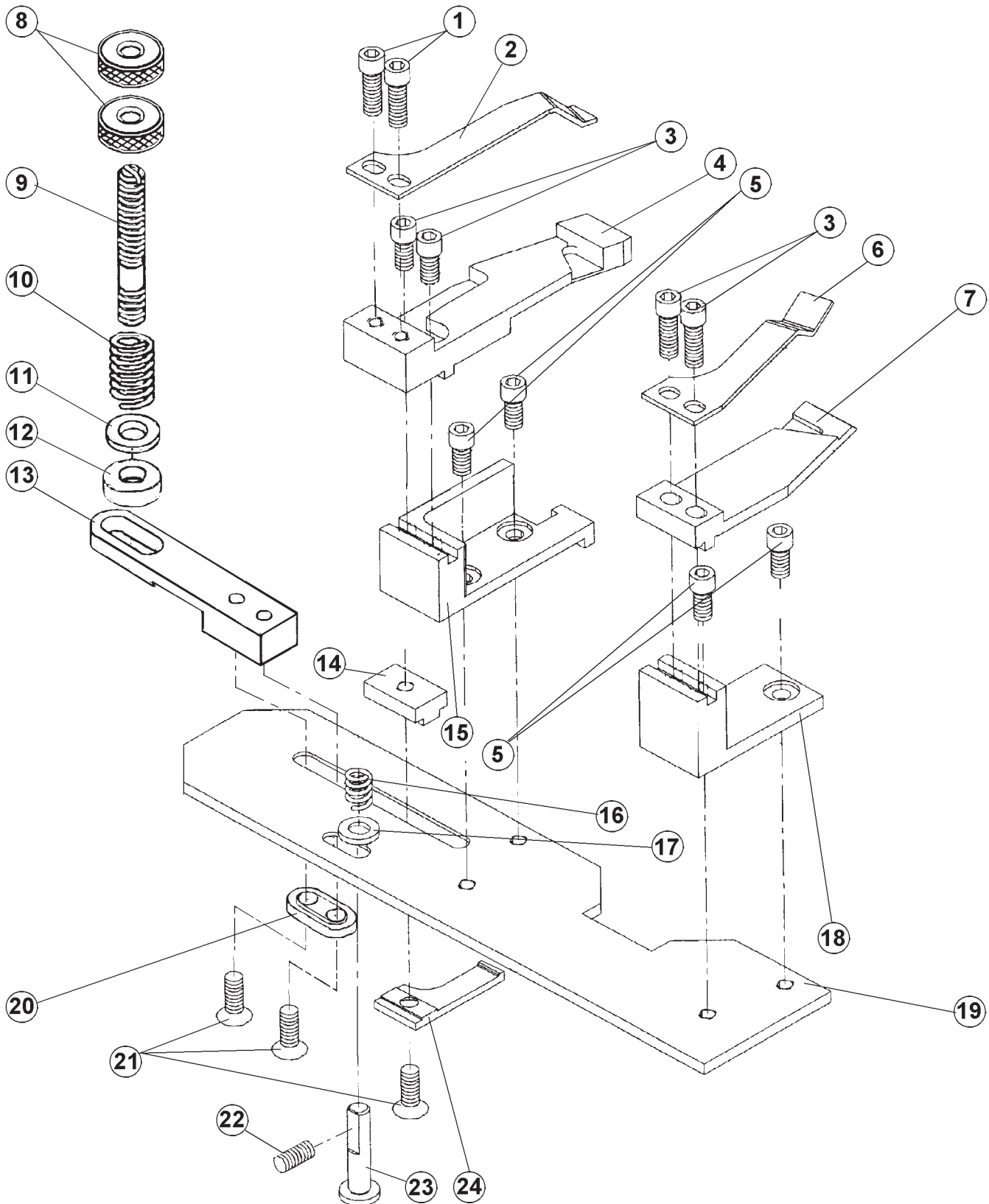


# THREAD TRIMMER





# SHIFTER MECHANISM

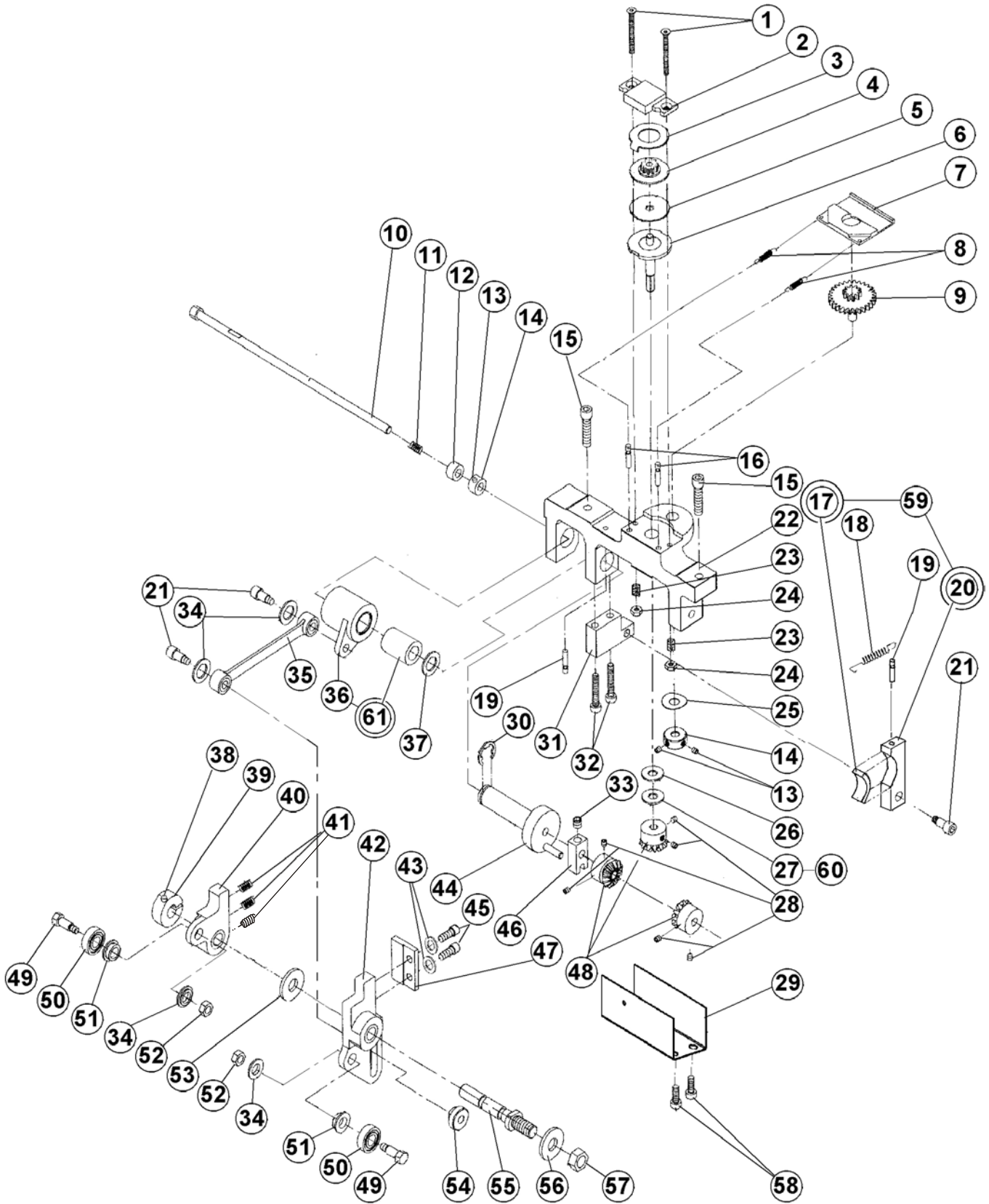




## SHIFTER MECHANISM

DET	PART NUMBER	DESCRIPTION	QTY.
01	08.6000.4.010	Screw M4 x 10	2
02	22.2653.0.000	Left Shifter Arm Spring	1
03	08.6000.4.016	Screw M4 x 16	4
04	22.2652.0.000	Left Shifter Arm	1
05	08.6000.4.005	Screw	4
06	22.2657.0.000	Right Shifter Arm Spring	1
07	22.2656.0.000	Right Shifter Arm	1
08	24.3074.0.000	Nut M6	2
09	24.3073.0.000	Screw	1
10	07.6440.0.032	Spring	1
11	08.6850.6.000	Washer	1
12	24.3075.0.000	Rubber Washer ●●●	1
13	24.3072.0.000	Shifter Brake	1
14	22.0405.0.000	Adjustable Link Nut	1
15	22.2651.0.000	Left Shifter Block	1
16	07.6440.0.040	Spring	1
17	08.6887.5.000	Washer	1
18	22.2655.0.000	Right Shifter Block	1
19	22.2665.0.000	Main Cam Shifter Plate	1
20	24.3071.0.000	Shifter Brake Bracket	1
21	08.6100.4.006	Screw M4 x 6	3
22	08.6400.4.005	Set Screw M4 x 5	1
23	22.0400.0.000	Spring Load Pin	1
24	22.2664.0.000	Buttonhole Adjusting Link	1

# FEED MECHANISM

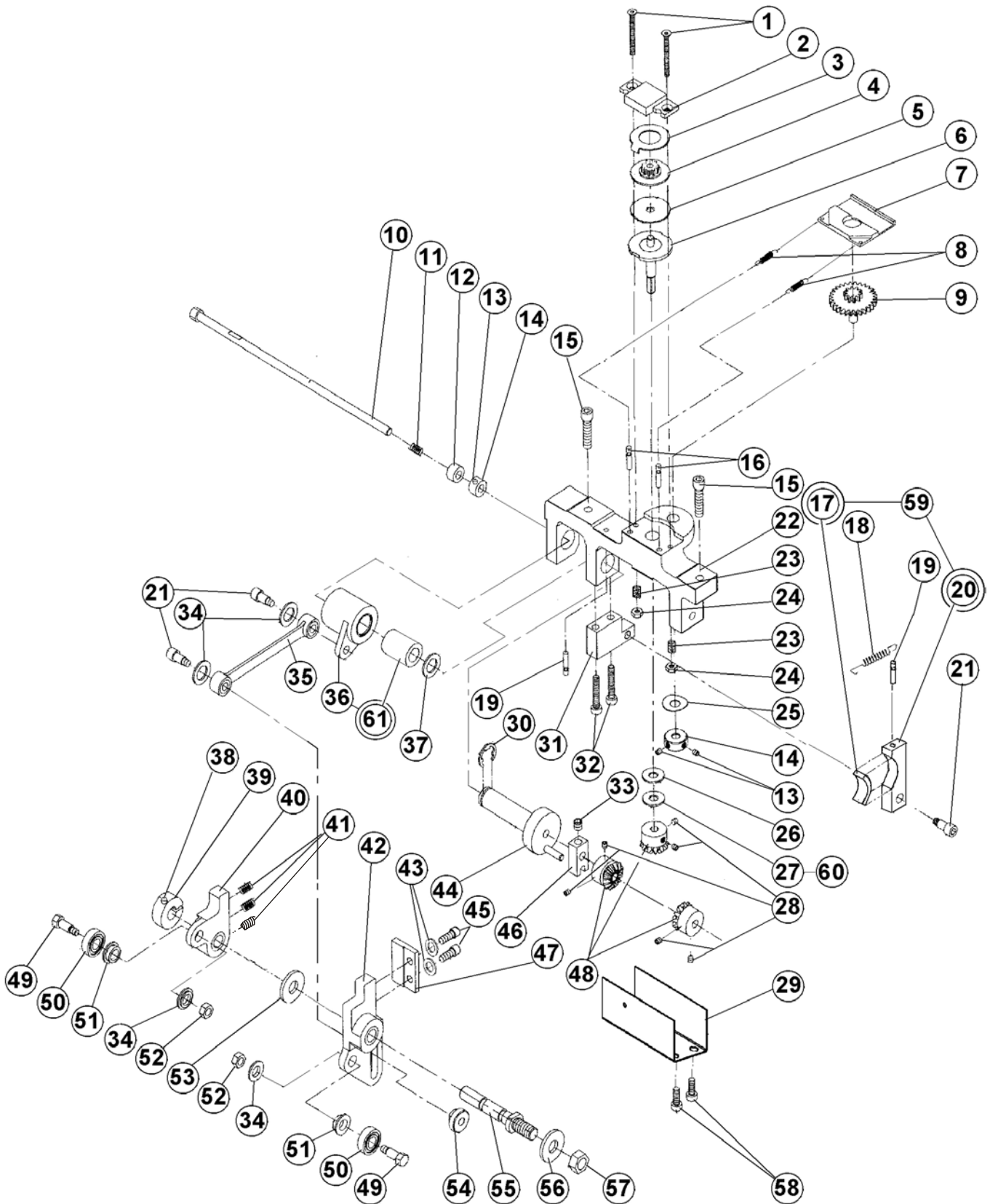


## FEED MECHANISM



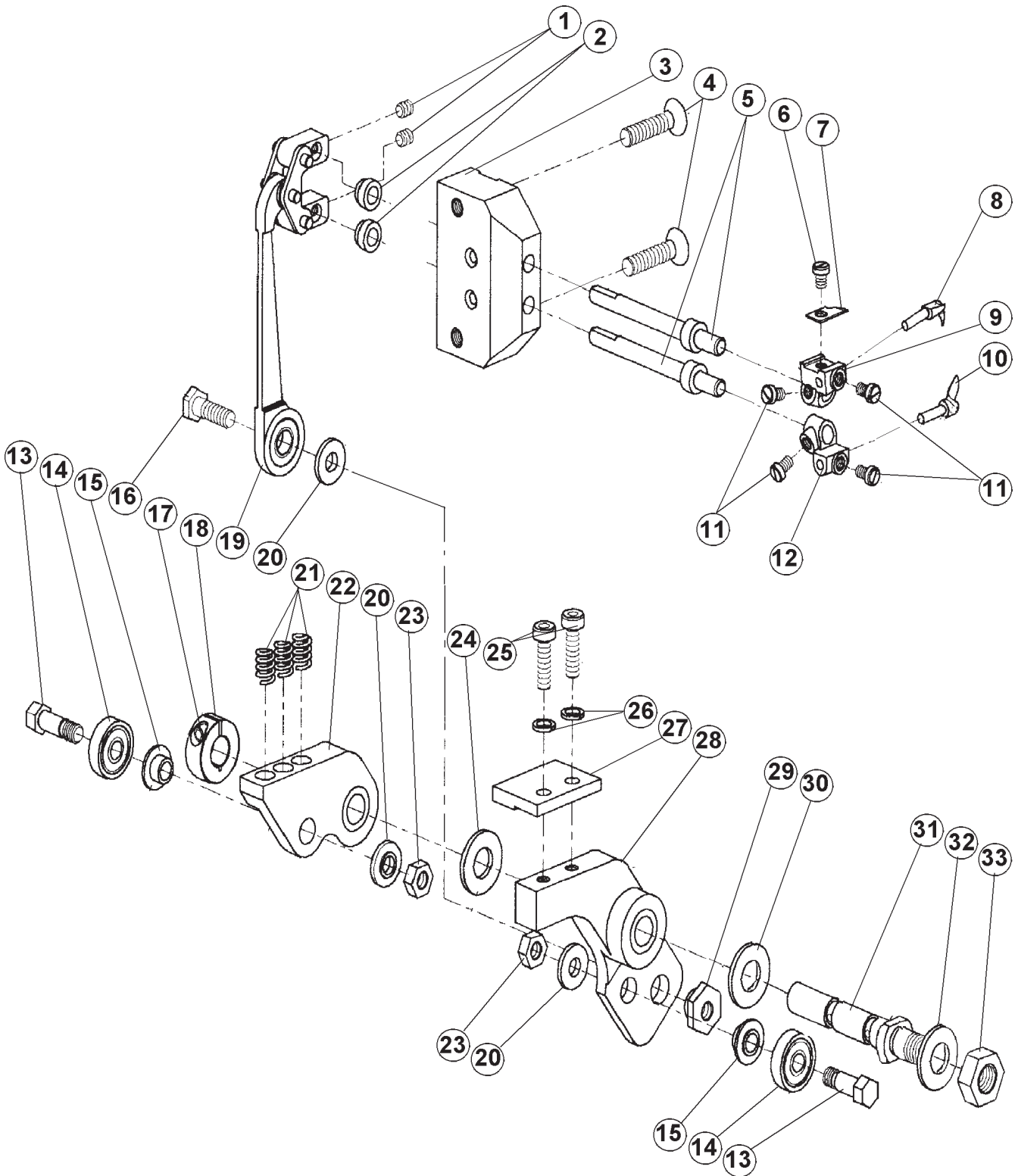
DET	PART NUMBER	DESCRIPTION	QTY.
01	08.6100.3.030	Screw M3 x 30	2
02	22.0114.0.000	Feed Brake Pressure Plate	1
03	22.0121.0.000	Slip Clutch Drive Washer	1
04	22.0354.0.000	Slip Clutch Feed Gear	1
05	24.0126.0.000	Friction Washer ●●●	1
06	22.0312.0.000	Slip Clutch Feed Shaft	1
07	22.0061.0.000	Clamp Plate Gear Rack Retainer	1
08	07.6440.0.033	Spring	2
09	24.0351.0.000	Feed Gear Assembly	1
10	22.0325.0.000	Feed Reversing Shaft	1
11	07.6440.0.041	Spring	1
12	22.0228.0.000	Collar	1
13	08.6400.5.305	Set Screw M5 x 0,5 - 5	4
14	24.0049.0.000	Set Collar	2
15	08.6000.5.020	Screw M5 x 20	2
16	07.6045.0.037	Grooved Pin 3 x 16	2
17	22.0313.0.000	Feed Brake Pad ●●●	(1)
18	07.6440.0.050	Spring	1
19	07.6045.0.009	Pin 3 x 12	2
20	22.0309.0.000	Feed Brake	(1)
21	22.0184.0.000	Screw M5 x 8	3
22	22.0315.0.000	Feed Shaft Bracket ●●	1
23	07.6440.0.028	Spring	2
24	08.6733.3.000	Lock Nut M3	2
25	17.0019.2.057	Lockwasher	1
26	22.0208.0.000	Flat Washer	1
27	22.0186.0.000	Washer Dia. 5.2/17-0.2	1
28	08.6400.4.005	Set Screw M4 x 5	6
29	24.2035.0.000	Gear Cover	1
30	07.6045.0.034	E-Ring	1
31	22.0049.0.000	Feed Brake Mounting Block ●	1
32	08.6000.4.025	Screw M4 x 25	2
33	08.6400.5.005	Set Screw M5 x 5	1
34	22.0100.0.000	Shoulder Washer	4
35	22.0305.0.000	Feed Connecting Link ● ●●	1
36	22.0320.0.000	Feed Shaft Bearing Housing	1
37	17.0019.0.517	Washer	1
38	08.6000.3.010	Screw M3 x 10	1
39	22.0183.0.000	Collar Dia. 8	1
40	22.0026.0.000	L.H. Feed Cam Follower ● ●●	1
41	07.6440.0.018	Spring	2
42	24.0127.0.000	R.H. Feed Cam Follower ● ●●	1
43	08.6800.4.000	Lockwasher M4	2
44	22.0336.0.000	Feed Shaft	1
45	08.6000.4.014	Screw M4 x 14	2
46	22.0370.0.000	Feed Crank	1

# FEED MECHANISM





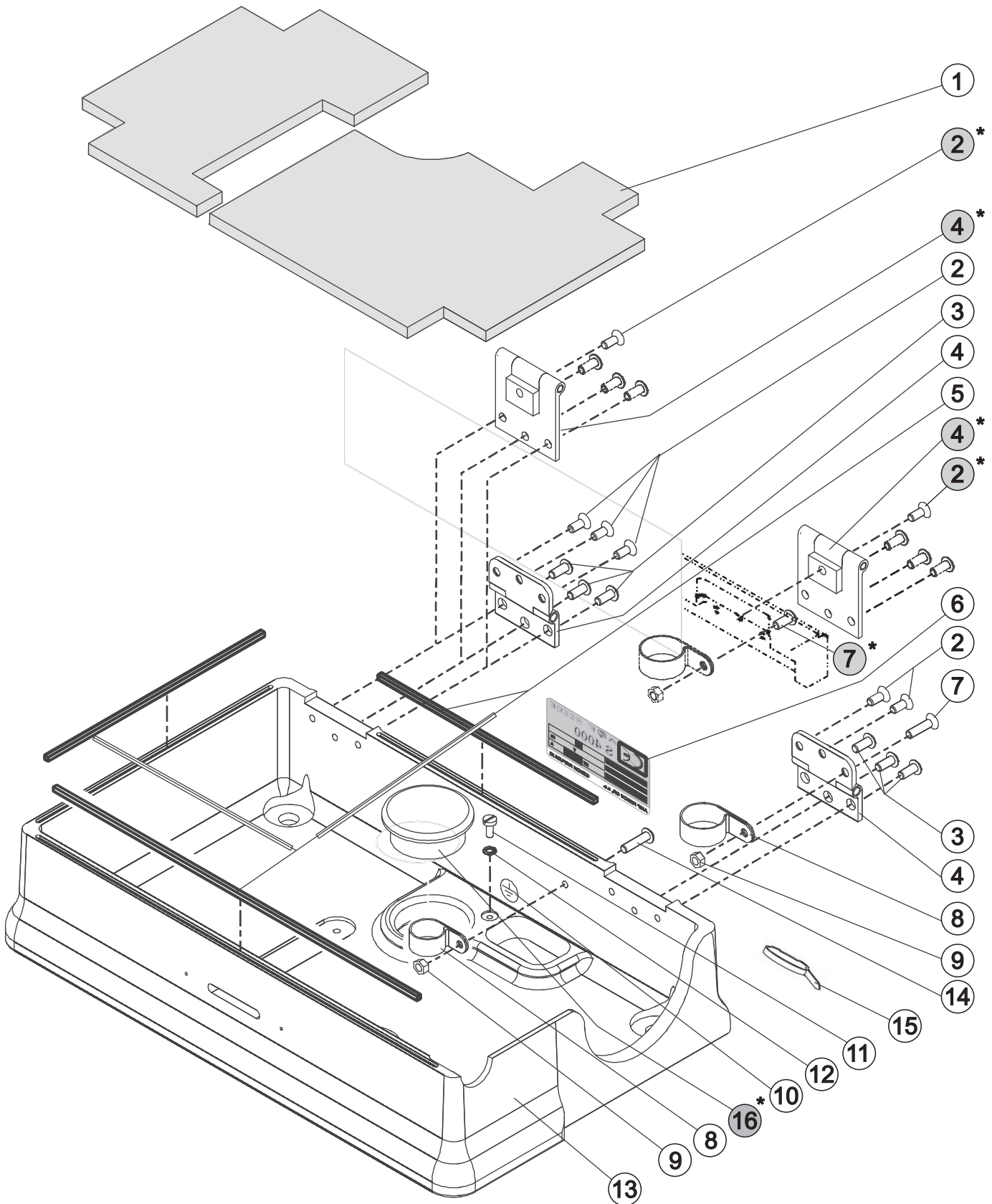
# LOOPER MECHANISM



## LOOPER MECHANISM

DET	PART NUMBER	DESCRIPTION	QTY.
01	08.6400.4.004	Set Screw M4 x 4	2
02	22.2442.0.000	Looper Spacer	2
03	22.2410.0.000	Looper Shaft Block	1
04	08.6100.5.020	Screw M5 x 20	2
05	22.2440.0.000	Looper Shaft	2
06	01.1382.0.000	Screw	1
07	20.0094.0.000	Trimmer Knife	1
08	20.0111.0.000	First Looper	1
09	23.2106.0.000	First Looper Holder	1
10	20.0112.0.000	Second Looper	1
11	01.1397.0.000	Screw	4
12	23.2107.0.000	Second Looper Holder	1
13	24.0066.0.000	Bearing Screw	2
14	12.2010.1.002	Cam Follower Bearing	2
15	22.0031.0.000	Bearing Spacer	2
16	22.0064.0.000	Bite Shoulder Screw	1
17	08.6000.3.010	Screw M3 x 10	1
18	22.0183.0.000	Collar	1
19	22.2425.0.050	Looper Link Assembly	1
20	22.0100.0.000	Shoulder Washer	3
21	07.6440.0.036	Spring	3
22	22.0024.0.000	Looper Cam Follower Plate ● ●●	1
23	08.6710.5.000	Hex Nut M5	2
24	22.0232.0.000	Flat Washer	1
25	08.6000.4.014	Screw M4 x 14	2
26	08.6800.4.000	Lockwasher M4	2
27	22.0021.0.000	Spring Retainer Block	1
28	22.0023.0.000	R.H. Looper Cam Follower Plate ● ●●	1
29	22.0105.0.000	Looper Eccentric Nut	1
30	22.0233.0.000	Flat Washer	1
31	22.0022.0.000	Pivot Shaft	1
32	08.6850.8.000	Flat Washer M8	1
33	08.6700.8.000	Hex Nut M8	1

# BASE

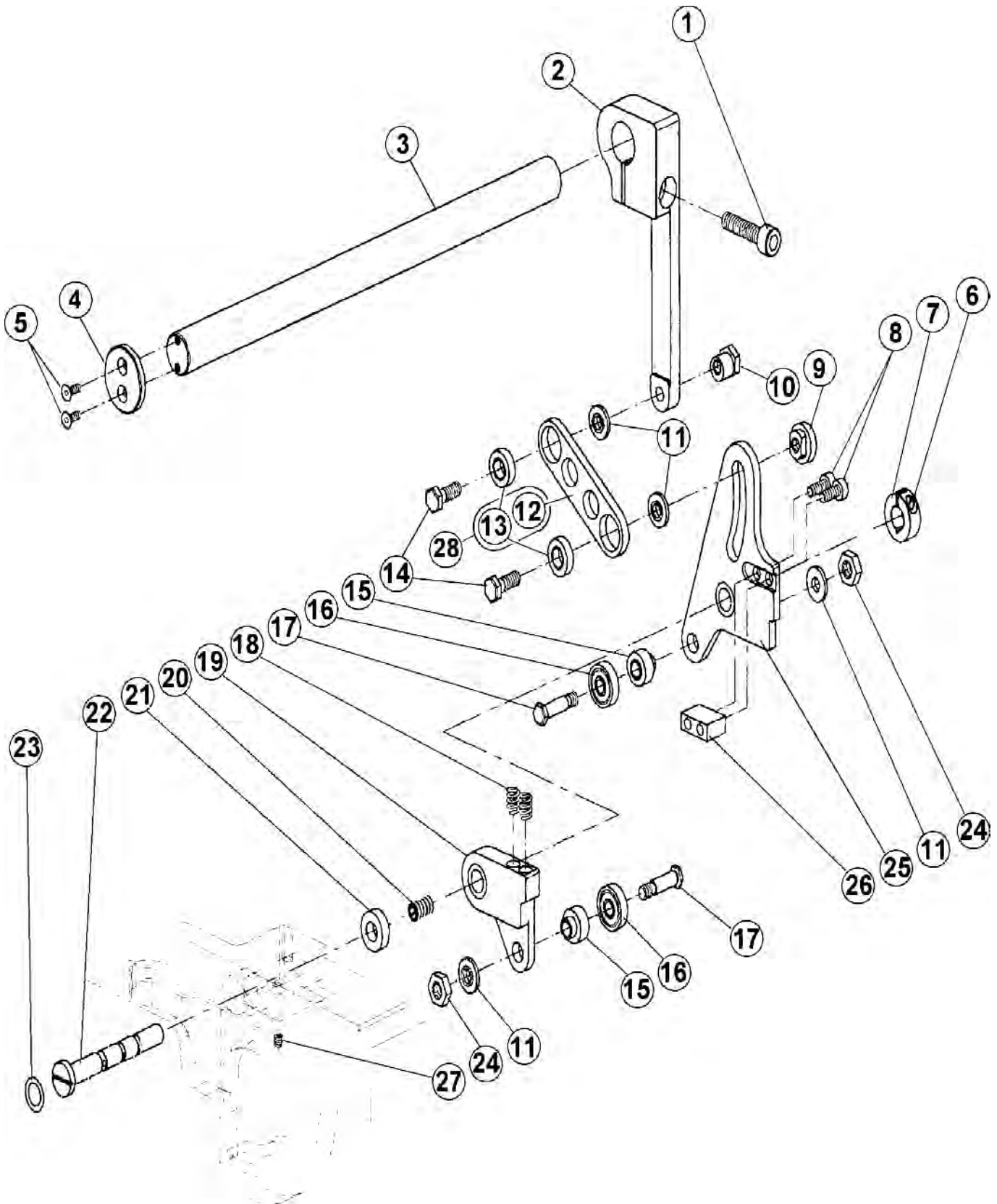


●\* — S4000 ISBH Embedded Machine





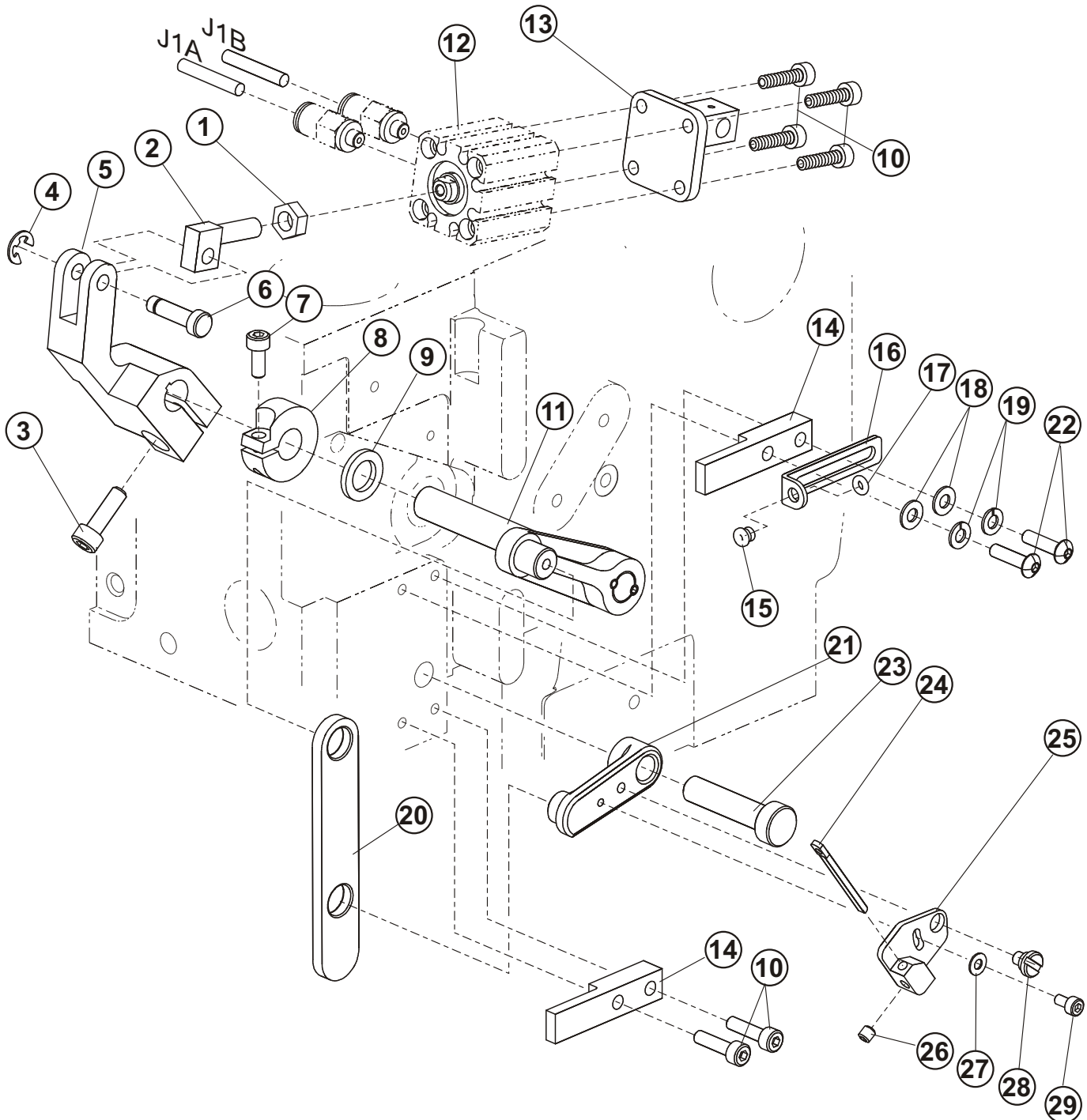
# BITE MECHANISM



## BITE MECHANISM

DET	PART NUMBER	DESCRIPTION	QTY.
01	08.6000.6.025	Screw M6 x 25	1
02	22.0008.0.000	Bite Lever ●	1
03	24.0055.0.000	Bite Shaft	1
04	22.0063.0.000	Bite Shaft Retainer	1
05	08.6100.3.008	Screw M3 x 8	2
06	08.6000.3.010	Screw M3 x 10	1
07	22.0183.0.000	Collar*Dia. 8	1
08	08.6000.4.014	Screw M4 x 14	2
09	22.0110.0.000	Shoulder Nut M5	1
10	22.0214.0.000	Eccentric Nut M5	1
11	22.0100.0.000	Shoulder Washer	4
12	22.0009.0.000	Bite Adjusting Link ●	(1)
13	07.6321.0.029	Bearing	(2)
14	22.0064.0.000	Bite Shoulder Screw	2
15	22.0029.0.000	Bite Follower Bearing Spacer	2
16	07.6321.0.025	Bearing	2
17	22.0028.0.000	Bite Follower Bearing Screw	2
18	07.6440.0.028	Spring	2
19	22.0027.0.000	Right Cam Follower ● ●	1
20	08.6400.4.005	Set Screw M4 x 5	1
21	22.0069.0.000	Bite Follower Spacer	1
22	22.0020.0.000	Bite Pivot Shaft	1
23	12.0008.6.800	Rubber Ring ● ● ●	1
24	08.6700.5.000	Hex Nut M5	2
25	24.0033.0.000	Left Cam Follower ● ●	1
26	22.0030.0.000	Bite Follower Spring Retainer	1
27	08.6400.4.004	Screw M4x4	1
28	22.0009.0.050	Bite Adjusting Link Assembly	1

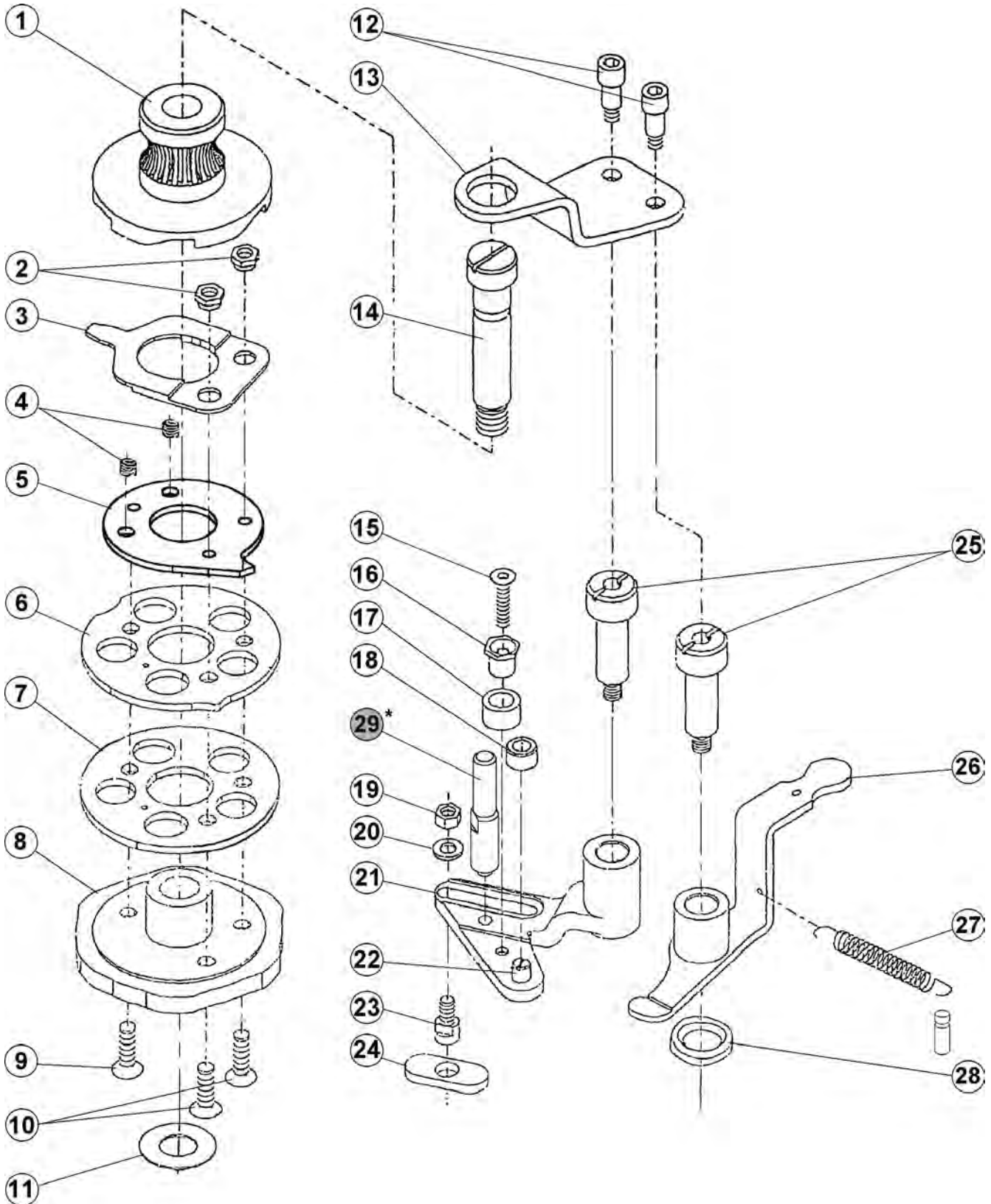
# THREAD DRAW-OFF MECHANISM



## THREAD DRAW-OFF MECHANISM

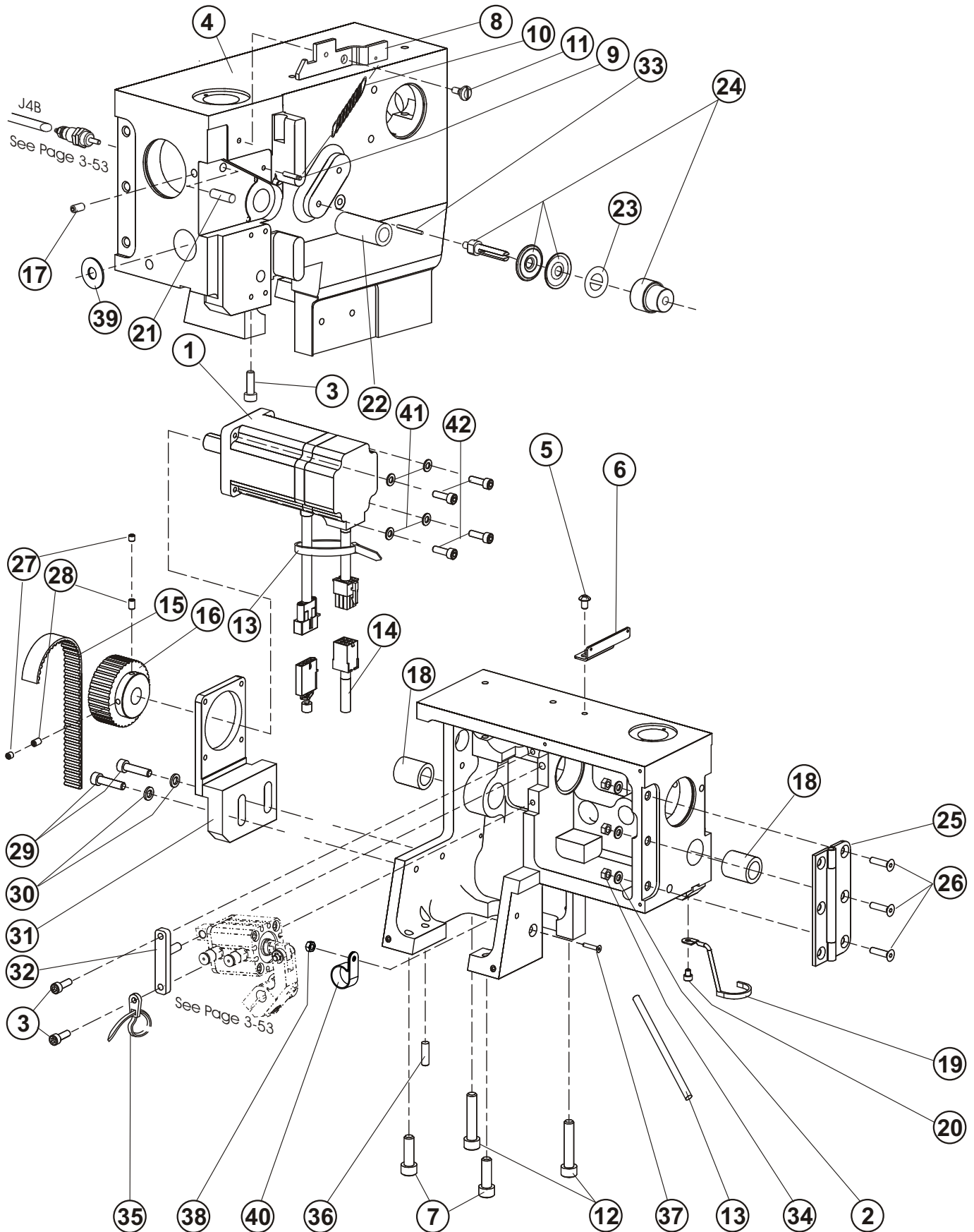
DET	PART NUMBER	DESCRIPTION	QTY.
01	08.6710.6.000	Nut M6 <span style="float: right;">●●●</span>	1
02	24.0037.0.000	Cylinder Clevis <span style="float: right;">●●●</span>	1
03	08.6000.5.016	Screw M5 x 16	1
04	07.6045.0.042	E-Clip	1
05	24.0011.0.000	Knife Drive Lever	1
06	24.0014.0.000	Pivot	1
07	08.6000.4.010	Screw M4 x 10	1
08	24.0010.0.000	Clamp Collar	1
09	24.0009.0.000	Washer	1
10	08.6000.4.016	Screw M4 x 16	6
11	22.1415.0.050	Knife Lever Assembly	1
12	See Page 3-53	Thread Draw-Off Cylinder	—
13	24.0039.1.000	Thread Draw-Off Bracket	1
14	22.1436.0.000	Drive Plate Retainer <span style="float: right;">● ●●●</span>	2
15	01.7447.1.000	Porcelain Guide	1
16	22.0046.0.000	Thread Guide Bracket	1
17	01.6551.0.000	Retaining Ring	1
18	08.6850.4.000	Flat Washer M4	2
19	08.6800.4.000	Lockwasher M4	2
20	24.1430.1.000	Drive Plate	1
21	24.0062.0.000	Knife Guide Link	1
22	08.6200.4.016	Screw M4 x 16	2
23	22.0161.0.000	Pivot Eccentric	1
24	22.0091.0.000	Thread Take-Up	1
25	24.0063.0.000	Thread Draw-Off	1
26	08.6400.4.004	Set Screw M4 x 4	1
27	08.6850.3.000	Washer M3	1
28	24.0061.0.000	Shoulder Screw	1
29	08.6000.3.006	Screw M3 x 6	1

# MAIN CAM





# HEAD ASSEMBLY

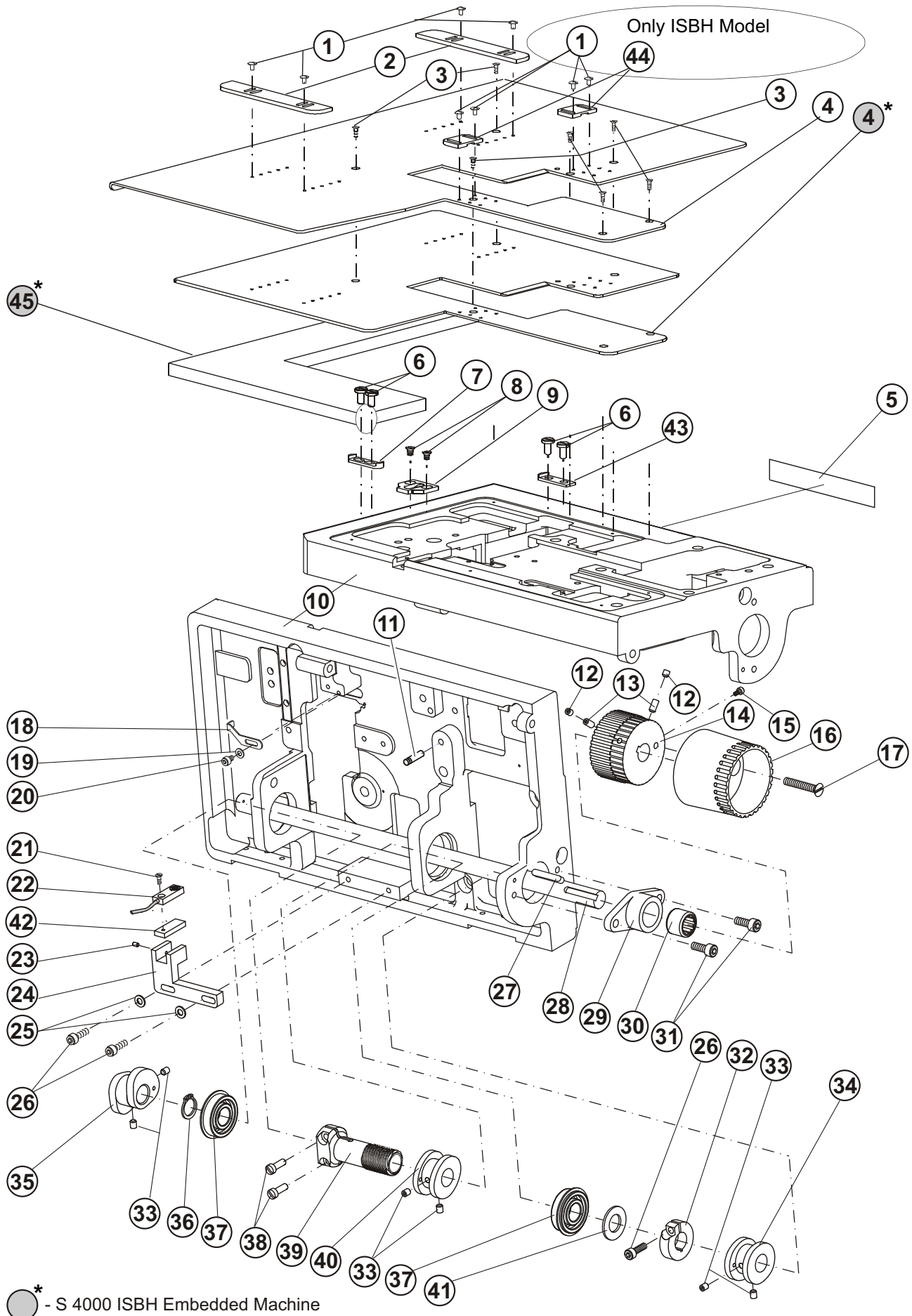




## HEAD ASSEMBLY

DET	PART NUMBER	DESCRIPTION	QTY.
01	See Page 3-37;41; 45	Servomotor	—
02	08.6850.5.000	Washer M5	3
03	08.6000.5.016	Screw M5 x 16	4
04	24.6000.5.000	Head	1
05	08.6200.5.008	Screw M5 x 8	1
06	22.0054.0.000	Upper Thread Guide	1
07	08.6000.8.025	Screw M8 x 25	2
08	22.0058.0.000	Sewing Head Latch	1
09	07.6045.0.037	Grooved Pin 3 x 16	1
10	07.6440.0.051	Latch Tension Spring	1
11	22.0062.0.000	Screw M4 x 3	1
12	08.6000.8.040	Screw M8x40	2
13	12.0008.4.072	Cable Tie ●	10
14	See Page 3-37;41; 45	Encoder Cable	—
15	12.5050.2.009	Belt ●●●	1
16	24.0108.0.000	Motor Pulley ●	1
17	08.6400.5.010	Screw M5 x 10	1
18	01.7806.0.000	Oilite Bushing ●●	2
19	24.0044.0.000	Needle Guard	1
20	08.6000.4.005	Screw M4 x 5	1
21	07.6045.0.053	Pin 6 x 20	1
22	22.1422.0.000	Knife Shaft Bushing	1
23	17.0082.8.082	Release Washer	1
24	24.0119.0.050	Large Tension Assembly ●●●	1
25	22.6002.0.000	Head Hinge Assembly	1
26	08.6100.5.020	Screw M5 x 20	3
27	08.6400.5.005	Set Screw M5 x 5	2
28	08.6400.5.008	Set Screw M5 x 8	2
29	08.6000.6.025	Screw M6 x 25	2
30	08.6850.6.000	Washer M6	2
31	24.0167.0.000	Motor Bracket	1
32	24.0016.0.000	Cylinder Pivot Stud Assembly	1
33	12.1010.2.003	Pin 2 x 24	1
34	08.6700.5.000	M5 Nut	3
35	12.0008.4.598	Plastic Cable Fitting ●●●	1
36	12.1011.0.001	Pin 6 x 20	1
37	08.6100.5.020	Screw M5 x 20	1
38	08.6700.5.000	Nut M5	1
39	24.0546.0.000	Washer	1
40	12.0008.4.100	Clamp pPlastic	1
41	08.6850.4.000	Washer M4	4
42	08.6000.4.016	Screw M4x16	4

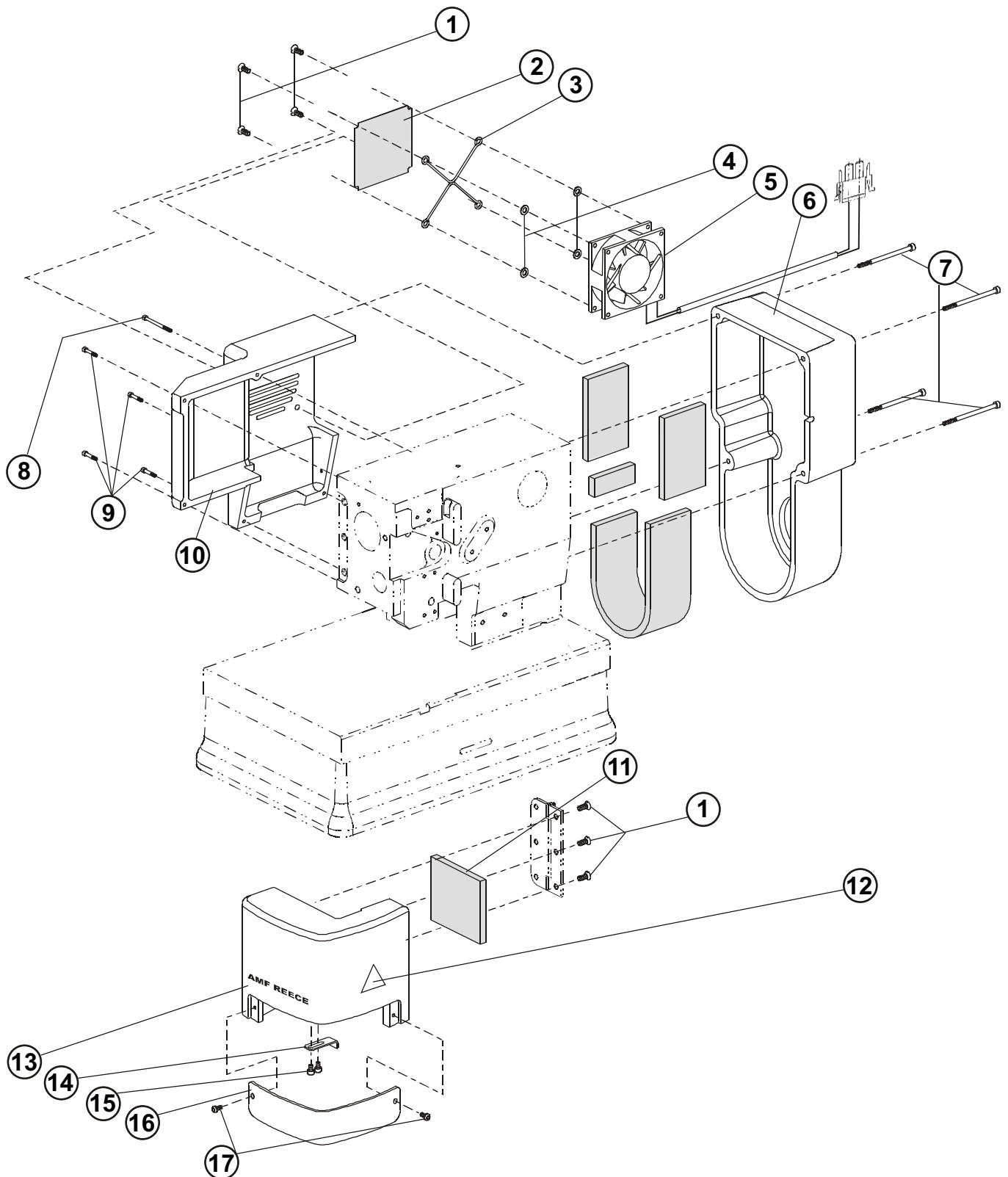
# BEDPLATE



# BEDPLATE

DET	PART NUMBER	DESCRIPTION	QTY.
01	22.3068.0.000	Screw (Only ISBH model)	8
01**	22.3068.0.000	Screw (Only ISBH+I model)	4
02	24.3054.0.000	Material Guide	2
03	08.6120.3.008	Screw M3 x 8	7
04	24.3055.0.000	Cover Plate	1
04*	24.3081.0.000	Cover Plate Embedded	1*
05	05.1394.0.000	AMF Reece Label - small	1
06	22.0143.0.000	Screw	4
07	22.3022.0.000	Front Stop	1
08	08.6100.4.006	Screw M4 x 6	2
09	22.0408.1.000	Trimmer Cover Plate	1
10	24.6100.1.000	Bedplate ISBH	1
11	07.6045.0.054	Pin 5 x 20	1
12	08.6400.5.005	Set Screw M5 x 5	2
13	08.6400.5.010	M5 x 10 Set Screw	2
14	24.0018.0.000	Main Shaft Drive Pulley ●	1
15	08.6000.3.006	Screw M3 x 6	1
16	24.0051.0.066	Hand Wheel ●	1
17	08.6100.6.035	Screw M6 x 35	1
18	22.3219.0.000	Needle Guard	1
19	08.6850.4.000	Washer M4	1
20	08.6000.4.006	Screw M4 x 6	1
21	08.6100.3.008	Screw M3 x 8	1
22	See Page 3-37;41	End of Cycle Sensor with Cable ●●●	—
22**	See Page 3-45	End of Cycle Sensor with Cable — ISBH+I ●●●	—
23	08.6400.3.004	Set Screw M3 x 4	1
24	24.0020.0.000	End of Cycle Sensor Bracket	1
25	08.6850.5.000	Washer M5	2
26	08.6000.5.016	Screw M5 x 16	3
27	12.4030.0.002	Key 5x5x30	1
28	24.1000.0.000	Main Shaft	1
29	24.0019.0.000	Bearing Carrier Lower Shaft	1
30	12.2050.0.005	Bearing	1
31	08.6000.6.016	Screw M6 x 16	2
32	24.0002.0.000	Clamp Collar	1
33	08.6400.5.305	Set Screw M5 x 0.5-5	6
34	22.0006.0.000	Bite Cam	1
35	24.2400.0.000	Looper Cam	1
36	12.1045.2.001	Retaining Ring	1
37	01.7805.0.000	Shaft Bearing	2
38	22.0153.0.000	Screw	2
39	22.8400.0.000	Shaft Worm Gear	1
40	22.0300.0.000	Feed Cam	1
41	22.0545.0.000	Washer	1
42	24.0027.0.000	Sensor Mounting Plate	1
43	22.0115.0.000	Stop	1
44	22.3064.0.000	Pawl II (Only ISBH model)	1
45*	24.3085.0.000	Cover Sound Deadener	1*
*	Modification — S4000 ISBH Embedded Machine		
**	Modification — S4000 ISBH+I		

# COVERS

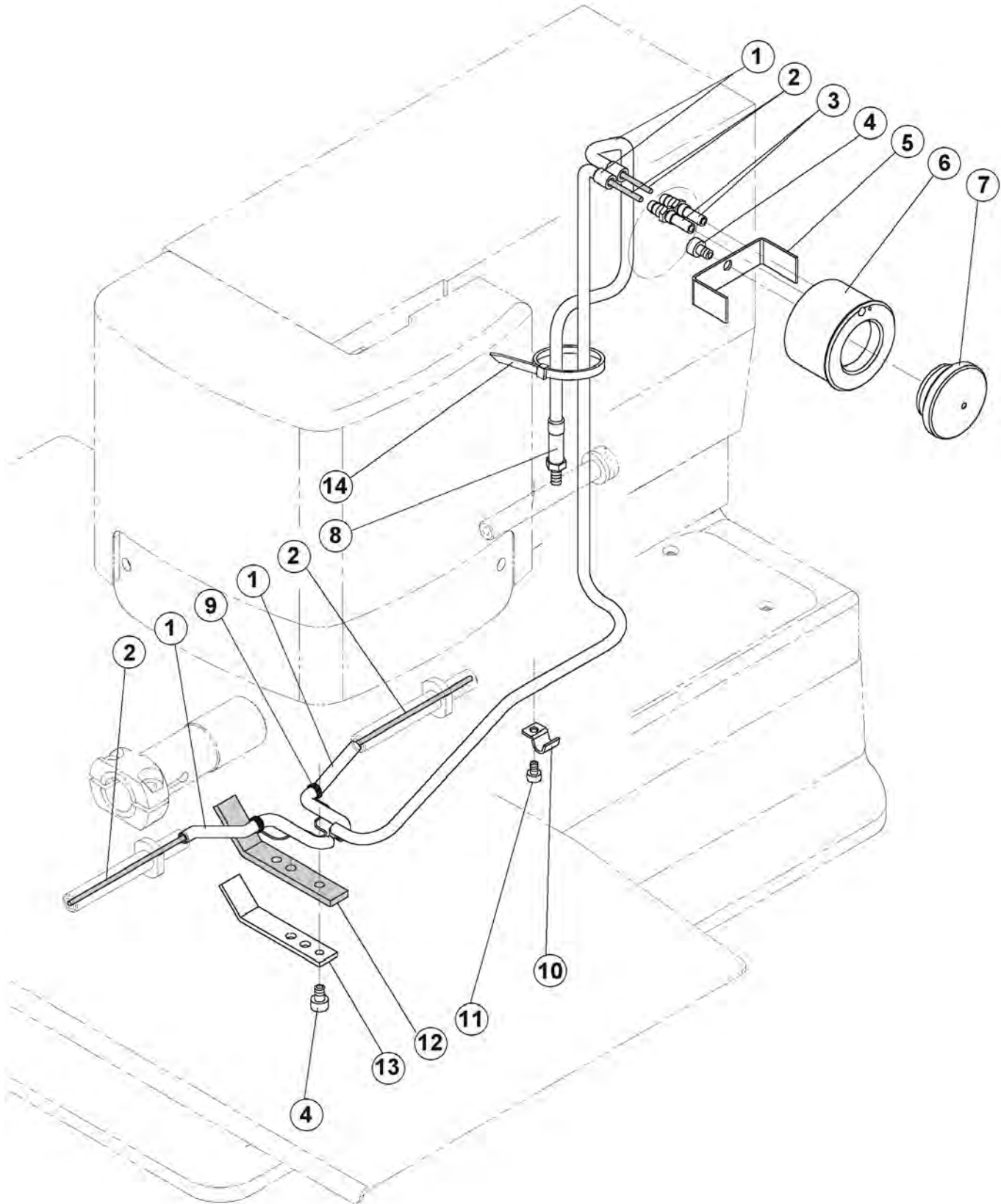


**COVERS**

DET	PART NUMBER	DESCRIPTION	QTY.
01	08.6100.5.016	Screw M5 x 16	7
02	24.0068.0.000	Net ●●●	1
03	24.0067.0.000	Fan Rack	1
04	08.6850.5.000	Washer M5	4
05	See Page 3-37;41	Fan Assembly	—
05*	See Page 3-45	Fan Assembly	—
06	24.6004.1.001	Pulley Cover ●	1
07	08.6000.4.070	Screw M4 x 70	4
08	08.6000.3.040	Screw M3 x 40	1
09	08.6000.3.016	Screw M3 x 16	4
10	24.6001.2.000	Head Rear Cover ●	1
11	24.0112.0.000	Cover Sound Deadener ●●●	1
12	—	Label	1
13	24.6003.0.000	Needle Bar Cover ●	1
14	22.0057.0.000	Cover Latch	1
15	08.6000.4.006	Screw M4 x 6	2
16	24.0154.0.000	Eye Shield ●●●	1
17	08.6200.4.008	Screw M4 x 8	2

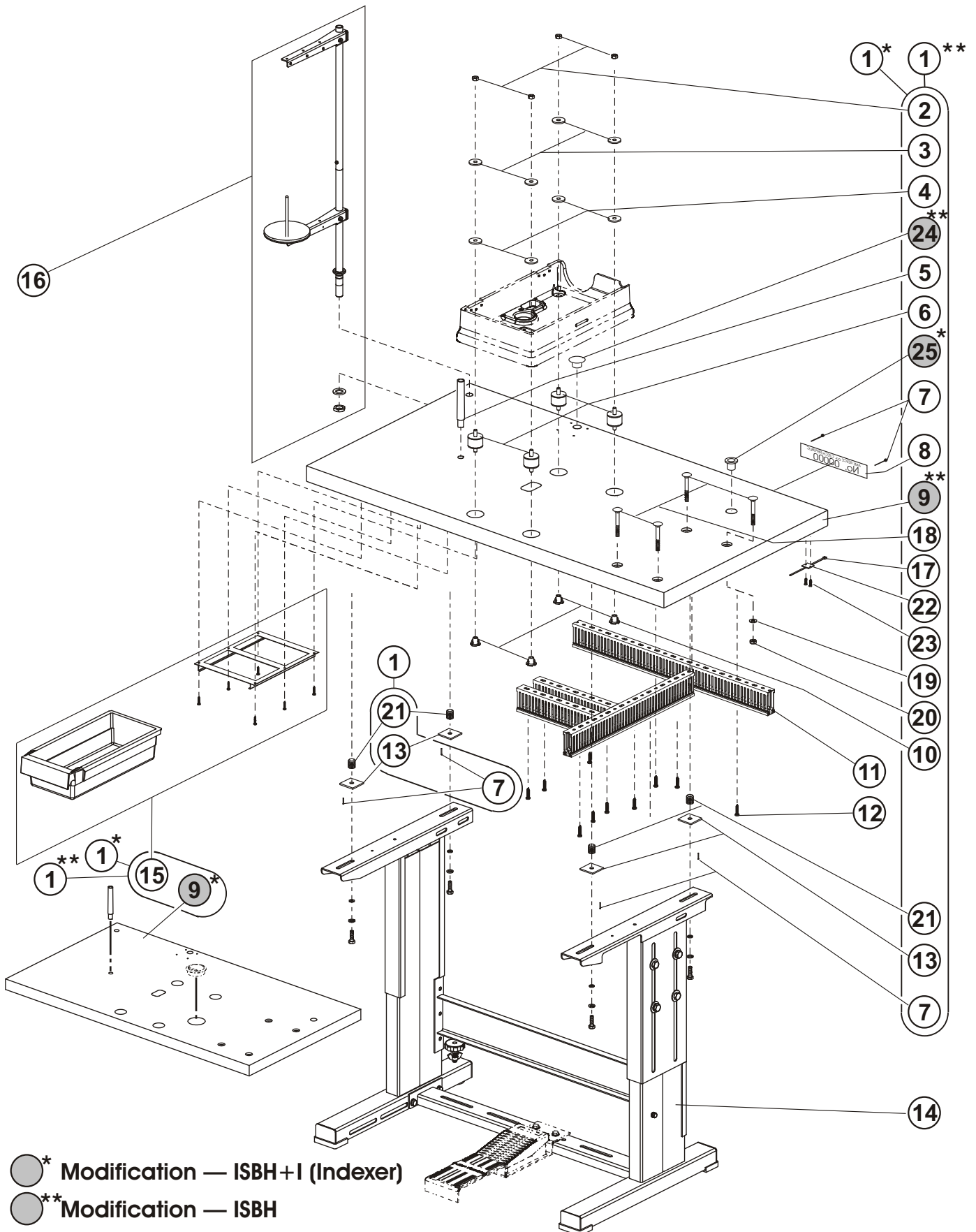
\* Modification — ISBH+I (Indexer)

# LUBRICATION





**TABLE**



●\* Modification — ISBH+I (Indexer)

●\*\* Modification — ISBH



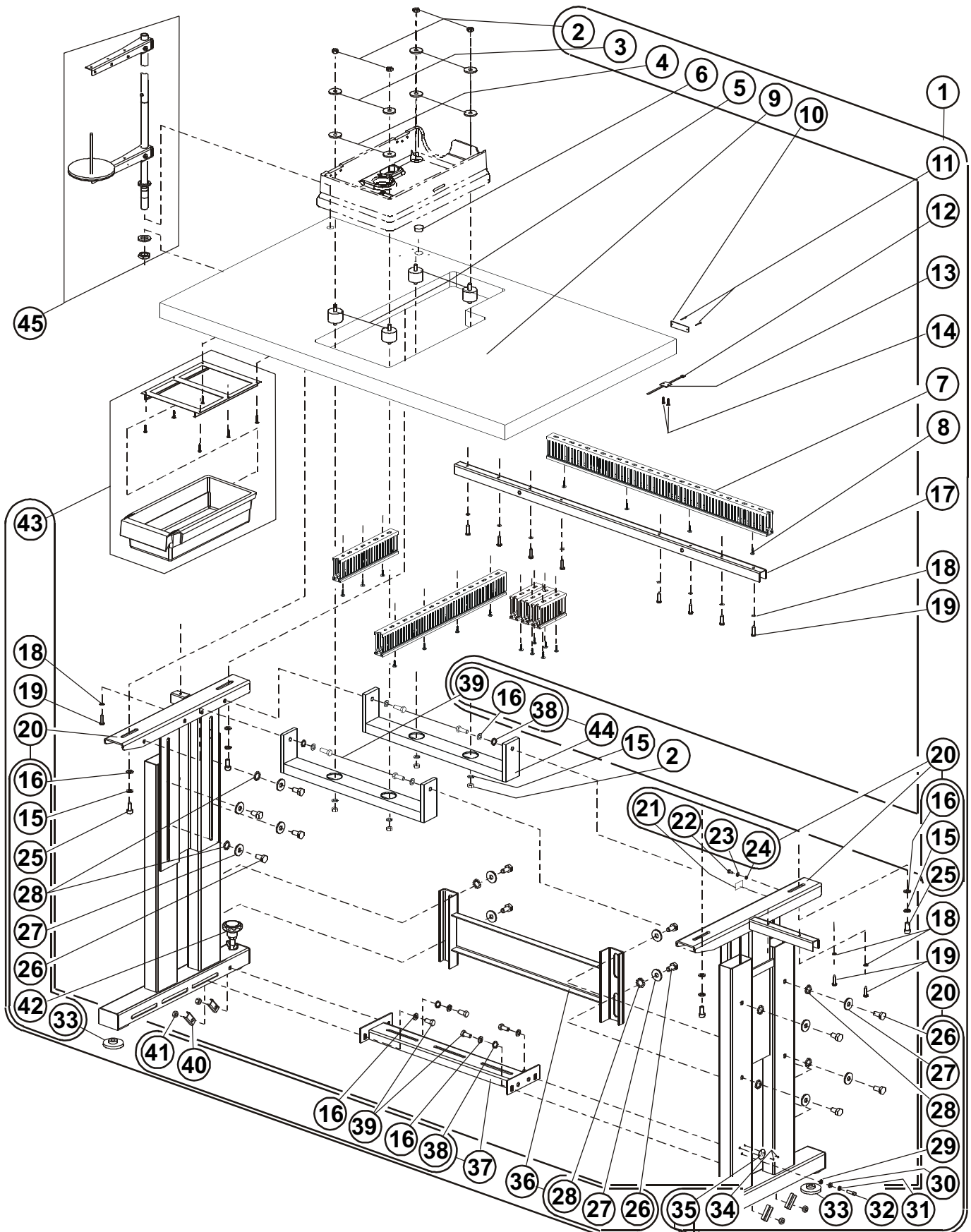
**TABLE**

DET	PART NUMBER	DESCRIPTION	QTY.
01**	24.0142.0.050	Table Assembly ISBH	1
01*	04.9024.0.003	Table Assembly ISBH+I	1
02	08.6700.8.000	M8 Nut	(4)
03	17.0019.0.441	Washer	(4)
04	17.0095.1.272	Washer ●●●	(4)
05	12.0008.6.900	Machine Rest Table Pin	(1)
06	12.0008.6.801	Rubber Spring ●●●	(4)
07	12.1016.1.000	Nail ●●●	(6)
08	04.1416.0.003	Label "No. xxxx"	(1)
09**	24.0142.0.000	Table ●●●	(1)
09*	04.9024.0.901	Table ISBH+I ●●●	(1)
10	08.6742.8.000	M8 Nut	(4)
11	24.0069.9.063	Wire Raceway Kit ●●●	1
12	08.6663.5.025	Screw 4,8 - 25	10
13	17.0094.0.200	Washer ●●●	(4)
14	04.9000.2.123	Frame Kit	1
15	12.0008.6.901	Drawer Kit ●●●	(1)
16	22.0219.0.000	Thread Stand	1
17	12.0008.3.023	Ty-wrap ●●●	(1)
18	08.6532.8.050	Screw M8x50	(4)
19	08.6852.8.000	Washer	(4)
20	08.6702.8.000	Nut	(4)
21	08.6752.8.000	Nut	(4)
22	12.0008.4.058	Clip	(1)
23	08.6652.3.016	Screw 3 x 16	(2)
24**	12.0008.4.777	Plug	1**
25*	84.0005.7.135	Slide Bearing (OMRON)	(1)

\* Modification — ISBH+I (Indexer)

\*\* Modification — ISBH

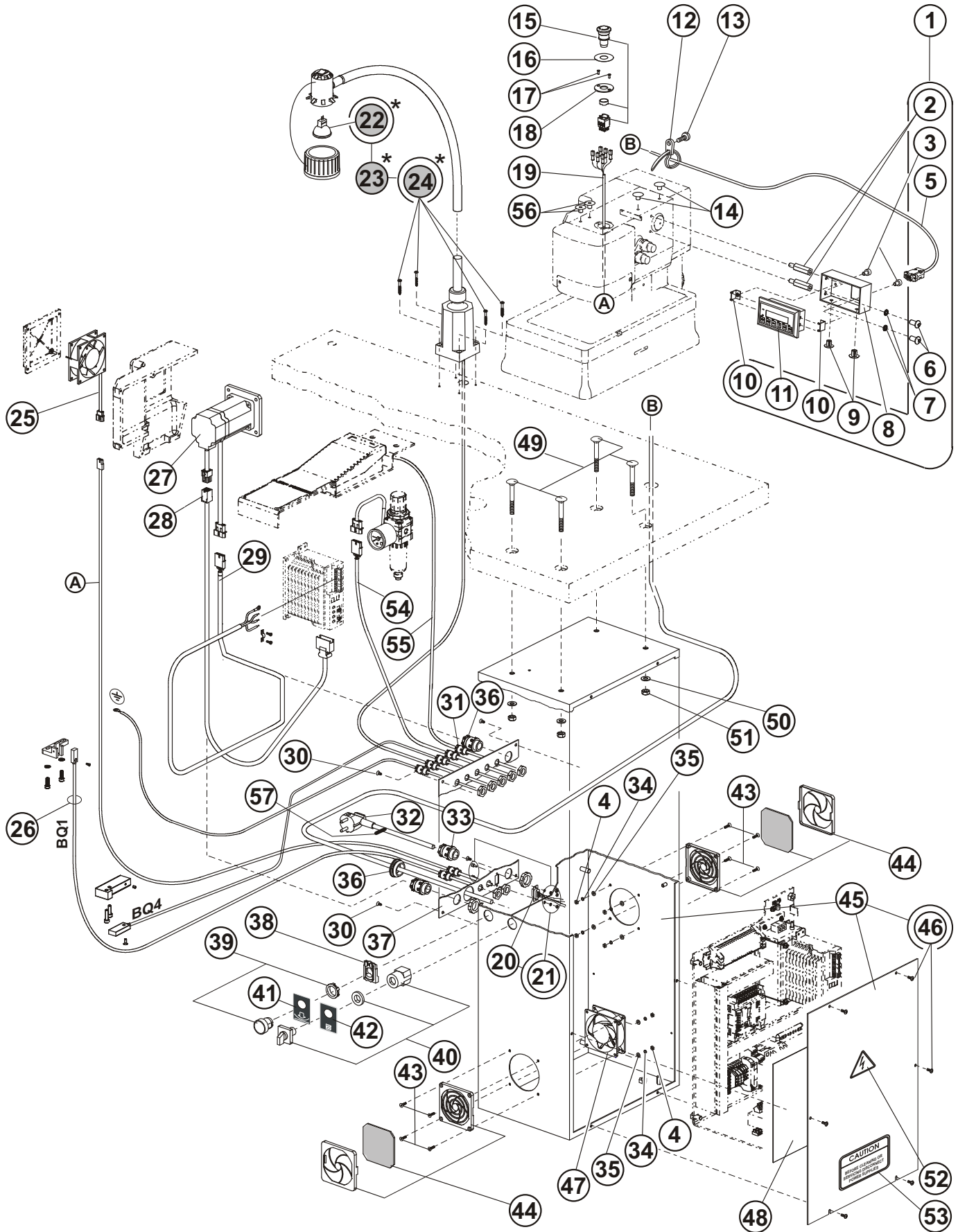
# TABLE EMBEDDED - ISBH



**TABLE EMBEDDED - ISBH**

DET	PART NUMBER	DESCRIPTION	QTY.
01	04.9024.0.001	Frame Assembly	1
02	08.6700.8.000	Nut M8	(8)
03	17.0019.0.441	Washer	(4)
04	17.0095.1.272	Rubber Washer ●●●	(4)
05	12.0008.6.801	Rubber Spring	(4)
06	12.0008.4.777	Plug	(1)
07	24.0069.9.040	Latch For Kit ●●●	(1)
08	08.6676.3.020	Screw 3,5 x 20	(17)
09	04.9024.0.900	Table ●●●	(1)
10	04.1416.0.003	Label "No. xxxx"	(1)
11	12.1016.1.000	Nail	(2)
12	12.0008.3.023	Ty-wrap ●●●	(1)
13	12.0008.4.058	Clip	(1)
14	08.6652.3.016	Screw 3 x 16	(2)
15	08.6802.8.000	Spring Washer	(4)+((4))
16	08.6852.8.000	Washer	(4)+(4)+((4))
17	04.9024.0.361	Reinforcement Crossbar	(1)
18	08.6852.5.000	Washer M5	(11)
19	08.6663.5.025	Screw 4,8 x 25	(11)
20	04.9024.0.002	Frame Assembly	(1)
21	12.0008.4.052	Label	((1))
22	08.6012.4.010	Screw M4 x 10	((1))
23	08.6852.4.000	Washer 4,3	((1))
24	08.6832.4.000	Lock Washer M4	((1))
25	08.6312.8.025	Screw M8 x 25	((4))
26	08.6312.0.020	Screw M10 x 20	((12))
27	08.6882.0.000	Washer M10	((12))
28	08.6832.0.000	Washer 10,5	((8+2+2))
29	08.6832.6.000	Lock Washer M6	((1))
30	08.6852.6.000	Washer 6,4	((1))
31	08.6802.6.000	Spring Washer	((1))
32	08.6312.6.020	Screw M6 x 20	((1))
33	12.0008.6.813	Rubber Washer ●●●	((3))
34	12.1016.0.000	Drive Screw	((2))
35	17.0081.6.225	Label	((1))
36	04.9000.0.225	Crossbar Rear	(1)
37	04.9000.0.125	Crossbar Down	(1)
38	08.6832.8.000	Lock Washer M8	((2)+(2))
39	08.6312.8.020	Screw	((4)+(4)+4)
40	12.0008.6.964	Washer - U	((4))
41	08.6702.8.000	Nut M8	(4)
42	12.0008.6.965	Yielding Support	(1)
43	12.0008.6.901	Drawer Kit ●●●	(1)
44	04.9000.0.345	Crossbar Up Assembly	((1))
45	22.0219.0.000	Thread Stand	1

# ELECTRICAL (ISBH) - I



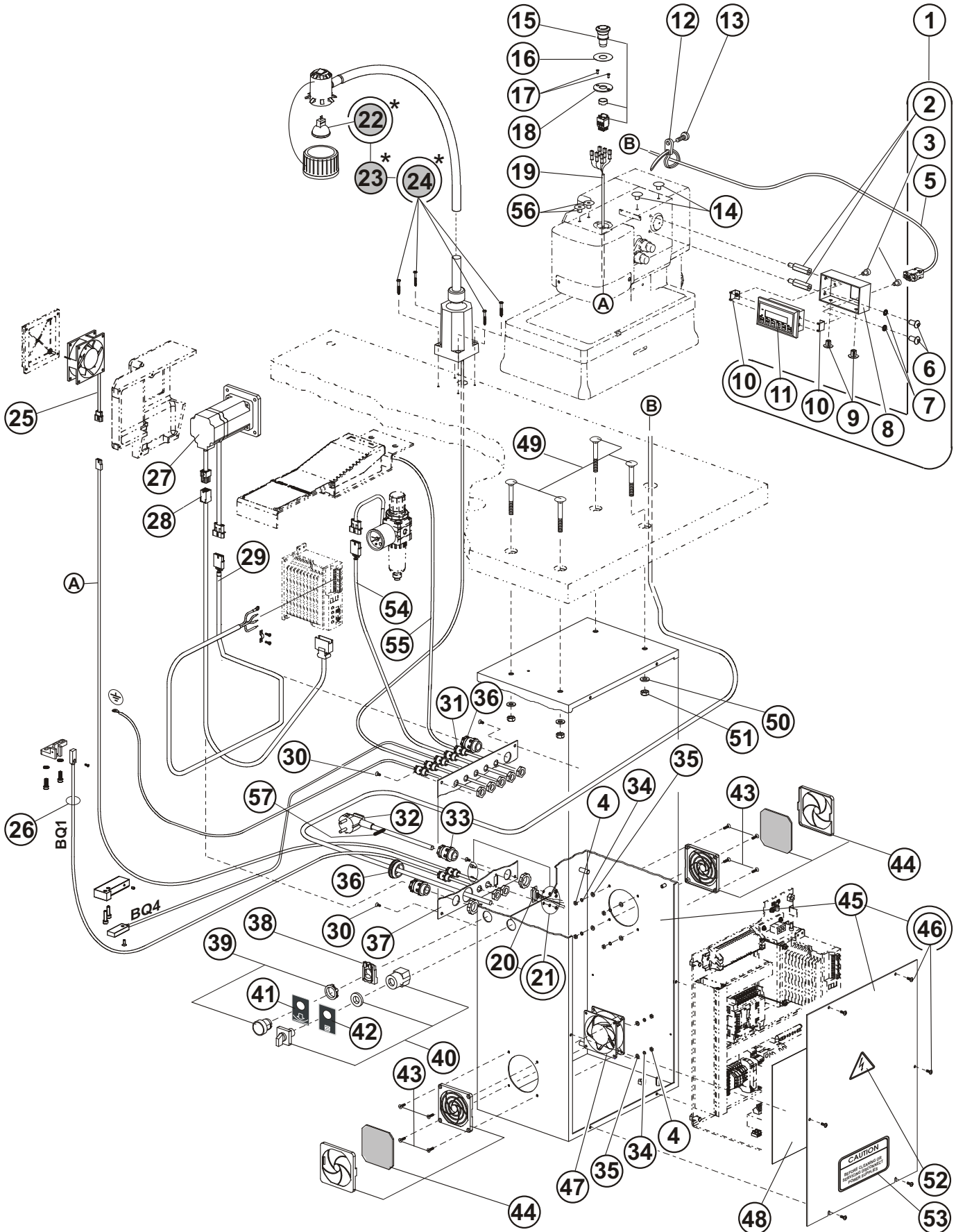
# ELECTRICAL (ISBH) - I



DET	PART NUMBER	DESCRIPTION	QTY.
01	03.5524.0.024	Panel Kit OMRON	1
02	12.0008.4.565	Screw	(2)
03	08.6000.4.006	Screw	(2)
04	08.6702.4.000	Nut M4	8
05	06.2400.0.003	Cable	(1)
06	08.6200.6.012	Screw	(2)
07	08.6832.6.000	Serrated Washer	(2)
08	24.0146.0.000	Display Box	(1)
09	12.0008.4.571	Plug	(2)
10	24.0147.0.000	Panel Holder	(2)
11	24.8001.2.002	Display OMRON	(1)
12	See Page 3-2	Plastic Cable Fitting	1
13	See Page 3-2	Screw M6 x 16	1
14	12.0008.4.570	Plug	1
15	12.0008.4.563	Emergency Stop Button	1
16	12.8000.0.047	Label	1
17	08.6102.3.008	Screw	2
18	24.0148.0.000	Emergency Stop Cover	1
19	06.2400.0.012	Emergency Stop/fan cable	1
20	06.2400.0.010	Cable X3	1
21	12.0008.4.710	Screw Kit	1
22*	12.0008.4.679	Bulb 12V/12W	(1)*
23*	12.0008.4.403	Halogen Lamp Kit 12 V Assembly	1*
24*	—	Screw	(4)*
25	24.0059.9.069	Fan	1
26	06.2400.0.009	End of Cycle Sensor BQ1	1
27	12.0010.4.177	Servomotor OMRON	1
28	12.0010.4.178	Encoder Cable	1
29	12.0010.4.179	Motor Power Cable	1
30	08.6100.4.010	Screw	4
31	12.0008.4.207	Bushing ●●●	7
32	12.0008.4.885	Cable Flexo	1
33	12.0008.4.231	Bushing PG 13,5	1
34	08.6802.4.000	Washer	4
35	08.6852.4.000	Washer	4
36	12.0008.4.366	Plug PG 29	2
37	04.9024.0.652	Connectors Plate ISBH	1
38	12.0008.4.863	Switch Unit NO	1
39	12.0008.4.861	Switch (Black)	1
40	12.0008.4.835	Switch ON — OFF	1
41	12.8000.0.041	Label (Clamp Up/Down)	1
42	12.8000.0.040	Label (Main Switch)	1
43	08.6100.4.020	Screw	8
44	12.0008.4.472	Fan Cover With Filter ●●●	2
45	70.4165.1.125	Electrical Box	1
46	08.6032.4.010	Screw M4x10	(6)

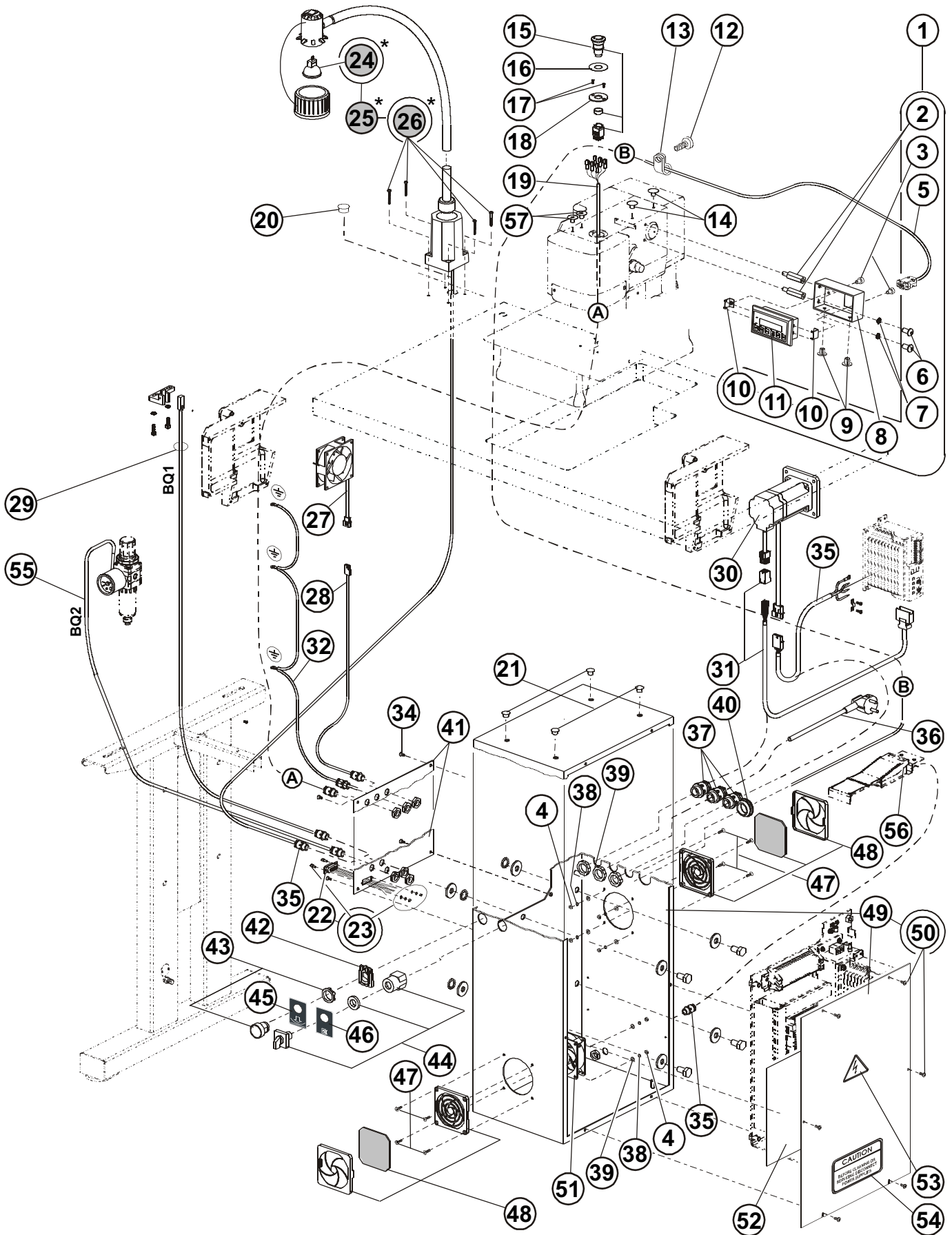
\* — Extra parts

# ELECTRICAL (ISBH) - I






# ELECTRICAL (ISBH) - I TABLE EMBEDDED



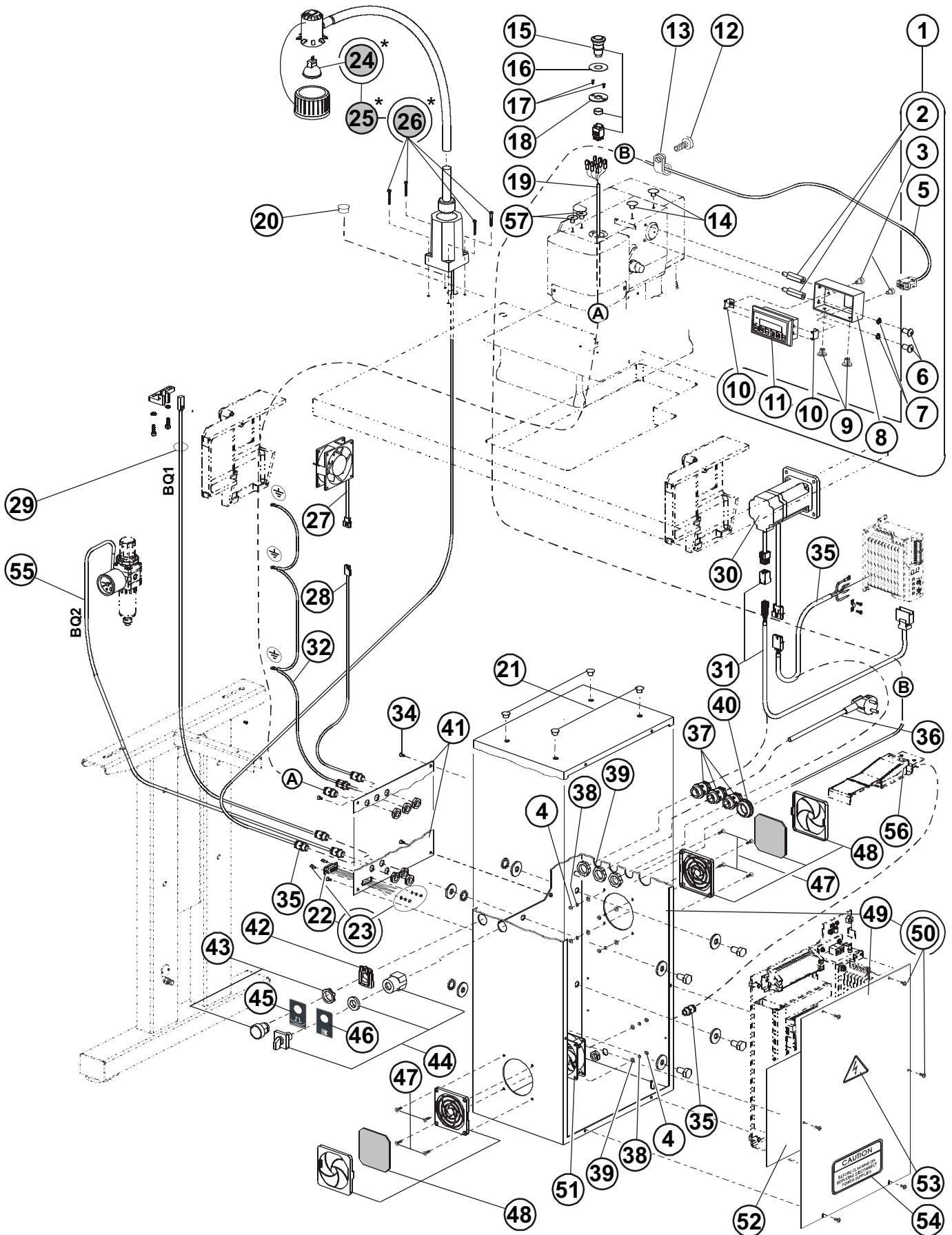


**ELECTRICAL (ISBH) - I TABLE EMBEDDED**


DET	PART NUMBER	DESCRIPTION	QTY.
01	03.5524.0.009	Panel Kit	1
02	12.0008.4.565	Screw	(2)
03	08.6000.4.006	Screw	(2)
04	08.6702.4.000	Nut M4	8
05	12.0008.4.574	Cable	(1)
06	08.6200.6.012	Screw	(2)
07	08.6832.6.000	Serrated Washer	(2)
08	24.0146.0.000	Display Box	(1)
09	12.0008.4.571	Plug	(2)
10	24.0147.0.000	Panel Holder	(2)
11	24.8001.1.005	Display Omron	(1)
12	See Page 3-2	Plastic Cable Fitting	—
13	See Page 3-2	Screw	—
14	12.0008.4.570	Plug	2
15	12.0008.4.563	Emergency Stop Button	1
16	12.8000.0.047	Label	1
17	08.6102.3.008	Screw	2
18	24.0148.0.000	Emergency Stop Cover	1
19	24.0069.9.023	Emergency Stop Cable	1
20	12.0008.4.777	Plug	1
21	12.0008.4.215	Plug	4
22	24.0069.9.004	Cable	1
23	12.0008.4.710	Screw Kit	1
24	12.0008.4.679	Bulb 12V/12W	(1)
25	12.0008.4.403	Halogen Lamp Kit 12 V Assembly	1
26	—	Screw	(4)
27	24.0059.9.069	Fan	1
28	24.0069.9.027	Fan Cable	1
29	24.0069.9.006	End of Cycle Sensor with Cable	1
30	24.0059.9.064	Servomotor Assembly	1
31	24.0069.9.042	Encoder Cable	1
32	—	Cable Ground	1
33	24.0069.9.043	Motor Power Cable	1
34	08.6100.4.010	Screw	4
35	12.0008.4.207	Bushing 	7
36	12.0008.4.713	Cable	1
37	12.0008.4.231	Bushing	3
38	08.6802.4.000	Washer	4
39	08.6852.4.000	Washer	4
40	12.0008.4.366	Plug PG 29	1
41	04.9024.0.650	Connectors Plate ISBH	1
42	12.0008.4.863	Block	1
43	12.0008.4.861	Switch (Black)	1
44	12.0008.4.835	Switch ON — OFF	1
45	12.8000.0.041	Label (Clamp Up/Down)	1

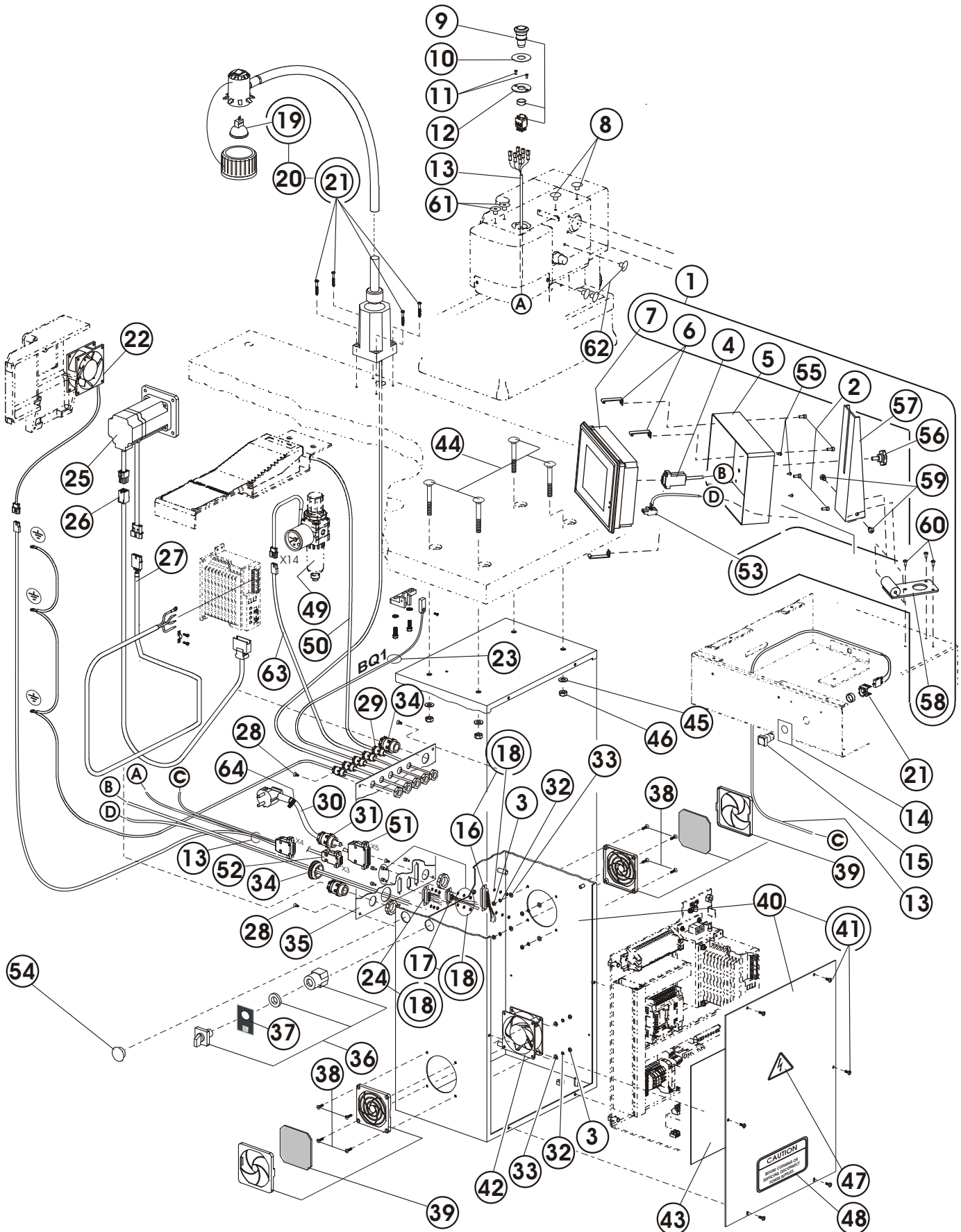
\* — Extra parts

# ELECTRICAL (ISBH) - I TABLE EMBEDDED





# ELECTRICAL (ISBH+I) - I

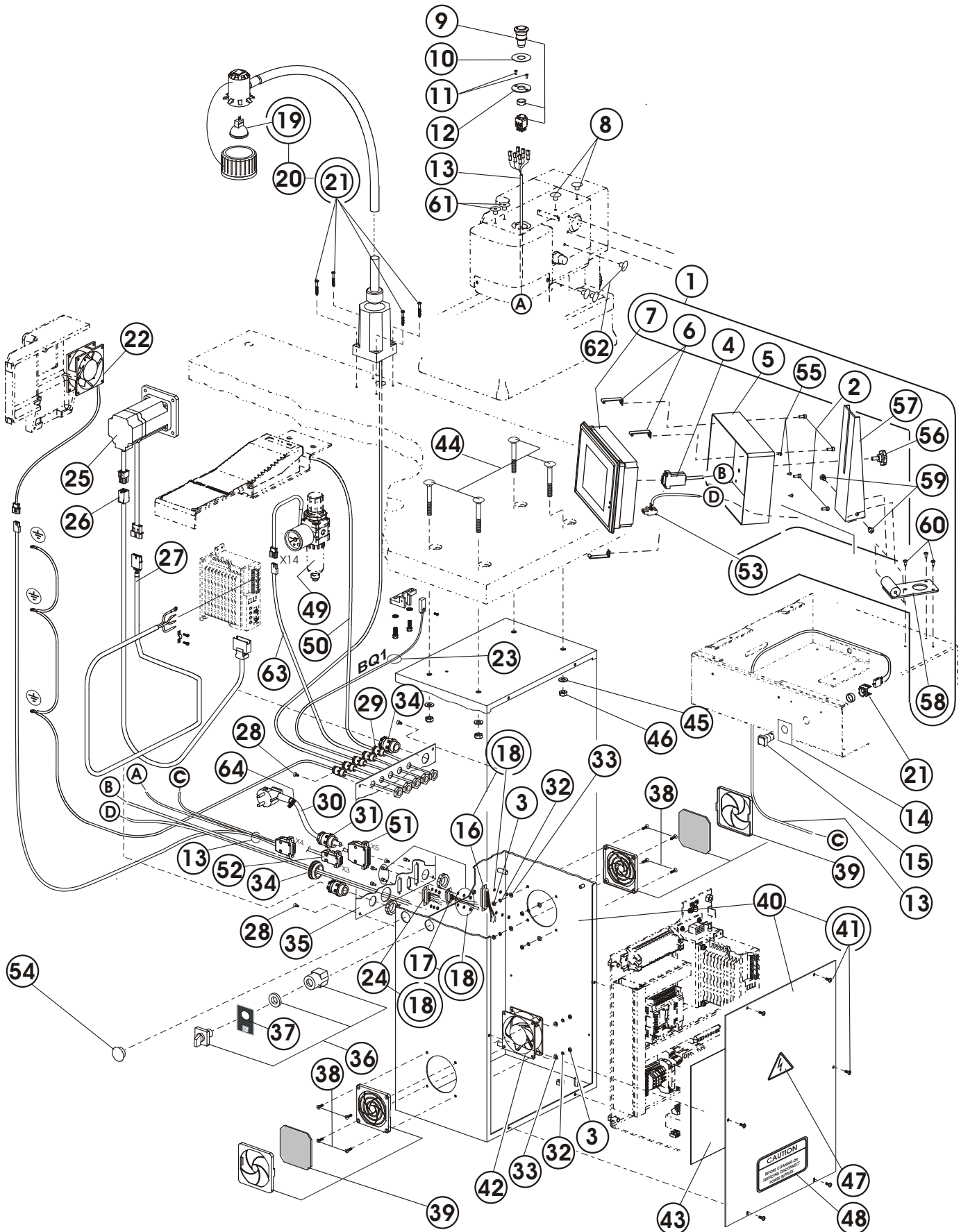


## ELECTRICAL (ISBH+I) - I



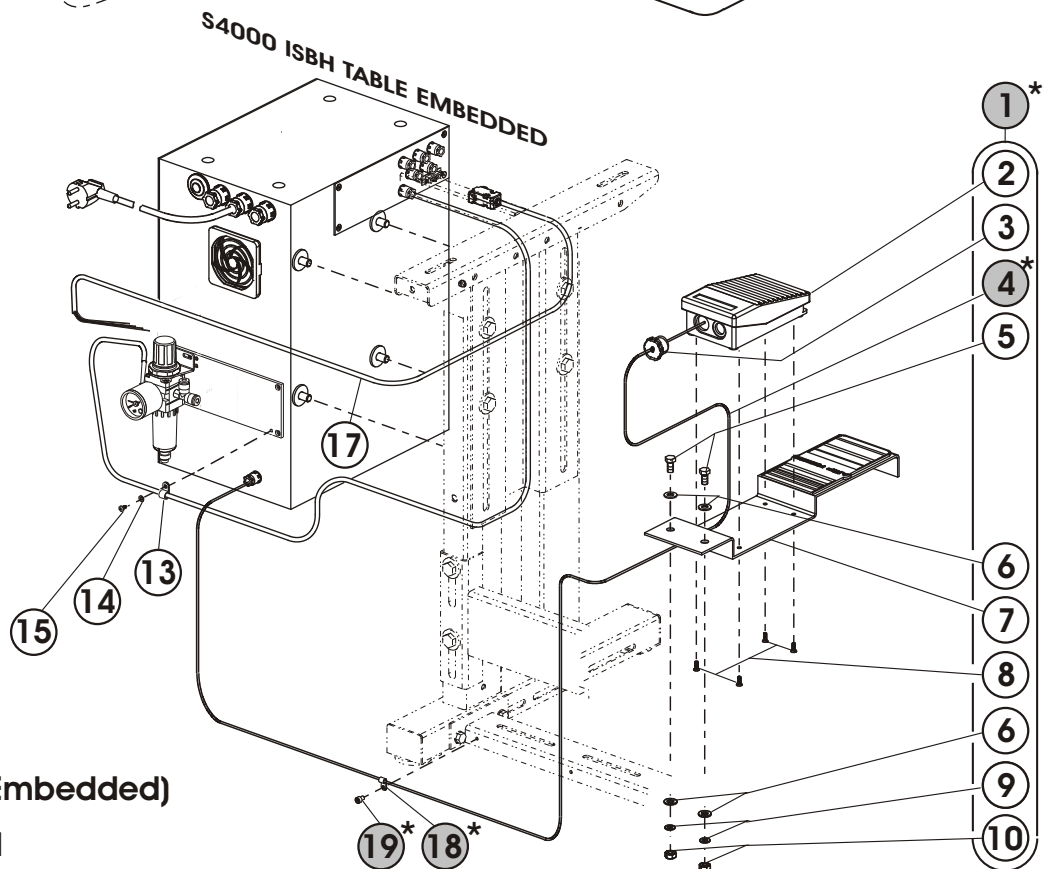
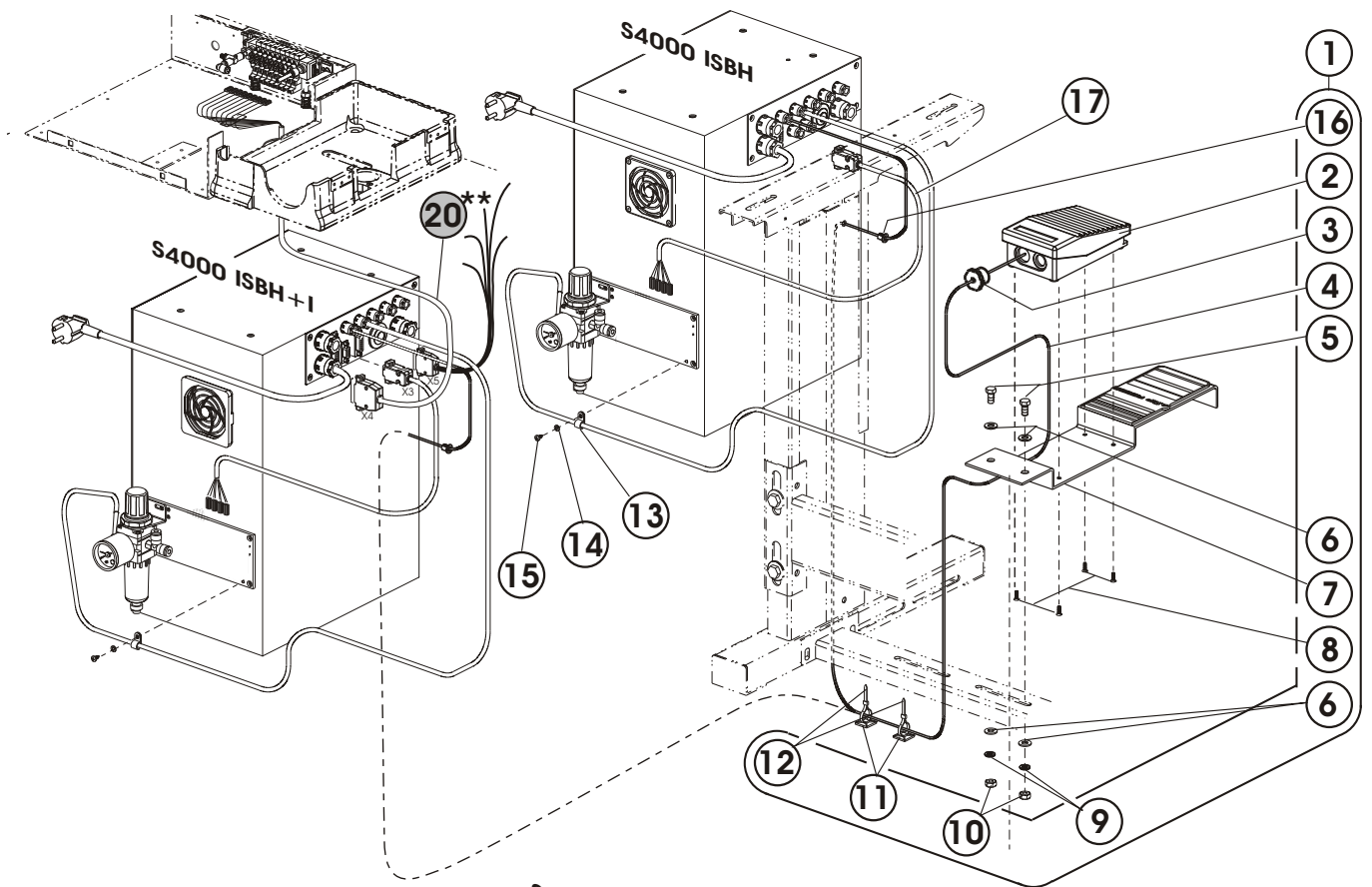
DET	PART NUMBER	DESCRIPTION	QTY.
01	03.5524.0.026	Panel Kit OMRON	1
02	08.6032.4.010	Screw	(3)
03	08.6702.4.000	Nut M4	8
04	06.2400.0.002	Cable Display	(1)
05	24.0169.0.000	Display Box	(1)
06	24.0168.0.000	Panel Holder	(3)
07	24.8001.2.003	Display (OMRON)	(1)
08	12.0008.4.570	Plug	(4)
09	12.0008.4.563	Emergency Stop Button	1
10	12.8000.0.047	Label	1
11	08.6102.3.008	Screw	2
12	24.0148.0.000	Emergency Stop Cover	1
13	06.2400.0.901	Cable X5	1
14	12.8000.0.048	Label	1
15	12.0008.4.742	Switch (Yellow) Indexer	1
16	06.2400.0.902	Cable X5	1
17	06.2400.0.010	Cable X3	1
18	12.0008.4.710	Screw Kit	(3)
19	12.0008.4.679	Bulb 12V/12W	(1)
20	12.0008.4.403	Halogen Lamp Kit 12 V Assembly	1
21	12.0008.4.698	Switch Unit NO	1
22	24.0059.9.069	Fan	1
23	06.2400.0.009	End of Cycle Sensor BQ1	1
24	06.2400.0.903	Cable X4	1
25	12.0010.4.177	Servomotor OMRON	1
26	12.0010.4.178	Encoder Cable	1
27	12.0010.4.179	Motor Power Cable	1
28	08.6100.4.010	Screw	4
29	12.0008.4.207	Bushing PG7 <span style="float: right;">●●●</span>	5
30	12.0008.4.885	Cable Flexo	1
31	12.0008.4.231	Bushing PG13,5	2
32	08.6802.4.000	Washer	8
33	08.6852.4.000	Washer	8
34	12.0008.4.366	Plug PG 29	1
35	04.9024.0.653	Connectors Plate ISBH+I	1
36	12.0008.4.835	Switch ON — OFF	1
37	12.8000.0.040	Label (Main Switch)	1
38	08.6100.4.020	Screw	8
39	12.0008.4.472	Fan Cover With Filter <span style="float: right;">●●●</span>	2
40	70.4165.1.125	Electrical Box	1
41	08.6032.4.010	Screw M4x10	(6)
42	24.0059.9.017	Fan assy.*	1
43	12.8000.0.152	Electrical Diagram Label	1
44	See Page 3-32	Screw M8 x 55	—
45	See Page 3-32	Washer	—
46	See Page 3-32	Nut	—

# ELECTRICAL (ISBH+I) - I





# ELECTRICAL II



- \* — S4000 ISBH (Embedded)
- \*\* — S4000 ISBH+I



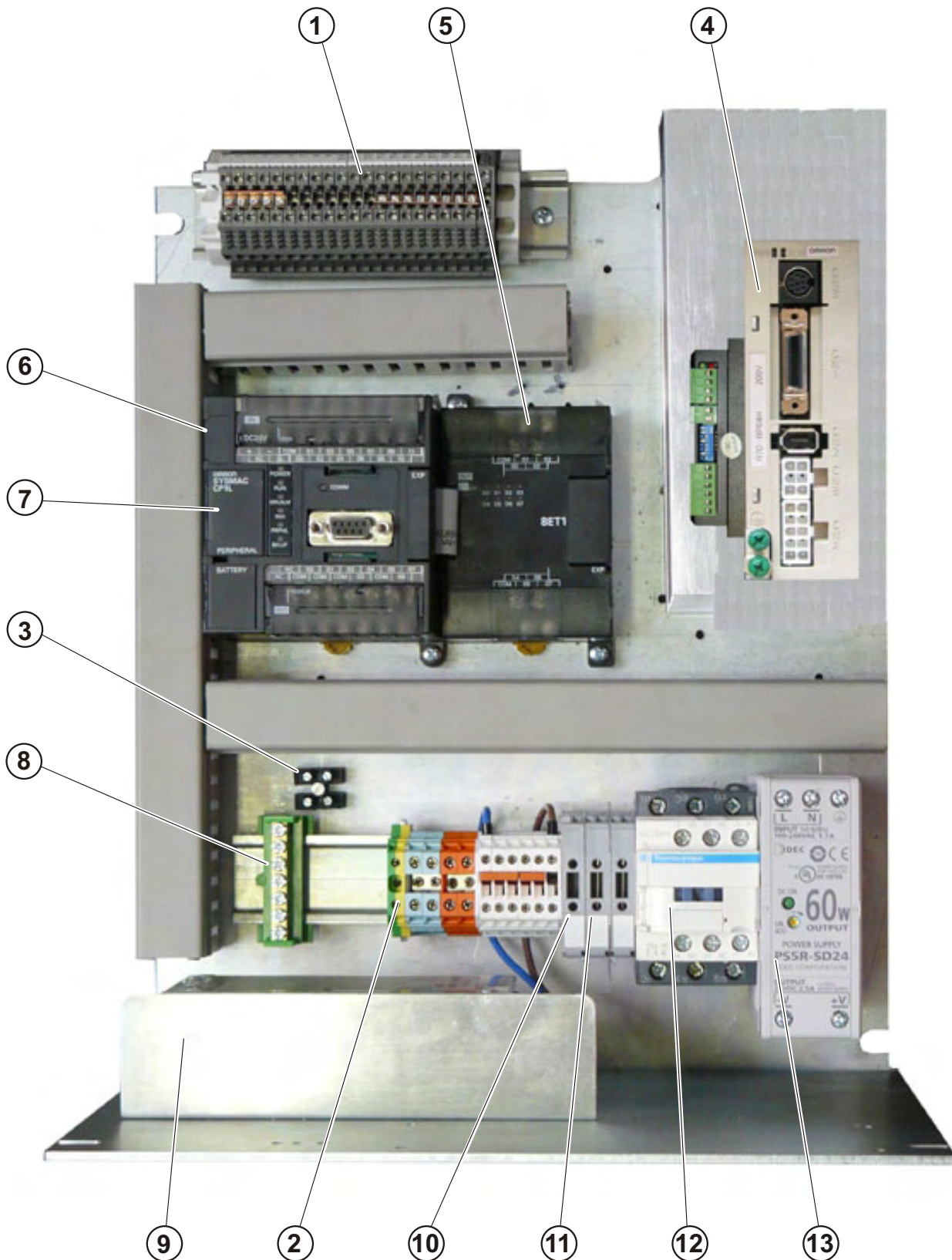
## ELECTRICAL II

DET	PART NUMBER	DESCRIPTION	QTY.
01	24.0069.9.009	Pedal Assembly	1
01*	24.0069.9.038	Pedal Assembly	1*
02	06.8800.0.001	Pedal ●●●	(1)
03	12.0008.4.296	Bushing ●●●	(1)
04	24.0069.9.003	Cable	(1)
04*	24.0069.9.306	Cable	(1)*
05	08.6312.8.020	Screw M8x20	(2)
06	08.6852.8.000	Washer M8	(4)
07	24.0097.0.000	Holder Pedal	(1)
08	08.6100.4.012	Screw M4x12	(4)
09	08.6802.8.000	Spring Washer M8	(2)
10	08.6702.8.000	Nut M8	(2)
11	12.0008.4.058	Clip	(2)
12	12.0008.4.072	Ty-wrap	(2)
13	12.0008.4.280	Cord Clamp	1
14	08.6852.4.000	Washer M4	1
15	08.6683.4.007	Screw M4x7	1
16	12.0008.4.214	Bushing	(1)
17	12.0008.3.833	Cable Valve	1
18*	12.0008.4.279	Cord Clamp	(1)*
19*	08.6000.5.008	Screw M5x8	(1)*
20**	12.0008.3.836	Cable Indexer Valve	1**

\* Modification — ISBH (Embedded)

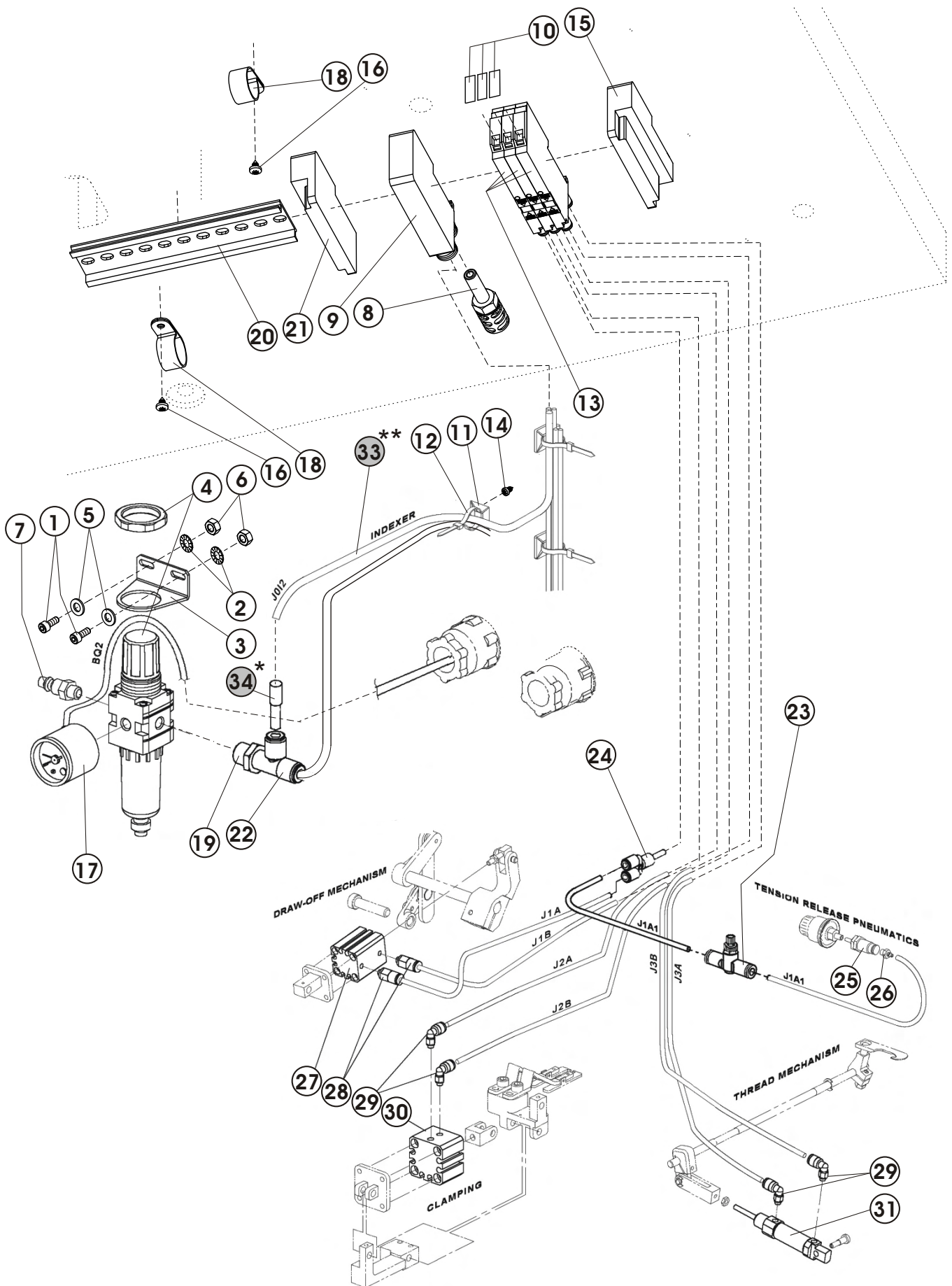
\*\* Modification — ISBH+I (Indexer)

# ELECTRICAL III





# PNEUMATICS



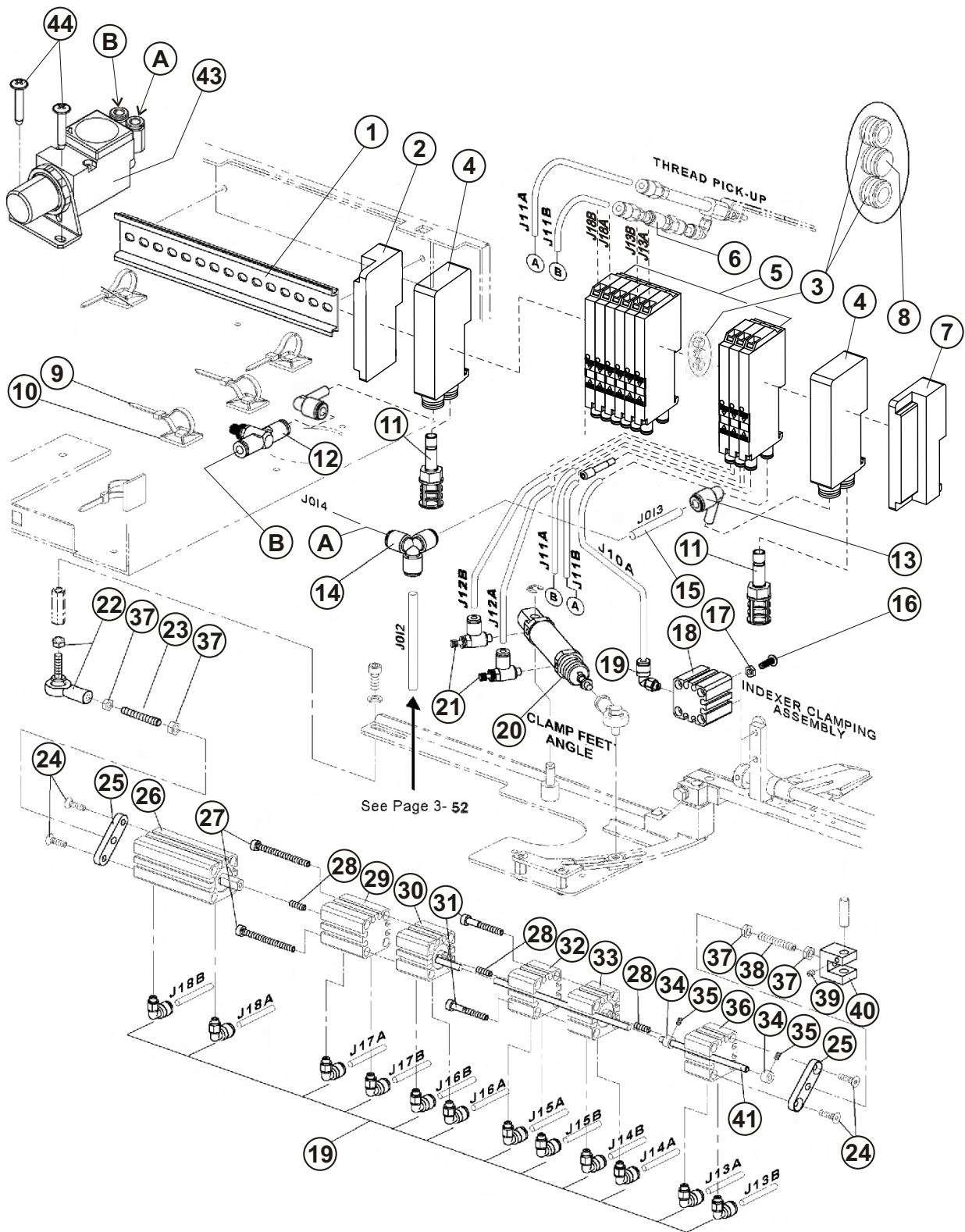
## PNEUMATICS

DET	PART NUMBER	DESCRIPTION	QTY.
01	08.6000.5.012	Screw M5x12	2
02	08.6832.5.000	Washer M5	2
03	12.0008.3.659	Regulator Holder	1
04	12.0008.3.753	Regulator	1
05	08.6850.5.000	Washer M5	2
06	08.6700.5.000	Nut M5	2
07	12.0008.3.420	Connector	1
08	12.0008.3.484	Silencer	1
09	12.0008.3.829	Air Supply Block Assembly	1
10	12.8000.0.016	Label Kit	1
11	12.0008.4.058	Clip ●●●	3
12	12.0008.3.023	Ty-wrap ●●●	3
13	12.0008.3.828	Pneumatic Valve	3
14	08.6662.3.006	Screw	2
15	12.0008.3.830	Rail Stopper	1
16	08.6683.4.007	Screw	2
17	12.0008.3.418	Pressure Gauge	1
18	12.0008.4.280	Clamp	2
19	12.0008.3.605	Connector	1
20	12.0008.3.832	DIN Rail	1
21	12.0008.3.831	Rail Stopper	1
22	12.0008.3.606	Connector ●●●	1
23	12.0008.3.430	Speed Controller ●●●	1
24	12.0008.3.623	Connector	1
25	12.0008.3.413	Cylinder	1
26	12.0008.3.409	Connector	1
27	12.0008.3.433	Knife Cylinder	1
28	12.0008.3.409	Connector	2
29	12.0008.3.411	Connector ●●●	4
30	12.0008.3.412	Clamp Cylinder ●	1
31	24.0050.0.000	Trimmer Cylinder	1
32	24.0145.1.000	Air Tubing 6x1 BL J0I1 = 1500 mm ●●● Air Tubing 4x0,75 BL J1A = J1B = J1A1= J2A = J2B = J3A = J3B = 600 mm	1
33**	See Page 3-55	Air Tubing 6x1 BL J0I2 ●●●	—
34*	12.0008.3.437	Plug	1

\* Modification — ISBH

\*\* Modification — ISBH+I (Indexer)

# PNEUMATICS INDEXER

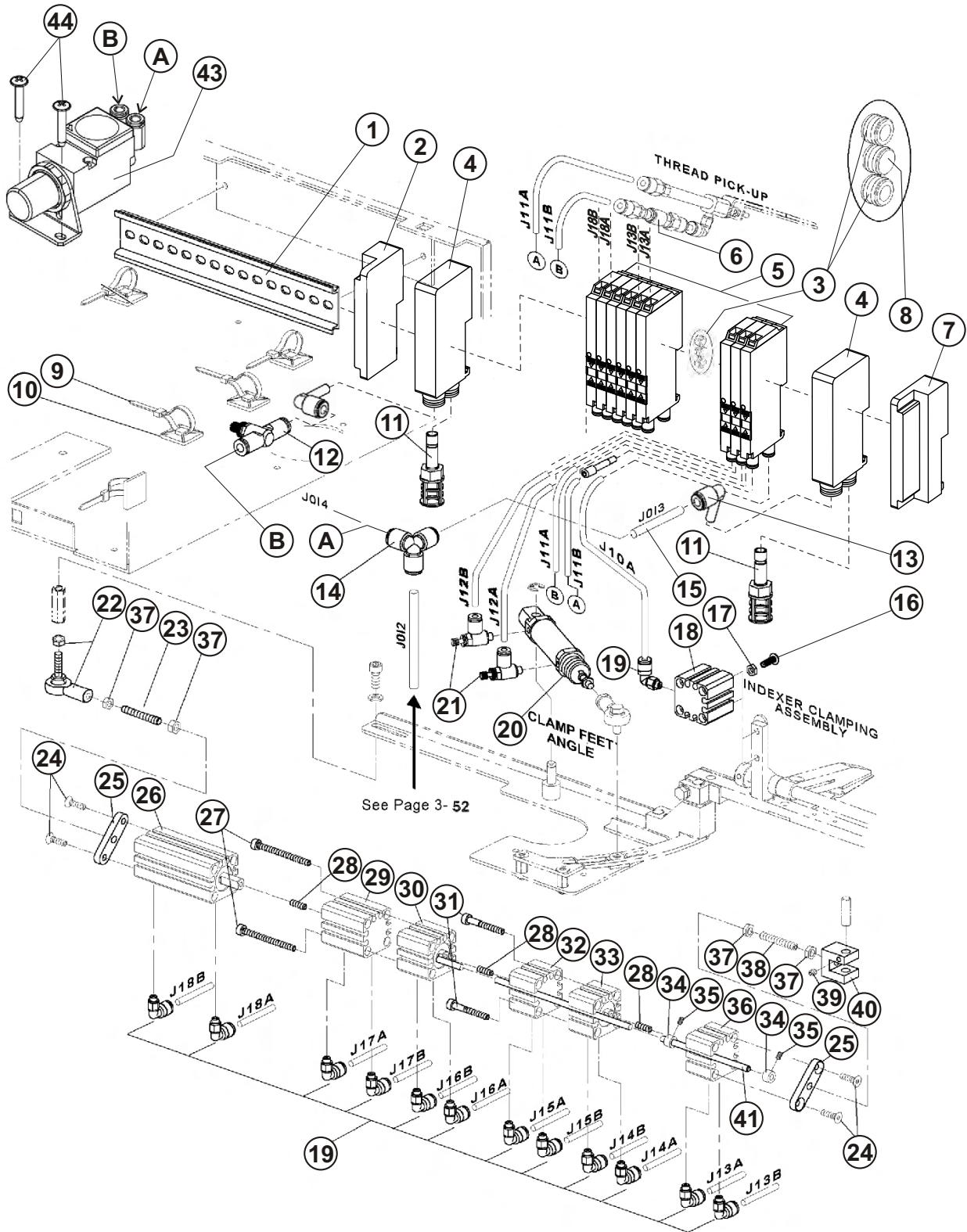


# PNEUMATICS INDEXER



DET	PART NUMBER	DESCRIPTION	QTY.
01	12.0008.3.475	DIN Rail	1
02	12.0008.3.831	Rail Stopper	1
03	12.0008.3.838	Blind	2
04	12.0008.3.838	Air Supply Block Assembly	2
05	12.0008.3.828	Pneumatic Valve	9
06	See Page 3-59	Thread Pick-up	—
07	12.0008.3.830	Rail Stopper	1
08	12.0008.3.839	Blind	1
09	12.0008.3.023	Ty-wrap ●●●	7
10	12.0008.4.058	Clip ●●●	6
11	12.0008.3.484	Silencer ●●●	2
12	12.0008.3.488	Speed Controller	1
13	12.0008.3.835	Connector ●●●	2
14	12.0008.3.486	Connector ●●●	1
15	12.0008.3.426	Plug ●●●	1
16	08.6200.4.012	Screw M4 x 12	1
17	08.6700.4.000	Nut M4	1
18	12.0008.3.498	Cylinder ●	1
19	12.0008.3.411	Connector	13
20	12.0008.3.497	Cylinder ●	1
21	12.0008.3.621	Speed Controller	2
22	12.0008.6.518	Ball Joint	1
23	08.6400.5.030	Screw	1
24	08.6100.4.014	Screw M4x14	4
25	24.4045.0.000	Holder	2
26	24.4073.0.000	Cylinder ●	1
27	08.6000.4.045	Screw M4 x 45	2
28	08.6400.4.018	Screw M4 x 18	3
29	24.4072.0.000	Cylinder ●	1
30	24.4071.0.000	Cylinder ●	1
31	08.6000.4.030	Screw M4 x 30	2
32	24.4070.0.000	Cylinder ●	1
33	24.4069.0.000	Cylinder	1
34	24.4046.0.000	Stay Shaft	2
35	08.6400.3.006	Screw M3x6	2
36	24.4068.0.000	Cylinder ●	1
37	08.6700.5.000	Nut M5	4
38	08.6400.5.020	Screw M5 x 20	1
39	08.6400.4.005	Screw M4 x 5	1
40	24.4044.0.000	“C” Bracket	1
41	24.4047.0.000	Cylinder Guide	1
42	24.4059.1.000	Air Tubing 4x0,75 J10A = 490 mm J11A = 610 mm J11B = 700 mm J12A = 290 mm J12B = 240 mm ●●●	

# PNEUMATICS INDEXER



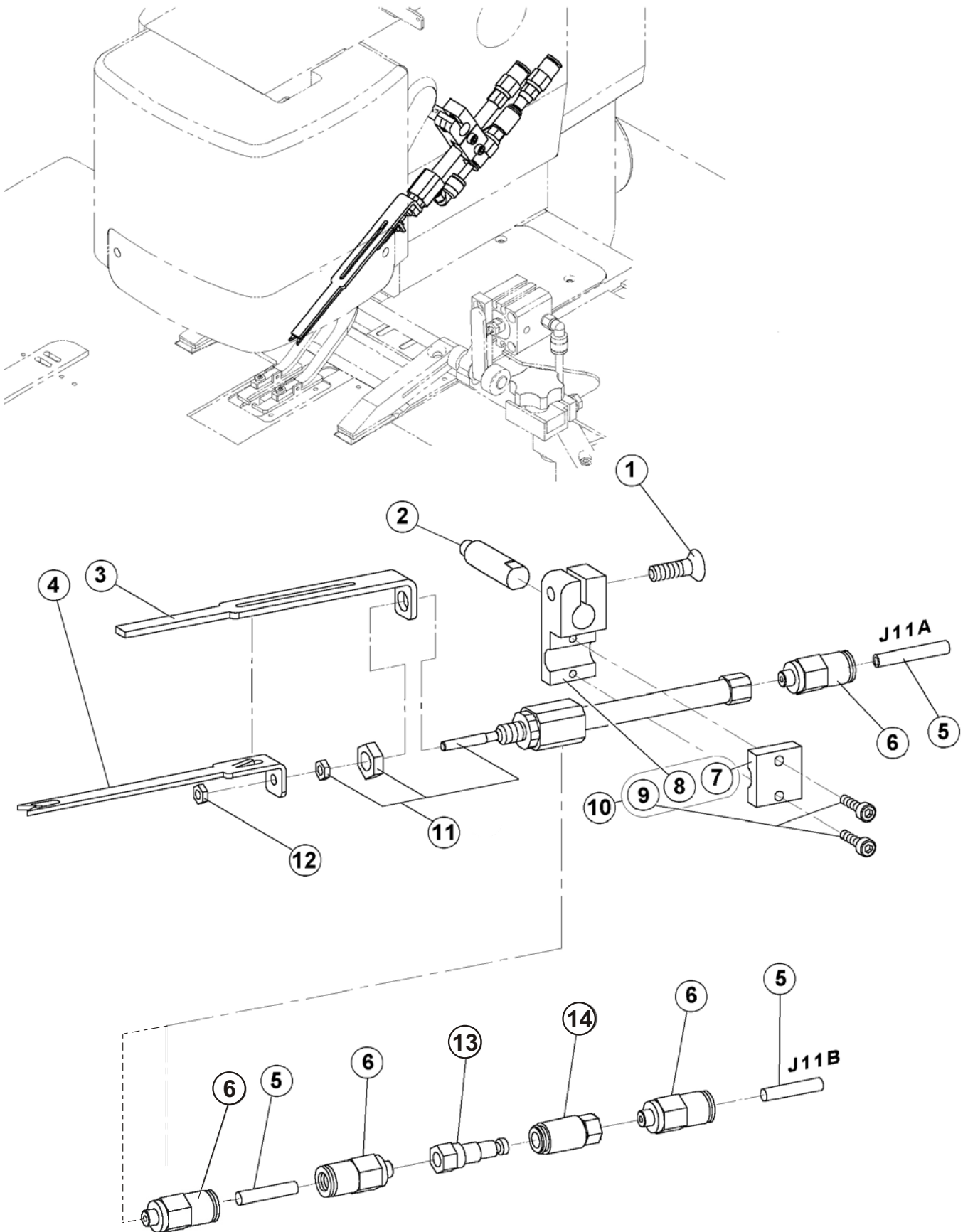


**PNEUMATICS INDEXER**



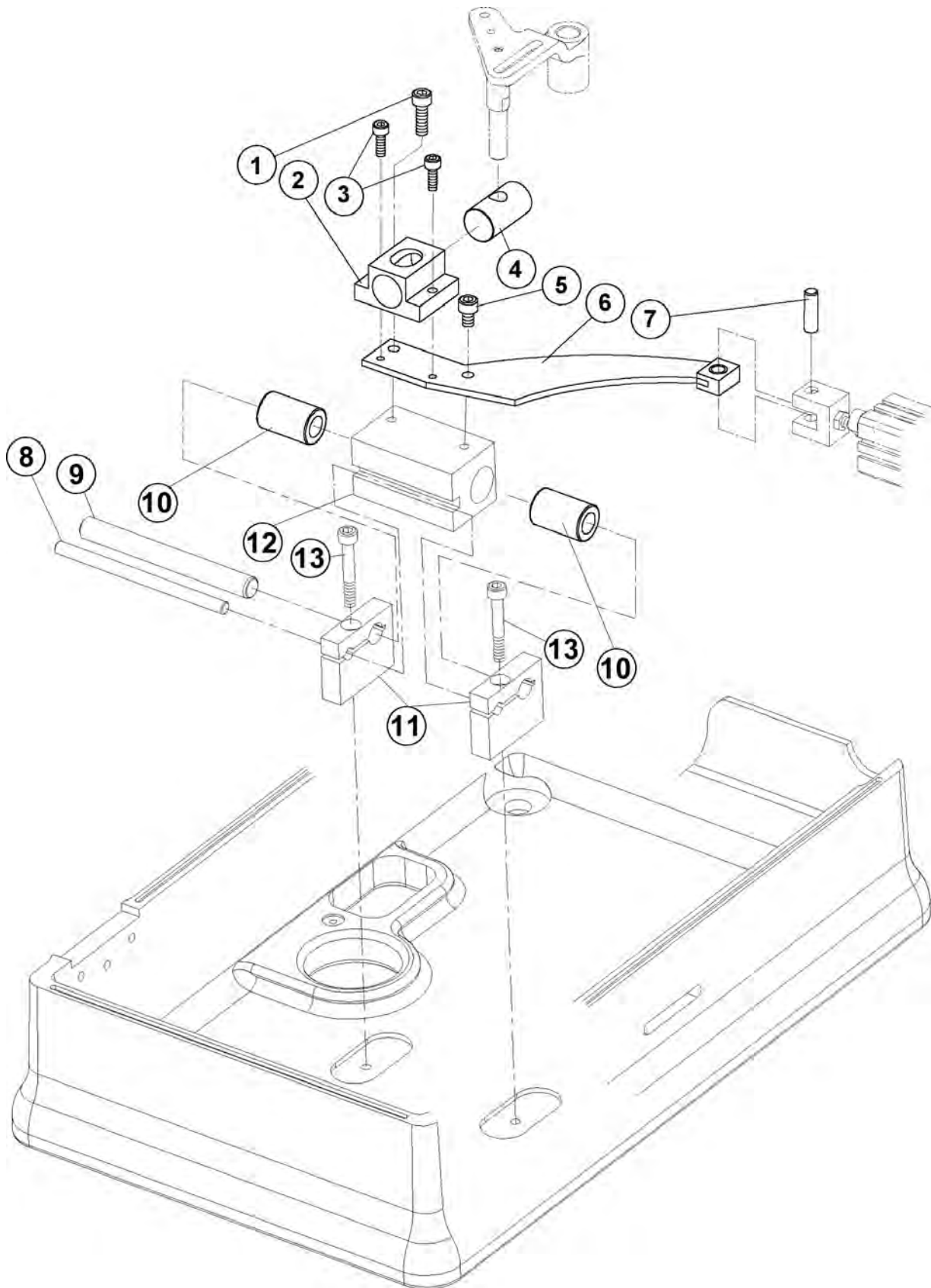
DET	PART NUMBER	DESCRIPTION	QTY.
42	24.4059.1.000	J13A = 180 mm J13B = 180 mm J14A = 160 mm J14B = 160 mm J15A = 150 mm J15B = 160 mm J16A = 130 mm J17A = 130 mm J17B = 130 mm J18A = 160 mm J18B = 140 mm	
43	12.0008.3.751	Regulator	1
44	08.6676.4.025	Screw	4

# THREAD PICK-UP



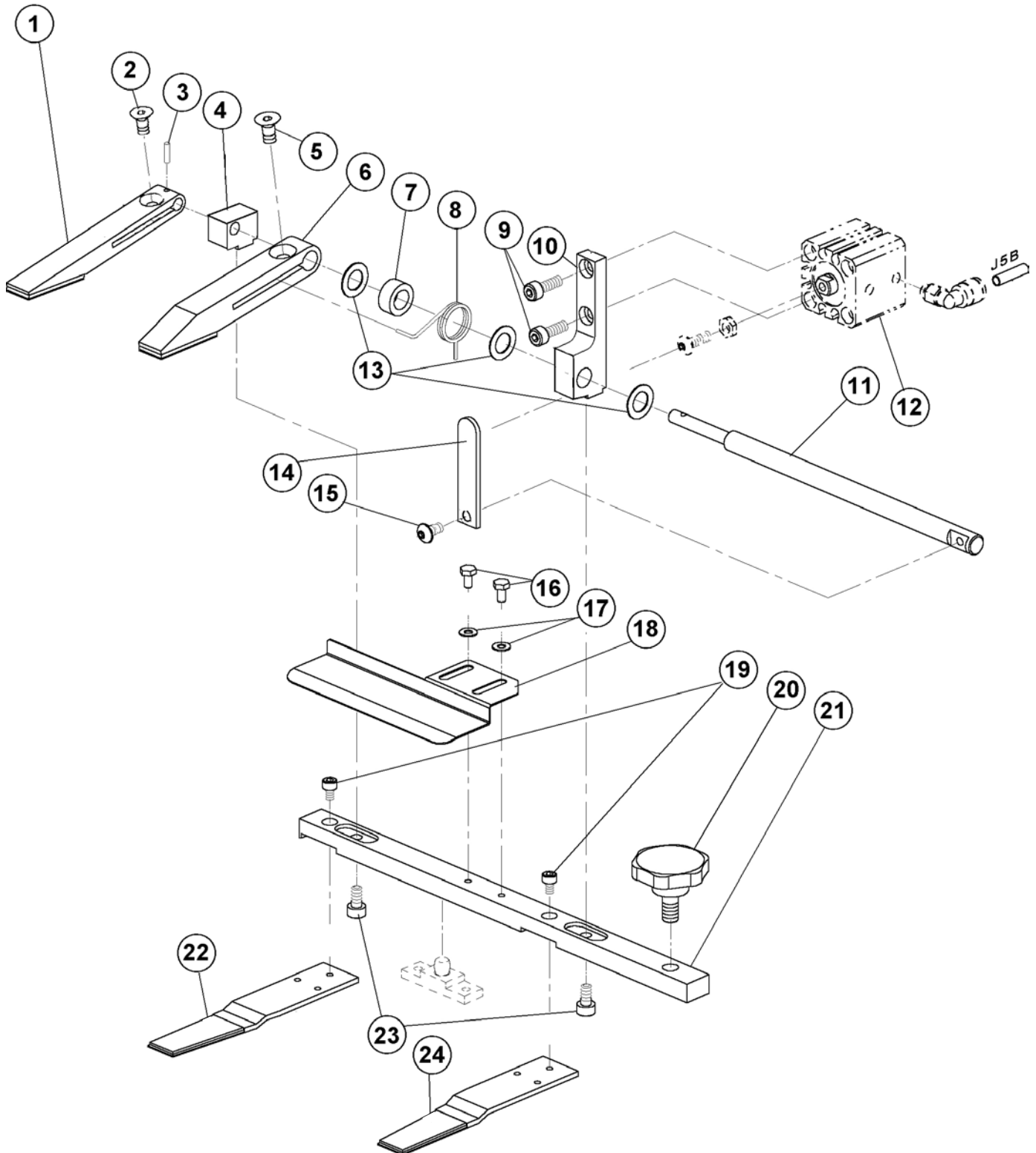


# INDEXER LINEAR GUIDE





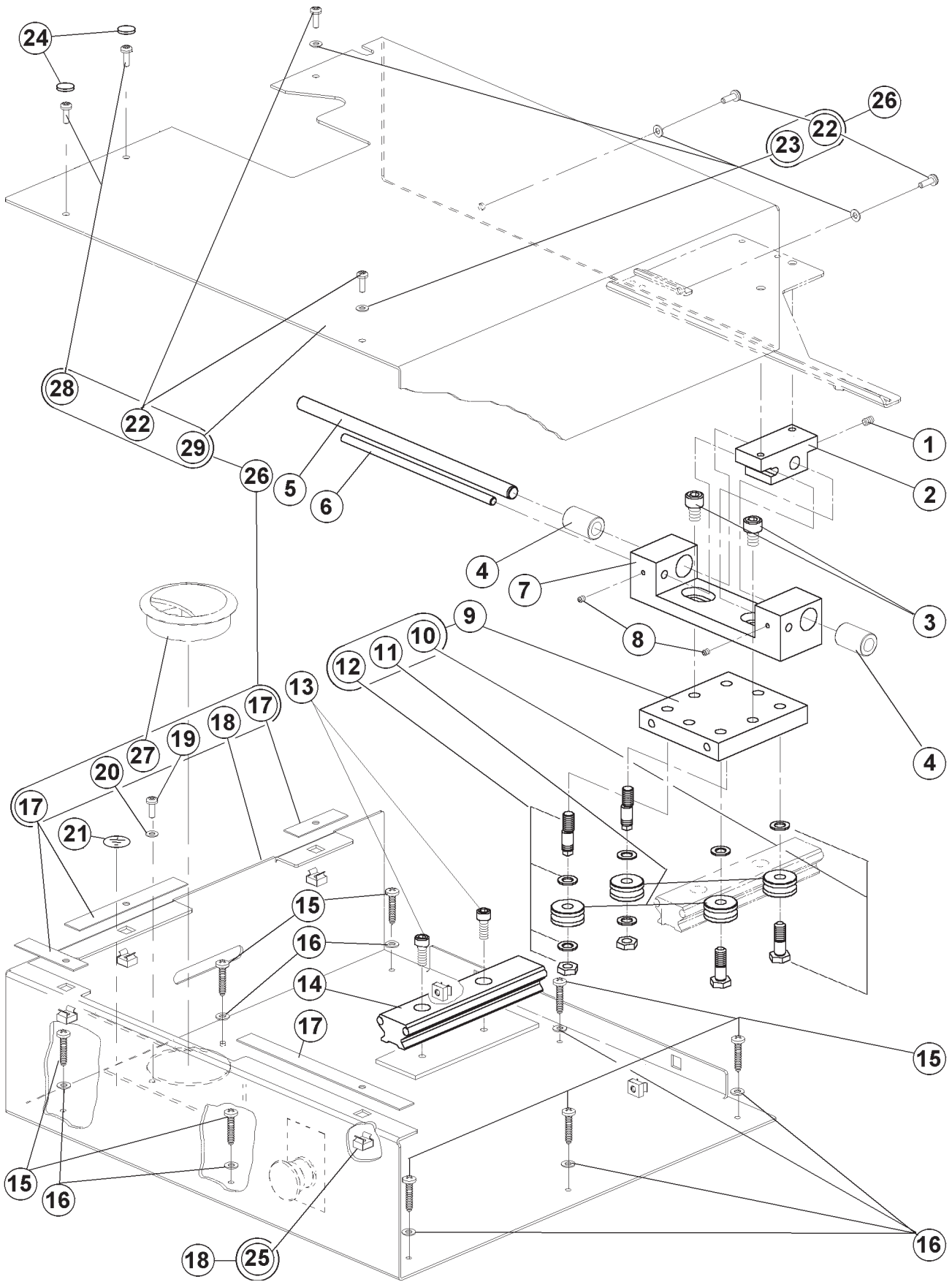
# INDEXER CLAMPING ASSEMBLY



## INDEXER CLAMPING ASSEMBLY

DET	PART NUMBER	DESCRIPTION	QTY.
01	24.4017.0.000	Clamp Foot Left ● ●●●	1
02	08.6100.5.008	Screw M5 x 8	1
03	12.1014.0.005	Pin	1
04	24.4016.0.000	Shaft Holder ●	1
05	08.6100.5.012	Screw M5 x 12	1
06	24.4015.0.000	Clamp Foot Right ● ●●●	1
07	24.4014.0.000	Bushing ●●●	1
08	24.4010.0.000	Spring	1
09	08.6000.4.012	Screw M4 x 12	2
10	24.4013.0.000	Support Bracket ●	1
11	24.4009.0.000	Shaft	1
12	See Page 3-55	Cylinder ● ●●●	1
13	08.6887.8.000	Washer	3
14	24.4011.0.000	Clamping Lever	1
15	08.6200.4.008	Screw M4 x 8	1
16	08.6000.3.004	Screw M3 x 4	2
17	08.6850.3.000	Washer M3	2
18	24.4008.0.000	Stop Gage	1
19	08.6000.3.005	Screw M3 x 5	2
20	24.4019.0.000	Screw ●●●	1
21	24.4005.0.000	Clamp Rail	1
22	24.4006.0.000	Clamping Mat Left	1
23	08.6000.4.008	Screw M4 x 8	2
24	24.4007.0.000	Clamping Mat Right	1

# INDEXER ASSEMBLY

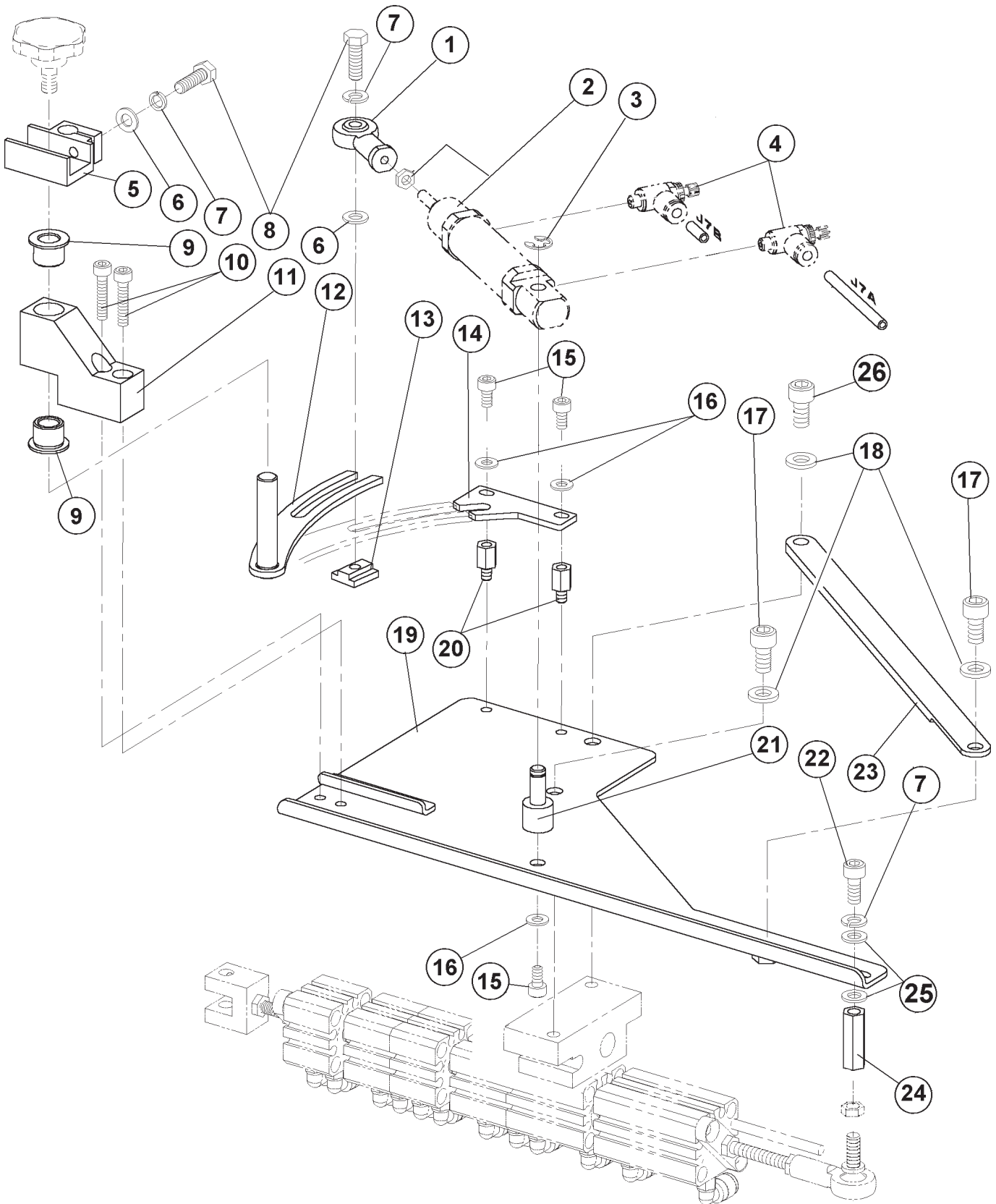




## INDEXER ASSEMBLY

DET	PART NUMBER	DESCRIPTION	QTY.
01	08.6400.5.008	Screw M5 x 8	1
02	24.4042.0.000	Holder ●	1
03	08.6000.8.016	Screw M8 x 16	2
04	07.0000.0.024	Bearing	2
05	24.4041.0.000	Shaft	1
06	24.4040.0.000	Shaft	1
07	24.4039.0.000	Bearing Holder ●	1
08	08.6400.4.005	Screw M4 x 5	2
09	12.2070.0.009	Plate Assembly ●	1
10	12.2070.0.007	Screw Assembly	(2)
11	12.2070.0.005	Roll	(4)
12	12.2070.0.006	Screw Assembly	(2)
13	08.6000.6.016	Screw M6 x 16	2
14	12.2070.0.008	Guide Assembly ● ● ● ●	1
15	08.6663.5.025	Screw	8
16	08.6842.5.000	Washer M5	8
17	24.4051.0.000	Rubber Washer Set ● ● ●	(1)
18	24.4048.0.901	Indexer Covers	(1)
19	08.6032.4.008	Screw M4 x 8	(1)
20	08.6832.4.000	Washer Serrated M4	(1)
21	12.0008.4.052	Label (Ground)	1
22	08.6032.4.012	Screw M4 x 12	(4)
23	08.6845.4.000	Washer M4	(4)
24	24.4049.0.000	Washer ● ● ●	2
25	12.0008.6.213	Nut	(6)
26	24.4048.0.050	Box Indexer Assembly	1
27	12.0008.4.631	Hole Insulator ● ● ●	(1)
28	08.6100.4.012	Screw M4 x 12	(2)
29	24.4048.0.902	Cover Indexer Upper	1

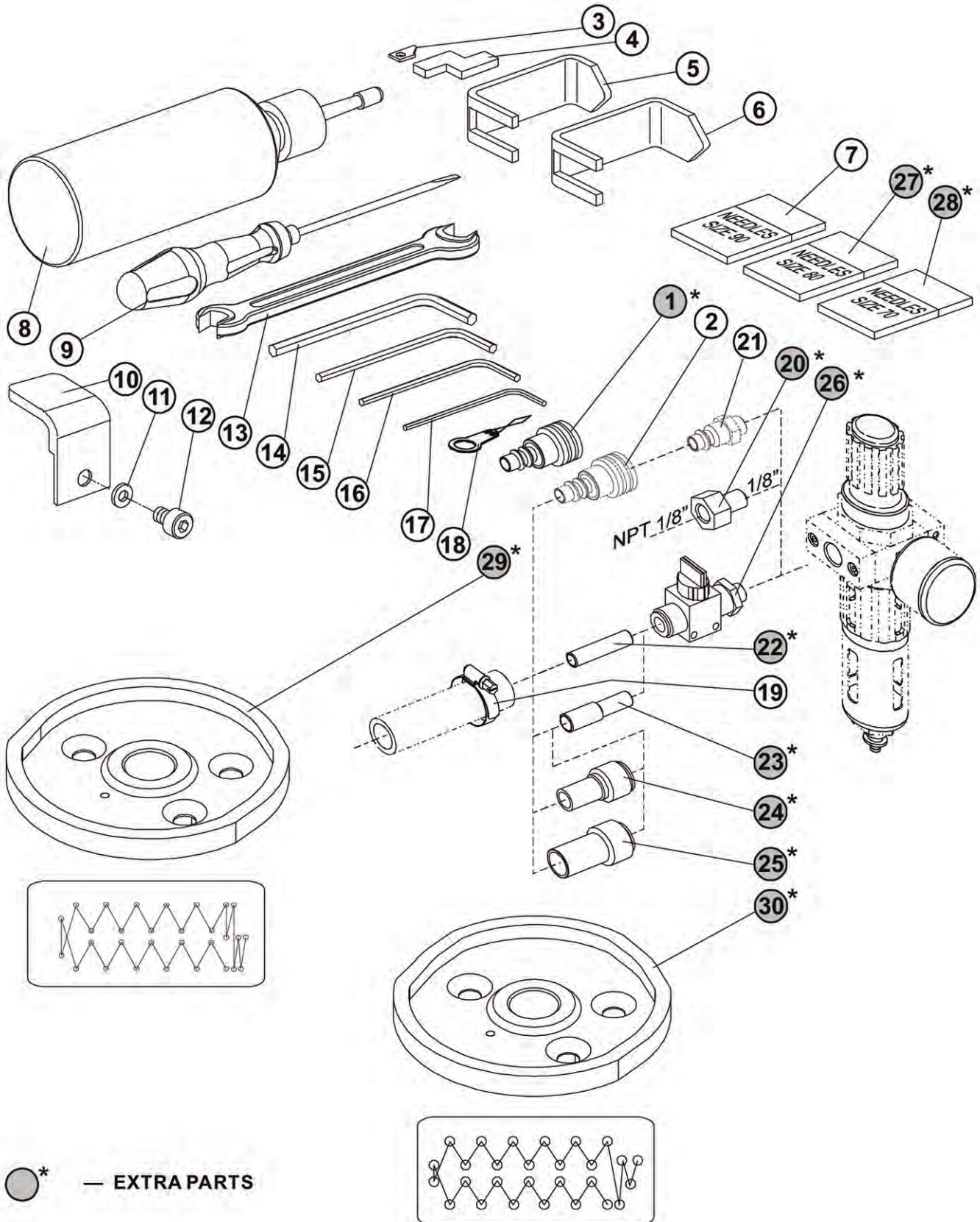
# CAMP FEET ANGLE



## CAMP FEET ANGLE

DET	PART NUMBER	DESCRIPTION	QTY.
01	12.0008.3.496	Rod End ●●	1
02	See Page 3-55	Cylinder	—
03	12.1045.0.011	Locking Ring	1
04	See Page 3-55	Speed Control ●●●	—
05	24.4029.0.000	Mounting Clamp	1
06	08.6850.5.000	Washer M5	2
07	08.6800.5.000	Washer Lock M5	3
08	17.0014.1.226	Screw	2
09	24.4030.0.000	Bearing	2
10	08.6000.4.020	Screw M4 x 20	2
11	24.4031.0.000	Mounting Bracket	1
12	24.4032.0.000	Stud ●	1
13	24.4034.0.000	Nut	1
14	24.4056.0.000	Locking Lever	1
15	08.6000.4.008	Screw M4 x 8	3
16	08.6850.4.000	Washer M4	3
17	08.6000.6.012	Screw M6 x 12	2
18	08.6850.6.000	Washer M6	3
19	24.4036.0.000	Support plate	1
20	12.0008.4.848	Stud	2
21	24.4037.0.000	Stud	1
22	08.6000.5.012	Screw M5 x 12	1
23	24.4043.0.000	Brace	1
24	12.0008.4.849	Distance Nut	1
25	24.0166.0.000	Washer M5	2
26	08.6000.6.016	Screw M6 x 16	1

# ACCESSORIES



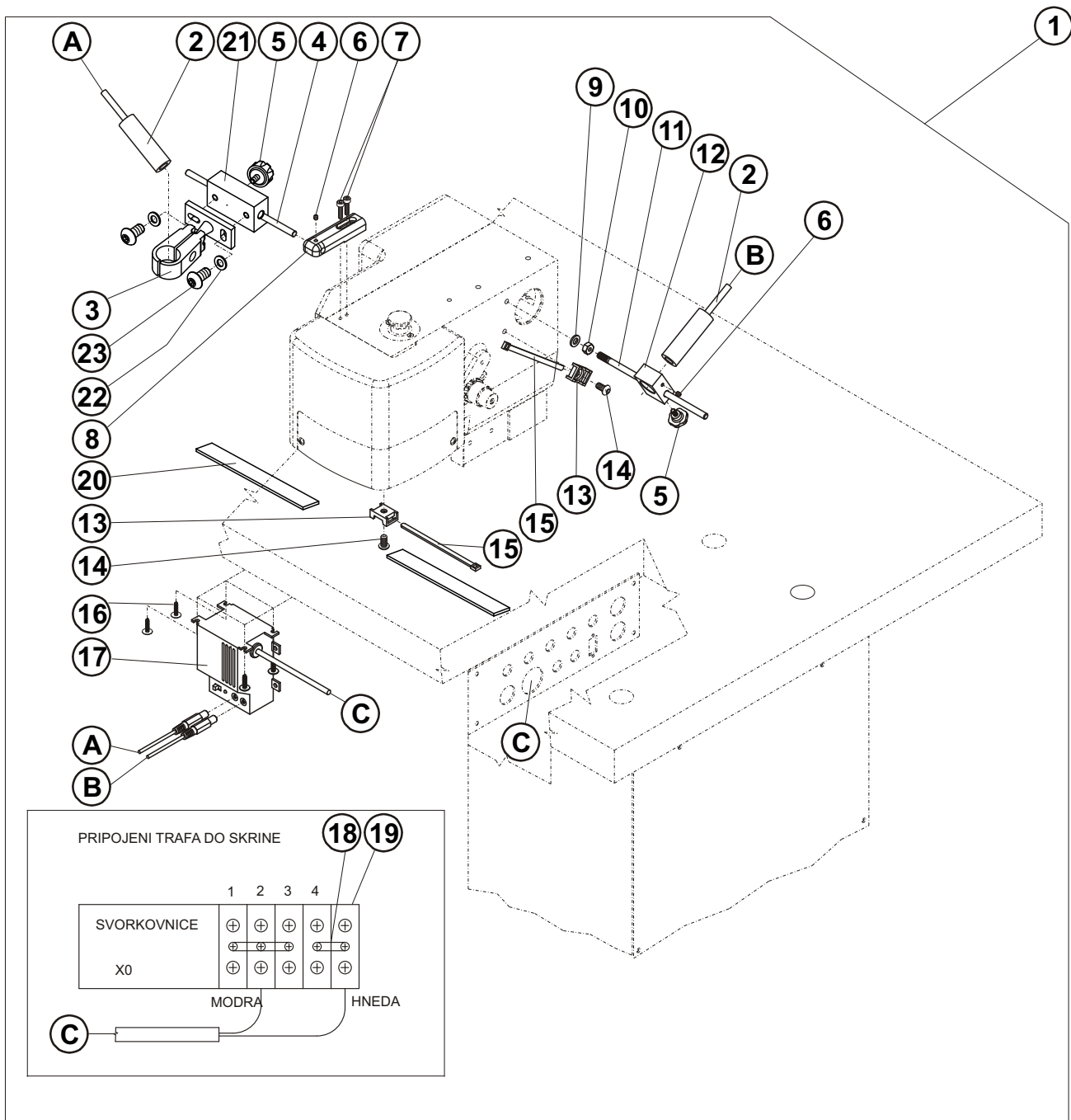
## ACCESSORIES

DET	PART NUMBER	DESCRIPTION	QTY.
01*	12.0008.3.607	Connector Dia 8	1*
02	12.0008.3.608	Connector Dia 10	1
03	20.0094.0.000	Trimmer Knife	1
04	22.0209.0.000	Looper Gauge	1
05	24.0030.0.000	Main Shaft Pulley Bracket	1
06	24.0024.0.000	Needle Bar Shaft Pulley Bracket	1
07	02.0750.2.110	Needles, Size 90	10
08	05.1322.0.000	Oiler <span style="float: right;">●●●</span>	1
09	12.0008.6.001	Screwdriver	1
10	22.0213.0.000	Bracket	1
11	08.6850.4.000	M4 Washer	1
12	08.6000.4.005	M4 x 5 Screw	1
13	12.0008.6.109	Wrench	1
14	12.0008.6.102	Allen Key Wrench 4	1
15	12.0008.6.101	Allen Key Wrench 3	1
16	12.0008.6.112	Allen Key Wrench 2-1/2	1
17	12.0008.6.100	Allen Key Wrench 2	1
18	12.0008.6.105	Needle Threader	1
19	12.0008.3.251	Air Tubing Clamp	1
20*	12.0008.3.081	Pneumatic Adapter (1/8" / NPT 1/8")	1
21	See page 3-53	Connector	—
22*	12.0008.3.464	Connector	—
23*	12.0008.3.466	Connector	—
24*	12.0008.3.467	Connector	—
25*	12.0008.3.465	Connector	—
26*	12.0008.3.463	Handvalve	—
27*	02.0750.2.100	Needle, Size 80	—
28*	02.0750.2.109	Needle, Size 70	—
29*	24.3079.0.000	Main Cam ISBH - Type II.	—
30*	24.3080.0.000	Main Cam ISBH	—

\*

— Extra Parts

# ACCESSORIES EXTRA PART





## RECOMMENDED SPARE PARTS

No.	Part Number	Parts Description
01	07.6321.0.025	BRG, BALL CAM F. (INA)#LR605NPPU
02	20.0093.0.000	HOOK TRIMMER
03	20.0094.0.000	TRIMMER KNIFE
04	20.0111.0.000	LOOPER*FIRST
05	20.0112.0.000	LOOPER*SECOND
06	22.2657.0.000	RIGHT SHIFTER ARM SPRING
07	22.2653.0.000	LEFT SHIFTER ARM SPRING
08	23.2356.2.052	USA-KNIFE-1/2/13 M
09	23.2356.2.054	USA-KNIFE-5/8/16 MM
10	23.2356.2.055	USA-KNIFE-3/4/19 M
11	22.0353.0.000	DOUBLE GEAR
12	22.0313.0.000	FEED BRAKE PAD
13	08.6400.3.005	SCREW, H.S. SET, CUP, BLK
14	07.6440.0.018	SPRING, COMP. (LEE)
15	20.0092.0.004	TRIMMER ACTUATOR
16	01.2386.0.000	HEX SCREW 3/16-36 x.5
17	20.0093.2.004	HOOK-TRIMMER
18	23.3106.0.000	JIS FIRST LOOPER HOLDER
19	23.2107.0.000	SECOND LOOPER HOLDER
20	22.0520.0.000	NEEDLE BAR CLAMP
21	22.0530.0.000	NEEDLE BAR CONNECTING LINK
22	24.3077.0.000	MAIN CAM, ISBHMAIN CAM-ISBH
23	07.6440.0.028	SPRING (LEE) #LC-040C-01
24	22.2626.0.000	DRIVE DISK SWITCH SPRING



**INDEX**

PART NUMBER	PAGE	DET	QTY	PART NUMBER	PAGE	DET	QTY	PART NUMBER	PAGE	DET	QTY
<b>00.2751.3.602</b>				04.9024.0.500	3-43	49	1	07.6440.0.028	3-11	23	2
00.2751.3.602	3-39	53	1	04.9024.0.650	3-41	41	1	07.6440.0.028	3-19	18	2
00.2751.3.602	3-43	54	1	04.9024.0.652	3-37	37	1	07.6440.0.032	3-9	10	1
00.2751.3.602	3-47	48	1	04.9024.0.653	3-45	35	1	07.6440.0.033	3-11	8	2
				04.9024.0.900	3-35	09	(1)	07.6440.0.036	3-15	21	3
				04.9024.0.901	3-33	09*	(1)	07.6440.0.037	3-23	04	2
<b>01.1382.0.000</b>								07.6440.0.040	3-9	16	1
01.1382.0.000	3-15	6	1					07.6440.0.041	3-11	11	1
01.1397.0.000	3-15	11	4	<b>05.1322.0.000</b>				07.6440.0.045	3-23	27	1
01.2084.0.000	3-5	10	1	05.1322.0.000	3-69	08	1	07.6440.0.050	3-11	18	1
01.2193.0.000	3-3	2	1	05.1394.0.000	3-27	05	1	07.6440.0.051	3-25	10	1
01.2376.0.000	3-5	17	4								
01.2386.0.000	3-7	3	1	<b>06.2400.0.002</b>							
01.6551.0.000	3-3	7	1	06.2400.0.002	3-45	04	(1)	<b>08.6000.3.004</b>			
01.6551.0.000	3-21	17	1	06.2400.0.003	3-37	5	(1)	08.6000.3.004	3-63	16	2
01.7447.1.000	3-3	5	1	06.2400.0.008	3-39	*	1	08.6000.3.005	3-63	19	2
01.7447.1.000	3-21	15	1	06.2400.0.008	3-47	63	1	08.6000.3.006	3-21	29	1
01.7804.0.000	3-3	18	1	06.2400.0.009	3-37	26	1	08.6000.3.006	3-27	15	1
01.7805.0.000	3-3	23	1	06.2400.0.009	3-45	23	1	08.6000.3.006	3-31	11	1
01.7805.0.000	3-27	37	2	06.2400.0.010	3-37	20	1	08.6000.3.010	3-11	38	1
01.7806.0.000	3-25	18	2	06.2400.0.010	3-45	17	1	08.6000.3.010	3-15	17	1
01.7809.0.000	3-3	17	1	06.2400.0.012	3-37	19	1	08.6000.3.010	3-19	6	1
				06.2400.0.901	3-45	13	1	08.6000.3.016	3-29	09	4
<b>02.0750.2.100</b>				06.2400.0.901	3-47	53	(1)	08.6000.3.040	3-29	08	1
02.0750.2.100	3-69	27*	—	06.2400.0.902	3-45	16	1	08.6000.4.005	3-9	5	4
02.0750.2.109	3-69	28*	—	06.2400.0.903	3-45	24	1	08.6000.4.005	3-13	58	2
02.0750.2.110	3-3	32	1	06.8800.0.001	3-49	2	(1)	08.6000.4.005	3-25	20	1
02.0750.2.110	3-69	07	10					08.6000.4.005	3-69	12	1
				<b>07.0000.0.024</b>				08.6000.4.006	3-27	20	1
<b>03.5524.0.009</b>				07.0000.0.024	3-61	10	2	08.6000.4.006	3-29	15	2
03.5524.0.009	3-41	01	1	07.0000.0.024	3-65	4	2	08.6000.4.006	3-31	4	2
03.5524.0.022	3-71	1	0	07.6045.0.009	3-11	19	2	08.6000.4.006	3-37	3	(2)
03.5524.0.024	3-37	01	1	07.6045.0.034	3-11	30	1	08.6000.4.006	3-41	3	(2)
03.5524.0.026	3-45	01	1	07.6045.0.037	3-11	16	2	08.6000.4.008	3-63	23	2
				07.6045.0.037	3-25	9	1	08.6000.4.008	3-67	15	3
<b>04.1416.0.003</b>				07.6045.0.042	3-7	9	1	08.6000.4.010	3-9	1	2
04.1416.0.003	3-33	8	(1)	07.6045.0.042	3-21	4	1	08.6000.4.010	3-21	7	1
04.1416.0.003	3-35	10	(1)	07.6045.0.046	3-5	01	2	08.6000.4.010	3-61	3	2
04.9000.0.125	3-35	37	(1)	07.6045.0.053	3-25	21	1	08.6000.4.012	3-7	7	1
04.9000.0.225	3-35	36	(1)	07.6045.0.054	3-27	11	1	08.6000.4.012	3-63	9	2
04.9000.0.345	3-35	44	((1))	07.6321.0.001	3-23	11	1	08.6000.4.014	3-11	45	2
04.9000.2.123	3-33	14	1	07.6321.0.025	3-13	50	2	08.6000.4.014	3-15	25	2
04.9024.0.001	3-35	01	1	07.6321.0.025	3-19	16	2	08.6000.4.014	3-19	8	2
04.9024.0.002	3-35	20	(1)	07.6321.0.029	3-19	13	(2)	08.6000.4.014	3-71	7	2
04.9024.0.003	3-33	01*	1	07.6321.0.030	3-13	61	(1)	08.6000.4.016	3-9	3	4
04.9024.0.361	3-35	17	(1)	07.6440.0.018	3-11	41	2	08.6000.4.016	3-21	10	6

## INDEX

PART NUMBER	PAGE	DET	QTY	PART NUMBER	PAGE	DET	QTY	PART NUMBER	PAGE	DET	QTY
08.6000.4.016	3-25	42	4	08.6100.3.030	3-11	1	2	08.6202.6.012	3-71	14	2
08.6000.4.020	3-67	10	2	08.6100.4.006	3-5	13*	2*	08.6215.4.006	3-39	56	2
08.6000.4.025	3-11	32	2	08.6100.4.006	3-9	21	3	08.6215.4.006	3-43	57	2
08.6000.4.030	3-55	31	2	08.6100.4.006	3-27	08	2	08.6215.4.006	3-47	61	2
08.6000.4.045	3-55	27	2	08.6100.4.010	3-37	30	4	08.6312.0.020	3-35	26	((12))
08.6000.4.070	3-29	07	4	08.6100.4.010	3-41	34	4	08.6312.6.020	3-35	32	((1))
				08.6100.4.010	3-45	28	4	08.6312.8.020	3-35	39	((4)+(4)+4))
<b>08.6000.5.008</b>				08.6100.4.012	3-23	15	1	08.6312.8.020	3-49	5	(2)
08.6000.5.008	3-49	19*	(1)*	08.6100.4.012	3-49	8	(4)	08.6312.8.025	3-35	25	((4))
08.6000.5.008	3-61	5	1	08.6100.4.012	3-65	28	(2)	08.6400.3.004	3-27	23	1
08.6000.5.012	3-5	07	1	08.6100.4.014	3-43	47	1	08.6400.3.005	3-3	12	4
08.6000.5.012	3-53	01	2	08.6100.4.014	3-55	24	4	08.6400.3.006	3-5	27	2
08.6000.5.012	3-67	22	1	08.6100.4.020	3-37	43	8	08.6400.3.006	3-55	35	2
08.6000.5.016	3-3	37	1	08.6100.4.020	3-45	38	8	08.6400.4.004	3-3	21	2 (2)
08.6000.5.016	3-21	3	1	08.6100.5.008	3-63	2	1	08.6400.4.004	3-5	08	2
08.6000.5.016	3-25	3	4	08.6100.5.010	3-23	09	1	08.6400.4.004	3-15	1	2
08.6000.5.016	3-27	26	3	08.6100.5.012	3-5	14	2	08.6400.4.004	3-19	27	1
08.6000.5.016	3-61	1	1	08.6100.5.012	3-17	02	5	08.6400.4.004	3-21	26	1
08.6000.5.020	3-11	15	2	08.6100.5.012	3-17	02*	2*	08.6400.4.004	3-71	6	2
08.6000.5.022	3-5	05	4	08.6100.5.012	3-63	5	1	08.6400.4.005	3-9	22	1
08.6000.5.035	3-61	13	2	08.6100.5.016	3-29	01	7	08.6400.4.005	3-11	28	6
08.6000.6.008	3-5	30	2	08.6100.5.016	3-59	1	1	08.6400.4.005	3-19	20	1
08.6000.6.012	3-67	17	2	08.6100.5.020	3-15	4	2	08.6400.4.005	3-55	39	1
08.6000.6.016	3-3	22	2	08.6100.5.020	3-17	07	1	08.6400.4.005	3-65	8	2
08.6000.6.016	3-27	31	2	08.6100.5.020	3-25	26	3	08.6400.4.012	3-5	21	1
08.6000.6.016	3-65	13	2	08.6100.5.020	3-25	37	1	08.6400.4.018	3-55	28	3
08.6000.6.016	3-67	26	1	08.6100.6.035	3-27	17	1	08.6400.5.005	3-3	4	1
08.6000.6.025	3-3	31	1	08.6102.3.008	3-37	17	2	08.6400.5.005	3-11	33	1
08.6000.6.025	3-19	1	1	08.6102.3.008	3-41	17	2	08.6400.5.005	3-25	27	2
08.6000.6.025	3-25	29	2	08.6102.3.008	3-45	11	2	08.6400.5.005	3-27	12	2
08.6000.6.030	3-3	15	(1)	08.6120.3.008	3-27	03	7	08.6400.5.008	3-5	18	1
08.6000.8.016	3-65	3	2					08.6400.5.008	3-25	28	2
08.6000.8.025	3-25	7	2	<b>08.6200.4.008</b>				08.6400.5.008	3-65	1	1
08.6000.8.040	3-25	12	2	08.6200.4.008	3-29	17	2	08.6400.5.010	3-25	17	1
08.6002.3.012	3-59	9	(2)	08.6200.4.008	3-63	15	1	08.6400.5.010	3-27	13	2
08.6012.4.010	3-17	11	1	08.6200.4.012	3-55	16	1	08.6400.5.020	3-55	38	1
08.6012.4.010	3-35	22	((1))	08.6200.4.016	3-21	22	2	08.6400.5.030	3-55	23	1
08.6032.4.008	3-65	19	(1)	08.6200.5.008	3-25	5	1	08.6400.5.305	3-11	13	4
08.6032.4.010	3-37	46	(6)	08.6200.5.010	3-71	23	2	08.6400.5.305	3-27	33	6
08.6032.4.010	3-43	50	(6)	08.6200.5.012	3-17	03	6				
08.6032.4.010	3-45	2	(3)	08.6200.5.014	3-17	07*	1*	<b>08.6532.8.050</b>			
08.6032.4.010	3-45	41	(6)	08.6200.5.020	3-17	14	1	08.6532.8.050	3-33	18	(4)
08.6032.4.012	3-65	22	(4)	08.6200.6.010	3-47	59	(2)	08.6652.3.016	3-33	23	(2)
08.6100.3.008	3-19	5	2	08.6200.6.012	3-37	6	(2)	08.6652.3.016	3-35	14	(2)
08.6100.3.008	3-27	21	1	08.6200.6.012	3-41	6	(2)	08.6662.3.006	3-47	55	(1)

**INDEX**

PART NUMBER	PAGE	DET	QTY	PART NUMBER	PAGE	DET	QTY	PART NUMBER	PAGE	DET	QTY
08.6662.3.006	3-53	14	2	08.6802.4.000	3-37	34	4	08.6852.8.000	3-33	19	(4)
08.6662.4.010	3-47	60	(3)	08.6802.4.000	3-41	38	4	08.6852.8.000	3-35	16	(4)+(4)+(4)
08.6663.5.025	3-33	12	10	08.6802.4.000	3-45	32	8	08.6852.8.000	3-49	6	(4)
08.6663.5.025	3-35	19	(11)	08.6802.6.000	3-35	31	((1))	08.6882.0.000	3-35	27	((12))
08.6663.5.025	3-65	15	8	08.6802.8.000	3-35	15	(4)+((4))	08.6887.5.000	3-9	17	1
08.6676.3.020	3-35	08	(17)	08.6802.8.000	3-49	9	(2)	08.6887.8.000	3-63	13	3
08.6676.3.020	3-71	16	4	08.6832.0.000	3-35	28	((8+2+2))				
08.6676.4.025	3-57	44	4	08.6832.4.000	3-17	12	1	<b>12.0008.3.023</b>			
08.6683.4.007	3-49	15	1	08.6832.4.000	3-35	24	((1))	12.0008.3.023	3-17	15	1
08.6683.4.007	3-53	16	2	08.6832.4.000	3-65	20	(1)	12.0008.3.023	3-31	14	1
08.6700.4.000	3-5	22	1	08.6832.5.000	3-53	02	2	12.0008.3.023	3-33	17	(1)
08.6700.4.000	3-7	11	1	08.6832.6.000	3-35	29	((1))	12.0008.3.023	3-35	12	(1)
08.6700.4.000	3-55	17	1	08.6832.6.000	3-37	7	(2)	12.0008.3.023	3-53	12	3
08.6700.5.000	3-17	09	2	08.6832.6.000	3-41	7	(2)	12.0008.3.023	3-55	9	7
08.6700.5.000	3-19	24	2	08.6832.8.000	3-35	38	((2)+(2))	12.0008.3.081	3-69	20*	1
08.6700.5.000	3-23	19	1	08.6842.5.000	3-65	16	8	12.0008.3.251	3-69	19	1
08.6700.5.000	3-25	34	3	08.6845.4.000	3-65	23	(4)	12.0008.3.409	3-53	26	1
08.6700.5.000	3-25	38	1	08.6850.3.000	3-21	27	1	12.0008.3.409	3-53	28	2
08.6700.5.000	3-53	06	2	08.6850.3.000	3-63	17	2	12.0008.3.409	3-59	6	4
08.6700.5.000	3-55	37	4	08.6850.4.000	3-7	13	1	12.0008.3.411	3-53	29	4
08.6700.8.000	3-13	57	1	08.6850.4.000	3-21	18	2	12.0008.3.411	3-55	19	13
08.6700.8.000	3-15	33	1	08.6850.4.000	3-25	41	4	12.0008.3.412	3-53	30	1
08.6700.8.000	3-33	02	(4)	08.6850.4.000	3-27	19	1	12.0008.3.413	3-53	25	1
08.6700.8.000	3-35	02	(8)	08.6850.4.000	3-67	16	3	12.0008.3.418	3-53	17	1
08.6702.3.000	3-59	12	1	08.6850.4.000	3-69	11	1	12.0008.3.420	3-53	07	1
08.6702.4.000	3-37	4	8	08.6850.5.000	3-23	20	1	12.0008.3.426	3-55	15	1
08.6702.4.000	3-41	4	8	08.6850.5.000	3-25	2	3	12.0008.3.430	3-53	23	1
08.6702.4.000	3-45	03	8	08.6850.5.000	3-27	25	2	12.0008.3.433	3-53	27	1
08.6702.6.000	3-71	10	1	08.6850.5.000	3-29	04	4	12.0008.3.437	3-53	34*	1
08.6702.8.000	3-33	20	(4)	08.6850.5.000	3-53	05	2	12.0008.3.463	3-69	26*	—
08.6702.8.000	3-35	41	(4)	08.6850.5.000	3-67	6	2	12.0008.3.464	3-69	22*	—
08.6702.8.000	3-49	10	(2)	08.6850.5.000	3-71	22	2	12.0008.3.465	3-69	25*	—
08.6710.3.000	3-5	26	2	08.6850.6.000	3-9	11	1	12.0008.3.466	3-69	23*	—
08.6710.5.000	3-13	52	2	08.6850.6.000	3-25	30	2	12.0008.3.467	3-69	24*	—
08.6710.5.000	3-15	23	2	08.6850.6.000	3-67	18	3	12.0008.3.475	3-55	1	1
08.6710.6.000	3-21	1	1	08.6850.8.000	3-13	56	1	12.0008.3.484	3-53	08	1
08.6733.3.000	3-11	24	2	08.6850.8.000	3-15	32	1	12.0008.3.484	3-55	11	2
08.6742.8.000	3-33	10	(4)	08.6852.4.000	3-35	23	((1))	12.0008.3.486	3-55	14	1
08.6752.8.000	3-33	21	(4)	08.6852.4.000	3-37	35	4	12.0008.3.488	3-55	12	1
				08.6852.4.000	3-41	39	4	12.0008.3.496	3-67	1	1
<b>08.6800.4.000</b>				08.6852.4.000	3-45	33	8	12.0008.3.497	3-55	20	1
08.6800.4.000	3-11	43	2	08.6852.4.000	3-49	14	1	12.0008.3.498	3-55	18	1
08.6800.4.000	3-15	26	2	08.6852.5.000	3-35	18	(11)	12.0008.3.499	3-59	11	1
08.6800.4.000	3-21	19	2	08.6852.6.000	3-35	30	((1))	12.0008.3.601	3-59	14	1
08.6800.5.000	3-67	7	3	08.6852.6.000	3-71	9	1	12.0008.3.602	3-59	13	1

## INDEX

PART NUMBER	PAGE	DET	QTY	PART NUMBER	PAGE	DET	QTY	PART NUMBER	PAGE	DET	QTY
12.0008.3.606	3-53	22	1	12.0008.4.231	3-37	33	1	12.0008.4.742	3-45	15	1
12.0008.3.607	3-69	01*	1*	12.0008.4.231	3-41	37	3	12.0008.4.777	3-33	24**	1**
12.0008.3.608	3-69	02	1	12.0008.4.231	3-45	31	2	12.0008.4.777	3-35	06	(1)
12.0008.3.621	3-55	21	2	12.0008.4.279	3-3	38	1	12.0008.4.777	3-41	20	1
12.0008.3.623	3-53	24	1	12.0008.4.279	3-49	18*	(1)*	12.0008.4.833	3-51	12	1
12.0008.3.659	3-53	03	1	12.0008.4.280	3-49	13	1	12.0008.4.835	3-37	40	1
12.0008.3.751	3-57	43	1	12.0008.4.280	3-53	18	2	12.0008.4.835	3-41	44	1
12.0008.3.753	3-53	04	1	12.0008.4.296	3-49	3	(1)	12.0008.4.835	3-45	36	1
12.0008.3.828	3-53	13	3	12.0008.4.366	3-37	36	2	12.0008.4.848	3-67	20	2
12.0008.3.828	3-55	5	9	12.0008.4.366	3-41	40	1	12.0008.4.849	3-67	24	1
12.0008.3.829	3-53	09	1	12.0008.4.366	3-45	34	1	12.0008.4.861	3-37	39	1
12.0008.3.830	3-53	15	1	12.0008.4.378	3-39	52	1	12.0008.4.861	3-41	43	1
12.0008.3.830	3-55	7	1	12.0008.4.378	3-47	47	1	12.0008.4.863	3-37	38	1
12.0008.3.831	3-53	21	1	12.0008.4.403	3-37	23*	1*	12.0008.4.863	3-41	42	1
12.0008.3.831	3-55	2	1	12.0008.4.403	3-41	25	1	12.0008.4.885	3-37	32	1
12.0008.3.832	3-53	20	1	12.0008.4.403	3-45	20	1	12.0008.4.885	3-45	30	1
12.0008.3.833	3-49	17	1	12.0008.4.472	3-37	44	2	12.0008.6.001	3-69	09	1
12.0008.3.835	3-55	13	2	12.0008.4.472	3-43	48	2	12.0008.6.100	3-69	17	1
12.0008.3.836	3-49	20**	1**	12.0008.4.472	3-45	39	2	12.0008.6.101	3-69	15	1
12.0008.3.838	3-55	3	2	12.0008.4.563	3-37	15	1	12.0008.6.102	3-69	14	1
12.0008.3.838	3-55	4	2	12.0008.4.563	3-41	15	1	12.0008.6.105	3-69	18	1
12.0008.3.839	3-55	8	1	12.0008.4.563	3-45	09	1	12.0008.6.109	3-69	13	1
				12.0008.4.565	3-37	2	(2)	12.0008.6.112	3-69	16	1
<b>12.0008.4.050</b>				12.0008.4.565	3-41	2	(2)	12.0008.6.213	3-65	25	(6)
12.0008.4.050	3-51	8	1	12.0008.4.570	3-37	14	1	12.0008.6.518	3-55	22	1
12.0008.4.052	3-17	10	1	12.0008.4.570	3-41	14	2	12.0008.6.800	3-19	23	1
12.0008.4.052	3-35	21	((1))	12.0008.4.570	3-45	8	(4)	12.0008.6.801	3-33	06	(4)
12.0008.4.052	3-65	21	1	12.0008.4.571	3-37	9	(2)	12.0008.6.801	3-35	05	(4)
12.0008.4.058	3-33	22	(1)	12.0008.4.571	3-41	9	(2)	12.0008.6.813	3-35	33	((3))
12.0008.4.058	3-35	13	(1)	12.0008.4.574	3-41	5	(1)	12.0008.6.900	3-33	05	(1)
12.0008.4.058	3-49	11	(2)	12.0008.4.598	3-25	35	1	12.0008.6.901	3-33	15	(1)
12.0008.4.058	3-53	11	3	12.0008.4.631	3-65	27	(1)	12.0008.6.901	3-35	43	(1)
12.0008.4.058	3-55	10	6	12.0008.4.632	3-17	16*	1*	12.0008.6.964	3-35	40	((4))
12.0008.4.072	3-25	13	10	12.0008.4.657	3-71	19	1	12.0008.6.965	3-35	42	(1)
12.0008.4.072	3-49	12	(2)	12.0008.4.661	3-71	18	1	12.0008.6.981	3-71	20	1
12.0008.4.072	3-71	15	5	12.0008.4.664	3-51	11	1	12.0008.6.982	3-71	5	2
12.0008.4.100	3-25	40	1	12.0008.4.665	3-51	10	1				
12.0008.4.155	3-43	53	1	12.0008.4.679	3-37	22*	(1)*	<b>12.0010.4.052</b>			
12.0008.4.197	3-17	08	2	12.0008.4.679	3-41	24	(1)	12.0010.4.052	3-71	13	2
12.0008.4.207	3-37	31	7	12.0008.4.679	3-45	19	(1)	12.0010.4.067	3-51	7	1
12.0008.4.207	3-41	35	7	12.0008.4.698	3-45	21	1	12.0010.4.071	3-51	5	0
12.0008.4.207	3-45	29	5	12.0008.4.710	3-37	21	1	12.0010.4.078	3-51	9	1
12.0008.4.214	3-49	16	(1)	12.0008.4.710	3-41	23	1	12.0010.4.094	3-47	62	3
12.0008.4.215	3-41	21	4	12.0008.4.710	3-45	18	(3)	12.0010.4.142	3-71	3	1
12.0008.4.216	3-47	54	1	12.0008.4.713	3-41	36	1	12.0010.4.143	3-71	2	2

**INDEX**

PART NUMBER	PAGE	DET	QTY	PART NUMBER	PAGE	DET	QTY	PART NUMBER	PAGE	DET	QTY
12.0010.4.168	3-51	13	1	<b>17.0014.1.226</b>				22.0027.0.000	3-19	19	1
12.0010.4.177	3-37	27	1	17.0014.1.226	3-67	8	2	22.0028.0.000	3-19	17	2
12.0010.4.177	3-45	25	1	17.0019.0.441	3-33	03	(4)	22.0029.0.000	3-19	15	2
12.0010.4.178	3-37	28	1	17.0019.0.441	3-35	03	(4)	22.0030.0.000	3-19	26	1
12.0010.4.178	3-45	26	1	17.0019.0.517	3-11	37	1	22.0031.0.000	3-13	51	2
12.0010.4.179	3-37	29	1	17.0019.2.057	3-11	25	1	22.0031.0.000	3-15	15	2
12.0010.4.179	3-45	27	1	17.0026.2.077	3-3	34	1	22.0032.0.000	3-13	49	2
12.1010.2.003	3-25	33	1	17.0027.1.799	3-31	9	1	22.0046.0.000	3-21	16	1
12.1010.2.013	3-61	7	1	17.0031.0.460	3-5	25	2	22.0049.0.000	3-11	31	1
12.1011.0.001	3-25	36	1	17.0081.6.225	3-35	35	((1))	22.0054.0.000	3-25	6	1
12.1014.0.005	3-63	3	1	17.0082.6.000	3-31	10	1	22.0057.0.000	3-29	14	1
12.1016.0.000	3-35	34	((2))	17.0082.8.017	3-3	35	2	22.0058.0.000	3-25	8	1
12.1016.1.000	3-33	7	(6)	17.0082.8.082	3-25	23	1	22.0061.0.000	3-11	7	1
12.1016.1.000	3-35	11	(2)	17.0094.0.200	3-33	13	(4)	22.0062.0.000	3-25	11	1
12.1045.0.011	3-67	3	1	17.0094.5.310	3-31	12	1	22.0063.0.000	3-19	4	1
12.1045.2.001	3-3	29	1	17.0095.1.272	3-33	04	(4)	22.0064.0.000	3-15	16	1
12.1045.2.001	3-27	36	1	17.0095.1.272	3-35	04	(4)	22.0064.0.000	3-19	14	2
12.1045.3.001	3-7	4	1	17.0095.1.329	3-31	7	1	22.0069.0.000	3-19	21	1
12.2010.1.002	3-15	14	2					22.0091.0.000	3-21	24	1
12.2050.0.003	3-3	20	1	<b>19.0005.0.013</b>				22.0097.0.000	3-23	13	1
12.2050.0.005	3-27	30	1	19.0005.0.013	3-47	58	(1)	22.0100.0.000	3-11	34	4
12.2070.0.005	3-65	11	(4)	19.0014.7.003	3-47	56	(1)	22.0100.0.000	3-15	20	3
12.2070.0.006	3-65	12	(2)	19.0083.7.002	3-47	57	(1)	22.0100.0.000	3-19	11	4
12.2070.0.007	3-65	10	(2)					22.0104.0.000	3-31	6	1
12.2070.0.008	3-65	14	1	<b>20.0092.0.004</b>				22.0105.0.000	3-15	29	1
12.2070.0.009	3-65	9	1	20.0092.0.004	3-7	2	1	22.0106.0.000	3-23	25	2
12.4030.0.002	3-27	27	1	20.0093.2.004	3-7	1	1	22.0107.0.000	3-31	13	1
12.5050.2.009	3-25	15	1	20.0094.0.000	3-15	7	1	22.0108.0.000	3-31	8	1
12.8000.0.016	3-53	10	1	20.0094.0.000	3-69	03	1	22.0110.0.000	3-13	54	1
12.8000.0.040	3-37	42	1	20.0111.0.000	3-15	8	1	22.0110.0.000	3-19	9	1
12.8000.0.040	3-43	46	1	20.0112.0.000	3-15	10	1	22.0114.0.000	3-11	2	1
12.8000.0.040	3-45	37	1					22.0115.0.000	3-27	43	1
12.8000.0.041	3-37	41	1	<b>22.0006.0.000</b>				22.0120.0.000	3-31	5	1
12.8000.0.041	3-41	45	1	22.0006.0.000	3-27	34	1	22.0121.0.000	3-11	3	1
12.8000.0.047	3-37	16	1	22.0008.0.000	3-19	2	1	22.0137.0.000	3-23	10	2
12.8000.0.047	3-41	16	1	22.0009.0.000	3-19	12	(1)	22.0143.0.000	3-27	06	4
12.8000.0.047	3-45	10	1	22.0009.0.050	3-19	28	1	22.0153.0.000	3-27	38	2
12.8000.0.048	3-45	14	1	22.0020.0.000	3-19	22	1	22.0159.0.000	3-5	20	1
12.8000.0.112	3-39	57	1	22.0021.0.000	3-13	47	1	22.0161.0.000	3-21	23	1
12.8000.0.112	3-47	64	1	22.0021.0.000	3-15	27	1	22.0164.0.000	3-5	16	1
12.8000.0.151	3-39	48	1	22.0022.0.000	3-13	55	1	22.0173.0.000	3-5	02	2
12.8000.0.151	3-43	52	1	22.0022.0.000	3-15	31	1	22.0175.0.000	3-3	27	1
12.8000.0.152	3-45	43	1	22.0023.0.000	3-15	28	1	22.0182.0.000	3-23	12	2
12.8000.1.028	3-17	06	1	22.0024.0.000	3-15	22	1	22.0183.0.000	3-11	39	1
				22.0026.0.000	3-11	40	1	22.0183.0.000	3-15	18	1

## INDEX

PART NUMBER	PAGE	DET	QTY	PART NUMBER	PAGE	DET	QTY	PART NUMBER	PAGE	DET	QTY
22.0183.0.000	3-19	7	1	22.0545.0.000	3-3	25	1	<b>24.0001.0.000</b>			
22.0184.0.000	3-11	21	3	22.0545.0.000	3-27	41	1	24.0001.0.000	3-3	33	1
22.0186.0.000	3-11	27	1	22.1010.0.000	3-17	04	2	24.0002.0.000	3-3	28	1
22.0195.0.000	3-3	1	1	22.1415.0.050	3-21	11	1	24.0002.0.000	3-27	32	1
<b>22.0208.0.000</b>				22.1422.0.000	3-25	22	1	24.0003.0.000	3-7	6	1
22.0208.0.000	3-11	26	1	22.1436.0.000	3-21	14	2	24.0004.0.000	3-7	8	1
22.0209.0.000	3-69	04	1	22.2410.0.000	3-15	3	1	24.0005.0.000	3-7	10	1
22.0213.0.000	3-69	10	1	22.2425.0.050	3-15	19	1	24.0006.0.000	3-7	14	1
22.0214.0.000	3-19	10	1	22.2440.0.000	3-15	5	2	24.0009.0.000	3-21	9	1
22.0219.0.000	3-33	16	1	22.2442.0.000	3-15	2	2	24.0010.0.000	3-21	8	1
22.0219.0.000	3-35	45	1	22.2607.0.000	3-23	01	1	24.0011.0.000	3-21	5	1
22.0223.0.000	3-5	24	1	22.2610.0.000	3-23	14	1	24.0014.0.000	3-21	6	1
22.0224.0.000	3-5	23	1	22.2626.0.000	3-23	03	1	24.0016.0.000	3-25	32	1
22.0228.0.000	3-11	12	1	22.2627.0.000	3-23	02	2	24.0018.0.000	3-27	14	1
22.0229.0.000	3-31	3	2	22.2631.0.000	3-23	24	1	24.0019.0.000	3-27	29	1
22.0230.0.000	3-3	8	2	22.2633.0.000	3-23	23	1	24.0020.0.000	3-27	24	1
22.0232.0.000	3-13	53	1	22.2635.0.000	3-23	16	1	24.0024.0.000	3-69	06	1
22.0232.0.000	3-15	24	1	22.2637.0.000	3-23	22	1	24.0027.0.000	3-27	42	1
22.0233.0.000	3-15	30	1	22.2638.0.000	3-23	17	1	24.0030.0.000	3-69	05	1
22.0239.0.000	3-3	9	2	22.2639.0.000	3-23	18	1	24.0033.0.000	3-19	25	1
22.0300.0.000	3-27	40	1	22.2640.0.050	3-23	26	1	24.0035.1.000	3-5	06	1
22.0305.0.000	3-11	35	1	22.2651.0.000	3-9	15	1	24.0036.1.000	3-5	03	1
22.0309.0.000	3-11	20	(1)	22.2652.0.000	3-9	4	1	24.0037.0.000	3-21	2	1
22.0309.0.050	3-13	59	1	22.2653.0.000	3-9	2	1	24.0038.0.000	3-17	05	1
22.0312.0.000	3-11	6	1	22.2655.0.000	3-9	18	1	24.0039.1.000	3-21	13	1
22.0313.0.000	3-11	17	(1)	22.2656.0.000	3-9	7	1	24.0044.0.000	3-25	19	1
22.0315.0.000	3-11	22	1	22.2657.0.000	3-9	6	1	24.0048.0.000	3-3	26	1
22.0320.0.000	3-11	36	1	22.2664.0.000	3-9	24	1	24.0049.0.000	3-11	14	2
22.0325.0.000	3-11	10	1	22.2665.0.000	3-9	19	1	24.0050.0.000	3-53	31	1
22.0336.0.000	3-11	44	1	22.3003.0.000	3-23	28	1	24.0051.0.066	3-27	16	1
22.0353.0.000	3-13	48	3	22.3022.0.000	3-27	07	1	24.0055.0.000	3-19	3	1
22.0354.0.000	3-11	4	1	22.3029.0.000	3-5	28	2	24.0059.9.017	3-39	47	1
22.0370.0.000	3-11	46	1	22.3034.0.000	3-5	15	1	24.0059.9.017	3-43	51	1
22.0400.0.000	3-9	23	1	22.3036.0.000	3-5	11*	1*	24.0059.9.017	3-45	42	1
22.0405.0.000	3-9	14	1	22.3064.0.000	3-27	44	1	24.0059.9.064	3-41	30	1
22.0408.1.000	3-27	09	1	22.3068.0.000	3-27	01	8	24.0059.9.069	3-37	25	1
22.0520.0.000	3-3	6	1	22.3068.0.000	3-27	01**	4	24.0059.9.069	3-41	27	1
22.0525.0.000	3-3	16	(1)	22.3069.0.000	3-23	07	1	24.0059.9.069	3-45	22	1
22.0525.0.050	3-3	24	1	22.3219.0.000	3-27	18	1	24.0061.0.000	3-21	28	1
22.0530.0.000	3-3	10	1	22.6002.0.000	3-25	25	1	24.0062.0.000	3-21	21	1
22.0535.0.100	3-3	30	1	22.8400.0.000	3-27	39	1	24.0063.0.000	3-21	25	1
22.0540.0.000	3-3	14	1	<b>23.2106.0.000</b>				24.0066.0.000	3-15	13	2
22.0541.0.000	3-3	13	1	23.2106.0.000	3-15	9	1	24.0067.0.000	3-29	03	1
22.0542.0.000	3-3	11	1	23.2107.0.000	3-15	12	1	24.0068.0.000	3-29	02	1
								24.0069.9.003	3-49	4	(1)

**INDEX**

PART NUMBER	PAGE	DET	QTY	PART NUMBER	PAGE	DET	QTY	PART NUMBER	PAGE	DET	QTY
24.0069.9.004	3-41	22	1	24.0510.0.000	3-3	3	1	24.4017.0.000	3-63	1	1
24.0069.9.006	3-41	29	1	24.0546.0.000	3-25	39	1	24.4018.0.000	3-5	29*	1*
24.0069.9.009	3-49	1	1	24.1000.0.000	3-27	28	1	24.4019.0.000	3-63	20	1
24.0069.9.023	3-41	19	1	24.1430.1.000	3-21	20	1	24.4023.0.000	3-61	8	1
24.0069.9.027	3-41	28	1	24.2035.0.000	3-11	29	1	24.4024.0.000	3-61	9	1
24.0069.9.038	3-49	01*	1*	24.2400.0.000	3-27	35	1	24.4025.0.000	3-61	6	1
24.0069.9.040	3-35	07	(1)	24.2630.1.000	3-23	21	1	24.4026.0.000	3-61	2	1
24.0069.9.042	3-41	31	1	24.3026.0.000	3-5	19	1	24.4027.0.000	3-61	4	1
24.0069.9.043	3-41	33	1	24.3028.0.000	3-5	12	1	24.4028.1.000	3-23	29*	1*
24.0069.9.047	3-71	17	1	24.3054.0.000	3-27	02	2	24.4029.0.000	3-67	5	1
24.0069.9.063	3-33	11	1	24.3055.0.000	3-27	04	1	24.4030.0.000	3-67	9	2
24.0069.9.306	3-49	04*	(1)*	24.3070.0.000	3-23	06	1	24.4031.0.000	3-67	11	1
24.0080.0.000	3-7	5	1	24.3071.0.000	3-9	20	1	24.4032.0.000	3-67	12	1
24.0097.0.000	3-49	7	(1)	24.3072.0.000	3-9	13	1	24.4034.0.000	3-67	13	1
				24.3073.0.000	3-9	9	1	24.4036.0.000	3-67	19	1
<b>24.0100.0.000</b>				24.3074.0.000	3-9	8	2	24.4037.0.000	3-67	21	1
24.0100.0.000	3-3	36	1	24.3075.0.000	3-9	12	1	24.4039.0.000	3-65	7	1
24.0108.0.000	3-25	16	1	24.3076.0.000	3-23	05	1	24.4040.0.000	3-65	6	1
24.0111.0.000	3-17	01	1	24.3077.0.000	3-23	08	1	24.4041.0.000	3-65	5	1
24.0112.0.000	3-29	11	1	24.3079.0.000	3-69	29*	—	24.4042.0.000	3-65	2	1
24.0119.0.050	3-25	24	1	24.3080.0.000	3-69	30*	—	24.4043.0.000	3-67	23	1
24.0126.0.000	3-11	5	1	24.3081.0.000	3-27	04*	1*	24.4044.0.000	3-55	40	1
24.0127.0.000	3-11	42	1	24.3082.0.000	3-71	8	1	24.4045.0.000	3-55	25	2
24.0139.0.000	3-31	2	1	24.3083.0.000	3-71	11	1	24.4046.0.000	3-55	34	2
24.0140.0.000	3-13	60	1	24.3084.0.000	3-71	4	1	24.4047.0.000	3-55	41	1
24.0141.0.000	3-31	1	1	24.3085.0.000	3-27	45*	1*	24.4048.0.050	3-65	26	1
24.0142.0.000	3-33	09**	(1)	24.3090.0.000	3-71	12	1	24.4048.0.901	3-65	18	(1)
24.0142.0.050	3-33	01**	1	24.3091.0.000	3-71	21	1	24.4048.0.902	3-65	29	1
24.0145.1.000	3-53	32	1	24.4001.0.050	3-59	10	1	24.4049.0.000	3-65	24	2
24.0146.0.000	3-37	8	(1)	24.4001.0.901	3-59	8	(1)	24.4051.0.000	3-65	17	(1)
24.0146.0.000	3-41	8	(1)	24.4001.0.902	3-59	7	(1)	24.4056.0.000	3-67	14	1
24.0147.0.000	3-37	10	(2)	24.4002.0.000	3-59	4	1	24.4057.0.000	3-61	12	1
24.0147.0.000	3-41	10	(2)	24.4003.0.000	3-59	3	1	24.4058.0.000	3-61	11	1
24.0148.0.000	3-37	18	1	24.4004.0.000	3-59	2	1	24.4059.1.000	3-55	42	0
24.0148.0.000	3-41	18	1	24.4005.0.000	3-63	21	1	24.4059.1.000	3-57	42	0
24.0148.0.000	3-45	12	1	24.4006.0.000	3-63	22	1	24.4068.0.000	3-55	36	1
24.0154.0.000	3-29	16	1	24.4007.0.000	3-63	24	1	24.4069.0.000	3-55	33	1
24.0155.0.000	3-17	04*	2*	24.4008.0.000	3-63	18	1	24.4070.0.000	3-55	32	1
24.0158.1.000	3-5	09	1	24.4009.0.000	3-63	11	1	24.4071.0.000	3-55	30	1
24.0166.0.000	3-67	25	2	24.4010.0.000	3-63	8	1	24.4072.0.000	3-55	29	1
24.0167.0.000	3-25	31	1	24.4011.0.000	3-63	14	1	24.4073.0.000	3-55	26	1
24.0168.0.000	3-45	06	(3)	24.4013.0.000	3-63	10	1				
24.0169.0.000	3-45	5	(1)	24.4014.0.000	3-63	7	1	<b>24.6000.5.000</b>			
24.0351.0.000	3-11	9	1	24.4015.0.000	3-63	6	1	24.6000.5.000	3-25	4	1
24.0500.0.000	3-3	19	1	24.4016.0.000	3-63	4	1	24.6001.2.000	3-29	10	1

## INDEX

PART NUMBER	PAGE	DET	QTY	PART NUMBER	PAGE	DET	QTY	PART NUMBER	PAGE	DET	QTY
24.6003.0.000	3-29	13	1								
24.6004.1.001	3-29	06	1								
24.6005.1.002	3-17	13	1								
24.6100.1.000	3-27	10	1								
24.8001.1.005	3-41	11	(1)								
24.8001.2.001	3-51	6	1								
24.8001.2.002	3-37	11	(1)								
24.8001.2.003	3-45	07	(1)								
24.8001.2.005	3-51	4	0								
<b>70.4165.1.125</b>											
70.4165.1.125	3-37	45	1								
70.4165.1.125	3-45	40	1								
84.0005.7.135	3-33	25*	(1)								