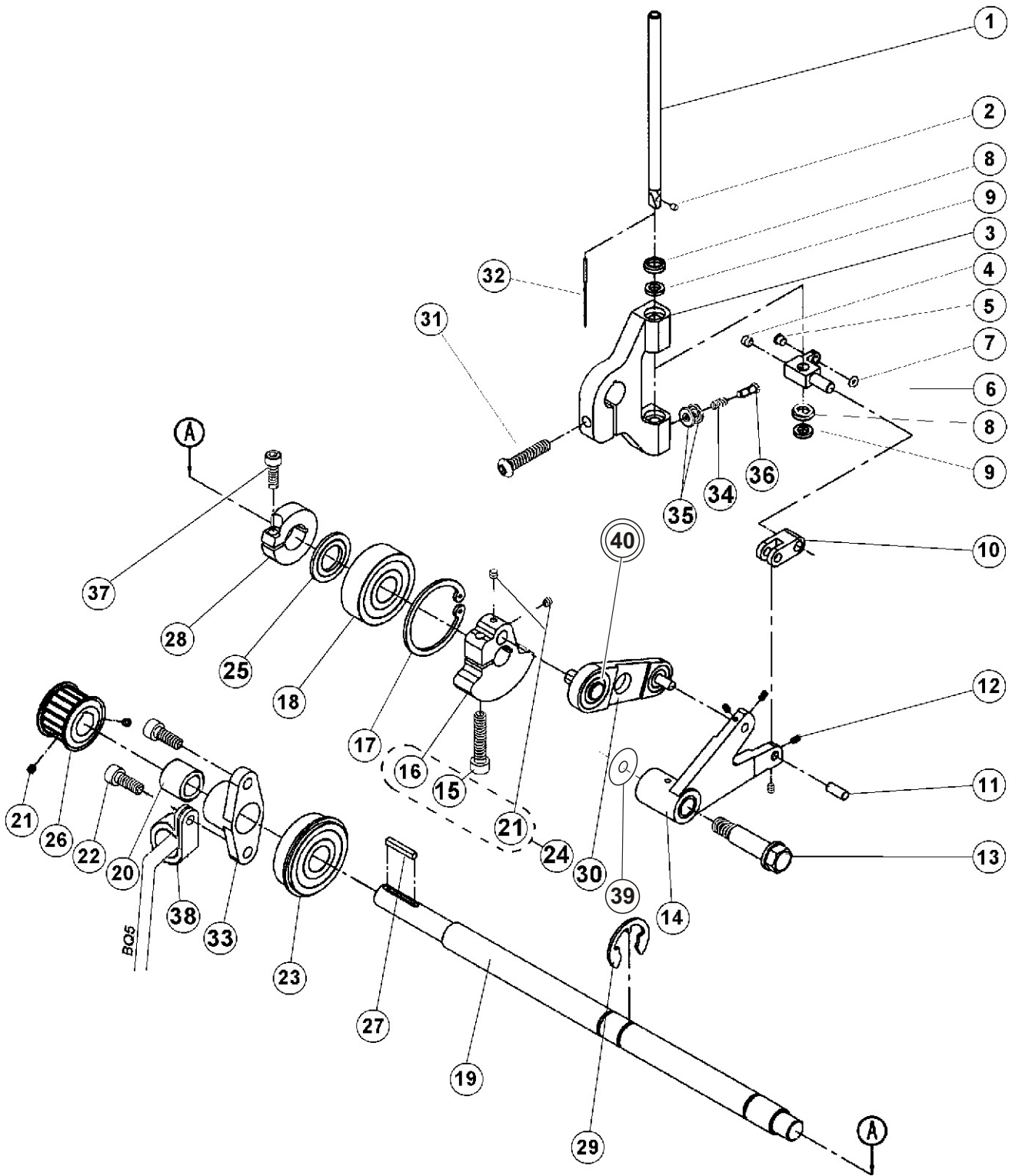


TABLE OF CONTENTS

Needle Bar	3-2
Clamping	3-4
Clamping Angle.....	3-6
Thread Trimmer.....	3-8
Shifter Mechanism	3-10
Feed Mechanism	3-14
Looper Mechanism.....	3-16
Base.....	3-18
Bite Mechanism.....	3-20
Thread Draw-off Mechanism	3-22
Main Cam.....	3-24
Head Assembly	3-26
Bedplate.....	3-28
Covers.....	3-30
Lubrication.....	3-32
Table.....	3-34
Electrical (ISBH+I) - I.....	3-38
Electrical - II	3-40
Electrical - III.....	3-42
Pneumatics.....	3-44
Pneumatics Indexer.....	3-46
Indexer Linear Guide.....	3-48
Indexer Clamping Assembly.....	3-50
Indexer Assembly.....	3-52
Indexer Guide Assembly.....	3-54
Clamping Feed Straight.....	3-56
Indexer Clamping - Angle.....	3-58
Indexer Cover - Angle.....	3-60
Indexer Guide - Angle.....	3-62
Clamp Feet - Angle.....	3-64
Thread Pick-up..	3-66
Accessories Extra Parts - Thread Pick-Up.....	3-68
Accessories.....	3-70
Recommended spare parts	3-72

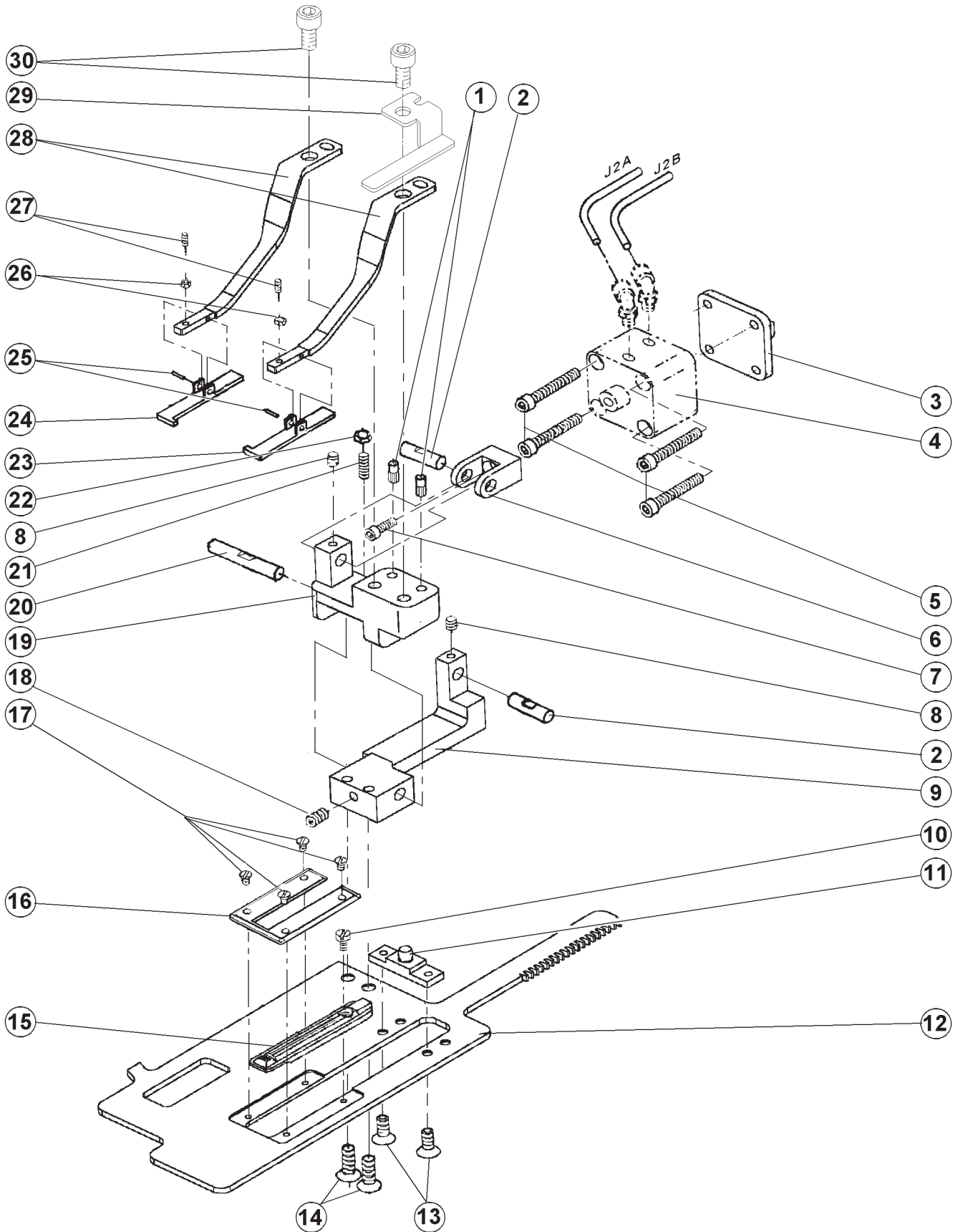
NEEDLE BAR



NEEDLE BAR

DET	PART NUMBER	DESCRIPTION	QTY.
01	22.0195.0.000	Needle Bar	1
02	01.2193.0.000	Screw 4-60	1
03	24.0510.0.000	Needle Bar Holder ●	1
04	08.6400.5.005	Set Screw M5 x 5	1
05	01.7447.1.000	Porcelain Guide ●●●	1
06	22.0520.0.000	Needle Bar Clamp	1
07	01.6551.0.000	Retaining Ring ●●●	1
08	22.0230.0.000	Cupped Washer	2
09	22.0239.0.000	Felt Washer ●●●	2
10	22.0530.0.000	Needle Bar Connecting Link	1
11	22.0542.0.000	Needle Bar Connecting Link Pin	1
12	08.6400.3.005	Set Screw M3 x 5	4
13	22.0541.0.000	Needle Bar Shoulder Screw	1
14	22.0540.0.000	Needle Bar Connecting Link Pin ● ●●	1
15	08.6000.6.030	Screw M6 x 30	(1)
16	22.0525.0.000	Needle Bar Crank	(1)
17	01.7809.0.000	Retaining Ring	1
18	01.7804.0.000	Top Shaft Bearing	1
19	24.0500.0.000	Needle Bar Drive Shaft	1
20	12.2050.0.003	Bearing	1
21	08.6400.4.004	Set Screw M4 x 4	2 (2)
22	08.6000.6.016	Screw M6 x 16	2
23	01.7805.0.000	Shaft Bearing	1
24	22.0525.0.050	Needle Bar Crank Asm.	1
25	22.0545.0.000	Washer	1
26	24.0048.0.000	Needle Bar Drive Pulley	1
27	22.0175.0.000	Drive Shaft Key	1
28	24.0002.0.000	Clamp Collar	1
29	12.1045.2.001	Retaining Ring	1
30	24.0535.0.100	Needle Bar Crank Link Asm. ●	1
31	08.6000.6.025	Screw M6 x 25	1
32	02.0750.2.110	Needle	1
33	24.0001.0.000	Bearing Carrier Upper Shaft	1
34	17.0026.2.077	Spring	1
35	17.0082.8.017	Tension Disk	2
36	24.0100.0.000	Screw M3.5 x 0.35-11	1
37	08.6000.5.016	Screw M5 x 16	1
38	12.0008.4.279	Plastic Cable Fitting ●●●	1
39	24.0546.0.000	Washer	1
40	24.0537.0.000	Eccentric Stud	(1)

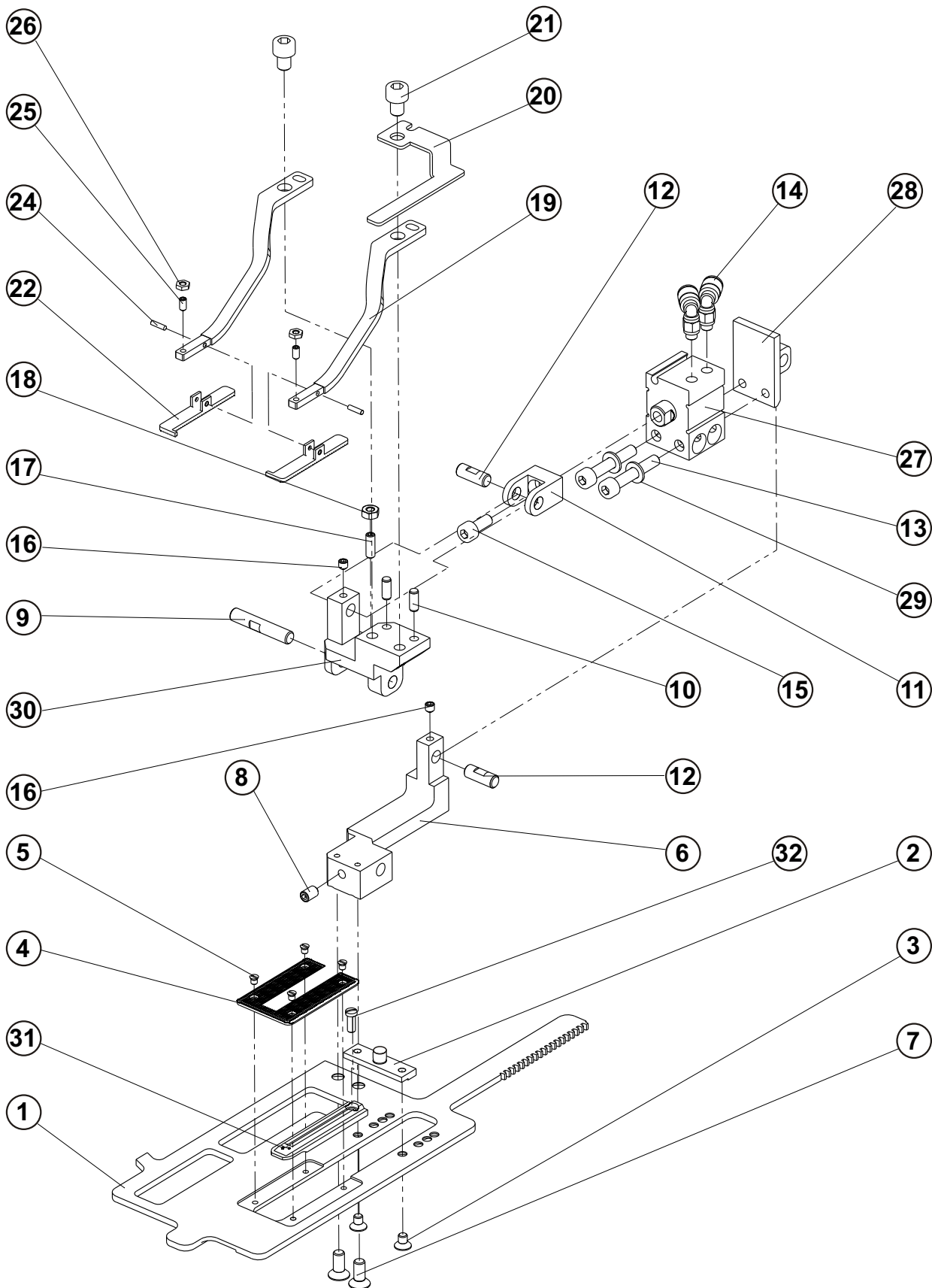
CLAMPING



CLAMPING

DET	PART NUMBER	DESCRIPTION	QTY.
01	07.6045.0.046	Pin	2
02	22.0173.0.000	Clamp Toggle Pivot Pin	2
03	24.0036.1.000	Cylinder Mounting Bracket	1
04	See Page 3-45	Cylinder ●	—
05	08.6000.5.022	Screw M5 x 22	4
06	24.0035.1.000	Cylinder Clevis	1
07	08.6000.5.012	Screw M5 x 12	1
08	08.6400.4.004	Set Screw M4 x 4	2
09	24.0158.1.000	Tail Bracket Clamp	1
10	01.2084.0.000	Fill. Screw 6-52	1
11	22.3036.0.000	Indexer Bracket *	1*
12	22.3028.0.000	Clamp Plate	1
13	08.6100.4.006	Screw M4x6 *	2*
14	08.6100.5.012	Screw M5 x 12	2
15	24.3034.0.000	Throat Plate	1
16	22.0164.0.000	Clamp Mat	1
17	01.2376.0.000	Screw 4-60	4
18	08.6400.5.008	Set Screw M5 x 10	1
19	24.3026.0.000	Tail Pivot Clamp	1
20	22.0159.0.000	Tail Pivot Clamp Pin	1
21	08.6400.4.012	Set Screw M4 x 12	1
22	08.6700.4.000	Nut M4	1
23	22.0224.0.000	R.H. Clamp Foot	1
24	22.0223.0.000	L.H. Clamp Foot	1
25	17.0031.0.460	Roll Pin	2
26	08.6710.3.000	Nut M3	2
27	08.6400.3.006	Set Screw M3 x 6	2
28	24.3029.0.000	Clamp Arm	2
29	24.4018.0.000	Stop *	1*
30	08.6000.6.010	Screw M6 x 10	2

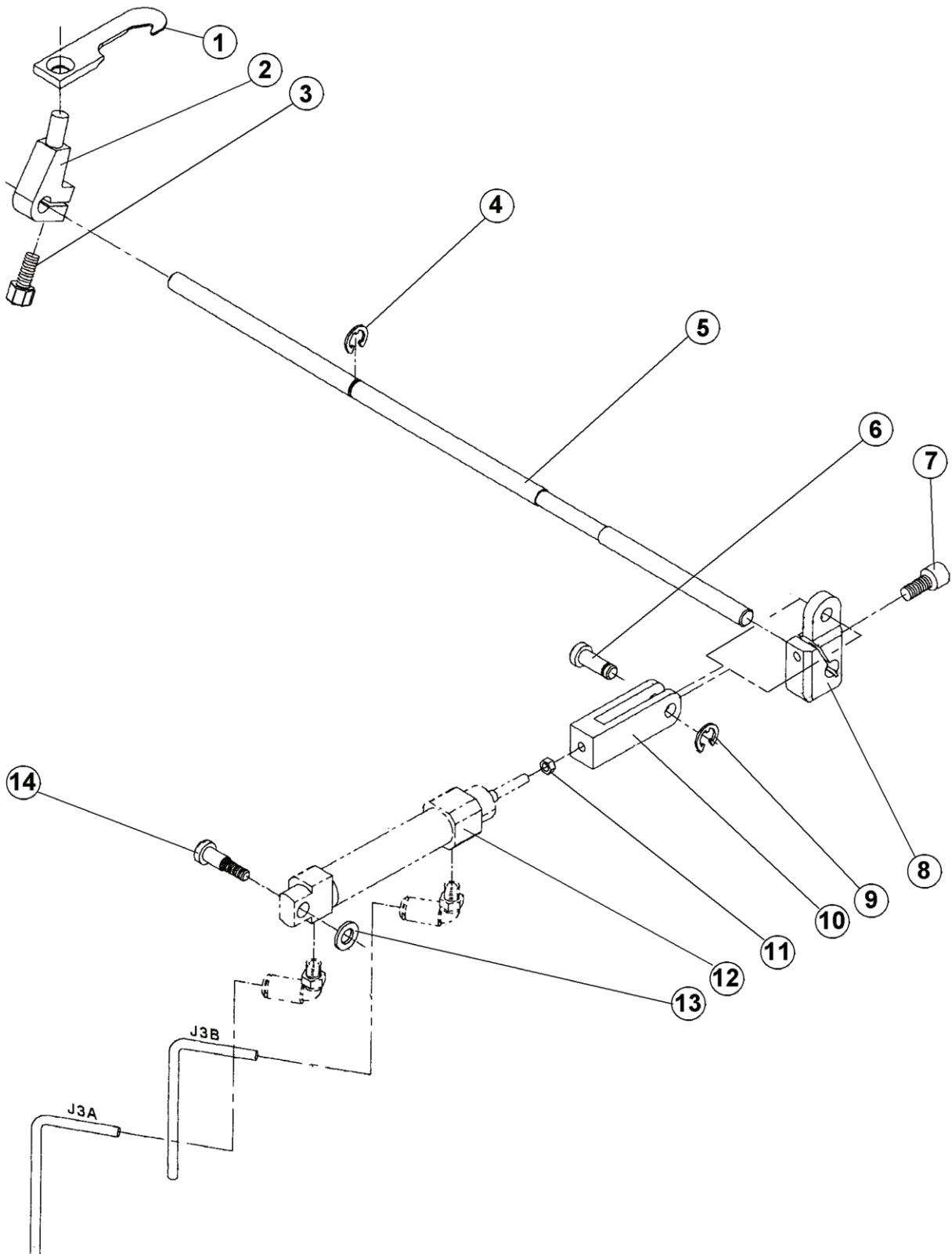
CLAMPING - ANGLE



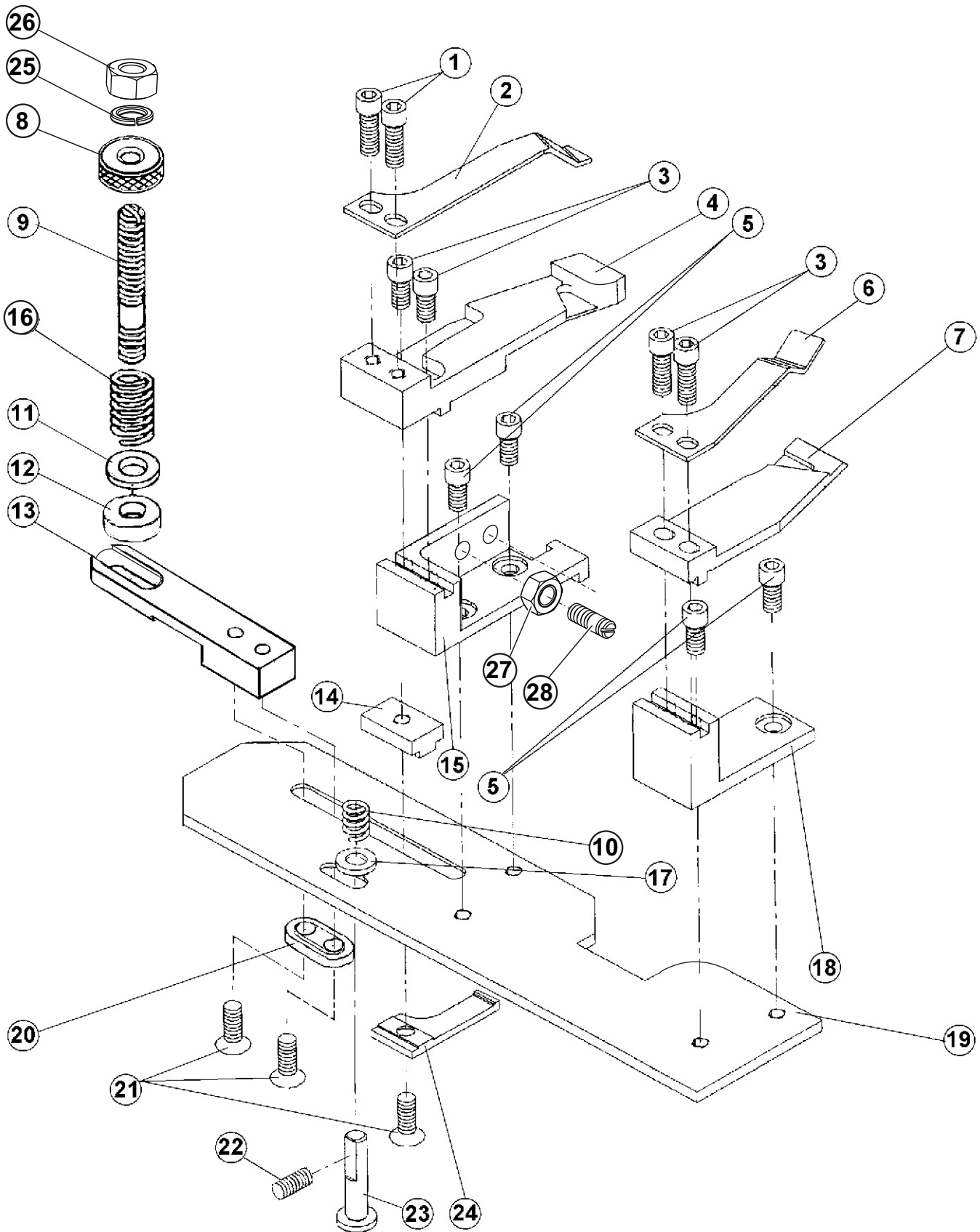
CLAMPING - ANGLE

DET	PART NUMBER	DESCRIPTION	QTY.
01	24.3028.1.000	Clamping Plate ISBH + I	1
02	24.4103.0.000	Indexer Bracket	1
03	08.6100.4.006	Screw M4 x 6	2
04	22.0164.0.000	Clamping Mat BH, ISBH	1
05	01.2376.0.000	Screw-flat Head	4
06	24.0158.2.000	Tail Bracket Clamp	1
07	08.6100.5.012	Screw M5 x12	2
08	08.6400.5.008	Screw M5 x 8	1
09	24.0143.0.000	Pin	1
10	07.6045.0.046	Pin 4 x 10	2
11	24.0035.2.000	Cylinder Clevis ●	1
12	22.0173.0.000	Pin	2
13	08.6000.5.030	Screw M5 x 30	2
14	12.0008.3.411	Connector	2
15	08.6000.5.012	Screw M5 x 12	1
16	08.6400.4.004	Screw M4 x 4	2
17	08.6400.4.012	Screw M4 x 12	1
18	08.6700.4.000	Nut M4	1
19	24.3029.0.000	Clamp Arm	2
20	24.4018.1.000	Indexer Clamping Holder	1
21	08.6000.6.010	Screw M6 x 10	2
22	22.0223.0.000	Left Foot	1
23	22.0224.0.000	Right Foot	1
24	17.0031.0.460	Pinn 2 x 8	2
25	08.6400.3.006	Screw M3 x 6	2
26	08.6710.3.000	Nut M3	2
27	12.0010.3.062	Cylinder ●	1
28	24.0036.2.000	Cylinder Holder ●	1
29	08.6850.5.000	Washer 5,3	2
30	24.3026.1.000	Clamp Arm Holder	1
31	24.3034.0.000	Throat Plate	1
32	01.2084.0.000	Screw	1

THREAD TRIMMER



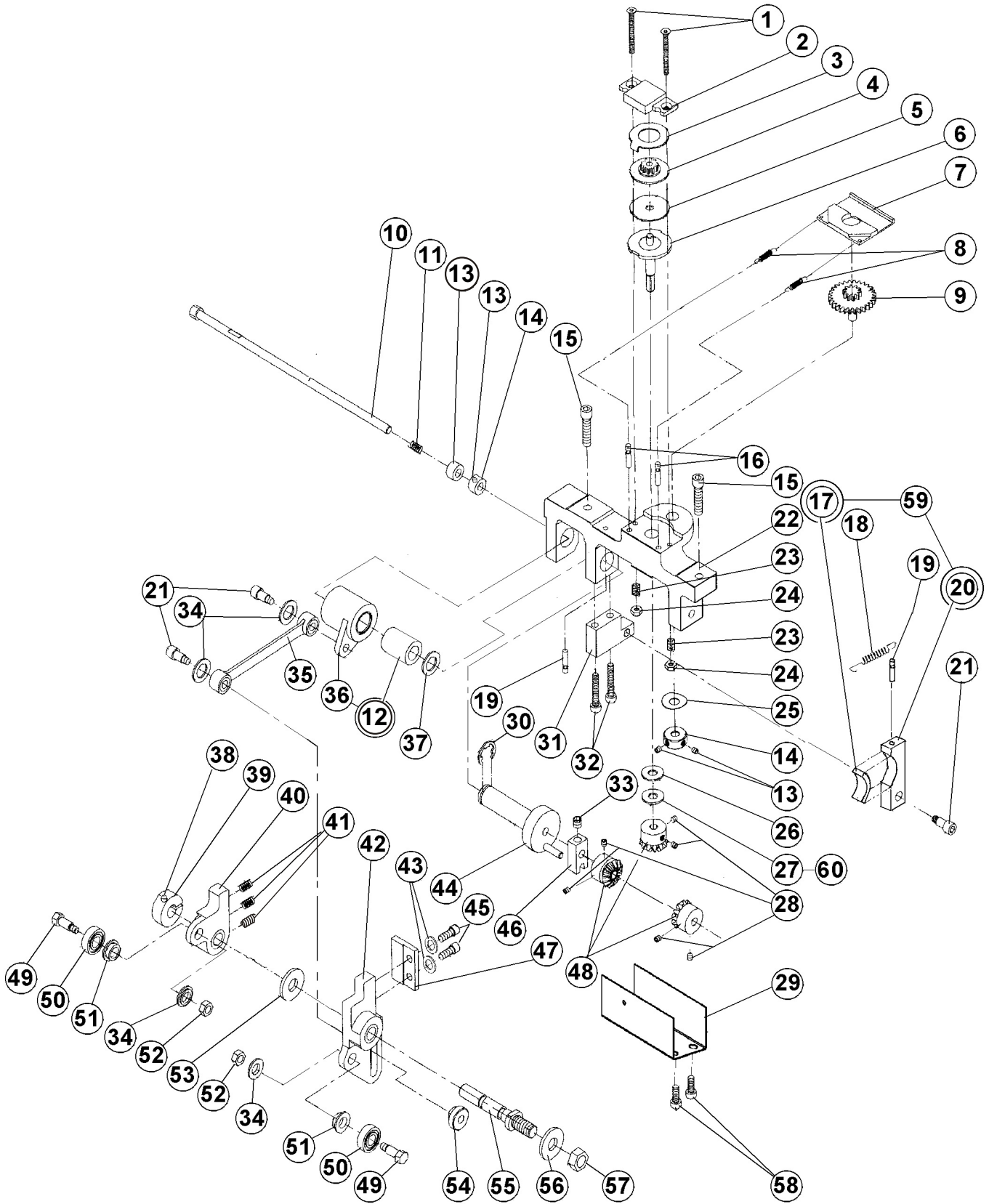
SHIFTER MECHANISM



SHIFTER MECHANISM

DET	PART NUMBER	DESCRIPTION	QTY.
01	08.6000.4.010	Screw M4 x 10	2
02	22.2653.0.000	Left Shifter Arm Spring	1
03	08.6000.4.016	Screw M4 x 16	4
04	22.2652.0.000	Left Shifter Arm	1
05	08.6000.4.005	Screw	4
06	22.2657.0.000	Right Shifter Arm Spring	1
07	22.2656.0.000	Right Shifter Arm	1
08	24.3074.0.000	Nut M6	1
09	24.3073.0.000	Screw	1
10	07.6440.0.040	Spring	1
11	08.6850.6.000	Washer	1
12	24.3075.0.000	Rubber Washer ●●●	1
13	24.3072.0.000	Shifter Brake	1
14	22.0405.0.000	Adjustable Link Nut	1
15	22.2651.0.000	Left Shifter Block	1
16	07.6440.0.032	Spring	1
17	08.6887.5.000	Washer	1
18	22.2655.0.000	Right Shifter Block	1
19	24.2665.0.000	Main Cam Shifter Plate	1
20	24.3071.0.000	Shifter Brake Bracket	1
21	08.6100.4.006	Screw M4 x 6	3
22	08.6400.4.005	Set Screw M4 x 5	1
23	22.0400.0.000	Spring Load Pin	1
24	22.2664.0.000	Buttonhole Adjusting Link	1
25	08.6802.6.000	Washer	1
26	08.6700.6.000	Nut M6	1
27	08.6700.5.000	Nut M5	1
28	24.4091.0.000	Stud	1

FEED MECHANISM

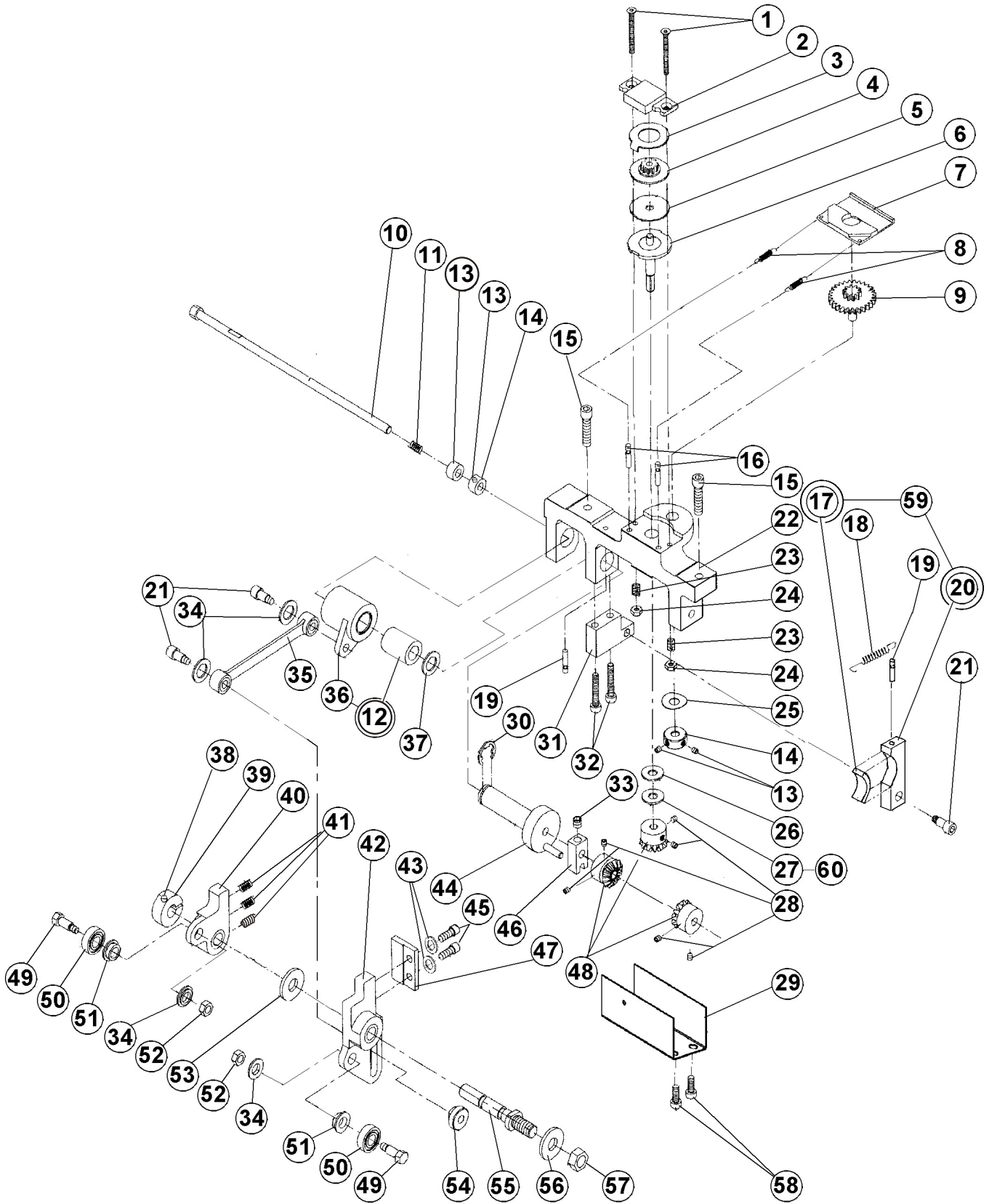


FEED MECHANISM

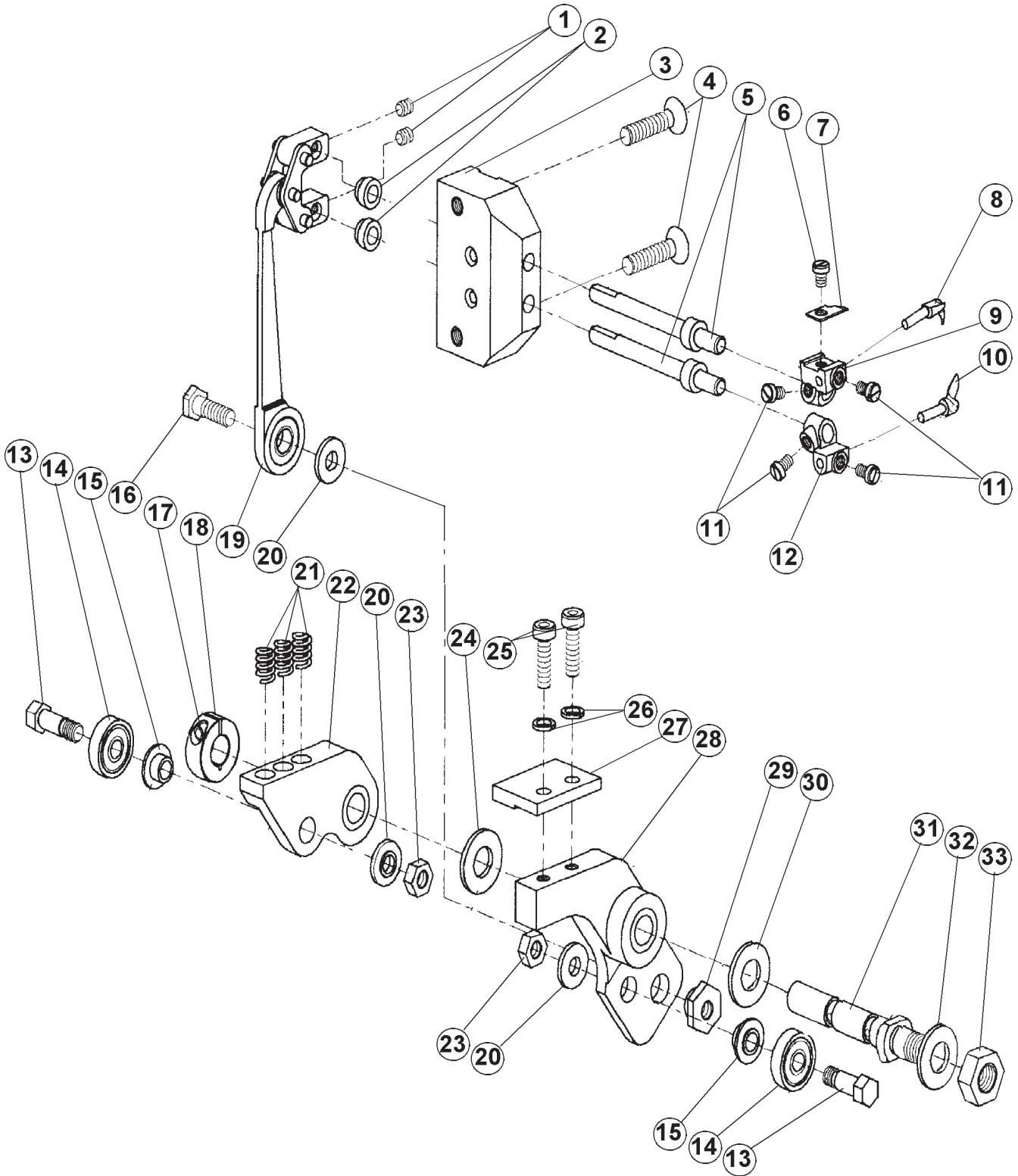


DET	PART NUMBER	DESCRIPTION	QTY.
01	08.6100.3.030	Screw M3 x 30	2
02	22.0114.0.000	Feed Brake Pressure Plate	1
03	22.0121.0.000	Slip Clutch Drive Washer	1
04	22.0354.0.000	Slip Clutch Feed Gear	1
05	24.0126.0.000	Friction Washer ●●●	1
06	22.0312.0.000	Slip Clutch Feed Shaft	1
07	22.0061.0.000	Clamp Plate Gear Rack Retainer	1
08	07.6440.0.033	Spring	2
09	24.0351.0.000	Feed Gear Assembly	1
10	24.0325.0.000	Feed Reversing Shaft	1
11	07.6440.0.041	Spring	1
12	07.6321.0.030	Bearing	(1)
13	08.6400.5.305	Set Screw M5 x 0,5 - 5	5
14	24.0049.0.000	Set Collar	2
15	08.6000.5.020	Screw M5 x 20	2
16	07.6045.0.037	Grooved Pin 3 x 16	2
17	22.0313.0.000	Feed Brake Pad ●●●	(1)
18	07.6440.0.050	Spring	1
19	07.6045.0.009	Pin 3 x 12	2
20	22.0309.0.000	Feed Brake ●	(1)
21	22.0184.0.000	Screw M5 x 8	3
22	22.0315.0.000	Feed Shaft Bracket ●●	1
23	07.6440.0.028	Spring	2
24	08.6733.3.000	Lock Nut M3	2
25	17.0019.2.057	Lockwasher	1
26	22.0208.0.000	Flat Washer	1
27	22.0186.0.000	Washer Dia. 5.2/17-0.2	1
28	08.6400.4.005	Set Screw M4 x 5	6
29	24.2035.0.000	Gear Cover	1
30	07.6045.0.034	E-Ring	1
31	22.0049.0.000	Feed Brake Mounting Block ●	1
32	08.6000.4.025	Screw M4 x 25	2
33	08.6400.5.005	Set Screw M5 x 5	1
34	22.0100.0.000	Shoulder Washer	4
35	22.0305.0.000	Feed Connecting Link ● ●●	1
36	22.0320.0.000	Feed Shaft Bearing Housing	1
37	17.0019.0.517	Washer	1
38	08.6000.3.010	Screw M3 x 10	1
39	22.0183.0.000	Collar Dia. 8	1
40	22.0026.0.000	L.H. Feed Cam Follower ● ●●	1
41	07.6440.0.018	Spring	2
42	24.0127.0.000	R.H. Feed Cam Follower ● ●●	1
43	08.6800.4.000	Lockwasher M4	2
44	22.0336.0.000	Feed Shaft	1
45	08.6000.4.014	Screw M4 x 14	2
46	24.0370.0.000	Feed Crank	1

FEED MECHANISM



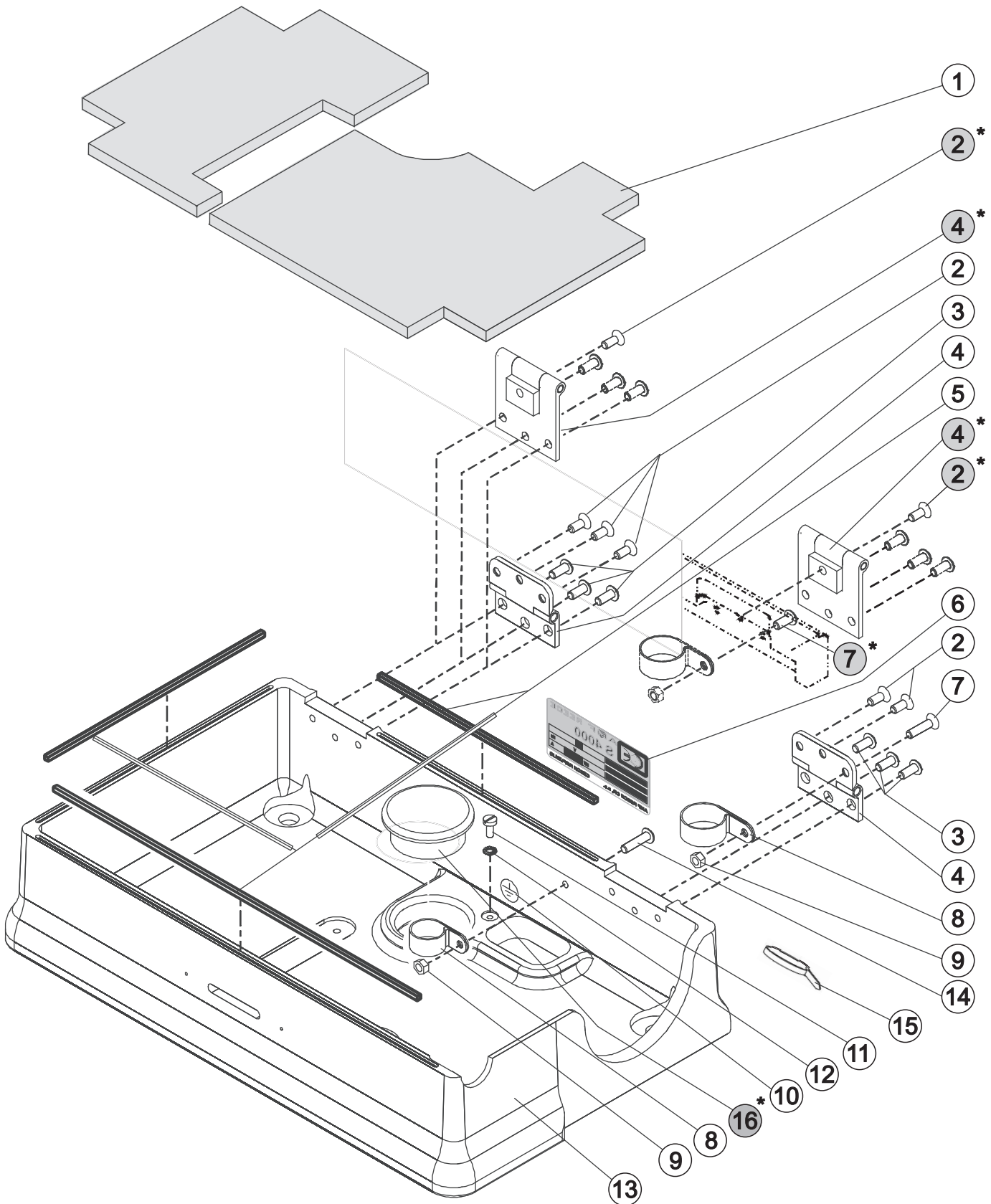
LOOPER MECHANISM



LOOPER MECHANISM

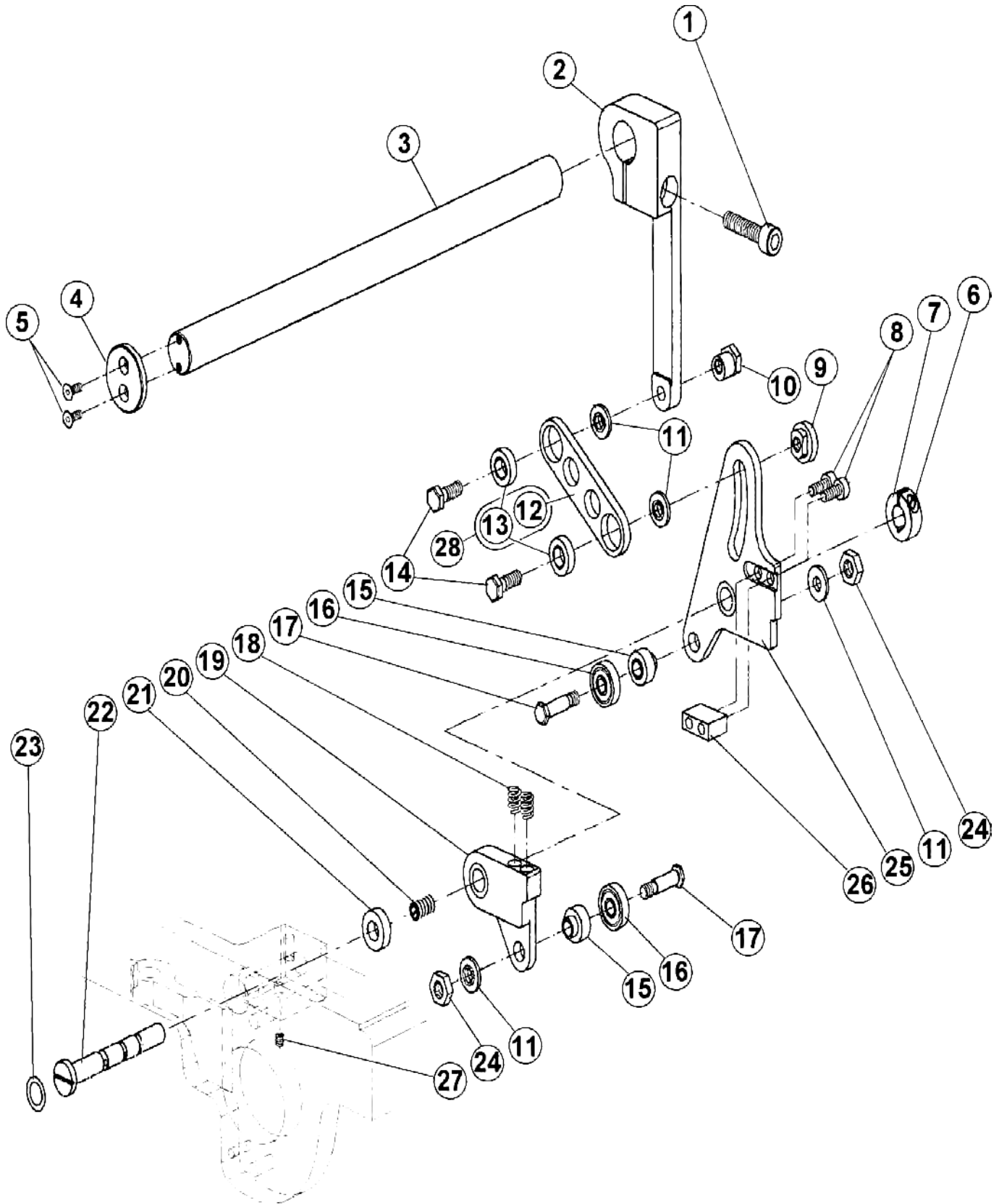
DET	PART NUMBER	DESCRIPTION	QTY.
01	08.6400.4.004	Set Screw M4 x 4	2
02	22.2442.0.000	Looper Spacer	2
03	24.2410.0.000	Looper Shaft Block	1
04	08.6100.5.020	Screw M5 x 20	2
05	22.2440.0.000	Looper Shaft	2
06	01.1382.0.000	Screw	1
07	20.0094.0.000	Trimmer Knife	1
08	24.2401.0.000	First Looper	1
09	23.2106.0.000	First Looper Holder	1
10	24.2402.0.000	Second Looper	1
11	01.1397.0.000	Screw	4
12	23.2107.0.000	Second Looper Holder	1
13	24.0066.0.000	Bearing Screw	2
14	12.2010.1.002	Cam Follower Bearing	2
15	22.0031.0.000	Bearing Spacer	2
16	22.0064.0.000	Bite Shoulder Screw	1
17	08.6000.3.010	Screw M3 x 10	1
18	22.0183.0.000	Collar	1
19	22.2425.0.050	Looper Link Assembly	1
20	22.0100.0.000	Shoulder Washer	3
21	07.6440.0.036	Spring	3
22	22.0024.0.000	Looper Cam Follower Plate ● ●●	1
23	08.6710.5.000	Hex Nut M5	2
24	22.0232.0.000	Flat Washer	1
25	08.6000.4.014	Screw M4 x 14	2
26	08.6800.4.000	Lockwasher M4	2
27	22.0021.0.000	Spring Retainer Block	1
28	24.0023.0.000	R.H. Looper Cam Follower Plate ● ●●	1
29	22.0105.0.000	Looper Eccentric Nut	1
30	22.0233.0.000	Flat Washer	1
31	22.0022.0.000	Pivot Shaft	1
32	08.6850.8.000	Flat Washer M8	1
33	08.6700.8.000	Hex Nut M8	1

BASE



●* — S4000 ISBH Embedded Machine

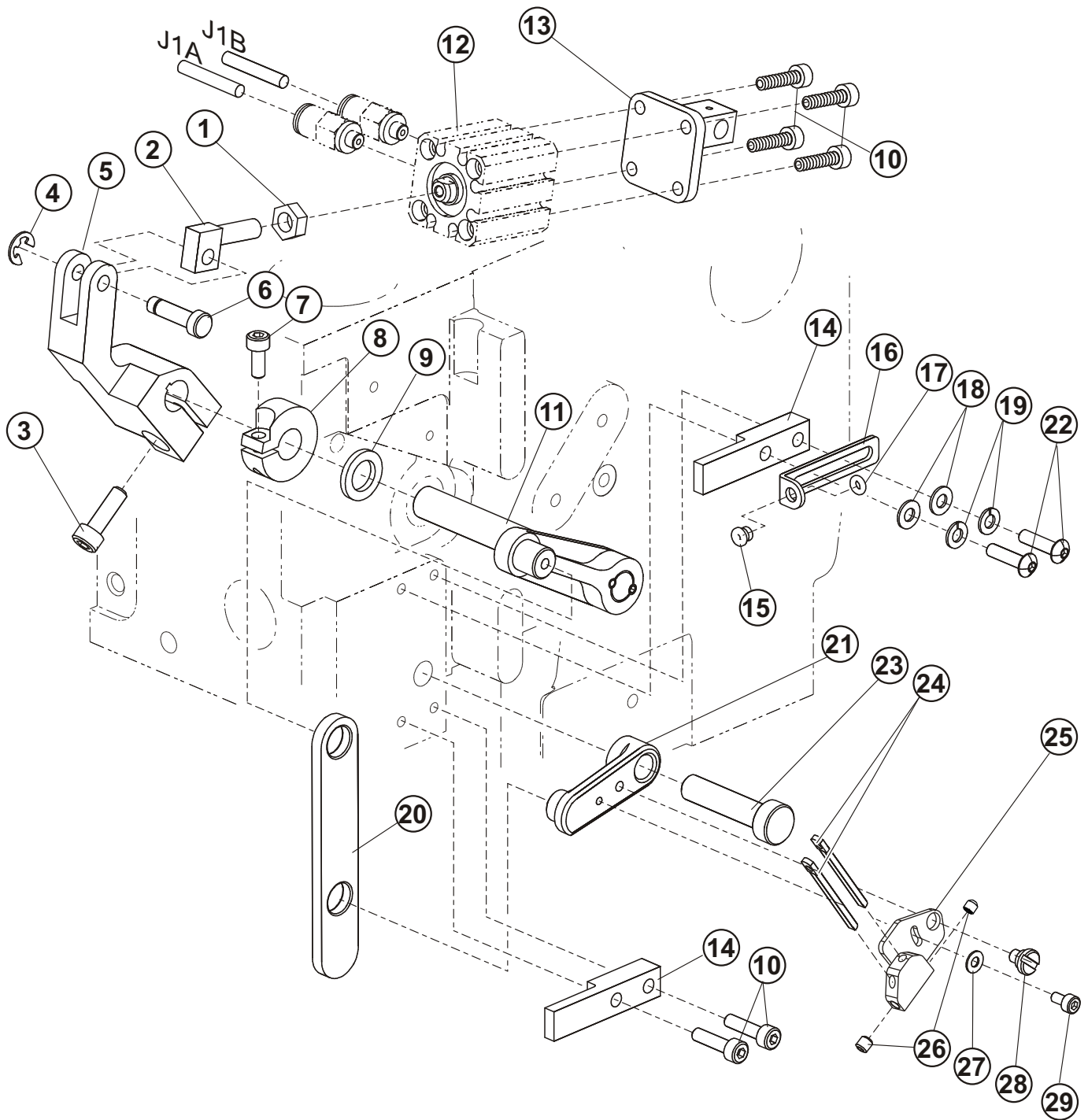
BITE MECHANISM



BITE MECHANISM

DET	PART NUMBER	DESCRIPTION	QTY.
01	08.6000.6.025	Screw M6 x 25	1
02	22.0008.0.000	Bite Lever ●	1
03	24.0055.0.000	Bite Shaft	1
04	22.0063.0.000	Bite Shaft Retainer	1
05	08.6100.3.008	Screw M3 x 8	2
06	08.6000.3.010	Screw M3 x 10	1
07	22.0183.0.000	Collar*Dia. 8	1
08	08.6000.4.014	Screw M4 x 14	2
09	22.0110.0.000	Shoulder Nut M5	1
10	22.0214.0.000	Eccentric Nut M5	1
11	22.0100.0.000	Shoulder Washer	4
12	22.0009.0.000	Bite Adjusting Link ●	(1)
13	07.6321.0.029	Bearing	(2)
14	22.0064.0.000	Bite Shoulder Screw	2
15	22.0029.0.000	Bite Follower Bearing Spacer	2
16	07.6321.0.025	Bearing	2
17	22.0028.0.000	Bite Follower Bearing Screw	2
18	07.6440.0.028	Spring	2
19	22.0027.0.000	Right Cam Follower ● ●●	1
20	08.6400.4.005	Set Screw M4 x 5	1
21	22.0069.0.000	Bite Follower Spacer	1
22	22.0020.0.000	Bite Pivot Shaft	1
23	12.0008.6.800	Rubber Ring ●●●	1
24	08.6700.5.000	Hex Nut M5	2
25	24.0033.0.000	Left Cam Follower ● ●●	1
26	22.0030.0.000	Bite Follower Spring Retainer	1
27	08.6400.4.004	Screw M4x4	1
28	22.0009.0.050	Bite Adjusting Link Assembly	1

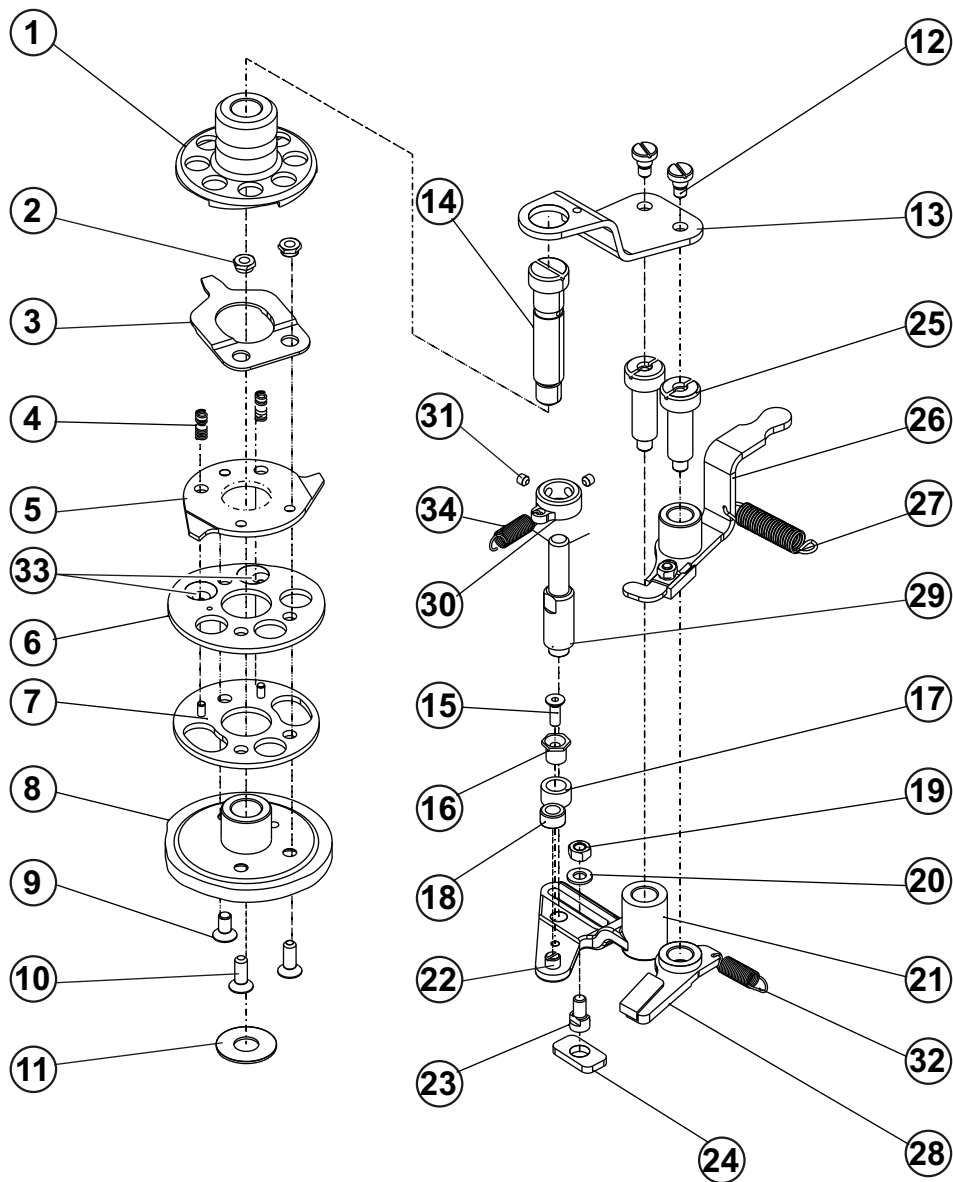
THREAD DRAW - OFF MECHANISM



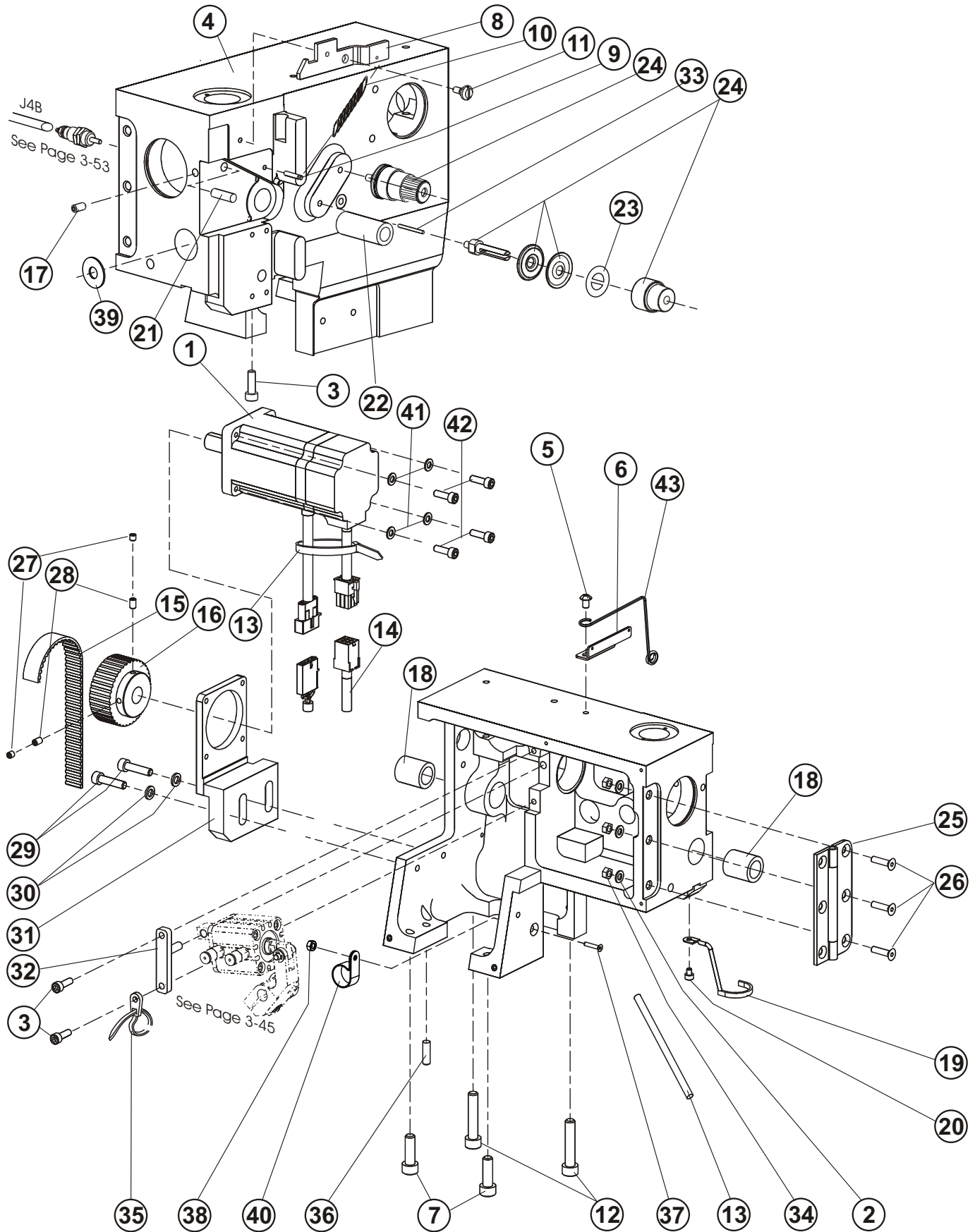
THREAD DRAW - OFF MECHANISM

DET	PART NUMBER	DESCRIPTION	QTY.
01	08.6710.6.000	Nut M6	1
02	24.0037.0.000	Cylinder Clevis	1
03	08.6000.5.016	Screw M5 x 16	1
04	07.6045.0.042	E-Clip	1
05	24.0011.0.000	Knife Drive Lever	1
06	24.0014.0.000	Pivot	1
07	08.6000.4.010	Screw M4 x 10	1
08	24.0010.0.000	Clamp Collar	1
09	24.0009.0.000	Washer	1
10	08.6000.4.016	Screw M4 x 16	6
11	22.1415.0.050	Knife Lever Assembly	1
12	See Page 3-45	Thread Draw-Off Cylinder	—
13	24.0039.1.000	Thread Draw-Off Bracket	1
14	22.1436.0.000	Drive Plate Retainer	2
15	01.7447.1.000	Porcelain Guide ●●●	1
16	22.0046.0.000	Thread Guide Bracket	1
17	01.6551.0.000	Retaining Ring ●●●	1
18	08.6850.4.000	Flat Washer M4	2
19	08.6800.4.000	Lockwasher M4	2
20	24.1430.1.000	Drive Plate	1
21	24.0062.0.000	Knife Guide Link	1
22	08.6200.4.016	Screw M4 x 16	2
23	22.0161.0.000	Pivot Eccentric	1
24	22.0091.0.000	Thread Take-Up	2
25	24.0063.1.000	Thread Draw-Off	1
26	08.6400.4.004	Set Screw M4 x 4	2
27	08.6850.3.000	Washer M3	1
28	24.0061.0.000	Shoulder Screw	1
29	08.6000.3.006	Screw M3 x 6	1

MAIN CAM



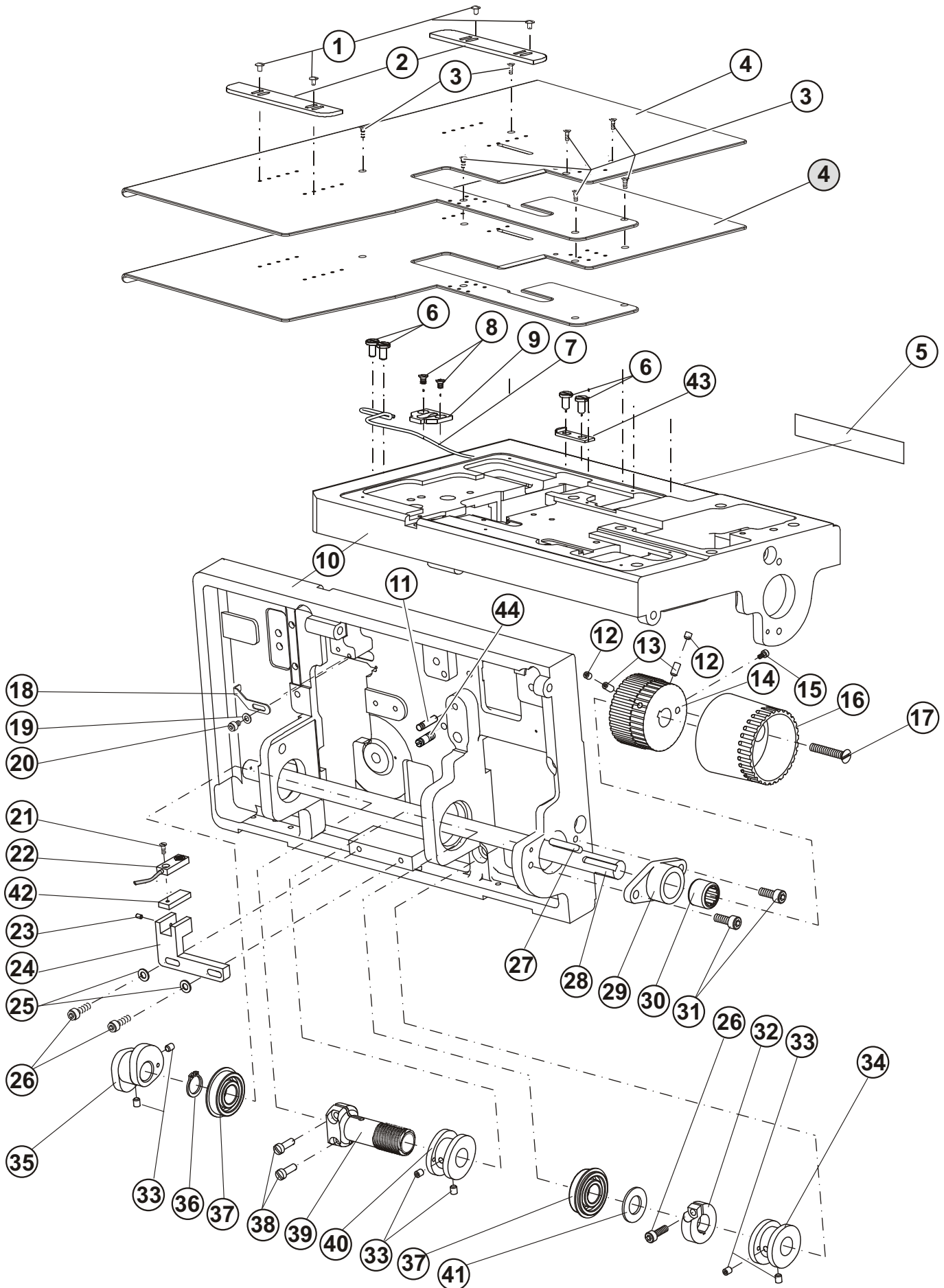
HEAD ASSEMBLY



HEAD ASSEMBLY

DET	PART NUMBER	DESCRIPTION	QTY.
01	See Page 3-37	Servomotor	—
02	08.6850.5.000	Washer M5	3
03	08.6000.5.016	Screw M5 x 16	4
04	24.6000.5.000	Head	1
05	08.6200.5.008	Screw M5 x 8	1
06	22.0054.0.000	Upper Thread Guide	1
07	08.6000.8.025	Screw M8 x 25	2
08	22.0058.0.000	Sewing Head Latch	1
09	07.6045.0.037	Grooved Pin 3 x 16	1
10	07.6440.0.051	Latch Tension Spring	1
11	22.0062.0.000	Screw M4 x 3	1
12	08.6000.8.040	Screw M8x40	2
13	12.0008.4.072	Cable Tie ●●●	10
14	See Page 3-37	Encoder Cable	—
15	12.5050.2.009	Belt ●●●	1
16	24.0108.0.000	Motor Pulley ●	1
17	08.6400.5.010	Screw M5 x 10	1
18	01.7806.0.000	Oilite Bushing ●●	2
19	24.0044.0.000	Needle Guard	1
20	08.6000.4.005	Screw M4 x 5	1
21	07.6045.0.053	Pin 6 x 20	1
22	22.1422.0.000	Knife Shaft Bushing	1
23	17.0082.8.082	Release Washer	1
24	24.0119.0.050	Large Tension Assembly ●●●	2
25	22.6002.0.000	Head Hinge Assembly	1
26	08.6100.5.020	Screw M5 x 20	3
27	08.6400.5.005	Set Screw M5 x 5	2
28	08.6400.5.008	Set Screw M5 x 8	2
29	08.6000.6.025	Screw M6 x 25	2
30	08.6850.6.000	Washer M6	2
31	24.0167.0.000	Motor Bracket	1
32	24.0016.0.000	Cylinder Pivot Stud Assembly	1
33	12.1010.2.003	Pin 2 x 24	1
34	08.6700.5.000	M5 Nut	3
35	12.0008.4.598	Plastic Cable Fitting ●●●	1
36	12.1011.0.001	Pin 6 x 20	1
37	08.6100.5.020	Screw M5 x 20	1
38	08.6700.5.000	Nut M5	1
39	24.0546.0.000	Washer	1
40	12.0008.4.100	Clamp ●●●	1
41	08.6850.4.000	Washer M4	4
42	08.6000.4.016	Screw M4x16	4
43	24.0123.0.000	Thread Guide	1

BEDPLATE

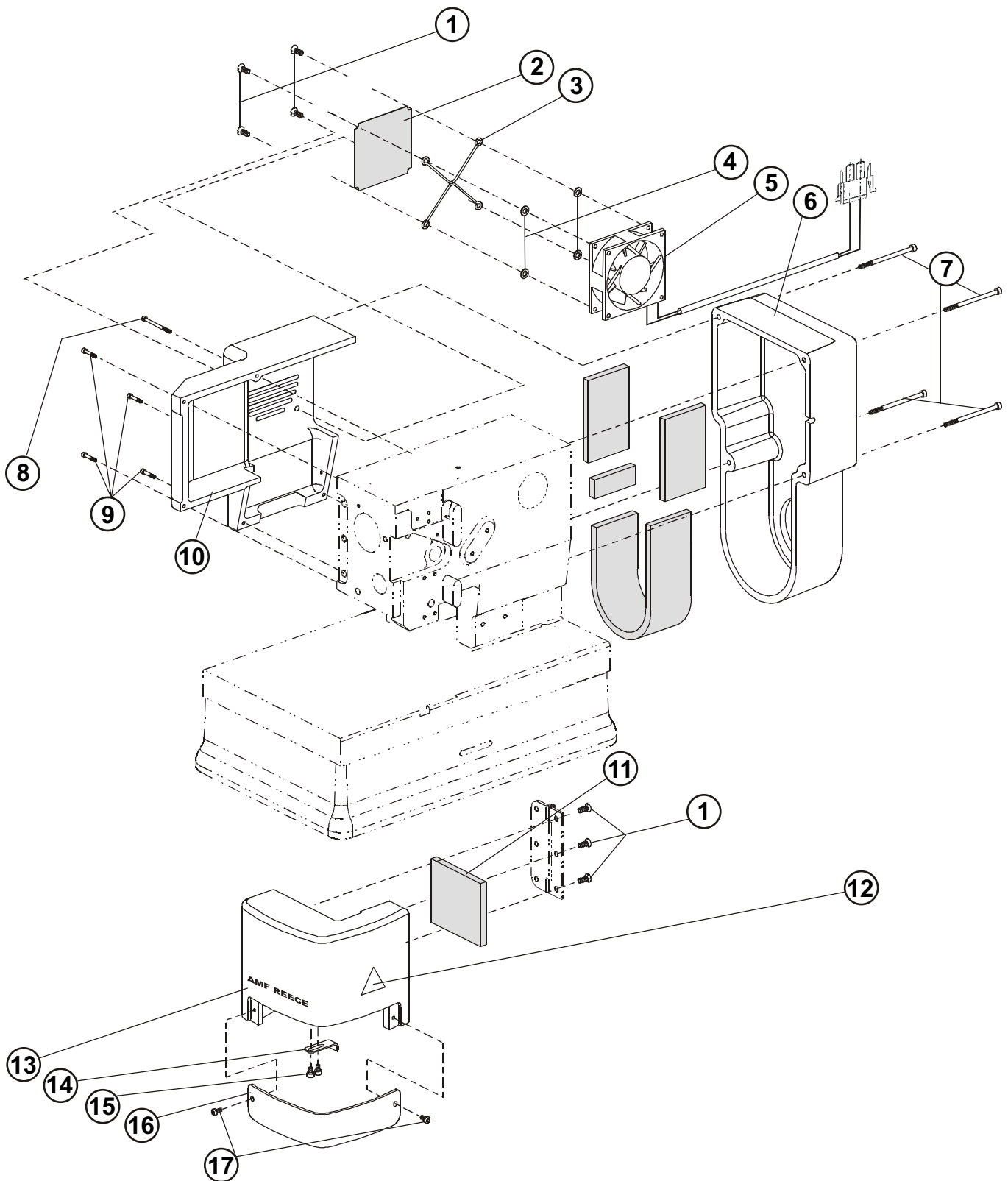


BEDPLATE

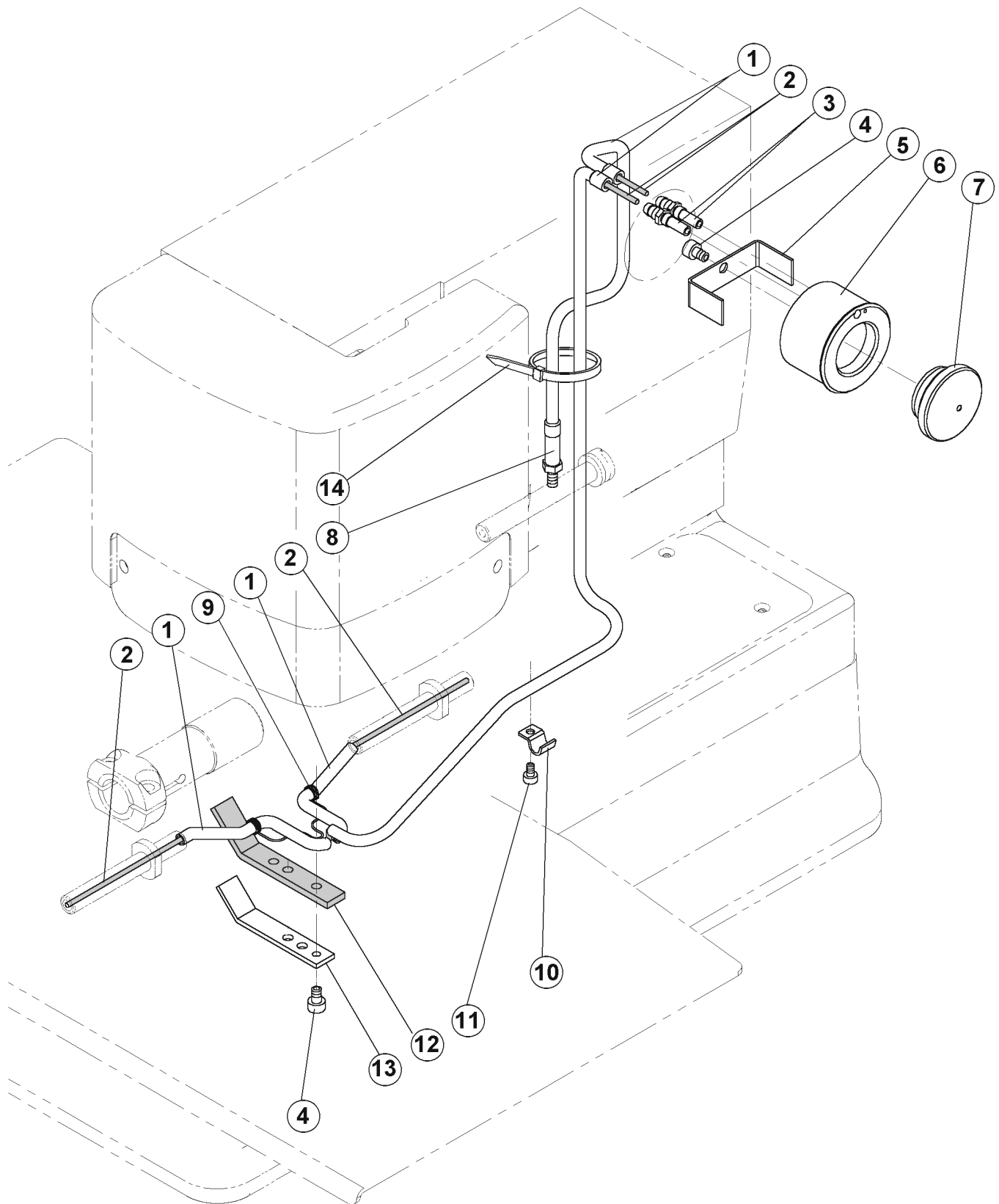
DET	PART NUMBER	DESCRIPTION	QTY.
01	22.3068.0.000	Screw (Only ISBH+I model)	4
02	24.3054.0.000	Material Guide	2
03	08.6120.3.008	Screw M3 x 8	7
04	24.3055.1.000	Cover Plate - Straight	1
04	24.3055.4.000	Cover Plate - Angle	1
05	05.1394.0.000	AMF Reece Label - small ●●●	1
06	22.0143.0.000	Screw	4
07	24.0122.0.000	Clamp Side Spring	1
08	08.6100.4.006	Screw M4 x 6	2
09	22.0408.1.000	Trimmer Cover Plate	1
10	24.6100.1.000	Bedplate ISBH	1
11	07.6045.0.054	Pin 5 x 20	1
12	08.6400.5.005	Set Screw M5 x 5	2
13	08.6400.5.010	M5 x 10 Set Screw	2
14	24.0018.0.000	Main Shaft Drive Pulley ●	1
15	08.6000.3.006	Screw M3 x 6	1
16	24.0051.0.066	Hand Wheel ●	1
17	08.6100.6.035	Screw M6 x 35	1
18	22.3219.0.000	Needle Guard	1
19	08.6850.4.000	Washer M4	1
20	08.6000.4.006	Screw M4 x 6	1
21	08.6100.3.008	Screw M3 x 8	1
22	See Page 3-37	End of Cycle Sensor with Cable ●●●	—
23	08.6400.3.004	Set Screw M3 x 4	1
24	24.0020.0.000	End of Cycle Sensor Bracket	1
25	08.6850.5.000	Washer M5	2
26	08.6000.5.016	Screw M5 x 16	3
27	12.4030.0.002	Key 5x5x30	1
28	24.1000.0.000	Main Shaft	1
29	24.0019.0.000	Bearing Carrier Lower Shaft	1
30	12.2050.0.005	Bearing	1
31	08.6000.6.016	Screw M6 x 16	2
32	24.0002.0.000	Clamp Collar	1
33	08.6400.5.305	Set Screw M5 x 0.5-5	6
34	22.0006.0.000	Bite Cam	1
35	24.2400.0.000	Looper Cam	1
36	12.1045.2.001	Retaining Ring	1
37	01.7805.0.000	Shaft Bearing	2
38	22.0153.0.000	Screw	2
39	22.8400.0.000	Shaft Worm Gear	1
40	22.0300.0.000	Feed Cam	1
41	22.0545.0.000	Washer	1
42	24.0027.0.000	Sensor Mounting Plate	1
43	22.0115.0.000	Stop	1
44	24.4091.0.000	Stud	1

Modification — S4001 ISBH Embedded Machine

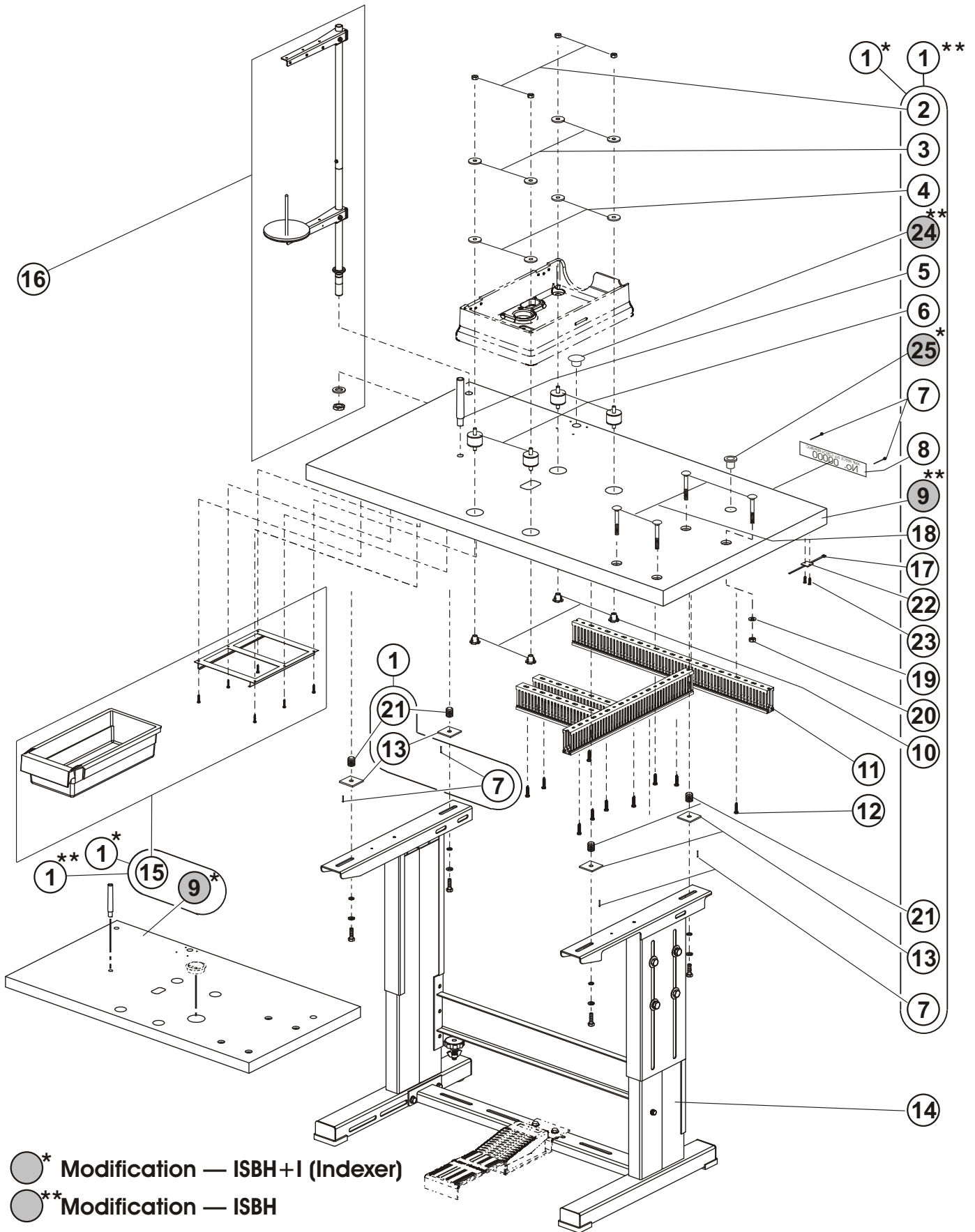
COVERS



LUBRICATION



TABLE



- * Modification — ISBH+I (Indexer)
- ** Modification — ISBH

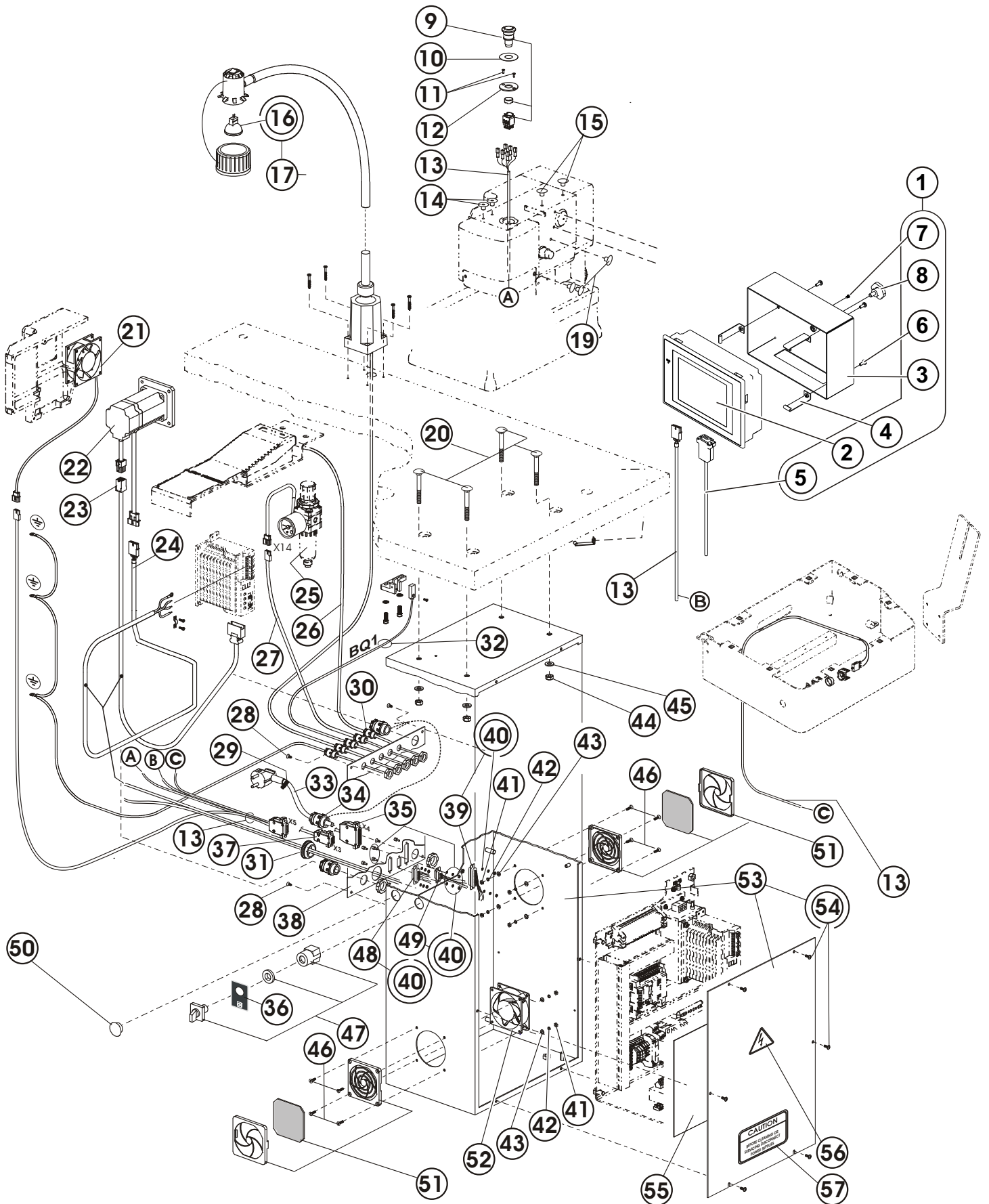
TABLE

DET	PART NUMBER	DESCRIPTION	QTY.
01**	24.0142.0.050	Table Assembly ISBH	1
01*	04.9024.0.003	Table Assembly ISBH+I	1
02	08.6700.8.000	M8 Nut	(4)
03	17.0019.0.441	Washer	(4)
04	17.0095.1.272	Washer ●●●	(4)
05	12.0008.6.900	Machine Rest Table Pin	(1)
06	12.0008.6.801	Rubber Spring ●●●	(4)
07	12.1016.1.000	Nail ●●●	(6)
08	04.1416.0.003	Label "No. xxxx" ●	(1)
09**	24.0142.0.000	Table ●●●	(1)
09*	04.9024.0.901	Table ISBH+I ●●●	(1)
10	08.6742.8.000	M8 Nut	(4)
11	24.0069.9.063	Wire Raceway Kit ●●●	1
12	08.6663.5.025	Screw 4,8 - 25	10
13	17.0094.0.200	Washer ●●●	(4)
14	04.9000.2.123	Frame Kit	1
15	12.0008.6.901	Drawer Kit ●●●	(1)
16	24.0219.0.000	Thread Stand	1
17	12.0008.3.023	Ty-wrap ●●●	(1)
18	08.6532.8.050	Screw M8x50	(4)
19	08.6852.8.000	Washer	(4)
20	08.6702.8.000	Nut	(4)
21	08.6752.8.000	Nut	(4)
22	12.0008.4.058	Clip	(1)
23	08.6652.3.016	Screw 3 x 16	(2)
24**	12.0008.4.777	Plug ●●●	1**
25*	84.0005.7.135	Slide Bearing (OMRON)	(1)

* Modification — ISBH+I (Indexer)

** Modification — ISBH

ELECTRICAL (ISBH+I) - I

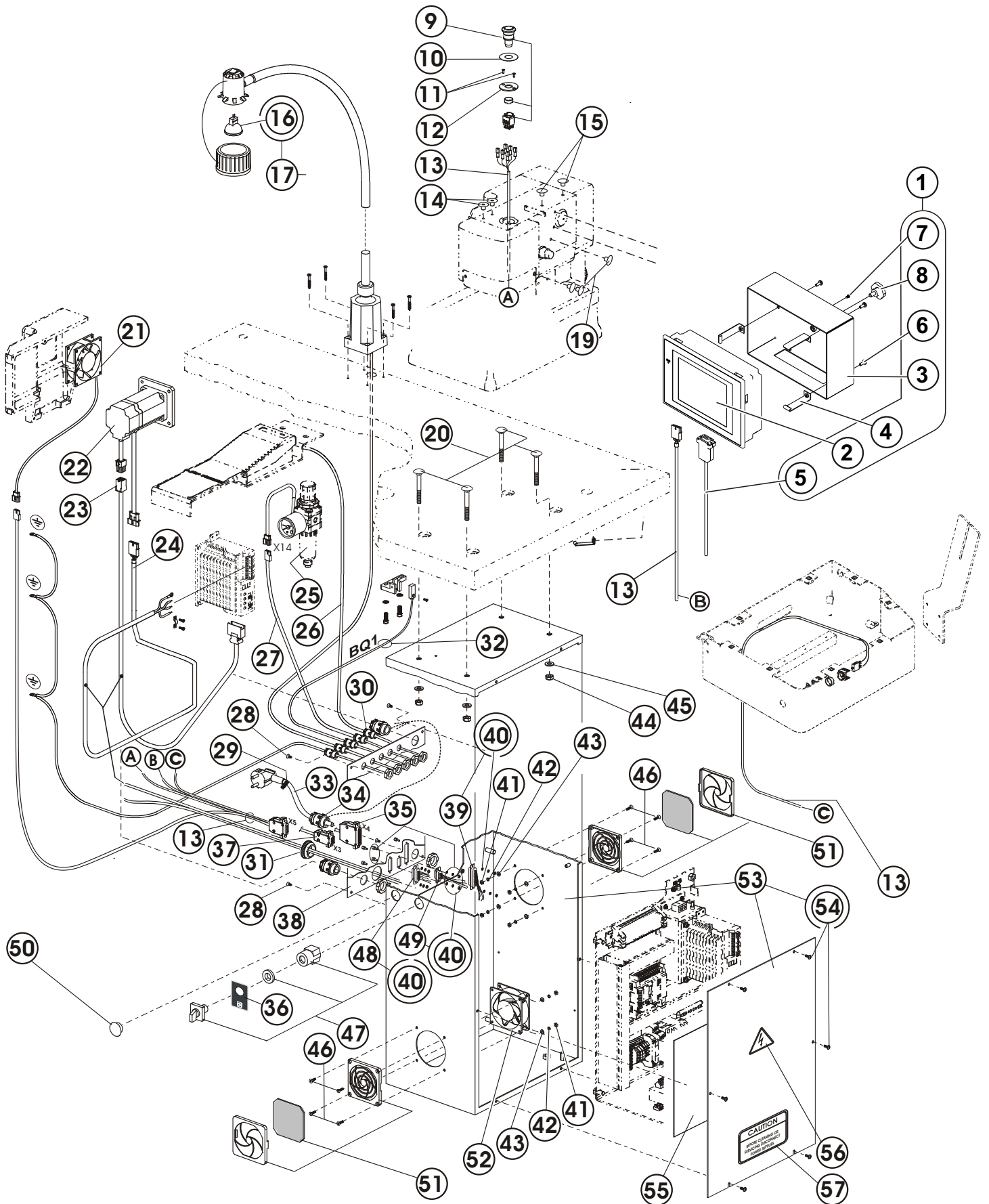


ELECTRICAL (ISBH+I) - I

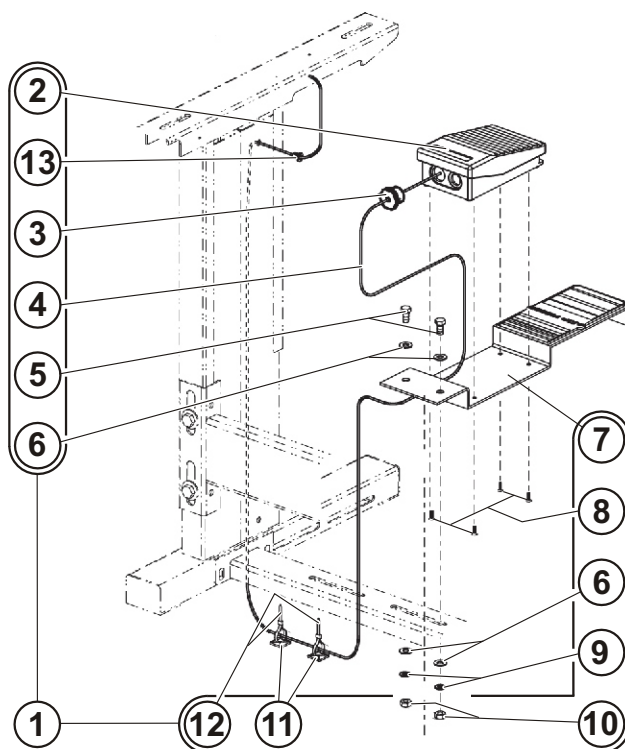


DET	PART NUMBER	DESCRIPTION	QTY.
01	03.5524.0.040	Panel Kit OMRON ISBH + I	1
02	24.8001.2.013	TOUCH SCREEN-OMRON ●●●	(1)
03	24.0169.0.000	PANEL COVER - OMRON	(1)
04	24.0168.0.000	DISPLAY HOLDER - OMRON	(3)
05	06.2400.0.002	CABLE DISPLAY NT5	(1)
06	08.6032.4.010	SCREW M4-10	(3)
07	08.6662.3.006	SCREW	(1)
08	19.0014.7.003	SCREW-PANEL ●●●	(1)
09	12.0008.4.563	Emergency Stop Button ●●●	1
10	12.8000.0.047	Label ●●●	1
11	08.6102.3.008	Screw	2
12	24.0148.0.000	Emergency Stop Cover	1
13	06.2400.0.901	Cable X5	1
14	08.6215.4.006	Screw ●●●	2
15	12.0008.4.570	Plug ●●●	(4)
16	12.0008.4.679	Bulb 12V/12W ●●●	(1)
17	12.0008.4.403	Halogen Lamp Kit 12 V Assembly ●●●	1
19	12.0010.4.094	Plug ●●●	3
20	See Page 3-34	Screw M8 x 55	—
21	24.0059.9.069	Fan ●●●	1
22	12.0010.4.177	Servomotor OMRON ● ● ● ●●	1
23	12.0010.4.253	Encoder Cable	1
24	12.0010.4.254	Motor Power Cable	1
25	See Page 3-44	Pressure Gauge	—
26	See Page 3-40	Foot Cable	—
27	06.2400.0.008	Cable X14	1
28	08.6100.4.010	Screw	4
29	12.8000.0.112	Label Cable 230V 1PH ●●●	1
30	12.0008.4.207	Bushing PG7 ●●●	5
31	12.0008.4.366	Plug PG 29 ●●●	1
32	06.2400.0.009	End of Cycle Sensor BQ1 ●● ●●●	2
33	12.0008.4.885	Cable Flexo	1
34	12.0008.4.231	Bushing PG13,5 ●●●	1
35	06.2400.0.904	Cable X4 Indexer	1
36	12.8000.0.040	Label (Main Switch)	1
37	12.0008.3.604	Cable X3 Valve	1
38	04.9024.0.653	Connectors Plate ISBH+I	1
39	06.2400.0.902	Cable X5A	1
40	12.0008.4.710	Screw Kit	(3)
41	08.6702.4.000	Nut M4	8
42	08.6802.4.000	Washer	8
43	08.6852.4.000	Washer	8
44	See Page 3-34	Nut	—
45	See Page 3-34	Washer	—
46	08.6100.4.020	Screw	8

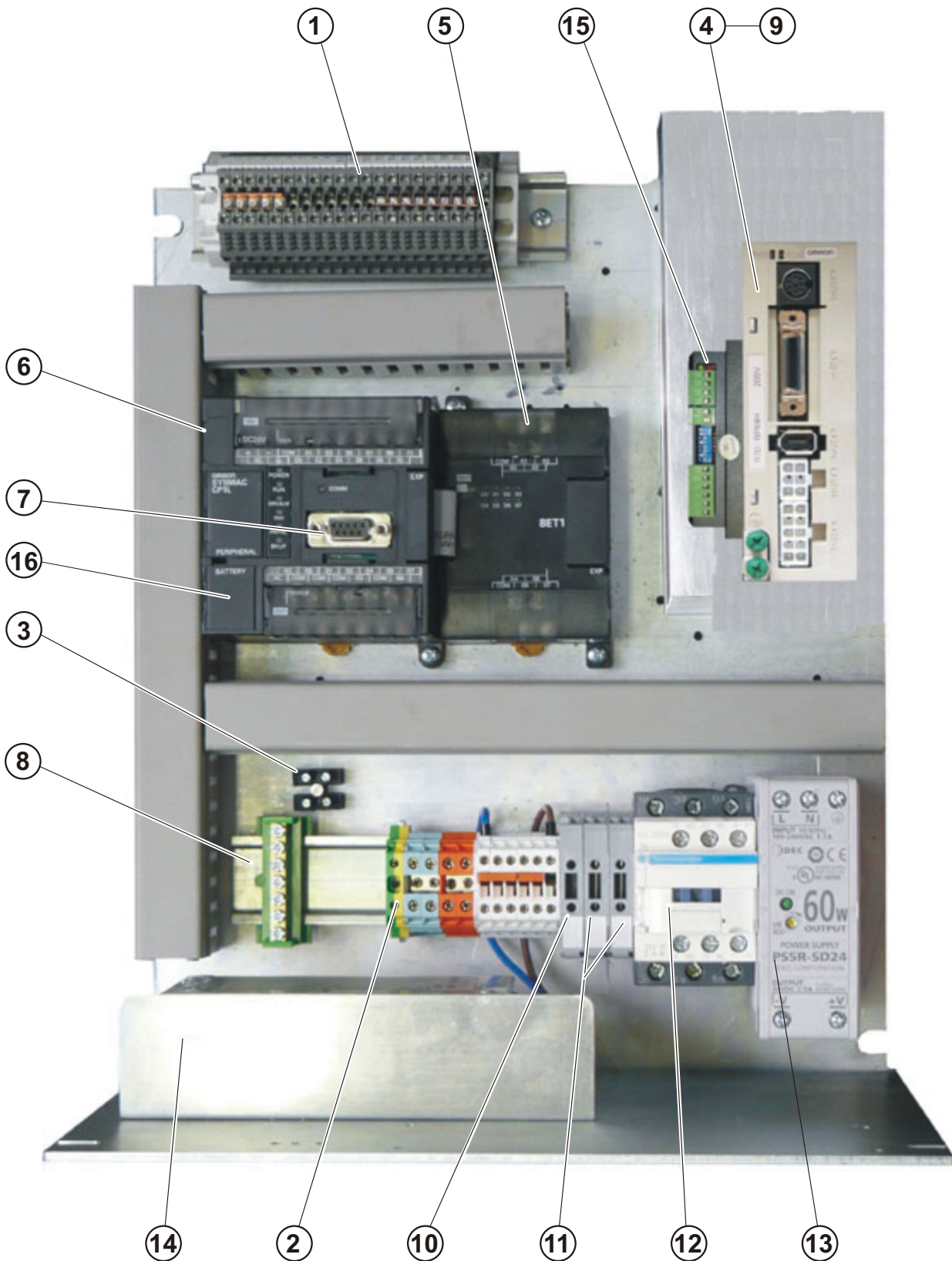
ELECTRICAL (ISBH+I) - I



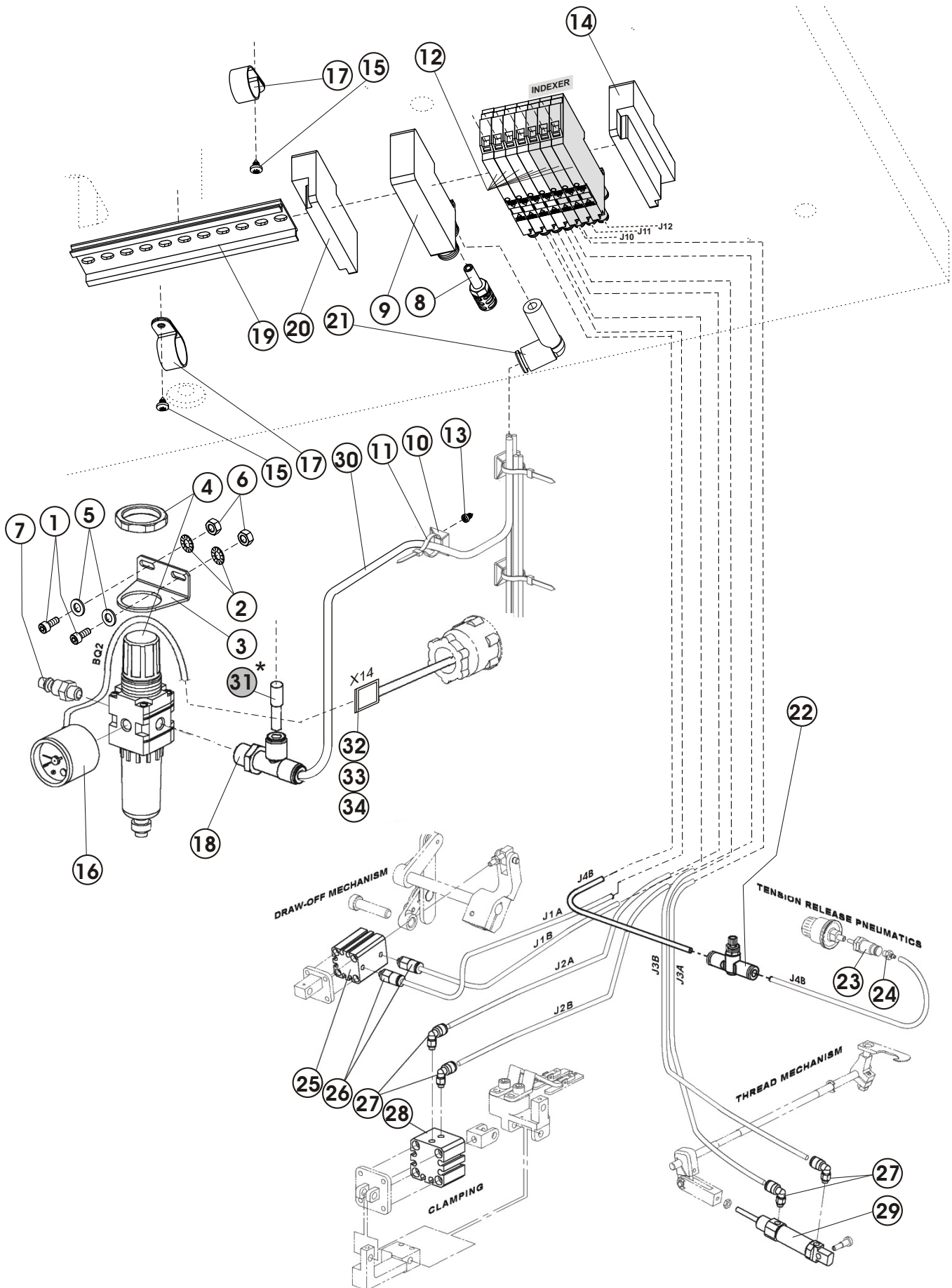
ELECTRICAL II



ELECTRICAL III



PNEUMATICS



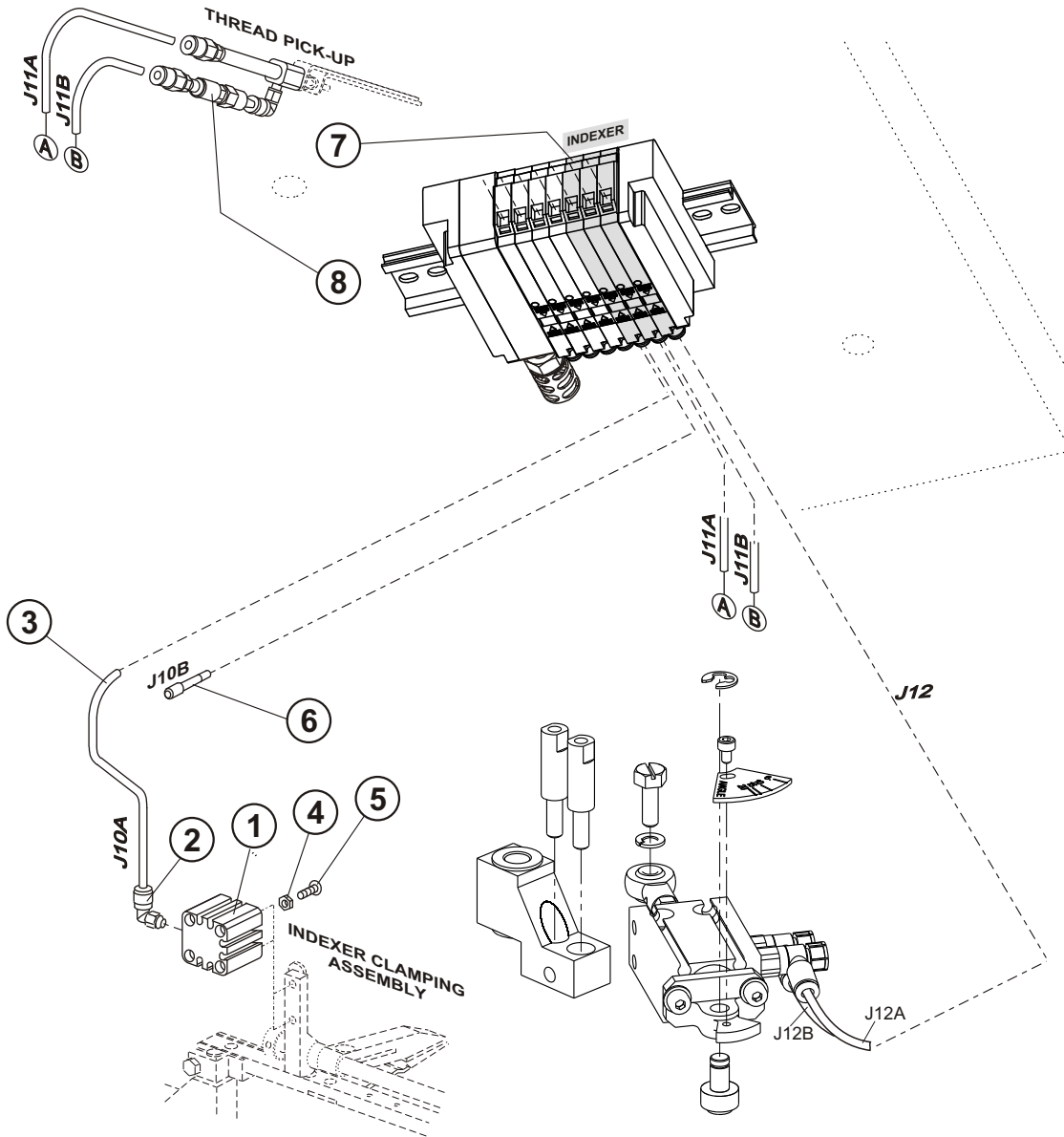
PNEUMATICS

DET	PART NUMBER	DESCRIPTION	QTY.
01	08.6000.5.012	Screw M5x12	2
02	08.6832.5.000	Washer M5	2
03	12.0008.3.659	Regulator Holder	1
04	12.0008.3.753	Regulator	1
05	08.6850.5.000	Washer M5	2
06	08.6700.5.000	Nut M5	2
07	12.0008.3.420	Connector	1
08	12.0010.3.030	Silencer	1
09	12.0008.3.829	Air Supply Block Assembly	1
10	12.0008.4.058	Clip ●●●	3
11	12.0008.3.023	Ty-wrap ●●●	3
12	12.0008.3.828	Pneumatic Valve	7
13	08.6662.3.006	Screw	2
14	12.0008.3.830	Rail Stopper	1
15	08.6683.4.007	Screw	2
16	12.0008.3.418	Pressure Gauge	1
17	12.0008.4.280	Clamp	2
18	12.0010.3.031	Connector	1
19	12.0008.3.832	DIN Rail	1
20	12.0008.3.831	Rail Stopper	1
21	12.0010.3.031	Connector ●●●	1
22	12.0010.3.029	Speed Controller ●●●	1
23	12.0008.3.413	Cylinder	1
24	12.0010.3.027	Connector	1
25	12.0008.3.433	Knife Cylinder	1
26	12.0010.3.027	Connector	2
27	12.0010.3.028	Connector ●●●	4
28	12.0008.3.412	Clamp Cylinder ●	1
29	24.0050.0.000	Trimmer Cylinder	1
30	24.0117.1.000	Air Tubing Kit ●●●	1
31*	12.0008.3.437	Plug	1
32	12.0008.4.280	Cord Clam	1
33	08.6852.4.000	Washer M4	1
34	08.6683.4.007	Screw M4x7	1

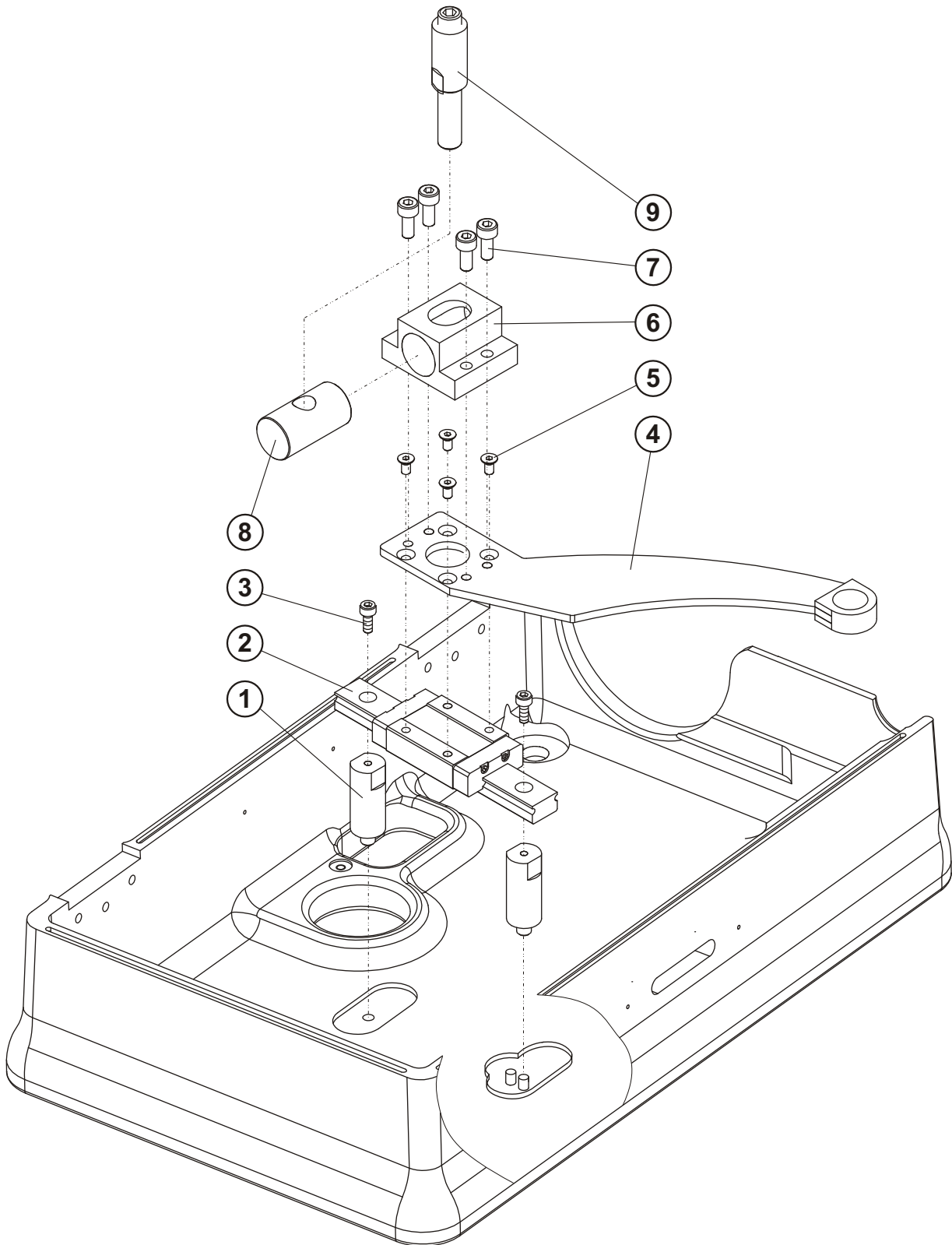
*

Modification — ISBH

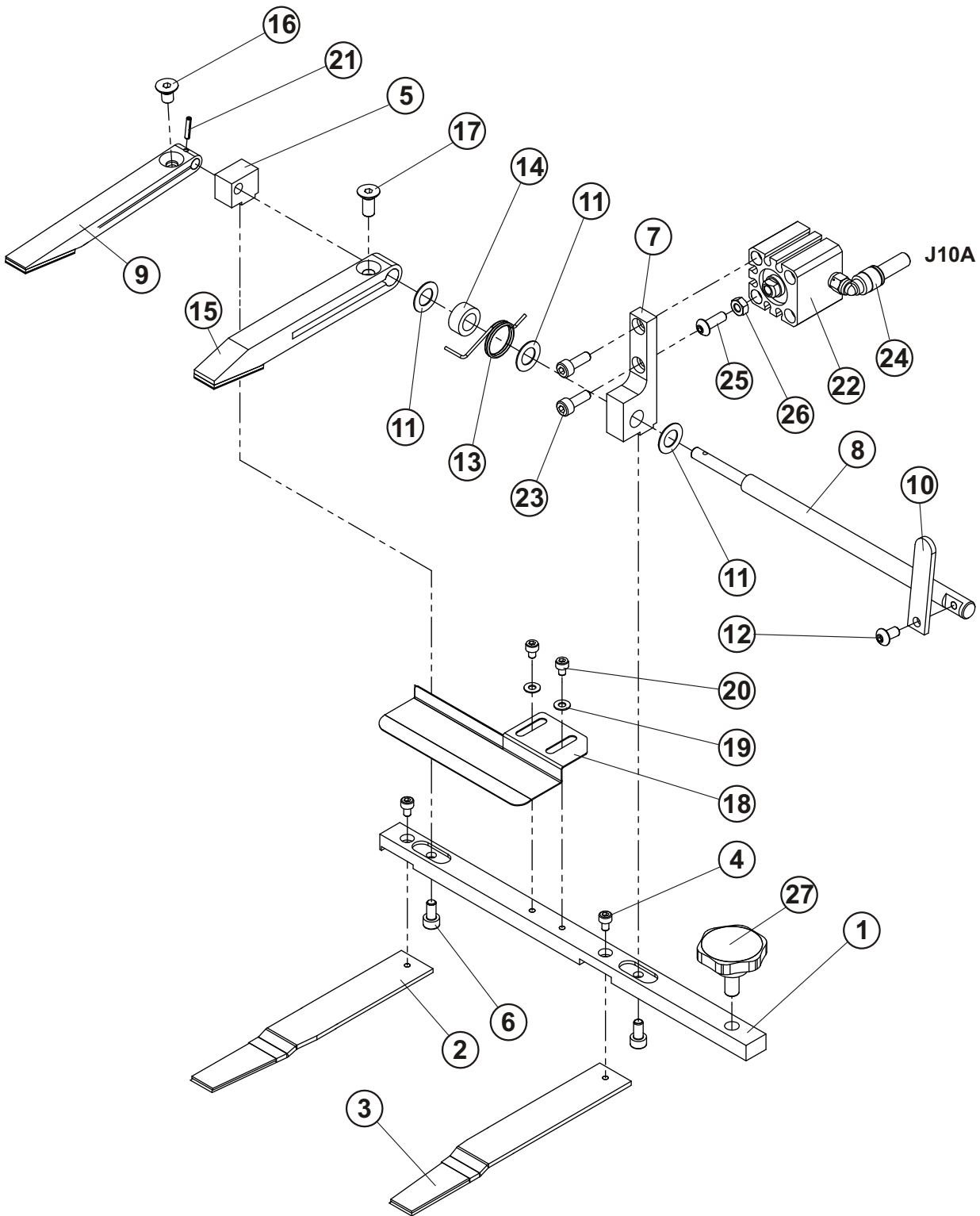
PNEUMATICS INDEXER



INDEXER LINEAR GUIDE



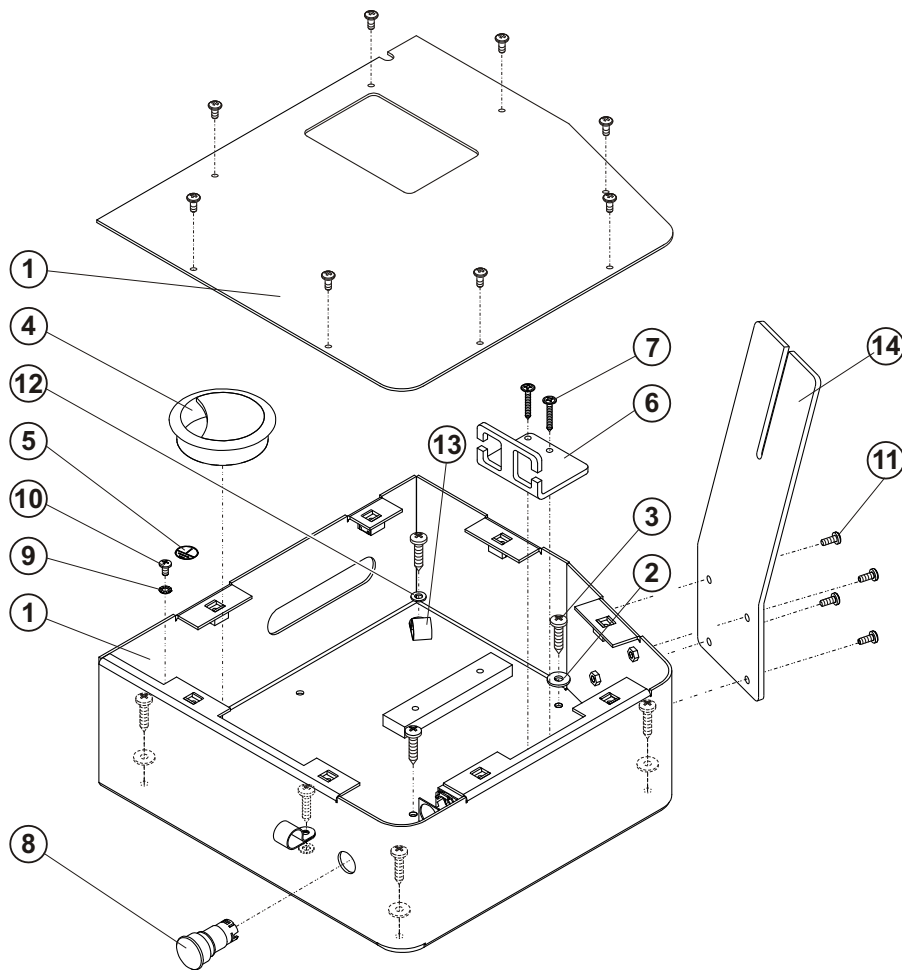
INDEXER CLAMPING ASSEMBLY



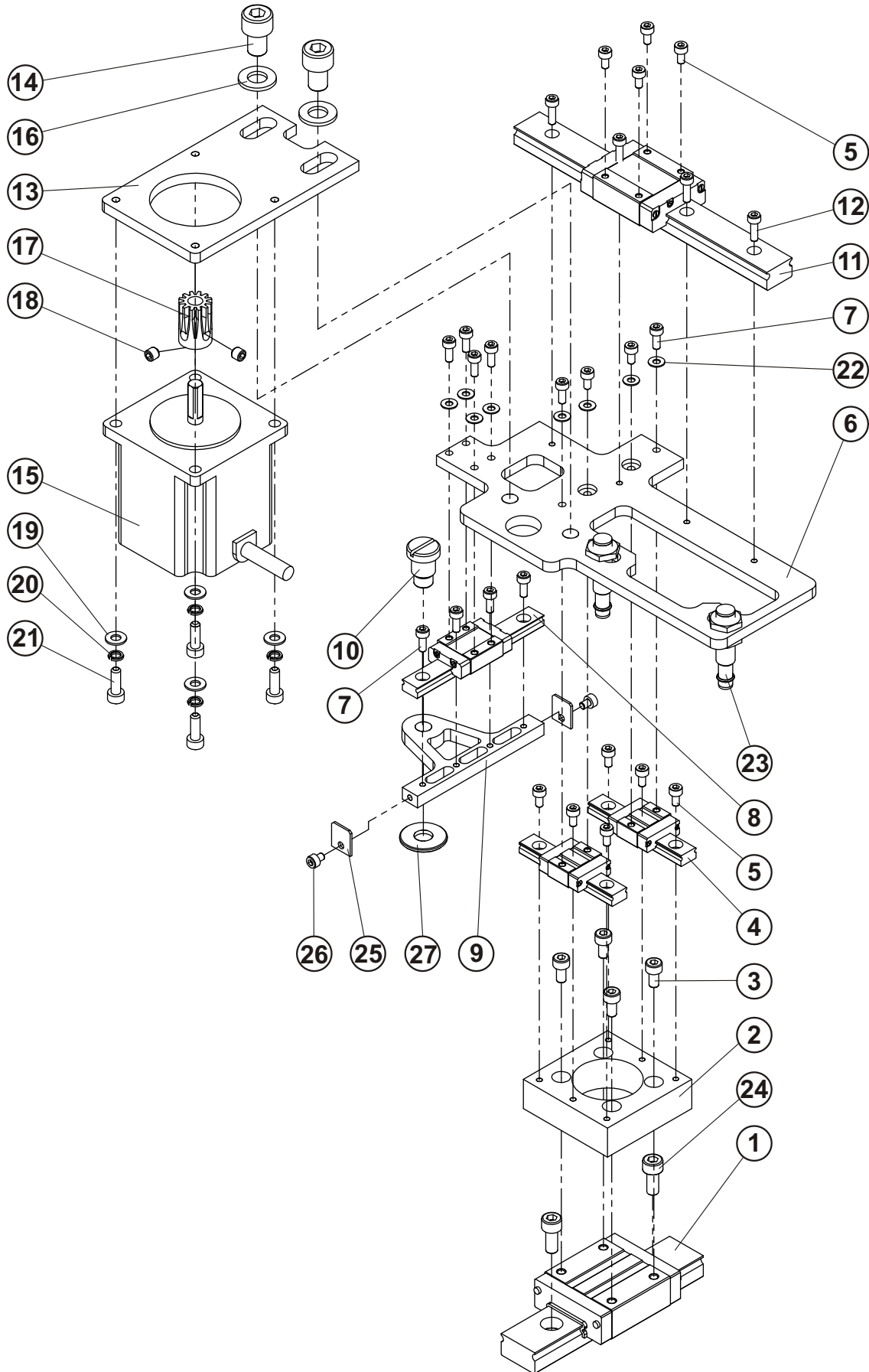
INDEXER CLAMPING ASSEMBLY

DET	PART NUMBER	DESCRIPTION	QTY.
01	24.4005.1.000	Clamp Rail	1
02	24.4006.1.000	Clamping Mat Left	1
03	24.4007.1.000	Clamping Mat Right	1
04	08.6000.3.005	Screw M3-5	2
05	24.4016.0.000	Holder Cylinder ●	1
06	08.6000.4.008	Screw M4-8	2
07	24.4013.0.000	Holder Cylinder ●	1
08	24.4009.0.000	Shaft	1
09	24.4017.1.000	Clamp Foot Left ● ●●	1
10	24.4011.0.000	Clamping Lever	1
11	08.6887.8.000	Washer	3
12	08.6200.4.008	Screw M4-8	1
13	24.4010.0.000	Spring	1
14	24.4014.0.000	Bushing ●●●	1
15	24.4015.1.000	Clamp Foot Right ● ●●	1
16	08.6100.5.008	Screw M5-8	1
17	08.6100.5.012	Screw M5-12	1
18	24.4008.0.000	Material Guide	1
19	08.6850.3.000	Washer 3,2	2
20	08.6000.3.004	Screw M3-4	2
21	12.1014.0.004	Pin 2x8	1
22	12.0008.3.498	Cylinder ● ●●	1
23	08.6000.4.012	Screw M4-12	2
24	12.0008.3.411	Connector ●● ●●●	1
25	08.6200.4.010	Screw M4-10	1
26	08.6700.4.000	Nut M4	1
27	24.4019.0.000	Screw ●●●	1

INDEXER ASSEMBLY



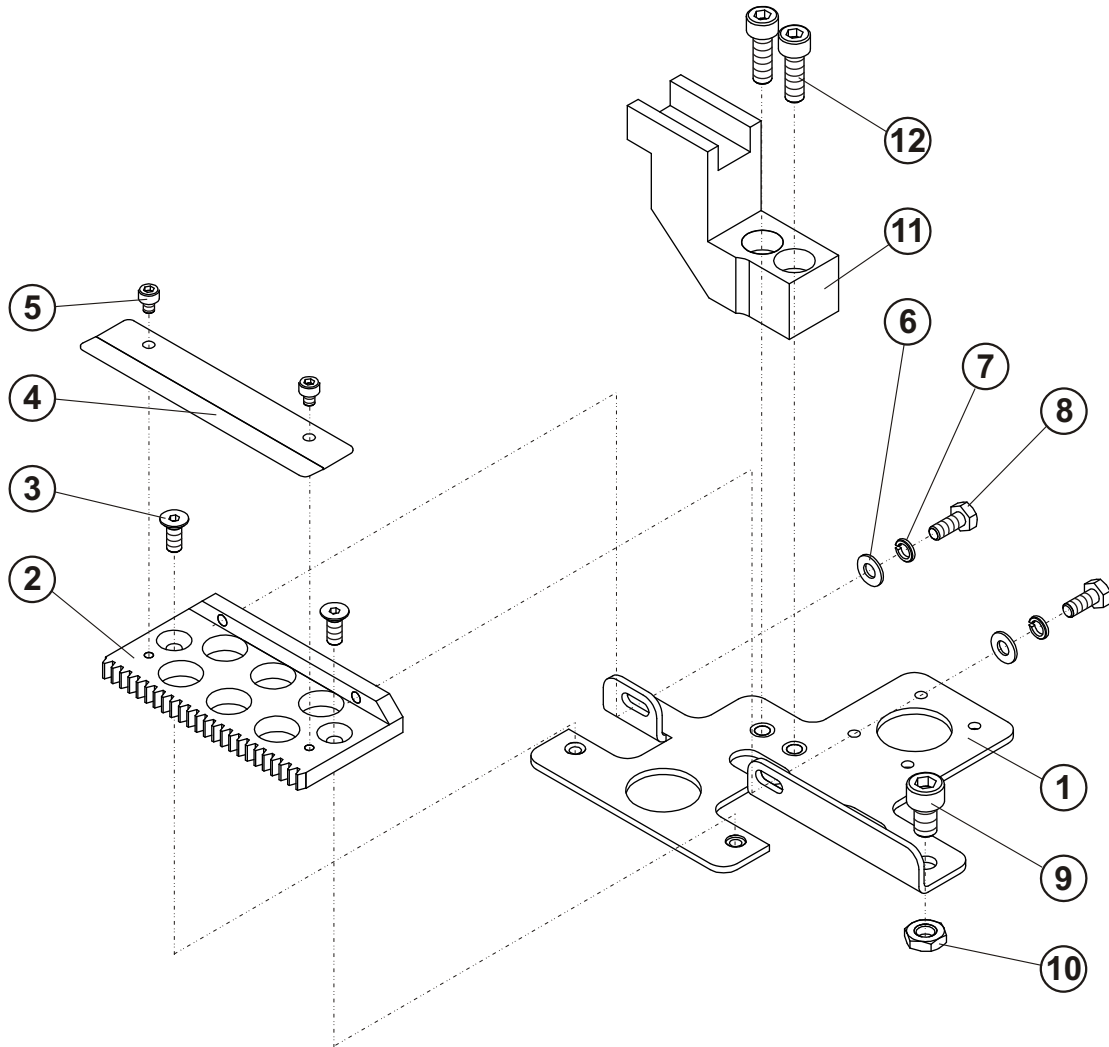
INDEXER GUIDE ASSEMBLY



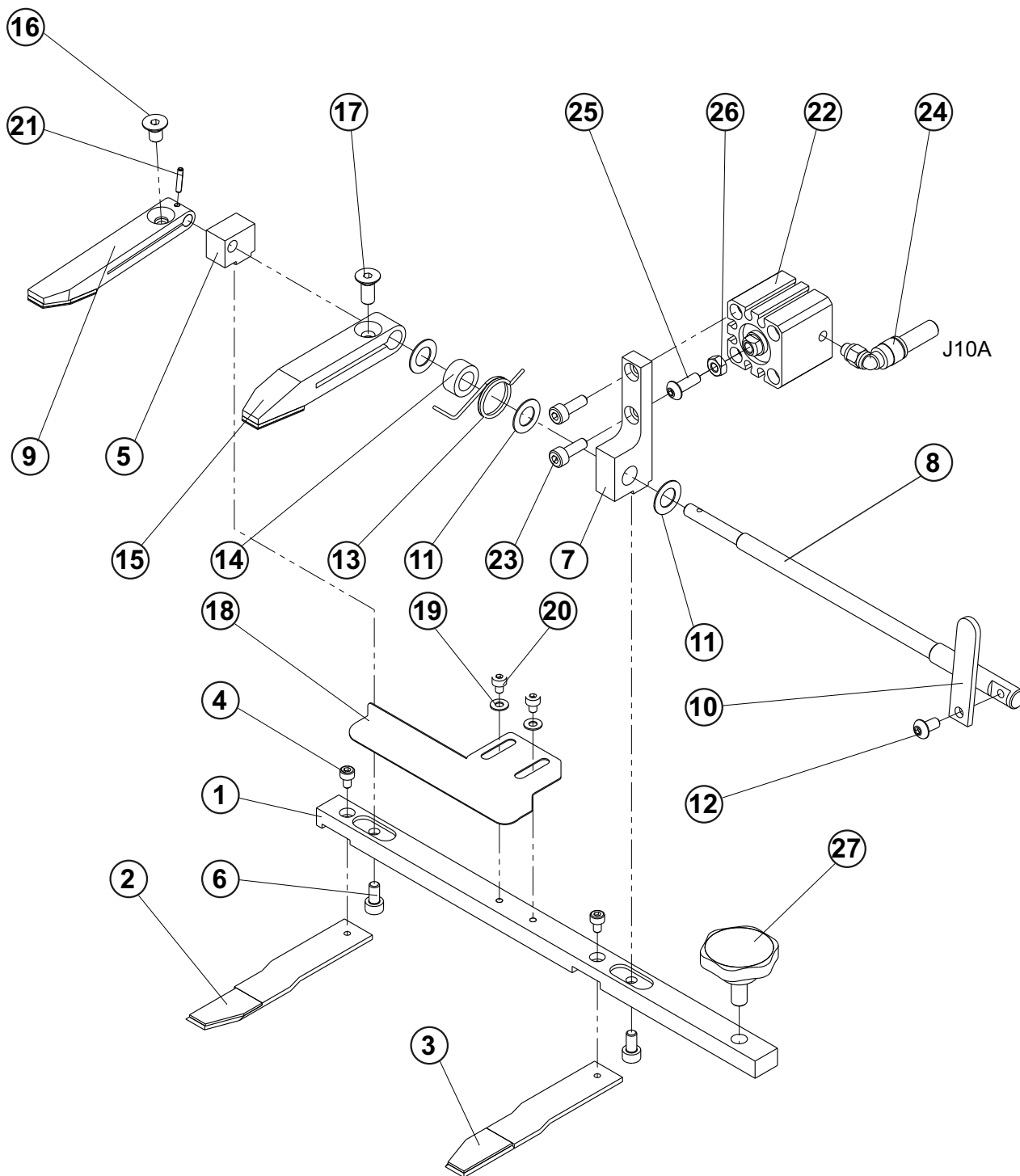
INDEXER GUIDE ASSEMBLY

DET	PART NUMBER	DESCRIPTION	QTY.
01	12.2070.1.013	Guide	1
02	24.4061.1.600	Holder ●	1
03	08.6000.4.008	Screw M4-8	4
04	12.2070.1.014	Guide	2
05	08.6000.3.006	Screw M3-6	12
06	24.4062.1.000	Bracket ●	1
07	08.6000.3.008	Screw M3-8	10
08	12.2070.1.015	Guide	1
09	24.4065.1.000	Holder	1
10	24.4081.0.000	Stud	1
11	12.2070.1.016	Guide	1
12	08.6000.3.010	Screw M3-10	4
13	24.4076.0.000	Motor Bracket ●	1
14	08.6000.8.012	Screw M8-12	2
15	24.4078.0.000	Motor - Indexer ● ● ● ●	1
16	08.6850.8.000	Washer 8	2
17	24.4075.0.000	Gear	1
18	08.6400.5.005	Screw M5-5	2
19	08.6850.4.000	Washer M4	4
20	08.6800.4.000	Washer 4	4
21	08.6000.4.012	Screw M4-12	4
22	08.6850.3.000	Washer 3,2	8
23	12.0010.4.093	Sensor BQ 10	2
24	08.6000.5.012	Screw M5-12	2
25	24.4082.0.000	Stop	2
26	08.6000.3.004	Screw M3-4	2
27	24.0546.0.000	Washer	1

CLAMPING FEED STRAIGHT



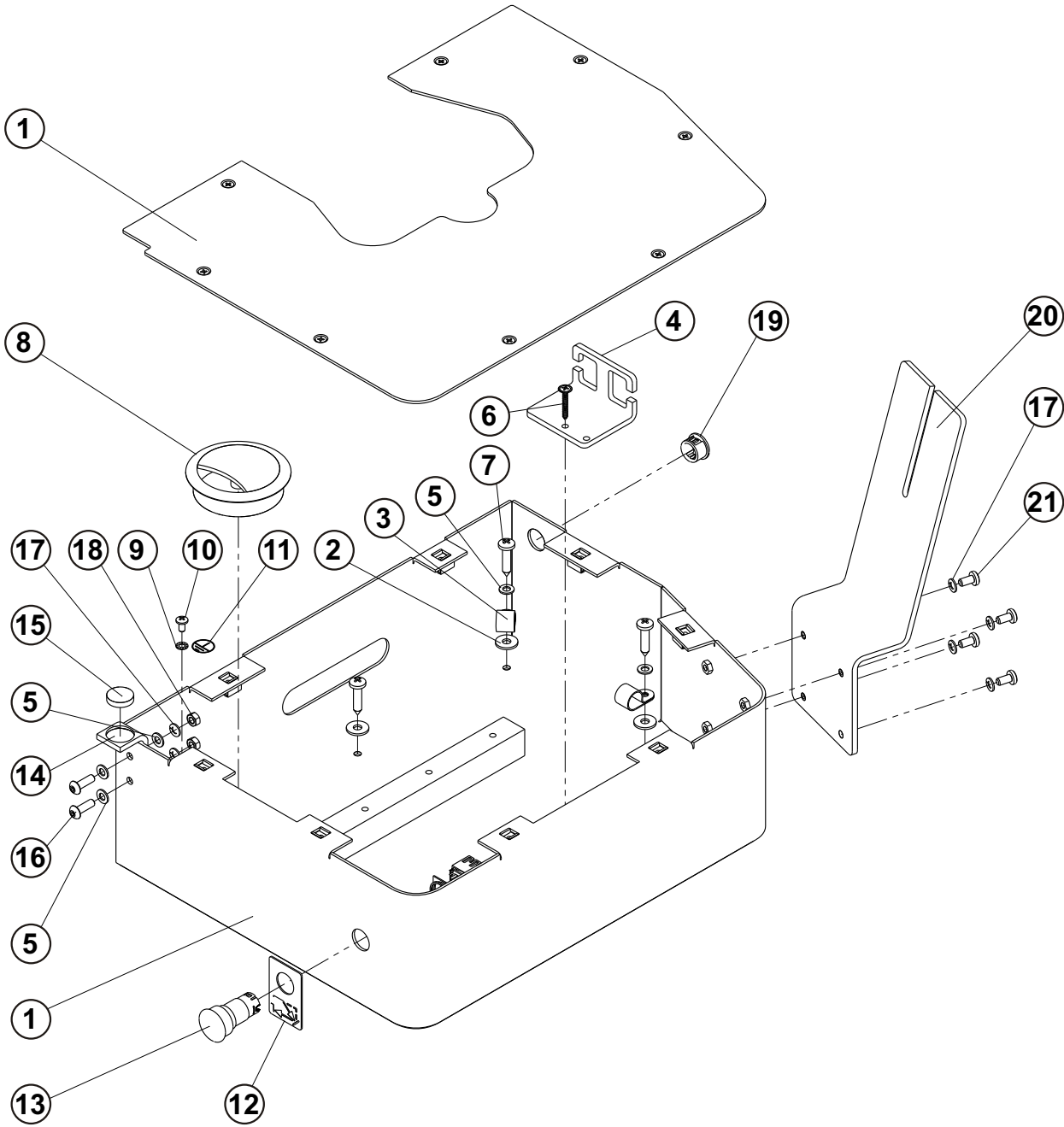
INDEXER CLAMPING - ANGLE



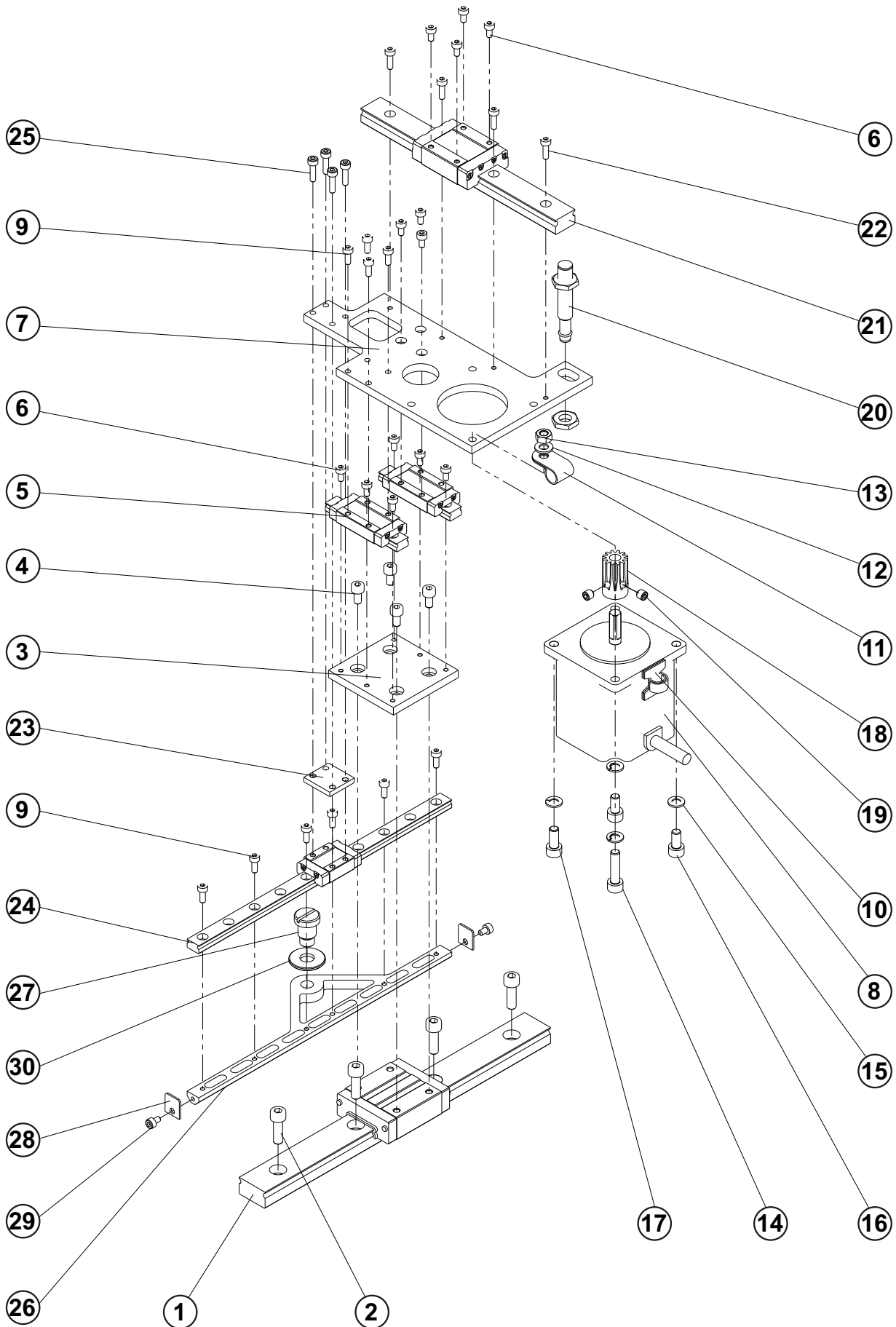
INDEXER CLAMPING - ANGLE

DET	PART NUMBER	DESCRIPTION	QTY.
01	24.4101.0.000	Clamp Rail	1
02	24.4006.2.000	Clamping MAT-Left	1
03	24.4007.2.000	Clamping MAT-Right	1
04	08.6000.3.005	Screw M3 x 5	2
05	24.4016.0.000	Holder Cylinder ●	1
06	08.6000.4.008	Screw M4 x 8	2
07	24.4013.0.000	Holder Cylinder ●	1
08	24.4009.1.000	Shaft	1
09	24.4017.2.000	Clamp Foot-Left ● ●●	1
10	24.4011.0.000	Clamping Lever	1
11	08.6887.8.000	Washer	3
12	08.6200.4.008	Screw M4 x 8	1
13	24.4010.0.000	Spring	1
14	24.4014.0.000	Bushing ●●●	1
15	24.4015.2.000	Clamp Foot-Right ● ●●	1
16	08.6100.5.008	Screw M5 x 8	1
17	08.6100.5.012	Screw M5 x 12	1
18	24.4008.1.000	Material Guide	1
19	08.6850.3.000	Washer 3,2	2
20	08.6000.3.004	Screw M3 x 4	2
21	12.1014.0.004	Pin 2x8	1
22	12.0008.3.498	Cylinder ● ●●	1
23	08.6000.4.012	Screw M4 x 12	2
24	12.0008.3.411	Connector ●● ●●●	1
25	08.6200.4.010	Screw M4 x 10	1
26	08.6700.4.000	Nut M4	1
27	24.4019.0.000	Screw	1

INDEXER COVER - ANGLE



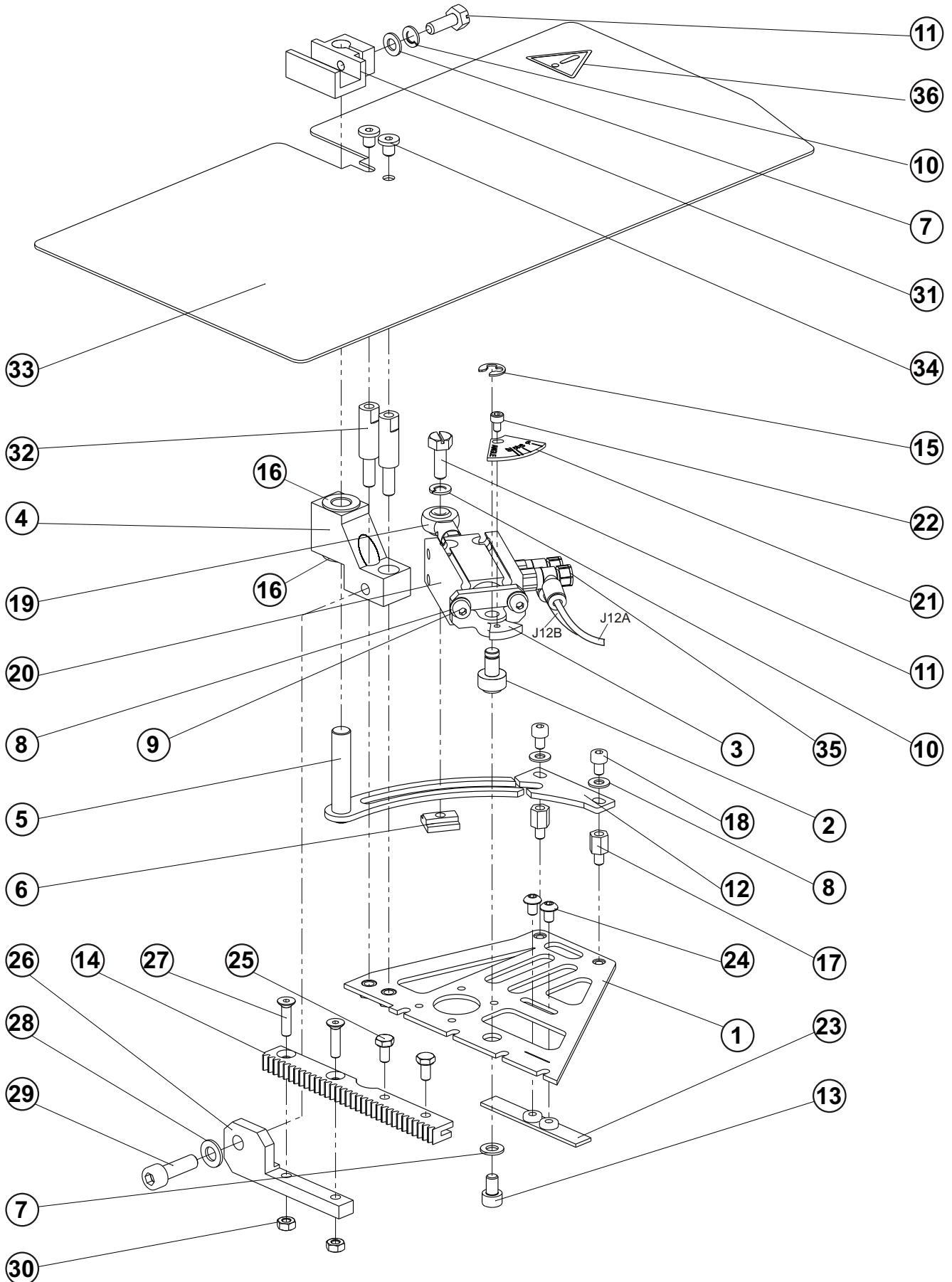
INDEXER GUIDE - ANGLE



INDEXER GUIDE - ANGLE

DET	PART NUMBER	DESCRIPTION	QTY.
01	12.2070.1.032	Guide	1
02	08.6000.5.016	Screw M5 x 16	4
03	24.4061.2.000	Holder ●	1
04	08.6000.4.008	Screw M4 x 8	4
05	12.2070.1.019	Linear Guide	2
06	08.6000.3.006	Screw M3 x 6	13
07	24.4062.3.000	Bracket ●	1
08	24.4078.0.000	Motor - Indexer ● ● ● ● ●	1
09	08.6000.3.008	Screw M3 x 8	10
10	12.0008.4.862	Clips-Metal ● ● ● ●	1
11	12.0008.4.225	Clamp ● ● ●	1
12	08.6850.5.000	Washer 5,3	1
13	08.6700.5.000	Nut M5	1
14	08.6000.5.020	Screw M5 x 20	1
15	08.6800.5.000	Spring Washer M5	4
16	08.6000.5.010	Screw M5 x 10	2
17	08.6000.5.012	Screw M5 x 12	1
18	24.4075.2.000	Gear	1
19	08.6400.5.005	Screw M5 x 5	2
20	12.0010.4.025	Sensor	1
21	12.2070.1.016	Guide	1
22	08.6000.3.010	Screw M3 x 10	4
23	24.4089.0.000	Distance ●	1
24	12.2070.1.033	Linear Guide	1
25	08.6000.3.012	Screw M3 x 12	4
26	24.4065.2.000	Holder	1
27	24.4081.0.000	Stud	1
28	24.4082.0.000	Stop	2
29	08.6000.3.005	Screw M3 x 5	2
30	24.0546.0.000	Washer	1

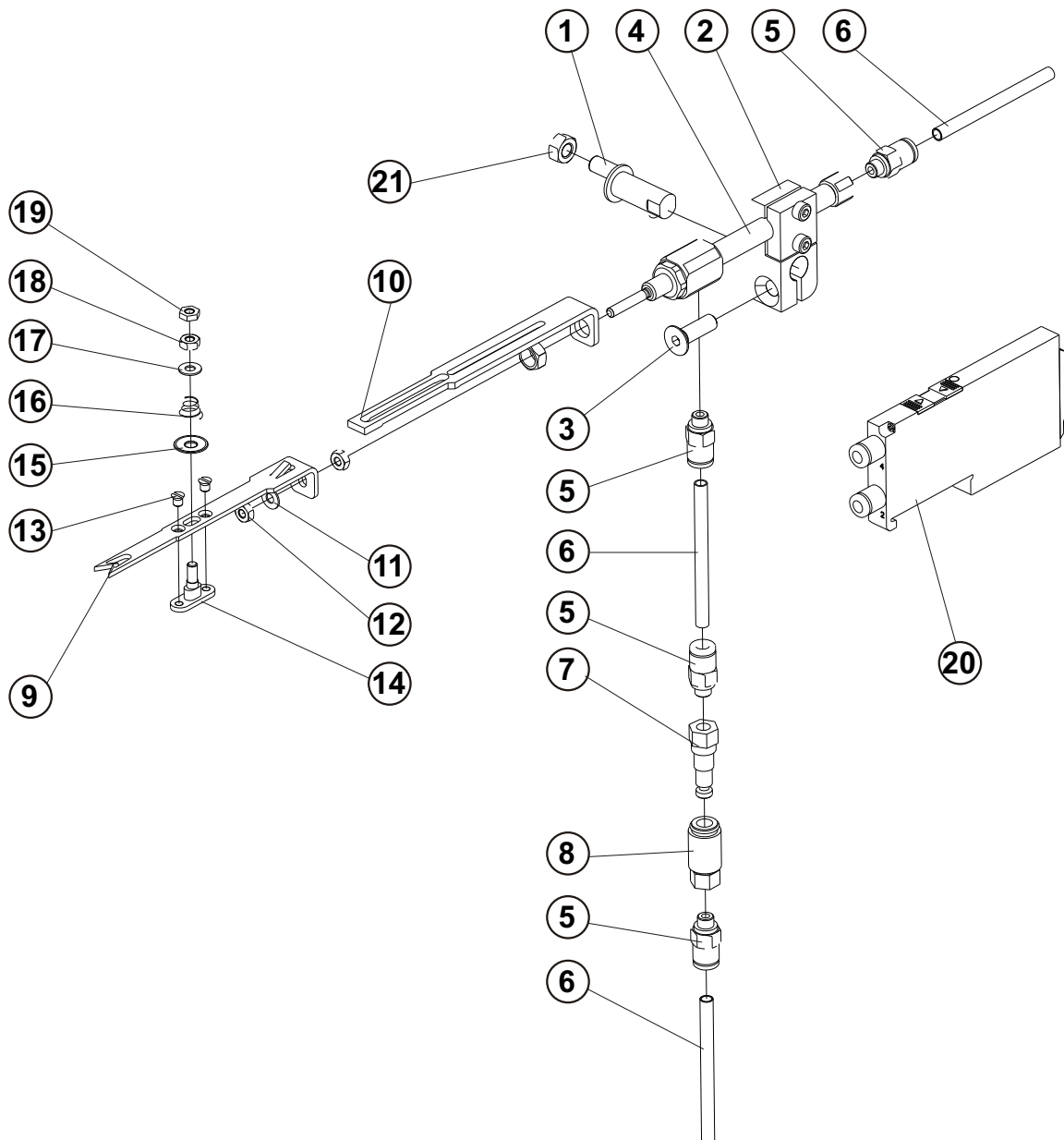
CLAMP FEET - ANGLE



CLAMP FEET - ANGLE

DET	PART NUMBER	DESCRIPTION	QTY.
01	24.4064.3.000	Support Plate	1
02	24.4080.2.000	Stud	1
03	24.4086.1.000	Cylinder Bracket	1
04	24.4063.2.000	Holder; Angle Clamp	1
05	24.4032.1.000	Lever	1
06	24.4085.0.000	Nut	1
07	08.6850.5.000	Washer 5,3	3
08	08.6850.4.000	Washer M4	4
09	08.6000.4.008	Screw M4 x 8	2
10	08.6800.5.000	Spring Washer M5	2
11	17.0014.1.226	Screw	2
12	24.4084.0.000	Lock Lever	1
13	08.6000.5.008	Screw M5 x 8	1
14	24.4077.3.000	Rack	1
15	17.0027.4.083	E-Clip 5	1
16	24.4030.0.000	Bushing	2
17	24.4079.0.000	Stud	2
18	08.6000.4.006	Screw M4 x 6	2
19	12.0010.6.210	Rod End	1
20	12.0010.3.061	Cylinder	1
21	24.4098.0.000	Gauge	1
22	08.6000.3.005	Screw M3 x 5	1
23	24.4096.0.000	Sensor Plate	1
24	08.6200.4.006	Screw M4 x 6	2
25	08.6312.4.008	Screw M4 x 8	2
26	24.4097.0.000	Brace	1
27	08.6100.4.016	Screw M4 x 16	2
28	08.6852.6.000	Washer 6,4	1
29	08.6002.6.020	Screw M6 x 20	1
30	08.6700.4.000	Nut M4	2
31	24.4029.3.000	Clamp Feet Holder	1
32	24.4099.0.000	Stud	2
33	24.4100.0.000	Cover Plate	1
34	08.6050.5.006	Screw M5 x 6	2
35	12.0010.3.047	Speed Controller	2
36	17.0097.5.174	Label- Warning	1

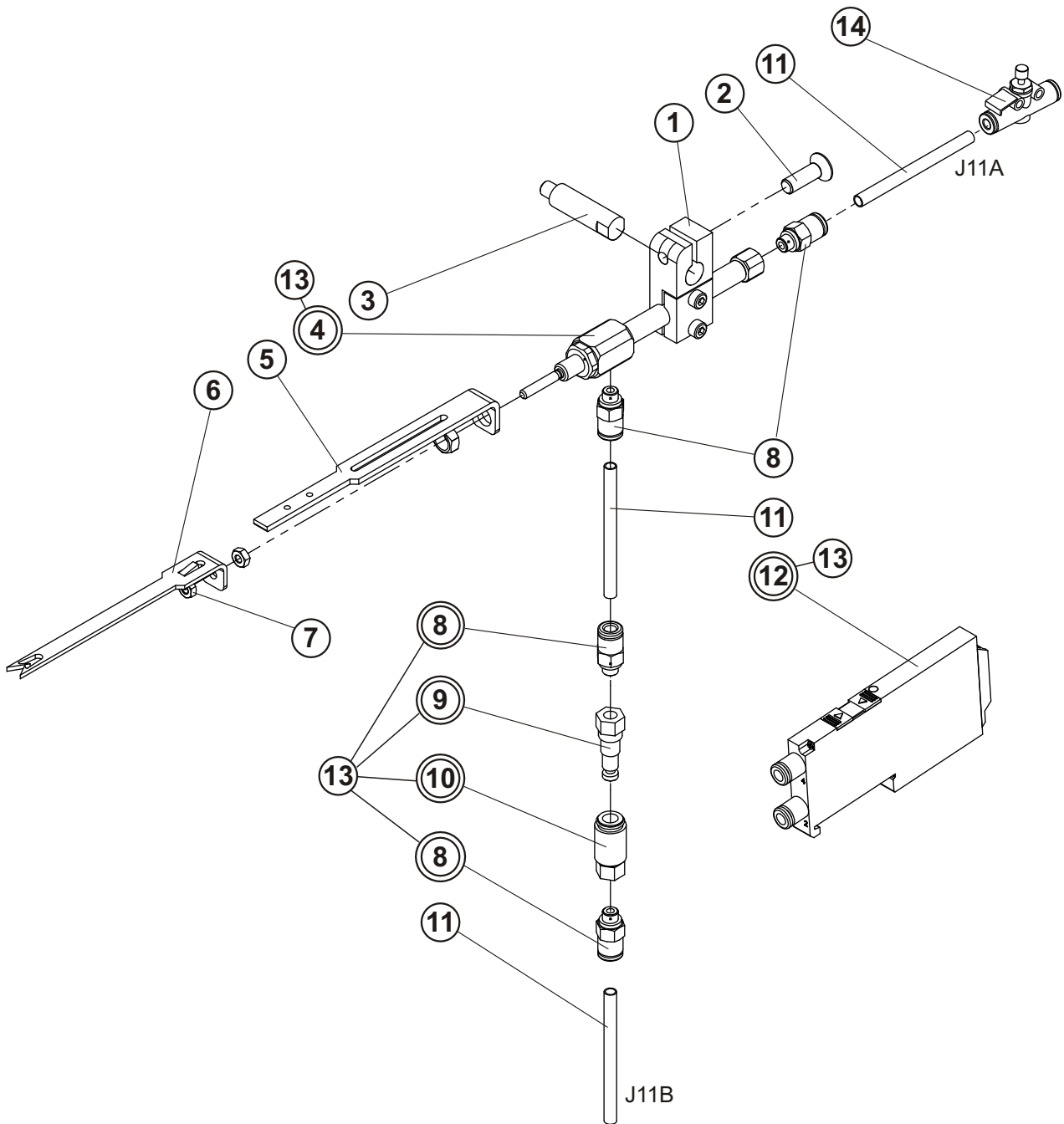
THREAD PICK-UP



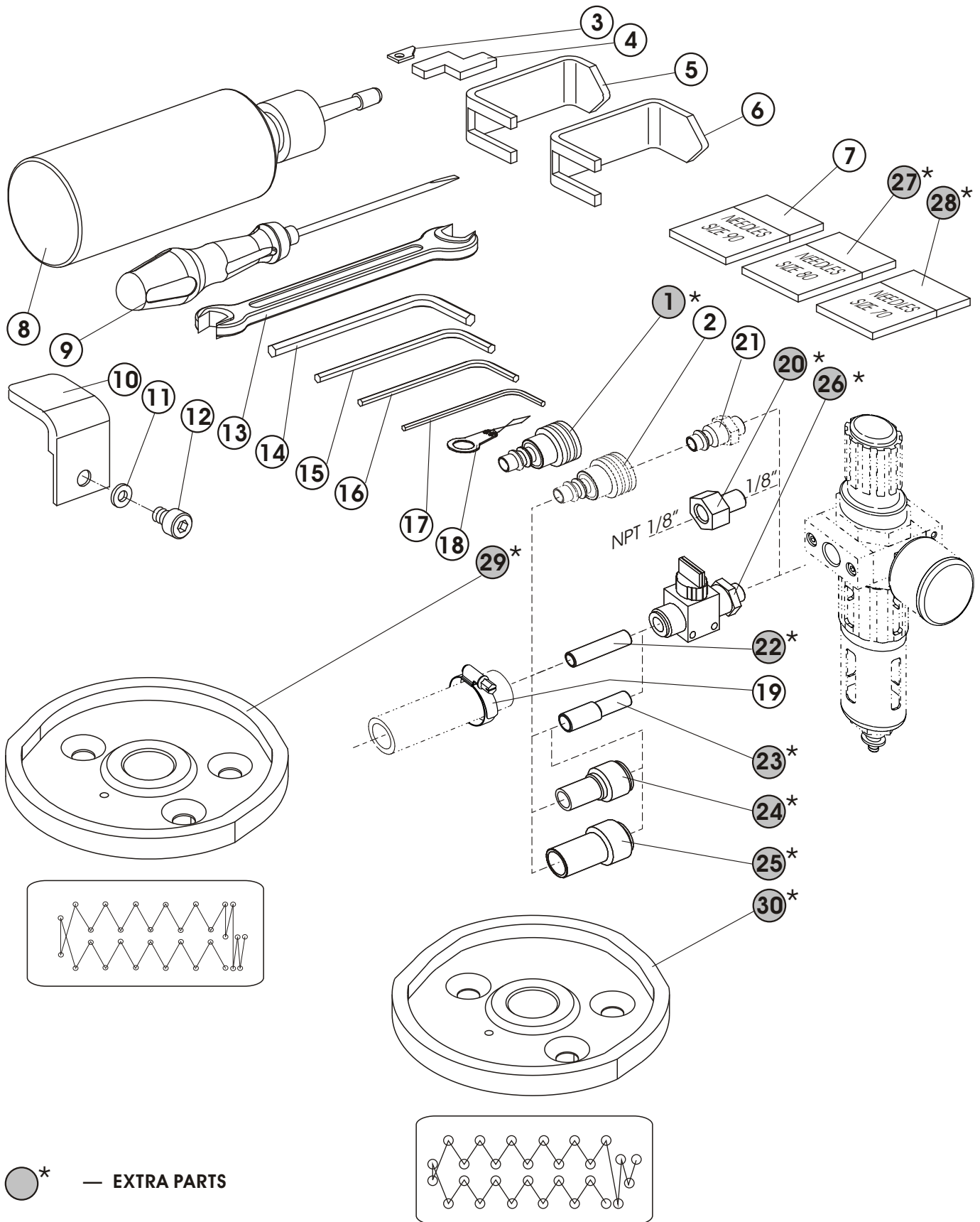
THREAD PICK-UP

DET	PART NUMBER	DESCRIPTION	QTY.
01	24.4004.0.000	Eccentric Stud	1
02	24.4001.0.050	Cylinder Holder Assembly ● ●●●	1
03	08.6100.5.016	Screw M5-16	1
04	12.0008.3.499	Cylinder	(1)
05	12.0008.3.409	Connector ●● ●●●	(4)
06	12.0008.3.416	Air Tube ●●●	3
07	12.0008.3.602	Connector ●●	(1)
08	12.0008.3.601	Connector ●●	(1)
09	24.4094.0.000	Thread Catcher	1
10	24.4093.0.000	Thread Catcher Guide	1
11	08.6852.3.000	Washer M3	1
12	08.6702.3.000	Nut M3	1
13	01.2376.0.000	Screw-Flat Head	2
14	24.4092.0.000	Guide	1
15	10.1029.1.000	Tension Disc	1
16	17.0026.2.077	Spring	1
17	08.6850.3.000	Washer 3,2	1
18	08.6700.3.000	Nut M3	1
19	08.6710.3.000	Nut M3	1
20	12.0008.3.828	5/2 Valve ●●●	(1)
21	08.6700.5.000	Nut M5	1
22	12.0008.3.575	Thread Pick-up Pneumatic Kit	1

ACCESSORIES EXTRA PARTS - THREAD PICK-UP



ACCESSORIES



●* — EXTRA PARTS

ACCESSORIES

DET	PART NUMBER	DESCRIPTION	QTY.
01*	12.0008.3.607	Connector Dia 8	1*
02	12.0008.3.608	Connector Dia 10	1
03	20.0094.0.000	Trimmer Knife	1
04	22.0209.0.000	Looper Gauge	1
05	24.0030.0.000	Main Shaft Pulley Bracket	1
06	24.0024.0.000	Needle Bar Shaft Pulley Bracket	1
07	02.0750.2.110	Needles, Size 90	10
08	05.1322.0.000	Oiler ●●●	1
09	12.0008.6.001	Screwdriver	1
10	22.0213.0.000	Bracket	1
11	08.6850.4.000	M4 Washer	1
12	08.6000.4.005	M4 x 5 Screw	1
13	12.0008.6.109	Wrench	1
14	12.0008.6.102	Allen Key Wrench 4	1
15	12.0008.6.101	Allen Key Wrench 3	1
16	12.0008.6.112	Allen Key Wrench 2-1/2	1
17	12.0008.6.100	Allen Key Wrench 2	1
18	12.0008.6.105	Needle Threader	1
19	12.0008.3.251	Air Tubing Clamp	1
20*	12.0008.3.081	Pneumatic Adapter (1/8" / NPT 1/8")	1
21	See page 3-53	Connector	—
22*	12.0008.3.464	Connector	—
23*	12.0008.3.466	Connector	—
24*	12.0008.3.467	Connector	—
25*	12.0008.3.465	Connector	—
26*	12.0008.3.463	Handvalve	—
27*	02.0750.2.100	Needle, Size 80	—
28*	02.0750.2.109	Needle, Size 70	—
29*	24.3079.0.000	Main Cam ISBH - Type II.	—
30*	24.3080.0.000	Main Cam ISBH	—
*	— Extra Parts		

RECOMMENDED SPARE PARTS

No.	Part Number	Parts Description
01	07.6321.0.025	BRG, BALL CAM F. (INA)#LR605NPPU
02	20.0093.0.000	HOOK TRIMMER
03	20.0094.0.000	TRIMMER KNIFE
04	20.0111.0.000	LOOPER*FIRST
05	20.0112.0.000	LOOPER*SECOND
06	22.2657.0.000	RIGHT SHIFTER ARM SPRING
07	22.2653.0.000	LEFT SHIFTER ARM SPRING
08	23.2356.2.052	USA-KNIFE-1/2/13 M
09	23.2356.2.054	USA-KNIFE-5/8/16 MM
10	23.2356.2.055	USA-KNIFE-3/4/19 M
11	22.0353.0.000	DOUBLE GEAR
12	22.0313.0.000	FEED BRAKE PAD
13	08.6400.3.005	SCREW, H.S. SET, CUP, BLK
14	07.6440.0.018	SPRING, COMP. (LEE)
15	20.0092.0.004	TRIMMER ACTUATOR
16	01.2386.0.000	HEX SCREW 3/16-36 x.5
17	20.0093.2.004	HOOK-TRIMMER
18	23.3106.0.000	JIS FIRST LOOPER HOLDER
19	23.2107.0.000	SECOND LOOPER HOLDER
20	22.0520.0.000	NEEDLE BAR CLAMP
21	22.0530.0.000	NEEDLE BAR CONNECTING LINK
22	24.3077.0.000	MAIN CAM, ISBHM MAIN CAM-ISBH
23	07.6440.0.028	SPRING (LEE) #LC-040C-01
24	22.2626.0.000	DRIVE DISK SWITCH SPRING

INDEX

PART NUMBER	PAGE	DET	QTY	PART NUMBER	PAGE	DET	QTY	PART NUMBER	PAGE	DET	QTY
36542017	3-25	34	1	06.2400.0.910	3-39	49	1	08.6000.3.006	3-55	5	12
				06.2400.0.913	3-39	48	1	08.6000.3.006	3-63	6	13
00.2751.3.602	3-39	57	1	06.8800.0.001	3-41	2	(1)	08.6000.3.008	3-49	3	2
								08.6000.3.008	3-55	7	10
01.1382.0.000	3-17	6	1	07.6045.0.009	3-13	19	2	08.6000.3.008	3-63	9	10
01.1397.0.000	3-17	11	4	07.6045.0.034	3-13	30	1	08.6000.3.010	3-13	38	1
01.2084.0.000	3-5	10	1	07.6045.0.037	3-13	16	2	08.6000.3.010	3-17	17	1
01.2084.0.000	3-7	32	1	07.6045.0.037	3-27	9	1	08.6000.3.010	3-21	6	1
01.2193.0.000	3-3	2	1	07.6045.0.042	3-9	9	1	08.6000.3.010	3-55	12	4
01.2376.0.000	3-5	17	4	07.6045.0.042	3-23	4	1	08.6000.3.010	3-63	22	4
01.2376.0.000	3-7	05	4	07.6045.0.046	3-5	01	2	08.6000.3.012	3-63	25	4
01.2376.0.000	3-67	13	2	07.6045.0.046	3-7	10	2	08.6000.3.016	3-31	09	4
01.2386.0.000	3-9	3	1	07.6045.0.053	3-27	21	1	08.6000.3.040	3-31	08	1
01.6551.0.000	3-3	7	1	07.6045.0.054	3-29	11	1	08.6000.4.005	3-11	5	4
01.6551.0.000	3-23	17	1	07.6321.0.001	3-25	11	1	08.6000.4.005	3-15	58	2
01.7447.1.000	3-3	5	1	07.6321.0.025	3-15	50	2	08.6000.4.005	3-27	20	1
01.7447.1.000	3-23	15	1	07.6321.0.025	3-21	16	2	08.6000.4.005	3-71	12	1
01.7804.0.000	3-3	18	1	07.6321.0.029	3-21	13	(2)	08.6000.4.006	3-29	20	1
01.7805.0.000	3-3	23	1	07.6321.0.030	3-13	12	(1)	08.6000.4.006	3-31	15	2
01.7805.0.000	3-29	37	2	07.6440.0.018	3-13	41	2	08.6000.4.006	3-33	4	2
01.7806.0.000	3-27	18	2	07.6440.0.028	3-13	23	2	08.6000.4.006	3-65	18	2
01.7809.0.000	3-3	17	1	07.6440.0.028	3-21	18	2	08.6000.4.008	3-51	6	2
				07.6440.0.032	3-11	16	1	08.6000.4.008	3-55	3	4
02.0750.2.100	3-71	27*	—	07.6440.0.033	3-13	8	2	08.6000.4.008	3-59	6	2
02.0750.2.109	3-71	28*	—	07.6440.0.036	3-17	21	3	08.6000.4.008	3-63	4	4
02.0750.2.110	3-3	32	1	07.6440.0.037	3-25	04	2	08.6000.4.008	3-65	9	2
02.0750.2.110	3-71	07	10	07.6440.0.040	3-11	10	1	08.6000.4.010	3-11	1	2
				07.6440.0.041	3-13	11	1	08.6000.4.010	3-23	7	1
03.5524.0.040	3-37	01	1	07.6440.0.045	3-25	27	1	08.6000.4.010	3-49	7	4
				07.6440.0.050	3-13	18	1	08.6000.4.012	3-9	7	1
04.1416.0.003	3-35	8	(1)	07.6440.0.051	3-27	10	1	08.6000.4.012	3-51	23	2
04.9000.2.123	3-35	14	1	07.6600.0.006	3-53	13	2	08.6000.4.012	3-55	21	4
04.9024.0.003	3-35	01*	1	07.6600.0.006	3-61	3	2	08.6000.4.012	3-59	23	2
04.9024.0.653	3-37	38	1					08.6000.4.014	3-13	45	2
04.9024.0.901	3-35	09*	(1)	08.6000.3.004				08.6000.4.014	3-17	25	2
				08.6000.3.004	3-51	20	2	08.6000.4.014	3-21	8	2
05.1322.0.000	3-71	08	1	08.6000.3.004	3-55	26	2	08.6000.4.016	3-11	3	4
05.1394.0.000	3-29	05	1	08.6000.3.004	3-57	5	2	08.6000.4.016	3-23	10	6
				08.6000.3.004	3-59	20	2	08.6000.4.016	3-27	42	4
06.2400.0.002	3-37	5	(1)	08.6000.3.005	3-51	4	2	08.6000.4.025	3-13	32	2
06.2400.0.008	3-37	27	1	08.6000.3.005	3-59	4	2	08.6000.4.070	3-31	07	4
06.2400.0.009	3-37	32	2	08.6000.3.005	3-63	29	2				
06.2400.0.014	3-41	4	(1)	08.6000.3.005	3-65	22	1	08.6000.5.008			
06.2400.0.901	3-37	13	1	08.6000.3.006	3-23	29	1	08.6000.5.008	3-65	13	1
06.2400.0.902	3-37	39	1	08.6000.3.006	3-29	15	1	08.6000.5.010	3-63	16	2
06.2400.0.904	3-37	35	1	08.6000.3.006	3-33	11	1	08.6000.5.012	3-5	07	1

INDEX

PART NUMBER	PAGE	DET	QTY	PART NUMBER	PAGE	DET	QTY	PART NUMBER	PAGE	DET	QTY
08.6000.5.012	3-7	15	1	08.6100.4.010	3-57	3	2	08.6400.3.006	3-7	25	2
08.6000.5.012	3-45	01	2	08.6100.4.012	3-25	15	1	08.6400.4.004	3-3	21	2 (2)
08.6000.5.012	3-55	24	2	08.6100.4.012	3-41	8	(4)	08.6400.4.004	3-5	08	2
08.6000.5.012	3-63	17	1	08.6100.4.016	3-65	27	2	08.6400.4.004	3-7	16	2
08.6000.5.016	3-3	37	1	08.6100.4.020	3-37	46	8	08.6400.4.004	3-17	1	2
08.6000.5.016	3-23	3	1	08.6100.5.008	3-51	16	1	08.6400.4.004	3-21	27	1
08.6000.5.016	3-27	3	4	08.6100.5.008	3-59	16	1	08.6400.4.004	3-23	26	2
08.6000.5.016	3-29	26	3	08.6100.5.010	3-25	09	1	08.6400.4.004	3-25	31	2
08.6000.5.016	3-57	12	2	08.6100.5.012	3-5	14	2	08.6400.4.005	3-11	22	1
08.6000.5.016	3-63	2	4	08.6100.5.012	3-7	07	2	08.6400.4.005	3-13	28	6
08.6000.5.020	3-13	15	2	08.6100.5.012	3-19	02	5	08.6400.4.005	3-21	20	1
08.6000.5.020	3-63	14	1	08.6100.5.012	3-19	02*	2*	08.6400.4.012	3-5	21	1
08.6000.5.022	3-5	05	4	08.6100.5.012	3-51	17	1	08.6400.4.012	3-7	17	1
08.6000.5.030	3-7	13	2	08.6100.5.012	3-59	17	1	08.6400.5.005	3-3	4	1
08.6000.6.010	3-5	30	2	08.6100.5.016	3-31	01	7	08.6400.5.005	3-13	33	1
08.6000.6.010	3-7	21	2	08.6100.5.016	3-67	3	1	08.6400.5.005	3-27	27	2
08.6000.6.010	3-57	9	1	08.6100.5.016	3-69	2	1	08.6400.5.005	3-29	12	2
08.6000.6.016	3-3	22	2	08.6100.5.020	3-17	4	2	08.6400.5.005	3-55	18	2
08.6000.6.016	3-29	31	2	08.6100.5.020	3-19	07	1	08.6400.5.005	3-63	19	2
08.6000.6.025	3-3	31	1	08.6100.5.020	3-27	26	3	08.6400.5.008	3-5	18	1
08.6000.6.025	3-21	1	1	08.6100.5.020	3-27	37	1	08.6400.5.008	3-7	08	1
08.6000.6.025	3-27	29	2	08.6100.6.035	3-29	17	1	08.6400.5.008	3-27	28	2
08.6000.6.030	3-3	15	(1)	08.6102.3.008	3-37	11	2	08.6400.5.010	3-27	17	1
08.6000.8.012	3-55	14	2	08.6120.3.008	3-29	03	7	08.6400.5.010	3-29	13	2
08.6000.8.025	3-27	7	2	08.6200.4.006	3-65	24	2	08.6400.5.305	3-13	13	5
08.6000.8.040	3-27	12	2	08.6200.4.008	3-31	17	2	08.6400.5.305	3-29	33	6
08.6002.6.020	3-65	29	1	08.6200.4.008	3-51	12	1	08.6532.8.050	3-35	18	(4)
08.6012.4.010	3-19	11	1	08.6200.4.008	3-59	12	1	08.6652.3.016	3-35	23	(2)
08.6032.4.008	3-53	10	1	08.6200.4.010	3-51	25	1	08.6662.3.006	3-37	07	(1)
08.6032.4.008	3-61	10	1	08.6200.4.010	3-59	25	1	08.6662.3.006	3-45	13	2
08.6032.4.010	3-37	06	(3)	08.6200.4.012	3-47	5	1	08.6663.5.025	3-35	12	10
08.6032.4.010	3-39	54	(6)	08.6200.4.016	3-23	22	2	08.6663.5.025	3-53	3	7
08.6032.4.010	3-53	11	4	08.6200.5.008	3-27	5	1	08.6663.5.025	3-61	7	6
08.6032.5.010	3-61	21	4	08.6200.5.012	3-19	03	6	08.6676.4.025	3-53	7	2
08.6050.5.006	3-65	34	2	08.6200.5.014	3-19	07*	1*	08.6676.4.025	3-61	6	1
				08.6200.5.020	3-19	14	1	08.6683.4.007	3-45	15	2
08.6100.3.006				08.6202.5.016	3-61	16	2	08.6683.4.007	3-45	34	1
08.6100.3.006	3-49	5	4	08.6215.4.006	3-37	14	2	08.6700.3.000	3-67	18	1
08.6100.3.008	3-21	5	2	08.6310.4.010	3-57	8	2	08.6700.3.000	3-69	7	1
08.6100.3.008	3-29	21	1	08.6312.4.008	3-65	25	2	08.6700.4.000	3-5	22	1
08.6100.3.030	3-13	1	2	08.6312.8.020	3-41	5	(2)	08.6700.4.000	3-7	18	1
08.6100.4.006	3-5	13	2*					08.6700.4.000	3-9	11	1
08.6100.4.006	3-7	03	2	08.6400.3.004				08.6700.4.000	3-47	4	1
08.6100.4.006	3-11	21	3	08.6400.3.004	3-29	23	1	08.6700.4.000	3-51	26	1
08.6100.4.006	3-29	08	2	08.6400.3.005	3-3	12	4	08.6700.4.000	3-59	26	1
08.6100.4.010	3-37	28	4	08.6400.3.006	3-5	27	2	08.6700.4.000	3-65	30	2

INDEX

PART NUMBER	PAGE	DET	QTY	PART NUMBER	PAGE	DET	QTY	PART NUMBER	PAGE	DET	QTY
08.6700.5.000	3-11	27	1	08.6842.5.000	3-61	2	6	12.0008.3.023	3-35	17	(1)
08.6700.5.000	3-19	09	2	08.6850.3.000	3-23	27	1	12.0008.3.023	3-45	11	3
08.6700.5.000	3-21	24	2	08.6850.3.000	3-51	19	2	12.0008.3.081	3-71	20*	1
08.6700.5.000	3-25	19	1	08.6850.3.000	3-55	22	8	12.0008.3.251	3-71	19	1
08.6700.5.000	3-27	34	3	08.6850.3.000	3-59	19	2	12.0008.3.409	3-67	5	(4)
08.6700.5.000	3-27	38	1	08.6850.3.000	3-67	17	1	12.0008.3.409	3-69	8	(4)
08.6700.5.000	3-45	06	2	08.6850.4.000	3-9	13	1	12.0008.3.411	3-7	14	2
08.6700.5.000	3-63	13	1	08.6850.4.000	3-23	18	2	12.0008.3.411	3-47	2	1
08.6700.5.000	3-67	21	1	08.6850.4.000	3-27	41	4	12.0008.3.411	3-51	24	1
08.6700.6.000	3-11	26	1	08.6850.4.000	3-29	19	1	12.0008.3.411	3-59	24	1
08.6700.8.000	3-15	57	1	08.6850.4.000	3-55	19	4	12.0008.3.412	3-45	28	1
08.6700.8.000	3-17	33	1	08.6850.4.000	3-57	6	2	12.0008.3.413	3-45	23	1
08.6700.8.000	3-35	02	(4)	08.6850.4.000	3-65	8	4	12.0008.3.416	3-67	6	3
				08.6850.4.000	3-71	11	1	12.0008.3.416	3-69	11	1
08.6702.3.000				08.6850.5.000	3-7	29	2	12.0008.3.418	3-45	16	1
08.6702.3.000	3-67	12	1	08.6850.5.000	3-25	20	1	12.0008.3.420	3-45	07	1
08.6702.4.000	3-37	41	8	08.6850.5.000	3-27	2	3	12.0008.3.426	3-47	6	1
08.6702.5.000	3-61	18	2	08.6850.5.000	3-29	25	2	12.0008.3.433	3-45	25	1
08.6702.8.000	3-35	20	(4)	08.6850.5.000	3-31	04	4	12.0008.3.437	3-45	31*	1
08.6702.8.000	3-41	10	(2)	08.6850.5.000	3-45	05	2	12.0008.3.463	3-71	26*	—
08.6710.3.000	3-5	26	2	08.6850.5.000	3-63	12	1	12.0008.3.464	3-71	22*	—
08.6710.3.000	3-7	26	2	08.6850.5.000	3-65	7	3	12.0008.3.465	3-71	25*	—
08.6710.3.000	3-67	19	1	08.6850.6.000	3-11	11	1	12.0008.3.466	3-71	23*	—
08.6710.5.000	3-15	52	2	08.6850.6.000	3-27	30	2	12.0008.3.467	3-71	24*	—
08.6710.5.000	3-17	23	2	08.6850.8.000	3-15	56	1	12.0008.3.498	3-47	1	1
08.6710.6.000	3-23	1	1	08.6850.8.000	3-17	32	1	12.0008.3.498	3-51	22	1
08.6710.6.000	3-57	10	1	08.6850.8.000	3-55	16	2	12.0008.3.498	3-59	22	1
08.6733.3.000	3-13	24	2	08.6852.3.000	3-67	11	1	12.0008.3.499	3-67	4	(1)
08.6742.8.000	3-35	10	(4)	08.6852.4.000	3-37	43	8	12.0008.3.499	3-69	4	(1)
08.6752.8.000	3-35	21	(4)	08.6852.4.000	3-45	33	1	12.0008.3.575	3-67	22	1
08.6800.4.000	3-13	43	2	08.6852.5.000	3-53	12	2	12.0008.3.575	3-69	13	1
08.6800.4.000	3-17	26	2	08.6852.5.000	3-61	5	6	12.0008.3.601	3-67	8	(1)
08.6800.4.000	3-23	19	2	08.6852.6.000	3-65	28	1	12.0008.3.601	3-69	10	(1)
08.6800.4.000	3-55	20	4	08.6852.8.000	3-35	19	(4)	12.0008.3.602	3-67	7	(1)
08.6800.4.000	3-57	7	2	08.6852.8.000	3-41	6	(4)	12.0008.3.602	3-69	9	(1)
08.6800.5.000	3-63	15	4	08.6887.5.000	3-11	17	1	12.0008.3.604	3-37	37	1
08.6800.5.000	3-65	10	2	08.6887.8.000	3-51	11	3	12.0008.3.607	3-71	01*	1*
08.6802.4.000	3-37	42	8	08.6887.8.000	3-59	11	3	12.0008.3.608	3-71	02	1
08.6802.5.000	3-61	17	6					12.0008.3.659	3-45	03	1
08.6802.6.000	3-11	25	1	10.1029.1.000	3-67	15	1	12.0008.3.753	3-45	04	1
08.6802.8.000	3-41	9	(2)					12.0008.3.828	3-45	12	7
08.6832.4.000	3-19	12	1	11.5009.0.000	3-61	14	1	12.0008.3.828	3-47	7	2
08.6832.4.000	3-53	9	1					12.0008.3.828	3-67	20	(1)
08.6832.4.000	3-61	9	1	12.0008.3.023				12.0008.3.828	3-69	12	(1)
08.6832.5.000	3-45	02	2	12.0008.3.023	3-19	15	1	12.0008.3.829	3-45	09	1
08.6842.5.000	3-53	2	4	12.0008.3.023	3-33	14	1	12.0008.3.830	3-45	14	1

INDEX

PART NUMBER	PAGE	DET	QTY	PART NUMBER	PAGE	DET	QTY	PART NUMBER	PAGE	DET	QTY
12.0008.3.831	3-45	20	1	12.0008.6.001	3-71	09	1	12.2010.1.002	3-17	14	2
12.0008.3.832	3-45	19	1	12.0008.6.100	3-71	17	1	12.2050.0.003	3-3	20	1
				12.0008.6.101	3-71	15	1	12.2050.0.005	3-29	30	1
12.0008.4.050				12.0008.6.102	3-71	14	1	12.2070.1.012	3-49	2	1
12.0008.4.050	3-43	8	1	12.0008.6.105	3-71	18	1	12.2070.1.013	3-55	1	1
12.0008.4.052	3-19	10	1	12.0008.6.109	3-71	13	1	12.2070.1.014	3-55	4	2
12.0008.4.052	3-53	5	1	12.0008.6.112	3-71	16	1	12.2070.1.015	3-55	8	1
12.0008.4.052	3-61	11	1	12.0008.6.800	3-21	23	1	12.2070.1.016	3-55	11	1
12.0008.4.058	3-35	22	(1)	12.0008.6.801	3-35	06	(4)	12.2070.1.016	3-63	21	1
12.0008.4.058	3-41	11	(2)	12.0008.6.900	3-35	05	(1)	12.2070.1.019	3-63	5	2
12.0008.4.058	3-45	10	3	12.0008.6.901	3-35	15	(1)	12.2070.1.032	3-63	1	1
12.0008.4.072	3-27	13	10					12.2070.1.033	3-63	24	1
12.0008.4.072	3-41	12	(2)	12.0010.3.027				12.3011.0.014	3-25	32	1
12.0008.4.100	3-27	40	1	12.0010.3.027	3-45	24	1	12.4030.0.002	3-29	27	1
12.0008.4.197	3-19	08	2	12.0010.3.027	3-45	26	2	12.5050.2.009	3-27	15	1
12.0008.4.207	3-37	30	5	12.0010.3.028	3-45	27	4	12.8000.0.040	3-37	36	1
12.0008.4.214	3-41	13	(1)	12.0010.3.029	3-45	22	1	12.8000.0.047	3-37	10	1
12.0008.4.216	3-39	50	1	12.0010.3.029	3-69	14	1	12.8000.0.048	3-61	12	1
12.0008.4.222	3-61	19	1	12.0010.3.030	3-45	08	1	12.8000.0.112	3-37	29	1
12.0008.4.225	3-63	11	1	12.0010.3.031	3-45	18	1	12.8000.0.158	3-39	55	1
12.0008.4.231	3-37	34	1	12.0010.3.031	3-45	21	1	12.8000.1.028	3-19	06	1
12.0008.4.279	3-3	38	1	12.0010.3.047	3-65	35	2				
12.0008.4.280	3-45	17	2	12.0010.3.061	3-65	20	1	17.0014.1.226	3-65	11	2
12.0008.4.280	3-45	32	1	12.0010.3.062	3-7	27	1	17.0019.0.441	3-35	03	(4)
12.0008.4.296	3-41	3	(1)	12.0010.4.025	3-63	20	1	17.0019.0.517	3-13	37	1
12.0008.4.366	3-37	31	1	12.0010.4.067	3-43	7	1	17.0019.2.057	3-13	25	1
12.0008.4.378	3-39	56	1	12.0010.4.071	3-43	5	0	17.0026.2.077	3-3	34	1
12.0008.4.403	3-37	17	1	12.0010.4.093	3-55	23	2	17.0026.2.077	3-67	16	1
12.0008.4.472	3-39	51	2	12.0010.4.094	3-37	19	3	17.0027.1.799	3-33	9	1
12.0008.4.563	3-37	09	1	12.0010.4.163	3-43	16	1	17.0027.4.083	3-65	15	1
12.0008.4.570	3-37	15	(4)	12.0010.4.168	3-43	13	1	17.0031.0.460	3-5	25	2
12.0008.4.598	3-27	35	1	12.0010.4.177	3-37	22	1	17.0031.0.460	3-7	24	2
12.0008.4.631	3-53	4	1	12.0010.4.249	3-43	15	1	17.0082.6.000	3-33	10	1
12.0008.4.631	3-61	8	1	12.0010.4.251	3-43	9	1	17.0082.8.017	3-3	35	2
12.0008.4.632	3-19	16*	1*	12.0010.4.253	3-37	23	1	17.0082.8.082	3-27	23	1
12.0008.4.664	3-43	11	2	12.0010.4.254	3-37	24	1	17.0094.0.200	3-35	13	(4)
12.0008.4.665	3-43	10	1	12.0010.4.255	3-43	14	1	17.0094.5.310	3-33	12	1
12.0008.4.679	3-37	16	(1)	12.0010.6.210	3-65	19	1	17.0095.1.272	3-35	04	(4)
12.0008.4.710	3-37	40	(3)	12.1010.2.003	3-27	33	1	17.0095.1.329	3-33	7	1
12.0008.4.742	3-53	8	1	12.1011.0.001	3-27	36	1	17.0097.5.174	3-65	36	1
12.0008.4.742	3-61	13	1	12.1014.0.004	3-51	21	1				
12.0008.4.777	3-35	24**	1**	12.1014.0.004	3-59	21	1	19.0014.7.003	3-37	8	(1)
12.0008.4.833	3-43	12	1	12.1016.1.000	3-35	7	(6)	19.0082.3.433	3-53	6	1
12.0008.4.835	3-39	47	1	12.1045.2.001	3-3	29	1	19.0082.3.433	3-61	4	1
12.0008.4.862	3-63	10	1	12.1045.2.001	3-29	36	1	19.0094.5.413	3-61	15	1
12.0008.4.885	3-37	33	1	12.1045.3.001	3-9	4	1				

INDEX

PART NUMBER	PAGE	DET	QTY	PART NUMBER	PAGE	DET	QTY	PART NUMBER	PAGE	DET	QTY
20.0092.0.004	3-9	2	1	22.0114.0.000	3-13	2	1	22.0353.0.000	3-15	48	3
20.0094.0.000	3-17	7	1	22.0115.0.000	3-29	43	1	22.0354.0.000	3-13	4	1
20.0094.0.000	3-71	03	1	22.0120.0.000	3-33	5	1	22.0400.0.000	3-11	23	1
				22.0121.0.000	3-13	3	1	22.0405.0.000	3-11	14	1
22.0006.0.000				22.0137.0.000	3-25	10	2	22.0408.1.000	3-29	09	1
22.0006.0.000	3-29	34	1	22.0143.0.000	3-29	06	4	22.0520.0.000	3-3	6	1
22.0008.0.000	3-21	2	1	22.0153.0.000	3-29	38	2	22.0525.0.000	3-3	16	(1)
22.0009.0.000	3-21	12	(1)	22.0159.0.000	3-5	20	1	22.0525.0.050	3-3	24	1
22.0009.0.050	3-21	28	1	22.0161.0.000	3-23	23	1	22.0530.0.000	3-3	10	1
22.0020.0.000	3-21	22	1	22.0164.0.000	3-5	16	1	22.0540.0.000	3-3	14	1
22.0021.0.000	3-15	47	1	22.0164.0.000	3-7	04	1	22.0541.0.000	3-3	13	1
22.0021.0.000	3-17	27	1	22.0173.0.000	3-5	02	2	22.0542.0.000	3-3	11	1
22.0022.0.000	3-15	55	1	22.0173.0.000	3-7	12	2	22.0545.0.000	3-3	25	1
22.0022.0.000	3-17	31	1	22.0175.0.000	3-3	27	1	22.0545.0.000	3-29	41	1
22.0024.0.000	3-17	22	1	22.0182.0.000	3-25	12	2	22.1010.0.000	3-19	04	2
22.0026.0.000	3-13	40	1	22.0183.0.000	3-13	39	1	22.1415.0.050	3-23	11	1
22.0027.0.000	3-21	19	1	22.0183.0.000	3-17	18	1	22.1422.0.000	3-27	22	1
22.0028.0.000	3-21	17	2	22.0183.0.000	3-21	7	1	22.1436.0.000	3-23	14	2
22.0029.0.000	3-21	15	2	22.0184.0.000	3-13	21	3	22.2425.0.050	3-17	19	1
22.0030.0.000	3-21	26	1	22.0186.0.000	3-13	27	1	22.2440.0.000	3-17	5	2
22.0031.0.000	3-15	51	2	22.0195.0.000	3-3	1	1	22.2442.0.000	3-17	2	2
22.0031.0.000	3-17	15	2					22.2610.0.000	3-25	14	1
22.0032.0.000	3-15	49	2	22.0208.0.000				22.2626.0.000	3-25	03	1
22.0046.0.000	3-23	16	1	22.0208.0.000	3-13	26	1	22.2627.0.000	3-25	02	2
22.0049.0.000	3-13	31	1	22.0209.0.000	3-71	04	1	22.2631.0.000	3-25	24	1
22.0054.0.000	3-27	6	1	22.0213.0.000	3-71	10	1	22.2633.0.000	3-25	23	1
22.0057.0.000	3-31	14	1	22.0214.0.000	3-21	10	1	22.2635.0.000	3-25	16	1
22.0058.0.000	3-27	8	1	22.0223.0.000	3-5	24	1	22.2637.0.000	3-25	22	1
22.0061.0.000	3-13	7	1	22.0223.0.000	3-7	22	1	22.2638.0.000	3-25	17	1
22.0062.0.000	3-27	11	1	22.0224.0.000	3-5	23	1	22.2639.0.000	3-25	18	1
22.0063.0.000	3-21	4	1	22.0224.0.000	3-7	23	1	22.2651.0.000	3-11	15	1
22.0064.0.000	3-17	16	1	22.0229.0.000	3-33	3	2	22.2652.0.000	3-11	4	1
22.0064.0.000	3-21	14	2	22.0230.0.000	3-3	8	2	22.2653.0.000	3-11	2	1
22.0069.0.000	3-21	21	1	22.0232.0.000	3-15	53	1	22.2655.0.000	3-11	18	1
22.0091.0.000	3-23	24	2	22.0232.0.000	3-17	24	1	22.2656.0.000	3-11	7	1
22.0097.0.000	3-25	13	1	22.0233.0.000	3-17	30	1	22.2657.0.000	3-11	6	1
22.0100.0.000	3-13	34	4	22.0239.0.000	3-3	9	2	22.2664.0.000	3-11	24	1
22.0100.0.000	3-17	20	3	22.0300.0.000	3-29	40	1	22.3028.0.000	3-5	12	1
22.0100.0.000	3-21	11	4	22.0305.0.000	3-13	35	1	22.3036.0.000	3-5	11	1*
22.0104.0.000	3-33	6	1	22.0309.0.000	3-13	20	(1)	22.3068.0.000	3-29	01	4
22.0105.0.000	3-17	29	1	22.0309.0.050	3-15	59	1	22.3219.0.000	3-29	18	1
22.0106.0.000	3-25	25	2	22.0312.0.000	3-13	6	1	22.6002.0.000	3-27	25	1
22.0107.0.000	3-33	13	1	22.0313.0.000	3-13	17	(1)	22.8400.0.000	3-29	39	1
22.0108.0.000	3-33	8	1	22.0315.0.000	3-13	22	1				
22.0110.0.000	3-15	54	1	22.0320.0.000	3-13	36	1	23.2106.0.000	3-17	9	1
22.0110.0.000	3-21	9	1	22.0336.0.000	3-13	44	1	23.2107.0.000	3-17	12	1

INDEX

PART NUMBER	PAGE	DET	QTY	PART NUMBER	PAGE	DET	QTY	PART NUMBER	PAGE	DET	QTY
24.0001.0.000				24.0097.0.000	3-41	7	(1)	24.2402.0.000	3-17	10	1
24.0001.0.000	3-3	33	1					24.2410.0.000	3-17	3	1
24.0002.0.000	3-3	28	1	24.0100.0.000				24.2607.0.000	3-25	01	1
24.0002.0.000	3-29	32	1	24.0100.0.000	3-3	36	1	24.2630.1.000	3-25	21	1
24.0003.0.000	3-9	6	1	24.0108.0.000	3-27	16	1	24.2640.3.050	3-25	26	1
24.0004.0.000	3-9	8	1	24.0111.0.000	3-19	01	1	24.2665.0.000	3-11	19	1
24.0005.0.000	3-9	10	1	24.0112.0.000	3-31	11	1	24.2666.0.000	3-25	28	1
24.0006.0.000	3-9	14	1	24.0117.1.000	3-45	30	1	24.3026.0.000	3-5	19	1
24.0009.0.000	3-23	9	1	24.0119.0.050	3-27	24	2	24.3026.1.000	3-7	30	1
24.0010.0.000	3-23	8	1	24.0122.0.000	3-29	07	1	24.3028.1.000	3-7	01	1
24.0011.0.000	3-23	5	1	24.0123.0.000	3-27	43	1	24.3029.0.000	3-5	28	2
24.0014.0.000	3-23	6	1	24.0126.0.000	3-13	5	1	24.3029.0.000	3-7	19	2
24.0016.0.000	3-27	32	1	24.0127.0.000	3-13	42	1	24.3034.0.000	3-5	15	1
24.0018.0.000	3-29	14	1	24.0139.0.000	3-33	2	1	24.3034.0.000	3-7	31	1
24.0019.0.000	3-29	29	1	24.0140.0.000	3-15	60	1	24.3054.0.000	3-29	02	2
24.0020.0.000	3-29	24	1	24.0141.0.000	3-33	1	1	24.3055.1.000	3-29	04	1
24.0023.0.000	3-17	28	1	24.0142.0.000	3-35	09**	(1)	24.3055.4.000	3-29	04	1
24.0024.0.000	3-71	06	1	24.0142.0.050	3-35	01**	1	24.3069.0.000	3-25	07	1
24.0027.0.000	3-29	42	1	24.0143.0.000	3-7	09	1	24.3070.1.000	3-25	06	1
24.0030.0.000	3-71	05	1	24.0148.0.000	3-37	12	1	24.3071.0.000	3-11	20	1
24.0033.0.000	3-21	25	1	24.0154.0.000	3-31	16	1	24.3072.0.000	3-11	13	1
24.0035.1.000	3-5	06	1	24.0155.0.000	3-19	04*	2*	24.3073.0.000	3-11	9	1
24.0035.2.000	3-7	11	1	24.0158.1.000	3-5	09	1	24.3074.0.000	3-11	8	1
24.0036.1.000	3-5	03	1	24.0158.2.000	3-7	06	1	24.3075.0.000	3-11	12	1
24.0036.2.000	3-7	28	1	24.0167.0.000	3-27	31	1	24.3076.1.000	3-25	05	1
24.0037.0.000	3-23	2	1	24.0168.0.000	3-37	04	(3)	24.3077.0.000	3-25	08	1
24.0038.0.000	3-19	05	1	24.0169.0.000	3-37	03	(1)	24.3079.0.000	3-71	29*	—
24.0039.1.000	3-23	13	1	24.0219.0.000	3-35	16	1	24.3080.0.000	3-71	30*	—
24.0044.0.000	3-27	19	1	24.0325.0.000	3-13	10	1	24.3092.0.000	3-25	33	2
24.0048.0.000	3-3	26	1	24.0351.0.000	3-13	9	1	24.4001.0.050	3-67	2	1
24.0049.0.000	3-13	14	2	24.0370.0.000	3-13	46	1	24.4001.0.050	3-69	1	1
24.0050.0.000	3-45	29	1	24.0500.0.000	3-3	19	1	24.4002.0.000	3-69	6	1
24.0051.0.066	3-29	16	1	24.0510.0.000	3-3	3	1	24.4003.0.000	3-69	5	1
24.0055.0.000	3-21	3	1	24.0535.0.100	3-3	30	1	24.4004.0.000	3-67	1	1
24.0059.9.017	3-39	52	1	24.0537.0.000	3-3	40	(1)	24.4004.0.000	3-69	3	1
24.0059.9.069	3-37	21	1	24.0546.0.000	3-3	39	1	24.4005.1.000	3-51	1	1
24.0061.0.000	3-23	28	1	24.0546.0.000	3-27	39	1	24.4006.1.000	3-51	2	1
24.0062.0.000	3-23	21	1	24.0546.0.000	3-55	27	1	24.4006.2.000	3-59	2	1
24.0063.1.000	3-23	25	1	24.0546.0.000	3-63	30	1	24.4007.1.000	3-51	3	1
24.0066.0.000	3-17	13	2	24.1000.0.000	3-29	28	1	24.4007.2.000	3-59	3	1
24.0067.0.000	3-31	03	1	24.1430.1.000	3-23	20	1	24.4008.0.000	3-51	18	1
24.0068.0.000	3-31	02	1	24.2035.0.000	3-13	29	1	24.4008.1.000	3-59	18	1
24.0069.9.009	3-41	1	1					24.4009.0.000	3-51	8	1
24.0069.9.063	3-35	11	1	24.2400.0.000				24.4009.1.000	3-59	8	1
24.0080.0.000	3-9	5	1	24.2400.0.000	3-29	35	1	24.4010.0.000	3-51	13	1
24.0093.2.004	3-9	1	1	24.2401.0.000	3-17	8	1	24.4010.0.000	3-59	13	1

INDEX

PART NUMBER	PAGE	DET	QTY	PART NUMBER	PAGE	DET	QTY	PART NUMBER	PAGE	DET	QTY
24.4011.0.000	3-51	10	1	24.4078.0.000	3-63	8	1				
24.4011.0.000	3-59	10	1	24.4079.0.000	3-65	17	2				
24.4013.0.000	3-51	7	1	24.4080.2.000	3-65	2	1				
24.4013.0.000	3-59	7	1	24.4081.0.000	3-55	10	1				
24.4014.0.000	3-51	14	1	24.4081.0.000	3-63	27	1				
24.4014.0.000	3-59	14	1	24.4082.0.000	3-55	25	2				
24.4015.1.000	3-51	15	1	24.4082.0.000	3-63	28	2				
24.4015.2.000	3-59	15	1	24.4084.0.000	3-65	12	1				
24.4016.0.000	3-51	5	1	24.4085.0.000	3-65	6	1				
24.4016.0.000	3-59	5	1	24.4086.1.000	3-65	3	1				
24.4017.1.000	3-51	9	1	24.4087.0.000	3-49	1	2				
24.4017.2.000	3-59	9	1	24.4088.0.000	3-53	14	1				
24.4018.0.000	3-5	29	1*	24.4089.0.000	3-63	23	1				
24.4018.1.000	3-7	20	1	24.4090.0.000	3-25	30	1				
24.4019.0.000	3-51	27	1	24.4091.0.000	3-11	28	1				
24.4019.0.000	3-59	27	1	24.4091.0.000	3-29	44	1				
				24.4092.0.000	3-67	14	1				
24.4026.1.000				24.4093.0.000	3-67	10	1				
24.4026.1.000	3-49	6	1	24.4094.0.000	3-67	9	1				
24.4027.0.000	3-49	8	1	24.4096.0.000	3-65	23	1				
24.4028.1.000	3-25	29	1	24.4097.0.000	3-65	26	1				
24.4028.1.000	3-49	9	1	24.4098.0.000	3-65	21	1				
24.4029.1.000	3-57	11	1	24.4099.0.000	3-65	32	2				
24.4029.3.000	3-65	31	1	24.4100.0.000	3-65	33	1				
24.4030.0.000	3-65	16	2	24.4101.0.000	3-59	1	1				
24.4032.1.000	3-65	5	1	24.4103.0.000	3-7	02	1				
24.4059.3.000	3-47	3	1	24.4104.0.000	3-61	20	1				
24.4060.1.050	3-53	1	1	24.6000.5.000	3-27	4	1				
24.4060.3.050	3-61	1	1	24.6001.2.000	3-31	10	1				
24.4061.1.600	3-55	2	1	24.6003.0.000	3-31	13	1				
24.4061.2.000	3-63	3	1	24.6004.1.001	3-31	06	1				
24.4062.1.000	3-55	6	1	24.6005.1.002	3-19	13	1				
24.4062.3.000	3-63	7	1	24.6100.1.000	3-29	10	1				
24.4063.2.000	3-65	4	1	24.8001.2.001	3-43	6	1				
24.4064.2.000	3-57	1	1	24.8001.2.005	3-43	4	0				
24.4064.3.000	3-65	1	1	24.8001.2.013	3-37	2	(1)				
24.4065.1.000	3-55	9	1								
24.4065.2.000	3-63	26	1	70.4165.1.125	3-39	53	1				
24.4067.1.000	3-49	4	1								
24.4074.0.000	3-57	4	1	84.0005.7.135	3-35	25*	(1)				
24.4075.0.000	3-55	17	1								
24.4075.2.000	3-63	18	1								
24.4076.0.000	3-55	13	1								
24.4077.1.000	3-57	2	1								
24.4077.3.000	3-65	14	1								
24.4078.0.000	3-55	15	1								

