

**TABLE OF CONTENTS PARTS**

---

|   |      |
|---|------|
| COVERS AND BASE ASSEMBLY .....                      | 3-2  |
| HEAD, CAM CASE AND BEDPLATE SUPPORT .....           | 3-4  |
| L. H. CRANK AND R. H. BELT PULLEY .....             | 3-6  |
| MAIN STITCH SHAFT .....                             | 3-8  |
| BITE ADJUSTMENTS AND BARREL .....                   | 3-10 |
| NEEDLE BAR DRIVE .....                              | 3-12 |
| NEEDLE BAR AND GEAR .....                           | 3-14 |
| STITCH SHAFT AND DRIVE .....                        | 3-16 |
| LOOPER AND SPREADER DRIVE .....                     | 3-18 |
| RIGHT & LEFT LOOPERS/SPREADERS/SPREADER STOPS ..... | 3-20 |
| RACE .....  | 3-22 |
| STITCH FEED .....                                   | 3-24 |
| BOTTOM SHAFT ASSEMBLY .....                         | 3-26 |
| MAIN CAM AND BRAKE BAND .....                       | 3-28 |
| SECTOR SHAFT AND GUARD .....                        | 3-30 |
| CUTTING LEVER ASSEMBLY .....                        | 3-32 |
| LATERAL CAM SHAFT ASSEMBLY .....                    | 3-34 |
| CAM .....   | 3-36 |
| BEDPLATE ASSEMBLY .....                             | 3-38 |
| CLAMPING .....                                      | 3-40 |
| CLAMPING RH - CT .....                              | 3-42 |
| CLAMPING LH - CT .....                              | 3-44 |
| CLAMPING LH - AF .....                              | 3-46 |
| CLAMPING RH - AF .....                              | 3-48 |
| PNEUMATIC CLAMPING .....                            | 3-50 |
| THREAD RELEASE .....                                | 3-52 |
| THREAD PICK-UP .....                                | 3-54 |
| WIRE MANAGEMENT .....                               | 3-56 |
| REGULAR TABLE .....                                 | 3-58 |
| PARALLEL TABLE .....                                | 3-60 |
| TOOLS / ACCESSORIES .....                           | 3-62 |
| ACCESSORIES - CT .....                              | 3-64 |
| ACCESSORIES - AF .....                              | 3-66 |
| THREAD RELEASE - JEANS .....                        | 3-68 |
| SHORT TRAVEL - MAIN CAM AND BRAKE BAND .....        | 3-70 |
| SHORT TRAVEL - CUTTING LEVER ASSEMBLY .....         | 3-72 |
| SHORT TRAVEL - CLAMPING LH - CT .....               | 3-74 |
| SHORT TRAVEL - CLAMPING RH - CT .....               | 3-76 |
| SHORT TRAVEL - PNEUMATIC - CT .....                 | 3-78 |
| SHORT TRAVEL - TOOLS / ACCESSORIES .....            | 3-80 |
| ELECTRICAL BOX .....                                | 3-82 |
| SPECIAL ACCESSORIES .....                           | 3-84 |

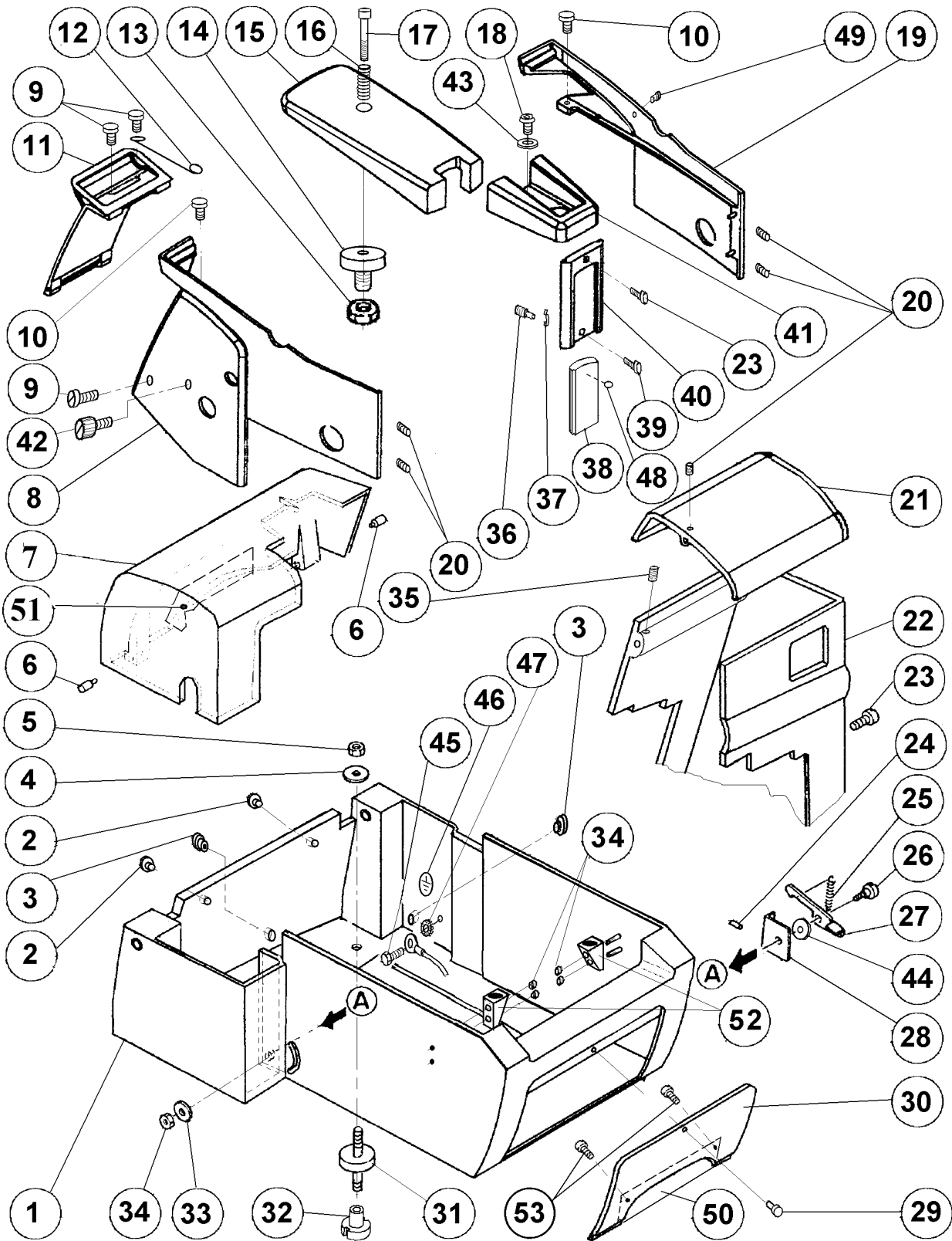
Revised 08/2003

e-mail: [service@amfreece.cz](mailto:service@amfreece.cz); [parts@amfreece.cz](mailto:parts@amfreece.cz); website: [www.amfreece.com](http://www.amfreece.com)

Phones: +420 582 309 160 (Service), +420 582 309 189 (343) (Spare Parts); Fax: +420 582 360 606

[www.promelectroavtomat.ru](http://www.promelectroavtomat.ru)

**COVERS AND BASE ASSEMBLY**



**COVERS AND BASE ASSEMBLY**

| DET | PART NUMBER   | DESCRIPTION         | DET | PART NUMBER   | DESCRIPTION         |
|-----|---------------|---------------------|-----|---------------|---------------------|
| 01  | 18.0072.4.400 | Machine Box         | 28  | 18.0083.6.615 | Bracket             |
| 02  | 17.0094.0.029 | Stop                | 29  | 08.6000.4.008 | Screw M4x8          |
| 03  | 17.0042.1.279 | Thread Guide        | 30  | 18.0074.6.201 | Front Cover         |
| 04  | 17.0019.0.441 | Washer              | 31  | 18.0095.1.402 | Ring Mount          |
| 05  | 08.6700.8.000 | Nut M8              | 32  | 08.6742.8.000 | Nut                 |
| 06  | 18.0033.1.402 | Screw               | 33  | 08.6850.6.000 | Washer              |
| 07  | 18.0074.6.200 | Cover               | 34  | 08.6700.6.000 | Nut                 |
| 08  | 18.0074.6.205 | L.H.Cover           | 35  | 08.6400.3.006 | Screw M3x6          |
| 09  | 08.6000.4.012 | Screw M4x12         | 36  | 18.0011.3.401 | Screw               |
| 10  | 08.6000.4.016 | Screw M4x16         | 37  | 18.0028.3.400 | Spring              |
| 11  | 18.0074.6.206 | Arm Cover           | 38  | 18.0095.4.400 | Plastic Guard Cover |
| 12  | 17.0027.1.463 | Thread Guide        | 39  | 08.6200.4.008 | Screw M4x10         |
| 13  | 18.0016.1.288 | Nut M12x1           | 40  | 18.0074.6.203 | Front Cover         |
| 14  | 18.0015.6.400 | Screw               | 41  | 18.0074.6.210 | Upper Fixed Cover   |
| 15  | 18.0074.6.209 | Upper Fixed Cover   | 42  | 22.0124.0.000 | Screw               |
| 16  | 17.0026.0.216 | Spring              | 43  | 08.6850.4.000 | Washer              |
| 17  | 08.6000.5.050 | Screw M5x50         | 44  | 17.0044.1.211 | Washer              |
| 18  | 08.6200.4.012 | Screw M4x12         | 45  | 08.6312.5.010 | Screw               |
| 19  | 18.0074.6.204 | R.H.Cover           | 46  | 08.6852.5.000 | Label (Ground)      |
| 20  | 08.6400.3.005 | Screw M3x5          | 47  | 12.0008.4.052 | Washer              |
| 21  | 18.0074.6.207 | Stitch Drive Cover  | 48  | 12.0008.6.915 | Holder              |
| 22  | 18.0075.4.020 | Control Panel Cover | 49  | 17.0042.1.332 | Bushing             |
| 23  | 08.6000.4.010 | Screw M4x10         | 50  | 18.0083.1.662 | Sheet               |
| 24  | 17.0032.2.030 | Pin                 | 51  | 18.0083.1.663 | Sheet               |
| 25  | 17.0026.3.231 | Spring              | 52  | 18.0064.6.471 | Block               |
| 26  | 08.6000.6.030 | Screw               | 53  | 17.0012.4.105 | Screw               |
| 27  | 18.0081.0.503 | Lever               | 54  |               |                     |

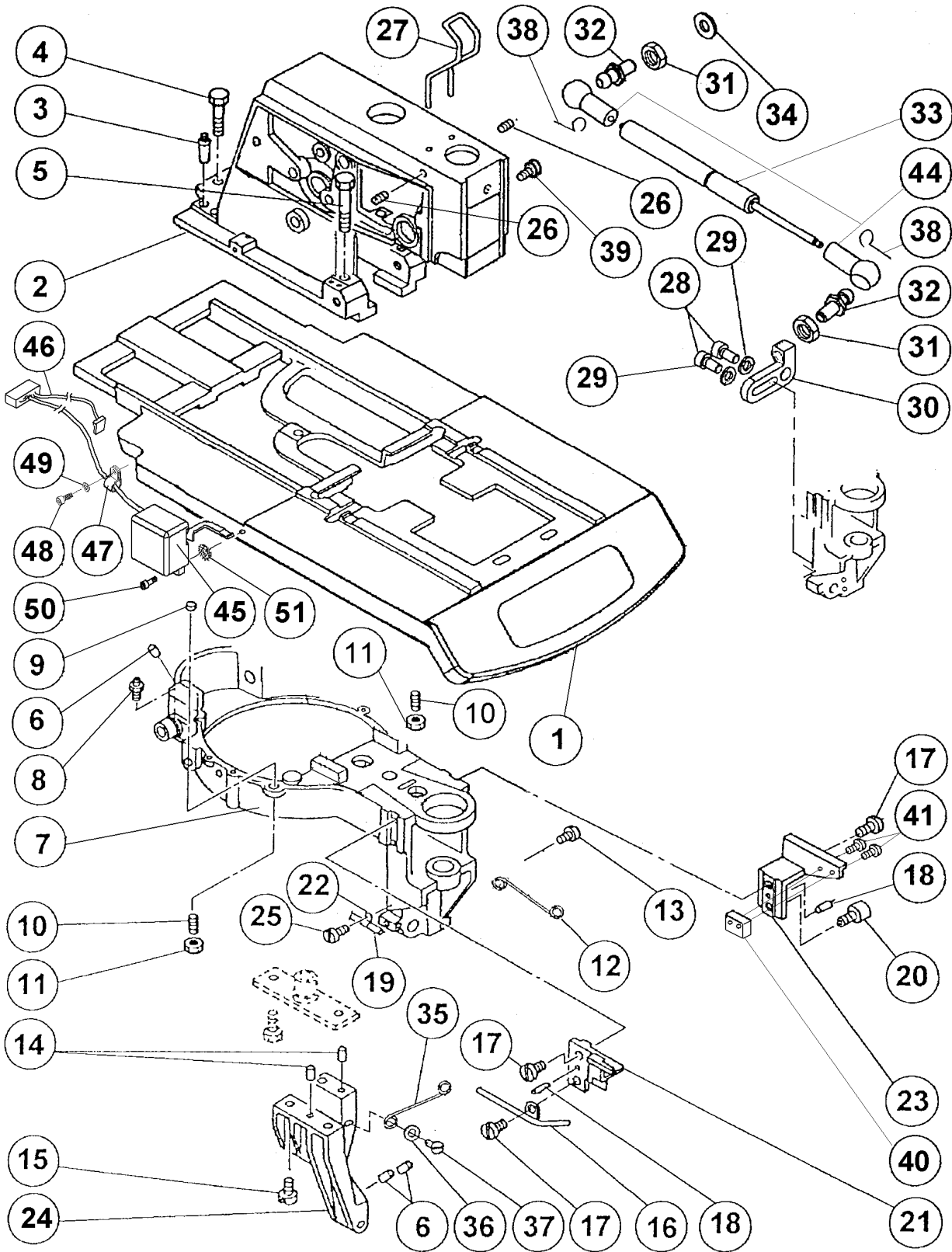
Revised 08/2003

e-mail: [service@amfreece.cz](mailto:service@amfreece.cz); [parts@amfreece.cz](mailto:parts@amfreece.cz); website: [www.amfreece.com](http://www.amfreece.com)

Phones: +420 582 309 160 (Service), +420 582 309 189 (343) (Spare Parts); Fax: +420 582 360 606

[www.promelectroavtomat.ru](http://www.promelectroavtomat.ru)

**HEAD, CAM CASE AND BEDPLATE SUPPORT**



**HEAD, CAM CASE AND BEDPLATE SUPPORT**

| DET | PART NUMBER   | DESCRIPTION  | DET | PART NUMBER   | DESCRIPTION                | QTY. |
|-----|---------------|--------------|-----|---------------|----------------------------|------|
| 01  | 18.0071.4.200 | Bedplate     | 28  | 08.6000.6.012 | Screw                      |      |
| 02  | 18.0071.3.159 | Arm          | 29  | 08.6800.6.000 | Spring Washer              |      |
| 03  | 17.0031.2.013 | Pin          | 30  | 18.0064.8.404 | Bracket                    |      |
| 04  | 17.0014.1.243 | Screw        | 31  | 08.6700.8.000 | Nut                        |      |
| 05  | 17.0014.1.244 | Screw        | 32  | 18.0014.7.000 | Fitting                    |      |
| 06  | 17.0094.5.052 | Felt         | 33  | 07.6481.0.014 | Hydraulic Damper           |      |
| 07  | 18.0071.0.200 | Base         | 34  | 08.6850.8.000 | Washer                     |      |
| 08  | 17.0044.1.443 | Screw        | 35  | 17.0027.1.463 | Thread Guide               |      |
| 09  | 17.0019.2.021 | Dog          | 36  | 08.6850.4.000 | Washer                     |      |
| 10  | 17.0011.1.079 | Screw        | 37  | 08.6010.4.012 | Screw                      |      |
| 11  | 17.0016.1.190 | Nut          | 38  | 07.0087.0.001 | Safety Clip                |      |
| 12  | 17.0027.1.463 | Tubing       | 39  | 17.0013.1.415 | Screw                      |      |
| 13  | 17.0012.0.217 | Screw        | 40  | 18.0064.6.470 | Block                      |      |
| 14  | 17.0031.7.039 | Pin          | 41  | 08.6000.6.020 | Screw                      |      |
| 15  | 08.6000.6.016 | Screw        | 42  |               |                            |      |
| 16  | 18.0002.5.404 | Tubing       | 43  |               |                            |      |
| 17  | 17.0012.0.124 | Screw        | 44  | 07.0087.0.000 | Ball Socket                |      |
| 18  | 17.0031.0.433 | Pin          | 45  | 18.0007.8.403 | Start Switch               |      |
| 19  | 17.0084.0.266 | Thread Guide | 46  | 18.0007.9.509 | Start Switch Cable         |      |
| 20  | 18.0014.6.403 | Screw        | 47  | 12.0008.4.277 | Cord Clamp                 |      |
| 21  | 17.0074.4.407 | Block        | 48  | 08.6200.4.006 | Screw                      |      |
| 22  | 17.0082.6.000 | Clamp        | 49  | 08.6852.4.000 | Washer                     |      |
| 23  | 18.0074.4.510 | Arm          | 50  | 08.6000.6.016 | Screw                      |      |
| 24  | 17.0074.4.411 | Arm          | 51  | 08.6832.6.000 | Washer                     |      |
| 25  | 08.6010.3.006 | Screw        | 52  | 12.0008.4.263 | Sleepe Snap                |      |
| 26  | 08.6400.4.008 | Screw        | 53  | 18.0000.4.041 | Start Switch Complete Asm. |      |
| 27  | 17.0027.1.419 | Guard        | 54  |               |                            |      |

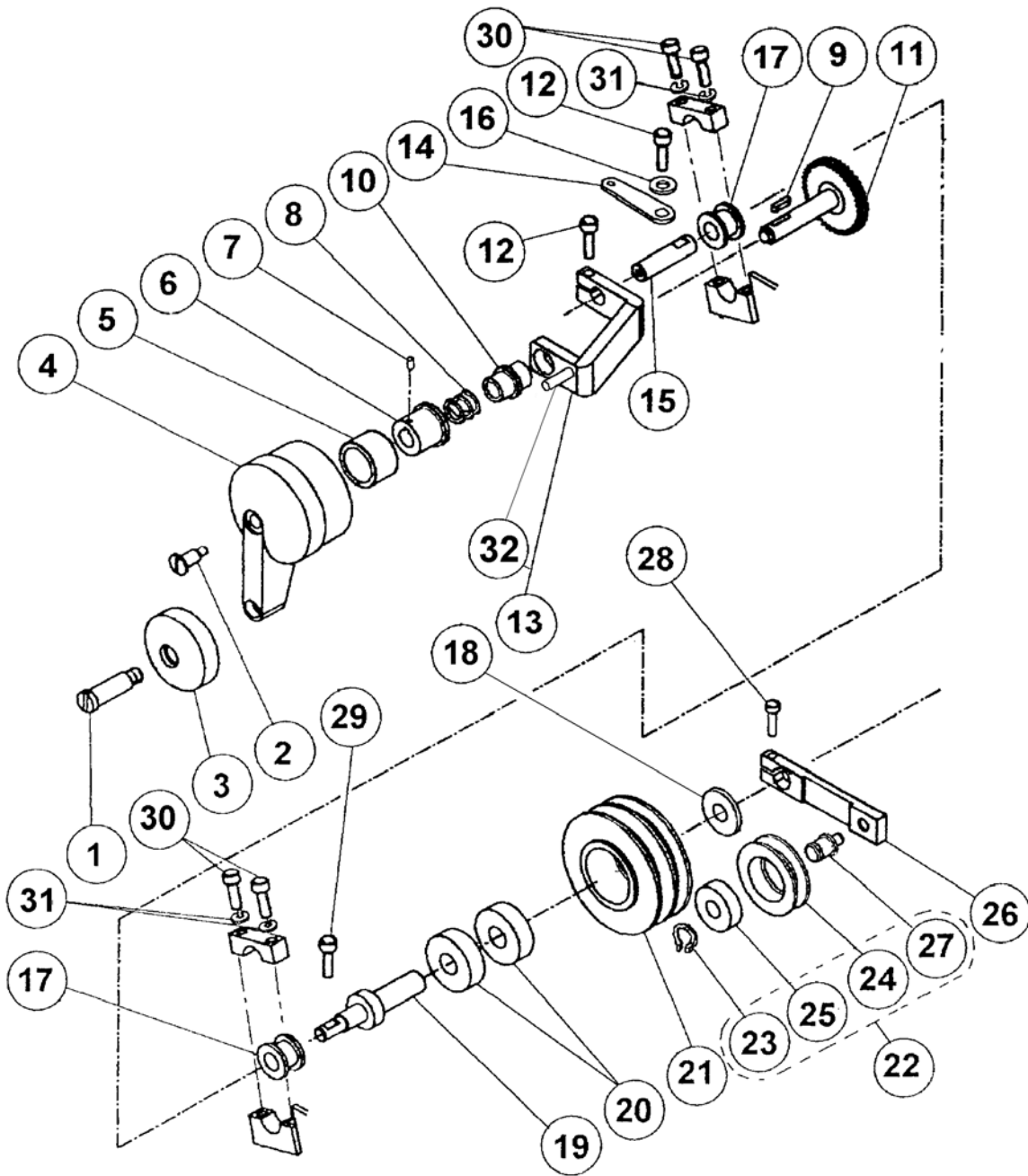
Revised 08/2003

e-mail: [service@amfreece.cz](mailto:service@amfreece.cz) ; [parts@amfreece.cz](mailto:parts@amfreece.cz); website: [www.amfreece.com](http://www.amfreece.com)

Phones: +420 582 309 160 (Service), +420 582 309 189 (343) (Spare Parts) ; Fax: +420 582 360 606

[www.promelectroavtomat.ru](http://www.promelectroavtomat.ru)

**L. H. CRANK AND R. H. BELT PULLEY**



**L. H. CRANK AND R. H. BELT PULLEY**

| DET | PART NUMBER   | DESCRIPTION           |
|-----|---------------|-----------------------|
| 01  | 17.0013.1.343 | Screw                 |
| 02  | 18.0013.1.481 | Pin                   |
| 03  | 18.0023.0.400 | Crank                 |
| 04  | 18.0062.1.400 | Hand Crank            |
| 05  | 17.0002.4.140 | Feed Clutch           |
| 06  | 17.0042.5.256 | Collar                |
| 07  | 17.0031.0.480 | Pin                   |
| 08  | 17.0026.0.481 | Spring                |
| 09  | 17.0021.1.068 | Key                   |
| 10  | 17.0042.4.120 | Bushing               |
| 11  | 17.0055.1.153 | Gear Wheel            |
| 12  | 08.6310.5.018 | Screw                 |
| 13  | 18.0074.4.521 | Holder-Manual Feeding |
| 14  | 17.0082.6.403 | Spring Holder         |
| 15  | 18.0031.8.401 | L.H. Pin              |
| 16  | 08.6800.5.000 | Spring Washer         |
| 17  | 18.0095.1.271 | Bushing               |
| 18  | 18.0041.0.676 | Collar                |
| 19  | 18.0032.2.350 | Pin                   |
| 20  | 12.2010.0.005 | Bearing               |
| 21  | 18.0052.1.400 | Pulley                |
| 22  | 18.0004.3.251 | Idler Pulley          |
| 23  | 17.0027.4.085 | Lock Washer           |
| 24  | 18.0052.0.274 | Idler Pulley          |
| 25  | 12.2010.0.004 | Bearing               |
| 26  | 18.0061.3.350 | Idler Pulley Lever    |
| 27  | 18.0032.3.198 | Idler Pulley Pin      |
| 28  | 08.6000.4.016 | Screw                 |
| 29  | 08.6000.5.012 | Screw                 |
| 30  | 08.6000.5.016 | Screw                 |
| 31  | 08.6800.5.000 | Spring Washer         |
| 32  | 18.0014.6.406 | Pin                   |

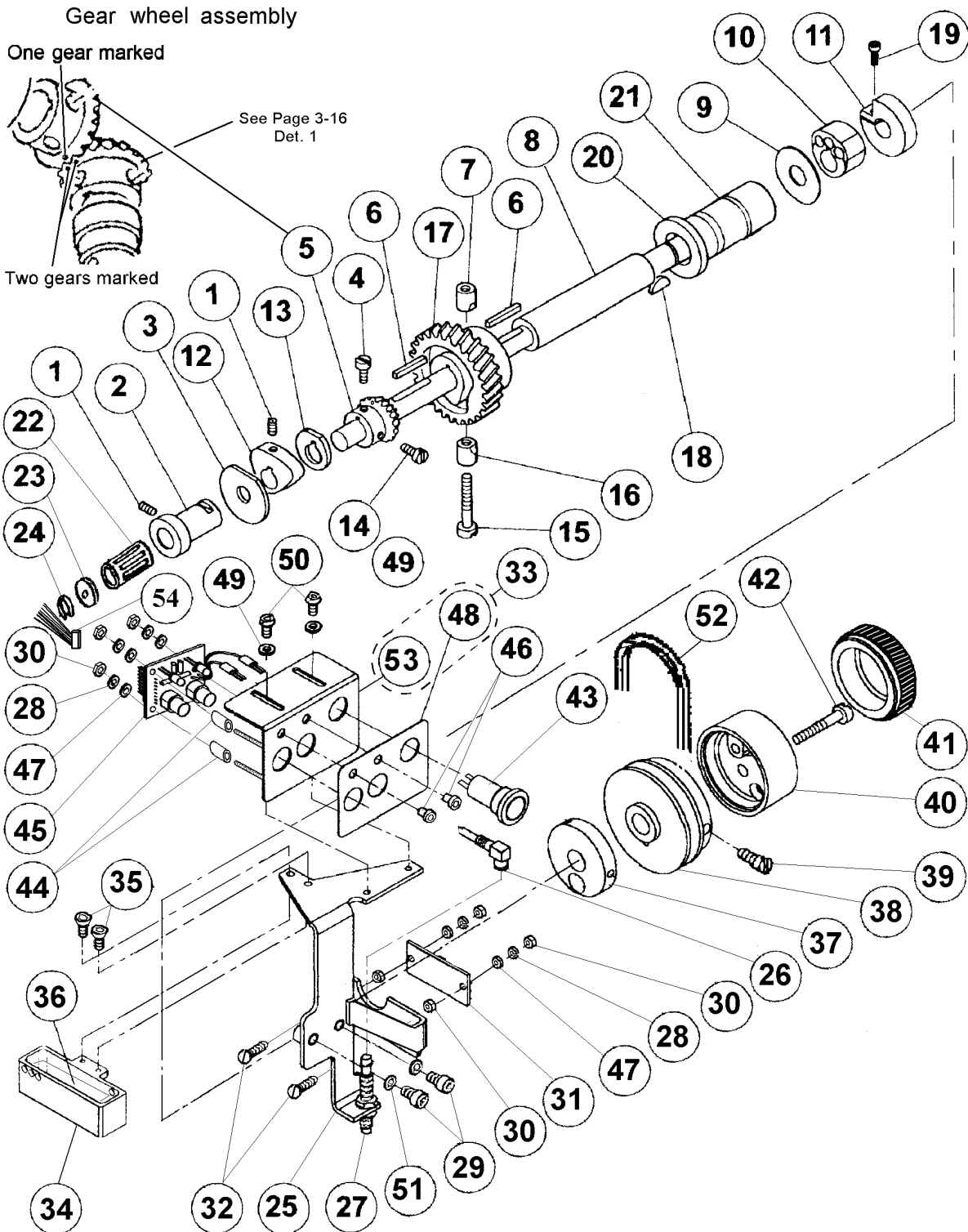
Revised 08/2003

e-mail: [service@amfreece.cz](mailto:service@amfreece.cz); [parts@amfreece.cz](mailto:parts@amfreece.cz); website: [www.amfreece.com](http://www.amfreece.com)

Phones: +420 582 309 160 (Service), +420 582 309 189 (343) (Spare Parts); Fax: +420 582 360 606

[www.promelectroavtomat.ru](http://www.promelectroavtomat.ru)

**MAIN STITCH SHAFT**



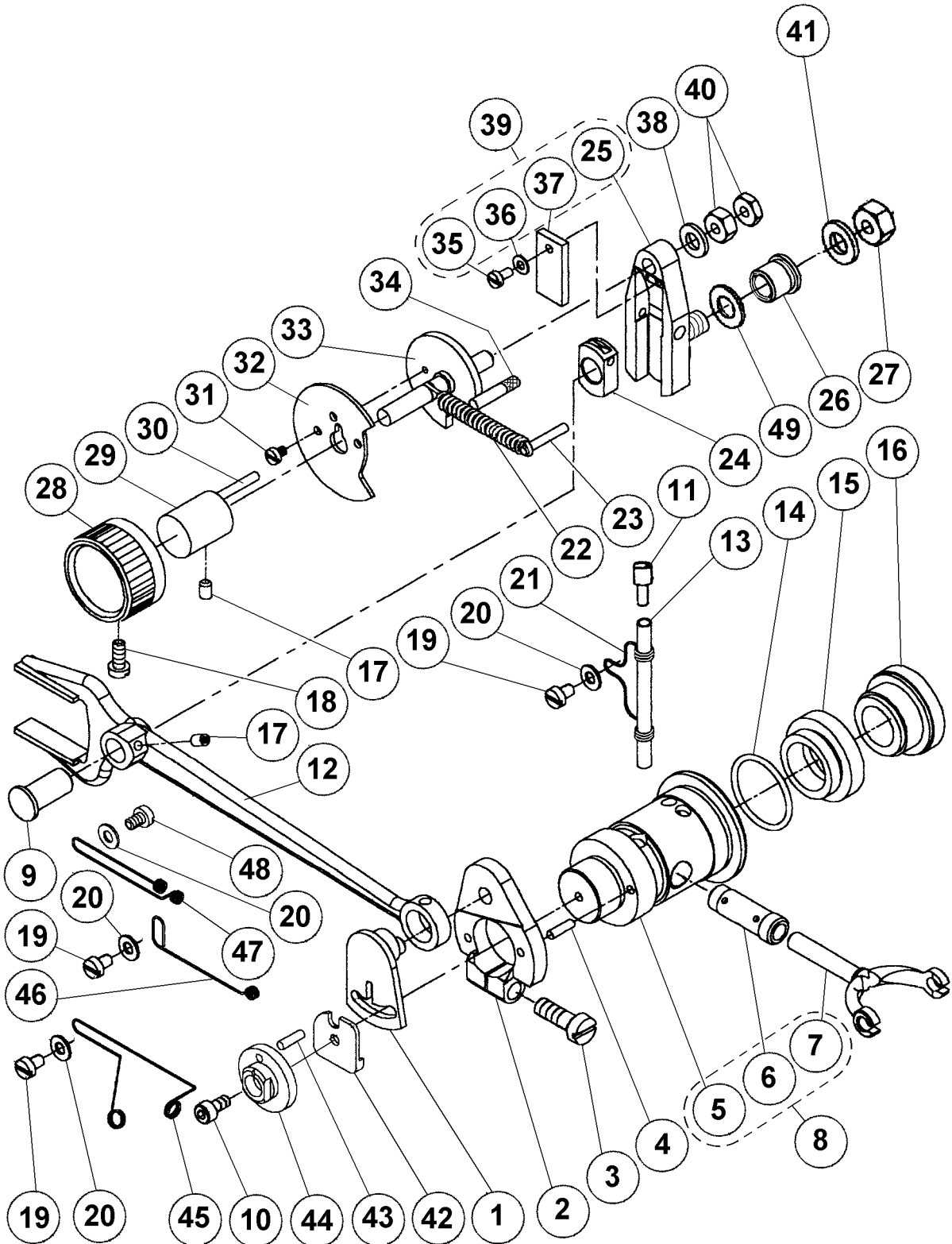


**MAIN STITCH SHAFT**

| DET  | PART NUMBER   | DESCRIPTION      | DET | PART NUMBER   | DESCRIPTION                          |
|------|---------------|------------------|-----|---------------|--------------------------------------|
| 01   | 17.0011.1.234 | Screw            | 28  | 08.6802.3.000 | Washer                               |
| 02   | 18.0042.2.183 | Shaft Bushing    | 29  | 17.0012.1.172 | Screw                                |
| 03   | 17.0081.4.376 | Washer           | 30  | 08.6702.3.000 | Nut                                  |
| 04   | 17.0013.2.119 | Screw            | 31  | 12.0008.4.266 | Synchronizer Board                   |
| * 05 | 18.0056.2.117 | Gear             | 32  | 08.6132.3.012 | Screw                                |
| 06   | 17.0021.1.070 | Key              | 33  | 18.0002.9.002 | Operator Control Panel               |
| 07   | 17.0043.1.011 | Roll             | 34  | 17.0071.0.104 | Oil Reservoir                        |
| 08   | 17.0034.9.201 | Shaft            | 35  | 17.0012.6.066 | Screw                                |
| 09   | 17.0019.0.605 | Washer           | 36  | 17.0094.5.314 | Felt                                 |
| 10   | 17.0067.2.411 | Vibrator Cam     | 37  | 12.0008.6.400 | Magnet Disk Asm.                     |
| 11   | 17.0043.6.280 | Clamp Collar     | 38  | 18.0052.0.500 | Pulley                               |
| 12   | 17.0067.2.098 | Counterweight    | 39  | 18.0011.3.400 | Screw                                |
| 13   | 17.0081.8.377 | Washer           | 40  | 18.0051.0.400 | Hand Grip                            |
| 14   | 17.0013.2.120 | Screw            | 41  | 18.0093.2.400 | Hand Grip                            |
| 15   | 17.0012.0.114 | Screw            | 42  | 08.6100.6.035 | Screw                                |
| 16   | 17.0041.0.232 | Bushing          | 43  | 12.0008.4.185 | Emergency Stop                       |
| 17   | 17.0055.2.172 | Gear             | 44  | 12.0008.4.254 | Spacer                               |
| 18   | 17.0021.1.045 | Key              | 45  | 18.0005.2.207 | Switch Panel                         |
| 19   | 08.6000.5.012 | Screw            | 46  | 12.0008.4.475 | LED Holder                           |
| 20   | 17.0042.5.280 | Bushing          | 47  | 08.6852.3.000 | Washer                               |
| 21   | 12.2050.1.001 | Bearing          | 48  | 18.0097.5.400 | Label                                |
| 22   | 12.2050.0.001 | Bearing          | 49  | 08.6800.4.000 | Spring Washer                        |
| 23   | 18.0044.1.213 | Shim             | 50  | 08.6200.4.006 | Screw                                |
| 24   | 12.1040.1.000 | U-Clip           | 51  | 08.6800.6.000 | Spring Washer                        |
| 25   | 18.0082.6.400 | Sensor Holder    | 52  | 12.5050.1.008 | V-Belt                               |
| 26   | 12.0008.4.265 | Sensor Cable     | 53  | -----         | Part Off Assembly Only 18.0002.9.002 |
| 27   | 07.9014.0.000 | Proximity Sensor | 54  | 18.0007.9.503 | Cable of the Control Panel           |

**\*Note:** This gear is marked for correct orientation with mating gear (18.0056.2.118), see Gear Wheel Asm., Details 1 and 20 on page 3-16.

## BITE ADJUSTMENTS AND BARREL



**BITE ADJUSTMENTS AND BARREL**

| DET | PART NUMBER   | DESCRIPTION   | DET | PART NUMBER   | DESCRIPTION          |
|-----|---------------|---------------|-----|---------------|----------------------|
| 01  | 18.0033.8.400 | Eccentric     | 26  | 18.0042.5.405 | Bearing              |
| 02  | 17.0063.6.304 | Clamp         | 27  | 17.0016.1.190 | Nut                  |
| 03  | 17.0012.1.169 | Screw         | 28  | 18.0044.2.641 | Knob                 |
| 04  | 17.0031.0.425 | Pin           | 29  | 18.0031.8.402 | Knob Pin             |
| 05  | 17.0041.5.033 | Barrel        | 30  | 17.0031.0.428 | Pin                  |
| 06  | 17.0042.5.323 | Bushing       | 31  | 17.0012.0.215 | Screw                |
| 07  | 17.0063.4.172 | Yoke Fork     | 32  | 17.0081.4.313 | Limiter              |
| 08  | 17.0003.5.431 | Yoke Assembly | 33  | 17.0004.9.858 | Eccentric            |
| 09  | 17.0032.0.194 | Stud          | 34  | 18.0031.3.401 | Pin                  |
| 10  | 17.0012.1.401 | Screw         | 35  | 17.0012.0.328 | Screw                |
| 11  | 17.0042.1.282 | Bushing       | 36  | 08.6850.3.000 | Washer               |
| 12  | 17.0063.4.169 | Fork Lever    | 37  | 18.0094.5.319 | Felt                 |
| 13  | 17.0094.2.092 | Tubing        | 38  | 17.0019.2.061 | Curved Spring Washer |
| 14  | 18.0094.1.103 | Rubber Roller | 39  | 18.0002.6.089 | Bracket Assembly     |
| 15  | 18.0042.7.400 | Knob Pin      | 40  | 17.0016.1.140 | Nut                  |
| 16  | 18.0095.1.401 | Wheel         | 41  | 18.0019.0.690 | Washer               |
| 17  | 08.6400.4.005 | Screw         | 42  | 17.0081.4.295 | Misalignment Limiter |
| 18  | 08.6000.4.005 | Screw         | 43  | 17.0031.0.351 | Pin                  |
| 19  | 17.0012.0.217 | Screw         | 44  | 18.0044.1.621 | Flange               |
| 20  | 08.6850.4.000 | Washer        | 45  | 17.0027.1.413 | Wick Guide           |
| 21  | 17.0027.1.799 | Spring        | 46  | 17.0027.1.411 | Wick Guide           |
| 22  | 17.0026.3.123 | Spring        | 47  | 17.0027.1.412 | Wick Guide           |
| 23  | 17.0031.0.199 | Pin           | 48  | 08.6310.4.006 | Screw                |
| 24  | 17.0045.1.099 | Block         | 49  | 18.0019.0.689 | Washer               |
| 25  | 18.0064.1.100 | Bracket       | 50  |               |                      |

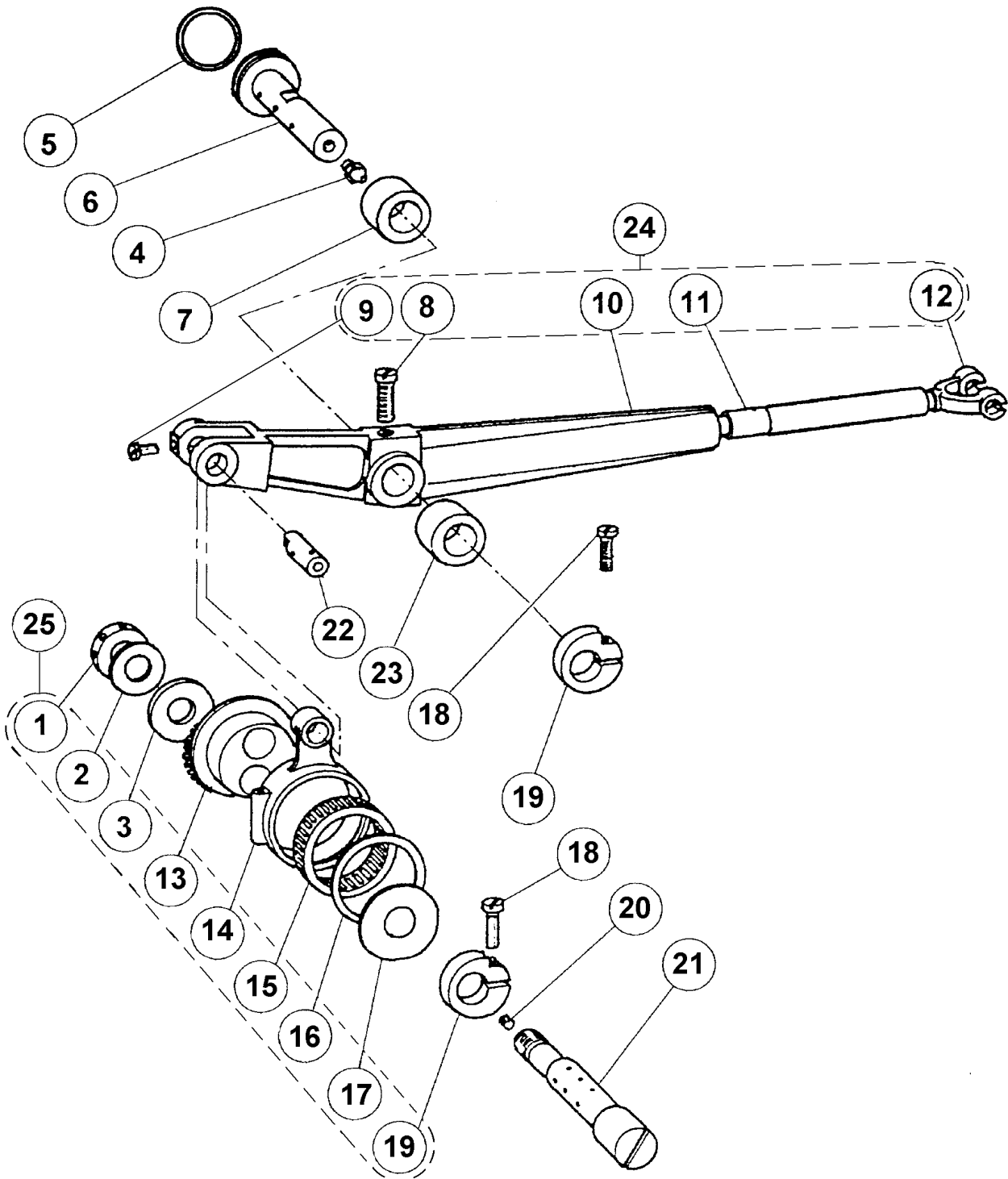
Revised 08/2003

e-mail: [service@amfreece.cz](mailto:service@amfreece.cz); [parts@amfreece.cz](mailto:parts@amfreece.cz); website: [www.amfreece.com](http://www.amfreece.com)

Phones: +420 582 309 160 (Service), +420 582 309 189 (343) (Spare Parts); Fax: +420 582 360 606

[www.promelectroavtomat.ru](http://www.promelectroavtomat.ru)

**NEEDLE BAR DRIVE**



## NEEDLE BAR DRIVE

---

| DET | PART NUMBER   | DESCRIPTION               |
|-----|---------------|---------------------------|
| 01  | 17.0017.4.058 | Nut                       |
| 02  | 17.0019.0.371 | Washer                    |
| 03  | 17.0019.0.225 | Washer                    |
| 04  | 17.0004.7.242 | Screw                     |
| 05  | 18.0094.1.103 | Rubber Roller             |
| 06  | 17.0033.0.057 | Pin                       |
| 07  | 17.0041.0.551 | Roll                      |
| 08  | 17.0012.2.031 | Screw                     |
| 09  | 17.0012.0.290 | Screw                     |
| 10  | 17.0063.6.257 | Needle Bar Lever          |
| 11  | 17.0041.2.160 | Bushing                   |
| 12  | 17.0063.4.166 | Yoke                      |
| 13  | 17.0003.5.475 | Eccentric                 |
| 14  | 17.0063.0.253 | Rick Link                 |
| 15  | 12.2050.0.000 | Bearing                   |
| 16  | 17.0019.2.077 | Washer                    |
| 17  | 17.0081.4.375 | Washer                    |
| 18  | 17.0012.0.543 | Screw                     |
| 19  | 17.0043.6.351 | Clamp                     |
| 20  | 17.0011.1.230 | Screw                     |
| 21  | 17.0033.5.127 | Shaft Eccentric           |
| 22  | 17.0031.4.205 | Stud                      |
| 23  | 17.0041.0.548 | Roll                      |
| 24  | 17.0004.4.797 | Needle Bar Lever Assembly |
| 25  | 17.0003.5.479 | Needle Drive Bearing Asm. |

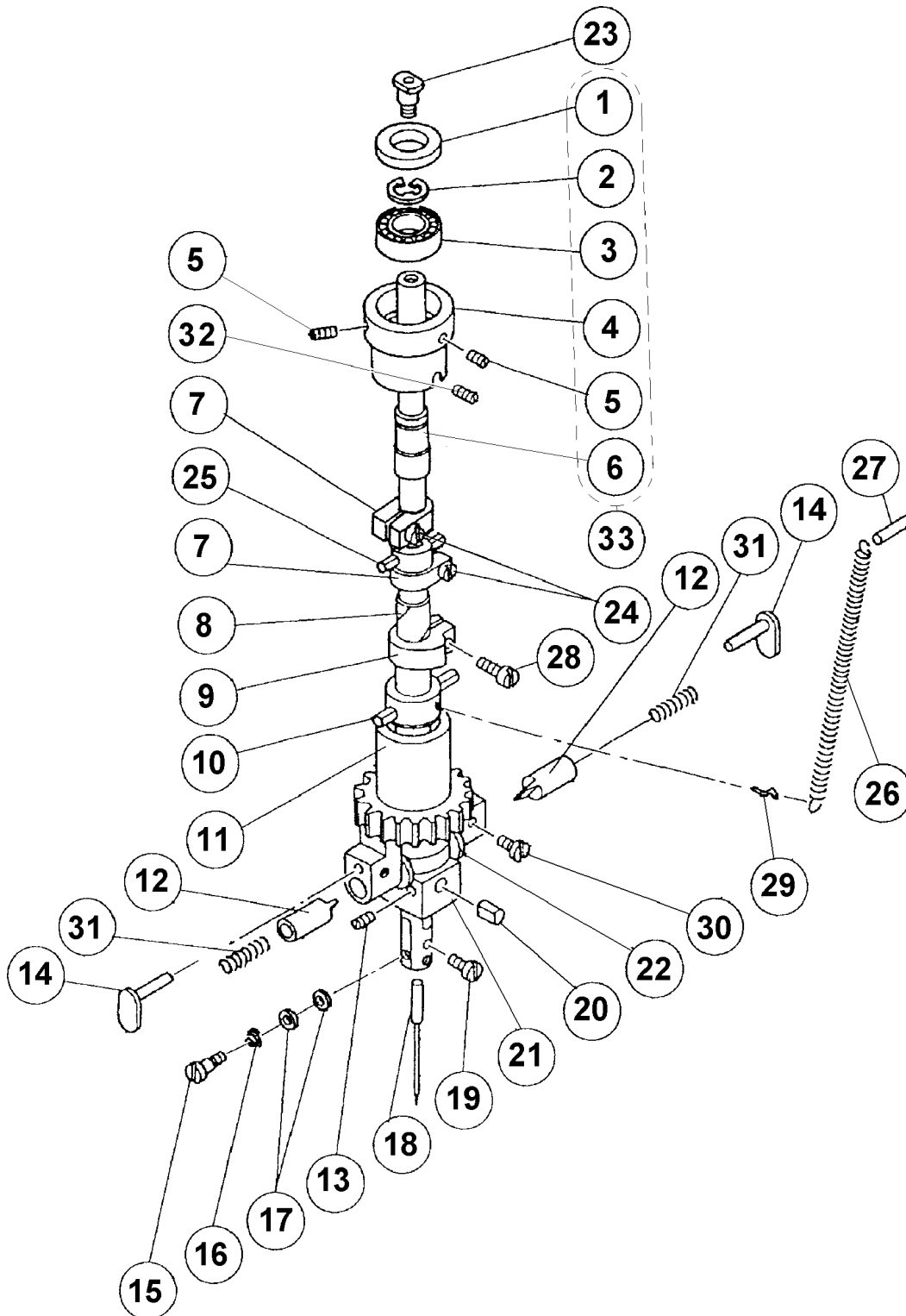
Revised 08/2003

e-mail: [service@amfreece.cz](mailto:service@amfreece.cz); [parts@amfreece.cz](mailto:parts@amfreece.cz); website: [www.amfreece.com](http://www.amfreece.com)

Phones: +420 582 309 160 (Service), +420 582 309 189 (343) (Spare Parts); Fax: +420 582 360 606

[www.promelectroavtomat.ru](http://www.promelectroavtomat.ru)

**NEEDLE BAR AND GEAR**



## NEEDLE BAR AND GEAR

---

| DET | PART NUMBER   | DESCRIPTION           |
|-----|---------------|-----------------------|
| 01  | 17.0044.2.229 | Washer                |
| 02  | 17.0027.4.085 | Retaining Ring        |
| 03  | 12.2010.1.001 | Bushing               |
| 04  | 17.0042.2.149 | Guide                 |
| 05  | 17.0011.2.107 | Screw                 |
| 06  | 17.0042.1.283 | Bushing               |
| 07  | 17.0043.6.277 | Clamp                 |
| 08  | 17.0002.1.274 | Needle Bar            |
| 09  | 17.0043.6.351 | Clamp                 |
| 10  | 17.0045.3.006 | Gimbal                |
| 11  | 17.0055.5.042 | Gear                  |
| 12  | 17.0031.3.027 | Guide                 |
| 13  | 18.0011.2.400 | Screw                 |
| 14  | 10.1021.2.000 | Retainer              |
| 15  | 17.0013.1.420 | Screw                 |
| 16  | 17.0026.2.077 | Tension Spring        |
| 17  | 17.0082.8.017 | Tension Disc          |
| 18  | 02.0501.0.111 | Needle                |
| 19  | 17.0012.0.570 | Needle Screw          |
| 20  | 18.0031.8.130 | Button                |
| 21  | 18.0041.6.130 | Needle Bar Guide      |
| 22  | 17.0019.1.062 | Retainer Washer       |
| 23  | 17.0042.2.216 | Thread Draw-Off       |
| 24  | 17.0012.0.120 | Screw                 |
| 25  | 17.0045.3.004 | Gimbal                |
| 26  | 17.0031.0.196 | Pin                   |
| 27  | 17.0026.3.014 | Spring                |
| 28  | 17.0012.0.543 | Screw                 |
| 29  | 17.0027.1.073 | Pin                   |
| 30  | 17.0012.0.423 | Screw                 |
| 31  | 17.0026.1.084 | Spring                |
| 32  | 17.0011.1.234 | Screw                 |
| 33  | 17.0002.7.563 | Upper Needle Bar Asm. |

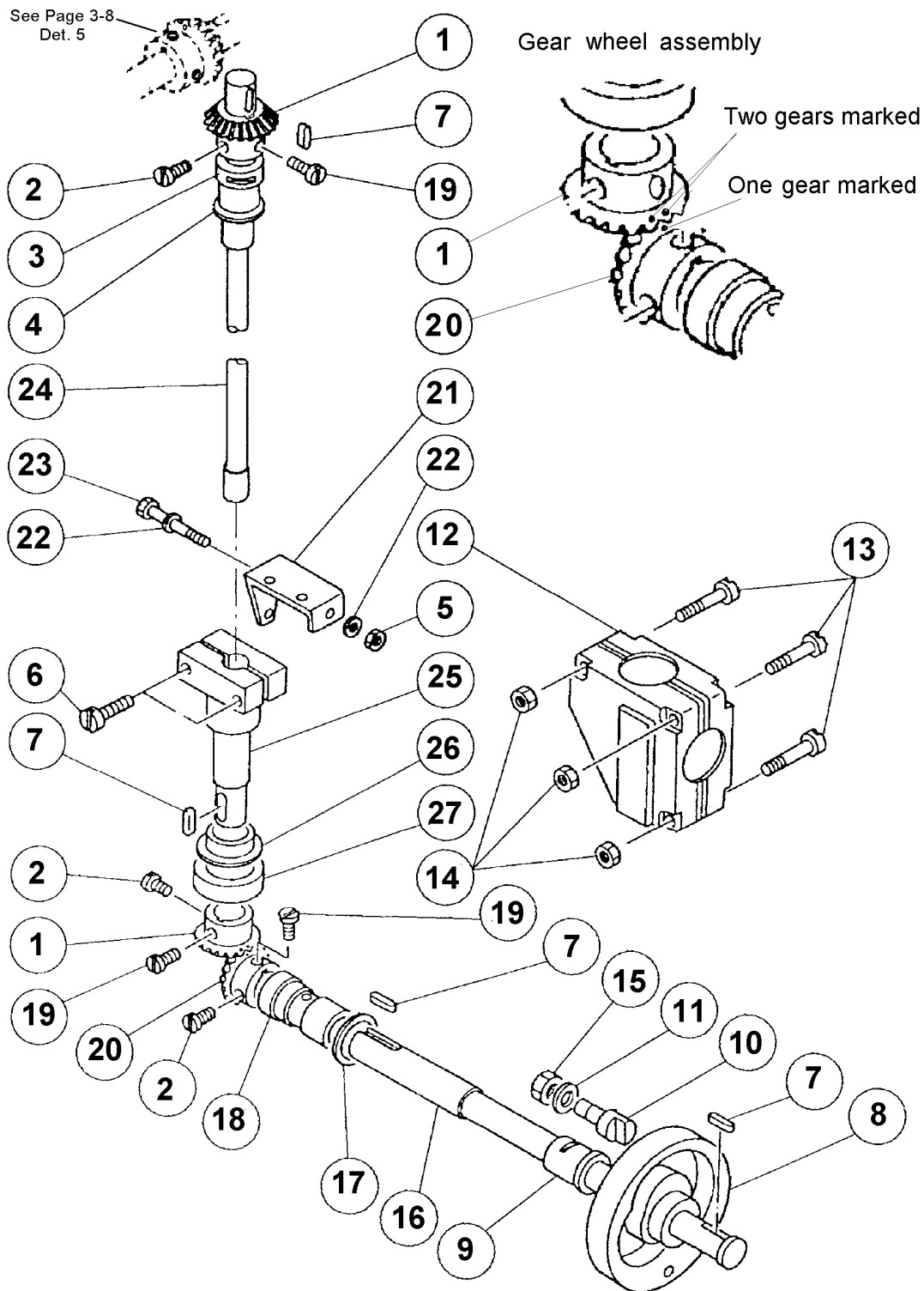
Revised 08/2003

e-mail: [service@amfreece.cz](mailto:service@amfreece.cz); [parts@amfreece.cz](mailto:parts@amfreece.cz); website: [www.amfreece.com](http://www.amfreece.com)

Phones: +420 582 309 160 (Service), +420 582 309 189 (343) (Spare Parts); Fax: +420 582 360 606

[www.promelectroavtomat.ru](http://www.promelectroavtomat.ru)

**STITCH SHAFT AND DRIVE**



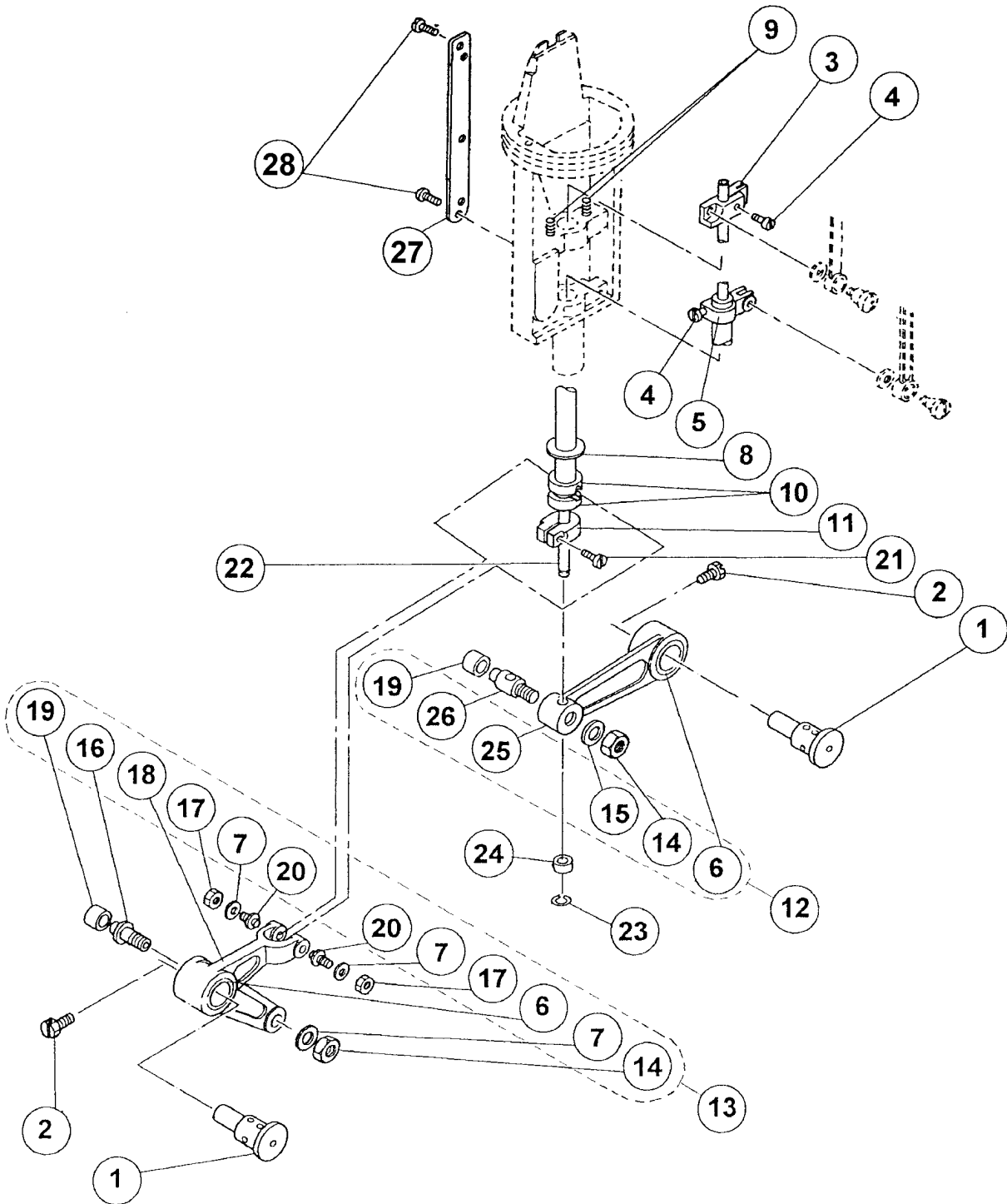


## STITCH SHAFT AND DRIVE

| DET | PART NUMBER | DESCRIPTION   |             |
|-----|-------------|---------------|-------------|
| *   | 01          | 18.0056.2.118 | Bevel Gear  |
|     | 02          | 17.0013.2.120 | Screw       |
|     | 03          | 17.0042.5.287 | Bearing     |
|     | 04          | 17.0019.0.226 | Washer      |
|     | 05          | 17.0016.1.165 | Nut         |
|     | 06          | 17.0012.0.113 | Screw       |
|     | 07          | 17.0021.1.069 | Key         |
|     | 08          | 17.0067.5.152 | Stitch Cam  |
|     | 09          | 17.0042.5.288 | Bushing     |
|     | 10          | 17.0033.3.138 | Stud        |
|     | 11          | 08.6850.5.000 | Washer      |
|     | 12          | 17.0004.6.939 | Housing     |
|     | 13          | 17.0012.0.301 | Screw       |
|     | 14          | 17.0016.1.137 | Nut         |
|     | 15          | 17.0016.1.179 | Nut         |
|     | 16          | 17.0032.2.282 | Shaft       |
|     | 17          | 17.0019.0.222 | Washer      |
|     | 18          | 17.0042.5.247 | Bushing     |
|     | 19          | 17.0013.2.119 | Screw       |
| *   | 20          | 18.0056.2.117 | Gear        |
|     | 21          | 17.0094.5.308 | Bracket     |
|     | 22          | 08.6850.4.000 | Washer      |
|     | 23          | 17.0014.2.020 | Screw       |
|     | 24          | 17.0034.6.039 | Shaft       |
|     | 25          | 17.0032.2.272 | Shaft Clamp |
|     | 26          | 17.0019.0.221 | Washer      |
|     | 27          | 17.0042.5.249 | Bushing     |

**\*Note:** This gear is marked for correct orientation with mating gear (18.0056.2.118), see Gear Wheel Asm., Details 1 and 20 on page 3-16.

# LOOPER AND SPREADER DRIVE



## LOOPER AND SPREADER DRIVE

---

| DET | PART NUMBER   | DESCRIPTION               |
|-----|---------------|---------------------------|
| 01  | 17.0032.2.268 | Stud                      |
| 02  | 17.0014.1.015 | Screw                     |
| 03  | 18.0064.6.427 | Clamp                     |
| 04  | 08.6010.4.012 | Screw                     |
| 05  | 17.0074.4.405 | Clamp                     |
| 06  | 17.0041.0.550 | Bushing                   |
| 07  | 08.6850.5.000 | Washer                    |
| 08  | 17.0004.9.850 | Shaft, Complete           |
| 09  | 17.0026.0.215 | Spring                    |
| 10  | 17.0019.0.398 | Bushing                   |
| 11  | 19.0043.6.441 | Looper Drive Shaft Collar |
| 12  | 17.0004.4.795 | Lever Assembly            |
| 13  | 17.0004.4.793 | Lever Assembly            |
| 14  | 17.0016.1.140 | Nut                       |
| 15  | 17.0019.0.346 | Washer                    |
| 16  | 17.0033.3.129 | Stud                      |
| 17  | 17.0016.1.143 | Nut                       |
| 18  | 17.0063.6.256 | Looper Lever              |
| 19  | 17.0041.8.096 | Roll                      |
| 20  | 17.0033.3.131 | Stud                      |
| 21  | 08.6010.4.010 | Screw                     |
| 22  | 18.0034.6.035 | Shaft                     |
| 23  | 17.0027.4.045 | Clip Ring                 |
| 24  | 17.0042.6.053 | Roll                      |
| 25  | 17.0061.2.336 | Lever                     |
| 26  | 17.0033.2.126 | Stud                      |
| 27  | 17.0081.5.003 | Bracket                   |
| 28  | 17.0012.0.290 | Screw                     |

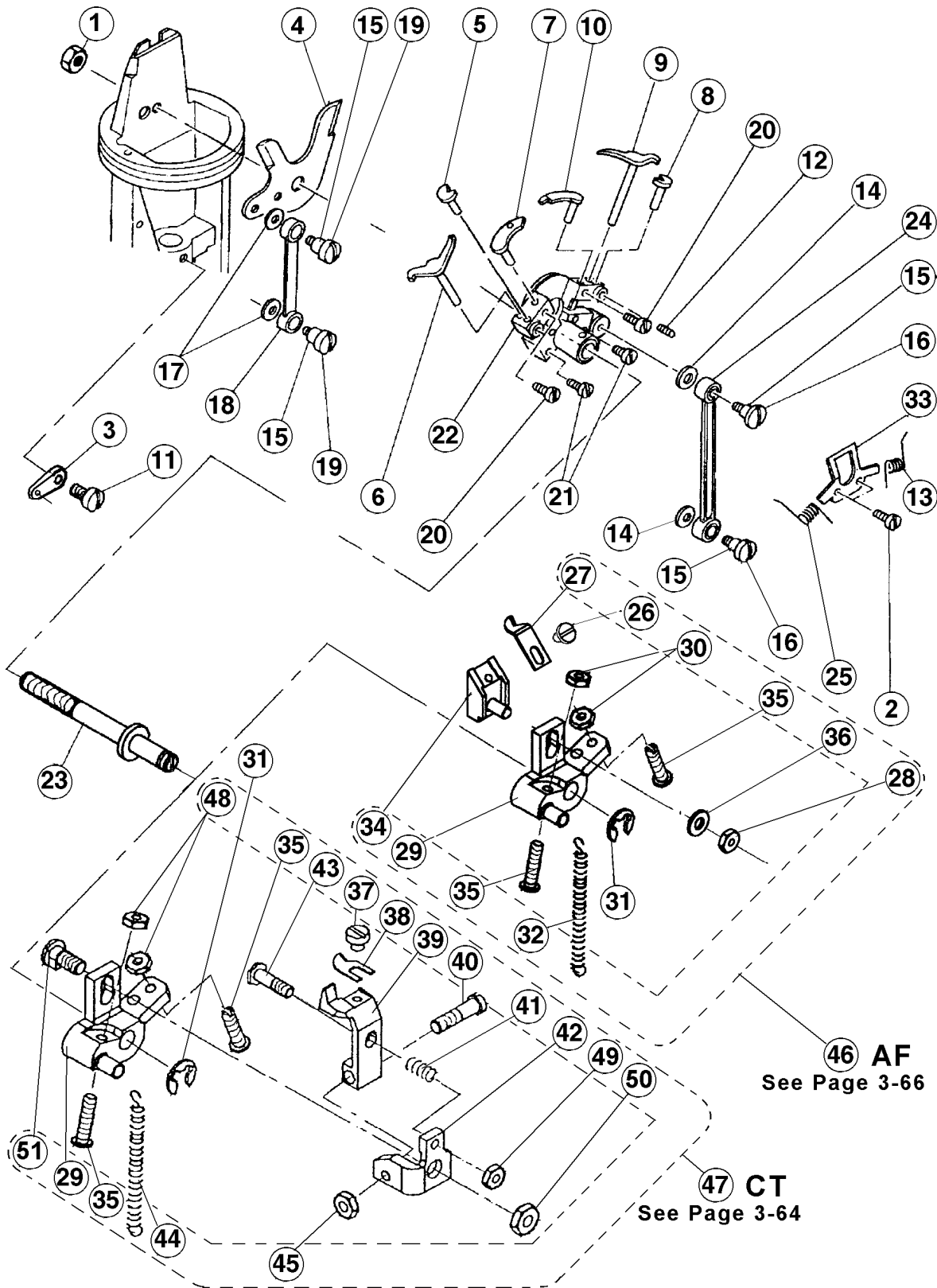
Revised 08/2003

e-mail: [service@amfreece.cz](mailto:service@amfreece.cz); [parts@amfreece.cz](mailto:parts@amfreece.cz); website: [www.amfreece.com](http://www.amfreece.com)

Phones: +420 582 309 160 (Service), +420 582 309 189 (343) (Spare Parts); Fax: +420 582 360 606

[www.promelectroavtomat.ru](http://www.promelectroavtomat.ru)

**RIGHT & LEFT LOOPERS/SPREADERS/SPREADER STOPS**



**RIGHT & LEFT LOOPERS/SPREADERS/SPREADER STOPS**

| DET | PART NUMBER   | DESCRIPTION           |
|-----|---------------|-----------------------|
| 01  | 17.0016.1.149 | Nut                   |
| 02  | 17.0012.0.404 | Screw                 |
| 03  | 17.0082.5.235 | Plate                 |
| 04  | 17.0081.8.547 | Spreader Wedge        |
| 05  | 17.0033.8.089 | L.H. Spreader Stop    |
| 06  | 17.0004.9.895 | Forked Spreader       |
| 07  | 17.0069.4.049 | Eye Looper            |
| 08  | 17.0033.8.154 | R.H. Spreader Stop*CT |
| 09  | 17.0004.9.894 | R.H. Spreader         |
| 10  | 17.0069.4.048 | Blind Looper          |
| 11  | 17.0012.4.105 | Screw                 |
| 12  | 17.0011.1.248 | Screw                 |
| 13  | 17.0026.4.292 | R.H. Spring           |
| 14  | 17.0019.1.088 | Washer                |
| 15  | 17.0041.1.094 | Roll                  |
| 16  | 17.0012.1.142 | Screw                 |
| 17  | 17.0019.0.228 | Washer                |
| 18  | 17.0063.1.073 | Spreader Link         |
| 19  | 17.0012.1.140 | Stud                  |
| 20  | 08.6010.3.006 | Scew                  |
| 21  | 17.0012.1.139 | Screw                 |
| 22  | 17.0003.5.711 | Looper Carrier        |
| 23  | 17.0033.3.158 | Stud                  |
| 24  | 17.0004.4.829 | Looper Link           |
| 25  | 17.0026.4.293 | L.H. Spring           |
| 26  | 17.0012.0.605 | Screw                 |
| 27  | 17.0087.0.204 | Knife                 |
| 28  | 17.0016.1.165 | Nut                   |
| 29  | 17.0064.6.336 | Lever                 |
| 30  | 17.0016.1.185 | Nut                   |
| 31  | 17.0027.4.090 | E-Ring                |
| 32  | 17.0026.3.173 | Spring                |
| 33  | 17.0082.5.898 | Needle Guard          |
| 34  | 17.0003.5.721 | Knife Holder          |
| 35  | 17.0013.6.081 | Screw                 |
| 36  | 08.6850.4.000 | Washer                |
| 37  | 17.0012.0.688 | Screw CT              |
| 38  | 14.1197.1.000 | Knife CT              |
| 39  | 17.0061.6.030 | Knife Holder CT       |
| 40  | 17.0013.1.482 | Screw CT              |
| 41  | 17.0026.0.218 | Spring CT             |
| 42  | 17.0082.4.996 | Holder CT             |
| 43  | 17.0014.1.178 | Screw CT              |
| 44  | 17.0026.3.127 | Spring CT             |
| 45  | 17.0016.1.401 | Nut CT                |
| 46  | 17.0002.5.408 | AF-Knife Assembly     |
| 47  | 17.0002.5.278 | CT-Knife Assembly     |
| 48  | 08.6700.3.000 | Nut                   |
| 49  | 08.6710.3.000 | Nut                   |
| 50  | 08.6700.4.000 | Nut                   |
| 51  | 17.0015.5.042 | Screw                 |

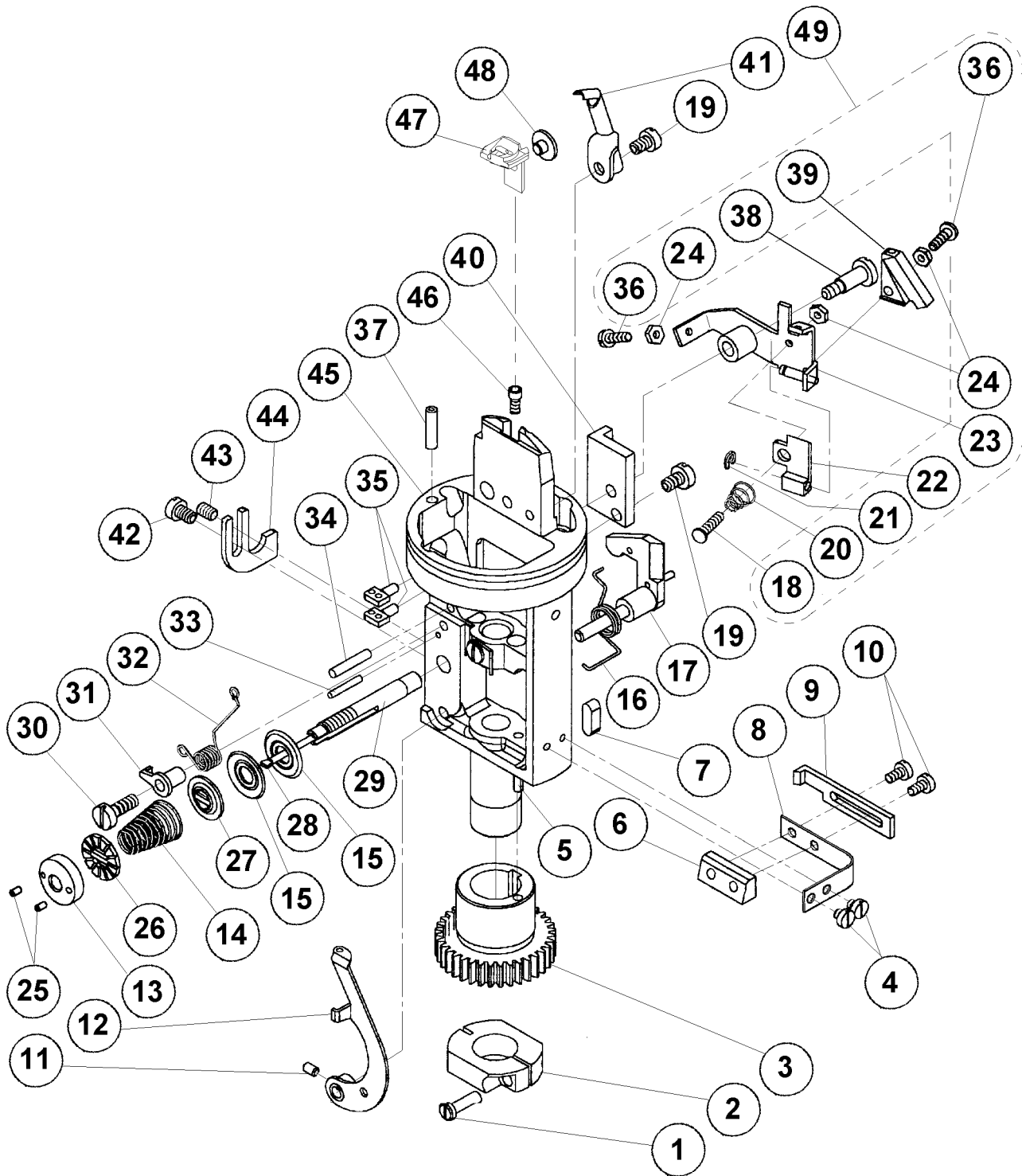
Revised 08/2003

e-mail: [service@amfreece.cz](mailto:service@amfreece.cz); [parts@amfreece.cz](mailto:parts@amfreece.cz); website: [www.amfreece.com](http://www.amfreece.com)

Phones: +420 582 309 160 (Service), +420 582 309 189 (343) (Spare Parts); Fax: +420 582 360 606

[www.promelectroavtomat.ru](http://www.promelectroavtomat.ru)

**RACE**



**RACE**

| DET | PART NUMBER   | DESCRIPTION     | DET | PART NUMBER   | DESCRIPTION     |
|-----|---------------|-----------------|-----|---------------|-----------------|
| 01  | 17.0012.0.543 | Screw           | 26  | 18.0082.8.400 | Washer          |
| 02  | 17.0043.6.290 | Clamp Nut       | 27  | 17.0082.8.082 | Release Washer  |
| 03  | 17.0055.1.143 | Race Gear       | 28  | 18.0031.0.481 | Pin             |
| 04  | 17.0012.0.330 | Screw           | 29  | 18.0011.8.400 | Stud            |
| 05  | 17.0031.0.424 | Pin             | 30  | 08.6010.4.012 | Screw           |
| 06  | 18.0082.6.406 | Block           | 31  | 17.0064.7.162 | Plate           |
| 07  | 17.0021.1.069 | Key             | 32  | 17.0026.4.035 | Spring          |
| 08  | 18.0028.3.401 | Spring          | 33  | 17.0031.0.406 | Pin             |
| 09  | 18.0062.5.402 | Lever           | 34  | 17.0031.0.426 | Pin             |
| 10  | 08.6010.3.006 | Screw           | 35  | 17.0027.2.052 | Thread Guide    |
| 11  | 08.6400.3.005 | Screw           | 36  | 08.6032.3.008 | Screw           |
| 12  | 18.0005.2.204 | Lever           | 37  | 17.0084.1.001 | Thread Guide    |
| 13  | 18.0017.1.400 | Nut             | 38  | 17.0013.1.040 | Screw           |
| 14  | 17.0026.2.078 | Spring          | 39  | 17.0064.5.837 | Thread Guide    |
| 15  | 17.0082.8.083 | Tension Plate   | 40  | 18.0082.6.410 | Washer          |
| 16  | 18.0026.4.403 | Spring          | 41  | 17.0002.5.401 | Guide           |
| 17  | 18.0005.2.203 | Lever           | 42  | 17.0012.4.103 | Screw           |
| 18  | 17.0013.6.081 | Screw           | 43  | 08.6400.4.006 | Screw           |
| 19  | 17.0012.0.266 | Screw           | 44  | 18.0082.6.409 | Plate           |
| 20  | 17.0026.2.077 | Tension Spring  | 45  | 18.0071.7.400 | Race            |
| 21  | 17.0027.4.100 | Lockwasher      | 46  | 17.0012.2.400 | Screw           |
| 22  | 17.0082.6.402 | Thread Holder   | 47  | 18.0064.7.410 | Throat Plate    |
| 23  | 17.0005.2.201 | Thread Retainer | 48  | 17.0012.1.137 | Screw           |
| 24  | 08.6700.3.000 | Nut             | 49  | 17.0002.5.400 | Abductor Thread |
| 25  | 08.6460.7.004 | Screw           | 50  |               |                 |

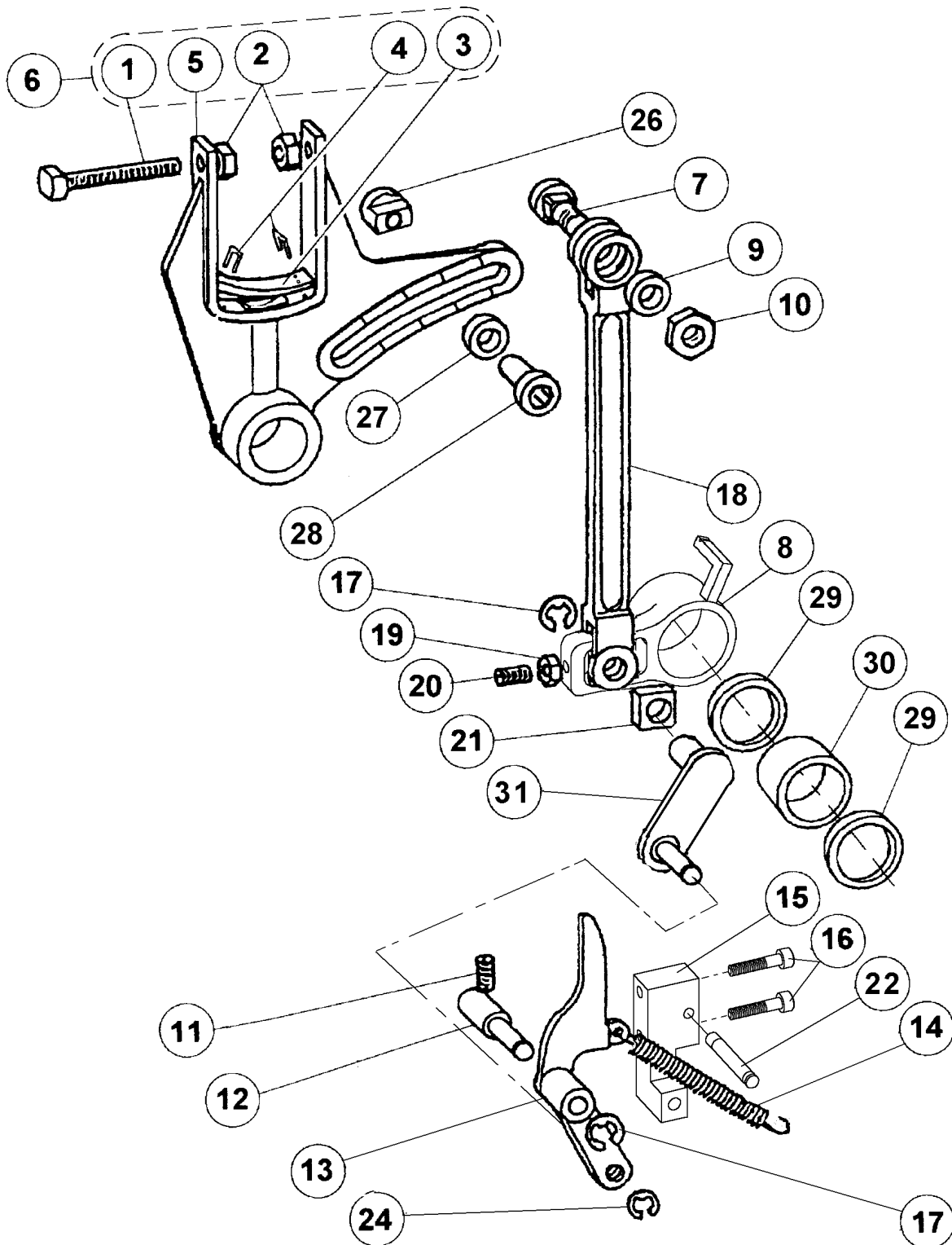
Revised 08/2003

e-mail: [service@amfreece.cz](mailto:service@amfreece.cz); [parts@amfreece.cz](mailto:parts@amfreece.cz); website: [www.amfreece.com](http://www.amfreece.com)

Phones: +420 582 309 160 (Service), +420 582 309 189 (343) (Spare Parts); Fax: +420 582 360 606

[www.promelectroavtomat.ru](http://www.promelectroavtomat.ru)

**STITCH FEED**





## STITCH FEED

---

| DET | PART NUMBER   | DESCRIPTION          |
|-----|---------------|----------------------|
| 01  | 17.0014.4.036 | Screw                |
| 02  | 08.6700.6.300 | Nut                  |
| 03  | 17.0094.5.307 | Wicking              |
| 04  | 17.0027.1.410 | Clamp                |
| 05  | 17.0063.6.260 | Stitch Feed          |
| 06  | 17.0004.4.806 | Stitch Feed Assembly |
| 07  | 17.0032.5.031 | Stud                 |
| 08  | 18.0064.1.401 | Roll                 |
| 09  | 17.0019.0.346 | Washer               |
| 10  | 17.0016.1.190 | Nut                  |
| 11  | 17.0011.1.240 | Screw                |
| 12  | 17.0034.9.155 | Shaft                |
| 13  | 17.0063.3.195 | Lever                |
| 14  | 17.0026.3.013 | Spring               |
| 15  | 17.0074.4.453 | Brake Holder         |
| 16  | 08.6000.4.020 | Screw                |
| 17  | 17.0027.4.084 | Lock Washer          |
| 18  | 17.0063.2.154 | Lever Guide          |
| 19  | 17.0016.1.146 | Nut                  |
| 20  | 17.0011.1.242 | Screw                |
| 21  | 17.0064.6.122 | Block                |
| 22  | 18.0011.3.402 | Stud                 |
| 24  | 17.0027.4.083 | Lock Washer          |
| 26  | 17.0016.3.051 | Nut                  |
| 27  | 17.0019.0.346 | Washer               |
| 28  | 17.0012.0.457 | Screw                |
| 29  | 18.0094.3.400 | Felt Ring            |
| 30  | 17.0002.4.140 | Bearing              |
| 31  | 18.0061.2.420 | Lever                |

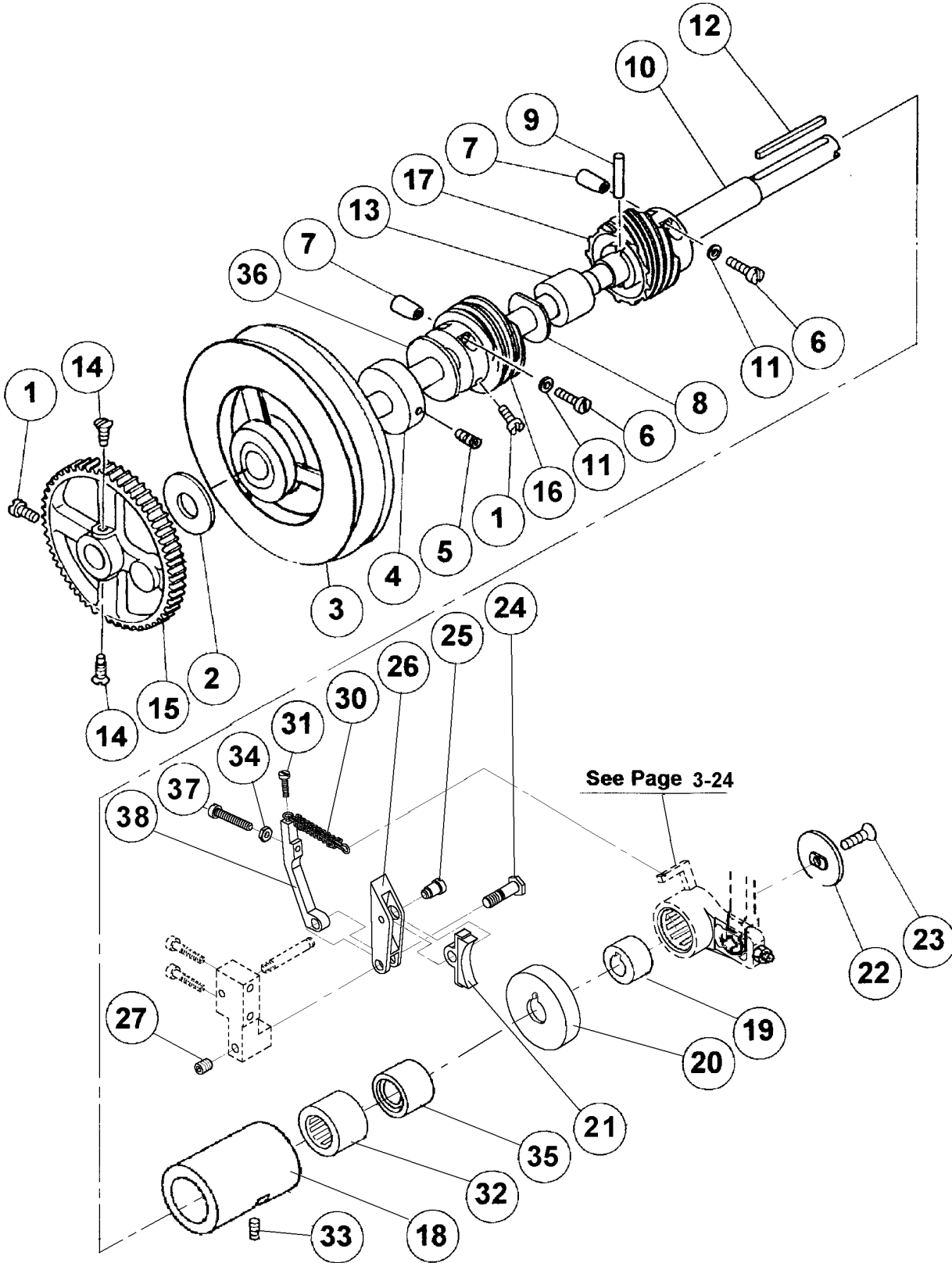
Revised 08/2003

e-mail: [service@amfreece.cz](mailto:service@amfreece.cz); [parts@amfreece.cz](mailto:parts@amfreece.cz); website: [www.amfreece.com](http://www.amfreece.com)

Phones: +420 582 309 160 (Service), +420 582 309 189 (343) (Spare Parts); Fax: +420 582 360 606

[www.promelectroavtomat.ru](http://www.promelectroavtomat.ru)

**BOTTOM SHAFT ASSEMBLY**



## BOTTOM SHAFT ASSEMBLY

| DET | PART NUMBER   | DESCRIPTION           |
|-----|---------------|-----------------------|
| 01  | 17.0013.2.192 | Screw                 |
| 02  | 17.0019.0.235 | Washer                |
| 03  | 18.0051.0.404 | Pulley                |
| 04  | 18.0041.2.401 | Setting Collar        |
| 05  | 08.6400.5.006 | Screw                 |
| 06  | 17.0012.0.204 | Screw                 |
| 07  | 17.0021.0.018 | Nut                   |
| 08  | 17.0019.1.063 | Washer                |
| 09  | 17.0031.0.434 | Pin                   |
| 10  | 18.0034.9.401 | Drive Shaft           |
| 11  | 17.0019.0.469 | Washer                |
| 12  | 17.0021.1.071 | Key                   |
| 13  | 12.2050.1.004 | Bearing               |
| 14  | 17.0013.2.090 | Screw                 |
| 15  | 17.0055.1.152 | Wheel                 |
| 16  | 17.0057.0.056 | Friction Collar       |
| 17  | 17.0057.0.057 | Gear                  |
| 18  | 18.0041.6.144 | Bushing               |
| 19  | 18.0041.3.400 | Reverse Clutch Collar |
| 20  | 18.0044.1.492 | Brake Disc            |
| 21  | 18.0005.3.001 | Brake Shoe            |
| 22  | 17.0019.6.033 | Lockwasher            |
| 23  | 17.0012.6.149 | Screw                 |
| 24  | 17.0013.1.175 | Screw                 |
| 25  | 18.0013.1.493 | Stud                  |
| 26  | 18.0062.2.404 | Brake Lever           |
| 27  | 08.6400.6.008 | Screw                 |
| 29  | 17.0026.0.217 | Spring                |
| 30  | 01.5606.0.000 | Spring                |
| 31  | 08.6010.3.012 | Screw                 |
| 32  | 12.2090.0.000 | Bearing               |
| 33  | 17.0011.1.240 | Screw                 |
| 34  | 08.6700.4.000 | Nut                   |
| 35  | 18.0041.2.400 | Reverse Clutch Collar |
| 36  | 17.0094.3.142 | Washer                |
| 37  | 08.6000.4.025 | Screw                 |
| 38  | 18.0061.6.400 | Lever                 |

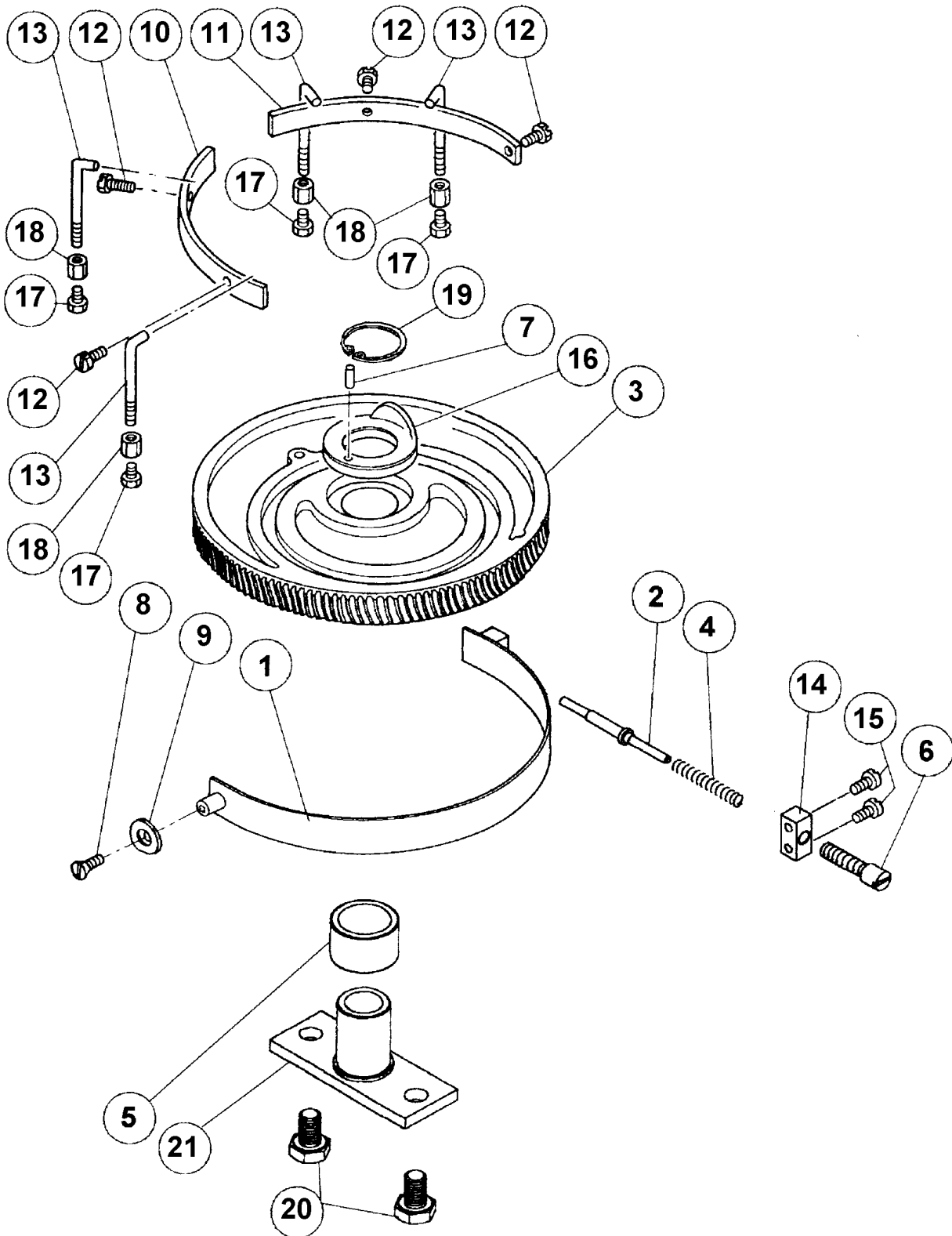
Revised 08/2003

e-mail: [service@amfreece.cz](mailto:service@amfreece.cz); [parts@amfreece.cz](mailto:parts@amfreece.cz); website: [www.amfreece.com](http://www.amfreece.com)

Phones: +420 582 309 160 (Service), +420 582 309 189 (343) (Spare Parts); Fax: +420 582 360 606

[www.promelectroavtomat.ru](http://www.promelectroavtomat.ru)

**MAIN CAM AND BRAKE BAND**



**MAIN CAM AND BRAKE BAND**

---

| DET | PART NUMBER   | DESCRIPTION       |
|-----|---------------|-------------------|
| 01  | 18.0002.7.600 | Brake Band        |
| 02  | 18.0031.3.363 | Pin               |
| 03  | 17.0067.4.127 | Main Cam XL-21    |
| 04  | 18.0026.0.601 | Spring            |
| 05  | 12.2050.1.002 | Roller Bearing    |
| 06  | 18.0015.6.044 | Screw             |
| 07  | 17.0031.0.431 | Pin               |
| 08  | 17.0012.6.120 | Screw             |
| 09  | 17.0044.1.582 | Washer            |
| 10  | 17.0081.3.957 | Hold Down         |
| 11  | 17.0081.3.960 | Hold Down         |
| 12  | 08.6000.5.012 | Screw             |
| 13  | 17.0038.2.012 | Hook              |
| 14  | 18.0064.5.836 | Block             |
| 15  | 08.6010.4.012 | Screw             |
| 16  | 17.0067.2.164 | Cutting Cam       |
| 17  | 17.0014.1.015 | Screw             |
| 18  | 17.0016.1.045 | Nut               |
| 19  | 17.0027.4.128 | Retaining Ring    |
| 20  | 17.0014.1.285 | Screw             |
| 21  | 17.0004.9.929 | Base Assembly     |
| 03  | 18.0064.4.402 | Main Cam XL-21 ST |

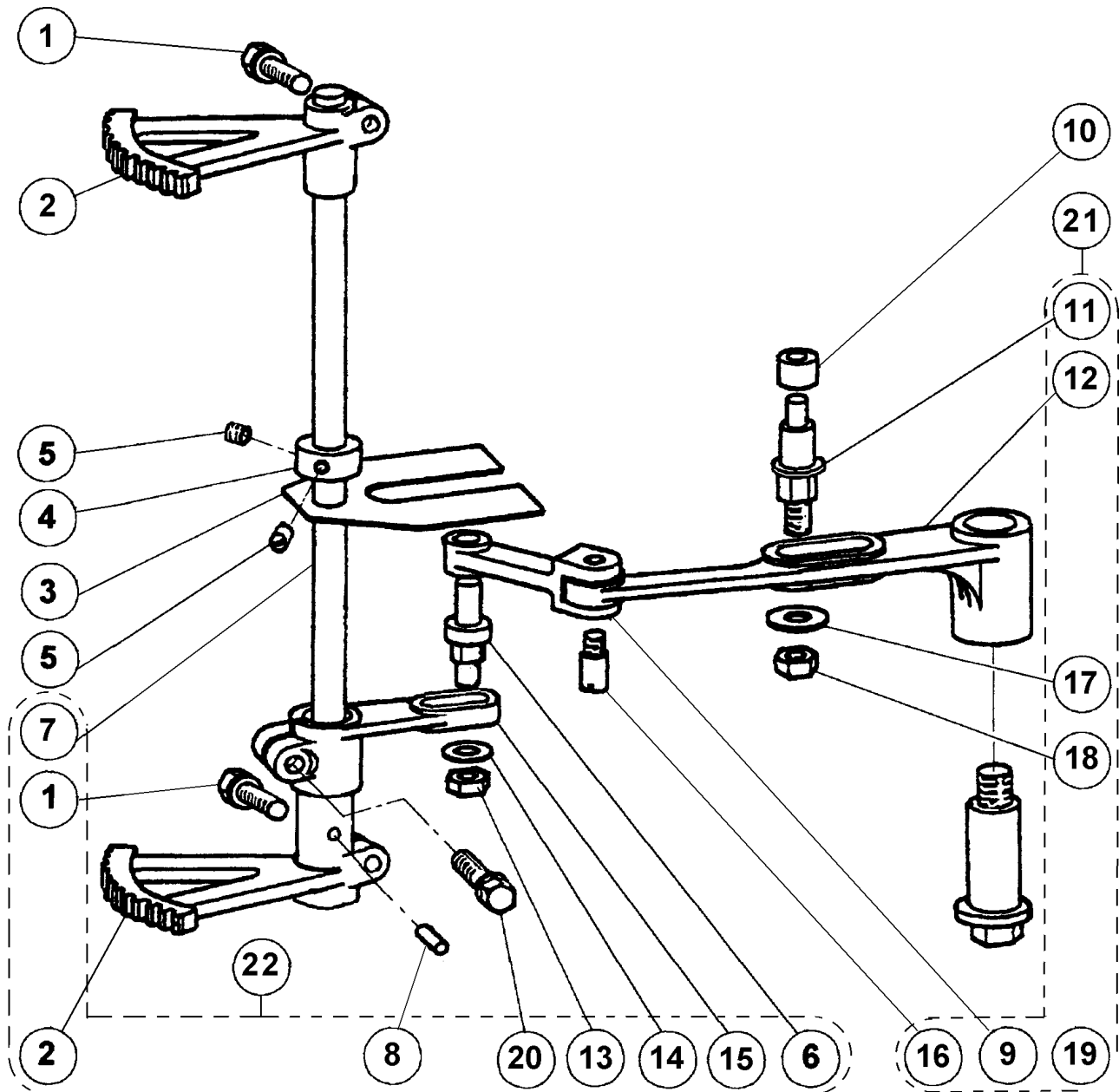
Revised 08/2003

e-mail: [service@amfreece.cz](mailto:service@amfreece.cz); [parts@amfreece.cz](mailto:parts@amfreece.cz); website: [www.amfreece.com](http://www.amfreece.com)

Phones: +420 582 309 160 (Service), +420 582 309 189 (343) (Spare Parts); Fax: +420 582 360 606

[www.promelectroavtomat.ru](http://www.promelectroavtomat.ru)

**SECTOR SHAFT AND GUARD**



## SECTOR SHAFT AND GUARD

---

| DET | PART NUMBER   | DESCRIPTION              |
|-----|---------------|--------------------------|
| 01  | 17.0011.7.009 | Screw                    |
| 02  | 17.0055.3.025 | Upper Sector             |
| 03  | 17.0083.1.096 | Plate                    |
| 04  | 17.0043.6.018 | Set Screw Collar         |
| 05  | 08.6400.5.305 | Screw                    |
| 06  | 17.0033.3.132 | Stud                     |
| 07  | 17.0034.2.328 | Shaft                    |
| 08  | 17.0031.2.025 | Pin                      |
| 09  | 17.0063.6.044 | Fork                     |
| 10  | 17.0041.8.181 | Roll                     |
| 11  | 17.0032.3.196 | Stud                     |
| 12  | 17.0063.6.265 | Lower Lateral Lever      |
| 13  | 17.0016.1.182 | Nut                      |
| 14  | 17.0019.0.364 | Washer                   |
| 15  | 17.0063.6.308 | Lower Lever              |
| 16  | 17.0033.1.153 | Screw                    |
| 17  | 17.0019.0.371 | Washer                   |
| 18  | 17.0016.1.290 | Nut                      |
| 19  | 17.0033.5.137 | Stud                     |
| 20  | 17.0014.1.180 | Screw                    |
| 21  | 17.0004.4.559 | Lever Change             |
| 22  | 17.0006.0.152 | Bracket Rotary Gear Asm. |

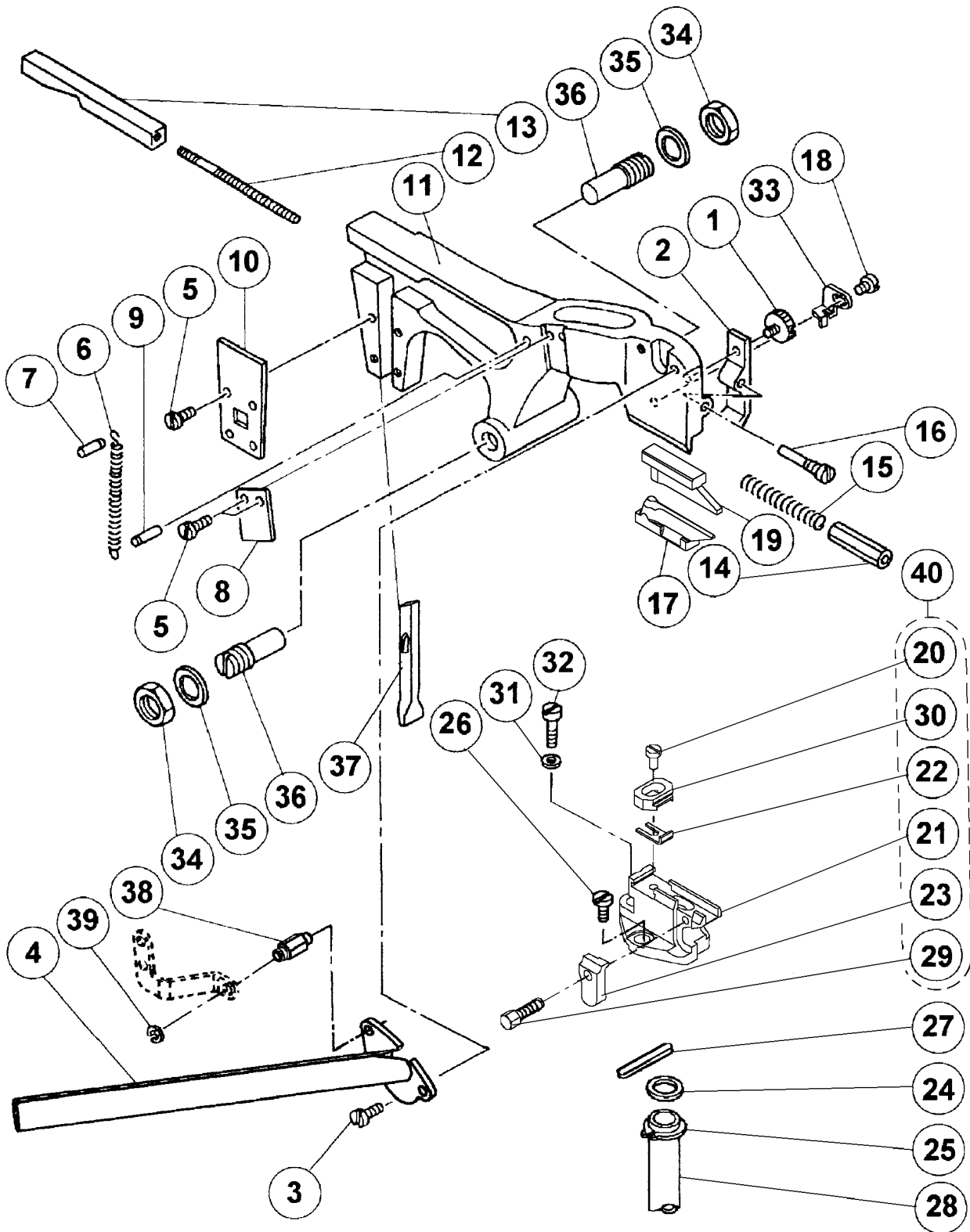
Revised 08/2003

e-mail: [service@amfreece.cz](mailto:service@amfreece.cz); [parts@amfreece.cz](mailto:parts@amfreece.cz); website: [www.amfreece.com](http://www.amfreece.com)

Phones: +420 582 309 160 (Service), +420 582 309 189 (343) (Spare Parts); Fax: +420 582 360 606

[www.promelectroavtomat.ru](http://www.promelectroavtomat.ru)

**CUTTING LEVER ASSEMBLY**





## CUTTING LEVER ASSEMBLY

| DET | PART NUMBER   | DESCRIPTION                 |
|-----|---------------|-----------------------------|
| 01  | 17.0013.4.027 | Screw                       |
| 02  | 17.0063.6.220 | Knife Holder                |
| 03  | 17.0012.0.331 | Screw                       |
| 04  | 18.0005.0.000 | Lever                       |
| 05  | 17.0012.0.328 | Screw                       |
| 06  | 17.0026.3.013 | Spring                      |
| 07  | 17.0031.0.427 | Pin                         |
| 08  | 17.0028.1.125 | Plate                       |
| 09  | 17.0031.0.405 | Pin                         |
| 10  | 17.0082.5.108 | Cover Plate                 |
| 11  | 17.0063.5.234 | Cutting Lever               |
| 12  | 17.0011.5.019 | Shaft                       |
| 13  | 17.0064.6.298 | Pressure Bar                |
| 14  | 17.0016.1.260 | Nut                         |
| 15  | 17.0026.1.082 | Spring                      |
| 16  | 17.0013.1.415 | Screw                       |
| 17  | 18.0087.0.405 | Knife                       |
| 18  | 17.0012.0.571 | Screw                       |
| 19  | 19.0064.5.951 | Cutting Steel               |
| 20  | 17.0012.0.246 | Screw                       |
| 21  | 17.0074.4.504 | Knife Holder                |
| 22  | 17.0082.4.545 | Stop XL-21                  |
| 23  | 17.0064.6.416 | Knife Clamp                 |
| 24  | 17.0094.3.085 | Washer                      |
| 25  | 17.0027.4.127 | Lock Washer                 |
| 26  | 08.6010.5.012 | Screw                       |
| 27  | 17.0021.1.073 | Key                         |
| 28  | 17.0084.1.228 | Shaft                       |
| 29  | 17.0014.1.066 | Screw                       |
| 30  | 17.0064.5.170 | Spreader Block              |
| 31  | 17.0019.0.346 | Washer                      |
| 32  | 17.0012.0.425 | Screw                       |
| 33  | 17.0082.5.997 | Clamp                       |
| 34  | 17.0016.1.288 | Nut                         |
| 35  | 17.0019.0.560 | Washer                      |
| 36  | 17.0011.3.113 | Screw                       |
| 37  | 17.0062.5.149 | Cam Follower                |
| 38  | 17.0033.2.154 | Stud                        |
| 39  | 17.0027.4.090 | E-Ring                      |
| 40  | 17.0003.5.726 | Knife Holder Assembly XL-21 |

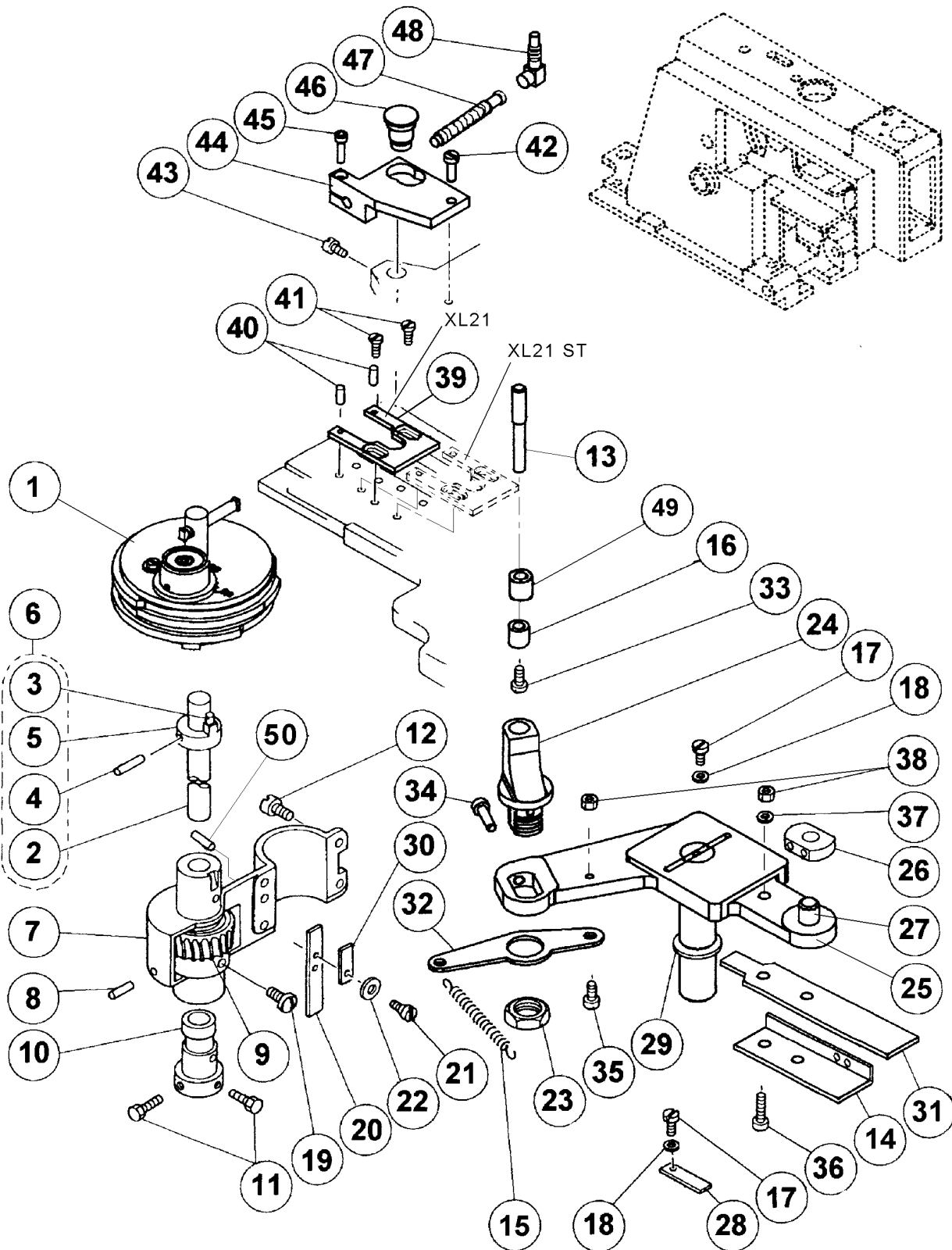
Revised 08/2003

e-mail: [service@amfreece.cz](mailto:service@amfreece.cz); [parts@amfreece.cz](mailto:parts@amfreece.cz); website: [www.amfreece.com](http://www.amfreece.com)

Phones: +420 582 309 160 (Service), +420 582 309 189 (343) (Spare Parts); Fax: +420 582 360 606

[www.promelectroavtomat.ru](http://www.promelectroavtomat.ru)

**LATERAL CAM SHAFT ASSEMBLY**



**LATERAL CAM SHAFT ASSEMBLY**

| DET | PART NUMBER   | DESCRIPTION            |
|-----|---------------|------------------------|
| 01  | See Pg. 3-37  | Lateral Cam Asm.       |
| 02  | 17.0034.9.134 | Shaft                  |
| 03  | 17.0031.0.425 | Pin                    |
| 04  | 17.0031.2.024 | Pin                    |
| 05  | 17.0064.7.226 | Shaft Washer           |
| 06  | 17.0004.3.486 | Lateral Cam Shaft Asm. |
| 07  | 17.0074.4.421 | Housing                |
| 08  | 17.0031.0.429 | Pin                    |
| 09  | 17.0057.1.045 | Gear                   |
| 10  | 17.0042.5.041 | Bushing                |
| 11  | 17.0014.1.033 | Screw                  |
| 12  | 08.6000.6.016 | Screw                  |
| 13  | 18.0033.5.400 | Stud                   |
| 14  | 18.0083.6.613 | Felt Holder            |
| 15  | 17.0026.3.258 | Spring                 |
| 16  | 12.2050.1.005 | Needle Bearing         |
| 17  | 08.6010.4.010 | Screw                  |
| 18  | 08.6850.4.000 | Washer                 |
| 19  | 17.0013.2.090 | Screw                  |
| 20  | 17.0094.5.310 | Felt                   |
| 21  | 17.0013.6.032 | Screw                  |
| 22  | 17.0019.2.061 | Curved Spring Washer   |
| 23  | 17.0016.1.093 | Nut                    |
| 24  | 18.0062.6.400 | Washer                 |
| 25  | 18.0005.3.000 | Upper Lateral Lever    |
| 26  | 17.0045.1.106 | Slide Block            |
| 27  | 17.0032.1.074 | Stud                   |
| 28  | 17.0094.5.311 | Plate                  |
| 29  | 17.0019.0.222 | Washer                 |
| 30  | 17.0081.5.002 | Plate                  |
| 31  | 18.0094.5.400 | Felt                   |
| 32  | 18.0082.3.400 | Holder Spring          |
| 33  | 17.0012.0.423 | Screw                  |
| 34  | 08.6000.4.016 | Screw                  |
| 35  | 08.6000.4.012 | Screw                  |
| 36  | 08.6000.4.014 | Screw                  |
| 37  | 08.6800.4.000 | Washer                 |
| 38  | 08.6700.4.000 | Nut                    |
| 39  | 18.0082.6.405 | Guide Plate            |
| 40  | 17.0031.0.351 | Pin                    |
| 41  | 08.6200.4.006 | Screw                  |
| 42  | 08.6000.5.012 | Screw                  |
| 43  | 08.6400.4.012 | Screw                  |
| 44  | 18.0062.7.402 | Cover                  |
| 45  | 08.6000.6.016 | Screw                  |
| 46  | 17.0004.7.157 | Bushing                |
| 47  | 07.9014.0.000 | Proximity Sensor       |
| 48  | 12.0008.4.264 | Cable Sensor           |
| 49  | 12.2050.1.009 | Bearing                |
| 50  |               | Pin                    |

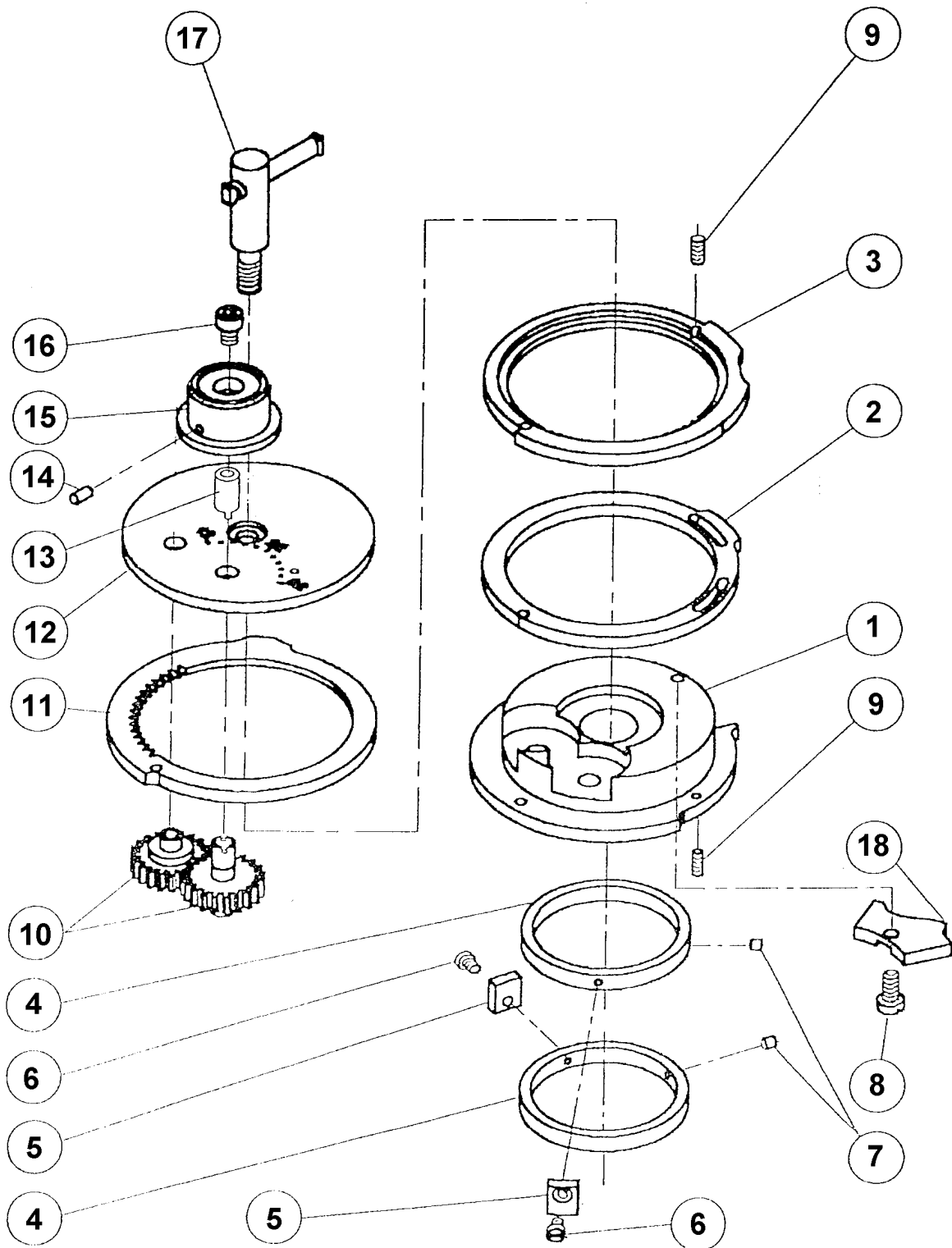
Revised 08/2003

e-mail: [service@amfreece.cz](mailto:service@amfreece.cz); [parts@amfreece.cz](mailto:parts@amfreece.cz); website: [www.amfreece.com](http://www.amfreece.com)

Phones: +420 582 309 160 (Service), +420 582 309 189 (343) (Spare Parts); Fax: +420 582 360 606

[www.promelectroavtomat.ru](http://www.promelectroavtomat.ru)

**CAM**



**CAM**

---

| DET | PART NUMBER   | DESCRIPTION      |
|-----|---------------|------------------|
| 01  | 18.0044.2.640 | Disc Holder      |
| 02  | 18.0067.2.407 | Disc C           |
| 03  | 18.0067.2.401 | Disc B           |
| 04  | 18.0041.0.674 | Scanning Ring    |
| 05  | 18.0064.8.400 | Adjustment Block |
| 06  | 08.6010.7.004 | Screw            |
| 07  | 08.6460.7.004 | Screw            |
| 08  | 17.0012.0.543 | Screw            |
| 09  | 08.6400.3.008 | Screw            |
| 10  | 18.0005.2.205 | Gear             |
| 11  | 18.0067.2.400 | Disc A           |
| 12  | 18.0081.4.442 | Gear Cover       |
| 13  | 18.0041.3.401 | Bushing          |
| 14  | 08.6400.3.005 | Screw            |
| 15  | 18.0023.3.200 | Knob             |
| 16  | 08.6000.4.016 | Screw            |
| 17  | 18.0004.7.200 | Screw Assembly   |
| 18  | 18.0067.2.402 | Segment 2.5-4    |
|     | 18.0067.2.403 | Segment 3-5      |
|     | 18.0067.2.404 | Segment 4-5      |
|     | 18.0067.2.405 | Segment 0        |

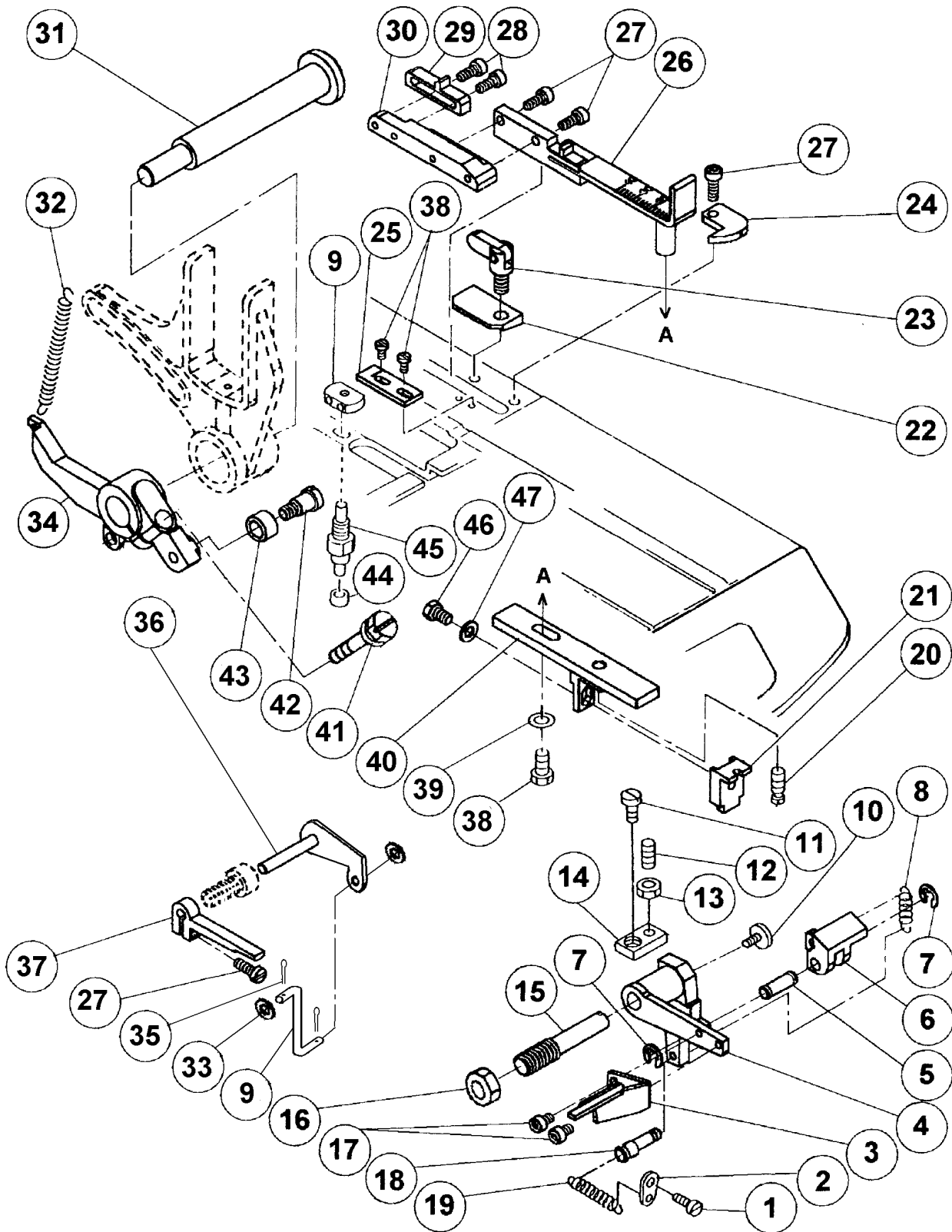
Revised 08/2003

e-mail: [service@amfreece.cz](mailto:service@amfreece.cz); [parts@amfreece.cz](mailto:parts@amfreece.cz); website: [www.amfreece.com](http://www.amfreece.com)

Phones: +420 582 309 160 (Service), +420 582 309 189 (343) (Spare Parts); Fax: +420 582 360 606

[www.promelectroavtomat.ru](http://www.promelectroavtomat.ru)

# BEDPLATE ASSEMBLY



## BEDPLATE ASSEMBLY

---

| DET | PART NUMBER   | DESCRIPTION      |
|-----|---------------|------------------|
| 01  | 17.0012.0.217 | Screw            |
| 02  | 17.0082.6.191 | Plate            |
| 03  | 18.0083.4.000 | Lever            |
| 04  | 18.0005.2.202 | Lever            |
| 05  | 17.0032.2.305 | Pin              |
| 06  | 17.0004.4.951 | Block            |
| 07  | 17.0027.4.083 | Lockwasher       |
| 08  | 17.0026.3.244 | Spring           |
| 09  | 18.0038.3.201 | Pull             |
| 10  | 17.0012.4.106 | Screw            |
| 11  | 17.0012.0.218 | Screw            |
| 12  | 17.0011.1.250 | Screw            |
| 13  | 17.0016.1.165 | Nut              |
| 14  | 18.0064.6.464 | Block            |
| 15  | 18.0033.1.400 | Screw            |
| 16  | 17.0016.1.041 | Nut              |
| 17  | 17.0012.4.103 | Screw            |
| 18  | 17.0031.3.400 | Pin              |
| 19  | 17.0026.3.168 | Spring           |
| 20  | 17.0012.0.627 | Screw            |
| 21  | 17.0082.6.227 | Holder           |
| 22  | 18.0081.5.404 | R.H. Clamp Plate |
| 23  | 18.0002.9.000 | Screw Assembly   |
| 24  | 18.0082.6.401 | Stop             |
| 25  | 17.0081.6.201 | Length Gauge     |
| 26  | 18.0004.9.578 | Adjustment Block |
| 27  | 08.6000.4.012 | Screw            |
| 28  | 08.6000.4.010 | Screw            |
| 29  | 18.0062.5.400 | Valve Actuator   |
| 30  | 18.0064.5.754 | Plate            |
| 31  | 18.0032.8.400 | Stud             |
| 32  | 17.0026.3.257 | Spring           |
| 33  | 08.6852.4.000 | Washer           |
| 34  | 18.0063.5.400 | Lever            |
| 35  | 17.0027.1.349 | Split Pins       |
| 36  | 18.0005.0.001 | Draw-off Lever   |
| 37  | 18.0062.7.404 | Actuator Lever   |
| 38  | 08.6000.5.012 | Screw            |
| 39  | 08.6850.5.000 | Washer           |
| 40  | 17.0064.6.057 | Bracket          |
| 41  | 17.0014.1.205 | Screw            |
| 42  | 18.0013.1.480 | Screw            |
| 43  | 17.0041.8.008 | Roll             |
| 44  | 17.0041.8.067 | Roll             |
| 45  | 17.0032.3.011 | Stud             |
| 46  | 08.6310.5.008 | Screw            |
| 47  | 08.6850.5.000 | Washer           |

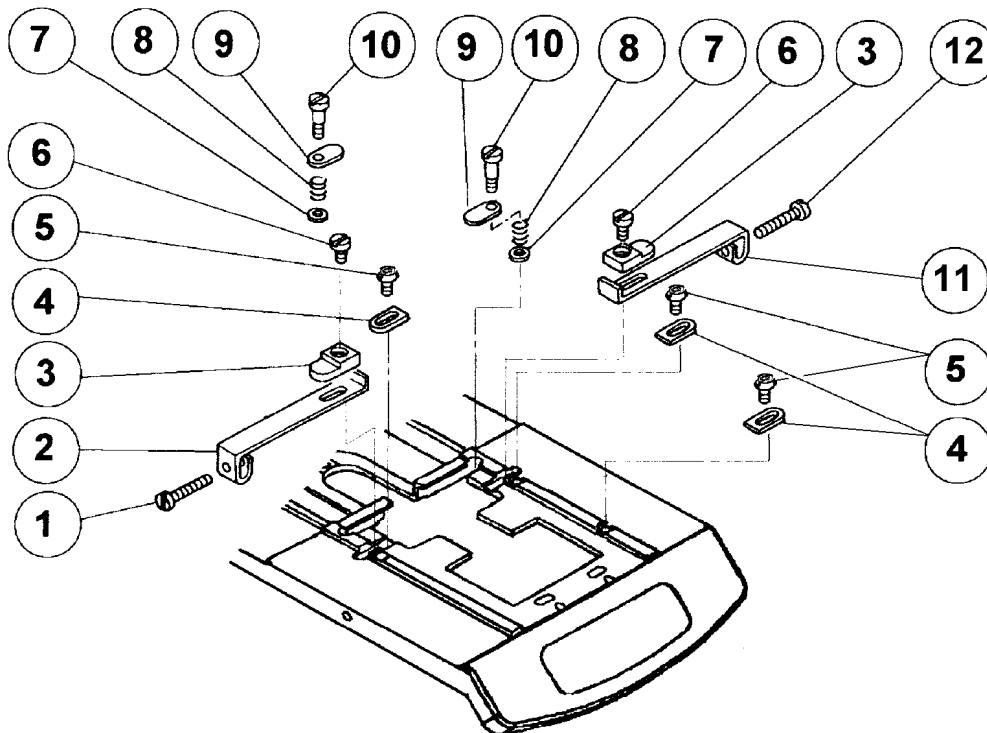
Revised 08/2003

e-mail: [service@amfreece.cz](mailto:service@amfreece.cz); [parts@amfreece.cz](mailto:parts@amfreece.cz); website: [www.amfreece.com](http://www.amfreece.com)

Phones: +420 582 309 160 (Service), +420 582 309 189 (343) (Spare Parts); Fax: +420 582 360 606

[www.promelectroavtomat.ru](http://www.promelectroavtomat.ru)

## CLAMPING





## CLAMPING

---

| DET | PART NUMBER   | DESCRIPTION |
|-----|---------------|-------------|
| 01  | 17.0012.0.204 | Screw       |
| 02  | 17.0082.5.893 | Stop        |
| 03  | 17.0064.6.130 | Block       |
| 04  | 17.0081.5.047 | Latch       |
| 05  | 17.0012.0.572 | Screw       |
| 06  | 17.0012.0.568 | Screw       |
| 07  | 17.0019.0.228 | Washer      |
| 08  | 17.0026.0.217 | Spring      |
| 09  | 17.0081.5.048 | Slide       |
| 10  | 17.0013.1.414 | Stud        |
| 11  | 17.0082.5.436 | R.H.Stop    |
| 12  | 17.0012.0.498 | Screw       |

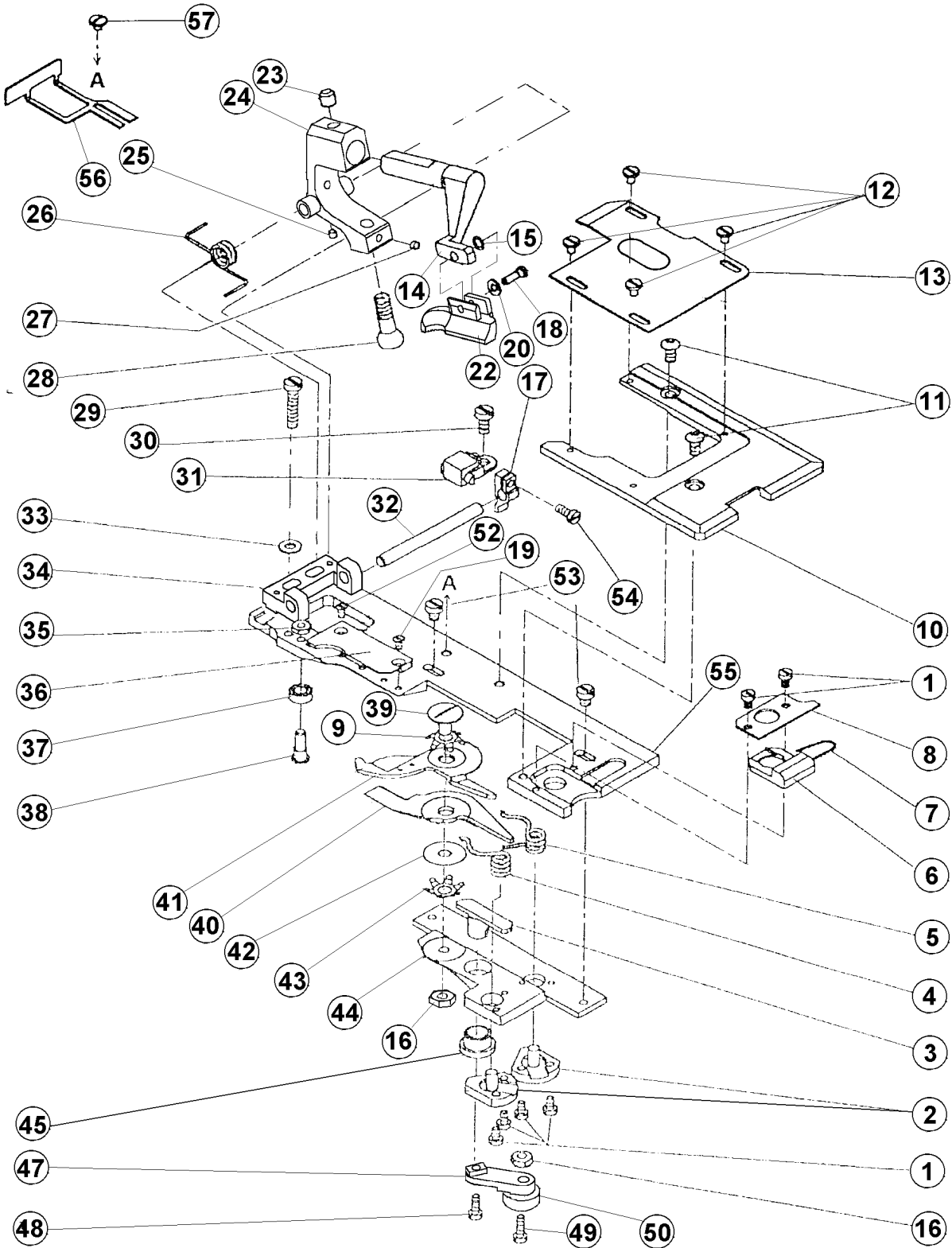
Revised 08/2003

e-mail: [service@amfreece.cz](mailto:service@amfreece.cz); [parts@amfreece.cz](mailto:parts@amfreece.cz); website: [www.amfreece.com](http://www.amfreece.com)

Phones: +420 582 309 160 (Service), +420 582 309 189 (343) (Spare Parts); Fax: +420 582 360 606

[www.promelectroavtomat.ru](http://www.promelectroavtomat.ru)

# CLAMPING RH-CT



## CLAMPING RH - CT

| DET | PART NUMBER   | DESCRIPTION          |
|-----|---------------|----------------------|
| 01  | 17.0012.0.296 | Screw                |
| 02  | 17.0044.1.259 | Spring Mount         |
| 03  | 18.0062.5.407 | Actuator             |
| 04  | 17.0026.4.065 | L.H. Spring          |
| 05  | 17.0026.4.064 | R.H. Spring          |
| 06  | 17.0062.5.164 | Latch                |
| 07  | 17.0027.1.459 | Spring               |
| 08  | 17.0081.3.910 | Cover                |
| 09  | 18.0019.6.400 | Washer               |
| 10  | 17.0074.6.170 | Cover Plate          |
| 11  | 17.0012.4.103 | Screw                |
| 12  | 17.0012.0.605 | Screw                |
| 13  | 18.0083.1.667 | Cover                |
| 14  | 17.0066.8.122 | R.H. Clamp Arm       |
| 15  | 17.0019.2.066 | Curved Spring Washer |
| 16  | 08.6710.5.000 | Nut M5               |
| 17  | 17.0063.5.245 | Spread Lock          |
| 18  | 17.0013.5.067 | Screw                |
| 19  | 17.0012.3.054 | Screw                |
| 20  | 17.0019.5.040 | Lockwasher           |
| 22  | 18.0066.7.410 | Clamp Foot           |
| 23  | 08.6400.6.006 | Screw                |
| 24  | 18.0063.5.401 | L.H. Clamp Arm Base  |
| 25  | 08.6400.4.005 | Screw                |
| 26  | 18.0026.4.401 | R.H. Spring          |
| 27  | 08.6400.4.003 | Screw                |
| 28  | 18.0015.2.400 | Screw                |
| 29  | 17.0014.1.071 | Screw                |
| 30  | 17.0012.0.234 | Screw                |
| 31  | 17.0003.5.810 | R.H. Stop            |
| 32  | 17.0034.1.234 | Shaft                |
| 33  | 08.6850.4.000 | Washer               |
| 34  | 17.0064.7.186 | Block                |
| 35  | 17.0016.1.328 | Nut                  |
| 36  | 18.0081.1.404 | L.H. Clamp Mat       |
| 37  | 17.0041.8.005 | Roll                 |
| 38  | 17.0013.1.047 | Screw                |
| 39  | 18.0013.1.490 | Pivot Screw          |
| 40  | 18.0087.0.411 | Lower Shear          |
| 41  | 18.0087.0.412 | Upper Shear          |
| 42  | 17.0019.0.680 | Washer               |
| 43  | 01.5062.0.000 | Star Spring          |
| 44  | 18.0064.8.422 | Holder               |
| 45  | 18.0042.5.404 | Bushing              |
| 47  | 18.0061.3.606 | Lower Lever          |
| 48  | 08.6200.3.008 | Screw                |
| 49  | 08.6000.5.012 | Screw                |
| 50  | 12.2010.0.003 | Bearing              |
| 52  | 17.0012.6.114 | Screw                |
| 53  | 17.0012.4.105 | Screw                |
| 54  | 17.0012.0.328 | Screw                |
| 55  | 18.0081.5.401 | R.H. Clamp Plate     |
| 56  | 17.0082.6.226 | R.H. Cloth Gauge     |
| 57  | 17.0012.4.106 | Screw                |

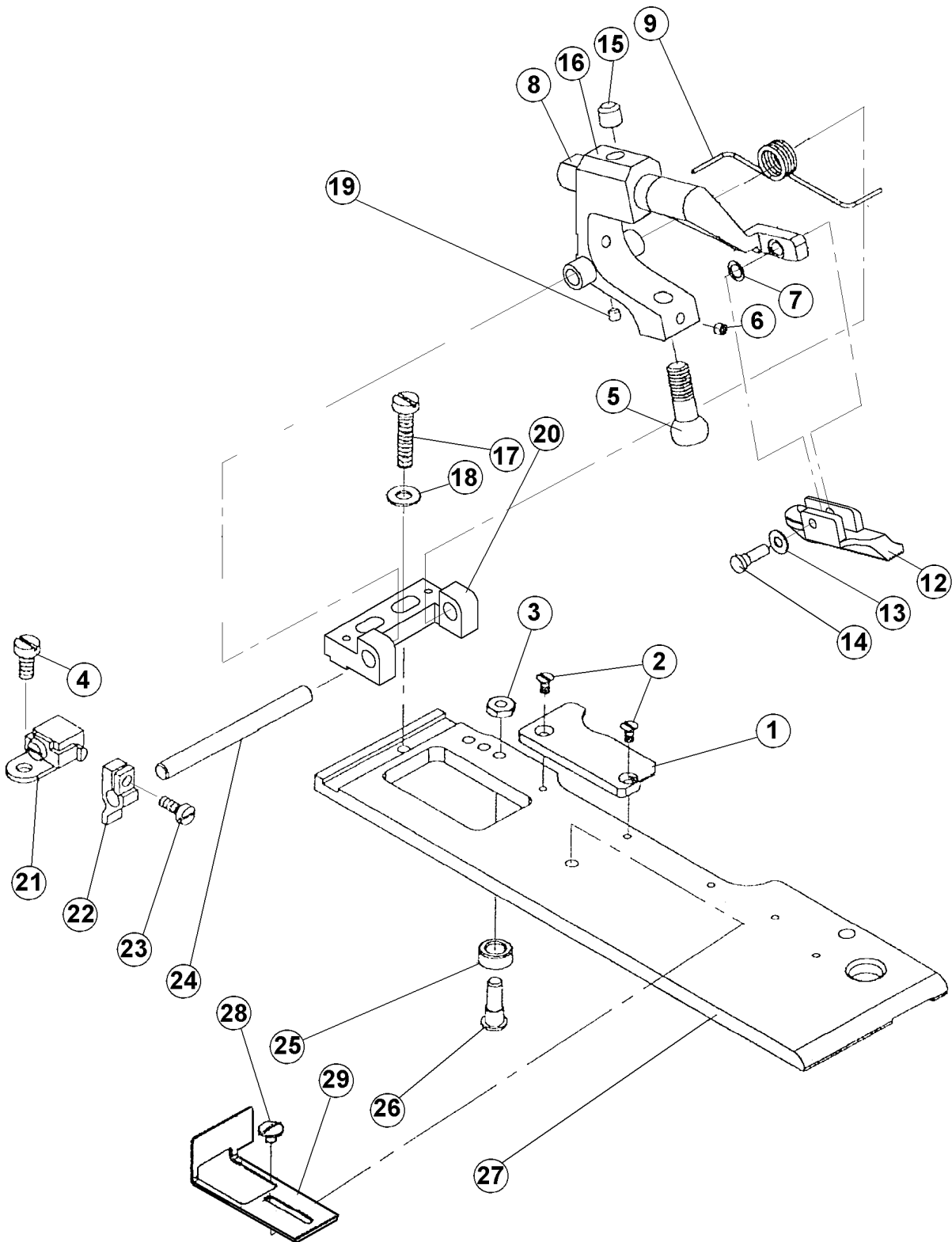
Revised 08/2003

e-mail: [service@amfreece.cz](mailto:service@amfreece.cz); [parts@amfreece.cz](mailto:parts@amfreece.cz); website: [www.amfreece.com](http://www.amfreece.com)

Phones: +420 582 309 160 (Service), +420 582 309 189 (343) (Spare Parts); Fax: +420 582 360 606

[www.promelectroavtomat.ru](http://www.promelectroavtomat.ru)

**CLAMPING LH - CT**



## CLAMPING LH - CT

---

| DET | PART NUMBER   | DESCRIPTION          |
|-----|---------------|----------------------|
| 01  | 18.0081.1.403 | L.H. Clamp Mat       |
| 02  | 17.0012.6.114 | Screw                |
| 03  | 17.0016.1.328 | Nut                  |
| 04  | 17.0012.0.234 | Screw                |
| 05  | 18.0015.2.400 | Screw                |
| 06  | 08.6400.4.003 | Screw                |
| 07  | 17.0019.2.066 | Curved Spring Washer |
| 08  | 17.0066.8.123 | L.H. Clamp Arm       |
| 09  | 18.0026.4.400 | L.H. Spring          |
| 12  | 18.0066.7.411 | L.H. Clamp Foot      |
| 13  | 17.0019.5.040 | Lockwasher           |
| 14  | 17.0013.5.067 | Screw                |
| 15  | 08.6400.6.006 | Screw                |
| 16  | 18.0063.5.401 | L.H. Clamp Arm Base  |
| 17  | 17.0014.1.071 | Screw                |
| 18  | 08.6850.4.000 | Washer               |
| 19  | 08.6400.4.005 | Screw                |
| 20  | 17.0064.7.186 | Block                |
| 21  | 17.0003.5.809 | L.H. Stop            |
| 22  | 17.0063.5.245 | Spread Lock          |
| 23  | 17.0012.0.328 | Screw                |
| 24  | 17.0034.1.234 | Shaft                |
| 25  | 17.0041.8.005 | Roll                 |
| 26  | 17.0013.1.047 | Screw                |
| 27  | 18.0081.5.402 | L.H. Clamp Plate     |
| 28  | 17.0012.4.106 | Screw                |
| 29  | 17.0082.4.548 | L.H. Cloth Gauge     |
| 34  | 08.6700.4.000 | Nut                  |
| 36  | 18.0014.7.001 | Screw                |

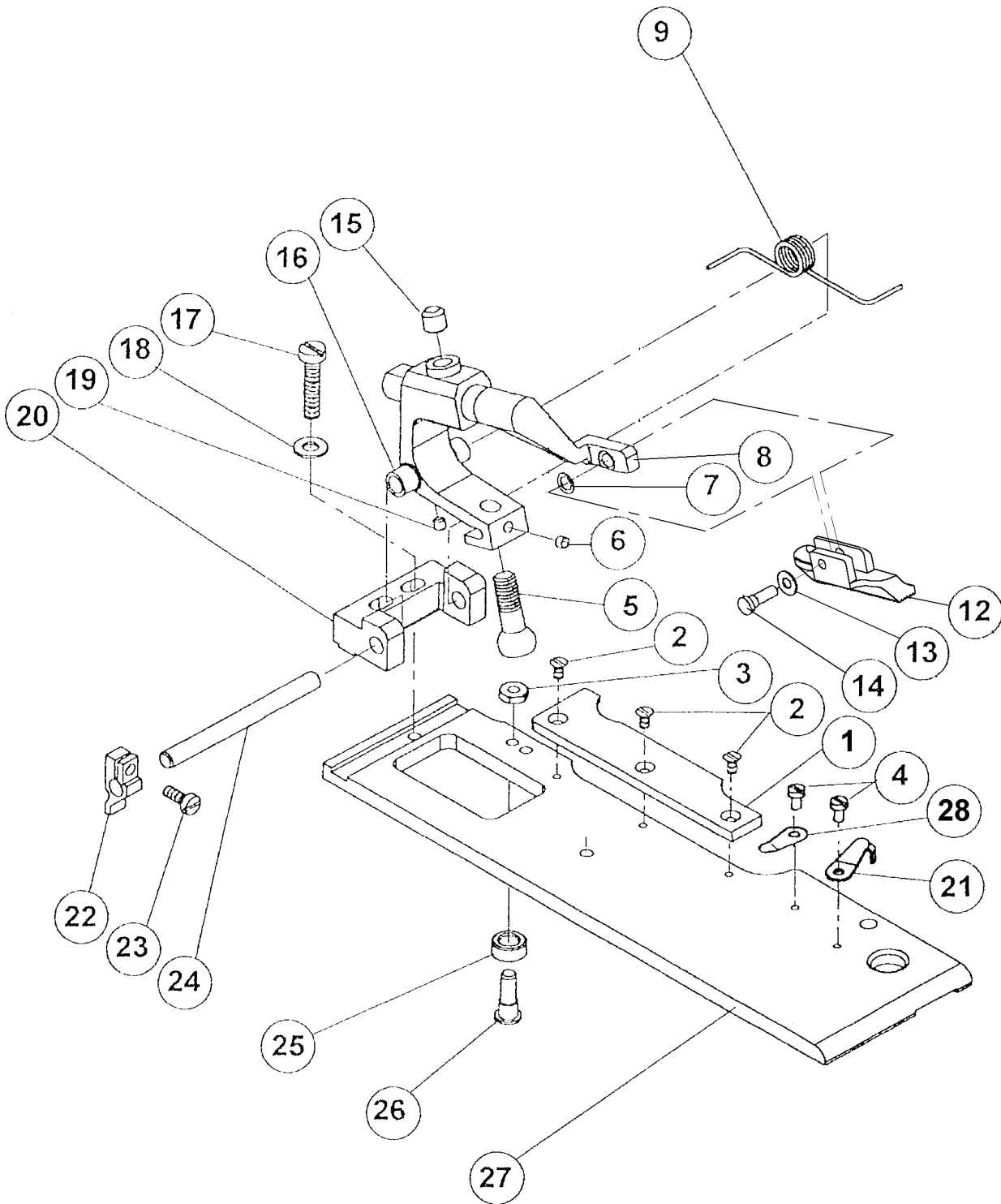
Revised 08/2003

e-mail: [service@amfreece.cz](mailto:service@amfreece.cz); [parts@amfreece.cz](mailto:parts@amfreece.cz); website: [www.amfreece.com](http://www.amfreece.com)

Phones: +420 582 309 160 (Service), +420 582 309 189 (343) (Spare Parts); Fax: +420 582 360 606

[www.promelectroavtomat.ru](http://www.promelectroavtomat.ru)

**CLAMPING LH - AF**



**CLAMPING LH - AF**

| DET | PART NUMBER   | DESCRIPTION          |
|-----|---------------|----------------------|
| 01  | 17.0081.1.645 | L.H. Clamp Mat       |
| 02  | 17.0012.6.114 | Screw                |
| 03  | 17.0016.1.328 | Nut                  |
| 04  | 17.0012.0.303 | Screw                |
| 05  | 18.0015.2.400 | Screw                |
| 06  | 08.6400.4.003 | Screw                |
| 07  | 17.0019.2.066 | Curved Spring Washer |
| 08  | 17.0066.8.123 | L.H. Clamp Arm       |
| 09  | 18.0026.4.400 | L.H. Spring          |
| 12  | 17.0066.7.157 | L.H. Clamp Foot--AF  |
| 13  | 17.0019.5.040 | Lockwasher           |
| 14  | 17.0013.5.067 | Screw                |
| 15  | 08.6400.6.006 | Screw                |
| 16  | 18.0063.5.401 | L.H. Clamp Arm Base  |
| 17  | 17.0014.1.071 | Screw                |
| 18  | 08.6850.4.000 | Washer               |
| 19  | 08.6400.4.005 | Screw                |
| 20  | 17.0064.7.186 | Block                |
| 21  | 17.0087.0.169 | Knife                |
| 22  | 17.0063.5.245 | Spread Lock          |
| 23  | 17.0012.0.328 | Screw                |
| 24  | 17.0034.1.234 | Shaft                |
| 25  | 17.0041.8.005 | Roll                 |
| 26  | 17.0013.1.047 | Screw                |
| 27  | 18.0081.5.402 | L.H.Clamp Plate      |
| 28  | 17.0082.5.884 | Clip                 |

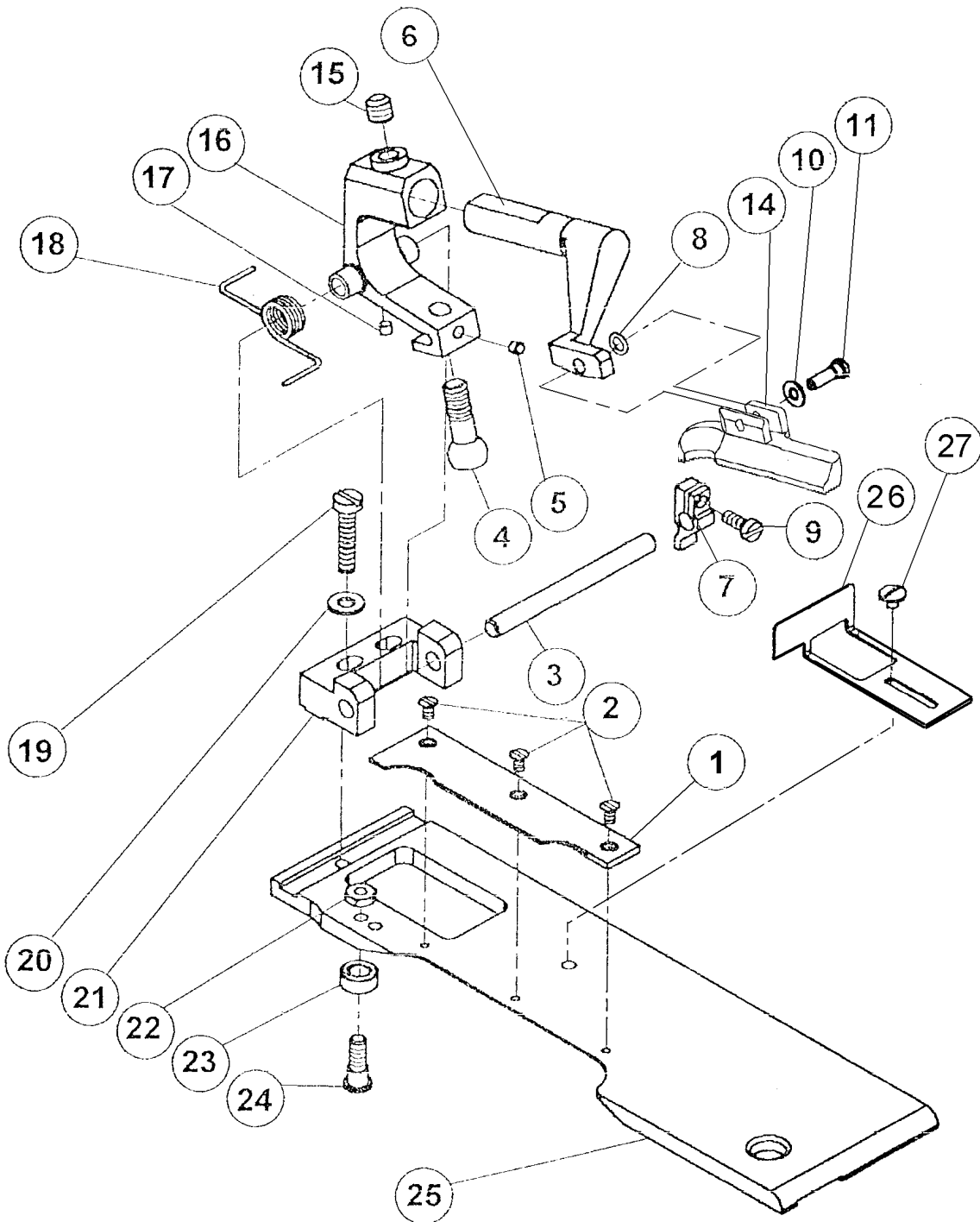
Revised 08/2003

e-mail: [service@amfreece.cz](mailto:service@amfreece.cz); [parts@amfreece.cz](mailto:parts@amfreece.cz); website: [www.amfreece.com](http://www.amfreece.com)

Phones: +420 582 309 160 (Service), +420 582 309 189 (343) (Spare Parts); Fax: +420 582 360 606

[www.promelectroavtomat.ru](http://www.promelectroavtomat.ru)

**CLAMPING RH - AF**





**CLAMPING RH - AF**

| DET | PART NUMBER   | DESCRIPTION          |
|-----|---------------|----------------------|
| 01  | 17.0081.1.646 | R.H. Clamp Mat-AF    |
| 02  | 17.0012.6.114 | Screw                |
| 03  | 17.0034.1.234 | Shaft                |
| 04  | 18.0015.2.400 | Screw                |
| 05  | 08.6400.4.003 | Screw                |
| 06  | 17.0066.8.122 | R.H. Clamp Arm       |
| 07  | 17.0063.5.245 | Spread Lock          |
| 08  | 17.0019.2.066 | Curved Spring Washer |
| 09  | 17.0012.0.328 | Screw                |
| 10  | 17.0019.5.040 | Lockwasher           |
| 11  | 17.0013.5.067 | Screw                |
| 14  | 17.0066.7.158 | R.H. Clam Foot       |
| 15  | 08.6400.6.006 | Screw                |
| 16  | 18.0063.5.401 | R.H. Clamp Arm Base  |
| 17  | 08.6400.4.005 | Screw                |
| 18  | 18.0026.4.401 | R.H. Spring          |
| 19  | 17.0014.1.071 | Screw                |
| 20  | 08.6850.4.000 | Washer               |
| 21  | 17.0064.7.186 | Block                |
| 22  | 17.0016.1.328 | Nut                  |
| 23  | 17.0041.8.005 | Roll                 |
| 24  | 17.0013.1.047 | Screw                |
| 25  | 18.0081.5.414 | R.H. Clamp Plate     |
| 26  | 17.0082.4.547 | R.H. Cloth Gauge     |
| 27  | 17.0012.4.106 | Screw                |

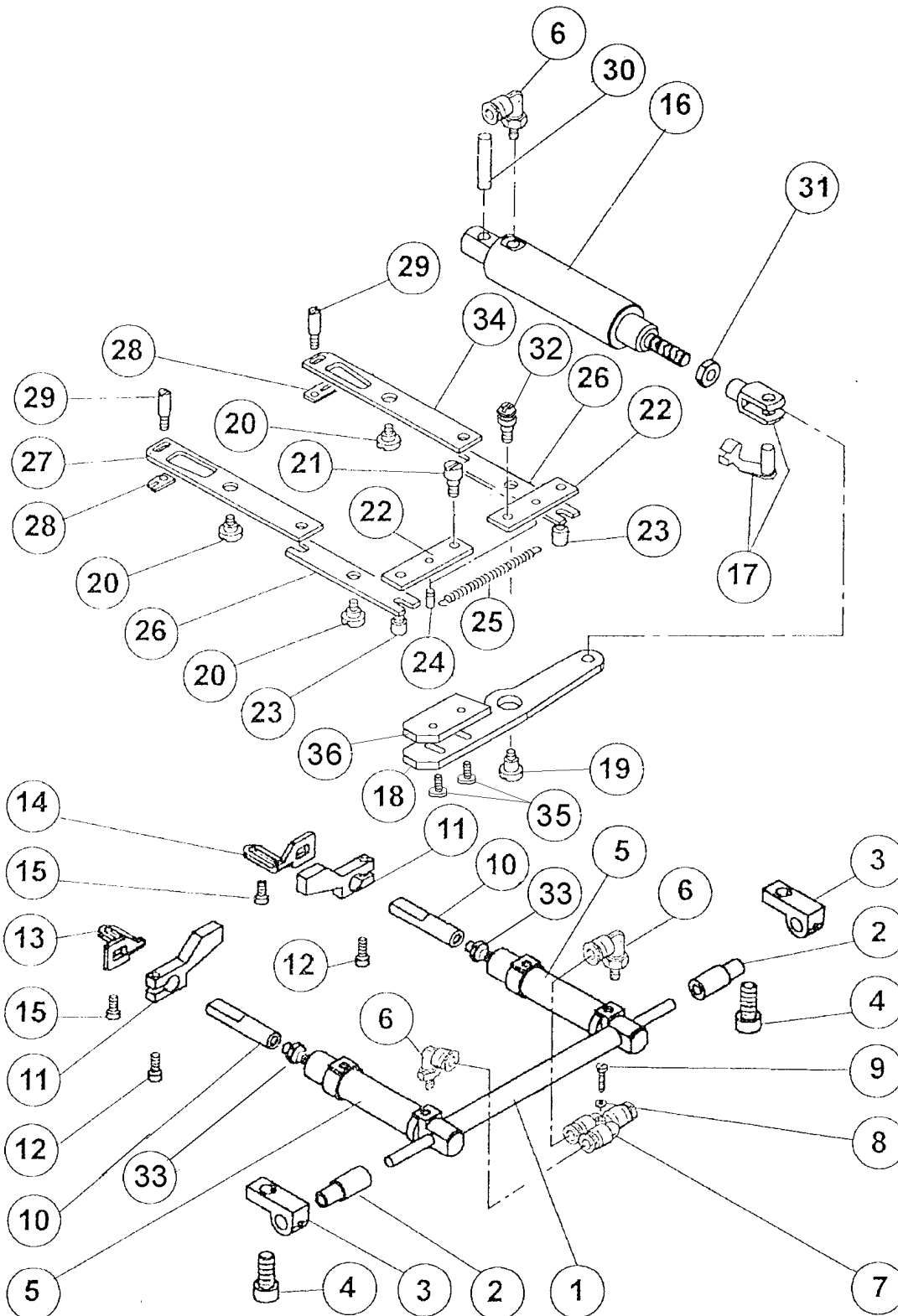
Revised 08/2003

e-mail: [service@amfreece.cz](mailto:service@amfreece.cz); [parts@amfreece.cz](mailto:parts@amfreece.cz); website: [www.amfreece.com](http://www.amfreece.com)

Phones: +420 582 309 160 (Service), +420 582 309 189 (343) (Spare Parts); Fax: +420 582 360 606

[www.promelectroavtomat.ru](http://www.promelectroavtomat.ru)

# PNEUMATIC CLAMPING



## PNEUMATIC CLAMPING

---

| DET | PART NUMBER   | DESCRIPTION            |
|-----|---------------|------------------------|
| 01  | 18.0034.2.400 | Shaft                  |
| 02  | 18.0042.1.403 | Bushing                |
| 03  | 17.0074.4.058 | Block                  |
| 04  | 17.0012.0.415 | Screw                  |
| 05  | 12.0008.3.117 | Cylinder               |
| 06  | 12.0008.3.029 | Connector              |
| 07  | 12.0008.3.031 | Connector              |
| 08  | 08.6850.3.000 | Washer                 |
| 09  | 08.6012.3.012 | Screw                  |
| 10  | 18.0031.8.400 | Cylinder Extension Pin |
| 11  | 18.0062.7.400 | Joint Plate            |
| 12  | 08.6000.4.012 | Screw                  |
| 13  | 18.0083.4.003 | L.H. Joint Plate Guide |
| 14  | 18.0083.4.004 | R.H. Joint Plate Guide |
| 15  | 08.6000.5.012 | Screw                  |
| 16  | 12.0008.3.180 | Cylinder               |
| 17  | 12.0008.3.040 | Knuckle SG-M4          |
| 18  | 18.0082.2.524 | Drive Lever            |
| 19  | 17.0013.1.320 | Screw                  |
| 20  | 17.0012.0.234 | Screw                  |
| 21  | 17.0013.1.416 | Screw                  |
| 22  | 17.0081.3.064 | Slide                  |
| 23  | 17.0031.4.031 | Roll                   |
| 24  | 17.0032.2.030 | Pin                    |
| 25  | 17.0026.3.019 | Spring                 |
| 26  | 17.0082.2.054 | Front Link             |
| 27  | 17.0002.7.148 | LH Ring Link           |
| 28  | 17.0081.5.091 | Locking Plate          |
| 29  | 17.0013.5.069 | Screw                  |
| 30  | 17.0031.0.429 | Pin                    |
| 31  | 08.6702.4.000 | Nut                    |
| 32  | 17.0013.1.445 | Pivot Screw            |
| 33  | 08.6710.6.000 | Nut                    |
| 34  | 17.0002.7.149 | R.H. Ring Link         |
| 35  | 08.6200.3.006 | Screw                  |
| 36  | 18.0081.5.424 | Plate                  |

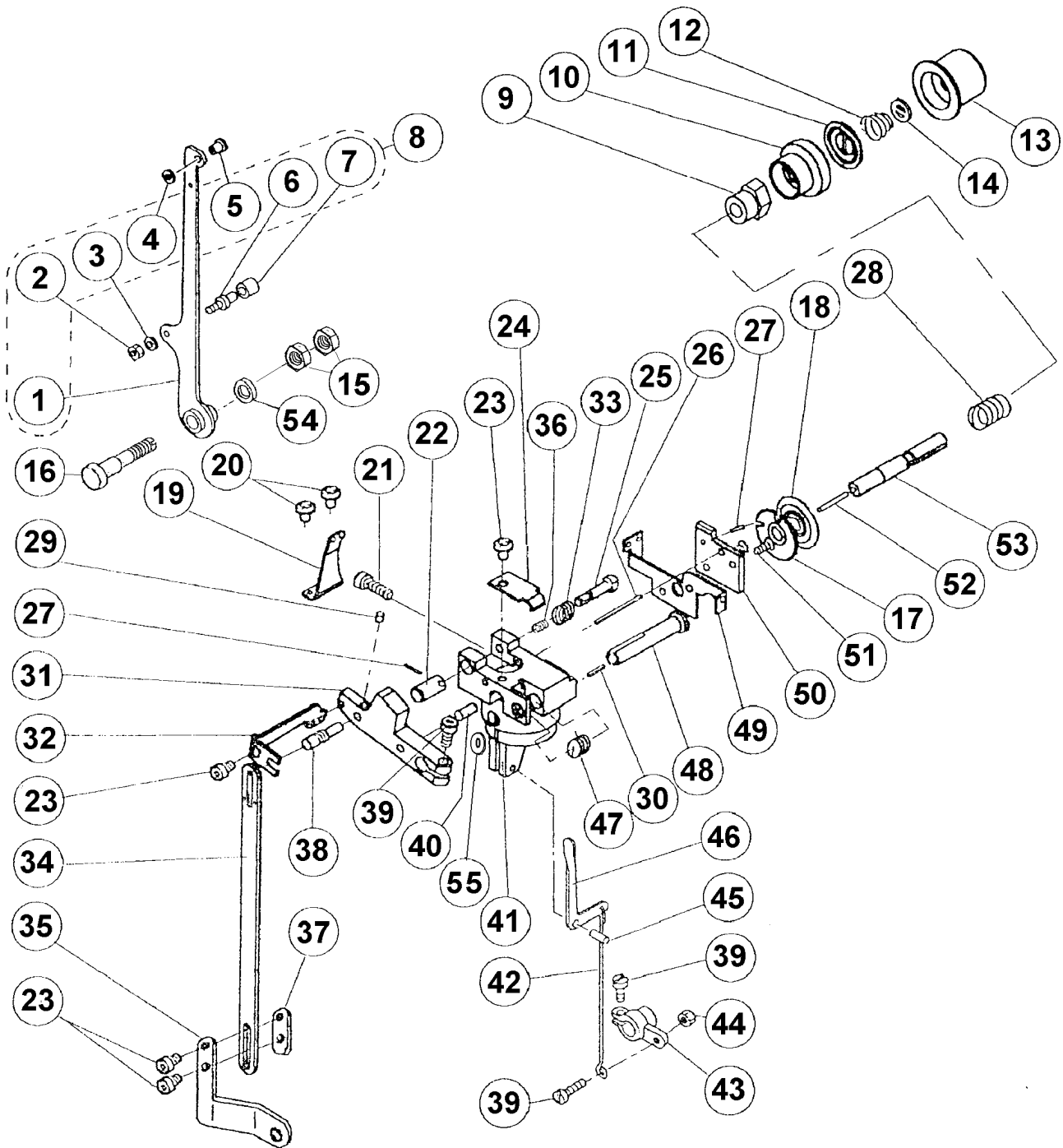
Revised 08/2003

e-mail: [service@amfreece.cz](mailto:service@amfreece.cz); [parts@amfreece.cz](mailto:parts@amfreece.cz); website: [www.amfreece.com](http://www.amfreece.com)

Phones: +420 582 309 160 (Service), +420 582 309 189 (343) (Spare Parts); Fax: +420 582 360 606

[www.promelectroavtomat.ru](http://www.promelectroavtomat.ru)

**THREAD RELEASE**



## THREAD RELEASE

| DET | PART NUMBER   | DESCRIPTION                 | DET | PART NUMBER   | DESCRIPTION          |
|-----|---------------|-----------------------------|-----|---------------|----------------------|
| 01  | 17.0004.9.849 | Take-Up Lever               | 29  | 08.6400.3.004 | Screw                |
| 02  | 17.0016.1.140 | Nut                         | 30  | 17.0031.0.425 | Pin                  |
| 03  | 17.0019.0.346 | Washer                      | 31  | 18.0062.7.403 | Bracket              |
| 04  | 17.0044.1.286 | Bushing                     | 32  | 18.0082.2.520 | Lever                |
| 05  | 17.0042.1.332 | Bushing                     | 33  | 17.0026.0.553 | Spring               |
| 06  | 17.0033.3.130 | Stud                        | 34  | 18.0081.0.502 | Lever                |
| 07  | 17.0041.8.003 | Roll                        | 35  | 17.0082.2.481 | Bracket              |
| 08  | 17.0002.5.228 | Take-Up Lever Assembly      | 36  | 17.0026.1.084 | Spring               |
| 09  | 17.0016.1.302 | Nut                         | 37  | 17.0081.0.485 | Lock Plate           |
| 10  | 17.0042.6.078 | Bushing                     | 38  | 18.0032.2.400 | Pin                  |
| 11  | 17.0082.8.060 | Washer                      | 39  | 08.6010.4.012 | Screw                |
| 12  | 17.0026.2.072 | Spring                      | 40  | 17.0031.0.352 | Pin                  |
| 13  | 18.0017.2.400 | Nut                         | 41  | 18.0074.4.522 | Holder               |
| 14  | 17.0019.5.019 | Washer                      | 42  | 17.0027.1.345 | Tension Release Link |
| 15  | 08.6710.8.400 | Nut                         | 43  | 17.0061.3.351 | Lever                |
| 16  | 18.0033.2.404 | Stud                        | 44  | 17.0016.1.165 | Nut                  |
| 17  | 18.0082.8.401 | Tension Disc                | 45  | 17.0013.5.067 | Srew                 |
| 18  | 17.0082.8.071 | Tension Disc                | 46  | 17.0061.6.028 | Release Lever        |
| 19  | 18.0082.1.401 | Needle Thread Tension Guide | 47  | 17.0026.4.257 | Spring               |
| 20  | 08.6010.3.006 | Screw                       | 48  | 17.0032.8.134 | Pin                  |
| 21  | 08.6000.4.014 | Screw                       | 49  | 18.0082.1.400 | Bracket              |
| 22  | 17.0031.8.198 | Stud                        | 50  | 18.0081.5.400 | Pin Holder           |
| 23  | 17.0012.4.103 | Screw                       | 51  | 17.0012.6.078 | Screw                |
| 24  | 17.0081.5.197 | Cover Plate                 | 52  | 17.0031.0.440 | Pin                  |
| 25  | 17.0032.6.230 | Stud                        | 53  | 17.0033.5.138 | Stud                 |
| 26  | 18.0031.0.482 | Pin                         | 54  | 17.0019.0.251 | Washer               |
| 27  | 17.0031.0.328 | Pin                         | 55  | 18.0019.0.688 | Washer               |
| 28  | 17.0026.2.078 | Spring                      | 56  |               |                      |

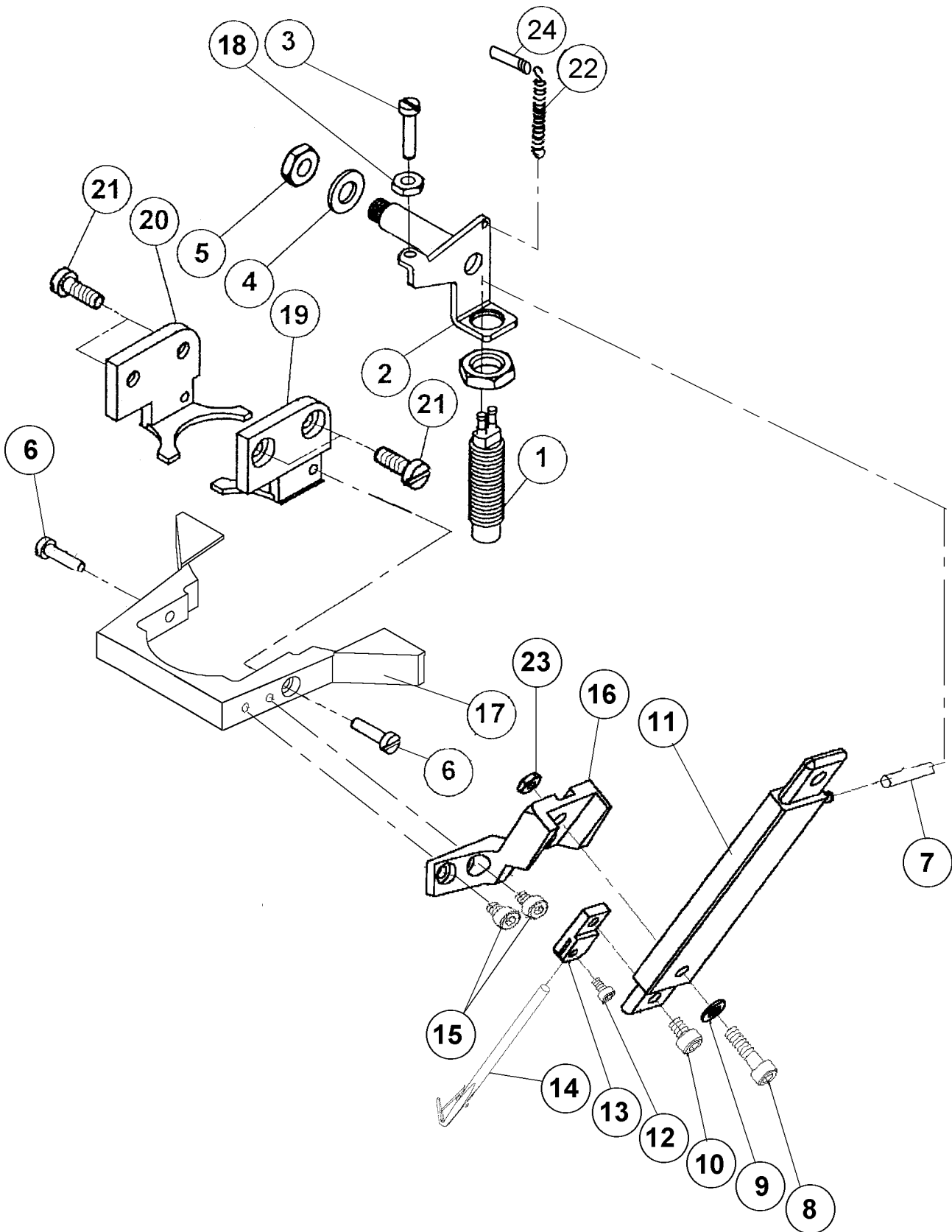
Revised 08/2003

e-mail: [service@amfreece.cz](mailto:service@amfreece.cz); [parts@amfreece.cz](mailto:parts@amfreece.cz); website: [www.amfreece.com](http://www.amfreece.com)

Phones: +420 582 309 160 (Service), +420 582 309 189 (343) (Spare Parts); Fax: +420 582 360 606

[www.promelectroavtomat.ru](http://www.promelectroavtomat.ru)

**THREAD PICK-UP**



## THREAD PICK-UP

---

| DET | PART NUMBER   | DESCRIPTION           |
|-----|---------------|-----------------------|
| 01  | 12.0008.3.115 | Actuator Switch       |
| 02  | 18.0083.4.006 | Valve Bracket         |
| 03  | 08.6400.4.014 | Screw                 |
| 04  | 08.6850.8.000 | Washer                |
| 05  | 17.0016.1.190 | Nut                   |
| 06  | 08.6010.4.010 | Screw                 |
| 07  | 12.0008.3.018 | Air Tubing            |
| 08  | 08.6000.5.020 | Screw                 |
| 09  | 08.6850.5.000 | Washer                |
| 10  | 08.6000.5.008 | Screw                 |
| 11  | 19.0008.3.301 | Cylinder              |
| 12  | 08.6000.3.006 | Screw                 |
| 13  | 17.0064.8.401 | Thread Pick-Up Holder |
| 14  | 18.0027.2.400 | Thread Pick-Up        |
| 15  | 08.6000.4.010 | Screw                 |
| 16  | 18.0062.2.406 | Cylinder Holder       |
| 17  | 18.0074.6.219 | Segment Cover         |
| 18  | 08.6700.4.000 | Nut                   |
| 19  | 17.0064.7.000 | Plate                 |
| 20  | 17.0064.7.164 | Plate                 |
| 21  | 17.0012.0.229 | Screw                 |
| 22  | 17.0026.3.189 | Spring                |
| 23  | 08.6700.5.000 | Nut                   |
| 24  | 17.0031.0.199 | Pin                   |

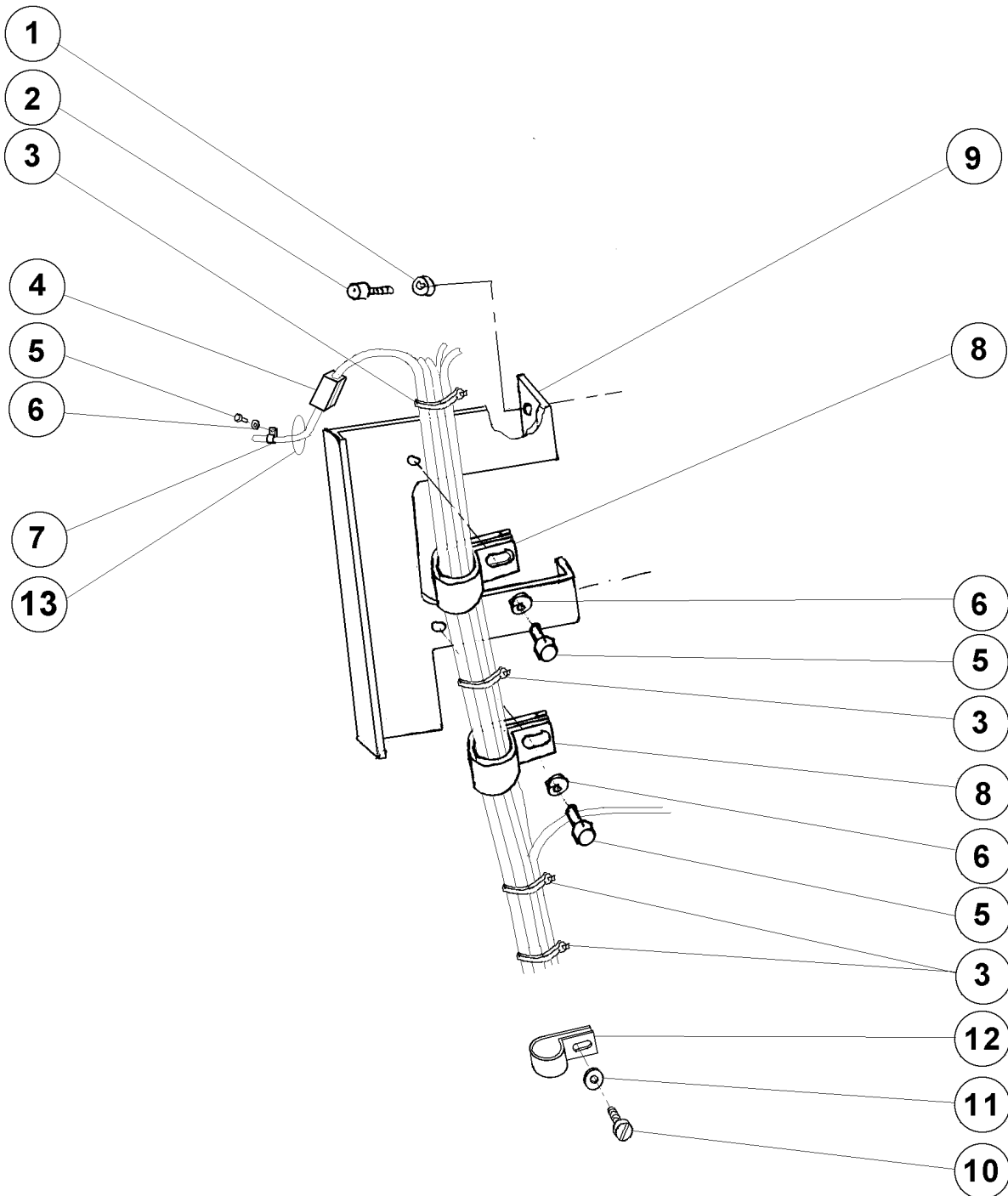
Revised 08/2003

e-mail: [service@amfreece.cz](mailto:service@amfreece.cz); [parts@amfreece.cz](mailto:parts@amfreece.cz); website: [www.amfreece.com](http://www.amfreece.com)

Phones: +420 582 309 160 (Service), +420 582 309 189 (343) (Spare Parts); Fax: +420 582 360 606

[www.promelectroavtomat.ru](http://www.promelectroavtomat.ru)

# WIRE MANAGEMENT





## WIRE MANAGEMENT

---

| DET | PART NUMBER   | DESCRIPTION        |
|-----|---------------|--------------------|
| 01  | 08.6852.6.000 | Washer             |
| 02  | 08.6202.6.012 | Screw              |
| 03  | 12.0008.3.023 | Ty-wrap            |
| 04  | 12.0008.4.263 | Sleeve Snap        |
| 05  | 08.6200.4.006 | Screw              |
| 06  | 08.6852.4.000 | Washer             |
| 07  | 12.0008.4.277 | Cord Clamp         |
| 08  | 12.0008.4.253 | Cord Clamp         |
| 09  | 18.0082.3.403 | Bracket            |
| 10  | 17.0092.4.103 | Screw              |
| 11  | 08.6850.4.000 | Washer             |
| 12  | 12.0008.4.100 | Cord Clamp         |
| 13  | 18.0007.9.508 | Cable Synchronizer |

Revised 08/2003

e-mail: [service@amfreece.cz](mailto:service@amfreece.cz); [parts@amfreece.cz](mailto:parts@amfreece.cz); website: [www.amfreece.com](http://www.amfreece.com)

Phones: +420 582 309 160 (Service), +420 582 309 189 (343) (Spare Parts); Fax: +420 582 360 606

[www.promelectroavtomat.ru](http://www.promelectroavtomat.ru)



**REGULAR TABLE**

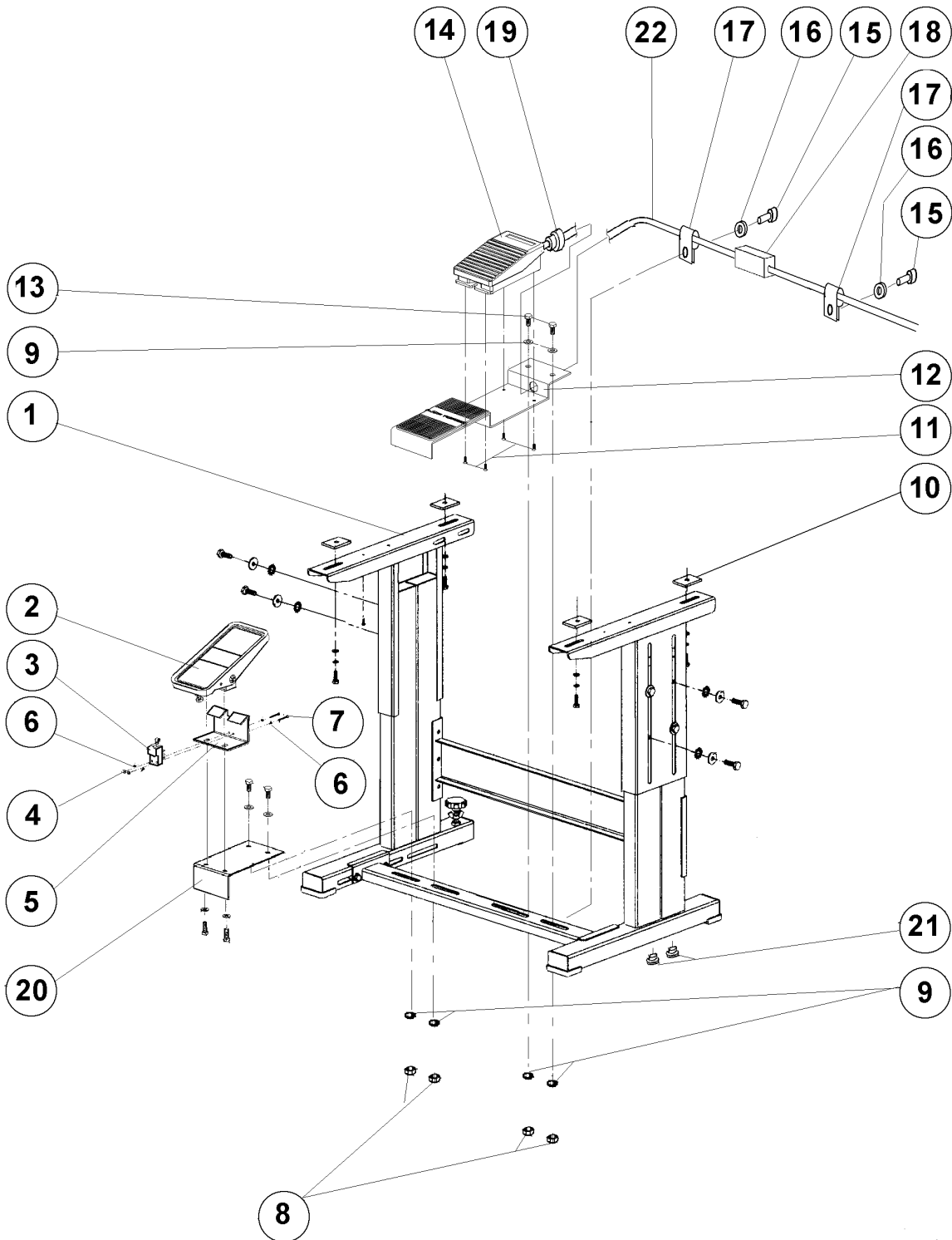
| DET | PART NUMBER   | DESCRIPTION                   | DET | PART NUMBER   | DESCRIPTION  |
|-----|---------------|-------------------------------|-----|---------------|--|
| 01  | 12.0008.4.403 | Halogen Lamp Kit 12V          | 50  | 08.6000.4.010 | Screw  |
| 02  | 08.6532.8.070 | Screw                         | 51  | 12.0008.4.380 | Holder Motor   |
| 03  | 17.0094.6.009 | Thread Stand Asm.             | 52  | 12.0008.4.072 | Folding Belt   |
| 04  | 08.6100.4.006 | Screw                         | 53  | 08.6632.3.016 | Screw  |
| 05  | 24.0040.0.000 | Regulator/Delay Valve Bracket | 54  | 18.0042.7.402 | Rubber Washer  |
| 06  | 08.6000.6.020 | Screw                         | 55  | 18.0083.1.665 | Cover  |
| 07  | 12.0008.3.045 | Connector                     | 56  | 18.0083.1.666 | Cover  |
| 08  | 12.0008.3.075 | Regulator                     | 57  | 24.0060.0.000 | Cover  |
| 09  | 12.0008.3.017 | Connector                     | 58  | 08.6845.4.000 | Washer Polyamid                                      |
| 10  | 12.0008.3.111 | Plug Connector                | 59  | 08.6852.4.000 | Washer   |
| 11  | 08.6000.4.008 | Screw                         | 60  | 08.6032.4.008 | Screw  |
| 12  | 12.0008.3.108 | Pneumatic Valve               | 61  | 12.0008.4.154 | Label  |
| 13  | 12.0008.3.024 | Screw                         | 62  | 08.6652.3.016 | Screw  |
| 14  | 12.0008.3.030 | Connector                     | 63  | 17.0095.1.272 | Washer   |
| 15  | 12.0008.3.141 | Screw                         | 64  | 12.0008.6.402 | Screw  |
| 16  | 12.0008.3.018 | Air Tubing                    | 65  | 12.0008.6.403 | Nut  |
| 17  | 12.0008.3.046 | Valve                         | 66  | 12.0008.6.401 | Pulley   |
| 18  | 08.6000.4.020 | Screw                         | 67  | 08.6852.8.000 | Washer   |
| 19  | 12.0008.3.107 | Silencer                      | 68  | 08.6722.8.000 | Nut  |
| 20  | 12.0008.3.126 | Manifold                      | 69  | 18.0082.6.408 | Castle   |
| 21  | 12.0008.3.019 | Air Tubing                    | 70  | See Page 3-83 | Electric Box   |
| 22  | 12.0008.3.026 | Connector                     | 71  | 12.0008.4.902 | Cable  |
| 23  | 12.0008.3.002 | Plug                          | 72  | 12.0008.4.286 | Connector  |
| 24  | 12.0008.3.098 | Pneumatic Switch              | 73  | 12.0008.4.281 | Cable  |
| 25  | 08.6800.6.000 | Spring Washer                 | 74  | 12.0008.4.690 | Monitoring Overvoltage /<br>Undervoltage Relay HRN-3 |
| 26  | 08.6850.6.000 | Washer                        | 75  | 12.0008.4.284 | Motor Circuit Breaker                                |
| 27  | 12.0008.4.199 | LCD Display                   | 76  | 12.0008.4.907 | Label (AMF REECE)                                    |
| 28  | 24.0091.0.000 | Electrical Box                | 77  | 12.0008.4.903 | Label (1x230V, 4A, 50/60Hz)                          |
| 29  | 12.5050.1.012 | V-Belt                        | 78  | 12.0008.4.260 | Cable  |
| 30  | 12.5050.1.011 | V-Belt                        | 79  | 12.0008.4.259 | Cable  |
| 31  | 12.0008.4.258 | Sew Motor                     | 80  | 12.0008.4.262 | Cable  |
| 32  | 12.0008.4.257 | Table Motor                   | 81  | 12.0008.4.261 | Cable  |
| 33  | 12.0008.4.687 | Enclosure Assembly            | 82  | 12.0008.4.366 | Straight Conduit Fitting                             |
| 34  | 12.0008.4.xxx | Label (Motor FA1-4A)          | 83  | 12.0008.4.369 | Stopper  |
| 35  | 17.0012.0.266 | Screw M4x6                    | 84  | 12.0008.4.370 | Nut  |
| 36  | 17.0083.6.357 | Switchbox Bracket             | 85  | 18.0007.9.505 | Pneumatic Switch Cable                               |
| 37  | 08.6752.6.000 | Nut M6x12x12                  | 86  | 05.1392.0.000 | Label (AMF REECE)                                    |
| 38  | 12.0008.6.910 | Drawer Kit                    | 87  | 12.0008.4.404 | Fuse Bushing   |
| 39  | 12.0008.4.307 | Wire Raceway                  | 88  | 12.0008.4.405 | Fuse F630mA  |
| 40  | 12.8000.0.001 | Electrical Box Wiring Decal   | 89  | 12.8000.0.002 | Fuse Label   |
| 41  | 18.0091.0.400 | XL-21 Regular Table Top       | 90  |               | Cable (Switch Stop)                                  |
| 42  | 08.6663.5.025 | Screw                         | 91  | 12.0008.4.472 | Fan Cover With Filter                                |
| 43  | 12.0008.4.376 | Wire Raceway                  | 92  | 18.0007.9.011 | Box Fan  |
| 44  | 12.0008.3.004 | Connector                     | 93  | 08.6100.4.020 | Screw  |
| 45  | 12.0008.3.082 | Pressure Switch               | 94  | 08.6850.4.000 | Washer   |
| 46  | 12.0008.3.029 | Connector                     | 95  | 08.6700.4.000 | Nut  |
| 47  | 24.0057.0.000 | Holder                        | 96  | 18.0007.9.504 | Cabler Air Pressure Switch                           |
| 48  | 12.0008.4.378 | High Voltage Decal (Large)    | 97  | 08.6032.2.020 | Screw  |
| 49  | 08.6532.8.080 | Screw                         | 98  | 08.6702.2.000 | Nut  |

Revised 08/2003

e-mail: [service@amfreece.cz](mailto:service@amfreece.cz); [parts@amfreece.cz](mailto:parts@amfreece.cz); website: [www.amfreece.com](http://www.amfreece.com)

Phones: +420 582 309 160 (Service), +420 582 309 189 (343) (Spare Parts); Fax: +420 582 360 606

# PARALLEL TABLE



**PARALLEL TABLE**

| DET | PART NUMBER   | DESCRIPTION                    |
|-----|---------------|--------------------------------|
| 01  | 04.9000.2.123 | Frame Kit                      |
| 02  | 12.0008.6.503 | Small Foot Pedal Assembly      |
| 03  | 12.0008.3.084 | Microswitch                    |
| 04  | 08.6700.3.000 | Hex Nut M3                     |
| 05  | 22.0203.0.000 | Air Start Foot Treadle Bracket |
| 06  | 08.6800.4.000 | Washer                         |
| 07  | 08.6000.4.025 | Screw M4x25                    |
| 08  | 08.6702.8.000 | Nut M8                         |
| 09  | 08.6852.8.000 | Washer 8.4                     |
| 10  | 17.0094.0.200 | Washer                         |
| 11  | 08.6100.4.012 | Screw M4x12                    |
| 12  | 24.0097.0.000 | Holder Pedal                   |
| 13  | 08.6312.8.020 | Screw M8x20                    |
| 14  | 12.0008.4.204 | Pedal                          |
| 15  | 08.6000.5.006 | Screw                          |
| 16  | 08.6852.5.000 | Washer                         |
| 17  | 12.0008.4.280 | Cord Clamp                     |
| 18  | 12.0008.4.263 | Sleeve Snap                    |
| 19  | 12.0008.4.240 | Cable Bushing                  |
| 20  | 18.0083.6.616 | Foot Holder                    |
| 21  | 12.0008.4.471 | Cable Buishing                 |
| 22  | 18.0007.9.510 | Start Cable                    |

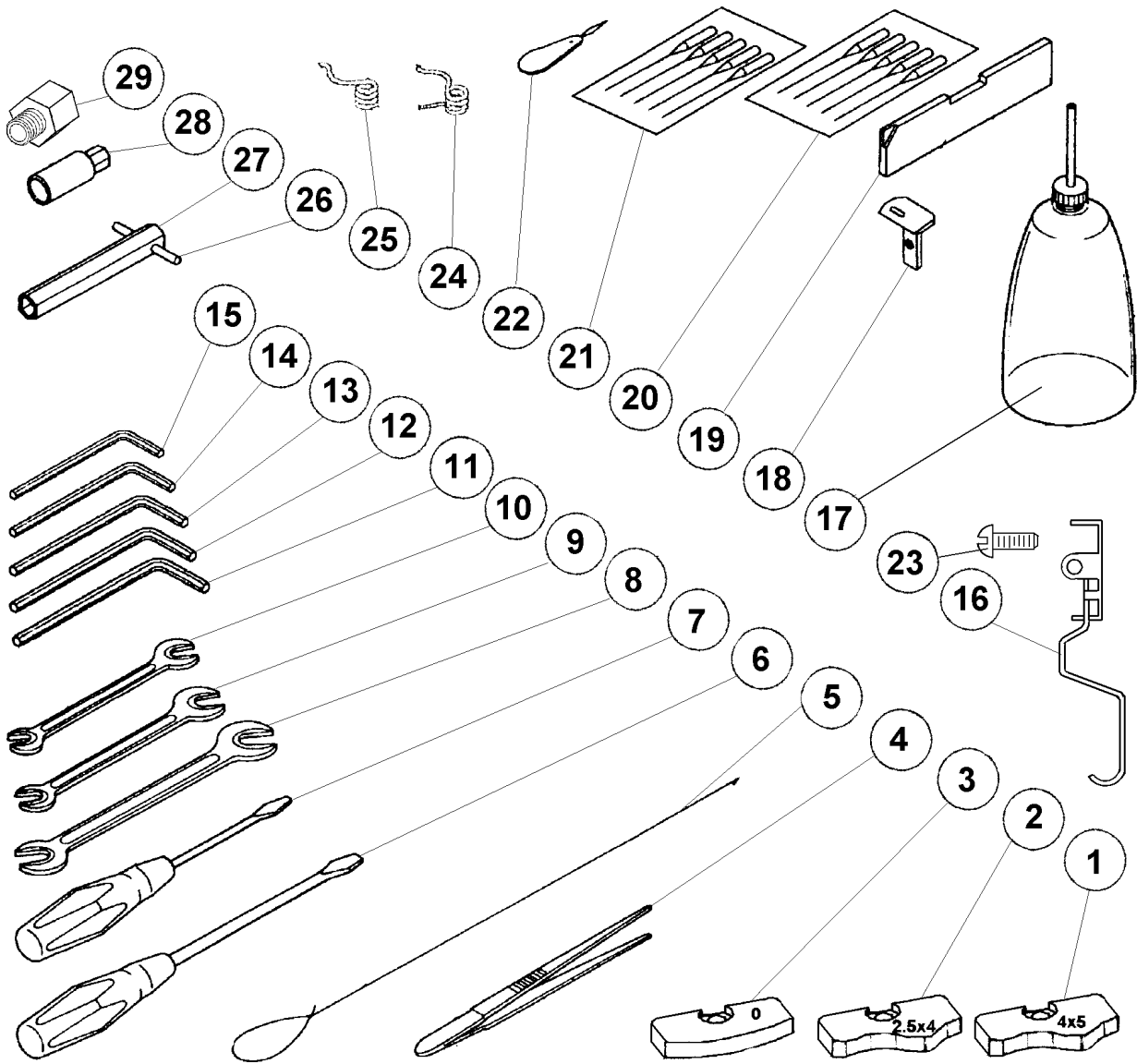
Revised 08/2003

e-mail: [service@amfreece.cz](mailto:service@amfreece.cz); [parts@amfreece.cz](mailto:parts@amfreece.cz); website: [www.amfreece.com](http://www.amfreece.com)

Phones: +420 582 309 160 (Service), +420 582 309 189 (343) (Spare Parts); Fax: +420 582 360 606

[www.promelectroavtomat.ru](http://www.promelectroavtomat.ru)

**TOOLS / ACCESSORIES**



**TOOLS / ACCESSORIES**

| DET | PART NUMBER   | DESCRIPTION                         |
|-----|---------------|-------------------------------------|
| 01  | 18.0067.2.404 | Segment 4x5                         |
| 02  | 18.0067.2.402 | Segment 2.5x4                       |
| 03  | 18.0067.2.405 | Segment 0                           |
| 04  | 12.0008.6.215 | Tweezers                            |
| 05  | 17.0027.1.223 | Thread Wire                         |
| 06  | 17.0003.8.035 | Screwdriver                         |
| 07  | 17.0003.8.034 | Fork Spanner (13x16)                |
| 08  | 12.0008.6.107 | Wrench                              |
| 09  | 12.0008.6.109 | Wrench                              |
| 10  | 12.0008.6.111 | Fork Spanner (5.5x7)                |
| 11  | 12.0008.6.104 | Allen Key Wrench 6                  |
| 12  | 12.0008.6.103 | Allen Key Wrench 5                  |
| 13  | 12.0008.6.102 | Allen Key Wrench 4                  |
| 14  | 12.0008.6.101 | Allen Key Wrench 3                  |
| 15  | 12.0008.6.100 | Allen Key Wrench 2                  |
| 16  | 10.1215.0.050 | Needle Guard Assembly               |
| 17  | 05.1322.0.000 | Oil Can                             |
| 18  | 17.0064.7.275 | Throat Plate Gauge                  |
| 19  | 17.0082.6.242 | Gauge                               |
| 20  | 02.0503.3.113 | Needles                             |
| 21  | 02.0501.0.111 | Needles                             |
| 22  | 12.0008.6.200 | Needle Threader                     |
| 23  | 08.6032.4.008 | Screw                               |
| 24  | 17.0026.4.064 | R.H. Spring*CT                      |
| 25  | 17.0026.4.065 | L.H. Spring*CT                      |
| 26  | 17.0038.4.056 | Pin                                 |
| 27  | 17.0084.1.564 | Socket Wrench                       |
| 28  | 17.0016.3.105 | Pin Remover                         |
| 29  | 12.0008.3.081 | Pneumatic Adapter (1/8" / NPT 1/8") |

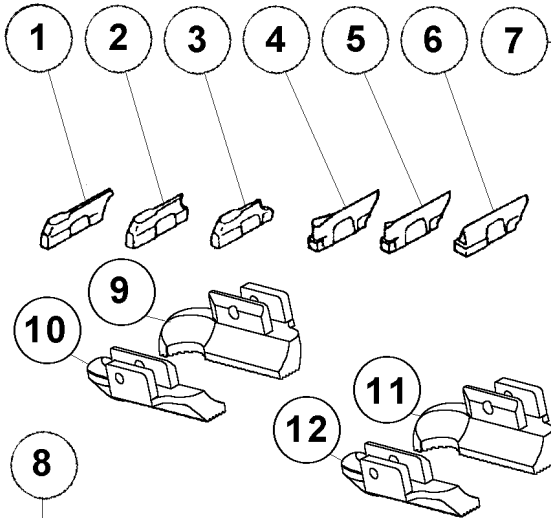
Revised 08/2003

e-mail: [service@amfreece.cz](mailto:service@amfreece.cz); [parts@amfreece.cz](mailto:parts@amfreece.cz); website: [www.amfreece.com](http://www.amfreece.com)

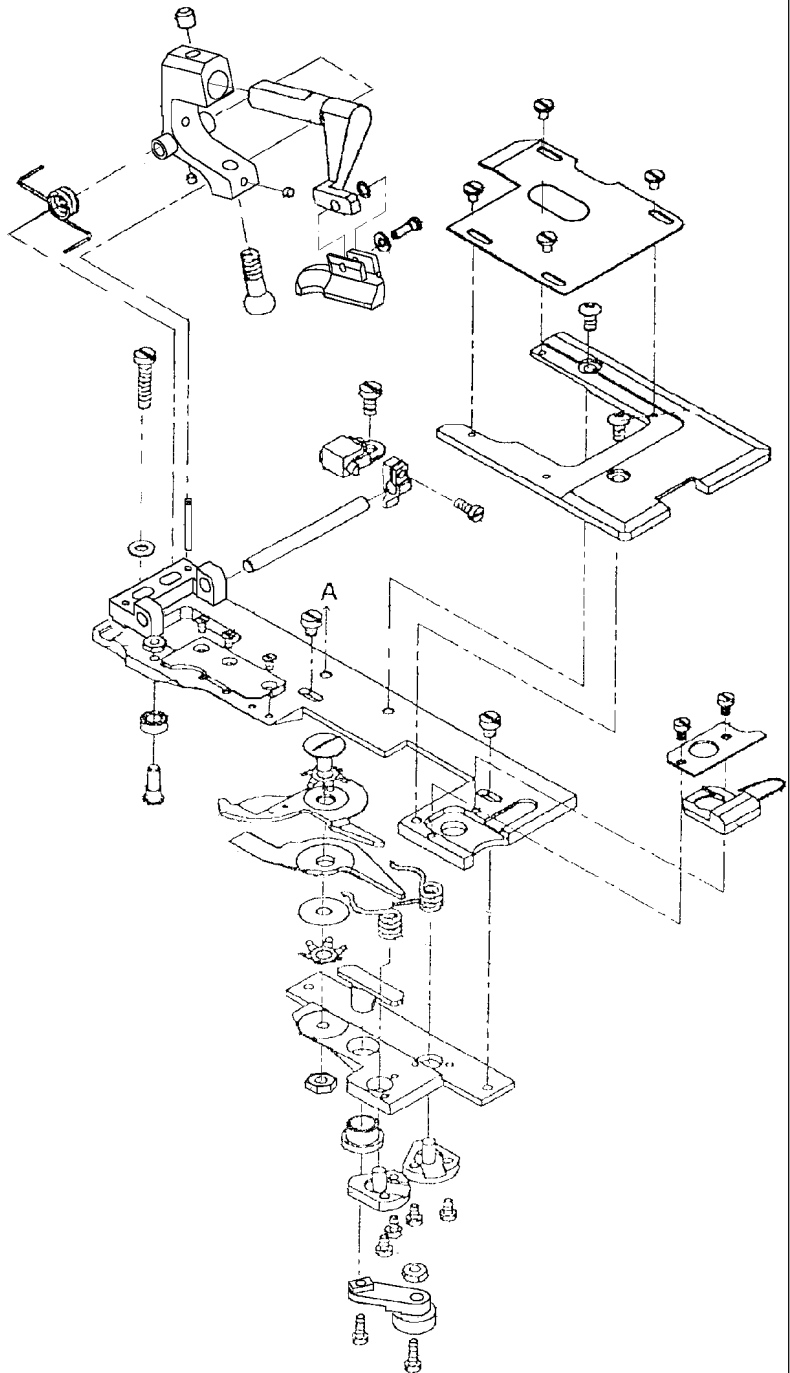
Phones: +420 582 309 160 (Service), +420 582 309 189 (343) (Spare Parts); Fax: +420 582 360 606

[www.promelectroavtomat.ru](http://www.promelectroavtomat.ru)

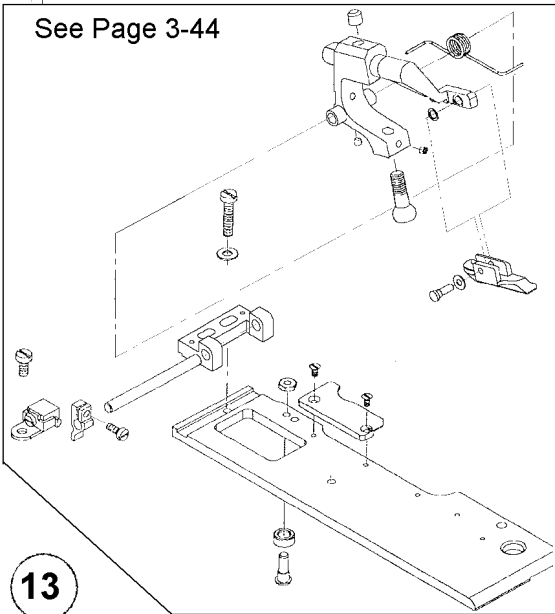
**ACCESSORIES - CT**



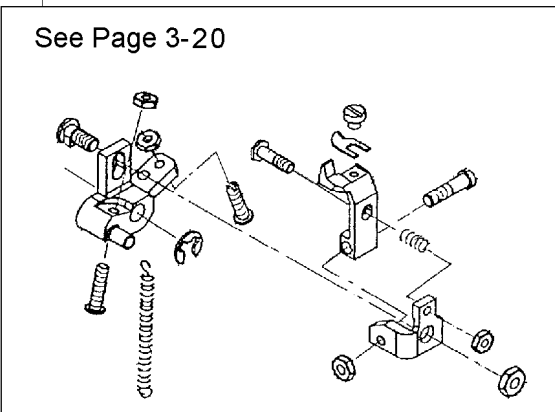
See Page 3-42



See Page 3-44



See Page 3-20





**ACCESSORIES - CT**

---

| DET | PART NUMBER   | DESCRIPTION                    |
|-----|---------------|--------------------------------|
| 01  | 19.0064.5.852 | Cutting Steel*22mm             |
| 02  | 19.0064.5.952 | Cutting Steel*19mm             |
| 03  | 19.0064.5.849 | Cutting Steel*16mm             |
| 04  | 18.0087.0.408 | Eye Knife 3/5 CB - CT OPT.)    |
| 05  | 18.0087.0.407 | Eye Knife* CA - CT             |
| 06  | 17.0064.6.325 | No Eye Knife*CT OPT.)          |
| 07  | 18.0003.1.648 | L.H. Clamp Plate Asm.*CT       |
| 08  | 18.0003.1.647 | R.H. Clamp Plate Asm.*CT       |
| 09  | 18.0066.7.408 | R.H. Clamp Foot (Heavy Fabric) |
| 10  | 18.0066.7.409 | L.H. Clamp Foot (Heavy Fabric) |
| 11  | 18.0066.7.412 | R.H. Clamp Foot (Thin Fabric)  |
| 12  | 18.0066.7.413 | L.H. Clamp Foot (Thin Fabric)  |
| 13  | 17.0002.5.278 | CT-Knife Assembly              |

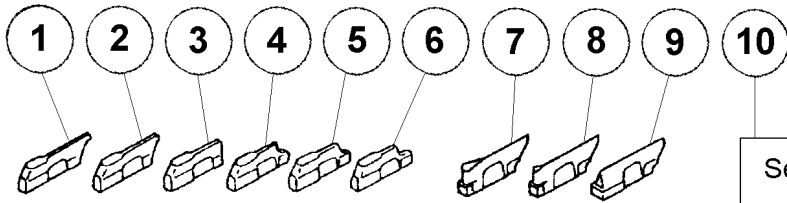
Revised 08/2003

e-mail: [service@amfreece.cz](mailto:service@amfreece.cz); [parts@amfreece.cz](mailto:parts@amfreece.cz); website: [www.amfreece.com](http://www.amfreece.com)

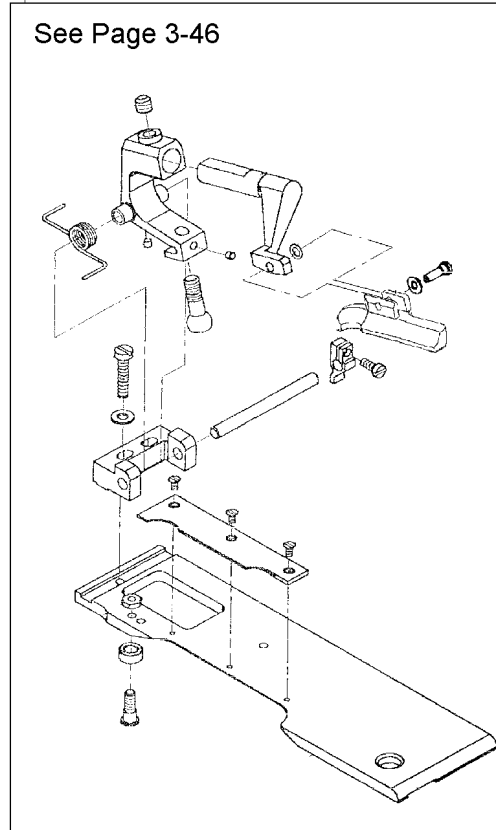
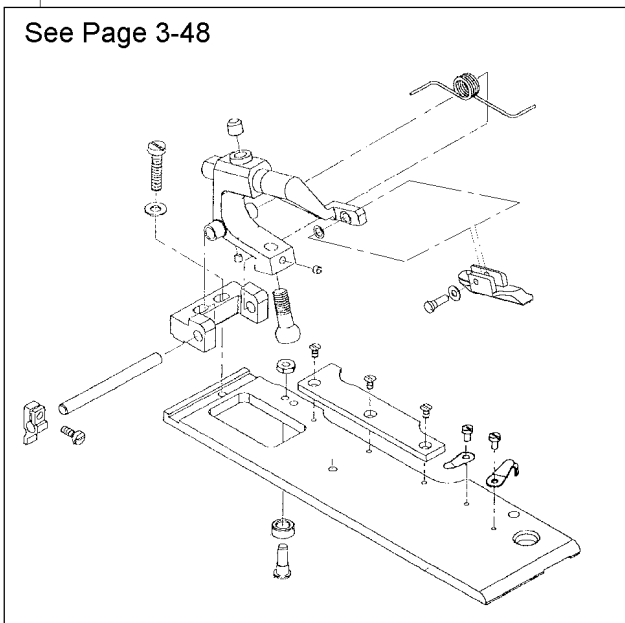
Phones: +420 582 309 160 (Service), +420 582 309 189 (343) (Spare Parts); Fax: +420 582 360 606

[www.promelectroavtomat.ru](http://www.promelectroavtomat.ru)

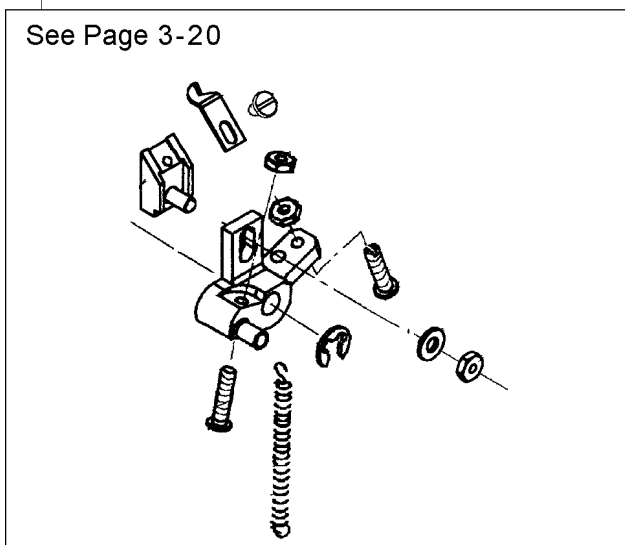
**ACCESSORIES - AF**



11



12



**ACCESSORIES - AF**

---

| DET | PART NUMBER   | DESCRIPTION              |
|-----|---------------|--------------------------|
| 01  | 19.0064.5.855 | Cutting Steel*29mm       |
| 02  | 19.0064.5.854 | Cutting Steel*26mm       |
| 03  | 19.0064.5.852 | Cutting Steel*22mm       |
| 04  | 19.0064.5.952 | Cutting Steel*19mm       |
| 05  | 19.0064.5.849 | Cutting Steel*16mm       |
| 06  | 19.0064.5.847 | Cutting Steel*12mm OPT.) |
| 07  | 18.0087.0.405 | Eye Knife 3/5 CA         |
| 08  | 18.0087.0.406 | Eye Knife 3/5 CB         |
| 09  | 17.0064.5.863 | No Eye Knife             |
| 10  | 18.0003.1.641 | R.H. Clamp Plate Asm.*AF |
| 11  | 18.0003.1.642 | L.H. Clamp Plate Asm.*AF |
| 12  | 17.0002.5.408 | AF-Knife Assembly        |

Revised 08/2003

e-mail: [service@amfreece.cz](mailto:service@amfreece.cz); [parts@amfreece.cz](mailto:parts@amfreece.cz); website: [www.amfreece.com](http://www.amfreece.com)

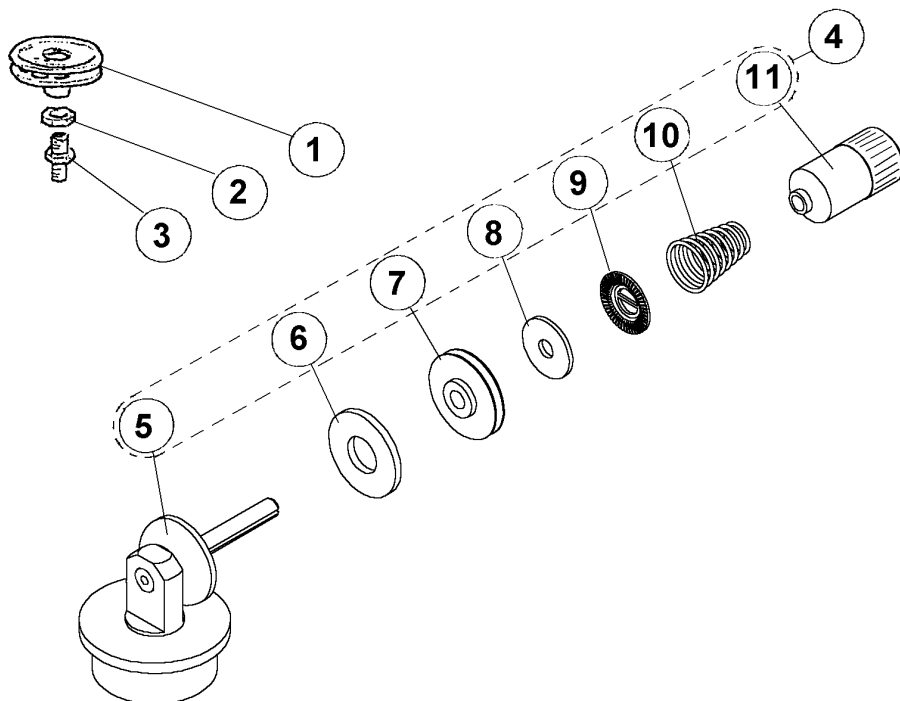
Phones: +420 582 309 160 (Service), +420 582 309 189 (343) (Spare Parts); Fax: +420 582 360 606

[www.promelectroavtomat.ru](http://www.promelectroavtomat.ru)

## THREAD RELEASE - JEANS

---

### SPECIAL PARTS



**THREAD RELEASE - JEANS**

---

**SPECIAL PARTS**

| DET | PART NUMBER   | DESCRIPTION              |
|-----|---------------|--------------------------|
| 01  | 17.0003.9.047 | Thread Draw-Off          |
| 02  | 17.0016.1.054 | Nut                      |
| 03  | 17.0014.6.002 | Stud                     |
| 04  | 18.0002.9.006 | Thread Controls Assembly |
| 05  | 18.0002.9.005 | Tension Arm Assembly     |
| 06  | 10.1077.0.000 | Felt Washer              |
| 07  | 10.1078.1.000 | Tension Roller Assembly  |
| 08  | 10.1004.0.000 | Felt Washer              |
| 09  | 10.1003.0.000 | Washer                   |
| 10  | 01.5603.0.000 | Spring                   |
| 11  | 18.0017.2.403 | Nut                      |

Revised 08/2003

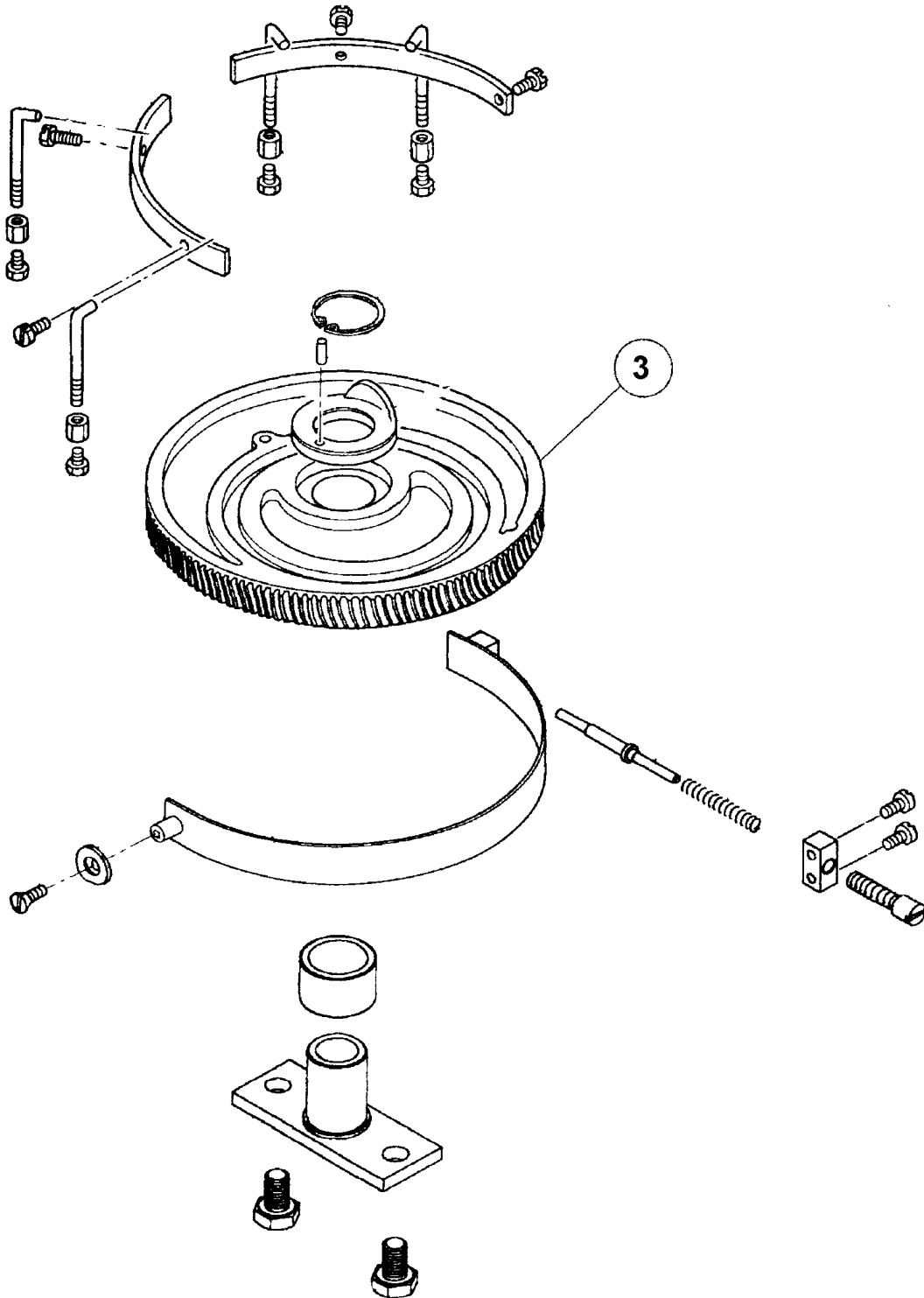
e-mail: [service@amfreece.cz](mailto:service@amfreece.cz); [parts@amfreece.cz](mailto:parts@amfreece.cz); website: [www.amfreece.com](http://www.amfreece.com)

Phones: +420 582 309 160 (Service), +420 582 309 189 (343) (Spare Parts); Fax: +420 582 360 606

[www.promelectroavtomat.ru](http://www.promelectroavtomat.ru)

## SHORT TRAVEL - MAIN CAM AND BRAKE BAND

See Page 3-28



## SHORT TRAVEL - MAIN CAM AND BRAKE BAND

---

| DET | PART NUMBER   | DESCRIPTION        |
|-----|---------------|--------------------|
| 03  | 18.0067.4.402 | Main Cam XLK-21 ST |

Revised 08/2003

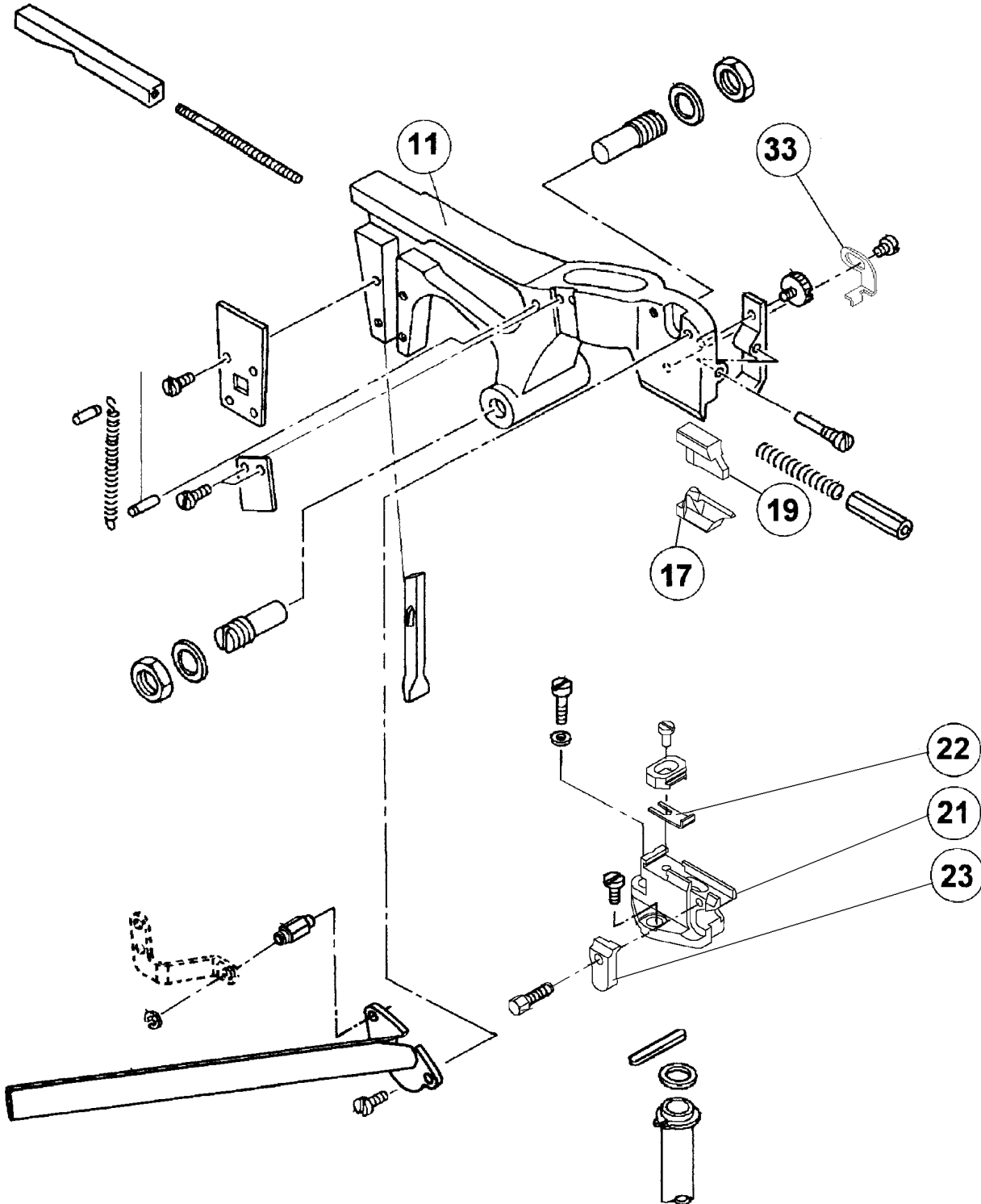
e-mail: [service@amfreece.cz](mailto:service@amfreece.cz); [parts@amfreece.cz](mailto:parts@amfreece.cz); website: [www.amfreece.com](http://www.amfreece.com)

Phones: +420 582 309 160 (Service), +420 582 309 189 (343) (Spare Parts); Fax: +420 582 360 606

[www.promelectroavtomat.ru](http://www.promelectroavtomat.ru)

## SHORT TRAVEL - CUTTING LEVER ASSEMBLY

See Page 3-32





## SHORT TRAVEL - CUTTING LEVER ASSEMBLY

---

| DET | PART NUMBER   | DESCRIPTION         |
|-----|---------------|---------------------|
| 11  | 18.0063.5.409 | Cutting Lever ST    |
| 17  | 18.0087.0.417 | Knife ST            |
| 19  | 19.0064.5.956 | Cutting Steel 19 ST |
| 21  | 18.0074.4.532 | Knife Holder ST     |
| 22  | 18.0082.6.417 | Stop XL-21 ST       |
| 23  | 18.0064.7.412 | Knife Clamp ST      |
| 33  | 18.0082.6.419 | Clamp ST            |

Revised 08/2003

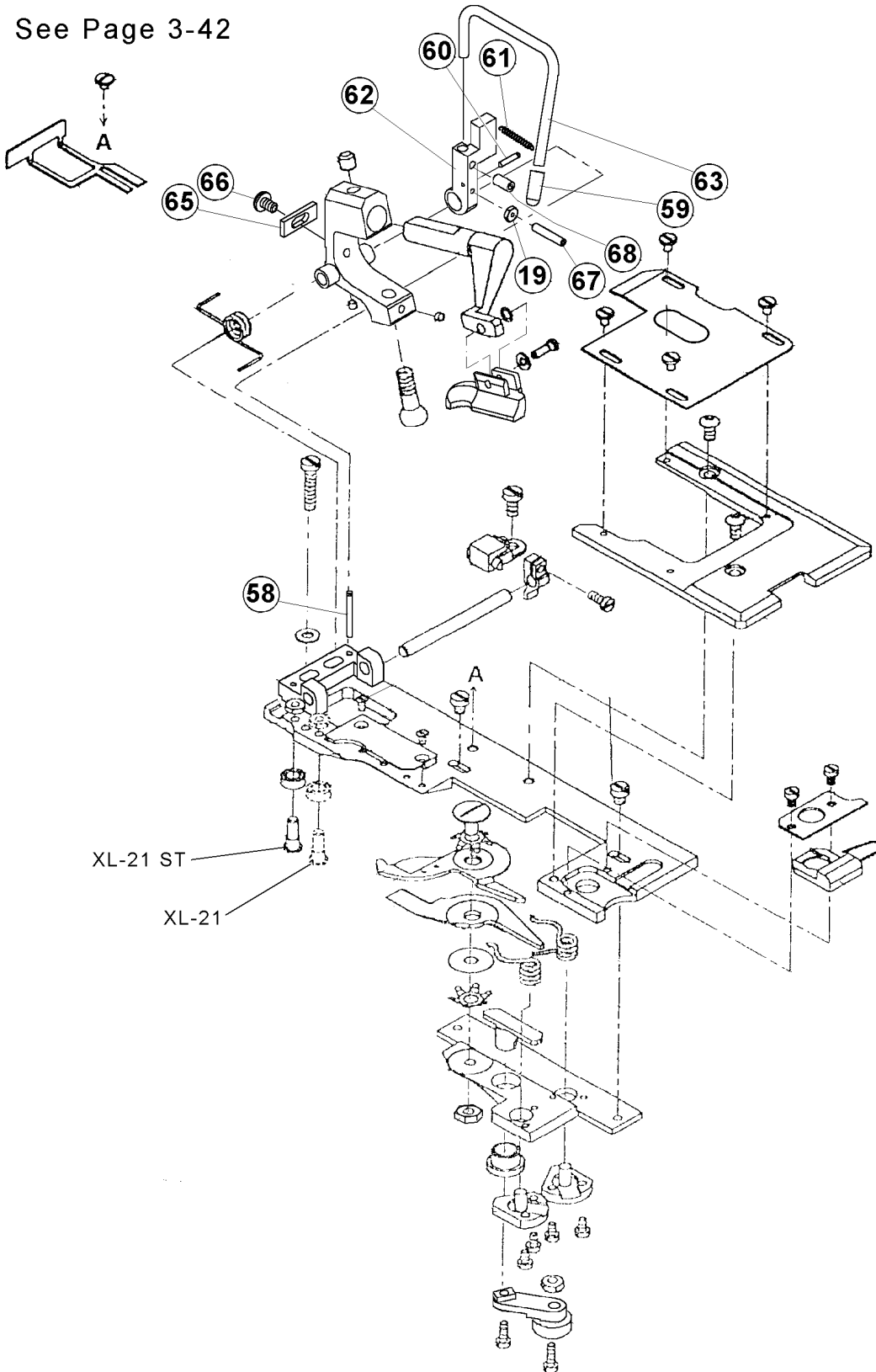
e-mail: [service@amfreece.cz](mailto:service@amfreece.cz); [parts@amfreece.cz](mailto:parts@amfreece.cz); website: [www.amfreece.com](http://www.amfreece.com)

Phones: +420 582 309 160 (Service), +420 582 309 189 (343) (Spare Parts); Fax: +420 582 360 606

[www.promelectroavtomat.ru](http://www.promelectroavtomat.ru)

# SHORT TRAVEL - CLAMPING LH - CT

See Page 3-42



## SHORT TRAVEL - CLAMPING LH - CT

---

| DET | PART NUMBER   | DESCRIPTION           |
|-----|---------------|-----------------------|
| 19  | 08.6700.3.000 | Nut                   |
| 58  | 12.1015.0.003 | Pin                   |
| 59  | 18.0095.1.404 | Cap                   |
| 60  | 12.1015.0.002 | Pin                   |
| 61  | 07.6440.0.033 | Spring                |
| 62  | 18.0064.8.426 | R.H. Hold Down Finger |
| 63  | 18.0027.1.607 | R.H. Hold Down Finger |
| 65  | 18.0081.0.508 | Plate                 |
| 66  | 08.6200.4.006 | Screw                 |
| 67  | 08.6400.3.016 | Screw                 |
| 68  | 08.6400.4.008 | Screw                 |

Revised 08/2003

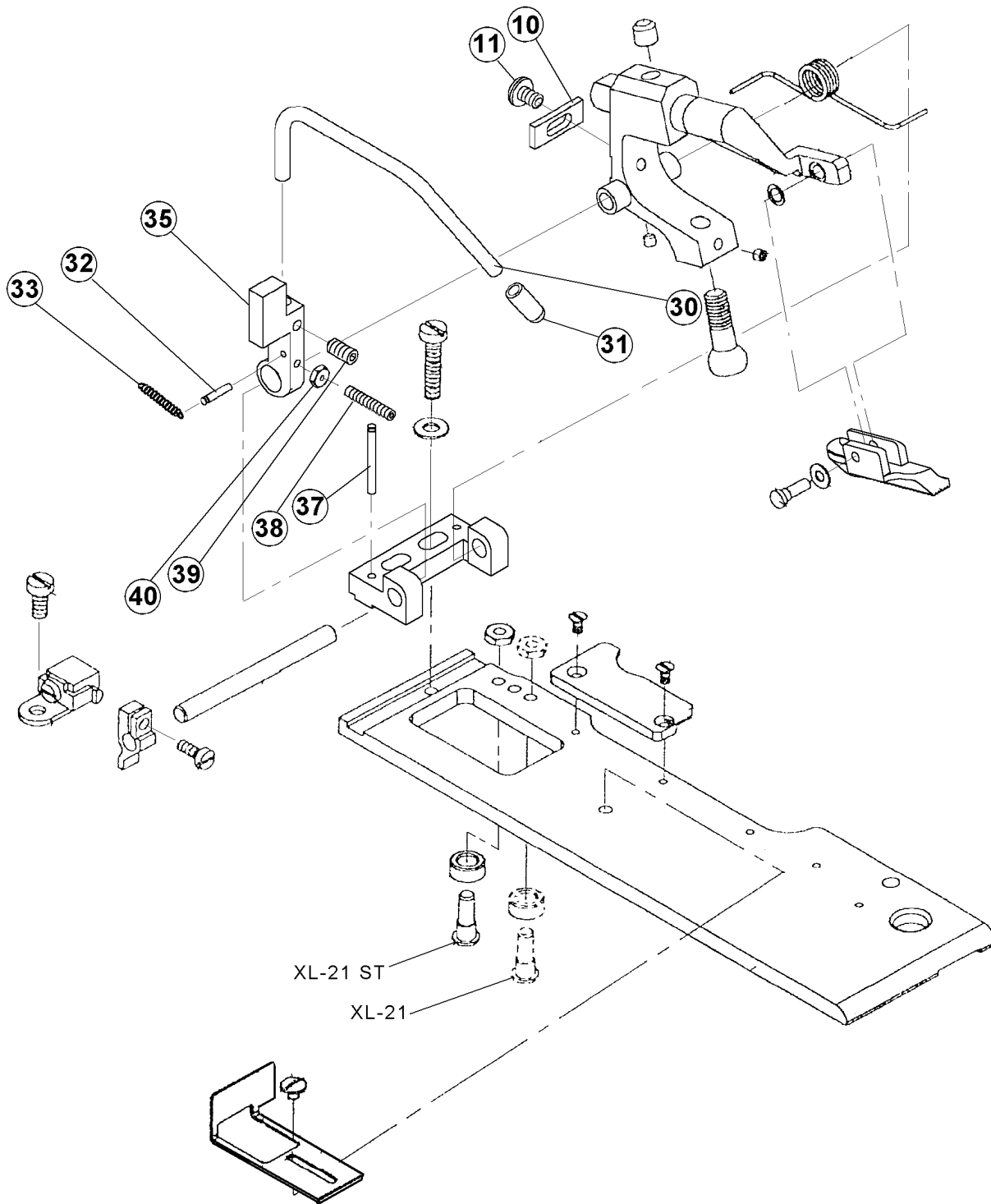
e-mail: [service@amfreece.cz](mailto:service@amfreece.cz); [parts@amfreece.cz](mailto:parts@amfreece.cz); website: [www.amfreece.com](http://www.amfreece.com)

Phones: +420 582 309 160 (Service), +420 582 309 189 (343) (Spare Parts); Fax: +420 582 360 606

[www.promelectroavtomat.ru](http://www.promelectroavtomat.ru)

# SHORT TRAVEL - CLAMPING RH - CT

See Page 3-44



## SHORT TRAVEL - CLAMPING RH - CT

---

| DET | PART NUMBER   | DESCRIPTION           |
|-----|---------------|-----------------------|
| 10  | 18.0081.0.508 | Plate                 |
| 11  | 08.6400.4.006 | Screw                 |
| 30  | 18.0027.1.606 | L.H. Hold Down Finger |
| 31  | 18.0095.1.404 | Cap                   |
| 32  | 12.1015.0.002 | Pin                   |
| 33  | 12.3011.0.004 | Spring                |
| 35  | 18.0064.8.427 | L.H. Hold Down        |
| 37  | 12.1015.0.003 | Pin                   |
| 38  | 08.6400.3.016 | Screw                 |
| 39  | 08.6400.4.008 | Screw                 |
| 40  | 08.6700.3.000 | Nut                   |

Revised 08/2003

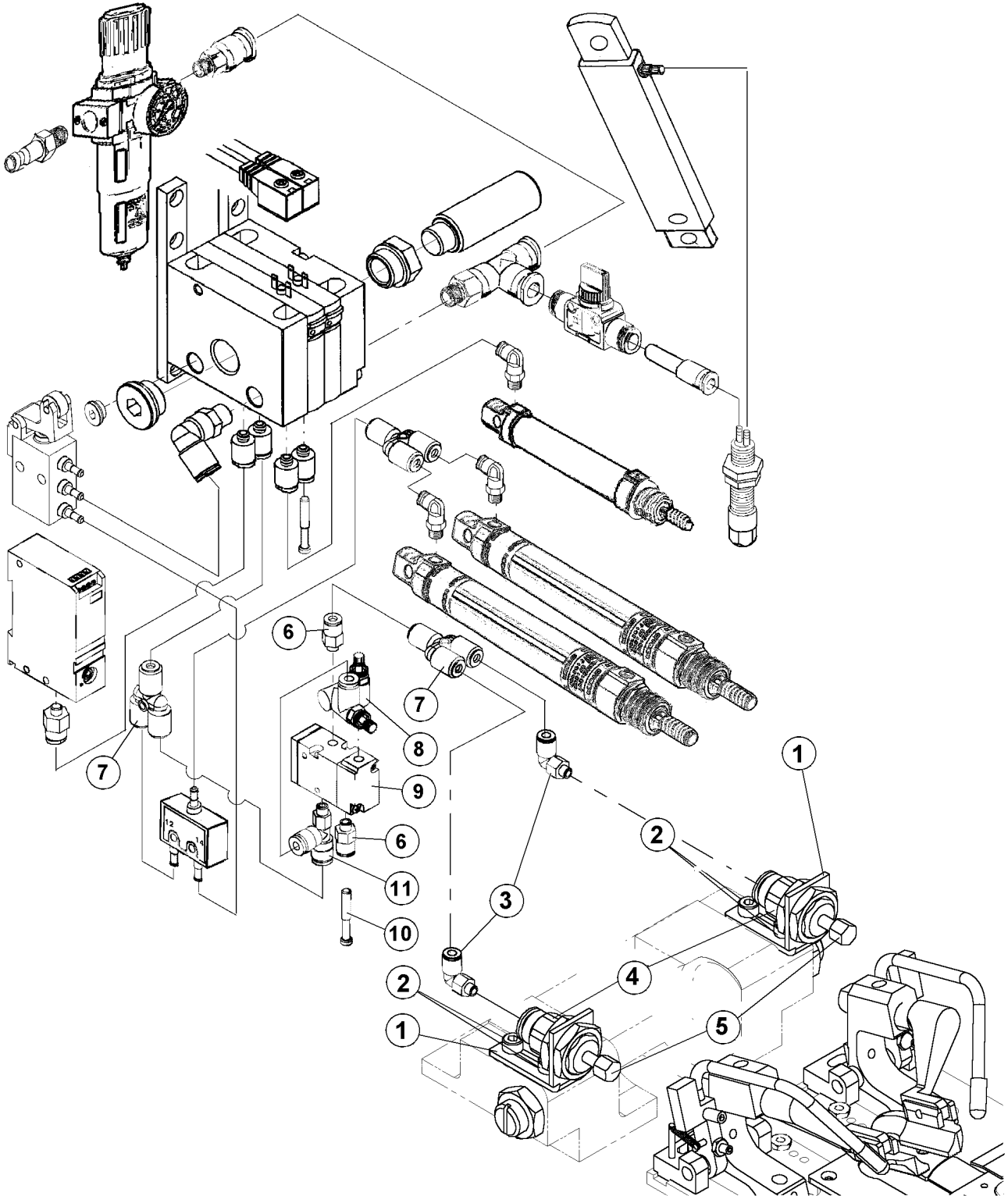
e-mail: [service@amfreece.cz](mailto:service@amfreece.cz); [parts@amfreece.cz](mailto:parts@amfreece.cz); website: [www.amfreece.com](http://www.amfreece.com)

Phones: +420 582 309 160 (Service), +420 582 309 189 (343) (Spare Parts); Fax: +420 582 360 606

[www.promelectroavtomat.ru](http://www.promelectroavtomat.ru)

# SHORT TRAVEL - PNEUMATIC - CT

See Page 3-50; 3-54; 3-58; 3-60



## SHORT TRAVEL - PNEUMATIC - CT

---

| DET | PART NUMBER   | DESCRIPTION      |
|-----|---------------|------------------|
| 01  | 18.0083.9.287 | Holder Pneumatic |
| 02  | 08.6000.4.008 | Screw            |
| 03  | 12.0008.3.411 | Connector        |
| 04  | 12.0008.3.440 | Cylinder         |
| 05  | 19.0016.3.406 | Nut              |
| 06  | 12.0008.3.409 | Connector        |
| 07  | 12.0008.3.031 | Connector        |
| 08  | 12.0008.3.441 | Speed Controller |
| 09  | 12.0008.3.470 | 3/2 Valve        |
| 10  | 12.0008.3.426 | Plug             |
| 11  | 12.0008.3.472 | Connector        |

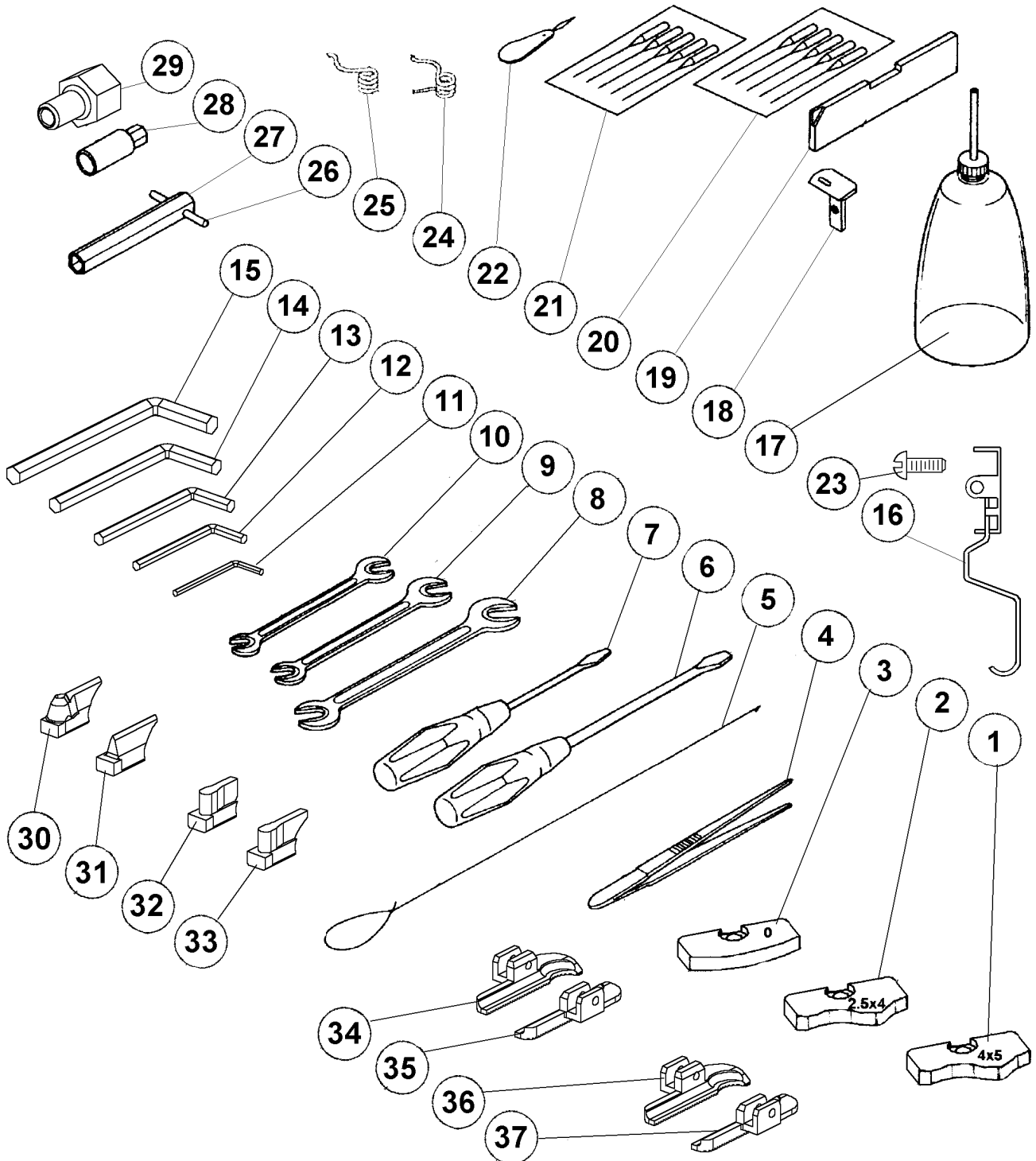
Revised 08/2003

e-mail: [service@amfreece.cz](mailto:service@amfreece.cz); [parts@amfreece.cz](mailto:parts@amfreece.cz); website: [www.amfreece.com](http://www.amfreece.com)

Phones: +420 582 309 160 (Service), +420 582 309 189 (343) (Spare Parts); Fax: +420 582 360 606

[www.promelectroavtomat.ru](http://www.promelectroavtomat.ru)

## SHORT TRAVEL - TOOLS / ACCESSORIES





## SHORT TRAVEL - TOOLS / ACCESSORIES

---

| DET | PART NUMBER   | DESCRIPTION                         |
|-----|---------------|-------------------------------------|
| 01  | 18.0067.2.404 | Segment 4x5                         |
| 02  | 18.0067.2.402 | Segment 2.5x4                       |
| 03  | 18.0067.2.405 | Segment 0                           |
| 04  | 12.0008.6.215 | Tweezers                            |
| 05  | 17.0027.1.223 | Thread Wire                         |
| 06  | 17.0003.8.035 | Screwdriver                         |
| 07  | 17.0003.8.034 | Screwdriver                         |
| 08  | 12.0008.6.107 | Fork Spanner (13x16)                |
| 09  | 12.0008.6.109 | Fork Spanner ( 8x10)                |
| 10  | 12.0008.6.111 | Fork Spanner (5.5x7)                |
| 11  | 12.0008.6.104 | Allen Key Wrench 6                  |
| 12  | 12.0008.6.103 | Allen Key Wrench 5                  |
| 13  | 12.0008.6.102 | Allen Key Wrench 4                  |
| 14  | 12.0008.6.101 | Allen Key Wrench 3                  |
| 15  | 12.0008.6.100 | Allen Key Wrench 2                  |
| 16  | 18.0002.9.004 | Needle Guard Assembly               |
| 17  | 05.1322.0.000 | Oil Can                             |
| 18  | 17.0064.7.275 | Throat Plate Gauge                  |
| 19  | 17.0082.6.242 | Gauge                               |
| 20  | 02.0503.3.113 | Needles                             |
| 21  | 02.0501.0.111 | Needles                             |
| 22  | 12.0008.6.200 | Needle Threader                     |
| 23  | 08.6032.4.008 | Screw                               |
| 24  | 17.0026.4.064 | R.H. Spring*CT                      |
| 25  | 17.0026.4.065 | L.H. Spring*CT                      |
| 26  | 17.0038.4.056 | Pin                                 |
| 27  | 17.0084.1.564 | Socket Wrench                       |
| 28  | 17.0016.3.105 | Pin Remover                         |
| 29  | 12.0008.3.081 | Pneumatic Adapter (1/8" / NPT 1/8") |
| 30  | 18.0087.0.418 | Knife                               |
| 31  | 18.0087.0.419 | Knife                               |
| 32  | 19.0064.5.955 | Cutting Steel 16ST                  |
| 33  | 19.0064.5.957 | Cutting Steel 22ST                  |
| 34  | 18.0066.7.408 | R.H. Clamp Foot (Heavy Fabric)      |
| 35  | 18.0066.7.409 | L.H. Clamp Foot (Heavy Fabric)      |
| 36  | 18.0066.7.412 | R.H. Clamp Foot (Thin Fabric)       |
| 37  | 18.0066.7.413 | L.H. Clamp Foot (Thin Fabric)       |

Revised 08/2003

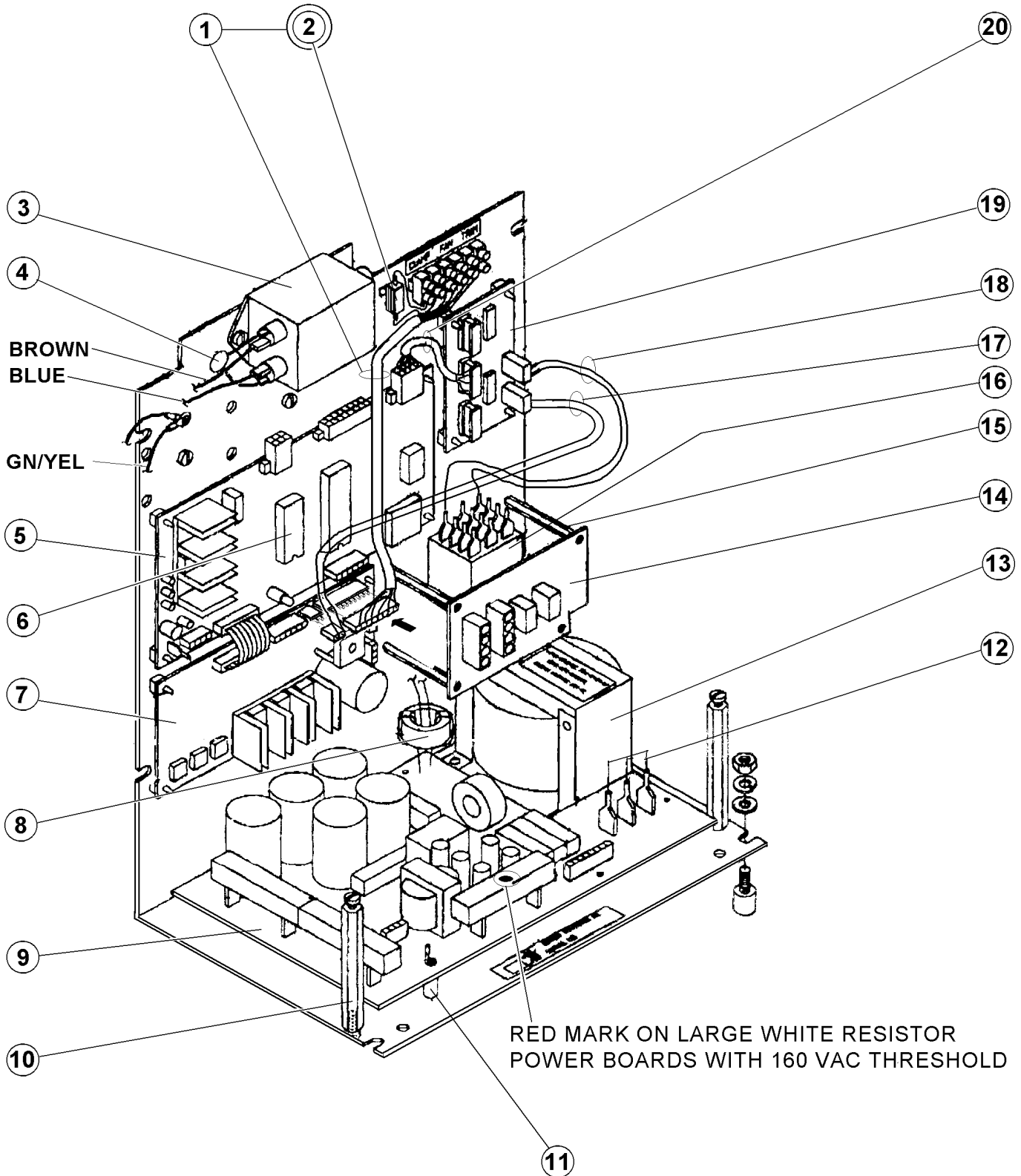
e-mail: [service@amfreece.cz](mailto:service@amfreece.cz); [parts@amfreece.cz](mailto:parts@amfreece.cz); website: [www.amfreece.com](http://www.amfreece.com)

Phones: +420 582 309 160 (Service), +420 582 309 189 (343) (Spare Parts); Fax: +420 582 360 606

[www.promelectroavtomat.ru](http://www.promelectroavtomat.ru)

# ELECTRICAL BOX

See page 3-58



## ELECTRICAL BOX

---

| DET | PART NUMBER   | DESCRIPTION                          |
|-----|---------------|--------------------------------------|
| 01  | 12.0008.4.474 | Cable Solenoid Output 2              |
| 02  | 12.0008.4.452 | Resistor                             |
| 03  | 07.6087.0.002 | Filter Power                         |
| 04  | 12.0008.4.438 | Mov Assembly                         |
| 05  | 06.5096.0.000 | Board PC Logic                       |
| 06  | 18.0007.9.900 | E-PROM XL 21                         |
| 07  | 06.5095.0.000 | Board Solenoid Driver                |
| 08  | 12.0008.4.444 | Toroid                               |
| 09  | 06.5094.1.000 | Board Pover                          |
| 10  | 12.0008.4.434 | Standoff                             |
| 11  | 12.0008.4.432 | Spacer                               |
| 12  | 12.0008.4.481 | Bridce Cable                         |
| 13  | 12.0008.4.445 | Trasformer                           |
| 14  | 12.0008.4.479 | Connector Assembly                   |
| 15  | 12.0008.4.443 | Standoff                             |
| 16  | 12.0008.4.480 | Relay                                |
| 17  | 18.0008.4.449 | Cable Relay Coil                     |
| 18  | 12.0008.4.450 | Cable FT to Motor Selection          |
| 19  | 06.5093.0.000 | Board MotorSelection                 |
| 20  | 12.0008.4.448 | Cable Logic to Motor Selection Short |

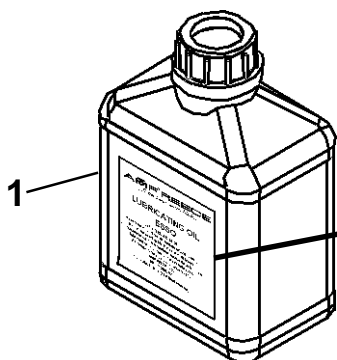
Revised 08/2003

e-mail: [service@amfreece.cz](mailto:service@amfreece.cz); [parts@amfreece.cz](mailto:parts@amfreece.cz); website: [www.amfreece.com](http://www.amfreece.com)

Phones: +420 582 309 160 (Service), +420 582 309 189 (343) (Spare Parts); Fax: +420 582 360 606

[www.promelectroavtomat.ru](http://www.promelectroavtomat.ru)

**SPECIAL ACCESSORIES**



**AMF REECE**  
*Better Ideas, Better Made*

**LUBRICATING OIL  
ESSO**

ESSO TERESTIC 68 Oil  
is recommended for all models of AMF REECE  
Industrial Sewing Machines and all types  
of equipment where a medium viscosity petroleum  
lubricant of superior quality is indicated.  
Air temperature below or above 40°C.

---

**AMF REECE, INC.**  
RICHMOND, VA  
Coukuts: 500ml (16.9 fluid ounces)

| DET | PART NUMBER   | DESCRIPTION  |
|-----|---------------|--------------|
| 1   | 05.0090.1.000 | Oil can - 68 |

**INDEX**

| PART NUMBER          | PAGE | DET | PART NUMBER          | PAGE | DET | PART NUMBER          | PAGE | DET |
|----------------------|------|-----|----------------------|------|-----|----------------------|------|-----|
| <b>01.5062.0.000</b> |      |     | <b>08.6000.4.014</b> |      |     | <b>08.6010.4.012</b> |      |     |
| 01.5062.0.000        | 3-43 | 43  | 08.6000.4.014        | 3-53 | 21  | 08.6010.4.012        | 3-5  | 37  |
| 01.5603.0.000        | 3-69 | 10  | 08.6000.4.016        | 3-3  | 10  | 08.6010.4.012        | 3-19 | 04  |
| 01.5606.0.000        | 3-27 | 30  | 08.6000.4.016        | 3-7  | 28  | 08.6010.4.012        | 3-23 | 30  |
|                      |      |     | 08.6000.4.016        | 3-35 | 34  | 08.6010.4.012        | 3-29 | 15  |
| <b>02.0501.0.111</b> |      |     | 08.6000.4.016        | 3-37 | 16  | 08.6010.4.012        | 3-53 | 39  |
| 02.0501.0.111        | 3-15 | 18  | 08.6000.4.020        | 3-25 | 16  | 08.6010.5.012        | 3-33 | 26  |
| 02.0501.0.111        | 3-63 | 21  | 08.6000.4.020        | 3-59 | 18  |                      |      |     |
| 02.0501.0.111        | 3-81 | 21  | 08.6000.4.025        | 3-27 | 37  | <b>08.6010.7.004</b> |      |     |
| 02.0503.3.113        | 3-63 | 20  | 08.6000.4.025        | 3-61 | 07  | 08.6010.7.004        | 3-37 | 06  |
| 02.0503.3.113        | 3-81 | 20  |                      |      |     | 08.6012.3.012        | 3-51 | 09  |
|                      |      |     | <b>08.6000.5.006</b> |      |     | 08.6032.2.020        | 3-59 | 97  |
| <b>04.9000.0.123</b> |      |     | 08.6000.5.006        | 3-61 | 15  | 08.6032.3.008        | 3-23 | 36  |
| 04.9000.0.123        | 3-61 | 01  | 08.6000.5.008        | 3-55 | 10  | 08.6032.4.008        | 3-59 | 60  |
| 05.1322.0.000        | 3-63 | 17  | 08.6000.5.012        | 3-7  | 29  | 08.6032.4.008        | 3-63 | 23  |
| 05.1322.0.000        | 3-81 | 17  | 08.6000.5.012        | 3-9  | 19  | 08.6032.4.008        | 3-81 | 23  |
| 05.1392.0.000        | 3-59 | 86  | 08.6000.5.012        | 3-29 | 12  | 08.6100.4.006        | 3-59 | 04  |
|                      |      |     | 08.6000.5.012        | 3-35 | 42  |                      |      |     |
| <b>06.5093.0.000</b> |      |     | 08.6000.5.012        | 3-39 | 38  | <b>08.6100.4.012</b> |      |     |
| 06.5093.0.000        | 3-83 | 19  | 08.6000.5.012        | 3-43 | 49  | 08.6100.4.012        | 3-61 | 11  |
| 06.5094.1.000        | 3-83 | 09  | 08.6000.5.012        | 3-51 | 15  | 08.6100.4.020        | 3-59 | 93  |
| 06.5095.0.000        | 3-83 | 07  | 08.6000.5.016        | 3-7  | 30  | 08.6100.6.035        | 3-9  | 42  |
| 06.5096.0.000        | 3-83 | 05  | 08.6000.5.020        | 3-55 | 08  |                      |      |     |
| 07.0087.0.000        | 3-5  | 44  | 08.6000.5.050        | 3-3  | 17  | <b>08.6132.3.012</b> |      |     |
| 07.0087.0.001        | 3-5  | 38  |                      |      |     | 08.6132.3.012        | 3-9  | 32  |
| 07.6087.0.002        | 3-83 | 03  | <b>08.6000.6.012</b> |      |     | 08.6200.3.006        | 3-51 | 35  |
| 07.6440.0.033        | 3-75 | 61  | 08.6000.6.012        | 3-5  | 28  | 08.6200.3.008        | 3-43 | 48  |
| 07.6481.0.014        | 3-5  | 33  | 08.6000.6.016        | 3-5  | 15  | 08.6200.4.006        | 3-5  | 48  |
| 07.9014.0.000        | 3-9  | 27  | 08.6000.6.016        | 3-5  | 50  | 08.6200.4.006        | 3-9  | 50  |
| 07.9014.0.000        | 3-35 | 47  | 08.6000.6.016        | 3-35 | 12  | 08.6200.4.006        | 3-35 | 41  |
|                      |      |     | 08.6000.6.016        | 3-35 | 45  | 08.6200.4.006        | 3-57 | 05  |
| <b>08.6000.3.006</b> |      |     | 08.6000.6.020        | 3-5  | 41  | 08.6200.4.006        | 3-75 | 66  |
| 08.6000.3.006        | 3-55 | 12  | 08.6000.6.020        | 3-59 | 06  | 08.6200.4.008        | 3-3  | 39  |
| 08.6000.4.005        | 3-11 | 18  | 08.6000.6.030        | 3-3  | 26  | 08.6200.4.012        | 3-3  | 18  |
| 08.6000.4.008        | 3-3  | 29  |                      |      |     | <b>08.6202.6.012</b> |      |     |
| 08.6000.4.008        | 3-59 | 11  | <b>08.6010.3.006</b> |      |     | 08.6202.6.012        | 3-57 | 02  |
| 08.6000.4.008        | 3-79 | 02  | 08.6010.3.006        | 3-5  | 25  | 08.6310.4.006        | 3-11 | 48  |
| 08.6000.4.010        | 3-3  | 23  | 08.6010.3.006        | 3-21 | 20  | 08.6310.5.008        | 3-39 | 46  |
| 08.6000.4.010        | 3-39 | 28  | 08.6010.3.006        | 3-23 | 10  | 08.6310.5.018        | 3-7  | 12  |
| 08.6000.4.010        | 3-55 | 15  | 08.6010.3.006        | 3-53 | 20  | 08.6312.5.010        | 3-3  | 45  |
| 08.6000.4.010        | 3-59 | 50  | 08.6010.3.012        | 3-27 | 31  | 08.6312.8.020        | 3-61 | 13  |
| 08.6000.4.012        | 3-3  | 09  | 08.6010.4.010        | 3-19 | 21  |                      |      |     |
| 08.6000.4.012        | 3-35 | 35  | 08.6010.4.010        | 3-35 | 17  | <b>08.6400.3.004</b> |      |     |
| 08.6000.4.012        | 3-39 | 27  | 08.6010.4.010        | 3-55 | 06  | 08.6400.3.004        | 3-53 | 29  |
| 08.6000.4.012        | 3-51 | 12  |                      |      |     | 08.6400.3.005        | 3-3  | 20  |
| 08.6000.4.014        | 3-35 | 36  |                      |      |     |                      |      |     |

Revised 08/2003

e-mail: service@amfreece.cz; parts@amfreece.cz; website: www.amfreece.com

Phones: +420 582 309 160 (Service), +420 582 309 189 (343) (Spare Parts); Fax: +420 582 360 606

## INDEX

| PART NUMBER          | PAGE | DET | PART NUMBER          | PAGE | DET | PART NUMBER          | PAGE | DET |
|----------------------|------|-----|----------------------|------|-----|----------------------|------|-----|
| <b>08.6400.3.005</b> |      |     | <b>08.6700.3.000</b> |      |     | <b>08.6850.4.000</b> |      |     |
| 08.6400.3.005        | 3-23 | 11  | 08.6700.3.000        | 3-21 | 48  | 08.6850.4.000        | 3-57 | 11  |
| 08.6400.3.005        | 3-37 | 14  | 08.6700.3.000        | 3-23 | 24  | 08.6850.4.000        | 3-59 | 94  |
| 08.6400.3.006        | 3-3  | 35  | 08.6700.3.000        | 3-61 | 04  | 08.6850.4.000        | 3-3  | 43  |
| 08.6400.3.008        | 3-37 | 09  | 08.6700.3.000        | 3-75 | 19  | 08.6850.4.000        | 3-5  | 36  |
| 08.6400.3.016        | 3-75 | 67  | 08.6700.3.000        | 3-77 | 40  | 08.6850.4.000        | 3-11 | 20  |
| 08.6400.3.016        | 3-77 | 38  | 08.6700.4.000        | 3-21 | 50  | 08.6850.4.000        | 3-17 | 22  |
| <b>08.6400.4.003</b> |      |     | 08.6700.4.000        | 3-27 | 34  | 08.6850.4.000        | 3-21 | 36  |
| 08.6400.4.003        | 3-43 | 27  | 08.6700.4.000        | 3-35 | 38  | 08.6850.4.000        | 3-35 | 18  |
| 08.6400.4.003        | 3-45 | 06  | 08.6700.4.000        | 3-45 | 34  | 08.6850.4.000        | 3-43 | 33  |
| 08.6400.4.003        | 3-47 | 06  | 08.6700.4.000        | 3-55 | 18  | 08.6850.4.000        | 3-45 | 18  |
| 08.6400.4.003        | 3-49 | 05  | 08.6700.4.000        | 3-59 | 95  | 08.6850.4.000        | 3-47 | 18  |
| 08.6400.4.005        | 3-11 | 17  | 08.6700.5.000        | 3-55 | 23  | 08.6850.4.000        | 3-49 | 20  |
| 08.6400.4.005        | 3-43 | 25  | 08.6700.6.000        | 3-3  | 34  | <b>08.6850.5.000</b> |      |     |
| 08.6400.4.005        | 3-45 | 19  | 08.6700.6.300        | 3-25 | 02  | 08.6850.5.000        | 3-55 | 09  |
| 08.6400.4.005        | 3-47 | 19  | 08.6700.8.000        | 3-3  | 05  | 08.6850.5.000        | 3-17 | 11  |
| 08.6400.4.005        | 3-49 | 17  | 08.6700.8.000        | 3-5  | 31  | 08.6850.5.000        | 3-19 | 07  |
| 08.6400.4.006        | 3-23 | 43  | <b>08.6702.2.000</b> |      |     | 08.6850.5.000        | 3-39 | 39  |
| 08.6400.4.006        | 3-77 | 11  | 08.6702.2.000        | 3-59 | 98  | 08.6850.5.000        | 3-39 | 47  |
| 08.6400.4.008        | 3-75 | 68  | 08.6702.3.000        | 3-9  | 30  | 08.6850.6.000        | 3-3  | 33  |
| 08.6400.4.008        | 3-77 | 39  | 08.6702.4.000        | 3-51 | 31  | 08.6850.6.000        | 3-59 | 26  |
| 08.6400.4.012        | 3-35 | 43  | 08.6702.8.000        | 3-61 | 08  | 08.6850.6.000        |      |     |
| 08.6400.4.014        | 3-55 | 03  | <b>08.6710.3.000</b> |      |     | 08.6850.8.000        | 3-5  | 34  |
| <b>08.6400.5.006</b> |      |     | 08.6710.3.000        | 3-21 | 49  | 08.6850.8.000        | 3-55 | 04  |
| 08.6400.5.006        | 3-27 | 05  | 08.6710.5.000        | 3-43 | 16  | <b>08.6852.3.000</b> |      |     |
| 08.6400.5.305        | 3-31 | 05  | 08.6710.6.000        | 3-51 | 33  | 08.6852.3.000        | 3-9  | 47  |
| 08.6400.6.006        | 3-43 | 23  | 08.6710.8.400        | 3-53 | 15  | 08.6852.4.000        | 3-5  | 49  |
| 08.6400.6.006        | 3-45 | 15  | 08.6722.8.000        | 3-59 | 68  | 08.6852.4.000        | 3-39 | 33  |
| 08.6400.6.006        | 3-47 | 15  | 08.6752.6.000        | 3-59 | 37  | 08.6852.4.000        | 3-57 | 06  |
| 08.6400.6.006        | 3-49 | 15  | <b>08.6800.4.000</b> |      |     | 08.6852.4.000        | 3-59 | 59  |
| 08.6400.6.006        |      |     | 08.6800.4.000        | 3-9  | 49  | 08.6852.5.000        | 3-3  | 46  |
| 08.6400.6.008        | 3-27 | 27  | 08.6800.4.000        | 3-35 | 37  | 08.6852.5.000        | 3-61 | 16  |
| 08.6460.7.004        | 3-23 | 25  | 08.6800.4.000        | 3-61 | 06  | 08.6852.6.000        | 3-57 | 01  |
| 08.6460.7.004        | 3-37 | 07  | 08.6800.5.000        | 3-7  | 16  | 08.6852.8.000        | 3-59 | 67  |
| <b>08.6532.8.070</b> |      |     | 08.6800.5.000        | 3-7  | 31  | 08.6852.8.000        | 3-61 | 09  |
| 08.6532.8.070        | 3-59 | 02  | 08.6800.6.000        | 3-5  | 29  | <b>10.1003.0.000</b> |      |     |
| 08.6532.8.080        | 3-59 | 49  | 08.6800.6.000        | 3-9  | 51  | 10.1003.0.000        | 3-69 | 09  |
| 08.6632.3.016        | 3-59 | 53  | 08.6800.6.000        | 3-59 | 25  | 10.1004.0.000        | 3-69 | 08  |
| 08.6652.3.016        | 3-59 | 62  | 08.6802.3.000        | 3-9  | 28  | 10.1021.2.000        | 3-15 | 14  |
| 08.6663.5.025        | 3-59 | 42  | 08.6832.6.000        | 3-5  | 51  | 10.1077.0.000        | 3-69 | 06  |
|                      |      |     | 08.6845.4.000        | 3-59 | 58  | 10.1078.1.000        | 3-69 | 07  |
|                      |      |     | 08.6850.3.000        | 3-11 | 36  | 10.1215.0.050        | 3-63 | 16  |
|                      |      |     | 08.6850.3.000        | 3-51 | 08  |                      |      |     |

Revised 08/2003

e-mail: [service@amfreece.cz](mailto:service@amfreece.cz); [parts@amfreece.cz](mailto:parts@amfreece.cz); website: [www.amfreece.com](http://www.amfreece.com)  
 Phones: +420 582 309 160 (Service), +420 582 309 189 (343) (Spare Parts); Fax: +420 582 360 606

**INDEX**

| PART NUMBER          | PAGE | DET | PART NUMBER          | PAGE | DET | PART NUMBER          | PAGE | DET |
|----------------------|------|-----|----------------------|------|-----|----------------------|------|-----|
| <b>12.0008.3.002</b> |      |     | <b>12.0008.4.185</b> |      |     | <b>12.0008.4.452</b> |      |     |
| 12.0008.3.002        | 3-59 | 23  | 12.0008.4.185        | 3-9  | 43  | 12.0008.4.452        | 3-83 | 02  |
| 12.0008.3.004        | 3-59 | 44  | 12.0008.4.199        | 3-59 | 27  | 12.0008.4.471        | 3-61 | 21  |
| 12.0008.3.017        | 3-59 | 09  | 12.0008.4.204        | 3-61 | 14  | 12.0008.4.472        | 3-59 | 91  |
| 12.0008.3.018        | 3-55 | 07  | 12.0008.4.240        | 3-61 | 19  | 12.0008.4.474        | 3-83 | 01  |
| 12.0008.3.018        | 3-59 | 16  | 12.0008.4.253        | 3-57 | 08  | 12.0008.4.475        | 3-9  | 46  |
| 12.0008.3.019        | 3-59 | 21  | 12.0008.4.254        | 3-9  | 44  | 12.0008.4.479        | 3-83 | 14  |
| 12.0008.3.023        | 3-57 | 03  | 12.0008.4.257        | 3-59 | 32  | 12.0008.4.480        | 3-83 | 16  |
| 12.0008.3.024        | 3-59 | 13  | 12.0008.4.258        | 3-59 | 31  |                      |      |     |
| 12.0008.3.026        | 3-59 | 22  | 12.0008.4.259        | 3-59 | 79  | <b>12.0008.4.481</b> |      |     |
| 12.0008.3.029        | 3-51 | 06  | 12.0008.4.260        | 3-59 | 78  | 12.0008.4.481        | 3-83 | 12  |
| 12.0008.3.029        | 3-59 | 46  | 12.0008.4.261        | 3-59 | 81  | 12.0008.4.687        | 3-59 | 33  |
| 12.0008.3.030        | 3-59 | 14  | 12.0008.4.262        | 3-59 | 80  | 12.0008.4.690        | 3-59 | 74  |
| 12.0008.3.031        | 3-51 | 07  | 12.0008.4.263        | 3-5  | 52  | 12.0008.4.690        | 3-59 | 90  |
| 12.0008.3.031        | 3-79 | 07  | 12.0008.4.263        | 3-57 | 04  | 12.0008.4.902        | 3-59 | 71  |
| 12.0008.3.040        | 3-51 | 17  | 12.0008.4.263        | 3-61 | 18  | 12.0008.4.903        | 3-59 | 77  |
| 12.0008.3.045        | 3-59 | 07  | 12.0008.4.264        | 3-35 | 48  | 12.0008.4.907        | 3-59 | 76  |
| 12.0008.3.046        | 3-59 | 17  | 12.0008.4.265        | 3-9  | 26  |                      |      |     |
| 12.0008.3.075        | 3-59 | 08  | 12.0008.4.266        | 3-9  | 31  | <b>12.0008.6.100</b> |      |     |
| 12.0008.3.081        | 3-63 | 29  | 12.0008.4.277        | 3-5  | 47  | 12.0008.6.100        | 3-63 | 15  |
| 12.0008.3.081        | 3-81 | 29  | 12.0008.4.277        | 3-57 | 07  | 12.0008.6.100        | 3-81 | 15  |
| 12.0008.3.082        | 3-59 | 45  | 12.0008.4.280        | 3-61 | 17  | 12.0008.6.101        | 3-63 | 14  |
| 12.0008.3.084        | 3-61 | 03  | 12.0008.4.281        | 3-59 | 73  | 12.0008.6.101        | 3-81 | 14  |
| 12.0008.3.098        | 3-59 | 24  | 12.0008.4.284        | 3-59 | 75  | 12.0008.6.102        | 3-63 | 13  |
| 12.0008.3.107        | 3-59 | 19  | 12.0008.4.286        | 3-59 | 72  | 12.0008.6.102        | 3-81 | 13  |
| 12.0008.3.108        | 3-59 | 12  | 12.0008.4.307        | 3-59 | 39  | 12.0008.6.103        | 3-63 | 12  |
| 12.0008.3.111        | 3-59 | 10  | 12.0008.4.366        | 3-59 | 82  | 12.0008.6.103        | 3-81 | 12  |
| 12.0008.3.115        | 3-55 | 01  | 12.0008.4.369        | 3-59 | 83  | 12.0008.6.104        | 3-63 | 11  |
| 12.0008.3.117        | 3-51 | 05  | 12.0008.4.370        | 3-59 | 84  | 12.0008.6.104        | 3-81 | 11  |
| 12.0008.3.126        | 3-59 | 20  | 12.0008.4.376        | 3-59 | 43  | 12.0008.6.107        | 3-63 | 08  |
| 12.0008.3.141        | 3-59 | 15  | 12.0008.4.378        | 3-59 | 48  | 12.0008.6.107        | 3-81 | 08  |
| 12.0008.3.180        | 3-51 | 16  | 12.0008.4.380        | 3-59 | 51  | 12.0008.6.109        | 3-63 | 09  |
| 12.0008.3.409        | 3-79 | 06  | 12.0008.4.403        | 3-59 | 01  | 12.0008.6.109        | 3-81 | 09  |
| 12.0008.3.411        | 3-79 | 03  | 12.0008.4.404        | 3-59 | 87  | 12.0008.6.111        | 3-63 | 10  |
| 12.0008.3.426        | 3-79 | 10  | 12.0008.4.405        | 3-59 | 88  | 12.0008.6.111        | 3-81 | 10  |
| 12.0008.3.440        | 3-79 | 04  | 12.0008.4.432        | 3-83 | 11  | 12.0008.6.200        | 3-63 | 22  |
| 12.0008.3.441        | 3-79 | 08  | 12.0008.4.434        | 3-83 | 10  | 12.0008.6.200        | 3-81 | 22  |
| 12.0008.3.470        | 3-79 | 09  | 12.0008.4.438        | 3-83 | 04  | 12.0008.6.201        | 3-63 | 04  |
| 12.0008.3.472        | 3-79 | 11  | 12.0008.4.443        | 3-83 | 15  | 12.0008.6.201        | 3-81 | 04  |
|                      |      |     | 12.0008.4.444        | 3-83 | 08  | 12.0008.6.400        | 3-9  | 37  |
| <b>12.0008.4.052</b> |      |     | <b>12.0008.4.445</b> |      |     | 12.0008.6.401        | 3-59 | 66  |
| 12.0008.4.052        | 3-3  | 47  | 12.0008.4.445        | 3-83 | 13  | 12.0008.6.402        | 3-59 | 64  |
| 12.0008.4.072        | 3-59 | 52  | 12.0008.4.448        | 3-83 | 20  | 12.0008.6.403        | 3-59 | 65  |
| 12.0008.4.100        | 3-57 | 12  | 12.0008.4.450        | 3-83 | 18  | 12.0008.6.503        | 3-61 | 02  |
| 12.0008.4.154        | 3-59 | 61  |                      |      |     |                      |      |     |

Revised 08/2003

e-mail: [service@amfreece.cz](mailto:service@amfreece.cz); [parts@amfreece.cz](mailto:parts@amfreece.cz); website: [www.amfreece.com](http://www.amfreece.com)

Phones: +420 582 309 160 (Service), +420 582 309 189 (343) (Spare Parts); Fax: +420 582 360 606

## INDEX

| PART NUMBER          | PAGE | DET | PART NUMBER          | PAGE | DET | PART NUMBER          | PAGE | DET |
|----------------------|------|-----|----------------------|------|-----|----------------------|------|-----|
| <b>12.0008.6.910</b> |      |     | <b>17.0002.1.274</b> |      |     | <b>17.0004.9.858</b> |      |     |
| 12.0008.6.910        | 3-59 | 38  | 17.0002.1.274        | 3-15 | 08  | 17.0004.9.858        | 3-11 | 33  |
| 12.0008.6.915        | 3-3  | 48  | 17.0002.4.140        | 3-7  | 05  | 17.0004.9.894        | 3-21 | 09  |
| <b>12.1015.0.002</b> |      |     | 17.0002.4.140        | 3-25 | 30  | 17.0004.9.895        | 3-21 | 06  |
| 12.1015.0.002        | 3-75 | 60  | 17.0002.5.228        | 3-53 | 08  | 17.0004.9.929        | 3-29 | 21  |
| 12.1015.0.002        | 3-77 | 32  | 17.0002.5.278        | 3-21 | 47  | 17.0005.2.201        | 3-23 | 23  |
| 12.1015.0.003        | 3-75 | 58  | 17.0002.5.278        | 3-65 | 13  | 17.0006.0.152        | 3-31 | 22  |
| 12.1015.0.003        | 3-77 | 37  | 17.0002.5.400        | 3-23 | 49  |                      |      |     |
| 12.1040.1.000        | 3-9  | 24  | 17.0002.5.401        | 3-23 | 41  | <b>17.0011.1.079</b> |      |     |
| <b>12.2010.0.003</b> |      |     | 17.0002.5.408        | 3-21 | 46  | 17.0011.1.079        | 3-5  | 10  |
| 12.2010.0.003        | 3-43 | 50  | 17.0002.5.408        | 3-67 | 12  | 17.0011.1.230        | 3-13 | 20  |
| 12.2010.0.004        | 3-7  | 25  | 17.0002.7.148        | 3-51 | 27  | 17.0011.1.234        | 3-9  | 01  |
| 12.2010.0.005        | 3-7  | 20  | 17.0002.7.149        | 3-51 | 34  | 17.0011.1.234        | 3-15 | 32  |
| 12.2010.1.001        | 3-15 | 03  | 17.0002.7.563        | 3-15 | 33  | 17.0011.1.240        | 3-25 | 11  |
| <b>12.2050.0.000</b> |      |     | <b>17.0003.5.431</b> |      |     | 17.0011.1.240        | 3-27 | 33  |
| 12.2050.0.000        | 3-13 | 15  | 17.0003.5.431        | 3-11 | 08  | 17.0011.1.242        | 3-25 | 20  |
| 12.2050.0.001        | 3-9  | 22  | 17.0003.5.475        | 3-13 | 13  | 17.0011.1.248        | 3-21 | 12  |
| 12.2050.1.001        | 3-9  | 21  | 17.0003.5.479        | 3-13 | 25  | 17.0011.1.250        | 3-39 | 12  |
| 12.2050.1.002        | 3-29 | 05  | 17.0003.5.711        | 3-21 | 22  | 08.6400.4.008        | 3-5  | 26  |
| 12.2050.1.004        | 3-27 | 13  | 17.0003.5.721        | 3-21 | 34  | <b>17.0011.2.107</b> |      |     |
| 12.2050.1.005        | 3-35 | 16  | 17.0003.5.726        | 3-33 | 40  | 17.0011.2.107        | 3-15 | 05  |
| 12.2050.1.009        | 3-35 | 49  | 17.0003.5.809        | 3-45 | 21  | 17.0011.3.113        | 3-33 | 36  |
| <b>12.2090.0.000</b> |      |     | 17.0003.5.810        | 3-43 | 31  | 17.0011.5.019        | 3-33 | 12  |
| 12.2090.0.000        | 3-27 | 32  | 17.0003.8.034        | 3-63 | 07  | 17.0011.7.009        | 3-31 | 01  |
| <b>12.3011.0.004</b> |      |     | 17.0003.8.034        | 3-81 | 07  |                      |      |     |
| 12.3011.0.004        | 3-77 | 33  | 17.0003.8.035        | 3-63 | 06  | <b>17.0012.0.328</b> |      |     |
| <b>12.5050.1.008</b> |      |     | 17.0003.8.035        | 3-81 | 06  | 17.0012.0.328        | 3-11 | 35  |
| 12.5050.1.008        | 3-9  | 52  | 17.0003.8.035        | 3-81 | 06  | 17.0012.0.113        | 3-17 | 06  |
| 12.5050.1.011        | 3-59 | 30  | 17.0003.9.047        | 3-69 | 01  | 17.0012.0.114        | 3-9  | 15  |
| 12.5050.1.012        | 3-59 | 29  | <b>17.0004.3.486</b> |      |     | 17.0012.0.120        | 3-15 | 24  |
| <b>12.8000.0.001</b> |      |     | 17.0004.3.486        | 3-35 | 06  | 17.0012.0.124        | 3-5  | 17  |
| 12.8000.0.001        | 3-59 | 40  | 17.0004.4.559        | 3-31 | 21  | 17.0012.0.204        | 3-27 | 06  |
| 12.8000.0.002        | 3-59 | 89  | 17.0004.4.793        | 3-19 | 13  | 17.0012.0.204        | 3-41 | 01  |
| <b>14.1197.1.000</b> |      |     | 17.0004.4.795        | 3-19 | 12  |                      |      |     |
| 14.1197.1.000        | 3-21 | 38  | 17.0004.4.797        | 3-13 | 24  | <b>17.0012.0.215</b> |      |     |
|                      |      |     | 17.0004.4.806        | 3-25 | 06  | 17.0012.0.215        | 3-11 | 31  |
|                      |      |     | 17.0004.4.829        | 3-21 | 24  | 17.0012.0.217        | 3-5  | 13  |
|                      |      |     | 17.0004.4.951        | 3-39 | 06  | 17.0012.0.217        | 3-11 | 19  |
|                      |      |     | <b>17.0004.6.939</b> |      |     | 17.0012.0.217        | 3-39 | 01  |
|                      |      |     | 17.0004.6.939        | 3-17 | 12  | 17.0012.0.218        | 3-39 | 11  |
|                      |      |     | 17.0004.7.157        | 3-35 | 46  | 17.0012.0.229        | 3-55 | 21  |
|                      |      |     | 17.0004.7.242        | 3-13 | 04  | 17.0012.0.234        | 3-43 | 30  |
|                      |      |     | 17.0004.9.849        | 3-53 | 01  | 17.0012.0.234        | 3-45 | 04  |
|                      |      |     | 17.0004.9.850        | 3-19 | 08  | 17.0012.0.234        | 3-51 | 20  |

Revised 08/2003

e-mail: [service@amfreece.cz](mailto:service@amfreece.cz); [parts@amfreece.cz](mailto:parts@amfreece.cz); website: [www.amfreece.com](http://www.amfreece.com)  
 Phones: +420 582 309 160 (Service), +420 582 309 189 (343) (Spare Parts); Fax: +420 582 360 606



**INDEX**

| PART NUMBER          | PAGE | DET | PART NUMBER          | PAGE | DET | PART NUMBER          | PAGE | DET |
|----------------------|------|-----|----------------------|------|-----|----------------------|------|-----|
| <b>17.0012.0.246</b> |      |     | <b>17.0012.3.054</b> |      |     | <b>17.0013.2.120</b> |      |     |
| 17.0012.0.246        | 3-33 | 20  | 17.0012.3.054        | 3-43 | 19  | 17.0013.2.120        | 3-9  | 14  |
| 17.0012.0.266        | 3-23 | 19  | 17.0012.4.103        | 3-23 | 42  | 17.0013.2.120        | 3-17 | 02  |
| 17.0012.0.266        | 3-59 | 35  | 17.0012.4.103        | 3-39 | 17  | 17.0013.2.192        | 3-27 | 01  |
| 17.0012.0.290        | 3-13 | 09  | 17.0012.4.103        | 3-43 | 11  | 17.0013.4.027        | 3-33 | 01  |
| 17.0012.0.290        | 3-19 | 28  | 17.0012.4.103        | 3-53 | 23  |                      |      |     |
| 17.0012.0.296        | 3-43 | 01  | 17.0012.4.105        | 3-3  | 53  | <b>17.0013.5.067</b> |      |     |
| 17.0012.0.301        | 3-17 | 13  | 17.0012.4.105        | 3-21 | 11  | 17.0013.5.067        | 3-43 | 18  |
| 17.0012.0.303        | 3-47 | 04  | 17.0012.4.105        | 3-43 | 53  | 17.0013.5.067        | 3-45 | 14  |
| 17.0012.0.328        | 3-33 | 05  | 17.0012.4.106        | 3-39 | 10  | 17.0013.5.067        | 3-47 | 14  |
| 17.0012.0.328        | 3-43 | 54  | 17.0012.4.106        | 3-43 | 57  | 17.0013.5.067        | 3-49 | 11  |
| 17.0012.0.328        | 3-45 | 23  | 17.0012.4.106        | 3-45 | 28  | 17.0013.5.067        | 3-53 | 45  |
| 17.0012.0.328        | 3-47 | 23  | 17.0012.4.106        | 3-49 | 27  | 17.0013.5.069        | 3-51 | 29  |
| 17.0012.0.328        | 3-49 | 09  |                      |      |     | 17.0013.6.032        | 3-35 | 21  |
| 17.0012.0.330        | 3-23 | 04  | <b>17.0012.6.066</b> |      |     | 17.0013.6.081        | 3-21 | 35  |
| 17.0012.0.331        | 3-33 | 03  | 17.0012.6.066        | 3-9  | 35  | 17.0013.6.081        | 3-23 | 18  |
| 17.0012.0.404        | 3-21 | 02  | 17.0012.6.078        | 3-53 | 51  |                      |      |     |
| 17.0012.0.415        | 3-51 | 04  | 17.0012.6.114        | 3-43 | 52  | <b>17.0014.1.015</b> |      |     |
| 17.0012.0.423        | 3-15 | 30  | 17.0012.6.114        | 3-45 | 02  | 17.0014.1.015        | 3-19 | 02  |
| 17.0012.0.423        | 3-35 | 33  | 17.0012.6.114        | 3-47 | 02  | 17.0014.1.015        | 3-29 | 17  |
| 17.0012.0.425        | 3-33 | 32  | 17.0012.6.114        | 3-49 | 02  | 17.0014.1.033        | 3-35 | 11  |
| 17.0012.0.457        | 3-25 | 28  | 17.0012.6.120        | 3-29 | 08  | 17.0014.1.066        | 3-33 | 29  |
| 17.0012.0.498        | 3-41 | 12  | 17.0012.6.149        | 3-27 | 23  | 17.0014.1.071        | 3-43 | 29  |
| 17.0012.0.543        | 3-13 | 18  |                      |      |     | 17.0014.1.071        | 3-45 | 17  |
| 17.0012.0.543        | 3-15 | 28  | <b>17.0013.1.040</b> |      |     | 17.0014.1.071        | 3-47 | 17  |
| 17.0012.0.543        | 3-23 | 01  | 17.0013.1.040        | 3-23 | 38  | 17.0014.1.071        | 3-49 | 19  |
| 17.0012.0.543        | 3-37 | 08  | 17.0013.1.047        | 3-43 | 38  | 17.0014.1.178        | 3-21 | 43  |
| 17.0012.0.568        | 3-41 | 06  | 17.0013.1.047        | 3-45 | 26  | 17.0014.1.180        | 3-31 | 20  |
| 17.0012.0.570        | 3-15 | 19  | 17.0013.1.047        | 3-47 | 26  | 17.0014.1.205        | 3-39 | 41  |
| 17.0012.0.571        | 3-33 | 18  | 17.0013.1.047        | 3-49 | 24  | 17.0014.1.243        | 3-5  | 04  |
| 17.0012.0.572        | 3-41 | 05  | 17.0013.1.175        | 3-27 | 24  | 17.0014.1.244        | 3-5  | 05  |
| 17.0012.0.605        | 3-21 | 26  | 17.0013.1.320        | 3-51 | 19  | 17.0014.1.285        | 3-29 | 20  |
| 17.0012.0.605        | 3-43 | 12  | 17.0013.1.343        | 3-7  | 01  |                      |      |     |
| 17.0012.0.627        | 3-39 | 20  | 17.0013.1.414        | 3-41 | 10  | <b>17.0014.2.020</b> |      |     |
| 17.0012.0.688        | 3-21 | 37  | 17.0013.1.415        | 3-5  | 39  | 17.0014.2.020        | 3-17 | 23  |
|                      |      |     | 17.0013.1.415        | 3-33 | 16  | 17.0014.4.036        | 3-25 | 01  |
| <b>17.0012.1.137</b> |      |     | 17.0013.1.416        | 3-51 | 21  | 17.0014.6.002        | 3-69 | 03  |
| 17.0012.1.137        | 3-23 | 48  | 17.0013.1.420        | 3-15 | 15  | 17.0015.5.042        | 3-21 | 51  |
| 17.0012.1.139        | 3-21 | 21  | 17.0013.1.445        | 3-51 | 32  |                      |      |     |
| 17.0012.1.140        | 3-21 | 19  | 17.0013.1.482        | 3-21 | 40  | <b>17.0016.1.041</b> |      |     |
| 17.0012.1.142        | 3-21 | 16  |                      |      |     | 17.0016.1.041        | 3-39 | 16  |
| 17.0012.1.169        | 3-11 | 03  | <b>17.0013.2.090</b> |      |     | 17.0016.1.045        | 3-29 | 18  |
| 17.0012.1.172        | 3-9  | 29  | 17.0013.2.090        | 3-27 | 14  | 17.0016.1.054        | 3-69 | 02  |
| 17.0012.1.401        | 3-11 | 10  | 17.0013.2.090        | 3-35 | 19  | 17.0016.1.093        | 3-35 | 23  |
| 17.0012.2.031        | 3-13 | 08  | 17.0013.2.119        | 3-9  | 04  | 17.0016.1.137        | 3-17 | 14  |
| 17.0012.2.400        | 3-23 | 46  | 17.0013.2.119        | 3-17 | 19  | 17.0016.1.140        | 3-11 | 40  |

Revised 08/2003

e-mail: service@amfreece.cz; parts@amfreece.cz; website: www.amfreece.com

Phones: +420 582 309 160 (Service), +420 582 309 189 (343) (Spare Parts); Fax: +420 582 360 606

## INDEX

| PART NUMBER          | PAGE | DET | PART NUMBER          | PAGE | DET | PART NUMBER          | PAGE | DET |
|----------------------|------|-----|----------------------|------|-----|----------------------|------|-----|
| <b>17.0016.1.140</b> |      |     | <b>17.0019.0.346</b> |      |     | <b>17.0026.0.215</b> |      |     |
| 17.0016.1.140        | 3-19 | 14  | 17.0019.0.346        | 3-25 | 27  | 17.0026.0.215        | 3-19 | 09  |
| 17.0016.1.140        | 3-53 | 02  | 17.0019.0.346        | 3-33 | 31  | 17.0026.0.216        | 3-3  | 16  |
| 17.0016.1.143        | 3-19 | 17  | 17.0019.0.346        | 3-53 | 03  | 17.0026.0.217        | 3-27 | 29  |
| 17.0016.1.146        | 3-25 | 19  | 17.0019.0.364        | 3-31 | 14  | 17.0026.0.217        | 3-41 | 08  |
| 17.0016.1.149        | 3-21 | 01  | 17.0019.0.371        | 3-13 | 02  | 17.0026.0.218        | 3-21 | 41  |
| 17.0016.1.165        | 3-17 | 05  | 17.0019.0.371        | 3-31 | 17  | 17.0026.0.481        | 3-7  | 08  |
| 17.0016.1.165        | 3-21 | 28  | 17.0019.0.398        | 3-19 | 10  | 17.0026.0.553        | 3-53 | 33  |
| 17.0016.1.165        | 3-39 | 13  | 17.0019.0.441        | 3-3  | 04  |                      |      |     |
| 17.0016.1.165        | 3-53 | 44  | 17.0019.0.469        | 3-27 | 11  | <b>17.0026.1.082</b> |      |     |
| 17.0016.1.179        | 3-17 | 15  | 17.0019.0.560        | 3-33 | 35  | 17.0026.1.082        | 3-33 | 15  |
| 17.0016.1.182        | 3-31 | 13  |                      |      |     | 17.0026.1.084        | 3-15 | 31  |
| 17.0016.1.185        | 3-21 | 30  | <b>17.0019.0.605</b> |      |     | 17.0026.1.084        | 3-53 | 36  |
| 17.0016.1.190        | 3-5  | 11  | 17.0019.0.605        | 3-9  | 09  |                      |      |     |
| 17.0016.1.190        | 3-11 | 27  | 17.0019.0.680        | 3-43 | 42  | <b>17.0026.2.072</b> |      |     |
| 17.0016.1.190        | 3-25 | 10  | 17.0019.1.062        | 3-15 | 22  | 17.0026.2.072        | 3-53 | 12  |
| 17.0016.1.190        | 3-55 | 05  | 17.0019.1.063        | 3-27 | 08  | 17.0026.2.077        | 3-15 | 16  |
| 17.0016.1.260        | 3-33 | 14  | 17.0019.1.088        | 3-21 | 14  | 17.0026.2.077        | 3-23 | 20  |
| 17.0016.1.288        | 3-33 | 34  |                      |      |     | 17.0026.2.078        | 3-23 | 14  |
| 17.0016.1.290        | 3-31 | 18  | <b>17.0019.2.021</b> |      |     | 17.0026.2.078        | 3-53 | 28  |
| 17.0016.1.302        | 3-53 | 09  | 17.0019.2.021        | 3-5  | 09  |                      |      |     |
| 17.0016.1.328        | 3-43 | 35  | 17.0019.2.061        | 3-11 | 38  | <b>17.0026.3.013</b> |      |     |
| 17.0016.1.328        | 3-45 | 03  | 17.0019.2.061        | 3-35 | 22  | 17.0026.3.013        | 3-25 | 14  |
| 17.0016.1.328        | 3-47 | 03  | 17.0019.2.066        | 3-43 | 15  | 17.0026.3.013        | 3-33 | 06  |
|                      |      |     | 17.0019.2.066        | 3-45 | 07  | 17.0026.3.014        | 3-15 | 27  |
| <b>17.0016.1.328</b> |      |     | 17.0019.2.066        | 3-47 | 07  | 17.0026.3.019        | 3-51 | 25  |
| 17.0016.1.328        | 3-49 | 22  | 17.0019.2.066        | 3-49 | 08  | 17.0026.3.123        | 3-11 | 22  |
| 17.0016.1.401        | 3-21 | 45  | 17.0019.2.077        | 3-13 | 16  | 17.0026.3.127        | 3-21 | 44  |
| 17.0016.3.051        | 3-25 | 26  |                      |      |     | 17.0026.3.168        | 3-39 | 19  |
| 17.0016.3.105        | 3-63 | 28  | <b>17.0019.5.019</b> |      |     | 17.0026.3.173        | 3-21 | 32  |
| 17.0016.3.105        | 3-81 | 28  | 17.0019.5.019        | 3-53 | 14  | 17.0026.3.189        | 3-55 | 22  |
| 17.0017.4.058        | 3-13 | 01  | 17.0019.5.040        | 3-43 | 20  | 17.0026.3.231        | 3-3  | 25  |
|                      |      |     | 17.0019.5.040        | 3-45 | 13  | 17.0026.3.244        | 3-39 | 08  |
| <b>17.0019.0.221</b> |      |     | 17.0019.5.040        | 3-47 | 13  | 17.0026.3.257        | 3-39 | 32  |
| 17.0019.0.221        | 3-17 | 26  | 17.0019.5.040        | 3-49 | 10  | 17.0026.3.258        | 3-35 | 15  |
| 17.0019.0.222        | 3-17 | 17  | 17.0019.6.033        | 3-27 | 22  |                      |      |     |
| 17.0019.0.222        | 3-35 | 29  |                      |      |     | <b>17.0026.4.035</b> |      |     |
| 17.0019.0.225        | 3-13 | 03  | <b>17.0021.0.018</b> |      |     | 17.0026.4.035        | 3-23 | 32  |
| 17.0019.0.226        | 3-17 | 04  | 17.0021.0.018        | 3-27 | 07  | 17.0026.4.064        | 3-43 | 05  |
| 17.0019.0.228        | 3-21 | 17  | 17.0021.1.045        | 3-9  | 18  | 17.0026.4.064        | 3-63 | 24  |
| 17.0019.0.228        | 3-41 | 07  | 17.0021.1.068        | 3-7  | 09  | 17.0026.4.064        | 3-81 | 24  |
| 17.0019.0.235        | 3-27 | 02  | 17.0021.1.069        | 3-17 | 07  | 17.0026.4.065        | 3-43 | 04  |
| 17.0019.0.251        | 3-53 | 54  | 17.0021.1.069        | 3-23 | 07  | 17.0026.4.065        | 3-63 | 25  |
| 17.0019.0.346        | 3-19 | 15  | 17.0021.1.070        | 3-9  | 06  | 17.0026.4.065        | 3-81 | 25  |
| 17.0019.0.346        | 3-25 | 09  | 17.0021.1.071        | 3-27 | 12  |                      |      |     |
|                      |      |     | 17.0021.1.073        | 3-33 | 27  |                      |      |     |

Revised 08/2003

e-mail: [service@amfreece.cz](mailto:service@amfreece.cz); [parts@amfreece.cz](mailto:parts@amfreece.cz); website: [www.amfreece.com](http://www.amfreece.com)  
 Phones: +420 582 309 160 (Service), +420 582 309 189 (343) (Spare Parts); Fax: +420 582 360 606

[www.promelectroavtomat.ru](http://www.promelectroavtomat.ru)

**INDEX**

| PART NUMBER          | PAGE | DET | PART NUMBER          | PAGE | DET | PART NUMBER          | PAGE | DET |
|----------------------|------|-----|----------------------|------|-----|----------------------|------|-----|
| <b>17.0026.4.257</b> |      |     | <b>17.0031.0.406</b> |      |     | <b>17.0033.0.057</b> |      |     |
| 17.0026.4.257        | 3-53 | 47  | 17.0031.0.406        | 3-23 | 33  | 17.0033.0.057        | 3-13 | 06  |
| 17.0026.4.292        | 3-21 | 13  | 17.0031.0.424        | 3-23 | 05  | 17.0033.1.153        | 3-31 | 16  |
| 17.0026.4.293        | 3-21 | 25  | 17.0031.0.425        | 3-11 | 04  | 17.0033.2.126        | 3-19 | 26  |
|                      |      |     | 17.0031.0.425        | 3-35 | 03  | 17.0033.2.154        | 3-33 | 38  |
| <b>17.0027.1.073</b> |      |     | 17.0031.0.425        | 3-53 | 30  |                      |      |     |
| 17.0027.1.073        | 3-15 | 29  | 17.0031.0.426        | 3-23 | 34  | <b>17.0033.3.129</b> |      |     |
| 17.0027.1.223        | 3-63 | 05  | 17.0031.0.427        | 3-33 | 07  | 17.0033.3.129        | 3-19 | 16  |
| 17.0027.1.223        | 3-81 | 05  | 17.0031.0.428        | 3-11 | 30  | 17.0033.3.130        | 3-53 | 06  |
| 17.0027.1.345        | 3-53 | 42  | 17.0031.0.429        | 3-35 | 08  | 17.0033.3.131        | 3-19 | 20  |
| 17.0027.1.349        | 3-39 | 35  | 17.0031.0.429        | 3-51 | 30  | 17.0033.3.132        | 3-31 | 06  |
| 17.0027.1.410        | 3-25 | 04  | 17.0031.0.431        | 3-29 | 07  | 17.0033.3.138        | 3-17 | 10  |
| 17.0027.1.411        | 3-11 | 46  | 17.0031.0.433        | 3-5  | 18  | 17.0033.3.158        | 3-21 | 23  |
| 17.0027.1.412        | 3-11 | 47  | 17.0031.0.434        | 3-27 | 09  | 17.0033.5.127        | 3-13 | 21  |
| 17.0027.1.413        | 3-11 | 45  | 17.0031.0.440        | 3-53 | 52  | 17.0033.5.137        | 3-31 | 19  |
| 17.0027.1.419        | 3-5  | 27  | 17.0031.0.480        | 3-7  | 07  | 17.0033.5.138        | 3-53 | 53  |
| 17.0027.1.459        | 3-43 | 07  |                      |      |     | 17.0033.8.089        | 3-21 | 05  |
| 17.0027.1.463        | 3-5  | 12  | <b>17.0031.2.013</b> |      |     | 17.0033.8.154        | 3-21 | 08  |
| 17.0027.1.463        | 3-3  | 12  | 17.0031.2.013        | 3-5  | 03  |                      |      |     |
| 17.0027.1.463        | 3-5  | 35  | 17.0031.2.024        | 3-35 | 04  | <b>17.0034.1.234</b> |      |     |
| 17.0027.1.799        | 3-11 | 21  | 17.0031.2.025        | 3-31 | 08  | 17.0034.1.234        | 3-43 | 32  |
|                      |      |     | 17.0031.3.027        | 3-15 | 12  | 17.0034.1.234        | 3-45 | 24  |
| <b>17.0027.2.052</b> |      |     | 17.0031.3.400        | 3-39 | 18  | 17.0034.1.234        | 3-47 | 24  |
| 17.0027.2.052        | 3-23 | 35  | 17.0031.4.031        | 3-51 | 23  | 17.0034.1.234        | 3-49 | 03  |
| 17.0027.4.045        | 3-19 | 23  | 17.0031.4.205        | 3-13 | 22  | 17.0034.2.328        | 3-31 | 07  |
| 17.0027.4.083        | 3-25 | 24  | 17.0031.7.039        | 3-5  | 14  | 17.0034.6.039        | 3-17 | 24  |
| 17.0027.4.083        | 3-39 | 07  | 17.0031.8.198        | 3-53 | 22  | 17.0034.9.134        | 3-35 | 02  |
| 17.0027.4.084        | 3-25 | 17  | 17.0032.0.194        | 3-11 | 09  | 17.0034.9.155        | 3-25 | 12  |
| 17.0027.4.085        | 3-7  | 23  |                      |      |     | 17.0034.9.201        | 3-9  | 08  |
| 17.0027.4.085        | 3-15 | 02  | <b>17.0032.1.074</b> |      |     |                      |      |     |
| 17.0027.4.090        | 3-21 | 31  | 17.0032.1.074        | 3-35 | 27  | <b>17.0038.2.012</b> |      |     |
| 17.0027.4.090        | 3-33 | 39  | 17.0032.2.030        | 3-3  | 24  | 17.0038.2.012        | 3-29 | 13  |
| 17.0027.4.100        | 3-23 | 21  | 17.0032.2.030        | 3-51 | 24  | 17.0038.4.056        | 3-63 | 26  |
| 17.0027.4.127        | 3-33 | 25  | 17.0032.2.268        | 3-19 | 01  | 17.0038.4.056        | 3-81 | 26  |
| 17.0027.4.128        | 3-29 | 19  | 17.0032.2.272        | 3-17 | 25  |                      |      |     |
| 17.0028.1.125        | 3-33 | 08  | 17.0032.2.282        | 3-17 | 16  | <b>17.0041.0.232</b> |      |     |
|                      |      |     | 17.0032.2.305        | 3-39 | 05  | 17.0041.0.232        | 3-9  | 16  |
| <b>17.0031.0.196</b> |      |     | 17.0032.3.011        | 3-39 | 45  | 17.0041.0.548        | 3-13 | 23  |
| 17.0031.0.196        | 3-15 | 26  | 17.0032.3.196        | 3-31 | 11  | 17.0041.0.550        | 3-19 | 06  |
| 17.0031.0.199        | 3-11 | 23  |                      |      |     | 17.0041.0.551        | 3-13 | 07  |
| 17.0031.0.199        | 3-55 | 24  | <b>17.0032.5.031</b> |      |     |                      |      |     |
| 17.0031.0.328        | 3-53 | 27  | 17.0032.5.031        | 3-25 | 07  | <b>17.0041.1.094</b> |      |     |
| 17.0031.0.351        | 3-11 | 43  | 17.0032.6.230        | 3-53 | 25  | 17.0041.1.094        | 3-21 | 15  |
| 17.0031.0.351        | 3-35 | 40  | 17.0032.8.134        | 3-53 | 48  | 17.0041.2.160        | 3-13 | 11  |
| 17.0031.0.352        | 3-53 | 40  |                      |      |     | 17.0041.5.033        | 3-11 | 05  |
| 17.0031.0.405        | 3-33 | 09  |                      |      |     | 17.0041.8.003        | 3-53 | 07  |

Revised 08/2003

e-mail: [service@amfreece.cz](mailto:service@amfreece.cz); [parts@amfreece.cz](mailto:parts@amfreece.cz); website: [www.amfreece.com](http://www.amfreece.com)

Phones: +420 582 309 160 (Service), +420 582 309 189 (343) (Spare Parts); Fax: +420 582 360 606

## INDEX

| PART NUMBER          | PAGE | DET | PART NUMBER          | PAGE | DET | PART NUMBER          | PAGE | DET |
|----------------------|------|-----|----------------------|------|-----|----------------------|------|-----|
| <b>17.0041.8.005</b> |      |     | <b>17.0044.1.211</b> |      |     | <b>17.0063.5.245</b> |      |     |
| 17.0041.8.005        | 3-43 | 37  | 17.0044.1.211        | 3-3  | 44  | 17.0063.5.245        | 3-47 | 22  |
| 17.0041.8.005        | 3-45 | 25  | 17.0044.1.259        | 3-43 | 02  | 17.0063.5.245        | 3-49 | 07  |
| 17.0041.8.005        | 3-47 | 25  | 17.0044.1.286        | 3-53 | 04  | 17.0063.6.044        | 3-31 | 09  |
| 17.0041.8.005        | 3-49 | 23  | 17.0044.1.443        | 3-5  | 08  | 17.0063.6.220        | 3-33 | 02  |
| 17.0041.8.008        | 3-39 | 43  | 17.0044.1.582        | 3-29 | 09  | 17.0063.6.256        | 3-19 | 18  |
| 17.0041.8.067        | 3-39 | 44  | 17.0044.2.229        | 3-15 | 01  | 17.0063.6.257        | 3-13 | 10  |
| 17.0041.8.096        | 3-19 | 19  |                      |      |     | 17.0063.6.260        | 3-25 | 05  |
| 17.0041.8.181        | 3-31 | 10  | <b>17.0045.1.099</b> |      |     | 17.0063.6.265        | 3-31 | 12  |
|                      |      |     | 17.0045.1.099        | 3-11 | 24  | 17.0063.6.304        | 3-11 | 02  |
| <b>17.0042.1.279</b> |      |     | 17.0045.1.106        | 3-35 | 26  | 17.0063.6.308        | 3-31 | 15  |
| 17.0042.1.279        | 3-3  | 03  | 17.0045.3.004        | 3-15 | 25  |                      |      |     |
| 17.0042.1.282        | 3-11 | 11  | 17.0045.3.006        | 3-15 | 10  | <b>17.0064.5.170</b> |      |     |
| 17.0042.1.283        | 3-15 | 06  |                      |      |     | 17.0064.5.170        | 3-33 | 30  |
| 17.0042.1.332        | 3-3  | 49  | <b>17.0055.1.143</b> |      |     | 17.0064.5.837        | 3-23 | 39  |
| 17.0042.1.332        | 3-53 | 05  | 17.0055.1.143        | 3-23 | 03  | 17.0064.5.863        | 3-67 | 09  |
| 17.0042.2.149        | 3-15 | 04  | 17.0055.1.152        | 3-27 | 15  | 17.0064.6.057        | 3-39 | 40  |
| 17.0042.2.216        | 3-15 | 23  | 17.0055.1.153        | 3-7  | 11  | 17.0064.6.122        | 3-25 | 21  |
|                      |      |     | 17.0055.2.172        | 3-9  | 17  | 17.0064.6.130        | 3-41 | 03  |
| <b>17.0042.4.120</b> |      |     | 17.0055.3.025        | 3-31 | 02  | 17.0064.6.298        | 3-33 | 13  |
| 17.0042.4.120        | 3-7  | 10  | 17.0055.5.042        | 3-15 | 11  | 17.0064.6.325        | 3-65 | 06  |
| 17.0042.5.041        | 3-35 | 10  |                      |      |     | 17.0064.6.336        | 3-21 | 29  |
| 17.0042.5.247        | 3-17 | 18  | <b>17.0057.0.056</b> |      |     | 17.0064.6.416        | 3-33 | 23  |
| 17.0042.5.249        | 3-17 | 27  | 17.0057.0.056        | 3-27 | 16  |                      |      |     |
| 17.0042.5.256        | 3-7  | 06  | 17.0057.0.057        | 3-27 | 17  | <b>17.0064.7.000</b> |      |     |
| 17.0042.5.280        | 3-9  | 20  | 17.0057.1.045        | 3-35 | 09  | 17.0064.7.000        | 3-55 | 19  |
| 17.0042.5.287        | 3-17 | 03  |                      |      |     | 17.0064.7.162        | 3-23 | 31  |
| 17.0042.5.288        | 3-17 | 09  | <b>17.0061.2.336</b> |      |     | 17.0064.7.164        | 3-55 | 20  |
| 17.0042.5.323        | 3-11 | 06  | 17.0061.2.336        | 3-19 | 25  | 17.0064.7.186        | 3-43 | 34  |
| 17.0042.6.053        | 3-19 | 24  | 17.0061.3.351        | 3-53 | 43  | 17.0064.7.186        | 3-45 | 20  |
| 17.0042.6.078        | 3-53 | 10  | 17.0061.6.028        | 3-53 | 46  | 17.0064.7.186        | 3-47 | 20  |
|                      |      |     | 17.0061.6.030        | 3-21 | 39  | 17.0064.7.186        | 3-49 | 21  |
| <b>17.0043.1.011</b> |      |     | 17.0062.5.149        | 3-33 | 37  | 17.0064.7.226        | 3-35 | 05  |
| 17.0043.1.011        | 3-9  | 07  | 17.0062.5.164        | 3-43 | 06  | 17.0064.7.275        | 3-63 | 18  |
| 17.0043.6.018        | 3-31 | 04  |                      |      |     | 17.0064.7.275        | 3-81 | 18  |
| 17.0043.6.277        | 3-15 | 07  | <b>17.0063.0.253</b> |      |     | 17.0064.8.401        | 3-55 | 13  |
| 17.0043.6.280        | 3-9  | 11  | 17.0063.0.253        | 3-13 | 14  |                      |      |     |
| 17.0043.6.290        | 3-23 | 02  | 17.0063.1.073        | 3-21 | 18  | <b>17.0066.7.157</b> |      |     |
| 17.0043.6.351        | 3-13 | 19  | 17.0063.2.154        | 3-25 | 18  | 17.0066.7.157        | 3-47 | 12  |
| 17.0043.6.351        | 3-15 | 09  | 17.0063.3.195        | 3-25 | 13  | 17.0066.7.158        | 3-49 | 14  |
|                      |      |     | 17.0063.4.166        | 3-13 | 12  | 17.0066.8.122        | 3-43 | 14  |
|                      |      |     | 17.0063.4.169        | 3-11 | 12  | 17.0066.8.122        | 3-49 | 06  |
|                      |      |     | 17.0063.4.172        | 3-11 | 07  | 17.0066.8.123        | 3-45 | 08  |
|                      |      |     | 17.0063.5.234        | 3-33 | 11  | 17.0066.8.123        | 3-47 | 08  |
|                      |      |     | 17.0063.5.245        | 3-43 | 17  |                      |      |     |
|                      |      |     | 17.0063.5.245        | 3-45 | 22  |                      |      |     |

Revised 08/2003

e-mail: [service@amfreece.cz](mailto:service@amfreece.cz); [parts@amfreece.cz](mailto:parts@amfreece.cz); website: [www.amfreece.com](http://www.amfreece.com)  
 Phones: +420 582 309 160 (Service), +420 582 309 189 (343) (Spare Parts); Fax: +420 582 360 606

[www.promelectroavtomat.ru](http://www.promelectroavtomat.ru)

**INDEX**

| PART NUMBER          | PAGE | DET | PART NUMBER          | PAGE | DET | PART NUMBER          | PAGE | DET |
|----------------------|------|-----|----------------------|------|-----|----------------------|------|-----|
| <b>17.0067.2.098</b> |      |     | <b>17.0082.2.481</b> |      |     | <b>17.0094.0.200</b> |      |     |
| 17.0067.2.098        | 3-9  | 12  | 17.0082.2.481        | 3-53 | 35  | 17.0094.0.200        | 3-61 | 10  |
| 17.0067.2.164        | 3-29 | 16  | 17.0082.4.545        | 3-33 | 22  | 17.0094.2.092        | 3-11 | 13  |
| 17.0067.2.411        | 3-9  | 10  | 17.0082.4.547        | 3-49 | 26  | 17.0094.3.085        | 3-33 | 24  |
| 17.0067.4.127        | 3-29 | 03  | 17.0082.4.548        | 3-45 | 29  | 17.0094.3.142        | 3-27 | 36  |
| 17.0067.5.152        | 3-17 | 08  | 17.0082.4.996        | 3-21 | 42  | 17.0094.5.052        | 3-5  | 06  |
|                      |      |     | 17.0082.5.108        | 3-33 | 10  | 17.0094.5.307        | 3-25 | 03  |
| <b>17.0069.4.048</b> |      |     | 17.0082.5.235        | 3-21 | 03  | 17.0094.5.308        | 3-17 | 21  |
| 17.0069.4.048        | 3-21 | 10  | 17.0082.5.436        | 3-41 | 11  | 17.0094.5.310        | 3-35 | 20  |
| 17.0069.4.049        | 3-21 | 07  | 17.0082.5.884        | 3-47 | 28  | 17.0094.5.311        | 3-35 | 28  |
|                      |      |     | 17.0082.5.893        | 3-41 | 02  | 17.0094.5.314        | 3-9  | 36  |
| <b>17.0071.0.104</b> |      |     | 17.0082.5.898        | 3-21 | 33  | 17.0094.6.009        | 3-59 | 03  |
| 17.0071.0.104        | 3-9  | 34  | 17.0082.5.997        | 3-33 | 33  | 17.0095.1.272        | 3-59 | 63  |
| 17.0074.4.058        | 3-51 | 03  |                      |      |     |                      |      |     |
| 17.0074.4.405        | 3-19 | 05  | <b>17.0082.6.000</b> |      |     | <b>18.0000.4.041</b> |      |     |
| 17.0074.4.407        | 3-5  | 21  | 17.0082.6.000        | 3-5  | 22  | 18.0000.4.041        | 3-5  | 53  |
| 17.0074.4.411        | 3-5  | 24  | 17.0082.6.191        | 3-39 | 02  | 18.0002.6.089        | 3-11 | 39  |
| 17.0074.4.421        | 3-35 | 07  | 17.0082.6.226        | 3-43 | 56  | 18.0002.7.600        | 3-29 | 01  |
| 17.0074.4.453        | 3-25 | 15  | 17.0082.6.227        | 3-39 | 21  | 18.0002.9.000        | 3-39 | 23  |
| 17.0074.4.504        | 3-33 | 21  | 17.0082.6.242        | 3-63 | 19  | 18.0002.9.002        | 3-9  | 33  |
| 17.0074.6.170        | 3-43 | 10  | 17.0082.6.242        | 3-81 | 19  | 18.0002.9.004        | 3-81 | 16  |
|                      |      |     | 17.0082.6.402        | 3-23 | 22  | 18.0002.9.005        | 3-69 | 05  |
| <b>17.0081.0.485</b> |      |     | 17.0082.6.403        | 3-7  | 14  | 18.0002.9.006        | 3-69 | 04  |
| 17.0081.0.485        | 3-53 | 37  | 17.0082.8.017        | 3-15 | 17  |                      |      |     |
| 17.0081.1.645        | 3-47 | 01  | 17.0082.8.060        | 3-53 | 11  | <b>18.0003.1.641</b> |      |     |
| 17.0081.1.646        | 3-49 | 01  | 17.0082.8.071        | 3-53 | 18  | 18.0003.1.641        | 3-67 | 10  |
| 17.0081.3.064        | 3-51 | 22  | 17.0082.8.082        | 3-23 | 27  | 18.0003.1.642        | 3-67 | 11  |
| 17.0081.3.910        | 3-43 | 08  | 17.0082.8.083        | 3-23 | 15  | 18.0003.1.647        | 3-65 | 08  |
| 17.0081.3.957        | 3-29 | 10  |                      |      |     | 18.0003.1.648        | 3-65 | 07  |
| 17.0081.3.960        | 3-29 | 11  | <b>17.0083.1.096</b> |      |     | 18.0004.3.251        | 3-7  | 22  |
| 17.0081.4.295        | 3-11 | 42  | 17.0083.1.096        | 3-31 | 03  | 18.0004.7.200        | 3-37 | 17  |
| 17.0081.4.313        | 3-11 | 32  | 17.0083.6.357        | 3-59 | 36  | 18.0004.9.578        | 3-39 | 26  |
| 17.0081.4.375        | 3-13 | 17  | 17.0084.0.266        | 3-5  | 19  |                      |      |     |
| 17.0081.4.376        | 3-9  | 03  | 17.0084.1.001        | 3-23 | 37  | <b>18.0005.0.000</b> |      |     |
| 17.0081.5.002        | 3-35 | 30  | 17.0084.1.228        | 3-33 | 28  | 18.0005.0.000        | 3-33 | 04  |
| 17.0081.5.003        | 3-19 | 27  | 17.0084.1.564        | 3-63 | 27  | 18.0005.0.001        | 3-39 | 36  |
| 17.0081.5.047        | 3-41 | 04  | 17.0084.1.564        | 3-81 | 27  | 18.0005.2.202        | 3-39 | 04  |
| 17.0081.5.048        | 3-41 | 09  |                      |      |     | 18.0005.2.203        | 3-23 | 17  |
| 17.0081.5.091        | 3-51 | 28  | <b>17.0087.0.169</b> |      |     | 18.0005.2.204        | 3-23 | 12  |
| 17.0081.5.197        | 3-53 | 24  | 17.0087.0.169        | 3-47 | 21  | 18.0005.2.205        | 3-37 | 10  |
| 17.0081.6.201        | 3-39 | 25  | 17.0087.0.204        | 3-21 | 27  | 18.0005.2.207        | 3-9  | 45  |
| 17.0081.8.377        | 3-9  | 13  |                      |      |     | 18.0005.3.000        | 3-35 | 25  |
| 17.0081.8.547        | 3-21 | 04  | <b>17.0092.4.103</b> |      |     | 18.0005.3.001        | 3-27 | 21  |
|                      |      |     | 17.0092.4.103        | 3-57 | 10  |                      |      |     |
| <b>17.0082.2.054</b> |      |     | 17.0094.0.029        | 3-3  | 02  |                      |      |     |
| 17.0082.2.054        | 3-51 | 26  |                      |      |     |                      |      |     |

Revised 08/2003

e-mail: [service@amfreece.cz](mailto:service@amfreece.cz); [parts@amfreece.cz](mailto:parts@amfreece.cz); website: [www.amfreece.com](http://www.amfreece.com)

Phones: +420 582 309 160 (Service), +420 582 309 189 (343) (Spare Parts); Fax: +420 582 360 606

## INDEX

| PART NUMBER          | PAGE | DET | PART NUMBER          | PAGE | DET | PART NUMBER          | PAGE | DET |
|----------------------|------|-----|----------------------|------|-----|----------------------|------|-----|
| <b>18.0007.8.403</b> |      |     | <b>18.0019.0.689</b> |      |     | <b>18.0034.2.400</b> |      |     |
| 18.0007.8.403        | 3-5  | 45  | 18.0019.0.689        | 3-11 | 49  | 18.0034.2.400        | 3-51 | 01  |
| 18.0007.9.011        | 3-59 | 92  | 18.0019.0.690        | 3-11 | 41  | 18.0034.6.035        | 3-19 | 22  |
| 18.0007.9.503        | 3-9  | 54  | 18.0019.6.400        | 3-43 | 09  | <b>18.0034.9.401</b> |      |     |
| 18.0007.9.504        | 3-59 | 96  | <b>18.0023.0.400</b> |      |     | 18.0034.9.401        | 3-27 | 10  |
| 18.0007.9.505        | 3-59 | 85  | 18.0023.0.400        | 3-7  | 03  | 18.0038.3.201        | 3-39 | 09  |
| 18.0007.9.508        | 3-57 | 13  | 18.0023.3.200        | 3-37 | 15  | <b>18.0041.0.674</b> |      |     |
| 18.0007.9.509        | 3-5  | 46  | <b>18.0026.0.601</b> |      |     | 18.0041.0.674        | 3-37 | 04  |
| 18.0007.9.510        | 3-61 | 22  | 18.0026.0.601        | 3-29 | 04  | 18.0041.0.676        | 3-7  | 18  |
| 18.0007.9.900        | 3-83 | 06  | 18.0026.4.400        | 3-45 | 09  | 18.0041.2.400        | 3-27 | 35  |
| 18.0008.4.449        | 3-83 | 17  | 18.0026.4.400        | 3-47 | 09  | 18.0041.2.401        | 3-27 | 04  |
| <b>18.0011.2.400</b> |      |     | 18.0026.4.401        | 3-43 | 26  | 18.0041.3.400        | 3-27 | 19  |
| 18.0011.2.400        | 3-15 | 13  | 18.0026.4.401        | 3-49 | 18  | 18.0041.3.401        | 3-37 | 13  |
| 18.0011.3.400        | 3-9  | 39  | 18.0026.4.401        | 3-49 | 18  | 18.0041.3.401        | 3-37 | 13  |
| 18.0011.3.401        | 3-3  | 36  | 18.0026.4.403        | 3-23 | 16  | 18.0041.6.130        | 3-15 | 21  |
| 18.0011.3.402        | 3-25 | 22  | <b>18.0027.1.606</b> |      |     | 18.0041.6.144        | 3-27 | 18  |
| 18.0011.8.400        | 3-23 | 29  | 18.0027.1.606        | 3-77 | 30  | <b>18.0042.1.403</b> |      |     |
| <b>18.0013.1.480</b> |      |     | 18.0027.1.607        | 3-75 | 63  | 18.0042.1.403        | 3-51 | 02  |
| 18.0013.1.480        | 3-39 | 42  | 18.0027.2.400        | 3-55 | 14  | 18.0042.2.183        | 3-9  | 02  |
| 18.0013.1.481        | 3-7  | 02  | 18.0028.3.400        | 3-3  | 37  | 18.0042.5.404        | 3-43 | 45  |
| 18.0013.1.490        | 3-43 | 39  | 18.0028.3.401        | 3-23 | 08  | 18.0042.5.405        | 3-11 | 26  |
| 18.0013.1.493        | 3-27 | 25  | <b>18.0031.0.481</b> |      |     | 18.0042.7.400        | 3-11 | 15  |
| 18.0014.6.403        | 3-5  | 20  | 18.0031.0.481        | 3-23 | 28  | 18.0042.7.402        | 3-59 | 54  |
| 18.0014.6.406        | 3-7  | 32  | 18.0031.0.482        | 3-53 | 26  | <b>18.0044.1.213</b> |      |     |
| <b>18.0014.7.000</b> |      |     | 18.0031.3.363        | 3-29 | 02  | 18.0044.1.213        | 3-9  | 23  |
| 18.0014.7.000        | 3-5  | 32  | 18.0031.3.401        | 3-11 | 34  | 18.0044.1.492        | 3-27 | 20  |
| 18.0014.7.001        | 3-45 | 36  | 18.0031.8.130        | 3-15 | 20  | 18.0044.1.621        | 3-11 | 44  |
| 18.0015.2.400        | 3-43 | 28  | 18.0031.8.400        | 3-51 | 10  | 18.0044.2.640        | 3-37 | 01  |
| 18.0015.2.400        | 3-45 | 05  | 18.0031.8.401        | 3-7  | 15  | 18.0044.2.641        | 3-11 | 28  |
| 18.0015.2.400        | 3-47 | 05  | 18.0031.8.402        | 3-11 | 29  | <b>18.0051.0.400</b> |      |     |
| 18.0015.2.400        | 3-49 | 04  | <b>18.0032.2.350</b> |      |     | 18.0051.0.400        | 3-9  | 40  |
| 18.0015.6.044        | 3-29 | 06  | 18.0032.2.350        | 3-7  | 19  | 18.0051.0.404        | 3-27 | 03  |
| 18.0015.6.400        | 3-3  | 14  | 18.0032.2.400        | 3-53 | 38  | 18.0052.0.274        | 3-7  | 24  |
| <b>18.0016.1.288</b> |      |     | 18.0032.3.198        | 3-7  | 27  | 18.0052.0.500        | 3-9  | 38  |
| 18.0016.1.288        | 3-3  | 13  | 18.0032.8.400        | 3-39 | 31  | <b>18.0052.1.400</b> |      |     |
| 18.0016.3.404        | 3-3  | 32  | <b>18.0033.1.400</b> |      |     | 18.0052.1.400        | 3-7  | 21  |
| 18.0017.1.400        | 3-23 | 13  | 18.0033.1.400        | 3-39 | 15  | 18.0056.2.117        | 3-9  | 05  |
| 18.0017.2.400        | 3-53 | 13  | 18.0033.1.402        | 3-3  | 06  | 18.0056.2.117        | 3-17 | 20  |
| 18.0017.2.403        | 3-69 | 11  | 18.0033.2.404        | 3-53 | 16  | 18.0056.2.118        | 3-17 | 01  |
| 18.0019.0.688        | 3-53 | 55  | 18.0033.5.400        | 3-35 | 13  |                      |      |     |
|                      |      |     | 18.0033.8.400        | 3-11 | 01  |                      |      |     |

Revised 08/2003

e-mail: [service@amfreece.cz](mailto:service@amfreece.cz); [parts@amfreece.cz](mailto:parts@amfreece.cz); website: [www.amfreece.com](http://www.amfreece.com)  
 Phones: +420 582 309 160 (Service), +420 582 309 189 (343) (Spare Parts); Fax: +420 582 360 606

**INDEX**

| PART NUMBER          | PAGE | DET | PART NUMBER          | PAGE | DET | PART NUMBER          | PAGE | DET |
|----------------------|------|-----|----------------------|------|-----|----------------------|------|-----|
| <b>18.0061.2.420</b> |      |     | <b>18.0066.7.408</b> |      |     | <b>18.0074.6.200</b> |      |     |
| 18.0061.2.420        | 3-25 | 31  | 18.0066.7.408        | 3-65 | 09  | 18.0074.6.200        | 3-3  | 07  |
| 18.0061.3.350        | 3-7  | 26  | 18.0066.7.408        | 3-81 | 34  | 18.0074.6.201        | 3-3  | 30  |
| 18.0061.3.606        | 3-43 | 47  |                      |      |     | 18.0074.6.203        | 3-3  | 40  |
| <b>18.0061.6.400</b> |      |     | <b>18.0066.7.409</b> |      |     | 18.0074.6.204        | 3-3  | 19  |
| 18.0061.6.400        | 3-27 | 38  | 18.0066.7.409        | 3-65 | 10  | 18.0074.6.205        | 3-3  | 08  |
| <b>18.0062.1.400</b> |      |     | 18.0066.7.409        | 3-81 | 35  |                      |      |     |
| 18.0062.1.400        | 3-7  | 04  | 18.0066.7.410        | 3-43 | 22  | <b>18.0074.6.206</b> |      |     |
| 18.0062.2.404        | 3-27 | 26  | 18.0066.7.411        | 3-45 | 12  | 18.0074.6.206        | 3-3  | 11  |
| 18.0062.2.406        | 3-55 | 16  | 18.0066.7.411        | 3-45 | 12  | 18.0074.6.207        | 3-3  | 21  |
| 18.0062.5.400        | 3-39 | 29  | 18.0066.7.412        | 3-65 | 11  | 18.0074.6.207        | 3-3  | 21  |
| 18.0062.5.402        | 3-23 | 09  | 18.0066.7.412        | 3-81 | 36  | 18.0074.6.209        | 3-3  | 15  |
| 18.0062.5.407        | 3-43 | 03  | 18.0066.7.412        | 3-81 | 36  | 18.0074.6.210        | 3-3  | 41  |
| 18.0062.6.400        | 3-35 | 24  | 18.0066.7.413        | 3-65 | 12  | 18.0074.6.210        | 3-3  | 41  |
| 18.0062.7.400        | 3-51 | 11  | 18.0066.7.413        | 3-65 | 12  | 18.0074.6.219        | 3-55 | 17  |
| 18.0062.7.402        | 3-35 | 44  | 18.0066.7.413        | 3-81 | 37  | 18.0075.4.020        | 3-3  | 22  |
| 18.0062.7.403        | 3-53 | 31  | <b>18.0067.2.400</b> |      |     |                      |      |     |
| 18.0062.7.404        | 3-39 | 37  | 18.0067.2.400        | 3-37 | 11  | <b>18.0081.0.502</b> |      |     |
| <b>18.0063.5.400</b> |      |     | 18.0067.2.401        | 3-37 | 03  | 18.0081.0.502        | 3-53 | 34  |
| 18.0063.5.400        | 3-39 | 34  | 18.0067.2.401        | 3-37 | 03  | 18.0081.0.503        | 3-3  | 27  |
| 18.0063.5.401        | 3-43 | 24  | 18.0067.2.402        | 3-37 | 18  | 18.0081.0.503        | 3-3  | 27  |
| 18.0063.5.401        | 3-45 | 16  | 18.0067.2.402        | 3-63 | 02  | 18.0081.0.508        | 3-75 | 65  |
| 18.0063.5.401        | 3-47 | 16  | 18.0067.2.402        | 3-63 | 02  | 18.0081.0.508        | 3-77 | 10  |
| 18.0063.5.401        | 3-49 | 16  | 18.0067.2.402        | 3-81 | 02  | 18.0081.0.508        | 3-77 | 10  |
| 18.0063.5.401        | 3-49 | 16  | 18.0067.2.403        | 3-81 | 02  | 18.0081.1.403        | 3-45 | 01  |
| 18.0063.5.409        | 3-73 | 11  | 18.0067.2.403        | 3-37 | 18  | 18.0081.1.403        | 3-45 | 01  |
| <b>18.0064.1.100</b> |      |     | 18.0067.2.404        | 3-37 | 18  | 18.0081.1.404        | 3-43 | 36  |
| 18.0064.1.100        | 3-11 | 25  | 18.0067.2.404        | 3-37 | 18  | 18.0081.1.404        | 3-43 | 36  |
| 18.0064.1.401        | 3-25 | 08  | 18.0067.2.404        | 3-63 | 01  | 18.0081.4.442        | 3-37 | 12  |
| 18.0064.4.402        | 3-29 | 03  | 18.0067.2.404        | 3-63 | 01  |                      |      |     |
| 18.0064.5.754        | 3-39 | 30  | 18.0067.2.404        | 3-81 | 01  | <b>18.0081.5.400</b> |      |     |
| 18.0064.5.836        | 3-29 | 14  | 18.0067.2.405        | 3-37 | 18  | 18.0081.5.400        | 3-53 | 50  |
| 18.0064.6.427        | 3-19 | 03  | 18.0067.2.405        | 3-37 | 18  | 18.0081.5.401        | 3-43 | 55  |
| 18.0064.6.464        | 3-39 | 14  | 18.0067.2.405        | 3-63 | 03  | 18.0081.5.401        | 3-43 | 55  |
| 18.0064.6.470        | 3-5  | 40  | 18.0067.2.405        | 3-63 | 03  | 18.0081.5.402        | 3-45 | 27  |
| 18.0064.6.471        | 3-3  | 52  | 18.0067.2.405        | 3-81 | 03  | 18.0081.5.402        | 3-45 | 27  |
| 18.0064.7.410        | 3-23 | 47  | 18.0067.2.407        | 3-37 | 02  | 18.0081.5.402        | 3-47 | 27  |
| 18.0064.7.412        | 3-73 | 23  | 18.0067.2.407        | 3-37 | 02  | 18.0081.5.402        | 3-47 | 27  |
| 18.0064.8.400        | 3-37 | 05  | 18.0067.4.402        | 3-71 | 03  | 18.0081.5.404        | 3-39 | 22  |
| 18.0064.8.404        | 3-5  | 30  | <b>18.0071.0.200</b> |      |     | 18.0081.5.404        | 3-39 | 22  |
| 18.0064.8.422        | 3-43 | 44  | 18.0071.0.200        | 3-5  | 07  | 18.0081.5.414        | 3-49 | 25  |
| 18.0064.8.426        | 3-75 | 62  | 18.0071.0.200        | 3-5  | 07  | 18.0081.5.414        | 3-49 | 25  |
| 18.0064.8.427        | 3-77 | 35  | 18.0071.3.159        | 3-5  | 02  | 18.0081.5.424        | 3-51 | 36  |
|                      |      |     | 18.0071.3.159        | 3-5  | 02  |                      |      |     |
|                      |      |     | 18.0071.4.200        | 3-5  | 01  | <b>18.0082.1.400</b> |      |     |
|                      |      |     | 18.0071.4.200        | 3-5  | 01  | 18.0082.1.400        | 3-53 | 49  |
|                      |      |     | 18.0071.7.400        | 3-23 | 45  | 18.0082.1.401        | 3-53 | 19  |
|                      |      |     |                      |      |     | 18.0082.1.401        | 3-53 | 19  |
|                      |      |     | <b>18.0072.4.400</b> |      |     | 18.0082.2.520        | 3-53 | 32  |
|                      |      |     | 18.0072.4.400        | 3-3  | 01  | 18.0082.2.520        | 3-53 | 32  |
|                      |      |     | 18.0072.4.400        | 3-3  | 01  | 18.0082.2.524        | 3-51 | 18  |
|                      |      |     | 18.0074.4.510        | 3-5  | 23  | 18.0082.2.524        | 3-51 | 18  |
|                      |      |     | 18.0074.4.510        | 3-5  | 23  | 18.0082.3.400        | 3-35 | 32  |
|                      |      |     | 18.0074.4.521        | 3-7  | 13  | 18.0082.3.400        | 3-35 | 32  |
|                      |      |     | 18.0074.4.521        | 3-7  | 13  | 18.0082.3.403        | 3-57 | 09  |
|                      |      |     | 18.0074.4.522        | 3-53 | 41  |                      |      |     |
|                      |      |     | 18.0074.4.522        | 3-53 | 41  | <b>18.0082.6.400</b> |      |     |
|                      |      |     | 18.0074.4.532        | 3-73 | 21  | 18.0082.6.400        | 3-9  | 25  |
|                      |      |     |                      |      |     | 18.0082.6.401        | 3-39 | 24  |
|                      |      |     |                      |      |     | 18.0082.6.401        | 3-39 | 24  |
|                      |      |     |                      |      |     | 18.0082.6.405        | 3-35 | 39  |
|                      |      |     |                      |      |     | 18.0082.6.405        | 3-35 | 39  |
|                      |      |     |                      |      |     | 18.0082.6.406        | 3-23 | 06  |
|                      |      |     |                      |      |     | 18.0082.6.406        | 3-23 | 06  |

Revised 08/2003

e-mail: service@amfreece.cz; parts@amfreece.cz; website: www.amfreece.com

Phones: +420 582 309 160 (Service), +420 582 309 189 (343) (Spare Parts); Fax: +420 582 360 606

## INDEX

| PART NUMBER          | PAGE | DET | PART NUMBER          | PAGE | DET | PART NUMBER | PAGE | DET |
|----------------------|------|-----|----------------------|------|-----|-------------|------|-----|
| <b>18.0082.6.408</b> |      |     | <b>18.0094.3.400</b> |      |     |             |      |     |
| 18.0082.6.408        | 3-59 | 69  | 18.0094.3.400        | 3-25 | 29  |             |      |     |
| 18.0082.6.409        | 3-23 | 44  | 18.0094.5.319        | 3-11 | 37  |             |      |     |
| 18.0082.6.410        | 3-23 | 40  | 18.0094.5.400        | 3-35 | 31  |             |      |     |
| 18.0082.6.417        | 3-73 | 22  |                      |      |     |             |      |     |
| 18.0082.6.419        | 3-73 | 33  | <b>18.0095.1.271</b> |      |     |             |      |     |
|                      |      |     | 18.0095.1.271        | 3-7  | 17  |             |      |     |
| <b>18.0082.8.400</b> |      |     | 18.0095.1.401        | 3-11 | 16  |             |      |     |
| 18.0082.8.400        | 3-23 | 26  | 18.0095.1.402        | 3-3  | 31  |             |      |     |
| 18.0082.8.401        | 3-53 | 17  |                      |      |     |             |      |     |
|                      |      |     | <b>18.0095.1.404</b> |      |     |             |      |     |
| <b>18.0083.1.662</b> |      |     | 18.0095.1.404        | 3-75 | 59  |             |      |     |
| 18.0083.1.662        | 3-3  | 50  | 18.0095.1.404        | 3-77 | 31  |             |      |     |
| 18.0083.1.663        | 3-3  | 51  | 18.0095.4.400        | 3-3  | 38  |             |      |     |
| 18.0083.1.665        | 3-59 | 55  | 18.0097.5.400        | 3-9  | 48  |             |      |     |
| 18.0083.1.666        | 3-59 | 56  |                      |      |     |             |      |     |
| 18.0083.1.667        | 3-43 | 13  | <b>19.0008.3.301</b> |      |     |             |      |     |
|                      |      |     | 19.0008.3.301        | 3-55 | 11  |             |      |     |
| <b>18.0083.4.000</b> |      |     | 19.0016.3.406        | 3-79 | 05  |             |      |     |
| 18.0083.4.000        | 3-39 | 03  | 19.0043.6.441        | 3-19 | 11  |             |      |     |
| 18.0083.4.003        | 3-51 | 13  |                      |      |     |             |      |     |
| 18.0083.4.004        | 3-51 | 14  | <b>19.0064.5.847</b> |      |     |             |      |     |
| 18.0083.4.006        | 3-55 | 02  | 19.0064.5.847        | 3-67 | 06  |             |      |     |
| 18.0083.6.613        | 3-35 | 14  | 19.0064.5.849        | 3-65 | 03  |             |      |     |
| 18.0083.6.615        | 3-3  | 28  | 19.0064.5.849        | 3-67 | 05  |             |      |     |
| 18.0083.6.616        | 3-61 | 20  | 19.0064.5.852        | 3-65 | 01  |             |      |     |
| 18.0083.9.287        | 3-79 | 01  | 19.0064.5.852        | 3-67 | 03  |             |      |     |
|                      |      |     | 19.0064.5.854        | 3-67 | 02  |             |      |     |
| <b>18.0087.0.405</b> |      |     | 19.0064.5.855        | 3-67 | 01  |             |      |     |
| 18.0087.0.405        | 3-33 | 17  | 19.0064.5.951        | 3-33 | 19  |             |      |     |
| 18.0087.0.405        | 3-67 | 07  | 19.0064.5.952        | 3-65 | 02  |             |      |     |
| 18.0087.0.406        | 3-67 | 08  | 19.0064.5.952        | 3-67 | 04  |             |      |     |
| 18.0087.0.407        | 3-65 | 05  | 19.0064.5.955        | 3-81 | 32  |             |      |     |
| 18.0087.0.408        | 3-65 | 04  | 19.0064.5.956        | 3-73 | 19  |             |      |     |
| 18.0087.0.411        | 3-43 | 40  | 19.0064.5.957        | 3-81 | 33  |             |      |     |
| 18.0087.0.412        | 3-43 | 41  |                      |      |     |             |      |     |
| 18.0087.0.417        | 3-73 | 17  | <b>22.0124.0.000</b> |      |     |             |      |     |
| 18.0087.0.418        | 3-81 | 30  | 22.0124.0.000        | 3-3  | 42  |             |      |     |
| 18.0087.0.419        | 3-81 | 31  | 22.0203.0.000        | 3-61 | 05  |             |      |     |
|                      |      |     |                      |      |     |             |      |     |
| <b>18.0091.0.400</b> |      |     | <b>24.0040.0.000</b> |      |     |             |      |     |
| 18.0091.0.400        | 3-59 | 41  | 24.0040.0.000        | 3-59 | 05  |             |      |     |
| 18.0093.2.400        | 3-9  | 41  | 24.0057.0.000        | 3-59 | 47  |             |      |     |
| 18.0094.1.103        | 3-11 | 14  | 24.0060.0.000        | 3-59 | 57  |             |      |     |
| 18.0094.1.103        | 3-13 | 05  | 24.0091.0.000        | 3-59 | 28  |             |      |     |
|                      |      |     | 24.0097.0.000        | 3-61 | 12  |             |      |     |

Revised 08/2003

e-mail: [service@amfreece.cz](mailto:service@amfreece.cz); [parts@amfreece.cz](mailto:parts@amfreece.cz); website: [www.amfreece.com](http://www.amfreece.com)  
 Phones: +420 582 309 160 (Service), +420 582 309 189 (343) (Spare Parts); Fax: +420 582 360 606

[www.promelectroavtomat.ru](http://www.promelectroavtomat.ru)