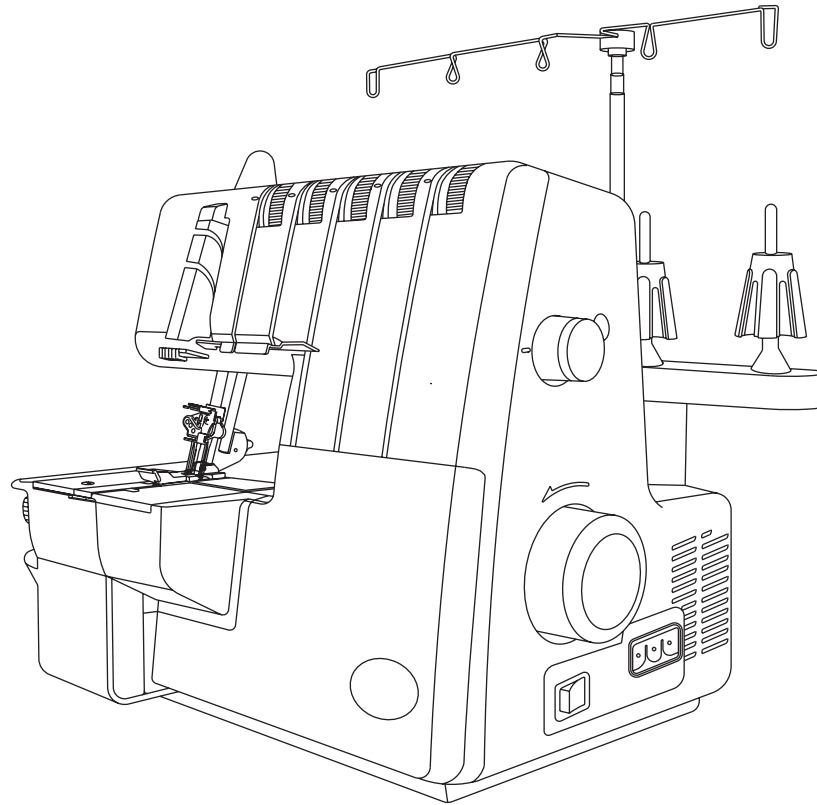
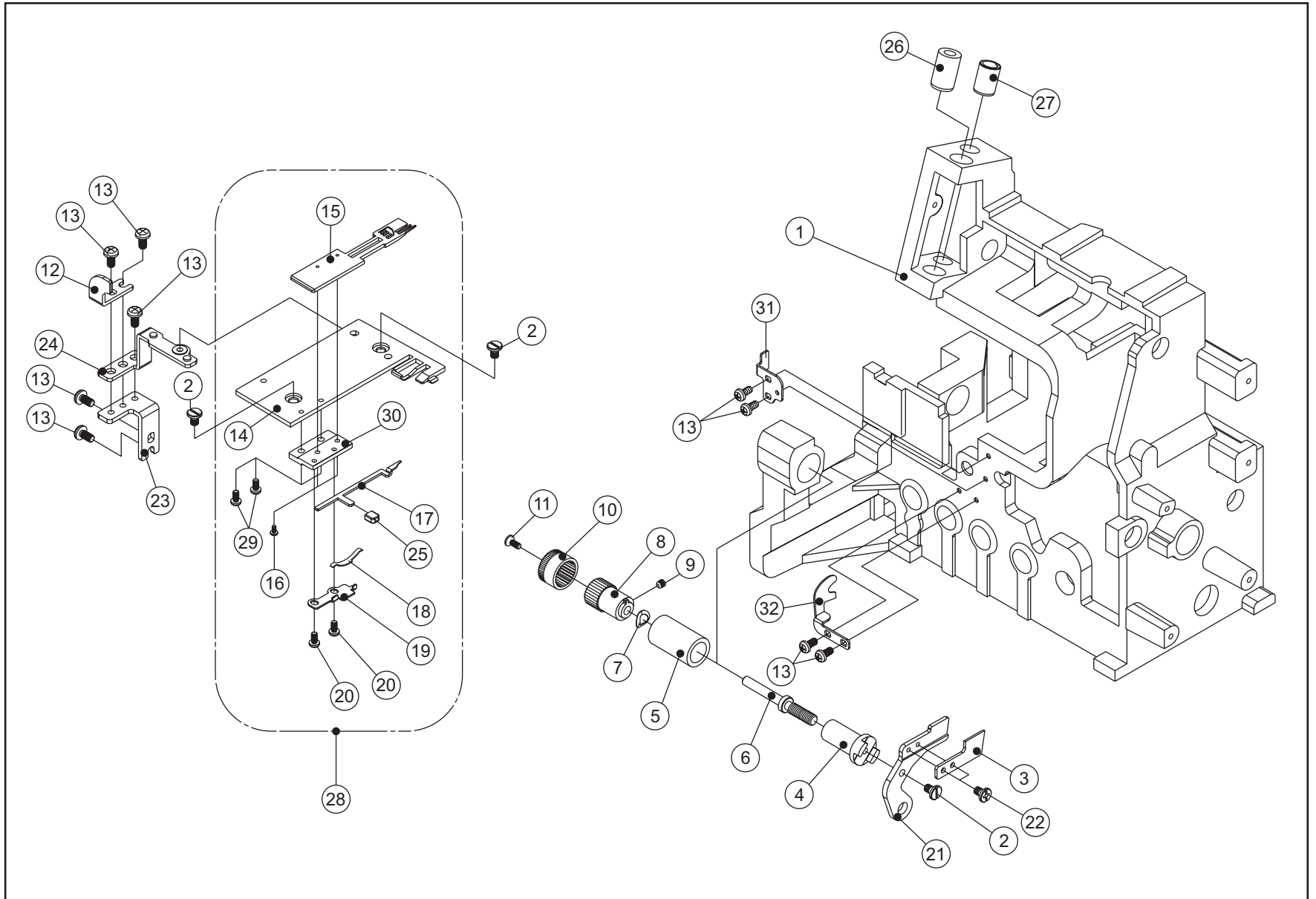


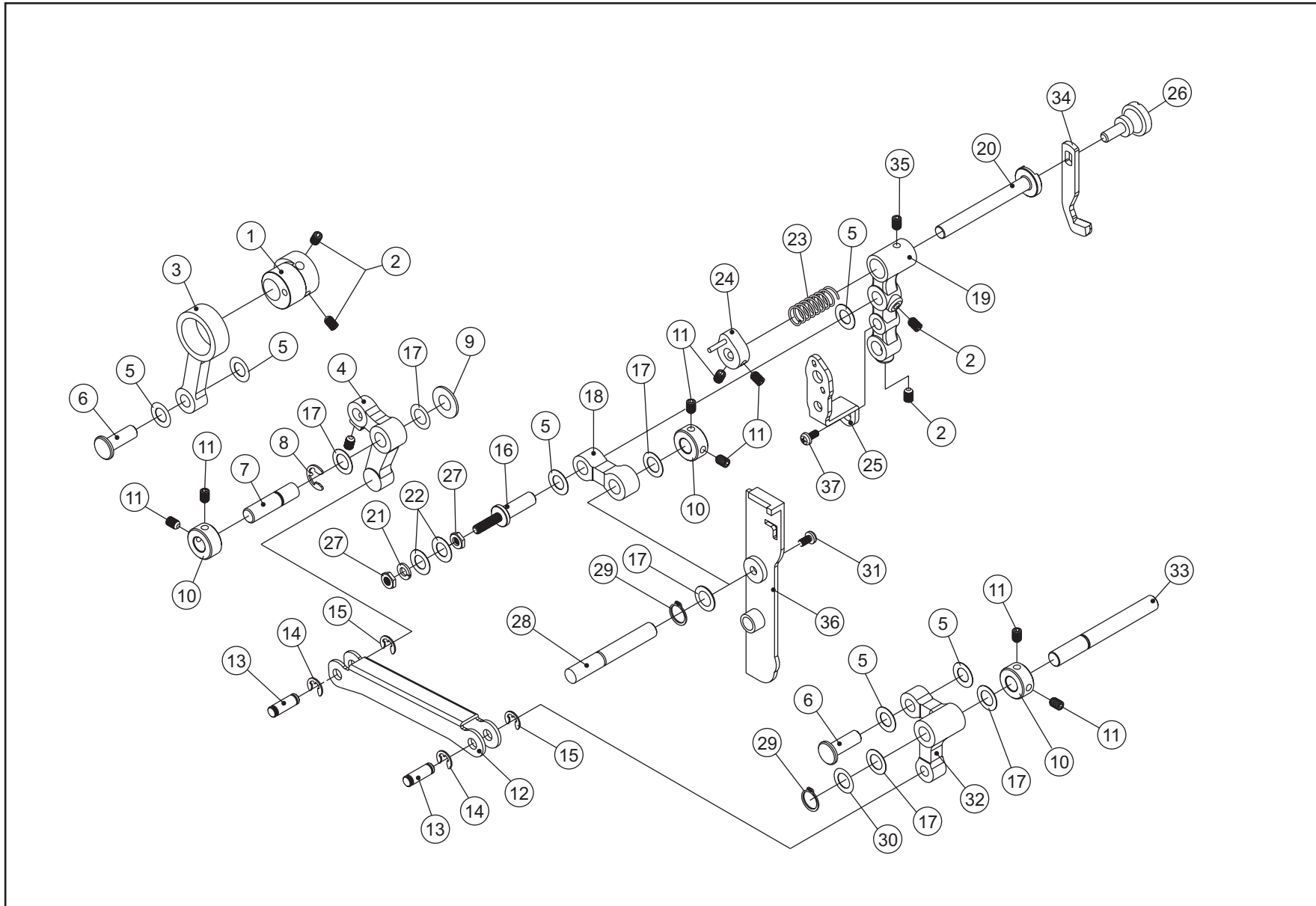
# Parts List





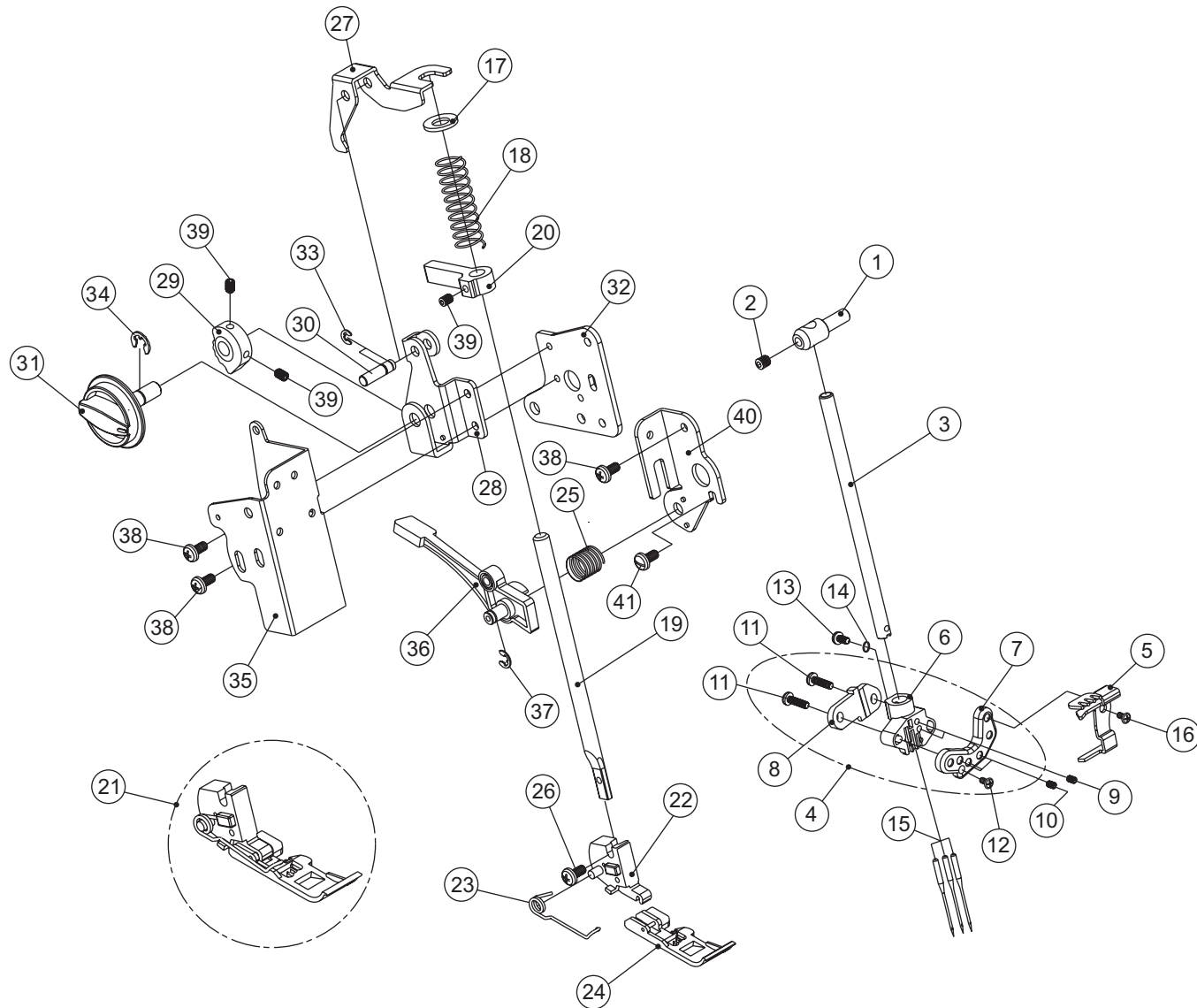
## 5. Machine frame / Lower knife / Stitch plate

No.	Parts No.	Parts Name	No.	Parts No.	Parts Name
1	G1002	Machine frame	18	G1289	Locating spring
2	G1279	Set screw	19	G1132	Moving lever holder
3	G1075	Lower knife	20	M03L03A03	Set screw
4	G1072	Lower knife holder	21	G1245	Lower knife support
5	G1244	Lower knife holder bushing	22	M03L04A03	Set screw
6	G1135	Cutting width knob shaft	23	G1156	Needle plate locating board support
7	W05W09A01	Wave washer	24	G1155	Needle plate locating board
8	G2055	Cutting width knob	25	B10141567	Moving lever cover
9	M04L04E01	Set screw	26	A10371000	Needle bar bushing
10	B1059B002	Lower knife dial	27	G1265	Presser bar bushing
11	M03L06I04	Set screw	28	G1067A	Stitch plate set (No. 14.15.16.17.18. 19.20.25.29.30 included)
12	G1283	Front feed dog guide board			
13	M04L08A06	Set screw	29	M03L05A03	Set screw
14	G1067	Stitch plate	30	G2091	Fixed board
15	G1041	Fixed lever	31	G1153	Feed dog holder guide board (front)
16	M02L04I04	Set screw	32	G1154	Feed dog holder guide board (rear)
17	G1068	Moving lever			



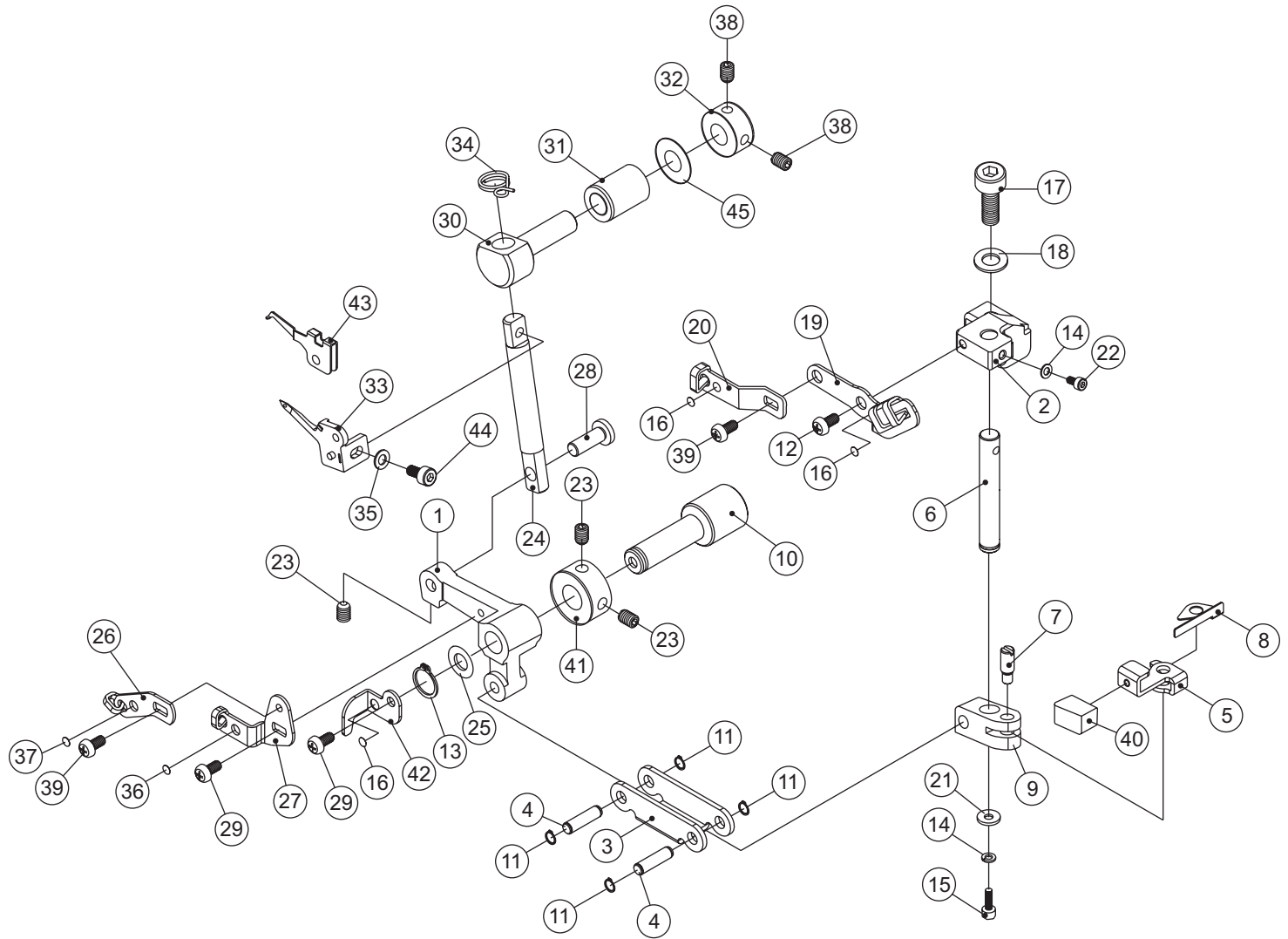
## 9. Upper knife

<u>No.</u>	<u>Parts No.</u>	<u>Parts Name</u>	<u>No.</u>	<u>Parts No.</u>	<u>Parts Name</u>
1	G1084	Upper knife cam	20	G2035	Upper knife holder
2	M04L06E01	Set screw	21	W04S13A06	Spring washer
3	G1081	Upper knife shake link	22	W04F10A06	Washer
4	G1082	Upper knife shake arm	23	G1140	Upper knife spring
5	W06T11A00	Washer	24	G11412	Upper knife setting collar
6	A10831000	Feed drive link pin (B)	25	G1142	Upper knife holder support
7	G1225	Upper knife shake arm shaft	26	G1206	Set screw
8	E06T08A04	E ring	27	M04H30A03	Nut
9	W07F15A06	Washer	28	G1133	Upper knife arm support bar shaft
10	A10941001	Setting collar	29	C07T08A01	C ring
11	M04L04E01	Set screw	30	W07F12A01	Washer
12	G1083	Upper knife link	31	M03L06I04	Set screw
13	G1236	Upper knife link pin	32	G1078	Upper knife arm drive arm
14	E04T06A04	E ring	33	G1146	Upper knife shake arm shaft
15	E04T06C04	E ring	34	G1076	Upper knife
16	G1143	Upper knife arm shaft	35	M03L04L01	Set screw
17	W07T12A00	Washer	36	G1229-567	Upper knife set cover
18	G1073	Upper knife arm support bar	37	M04L08A06	Set screw
19	G1074	Upper knife arm			



## 11. Needle bar / Presser bar / Presser foot

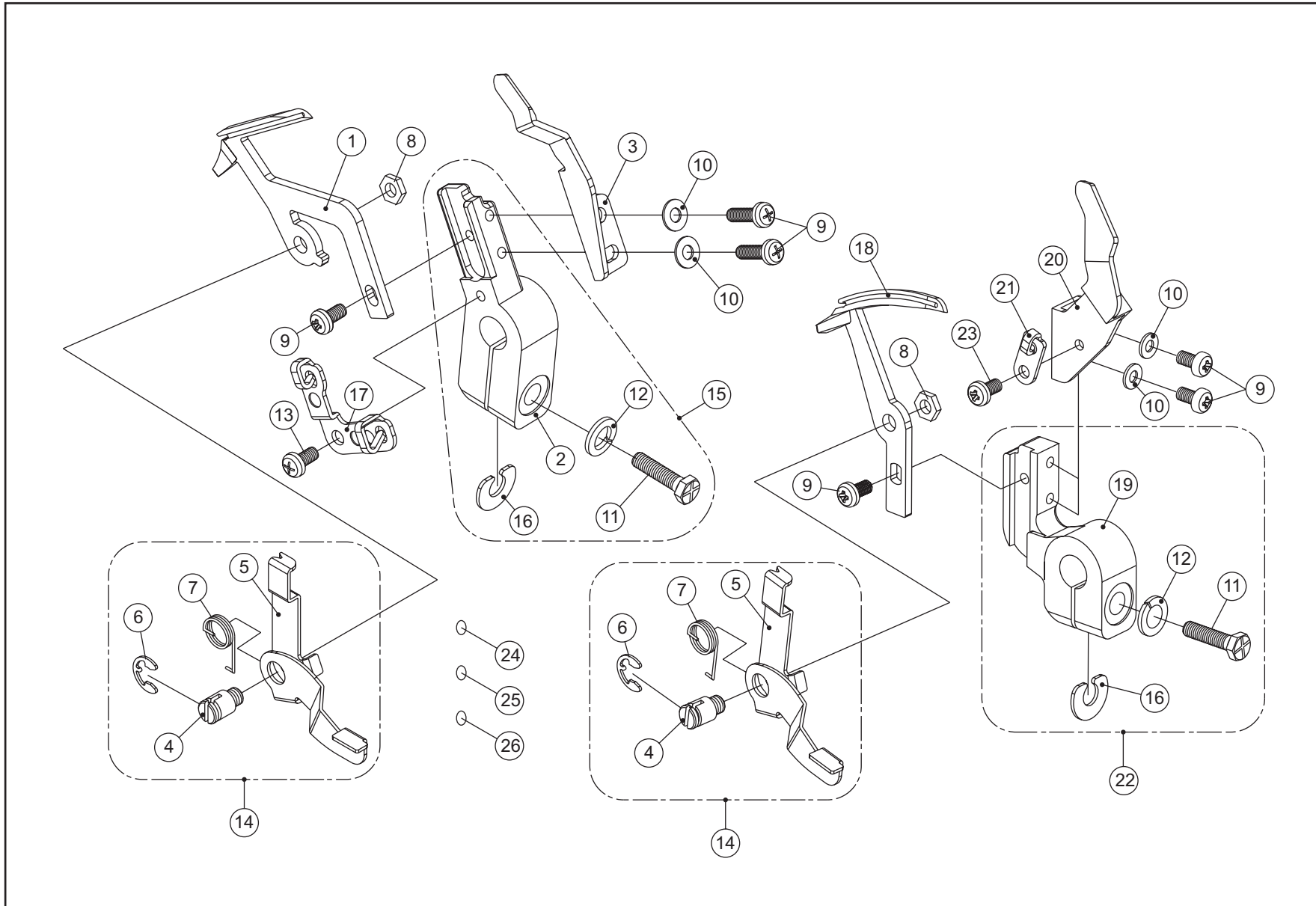
<u>No.</u>	<u>Parts No.</u>	<u>Parts Name</u>	<u>No.</u>	<u>Parts No.</u>	<u>Parts Name</u>
1	G1088	Needle bar setting link	22	A1A021004	Presser foot holder
2	M05L06E01	Set screw	23	G1022	Presser foot spring
3	G1286	Needle bar	24	G1288	Presser foot
4	G12462	Needle clamp complete set	25	G2020	Presser bar lifter spring
5	G1249	Needle clamp thread guide	26	096408A04	Set screw
6	G1246	Needle clamp	27	G1185	Needle bar locate board
7	G1247	Needle clamp lower board	28	G1186	Needle bar locate support
8	G1248	Needle clamp upper board	29	G1187	Needle bar locate cam
9	M03L05H01	Set screw	30	G1188	Needle bar locate pin
10	M03L04H01	Set screw	31	G11902567	Presser bar dial
11	M03L14B03	Set screw	32	G2015	Support setting board
12	M02L04I04	Set screw	33	E04T06A04	E ring
13	010807A03	Set screw	34	E06T08A04	E ring
14	W03S13I04	Washer	35	G1191	Bulb holder
15	A1K044000	Needle	36	G1298	Presser bar lifter
16	M03L06I04	Set screw	37	E05T06A04	E ring
17	W07F15A06	Washer	38	M04L08A06	Set screw
18	G2066	Presser bar spring	39	M04L06E01	Set screw
19	G1266	Presser bar	40	G2013	Presser bar lifter holder
20	G2016	Presser bar setting link	41	G1279	Set screw
21	G12882	Presser foot complete set			





## 12. Upper looper

No.	Parts No.	Parts Name	No.	Parts No.	Parts Name
1	G1005	Upper looper connecting arm	24	G1263	Slide shaft
2	G1003	Waver supporter	25	W08F12A02	Washer
3	G1004	Waver slide block link	26	G1239	Upper looper thread take-up lever
4	G1015	Waver slide block pin	27	G1254	Lower looper thread take-up lever
5	G1006	Waver slide block	28	G1296	Slide shaft pin
6	G1007	Waver shaft	29	M03L06I04	Set screw
7	G1008	Waver slide block pin	30	G1085	Slide shaft holder
8	G1009	Waver slide block locating spring	31	G1086	Slide shaft holder bushing
9	G1010	Waver slide block	32	A10941001	Setting collar
10	G1061	Slide shaft holder	33	G1261	Upper looper
11	C04T04A01	C ring	34	G1271	Upper looper threading guide
12	M04L4.5A04	Set screw	35	W03F07B03	Washer
13	C08T08A01	C ring	36	A11481235	Color sticker (red)
14	W03S13I04	Washer	37	A11481250	Color sticker (green)
15	M03L06F01	Set screw	38	M04L04E01	Set screw
16	A11481499	Color sticker (brown)	39	M03L03A03	Set screw
17	M05L16F01	Set screw	40	G1080	Locating board cover
18	W05S13A06	Washer	41	A10961001	Setting collar
19	G1253	Cover stitch looper thread take-up lever (A)	42	G1030	Cover stitch looper thread take-up (A)
20	G1267	Cover stitch looper thread take-up lever (B)	43	G1303	Two thread converter
21	G1017	Washer	44	M03L08F01	Set screw
22	M03L10F01	Set screw	45	W07T12A00	Washer
23	M04L06E01	Sst screw			



## 15. Lower looper / Cover stitch looper / Auto threader

<u>No.</u>	<u>Parts No.</u>	<u>Parts Name</u>
1	G1152	Lower looper
2	G1151	Lower looper supporter
3	G1260	Lower looper protect board
4	G1149	Auto threader shaft
5	G1148	Auto threader
6	E04T06A04	E ring
7	A30051001	Auto threader spring
8	G2069	Nut
9	M03L08I01	Set screw
10	W03F07B03	Washer
11	M05L18M02	Set screw
12	W05S13A06	Spring washer
13	M03L06I04	Set screw
14	G11482	Auto threader complete set
15	G11512	Lower looper supporter set
16	G1287	Washer
17	G1270	Lower looper thread guide
18	G1070	Cover stitch looper
19	G1071	Cover stitch looper supporter
20	G1259	Cover stitch looper protect board
21	G1269	Cover stitch looper thread guide
22	G10712	Cover stitch looper supporter set
23	M03L03A03	Set screw
24	A11481250	Color sticker (green)
25	A11481235	Color sticker (red)
26	A11481499	Color sticker (brown)