

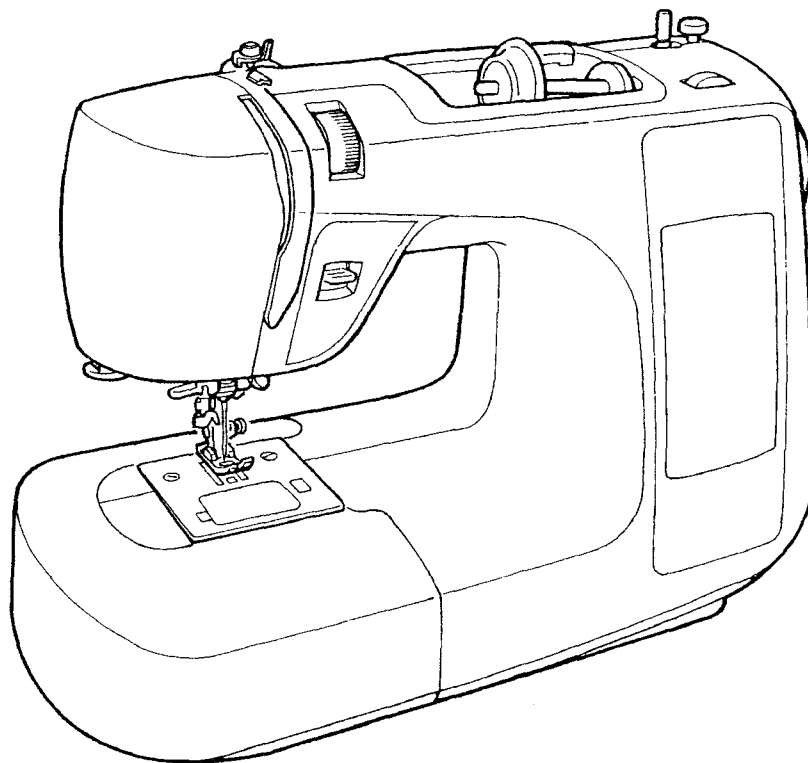
**JUKI®**

Portable Zigzag Sewing Machine

**HZL-30Z**

# PARTS LIST

---



## CONTENTS

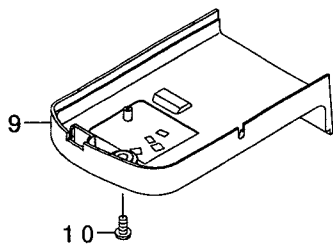
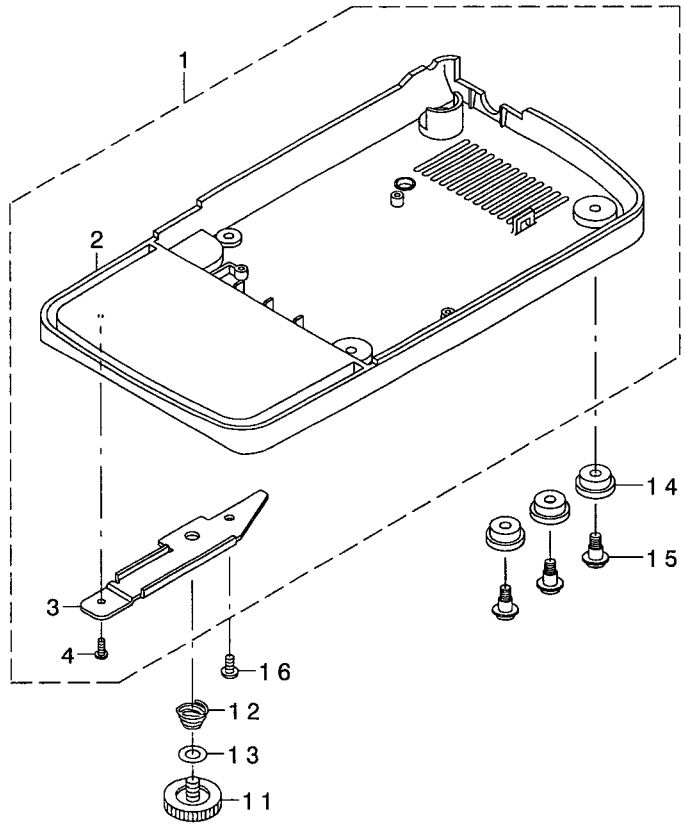
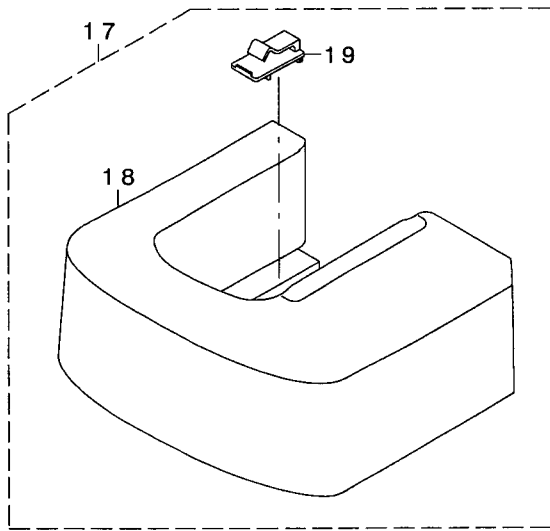
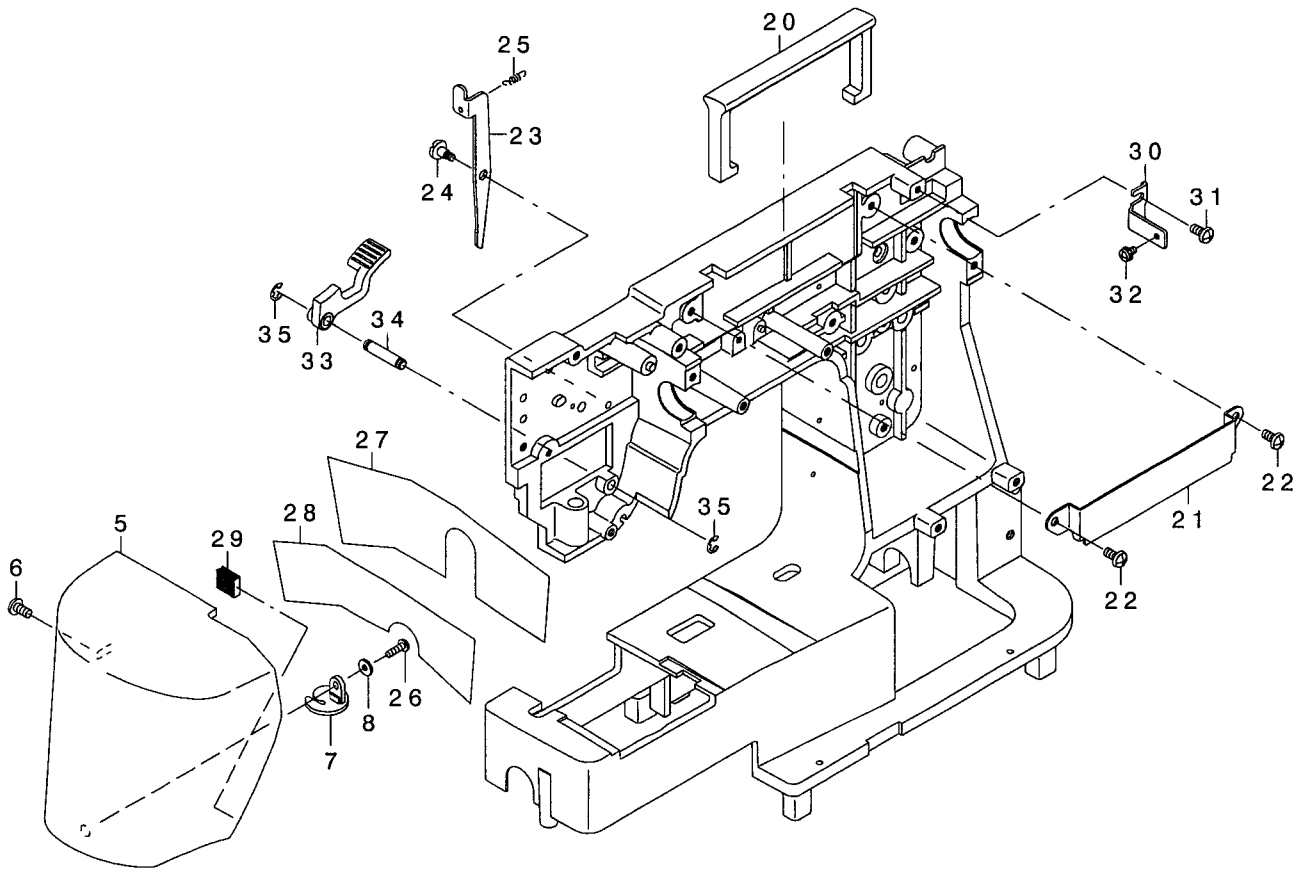
1. COVER AND PRESSER LIFTER COMPONENTS .....	1
2. BH AND BOBBIN WINDER COMPONENTS .....	3
3. FRONT PANEL AND DISPLAY PWB COMPONENTS .....	5
4. REAR PANEL AND THREAD SPOOL COVER COMPONENTS .....	7
5. MAIN SHAFT AND BALANCE COMPONENTS .....	9
6. THROAT PLATE AND HOOK DRIVING SHAFT COMPONENTS .....	11
7. NEEDLE BAR, PRESSER BAR AND LAMP COMPONENTS .....	13
8. THREAD TENSION COMPONENTS .....	15
9. FEED BASE COMPONENTS .....	17
10. MECHANISM BASE COMPONENTS .....	19
11. AXIS DRIVE MOTOR AND POWER SOURCE BASE COMPONENTS .....	21
12. PACKING MATERIAL, ACCESSORIES PARTS .....	23
AND OPTIONAL PARTS COMPONENTS	

### (Remarks)

The part which has an asterisk (\*) before its part number is not separately available as a spare part so that the accuracy in assembling and smoothness in component investigation are assured.

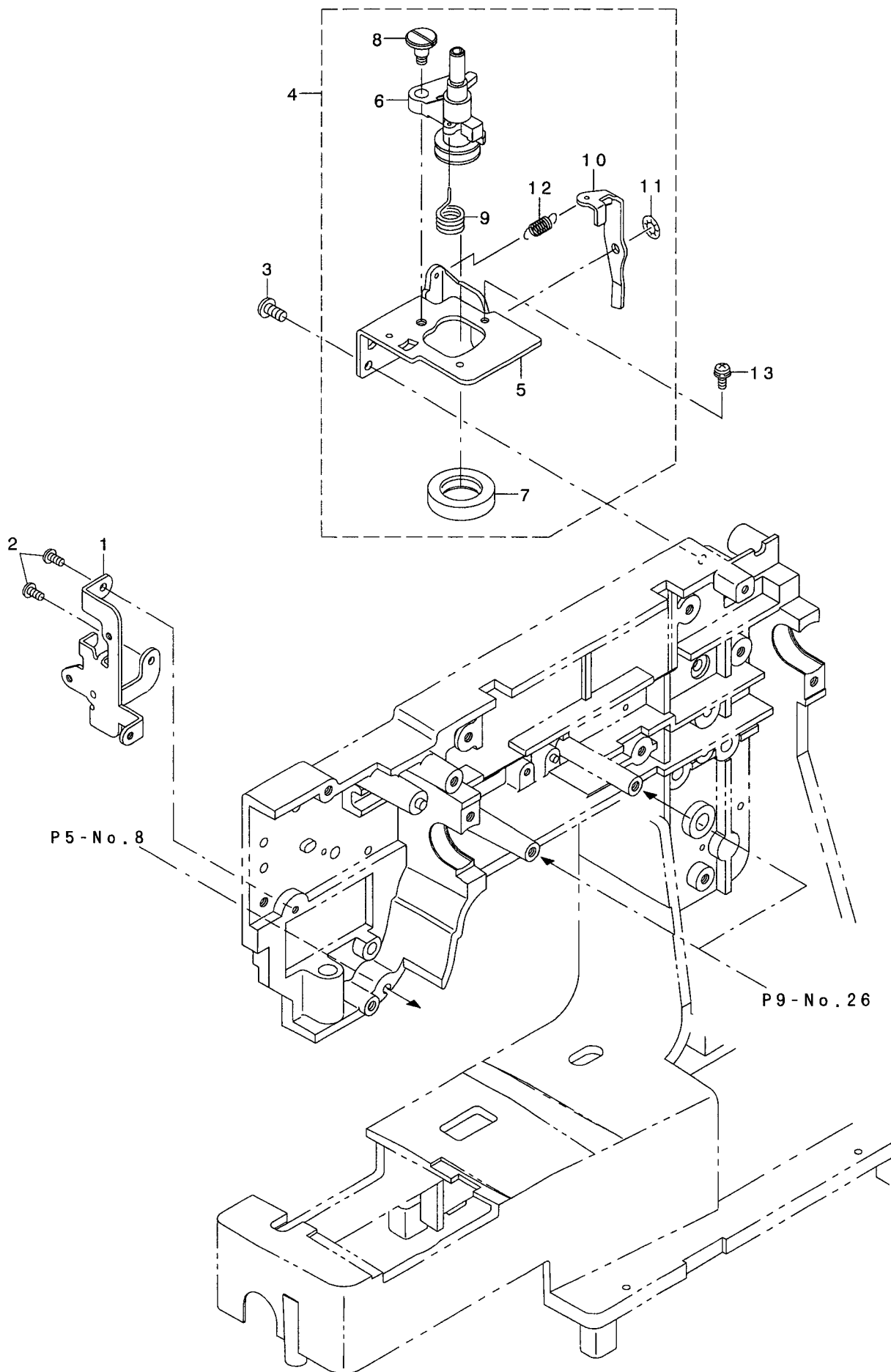
Consequently, please place your order using the part number of assembly containing the part.

# 1. COVER AND PRESSER LIFTER COMPONENTS



NO.	NOTE	PART NO.	PART DESCRIPTION	Qty	NOTE
1		A1160 20Z 0A0	BASE PLATE (ASM.)	1	
2		A1160 E50 000	BASE PLATE	(1)	
3		A1161 E50 000	BASE PLATE REINFORCING PLATE	(1)	
4		ST 5030851 SN	SCREW	(1)	
5		A3115 E50 000	FACE PLATE	1	
6		SM 5040855 SN	SCREW	1	
7		A3120 031 0A0	FACE PLATE THREAD CUTTER EDGE (ASM.)	1	
8		WP 0330816 SF	WASHER	1	
9		A1106 E50 000	FREE ARM COVER	1	
10		SM 5040855 SN	SCREW	1	
11		A1158 067 000	HEIGHT ADJUSTING SCREW	1	
12		A1159 770 000	HEIGHT ADJUSTING SPRING	1	
13		160018009-034	HEIGHT ADJUSTING SPRING WASHER	1	
14		A1161 980 000	RUBBER WASHER	3	
15		A1171 030 000	SCREW	3	
16		SM 5040855 SN	SCREW	1	
17		A1162 E50 0A0	AUXILIARY BED ASM.	1	
18		A1162 E50 000	AUXILIARY BED	(1)	
19		A1164 E50 000	AUXILIARY BED FIXING SPRING	(1)	
20		A1120 E50 000	HANDLE	1	
21		A1124 E50 000	HANDLE RETAINING PLATE	1	
22		SM 5040855 SF	SCREW	2	
23		051893005-000	THREAD RELEASE	1	
24		353500135-024	STEP SCREW	1	
25		040678002-000	PULLING SPRING	1	
26		ST 5031051 SN	SCREW	1	
27		A3119 E50 00A	REFLECTION PLATE SEAL A	1	
28		A3119 E50 00B	REFLECTION PLATE SEAL B	1	
29		A3185 E50 000	FACE PLATE COVER PILE	1	
30		A3904 E50 000	FRONT PANEL FIXING METAL A	1	
31		SM 5040855 SF	SCREW	1	
32		SL 5030655 SN	SCREW (RIGHT)	1	
33		A1510 E50 000	PRESSER LIFTER	1	
34		021150003-000	PRESSER LIFT SHAFT	1	
35		RE 0400000 K0	E RING	2	

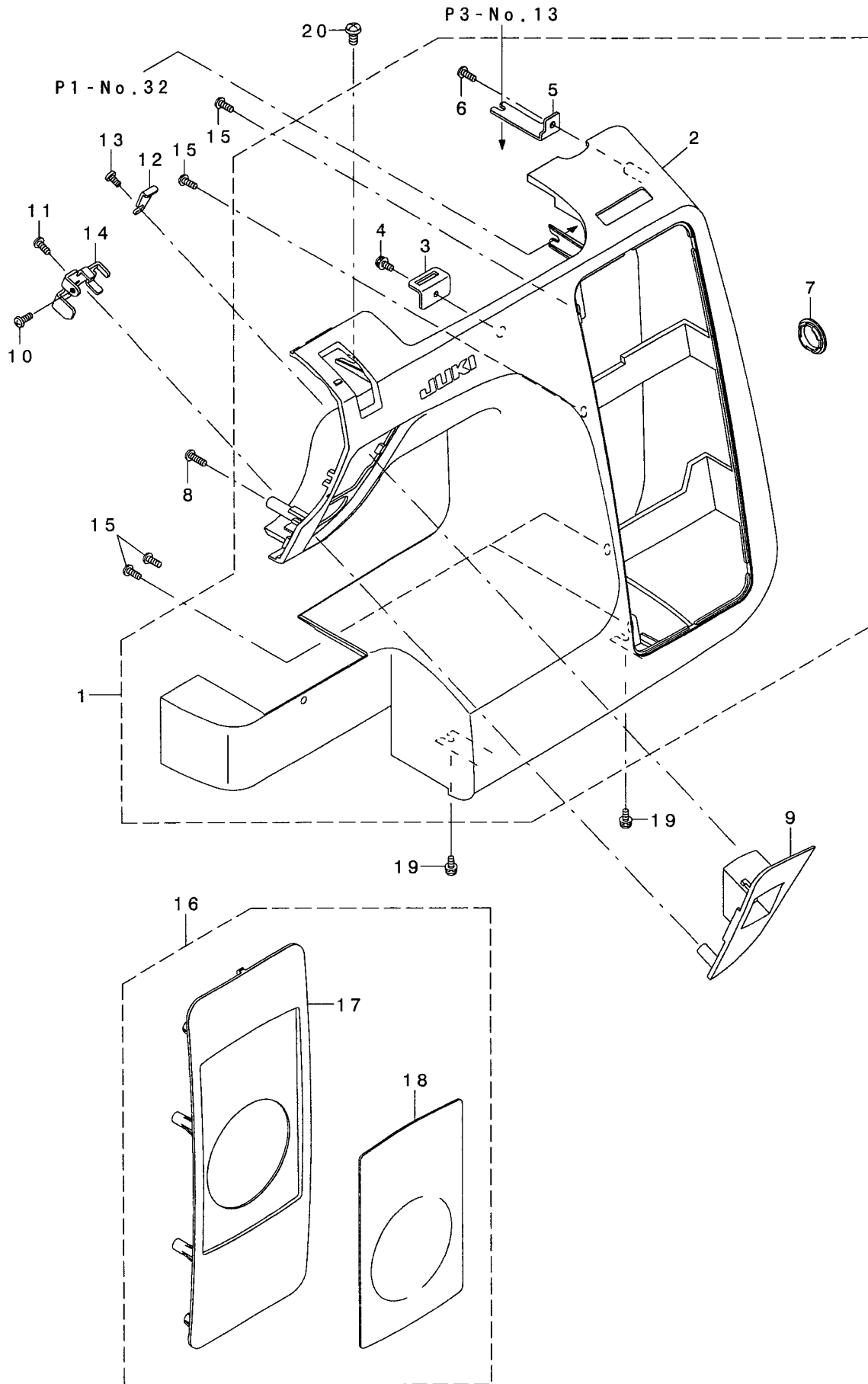
## 2. BH AND BOBBIN WINDER COMPONENTS



NO.	NOTE	PART NO.	PART DESCRIPTION	Qty	NOTE
1		A1409 E50 000	BH SUPPORTING PLATE	1	
2		SM 5030655 SF	SCREW	2	
3		SM 5040855 SF	SCREW	1	
4		A3201 E50 0B0A	BOBBIN WINDER MECHANISM BASE (MAS ASM.)	1	
5	*	A3201 E50 0A0	BOBBIN WINDER MECHANISM BASE (ASM.)	(1)	
6	*	A3204 E50 0A0	BOBBIN WINDER BASE (ASM.)	(1)	
7		050536004-000	RUBBER BAND	(1)	
8	*	A3203 E50 000	STEP SCREW	(1)	
9	*	A3207 008 000	BOBBIN WINDER SPRING	(1)	
10	*	A3205 E50 000	CLUTCH PLATE	(1)	
11	*	A3205 555 A00	NUT	(1)	
12	*	A3206 E50 000A	CLUTCH PLATE SPRING	(1)	
13		SL 5030851 SN	SCREW	1	

PLEASE REFER TO REMARKS OF CONTENTS FOR PARTS MARKED WITH (\*)

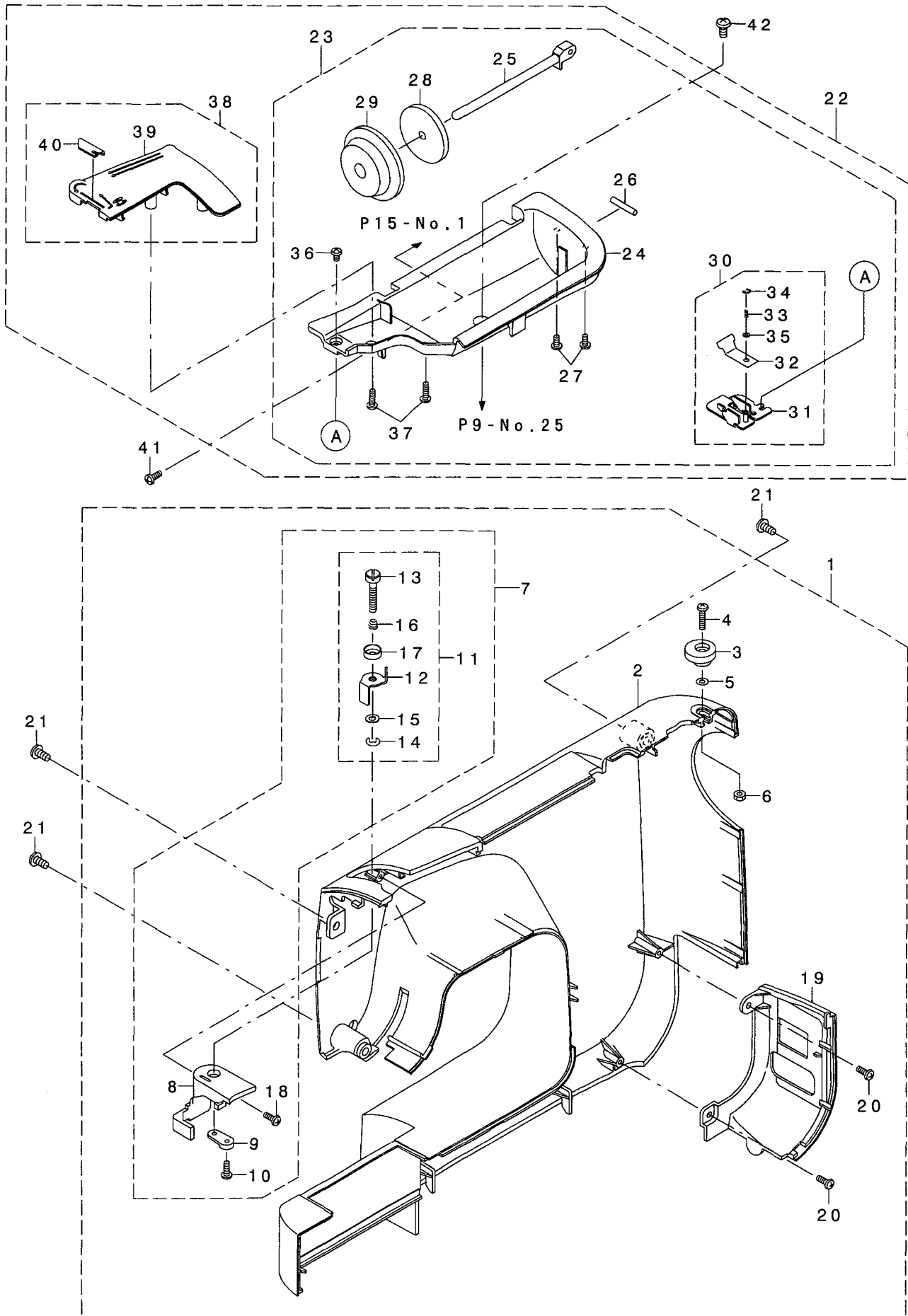
### 3. FRONT PANER AND DISPLAY PWB COMPONENTS



NO.	NOTE	PART NO.	PART DESCRIPTION	Qty	NOTE
1		A3901 50Z 0A0	FRONT PANEL (ASM.)	1	
2		A3901 50Z 000A	FRONT PANEL	(1)	
3		A3918 E50 000	FRONT PANEL SUPPORT PLATE	(1)	
4		ST 5030851 SN	SCREW	(1)	
5		A3910 E50 000	FRONT PANEL FIXING METAL B	(1)	
6		ST 5030851 SN	SCREW	(1)	
7		A3926 50Z 000	CONTROLLER PANEL CAP	(1)	
8		ST 5031051 SN	SCREW (BACK)	1	
9		A4001 30Z 000	OPERATION PANEL 30Z	1	
10		SL 5030531 SF	SCREW (SIDE)	1	
11		ST 5030851 SN	SCREW	1	
12		A4113 50Z 000	OPERATION PANEL SUPPORT PLATE	1	
13		ST 5030651 SN	SCREW	1	
14		A4112 50Z 000	START/STOP PWB RETAINING PLATE	1	
15		ST 5030851 SN	SCREW	4	
16		A3911 30Z 0A0	STITCH SELECTION PANEL 30Z (ASM.)	1	
17		A3911 50Z A00	STITCH SELECTION PANEL 50Z	(1)	
18		A3914 30Z 000	PATTERN SHEET	(1)	
19		SL 5030831 SF	SCREW (LOWER)	2	
20		SM 5040855 SF	SCREW (FRONT)	1	



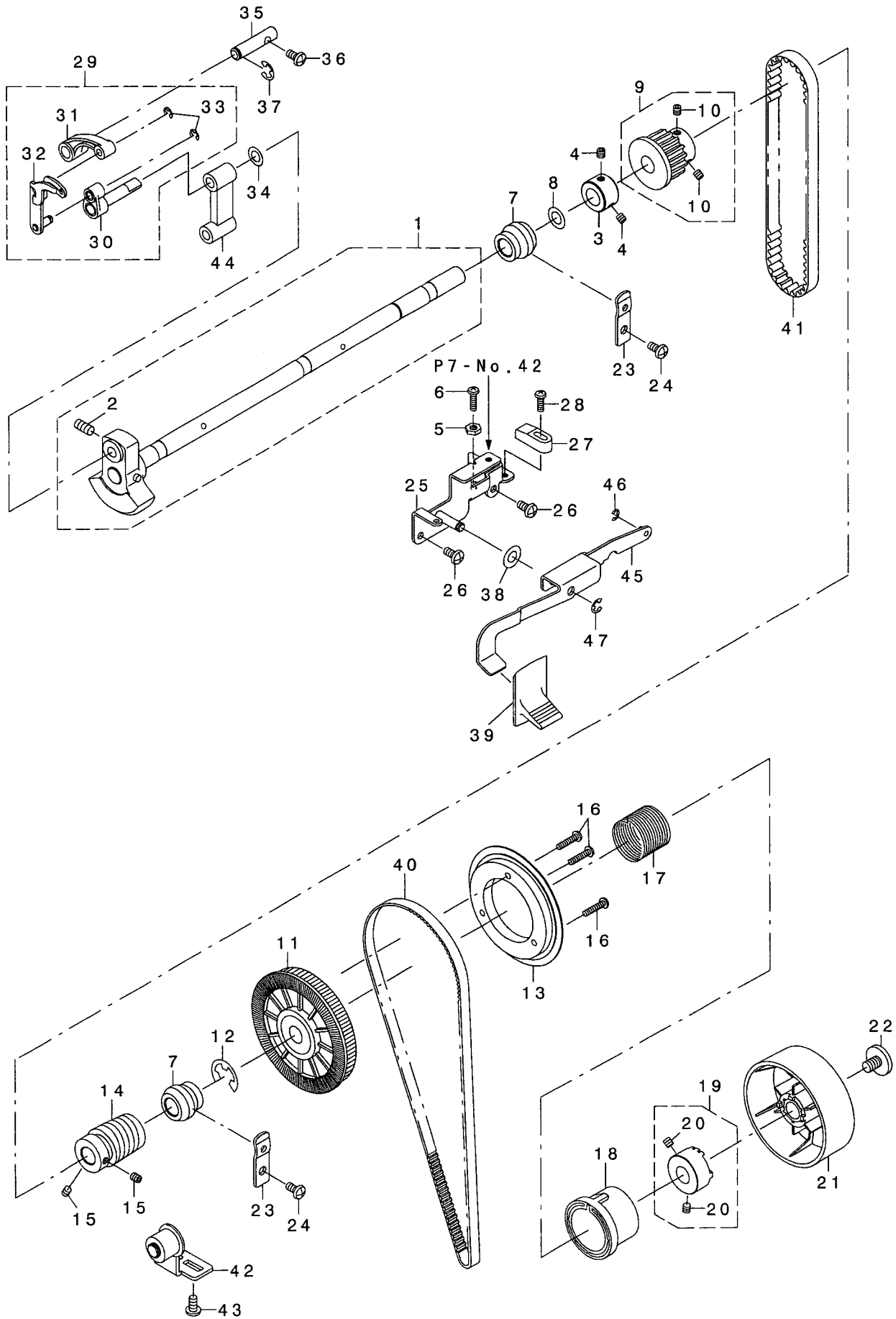
#### 4. REAR PANEL AND THREAD SPOOL COVER COMPONENTS



NO.	NOTE	PART NO.	PART DESCRIPTION	Qty	NOTE
1		A3925 30Z 0A0	REAR PANEL (ASM.)	1	
2		A3925 E50 000A	REAR PANEL	(1)	
3		A1144 E50 000	BOBBIN WINDER ADJUSTING SHAFT	(1)	
4		SM 5031401 SC	SCREW	(1)	
5		WT 0320001 KE	WASHER M3	(1)	
6		NM 6030002 SF	NUT	(1)	
7		A3906 E50 0A0	THREAD GUIDE BASE COVER (ASM.)	(1)	
8		A3906 E50 000	THREAD GUIDE BASE COVER	(1)	
9		A1139 030 Z00	BOBBIN WINDER THREAD GUIDE FITTING BASE	(1)	
10		ST 5030851 SN	SCREW	(1)	
11		A1143 E50 0A0	THREAD GUIDE BASE (ASM.)	(1)	
12	*	A1143 E50 000	THREAD GUIDE BASE	(1)	
13	*	A3235 030 Z00	THREAD GUIDE DISK SHAFT	(1)	
14	*	A3236 880 000	E RING	(1)	
15	*	A3237 880 000	WASHER	(1)	
16	*	A3170 776 000	THREAD GUIDE SPRING	(1)	
17	*	A3233 731 000	THREAD GUIDE DISK	(1)	
18		ST 5030851 SN	SCREW	(1)	
19		A4502 30Z 000	POWER SWITCH COVER	(1)	
20		ST 5030851 SN	SCREW	(2)	
21		SM 5040855 SN	SCREW	3	
22		A1133 E50 0B0	THREAD SPOOL COVER (MAS ASM.)	1	
23		A1133 E50 0A0	THREAD SPOOL COVER (ASM.)	(1)	
24		A1133 E50 000	THREAD SPOOL COVER	(1)	
25		A1136 E50 000	SPOOL PIN	(1)	
26		PH 0300182 C0	SPOOL PIN SHAFT	(1)	
27		ST 5030651 SN	SCREW	(2)	
28		A9116 008 000	FELT	(1)	
29		A1145 E50 000	SPOOL CAP	(1)	
30		A1135 E50 0B0	BASE TENSION FITTING BASE (MAS ASM.)	(1)	
31	*	A1135 E50 0A0	BASE TENSION FITTING BASE (ASM.)	(1)	
32	*	A1136 030 Z00	BASE TENSION FITTING PLATE	(1)	
33	*	A1138 E50 000	BASE TENSION FITTING SPRING	(1)	
34	*	RE 0200000 K0	BASE TENSION FITTING E RING	(1)	
35	*	WP 0260116 RZ	BASE TENSION FITTING SPRING WASHER	(1)	
36		SM 5030555 SC	SCREW	(1)	
37		ST 5031051 SN	SCREW	(2)	
38		A1134 E50 0A0	BASE TENSION COVER (ASM.)	(1)	
39	*	A1134 E50 000	BASE TENSION COVER	(1)	
40	*	A1139 E50 000	BASE TENSION COVER BOBBIN WINDER BASE	(1)	
41		SM 5030855 SN	SCREW (SIDE)	1	
42		SM 5040855 SN	SCREW (UPPER)	1	

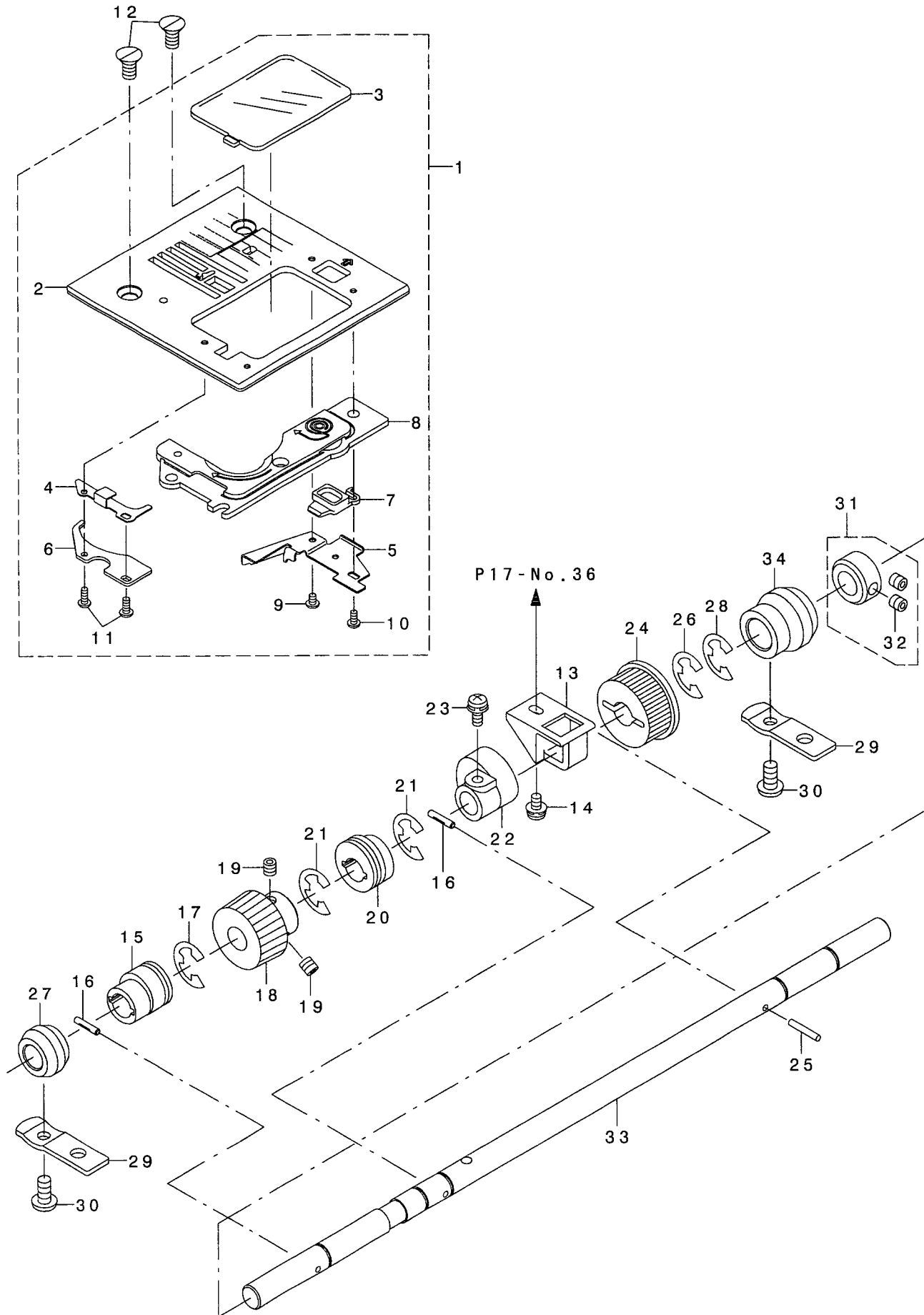
PLEASE REFER TO REMARKS OF CONTENTS FOR PARTS MARKED WITH (\*)

# 5. MAIN SHAFT AND BALANCE COMPONENTS



NO.	NOTE	PART NO.	PART DESCRIPTION	Qty	NOTE
1		A1201 E50 0A0	MAIN SHAFT (ASM.)	1	
2		SM 8051002 TP	SCREW	(1)	
3		021017001-000	MAIN SHAFT COLLAR	1	
4		SM 8040402 TP	SCREW	2	
5		174803004-000	NUT M3	1	
6		SM 5031201 SN	SCREW	1	
7		A1205E60 000	MAIN SHAFT BUSHING (FRONT AND REAR)	2	
8		WP 1020516 RZ	WASHER	1	
9		A1227 031 0A0	MAIN SHAFT PULLEY (ASM.)	1	
10		SM 8040402 TP	SCREW	(2)	
11		A1232 067 000	MOTOR PULLEY	1	
12		RE 0900000 K0	MOTOR PULLEY SNAP RING	1	
13		A1233 E50 000	MOTOR PULLEY LID	1	
14		073236001-000	TAPER WORM	1	
15		310340047-024	SCREW	1	
16		ST 5031251 SF	SCREW	3	
17		A1248 550 000	CLUTCH SPRING	1	
18		020940016-000	CLUTCH SPRING SUPPORT	1	
19		A1243 E50 0A0	HAND WHEEL BUSHING (ASM.)	1	
20		SM 8040402 TP	SCREW	(2)	
21		A1228 E50 000	HAND WHEEL	1	
22		365000051-000	SCREW	1	
23		021112002-000	MAIN SHAFT METAL RETAINING PLATE	2	
24		SM 5040855 SF	SCREW	2	
25		A1301 50Z 0A0	REVERSE LEVER BASE (ASM.)	1	
26		SM 5040855 SF	SCREW	2	
27		A7205 T70 000	MAIN SHAFT SUPPORT	1	
28		SM 5031001 SE	SCREW	1	
29		A1901 067 0A0	BALANCE (ASM.)	1	
30		021116007-000	BALANCE CRANK	(1)	
31		021114000-000	BALANCE SUPPORT	(1)	
32		021113006-000	BALANCE	(1)	
33		RE 0300000 K0	E RING	(2)	
34		WZ 0641500 TH	WASHER	1	
35		A1902 E50 000	BALANCE SUPPORT SHAFT	1	
36		320235127-074	SCREW	1	
37		RE 0500000 K0	E RING	1	
38		160113000-000	WASHER	1	
39		A1305 50Z 000	REVERSE KNOB	1	
40		A7112 067 000A	MOTOR TIMING BELT	1	
41		A7110 E50 000	TIMING BELT	1	
42		A7204 50Z 0A0	IDLER FITTING BASE (ASM.)	1	
43		SM 5040855 SF	SCREW	1	
44		021118004-000	CRANK ROD	1	
45		A1303 50Z 0A0	REVERSE LEVER (ASM.)	1	
46		RE 0300000 K0	E RING	1	
47		RE 0400000 K0	E RING	1	

# 6. TEROAT PLATE AND HOOK DRIVING SHAFT COMPONENTS



NO.	NOTE	PART NO.	PART DESCRIPTION	Qty	NOTE
1		A1109 E50 0A0B	THROAT PLATE (ASM.)	1	
2		A1109 E50 000	THROAT PLATE	(1)	
3		A1110 E50 000	HOOK COVER	(1)	
4		A1111 008 000	HOOK COVER PLATE SPRING	(1)	
5		A1112 E50 000B	HOOK COVER HOLD PLATE (RIGHT)	(1)	
6		A1113 E50 000	BOBBIN CASE STOPPER PLATE (LEFT)	(1)	
7		A1114 E50 000	HOOK COVER RELEASE BUTTON	(1)	
8		A1115 008 000	BOBBIN CASE COVER	(1)	
9		SM 4020201 SF	SCREW	(1)	
10		SM 4020301 SC	SCREW	(1)	
11		SM 4020401 SC	SCREW	(2)	
12		SM 1040800 SL	SCREW	2	
13		A1820 E50 00A	HOOK DRIVING SHAFT SUPPORT A	1	
14		SL 5030631 SF	SCREW	1	
15		A1703 E50 000	VERTICAL FEED CAM	1	
16		A1705 E50 000	VERTICAL FEED CAM FIXING PIN	2	
17		RE 0700000 K0	E RING	2	
18		A1862 E50 000	HOOK DRIVING GEAR	1	
19		SM 8040402 TP	SCREW	2	
20		A1704 E50 000	VERTICAL SUPPORT CAM	1	
21		RE 0700000 K0	E RING	2	
22		041245009-000	HORIZONTAL FEED CAM	1	
23		SL 5030851 SN	SCREW	1	
24		A1807 030 000	HOOK DRIVING SHAFT PULLEY	1	
25		PS 0200122 KH	HOOK DRIVING SHAFT PULLEY PIN	1	
26		RE 0700000 K0	HOOK DRIVING E RING	1	
27		041207008-000	HOOK DRIVING METAL	1	
28		RE 0700000 K0	E RING	1	
29		021112002-000	METAL STOPPER PLATE	2	
30		SM 5040855 SF	SCREW	2	
31		A1203030 0A0	HOOK DRIVING THRUST COLLAR	1	
32		SM 8040402 TP	SCREW	(2)	
33		A1801 E50 000A	HOOK DRIVING SHAFT	1	
34		A1810 E60 000	HOOK DRIVING METAL	1	

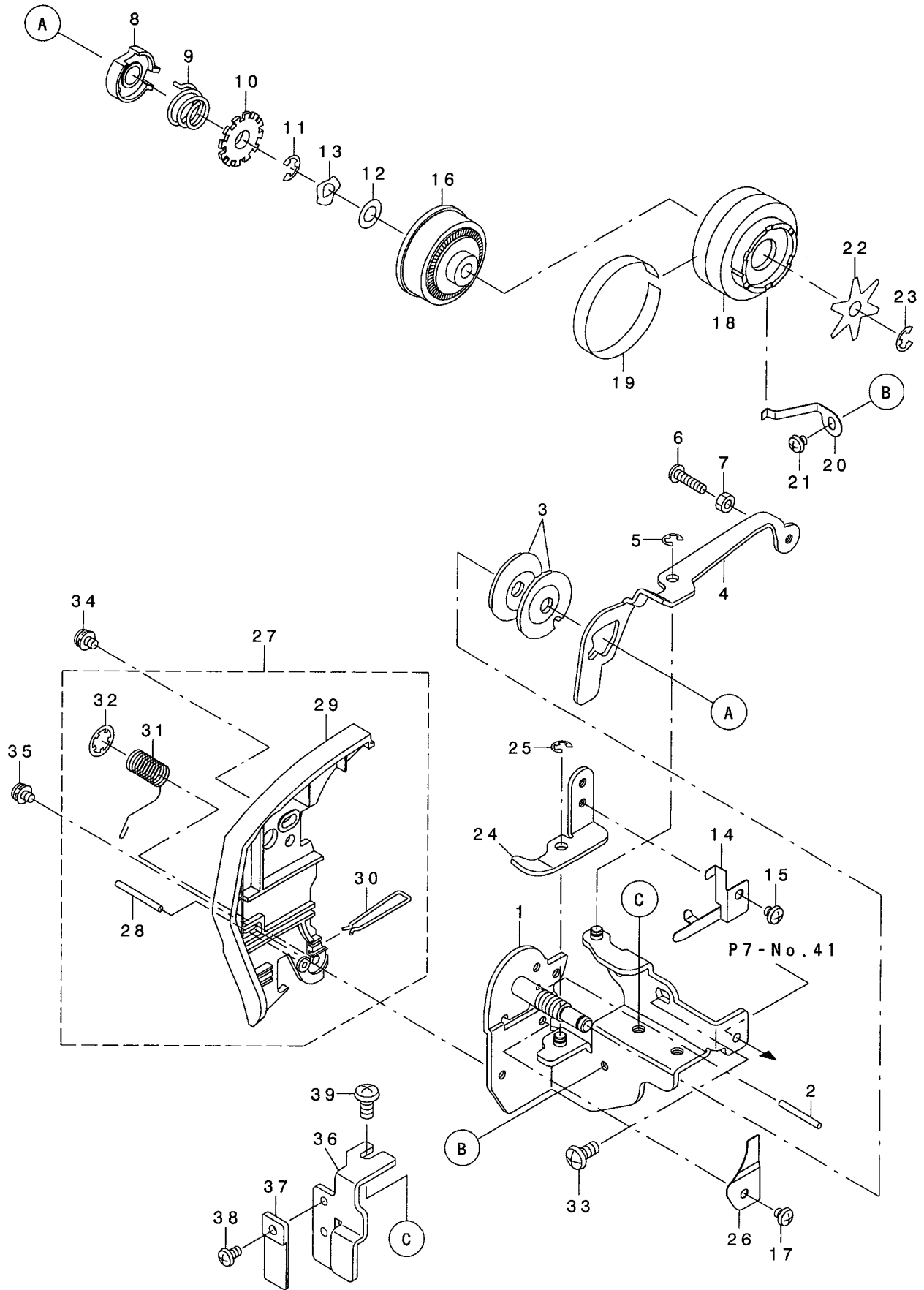


NO.	NOTE	PART NO.	PART DESCRIPTION	Qty	NOTE
1		A1410 50Z 0A0	NEEDLE BAR DRIVER (ASM.)	1	
2		A1401 E50 0A0	NEEDLE BAR (ASM.)	(1)	
3		021147004-000	NEEDLE BAR	(1)	
4		020801001-000	NEEDLE STOPPER	(1)	
5		A1418 E50 000	NEEDLE BAR THREAD RACK	(1)	
6		020804001-000	SCREW	(1)	
7		020802004-000	NEEDLE STOPPER SCREW	(1)	
8		021127005-000	THREADER SHAFT	(1)	
9		A1441 E50 000	THREADER KNOB	(1)	
10	*	170421001-024	PIN	(1)	
11	*	170534005-034	SHAFT PIN (INSIDE)	(1)	
12	*	020972017-000	SHAFT PIN (UPPER)	(1)	
13	*	A1421 067 000	NEEDLE BAR ROCKING BASE	(1)	
14		020929008-000	THREADER GUIDE PULLING SPRING	(1)	
15		A1440 E50 0A0	THREADER HOOK HOLDER (ASM.)	(1)	
16		SM 5030655 SN	SCREW	(1)	
17		NM 6030002 SC	NUT	(1)	
18		A1414 E50 0A0	NEEDLE BAR CONNECTION (ASM.)	(1)	
19		SM 8040302 TP	SCREW	(1)	
20		021123001-000	DRIVER SHAFT	(1)	
21		WZ 0641500 TH	THRUST WASHER	(1)	
22		073169007-000	SELECT GEAR SHAFT COLLAR	(1)	
23		SM 8030402 TP	SCREW	(1)	
24		174804008-000	NUT	(1)	
25		A1492 067 000	DRIVER DIFFERENTIAL ARM	1	
26		A1486 E50 0A0	NEEDLE BAR LATERAL ADJUST PLATE (ASM.)	1	
27		A1460 067 000	GUIDE SPRING	1	
28		SM 8041012 TP	SCREW	1	
29		SM 5040855 SF	SCREW (RIGHT)	1	
30		SM 5030655 SN	SCREW (LEFT)	1	
31		RE 0300000 K0	E RING	1	
32		A1470 50Z 0A0	NEEDLE BAR DRIVING LEVER (ASM.)	1	
33		A1456 008 000A	ECCENTRIC SHAFT	1	
34		SL 5030831 SF	SCREW	1	
35		NM 6040003 SC	NUT	1	
36		RE 0300000 K0	E RING	1	
37		MHA100B1400	NEEDLE #14	1	
38		SM 5030555 SC	SCREW	1	
39		A3116 50C 0A0	FACE PLATE COVER FITTING PLATE (ASM.)	1	
40		A3801 60C 0A0	LAMP HOLDER (ASM.)(230V)	1	
41		A3803 60C 000	BULB (230V)	1	
42		A1508 E50 000	SHIM PLATE	1	
43		A3117 E50 000	FACE PLATE SHIELD COVER	1	
44		073466003-000	PULLING SPRING	1	
45		SM 5030555 SF	SCREW	1	
46		SM 5040855 SF	SCREW	1	
47		A1520 E50 0A0	SNAP BASE (ASM.)	1	
48		A1524 E50 0B0	Z/Z STANDARD PRESSER FOOT (ASM.)	1	
49		A1501 E50 000	PRESSER BAR	1	
50		123010006-074	SCREW	1	
51		021155001-000	PRESSER SPRING SUPPORT BASE (ASM.)	1	
52	*	021153004-000	PRESSER SPRING SUPPORT BASE	(1)	
53	*	021154008-000	ADJUSTING PLATE	(1)	
54		320235061-024	SCREW	(1)	
55		SM 5040855 SF	SCREW	1	
56		021117001-000	PRESSER SPRING	1	
57		A1507 E50 000	PRESSER BAR GUIDE	1	
58		SM 8051002 TP	SCREW	1	
59		021156005-000	PULLING SPRING	1	

PLEASE REFER TO REMARKS OF CONTENTS FOR PARTS MARKED WITH (\*)



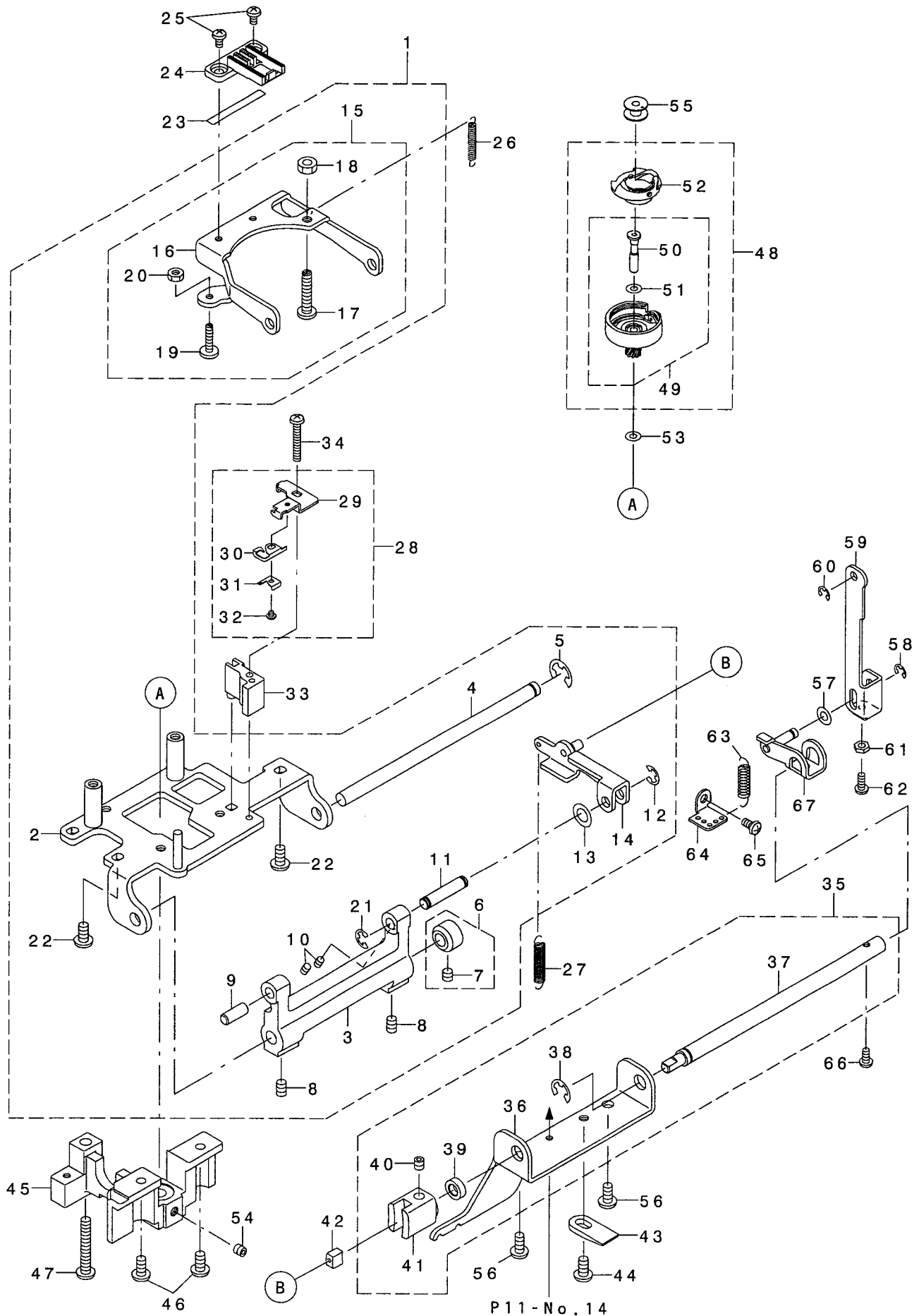
# 8. THREAD TENSION COMPONENTS



NO.	NOTE	PART NO.	PART DESCRIPTION	Qty	NOTE
1		A3180 E50 0A0	FACE PLATE (ASM.)	1	
2		PS 0200182 KR	TENSION DISC GUIDE PIN	1	
3		A3910 634 000B	TENSION DISC	2	
4		A3187 E50 000	THREAD TENSION DISC FLOAT PLATE	1	
5		RE 0300000 K0	E RING	1	
6		SM 5031201 SN	SCREW	1	
7		174803004-000	NUT M3	1	
8		051900002-000	DT DISC PRESSER	1	
9		A3129 E30 000	SPRING	1	
10		051139006-000	ADJUST NUT	1	
11		RE 0400000 K0	E RING	1	
12		171905009-000	PLAIN WASHER	1	
13		160160001-000	WAVED WASHER	1	
14		A3178 E50 000	DISC RELEASE SPRING	1	
15		SM 5030355 SN	SCREW	1	
16		A3168 E50 000	TENSION CAM	1	
17		SM 5030355 SN	SCREW	1	
18		A3195 E50 000	TENSION KNOB	1	
19		A3194 50C 000	THREAD TENSION INDICATION SEAL	1	
20		A3199 E50 000	TENSION CAM POSITIONING PLATE	1	
21		SM 5030355 SN	SCREW	1	
22		A3152 110 000	THREAD TENSION DIAL PRESSER	1	
23		RE 0400000 K0	E RING	1	
24		A3177 E50 000	PRETENSION FLOAT PLATE	1	
25		RE 0300000 K0	E RING	1	
26		A3179 E50 000A	DISC FIXING PLATE	1	
27		A3182 E50 0A0	THREAD GUIDE COVER B (ASM.)	1	
28	*	170414007-024	SP PIN	(1)	
29	*	A3182 E50 000A	THREAD GUIDE COVER B	(1)	
30	*	A3181 E50 000	THREAD TAKE-UP SPRING GUIDE BAR	(1)	
31		A3128 067 000	THREAD TAKE-UP SPRING	(1)	
32		172106007-024	CS SNAP RING	(1)	
33		SM 5040855 SF	SCREW	1	
34		SL 5030531 SF	SCREW (UPPER)	1	
35		SL 5030631 SF	SCREW (LOWER)	1	
36		A1304 50Z 000	REVERSE LEVER GUIDE PLATE	1	
37		A1306 50Z 000	REVERSE LEVER SUPORT	1	
38		SM 5030555 SC	SCREW	1	
39		SM 5040855 SF	SCREW	1	

PLEASE REFER TO REMARKS OF CONTENTS FOR PARTS MARKED WITH (\*)

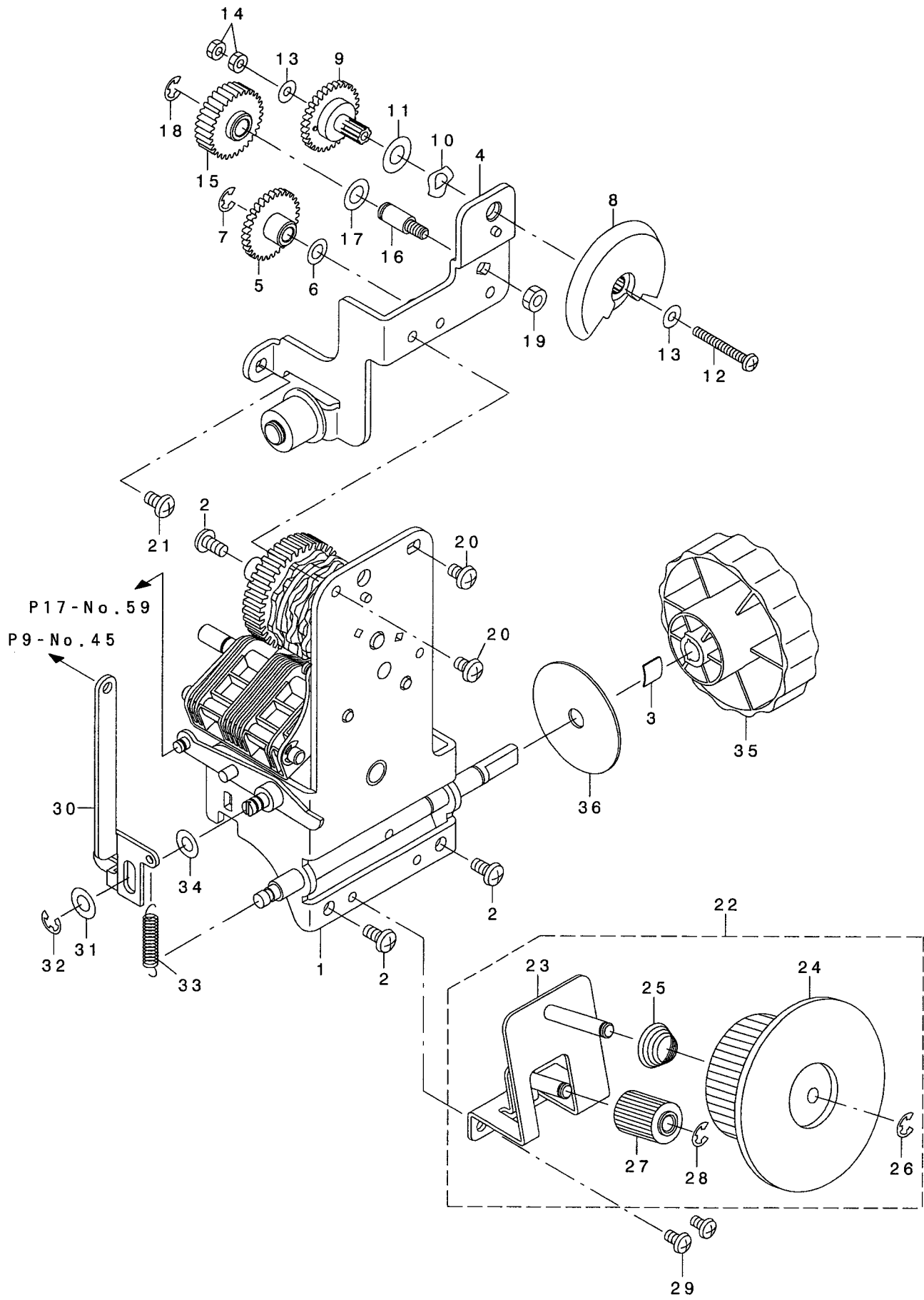
# 9. FEED BASE COMPONENTS



NO.	NOTE	PART NO.	PART DESCRIPTION	Qty	NOTE
1		A1850 E50 0B0	HOOK FITTING BASE (MAS ASM.)	1	
2		A1850 E50 0A0	HOOK FITTING BASE (ASM.)	(1)	
3		041227007-000	FEED ARM	(1)	
4		041228001-000	HORIZONTAL SHAFT	(1)	
5		170105009-024	E RING	(1)	
6		A1601 E50 0A0	Z/Z LEVER COLLAR (ASM.)	(1)	
7		SM 8040402 TP	SCREW	(2)	
8		SM 8040602 TP	SCREW	(2)	
9		041226009-000	FEED BASE SHAFT (LEFT)	(1)	
10		SM 8030402 TP	SCREW	(2)	
11		041225000-000	FEED BASE SHAFT (RIGHT)	(1)	
12		RE 0400000 K0	FEED BASE SHAFT (RIGHT) E RING	(1)	
13		WP 0620216 RZ	THRUST WASHER	(1)	
14		A1614 E50 0A0	HORIZONTAL FEED ARM (ASM.)	(1)	
15		A1602 E50 0A0	FEED BASE (ASM.)	(1)	
16	*	A1602 E50 000	FEED BASE	(1)	
17		A1608 E50 000	VERTICAL FEED ADJUSTING SHAFT	(1)	
18		174804008-000	NUT M4	(1)	
19		A1609 E50 000	VERTICAL FEED ADJUSTING SHAFT (LEFT)	(1)	
20		NM 6030002 SD	NUT	(1)	
21		RE 0400000 K0	E RING	(1)	
22		SM 5040855 SF	SCREW	(2)	
23		A1639 E50 000	FEED DOG SPACER	1	
24		A1635 E50 000	FEED DOG	1	
25		SM 4030501 SF	SCREW	2	
26		041224006-000	PULLING SPRING	1	
27		A1616 E50 000	HORIZONTAL FEED ARM PULLING SPRING	1	
28		A1835 E50 0A0A	BOBBIN CASE STOPPER BASE (ASM.)	1	
29	*	A1835 067 000	BOBBIN CASE STOPPER BASE	(1)	
30	*	A1836 E50 000	SPRING	(1)	
31	*	A1829 E50 000	BOBBIN CASE STOPPER SPRING SUPPORT	(1)	
32	*	SM 4020201 SF	SCREW	(1)	
33		A1853 067 000	SPACER	1	
34		SM 5032001 SF	SCREW	1	
35		A1625 50Z 0A0	FEED FITTING PLATE (ASM.)	1	
36		A1625 E50 000	FEED FITTING PLATE	(1)	
37		A1621 50Z 000	FEED REGULATOR SHAFT	(1)	
38		RE 0500000 K0	FEED REGULATOR SHAFT E RING	(1)	
39		A1624 E50 000	FEED REGULATOR SHAFT COLLAR	(1)	
40		SM 8040402 TP	SCREW	(1)	
41		A1622 030 Z00	FEED REGULATOR	(1)	
42		A1623 700 000	FEED REGULATOR BLOCK	1	
43		A1820 E50 000	HOOK DRIVING SHAFT SUPPORT	1	
44		SM 5040855 SF	SCREW	1	
45	*	A1853 E50 000	HOOK BASE	1	
46		SM 5040855 SF	SCREW (FRONT)	2	
47		SM 5042755 SN	SCREW (REAR)	1	
48		A1830 E80 0D0B	HOOK (MAS ASM.)	1	
49		A1830 E80 0C0	ROTATING HOOK (MAS ASM.)	(1)	
50	*	A1809 031 0A0	HOOK SHAFT (ASM.)	(1)	
51	*	WP 0620516 RZ	WASHER	(1)	
52		A1837 E50 0A0C	BOBBIN CASE HOLDER (ASM.)	(1)	
53		WP 0620516 RZ	HOOK WASHER	1	
54		SM 8040402 TP	SCREW	1	
55		001141000-000	TRANSPARENT BOBBIN	1	
56		SM 5040855 SF	SCREW	2	
57		WP 0410216 RZ	WASHER	1	
58		RE 0300000 K0	E RING	1	
59		073458006-000	S CONNECTING ROD	1	
60		RE 0300000 K0	E RING	1	
61		174803004-000	NUT M3	1	
62		363000071-034	SCREW	1	
63		031203007-000	SPRING	1	
64		071014002-000	SPRING HOLDER PLATE	1	
65		320235061-074	SCRWE	1	
66		SM 5030655 SP	SCREW	1	
67		041236008-000	FEED WORKING ARM	1	

PLEASE REFER TO REMARKS OF CONTENTS FOR PARTS MARKED WITH (\*)

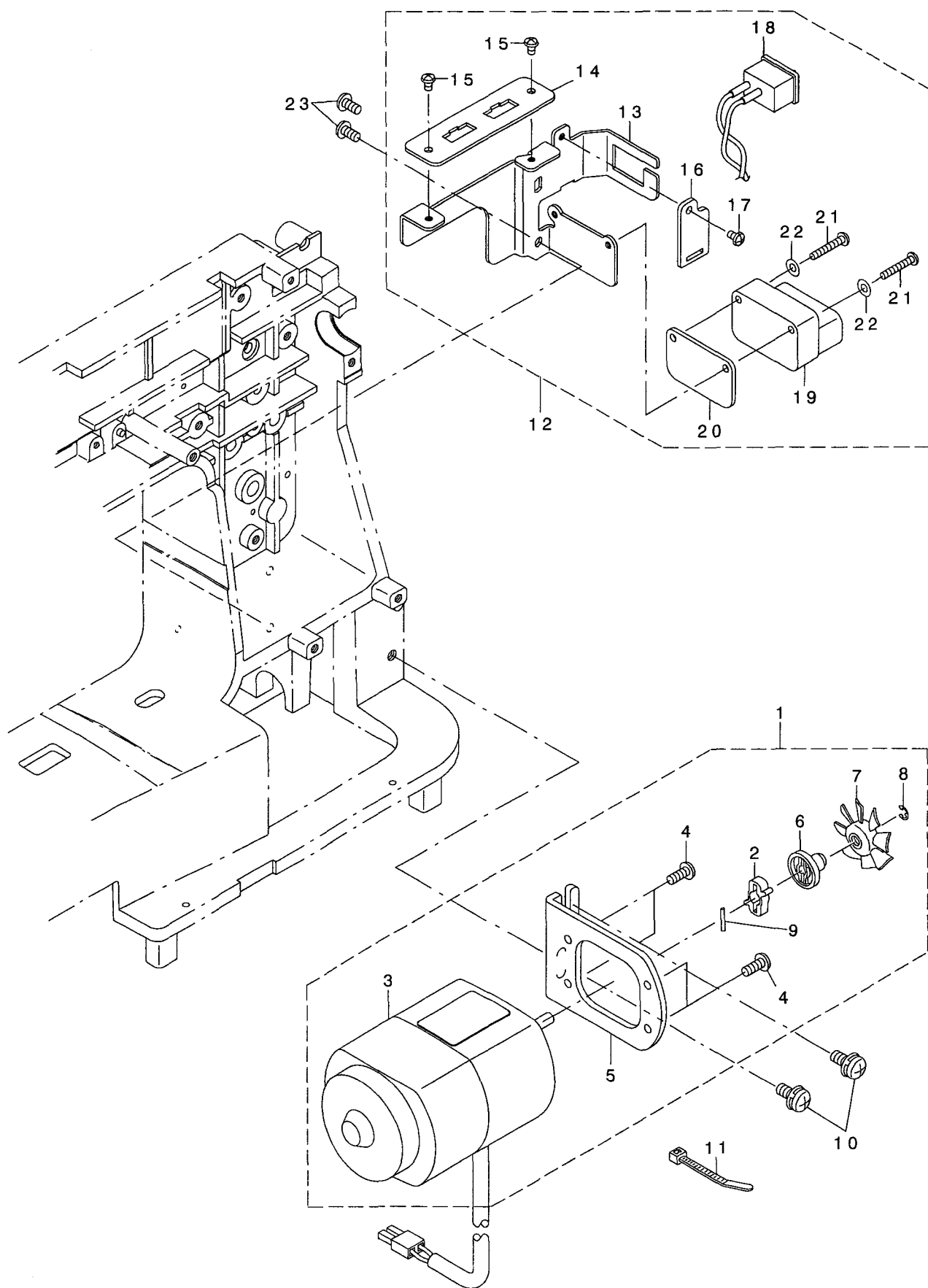
# 10. MECHANISM BASE COMPONENTS



NO.	NOTE	PART NO.	PART DESCRIPTION	Qty	NOTE
1		A2101 30Z 0A0	FITTING PLATE (MAS ASM.)	1	
2		SM 5040855 SF	SCREW	3	
3		051796007-000	SPRING	1	
4		A1670 50Z 0A0	FEED KNOB FITTING PLATE (ASM.)	1	
5		A1671 50Z 000	INTERMEDIATE GEAR	1	
6		WP 0520316 RZ	WASHER	1	
7		RE 0400000 K0	E RING	1	
8		A1674 50Z 000	FEED KNOB	1	
9		A1673 50Z 000	FEED KNOB GEAR	1	
10		172706001-024	WAVED WASHER	1	
11		160113000-000	WASHER	1	
12		SM 5032555 SE	SCREW	1	
13		160015008-034	WASHER	2	
14		NM 6030002 SF	NUT	2	
15		A1676 50Z 000	INTERMEDIATE ADJUSTING GEAR	1	
16		A1675 50Z 000	INTERMEDIATE ADJUSTING GEAR SHAFT	1	
17		WP 0620316 RZ	WASHER	1	
18		RE 0400000 K0	E RING	1	
19		NM 6040002 SF	NUT	1	
20		SM 5040655 SF	SCREW	2	
21		SM 4040701 SF	SCREW	1	
22		A3932 50Z 0B0	GEAR BASE (MAS ASM.)	1	
23	*	A3932 50Z 0A0	GEAR BASE (ASM.)	(1)	
24		A3934 30Z 000	GEAR 30Z	(1)	
25	*	073327000-000	GEAR SPRING	(1)	
26	*	RE 0400000 K0	E RING	(1)	
27	*	073422001-000	INTERMEDIATE GEAR	(1)	
28	*	RE 0400000 K0	E RING	(1)	
29		320235061-074	SCREW	2	
30		031196000-000	REVERSE ADJUSTING	1	
31		160162009-000	THRUST WASHER	1	
32		RE 0400000 K0	E RING	1	
33		031202003-000	REVERSE PULLING SPRING	1	
34		171905009-034	WASHER	1	
35		A3935 50Z 000	DIAL KNOB	1	
36		A2120 60C 000	SEFETY PLATE	1	

PLEASE REFER TO REMARKS OF CONTENTS FOR PARTS MARKED WITH (\*)

# 11. AXIS DRIVE MOTOR AND POWER SOURCE BASE COMPONENTS



NO.	NOTE	PART NO.	PART DESCRIPTION	Qty	NOTE
1		A7100 30Z XB0	MOTOR (MAS ASM.)(230V)	1	
2	*	A7100 009 00C	MOTOR PULLEY RUBBER	(1)	
3	*	A7100 30Z XA0	MOTOR (ASM.)(230V)	(1)	
4		SM 5041055 SN	SCREW	(4)	
5	*	A7101 60C 000	MOTOR BRACKET	(1)	
6	*	A7100 T70 00A	MOTOR SHAFT PULLEY	(1)	
7	*	A7100 030 00B	MOTOR SHAFT PULLEY FLANGE	(1)	
8	*	RE 0300000 K0	E RING	(1)	
9	*	PS 0200142 KH	MOTOR SHAFT PULLFY PIN	(1)	
10		SL 4051291 SF	SCREW	2	
11		A4078 550 00B	BAND	1	
12		A4501 30Z 0A0	POW SW FITTING (ASM.)(230V)	1	
13		A4501 30Z 000	POW SW FITTING	(1)	
14		A4504 30Z 000	RELAY CONNECTOR FITTING PLATE	(1)	
15		SM 5030555 SF	SCREW	(2)	
16		A4505 30Z 000	POW SW INSULATION PLATE	(1)	
17		SM 5030555 SF	SCREW	(1)	
18		A4032 E50 000	POW SW	(1)	
19		A7105 60C 000	POW PLUG SOCKET	(1)	
20		A4509 60C 000	PLUG SOCKET INSULATION PLATE	(1)	
21		SM 4031801 SF	SCREW	(2)	
22		WP 0371016 SF	WASHER	(2)	
23		SM 5040855 SF	SCREW	2	

PLEASE REFER TO REMARKS OF CONTENTS FOR PARTS MARKED WITH (\*)





NO.	NOTE	PART NO.	PART DESCRIPTION	Qty	NOTE
1		A8401 E50 0A0	HARD CASE (ASM.)	1	
2		J0231 550 A00	POLYETHYLENE BAG	1	
3		J0221 E50 0A0A	STYROFOAM (OUTSIDE) (ASM.)	1	
4		J0221 E50 A0C	STYROFOAM (INSIDE)	1	
5		J0221 E50 A0E	STYROFOAM (LOWER)	1	
6		J0221 E50 A0B	AUXILIARY BED PACKING	1	
7		A9101 30Z X0C	CARTON BOX	1	
8		A9250 30Z 000	INSTRUCTION MANUAL	1	
9		00102205-000	INSTRUCTION MANUAL BAG	1	
10		J0233 500 A00	VPI PAPER	1	
11		A7103 T50 100	CONTROLLER CUSHION	1	
12		000421371-000	BH PRESSER FOOT (ASM.)	1	
13		000253039-000	SCREWDRIVER	1	
14		000286197-000	NEEDLE SET (#11,#14)	1	
15		001141000-000	TRANSPARENT BOBBIN	1	
16		A9131 990 000	SEAM RIPPER	1	
17		A9141 E50 0A0	OVERCASTING FOOT (ASM.)	1	
18		000421498-000	BLINDSTITCH PRESSER FOOT	1	
19		000421401-000	ZIPPER FOOT	1	
20		A1150 980 0A0	SPOOL CAP	1	
21		A9101 550 000	ACCESSORY BAG	1	
22		A6401 60C 0A0	FOOT CONTROLLER (ASM.)	1	
23		A9190 500 0A0	MANUAL BH PRESSER FOOT	1	
24		A9201 880 0A0A	DECORATIVE STITCH FOOT (ASM.)	1	
25		A5133 E50 0C0	QUILTING ATTACHMENT (MAS ASM.)	1	
26		001142003-000	QUILTING ATTACHMENT	(1)	
27		A9145 030 ZB0	THROAT PLATE COVER	(1)	
28		000421504-000	STRAIGHT STITCH PRESSER FOOT	1	
29		A9134 550 000	RULER	1	
30		A9150 363 0B0	EVEN FEED FOOT	1	
31		A9133 700 0AA	INVISIBLE ZIPPER FOOT (ASM.)	1	
32		000421061-000	ROLLED HEMMING FOOT	1	

**JUKI®**

**JUKI CORPORATION**

HOME APPLIANCE H.Q.

8-2-1, KOKURYO-CHO, CHOFU-SHI

TOKYO 182-8655, JAPAN

PHONE : (81)3-3480-5034

Facsimile : (81)3-3480-5037

Copyright © 2004 JUKI CORPORATION  
All rights reserved throughout the world.

29366101