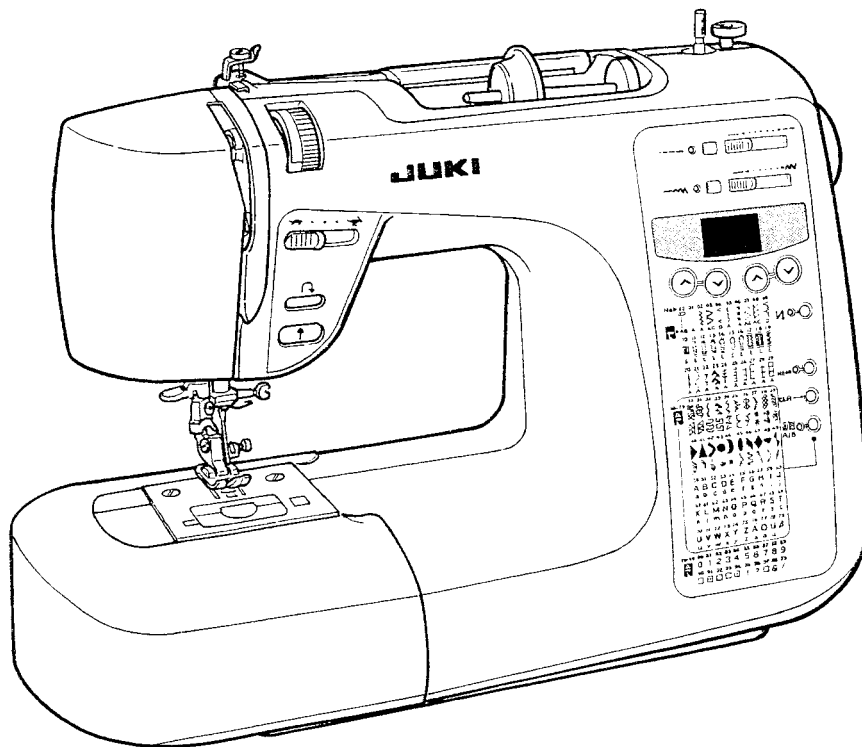


COMPUTER SEWING MACHINE

HZL-E80**PARTS LIST**

CONTENTS

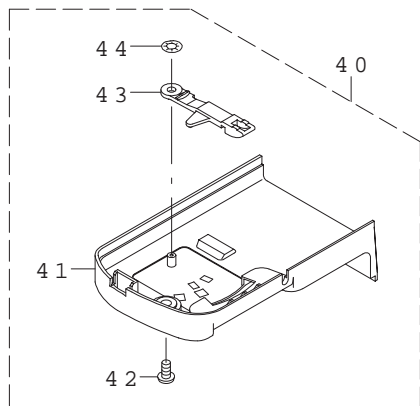
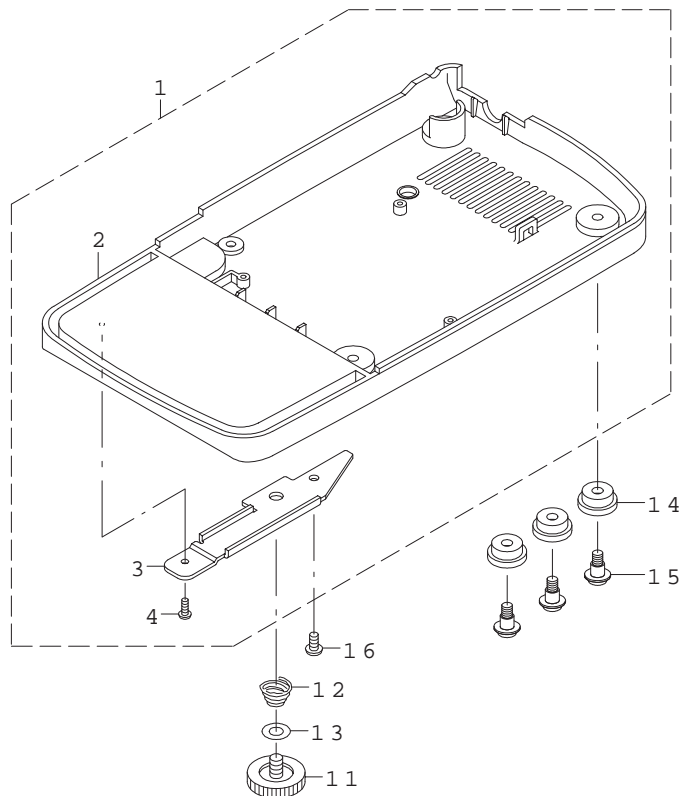
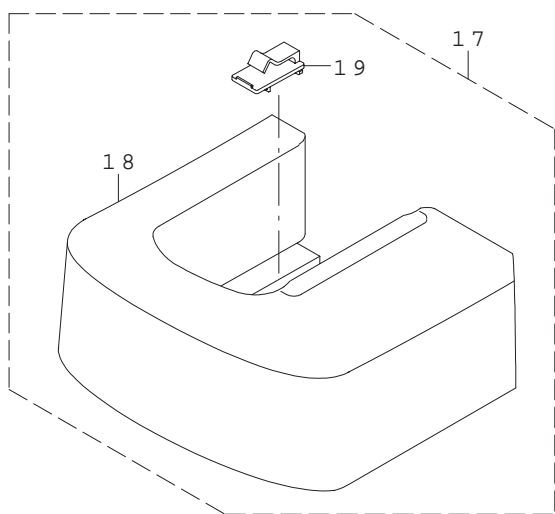
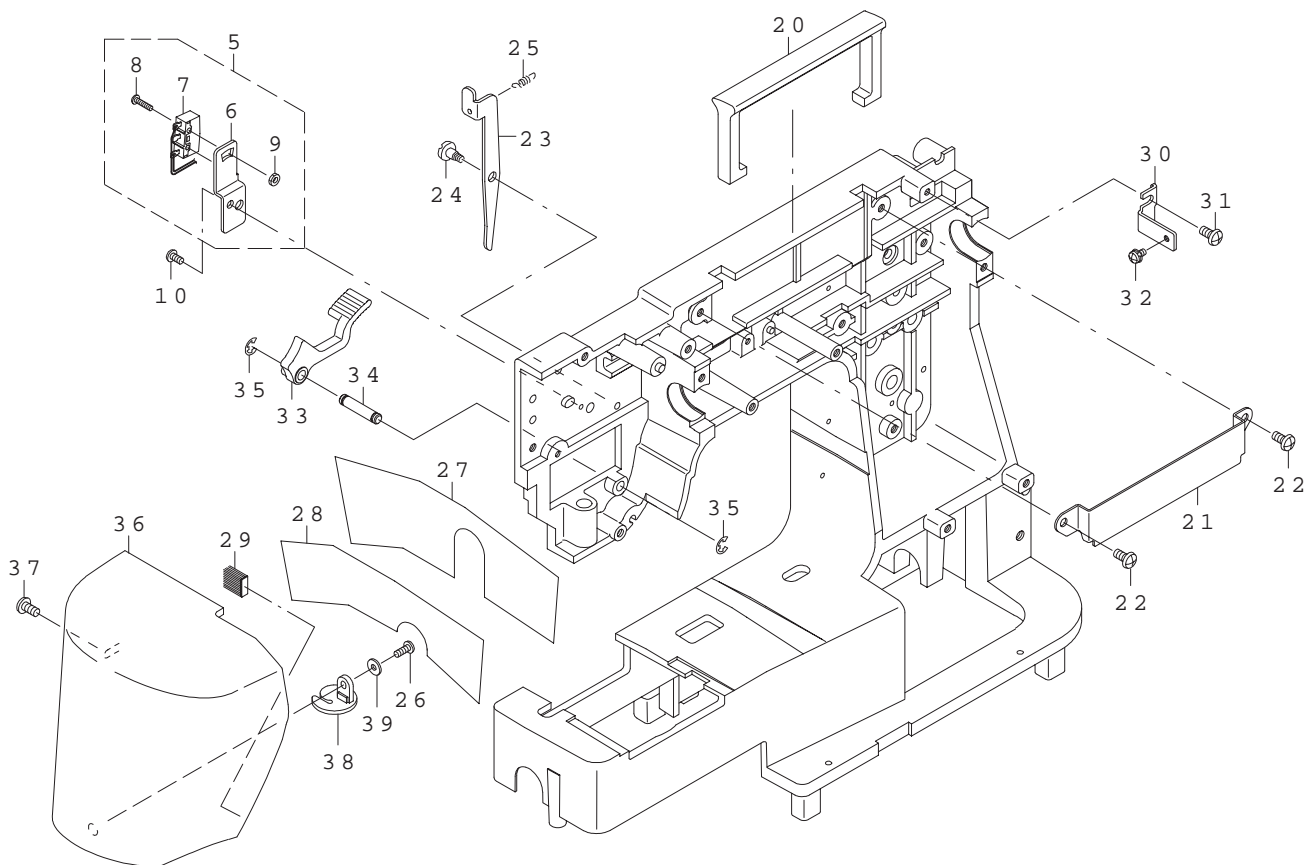
1. COVER AND PRESSER LIFTER COMPONENTS	1
2. BH AND BOBBIN WINDER COMPONENTS	3
3. FRONT PANEL AND DISPLAY PWB	5
4. REAR PANEL AND THREAD SPOOL COVER	7
5. MAIN SHAFT AND BALANCE COMPONENTS	9
6. THROAT PLATE AND HOOK DRIVING SHAFT COMPONENTS	11
7. NEEDLE BAR, PRESSER BAR AND LAMP COMPONENTS	13
8. THREAD TENSION COMPONENTS	15
9. FEED BASE COMPONENTS	17
10. NEEDLE THROWING STM AND FEED STM COMPONENTS	19
11. AXIS DRIVE MOTOR AND POWER SOURCE BASE COMPONENTS	21
12. PACKING MATERIAL, ACCESSORIES PARTS	23
AND OPTIONAL PARTS COMPONENTS	

(Remarks)

The part which has an asterisk (*) before its part number is not separately available as a spare part so that the accuracy in assembling and smoothness in component investigation are assured.

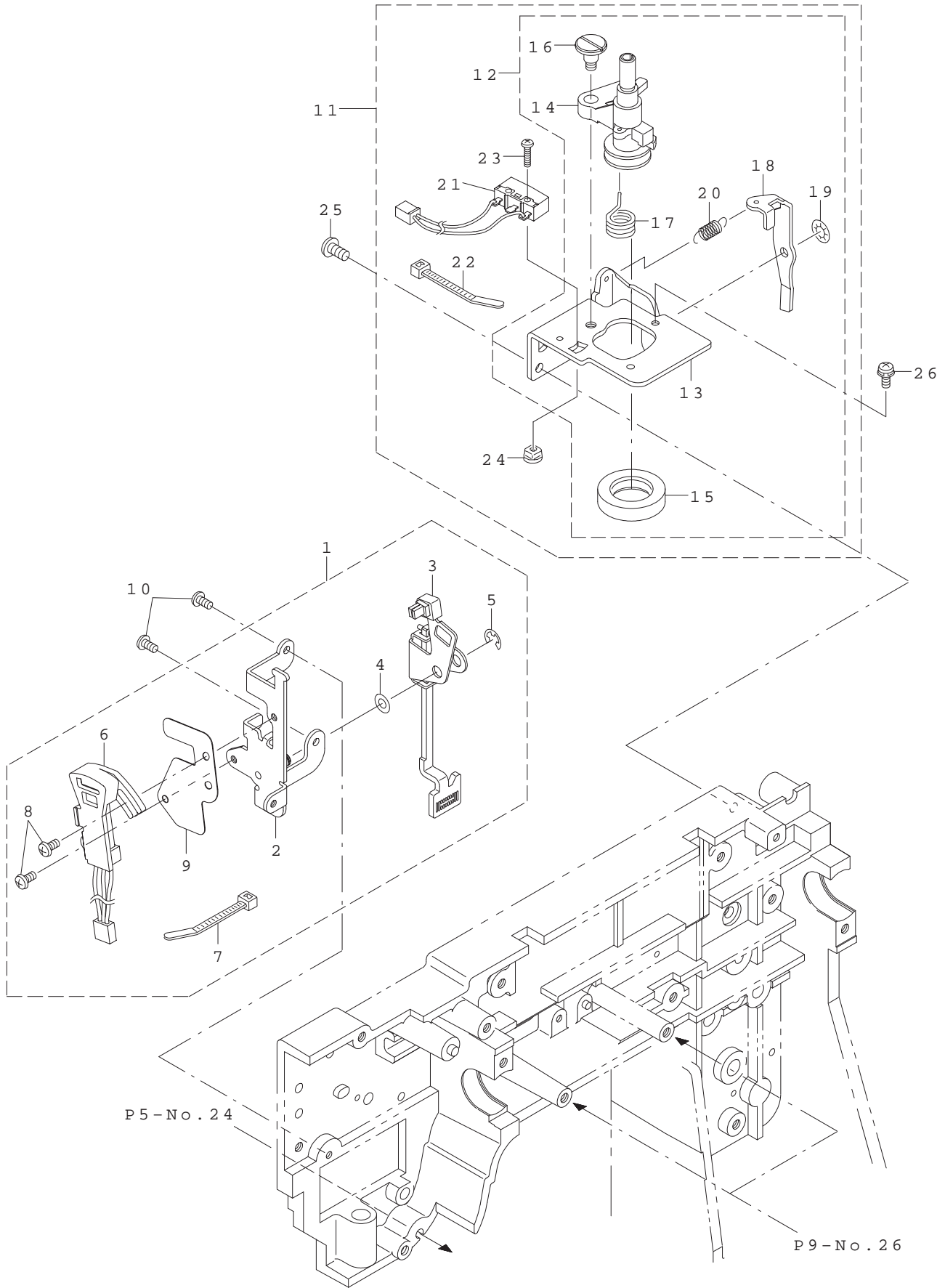
Consequently, please place your order using the part number of assembly containing the part.

1. COVER AND PRESSER LIFTER COMPONENTS



NO.	NOTE	PART NO.	PART DESCRIPTION	Qty	NOTE
1		A116020Z0A0	BASE PLATE (ASM.)	1	
2		A1160E50000	BASE PLATE	(1)	
3		A1161E50000	BASE PLATE REINFORCING PLATE	(1)	
4		ST5030851SN	SCREW	(1)	
5		A315450C0A0	PRESSER LIFTER SW FIXING PLATE (ASM.)	1	
6		A3154E50000	PRESSER LIFTER SW FIXING PLATE	(1)	
7		A315550C0A0	PRESSER LIFTER SW (ASM.)	(1)	
8		SM4831001SF	SCREW	(1)	
9		A5013009000	NUT	(1)	
10		SM5030655SN	SCREW	1	
11		A1158067000	HEIGHT ADJUSTING SCREW	1	
12		A1159770000	HEIGHT ADJUSTING SPRING	1	
13		160018009-034	HEIGHT ADJUSTING SPRING WASHER	1	
14		A1161980000	RUBBER WASHER	3	
15		A1171030000	SCREW	3	
16		SM5040855SN	SCREW	1	
17		A1162E500A0	AUXILIARY BED ASM.	1	
18		A1162E50000	AUXILIARY BED	(1)	
19		A1164E50000	AUXILIARY BED FIXING SPRING	(1)	
20		A1120E50000	HANDLE	1	
21		A1124E50000	HANDLE RETAINING PLATE	1	
22		SM5040855SF	SCREW	2	
23		051893005-000	THREAD RELEASE	1	
24		353500135-024	STEP-SCREW	1	
25		040678002-000	PULLING-SPRING	1	
26		ST5030851SN	SCREW	1	
27		A3119E5000A	REFLECTION PLATE SEAL A	1	
28		A3119E5000B	REFLECTION PLATE SEAL B	1	
29		A3185E50000	FACE PLATE COVER PILE	1	
30		A3904E50000	FRONT PANEL FIXING METAL A	1	
31		SM5040855SF	SCREW	1	
32		SL5030655SN	SCREW (RIGHT)	1	
33		A1510E80000	PRESSER LIFTER	1	
34		021150003-000	PRESSER LIFT SHAFT	1	
35		RE0400000KR	E-RING	2	
36		A3115E50000	FACE PLATE	1	
37		SM5040855SN	SCREW	1	
38		A31200310A0	FACE PLATE THREAD CUTTER EDGE (ASM.)	1	
39		WP0330816SF	WASHER	1	
40		A1106E800A0	FREE ARM COVER (ASM.)	1	
41		A1106E80000	FREE ARM COVER	(1)	
42		SM5040855SN	SCREW	(1)	
43		A1107E80000	DROP FEED KNOB	(1)	
44		A3205555A00	DROP FEED KNOB NUT	(1)	

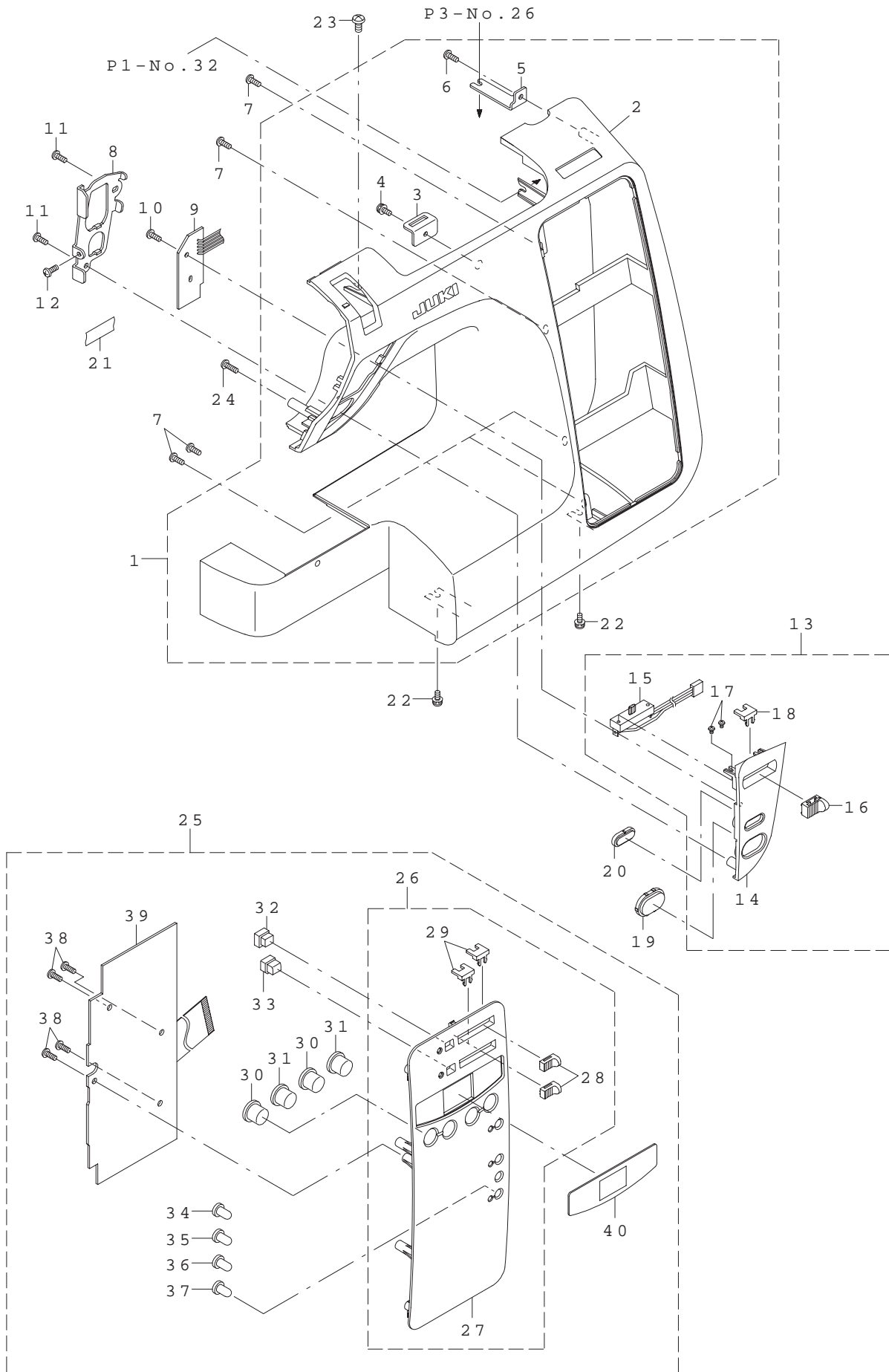
2. BH AND BOBBIN WINDER COMPONENTS



NO.	NOTE	PART NO.	PART DESCRIPTION	Qty	NOTE
1		A1409E800B0	BH SUPPORTING PLATE (MAS ASM.)	1	
2		A1409E500A0	BH SUPPORTING PLATE (ASM.)	(1)	
3		A2332E800A0	BH CHANGE-OVER PLATE (ASM.)	(1)	
4		WP0521016RZ	WASHER	(1)	
5		RE0400000KR	E-RING	(1)	
6		A2350E500A0	BH SW BASE (ASM.)	(1)	
7		A407855000B	BH LEAD WIRE BAND	(1)	
8		SL5030631SF	SCREW	(2)	
9		A2350009000	BH SW BASE SAFETY SHEET	(1)	
10		SM5030655SF	SCREW	2	
11		A3201E500C0	BOBBIN WINDER MECHANISM BASE (MAS ASM.)	1	
12		A3201E500B0	BOBBIN WINDER MECHANISM BASE (MAS ASM.)	(1)	
13	*	A3201E500A0	BOBBIN WINDER MECHANISM BASE (ASM.)	(1)	
14	*	A3204E500A0	BOBBIN WINDER BASE (ASM.)	(1)	
15		050536004-000	RUBBER BAND	(1)	
16	*	A3203E50000	STEP-SCREW	(1)	
17	*	A3207008000	BOBBIN WINDER SPRING	(1)	
18	*	A3205E50000	CLUTCH PLATE	(1)	
19	*	A3205555A00	NUT	(1)	
20	*	A3206E50000	CLUTCH PLATE SPRING	(1)	
21		A3226E500A0	BOBBIN WINDER SW (ASM.)	(1)	
22		A407855000B	LEAD WIRE BAND	(1)	
23		SM4831001SF	SCREW	(1)	
24		A5013009000	NUT	(1)	
25		SM5040855SF	SCREW	1	
26		SL5030851SN	SCREW	1	

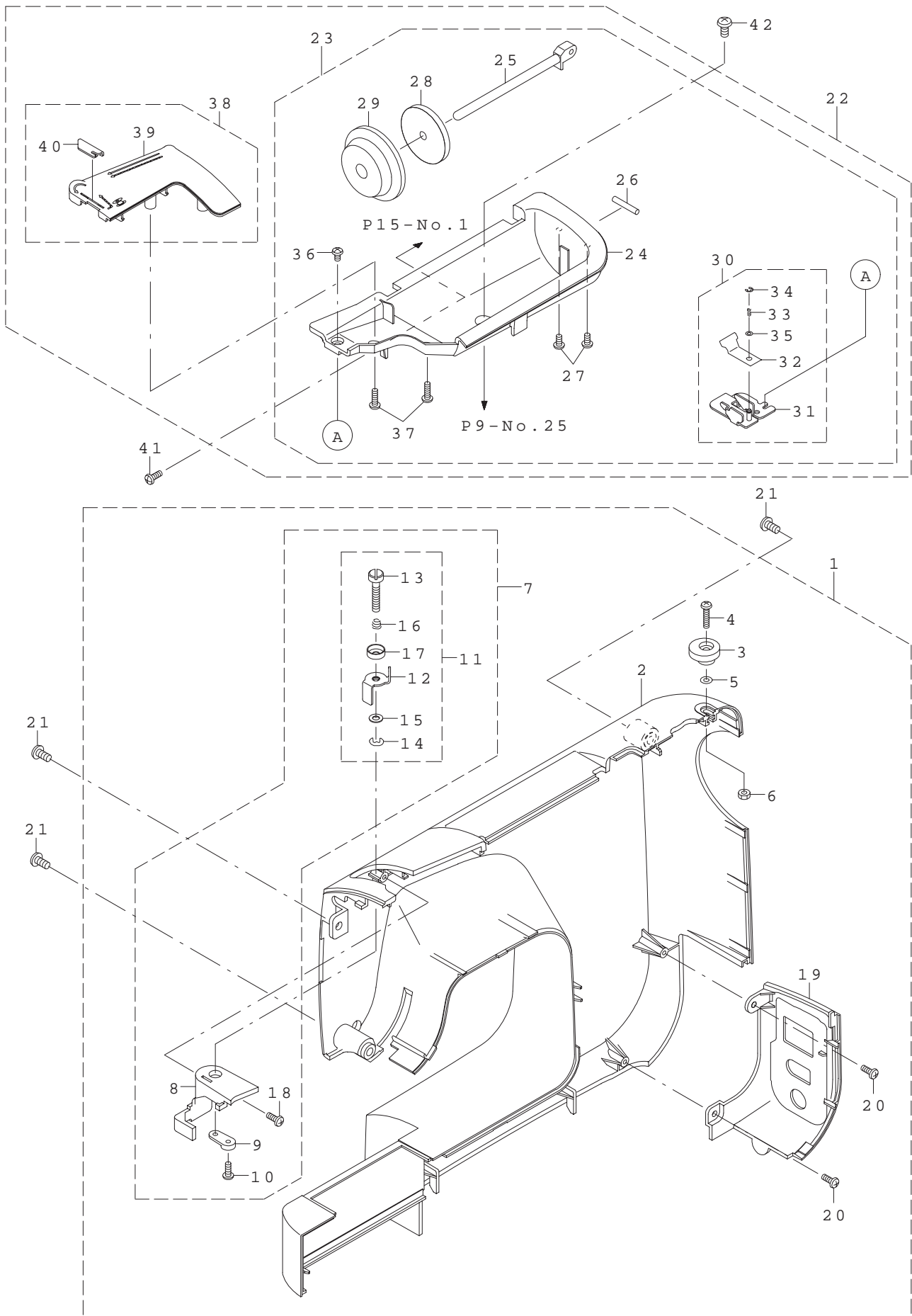
PLEASE REFER TO REMARKS OF CONTENTS FOR PARTS MARKED WITH (*)

3. FRONT PANEL AND DISPLAY PWB



NO.	NOTE	PART NO.	PART DESCRIPTION	Qty	NOTE
1		A3901E500A0	FRONT PANEL (ASM.)	1	
2		A3901E50000	FRONT PANEL	(1)	
3		A3918E50000	FRONT PANEL SUPPORT PLATE	(1)	
4		SL5030851SN	SCREW	(1)	
5		A3910E50000	FRONT PANEL FIXING METAL B	(1)	
6		ST5030851SN	SCREW	(1)	
7		ST5030851SN	SCREW	4	
8		A4112E50000	START/STOP PWB RETAINING PLATE	1	
9		A4006E800A0	SWITCH PWB (ASM.)	1	
10		ST5030851SN	SCREW	1	
11		ST5030851SN	SCREW	2	
12		SL5030531SF	SCREW (SIDE)	1	
13		A4001E800A0	OPERATION PANEL (ASM.)	1	
14		A4001E80A00	OPERATION PANEL	(1)	
15		A4508E500A0	SLIDE VOLUME (ASM.)	(1)	
16		A4509E50000	SLIDE VOLUME KNOB	(1)	
17		SM4020301SC	SCREW	(2)	
18		A1146E50000	VOLUME CONNECTING PLATE	(1)	
19		A4005E50000	START/STOP BUTTON	1	
20		A4007E50000	REVERSE BUTTON	1	
21		A3922980000	SWITCH LEAD WIRE TAPE	1	
22		SL5030831SF	SCREW (LOWER)	2	
23		SM5040855SF	SCREW (FRONT)	1	
24		ST5031051SN	SCREW (BACK)	1	
25		A3911E800B0	STITCH SELECTION PANEL E80 (MAS ASM.)	1	
26		A3911E800A0	STITCH SELECTION PANEL E80 (ASM.)	(1)	
27		A3911E80A00	STITCH SELECTION PANEL E80	(1)	
28		A1148E50000	MANUAL REGULATION KNOB	(2)	
29		A1146E50000	VOLUME CONNECTING PLATE	(2)	
30		A3902E80A00	PATTERN SELECTION BUTTON (UPPER SHIFT)	(2)	
31		A3902E80B00	PATTERN SELECTION BUTTON (LOWER SHIFT)	(2)	
32		A1147E50000	MANUAL TRANSFER BUTTON	(1)	
33		A1147E80000	MANUAL TRANSFER BUTTON	(1)	
34		A3902E55000	LOCK STITCH BUTTON	(1)	
35		A3902E55000	MEMORY BUTTON	(1)	
36		A3909E80000	CLEAR BUTTON	(1)	
37		A3907E80000	SHIFT BUTTON	(1)	
38		ST5030851SN	SCREW	(4)	
39		A3905E800A0	DISPLAY PWB (ASM.)	(1)	
40		A3914E80A00	PATTERN DISPLAY LED WINDOW	(1)	

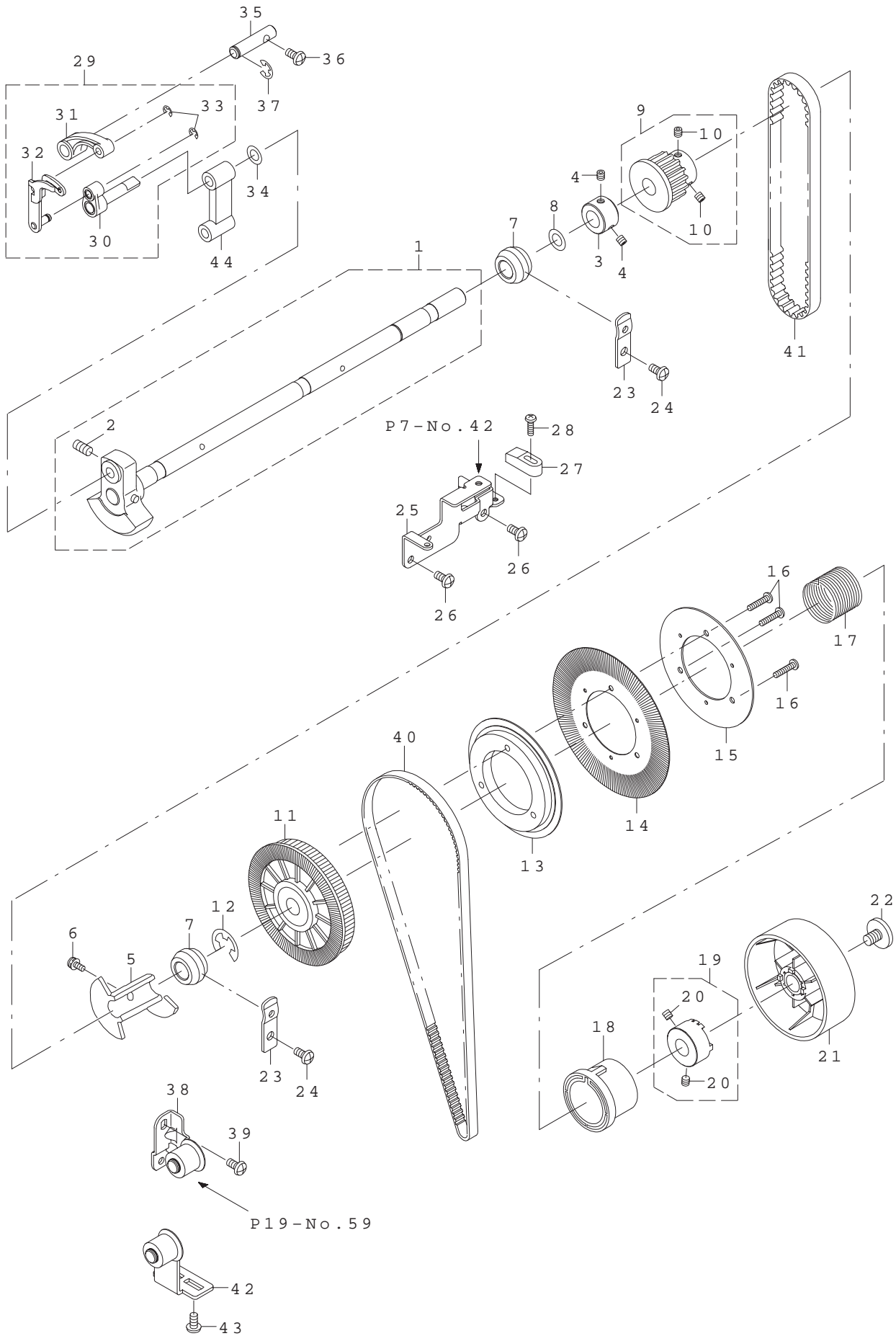
4. REAR PANEL AND THREAD SPOOLCOVER



NO.	NOTE	PART NO.	PART DESCRIPTION	Qty	NOTE
1		A392550C0A0	REAR PANEL (ASM.)	1	
2		A3925E50000A	REAR PANEL	(1)	
3		A1144E50000	BOBBIN WINDER ADJUSTING SHAFT	(1)	
4		SM5031401SC	SCREW	(1)	
5		WT0320001KE	WASHER M3	(1)	
6		NM6030002SF	NUT	(1)	
7		A3906E500A0	THREAD GUIDE BASE COVER (ASM.)	(1)	
8		A3906E50000	THREAD GUIDE BASE COVER	(1)	
9		A1139030Z00	BOBBIN WINDER THREAD GUIDE FITTING BASE	(1)	
10		ST5030851SN	SCREW	(1)	
11		A1143E500A0	THREAD GUIDE BASE (ASM.)	(1)	
12	*	A1143E50000	THREAD GUIDE BASE	(1)	
13	*	A3235030Z00	THREAD GUIDE DISK SHAFT	(1)	
14	*	A3236880000	E-RING	(1)	
15	*	A3237880000	WASHER	(1)	
16	*	A3170776000	THREAD GUIDE SPRING	(1)	
17	*	A3233731000	THREAD GUIDE DISK	(1)	
18		ST5030851SN	SCREW	(1)	
19		A450250C000	POWER SWITCH COVER	(1)	
20		ST5030851SN	SCREW	(2)	
21		SM5040855SN	SCREW	3	
22		A1133E500B0	THREAD SPOOL COVER (MAS ASM.)	1	
23		A1133E500A0	THREAD SPOOL COVER (ASM.)	(1)	
24		A1133E50000	THREAD SPOOL COVER	(1)	
25		A1136E50000	SPOOL PIN	(1)	
26		PH0300182C0	SPOOL PIN SHAFT	(1)	
27		ST5030651SN	SCREW	(2)	
28		A9116008000	FELT	(1)	
29		A1145E50000	SPOOL CAP	(1)	
30		A1135E500B0	BASE TENSION FITTING BASE (MAS ASM.)	(1)	
31	*	A1135E500A0	BASE TENSION FITTING BASE (ASM.)	(1)	
32	*	A1136030Z00	BASE TENSION FITTING PLATE	(1)	
33	*	A1138E50000	BASE TENSION FITTING SPRING	(1)	
34	*	RE0200000KR	BASE TENSION FITTING E-RING	(1)	
35	*	WP0260116RZ	BASE TENSION FITTING SPRING WASHER	(1)	
36		SM5030555SC	SCREW	(1)	
37		ST5031051SN	SCREW	(2)	
38		A1134E500A0	BASE TENSION COVER (ASM.)	(1)	
39		A1134E50000	BASE TENSION COVER	(1)	
40		A1139E50000	BASE TENSION COVER BOBBIN WINDER BASE	(1)	
41		SM5030855SN	SCREW (SIDE)	1	
42		SM5040855SN	SCREW (UPPER)	1	

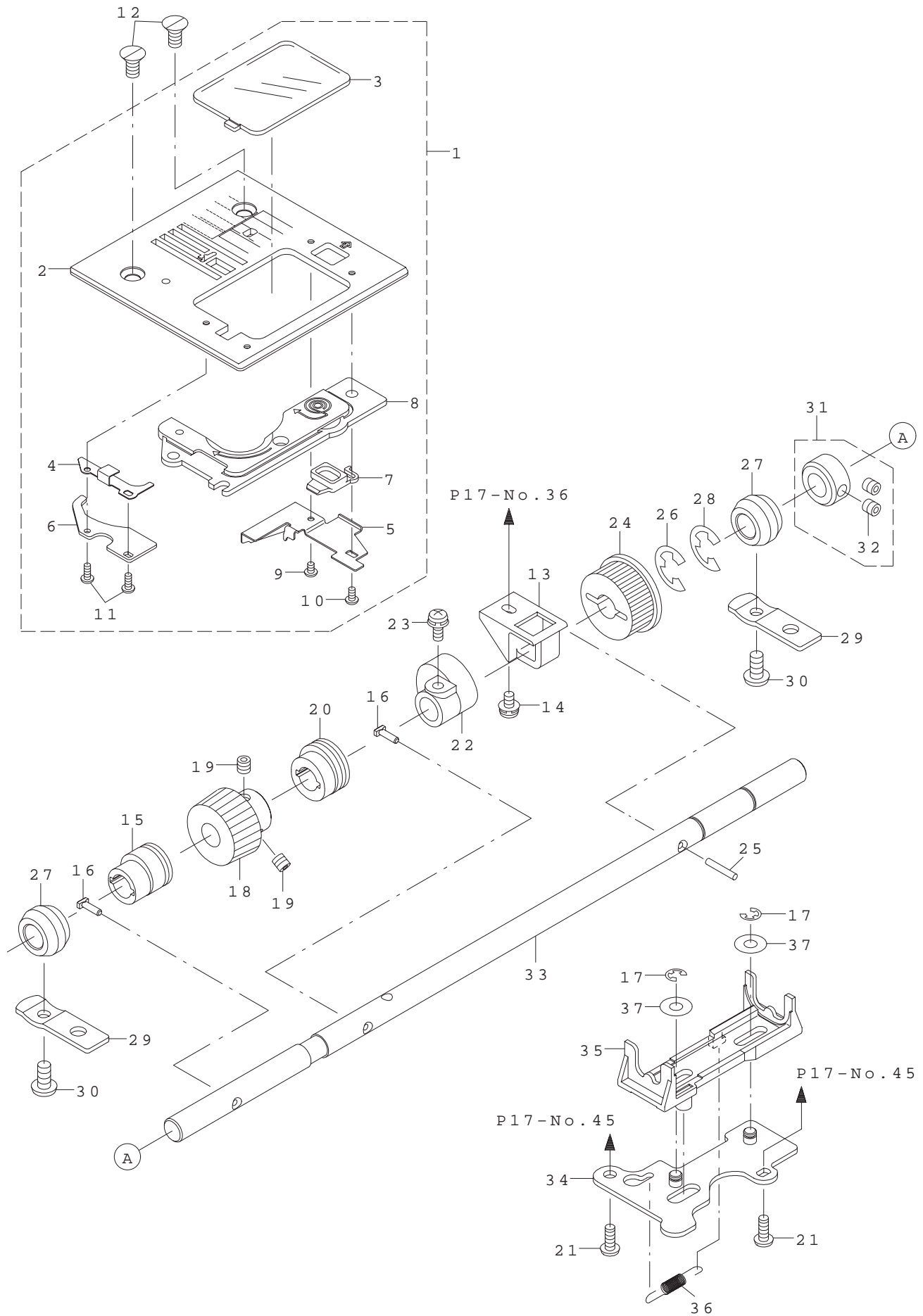
PLEASE REFER TO REMARKS OF CONTENTS FOR PARTS MARKED WITH (*)

5. MAIN SHAFT AND BALANCE COMPONENTS



NO.	NOTE	PART NO.	PART DESCRIPTION	Qty	NOTE
1		A1201E500A0	MAIN SHAFT (ASM.)	1	
2		SM8051002TP	SCREW	(1)	
3		021017001-000	MAIN SHAFT COLLAR	1	
4		SM8040402TP	SCREW	2	
5		A1204T70000	MAIN SHAFT DETECTOR SHIELD PLATE	1	
6		SL5030851SN	SCREW	1	
7		021111009-000	MAIN SHAFT BUSHING (FRONT AND REAR)	2	
8		WP1020516RZ	WASHER	1	
9		A12270310A0	MAIN SHAFT PULLEY (ASM.)	1	
10		SM8040402TP	SCREW	(2)	
11		A1232067000	MOTOR PULLEY	1	
12		RE0900000KR	MOTOR PULLEY SNAP RING	1	
13		A1233E50000	MOTOR PULLEY LID	1	
14		A7121E50000	MP DETECTOR SHIELD PLATE	1	
15		A7122E50000	MP DETECTOR SHIELD PLATE PRESSER PLATE	1	
16		ST5031451SF	SCREW	3	
17		A1248550000	CLUTCH SPRING	1	
18		020940016-000	CLUTCH SPRING SUPPORT	1	
19		A1243E500A0	HAND WHEEL BUSHING (ASM.)	1	
20		SM8040402TP	SCREW	(2)	
21		A1228E50000	HAND WHEEL	1	
22		365000051-000	SCREW	1	
23		021112002-000	MAIN SHAFT METAL RETAINING PLATE	2	
24		SM5040855SF	SCREW	2	
25		A1301E50000	REVERSE LEVER BASE	1	
26		SM5040855SF	SCREW	2	
27		A7205T70000	MAIN SHAFT SUPPORT	1	
28		SM5031001SE	SCREW	1	
29		A19010670A0	BALANCE (ASM.)	1	
30		021116007-000	BALANCE CRANK	(1)	
31		021114000-000	BALANCE SUPPORT	(1)	
32		021113006-000	BALANCE	(1)	
33		RE0300000KR	E RING	(2)	
34		WZ0641500TH	WASHER	1	
35		A1902E50000	BALANCE SUPPORT SHAFT	1	
36		320235127-074	SCREW	1	
37		RE0500000KR	E-RING	1	
38		A7205E500A0	IDLER FIXING BASE (ASM.)	1	
39		SM5040855SF	SCREW	1	
40		A7112067000A	MOTOR TIMING BELT	1	
41		A7110E50000	TIMING BELT	1	
42		A7204E500A0	IDLER FITTING BASE (ASM.)	1	
43		SM5040855SF	SCREW	1	
44		021118004-000	CRANK ROD	1	

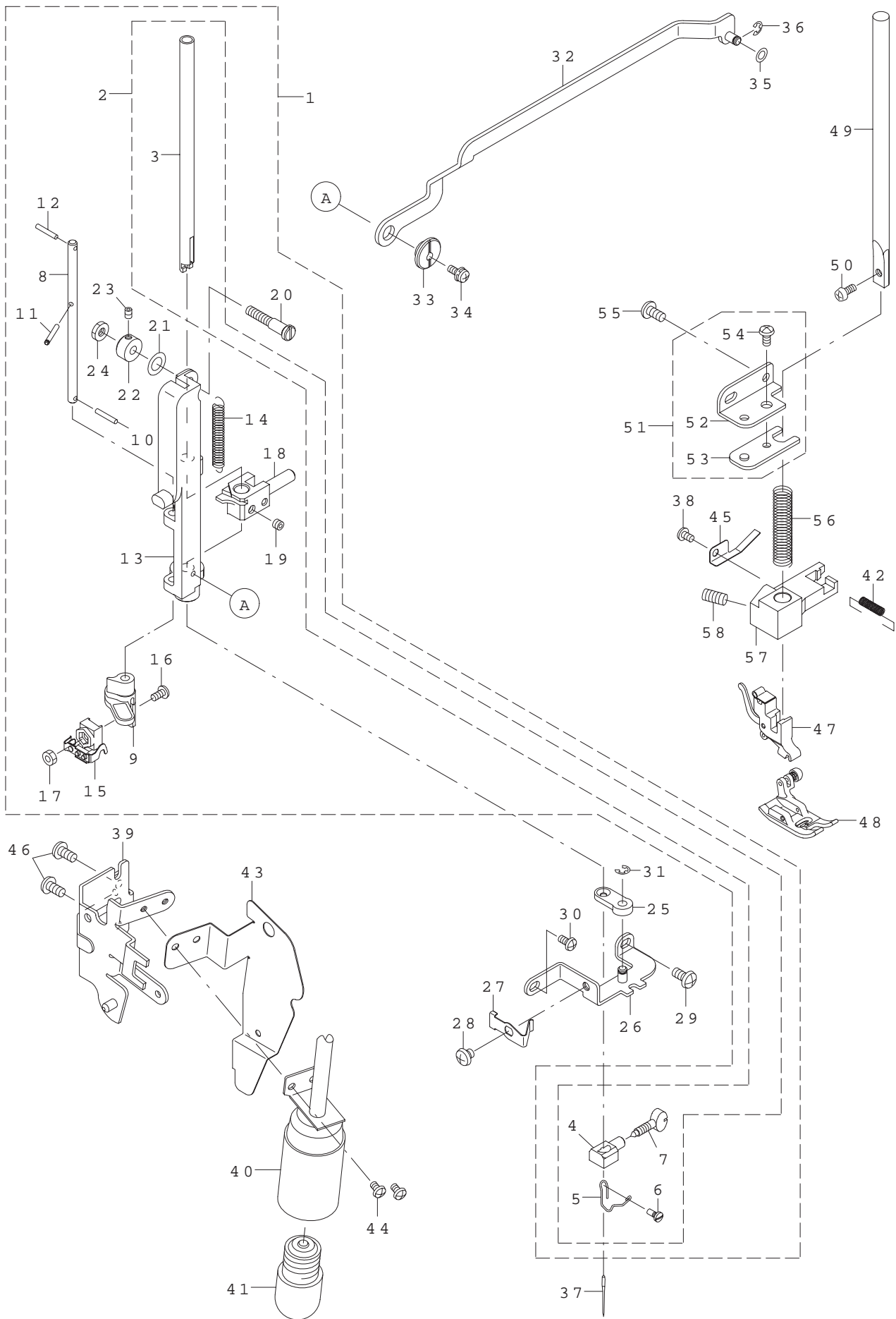
6. THROAT PLATE AND HOOK DRIVING SHAFT COMPONENTS



NO.	NOTE	PART NO.	PART DESCRIPTION	Qty	NOTE
1		A1109E800A0	THROAT PLATE (ASM.)	1	
2		A1109E80000	THROAT PLATE	(1)	
3		A1110E50000	HOOK COVER	(1)	
4	*	A1111008000	HOOK COVER PLATE SPRING	(1)	
5	*	A1112E50000B	HOOK COVER HOLD PLATE (RIGHT)	(1)	
6	*	A1113E50000	BOBBIN CASE STOPPER PLATE (LEFT)	(1)	
7	*	A1114E50000	HOOK COVER RELEASE BUTTON	(1)	
8		A1115008000	BOBBIN CASE COVER	(1)	
9		SM4020201SF	SCREW	(1)	
10		SM4020301SC	SCREW	(1)	
11		SM4020401SC	SCREW	(2)	
12		SM1040800SL	SCREW	2	
13		A1820E5000A	HOOK DRIVING SHAFT SUPPORT A	1	
14		SL5030631SF	SCREW	1	
15		A1703E50000	VERTICAL FEED CAM	1	
16		A1706E80000	VERTICAL FEED CAM FIXING PIN	2	
17		RE0300000KR	E-RING	2	
18		A1862E50000	HOOK DRIVING GEAR	1	
19		SM8040402TP	SCREW	2	
20		A1704E50000	VERTICAL SUPPORT CAM	1	
21		SM5030855SN	SCREW	2	
22		A1604E50000	HORIZONTAL FEED CAM	1	
23		SL5030851SN	SCREW	1	
24		A1807030000	HOOK DRIVING SHAFT PULLEY	1	
25		PS0200122KH	HOOK DRIVING SHAFT PULLEY PIN	1	
26		RE0700000KR	HOOK DRIVING E-RING	1	
27		041207008-000	HOOK DRIVING METAL	2	
28		RE0700000KR	E-RING	1	
29		021112002-000	METAL STOPPER PLATE	2	
30		SM5040855SF	SCREW	2	
31		A12030300A0	HOOK DRIVING SHAFT	1	
32		SM8040402TP	SCREW	(2)	
33		A1801E80000	HOOK DRIVING SHAFT	1	
34		A1863E800A0	DF FITTING BASE (ASM.)	1	
35		A1860E80000	DF WOKING BODY	1	
36		A1861E80000	DF WOKING BODY SPRING	1	
37		WP0410116RZ	WASHER	2	

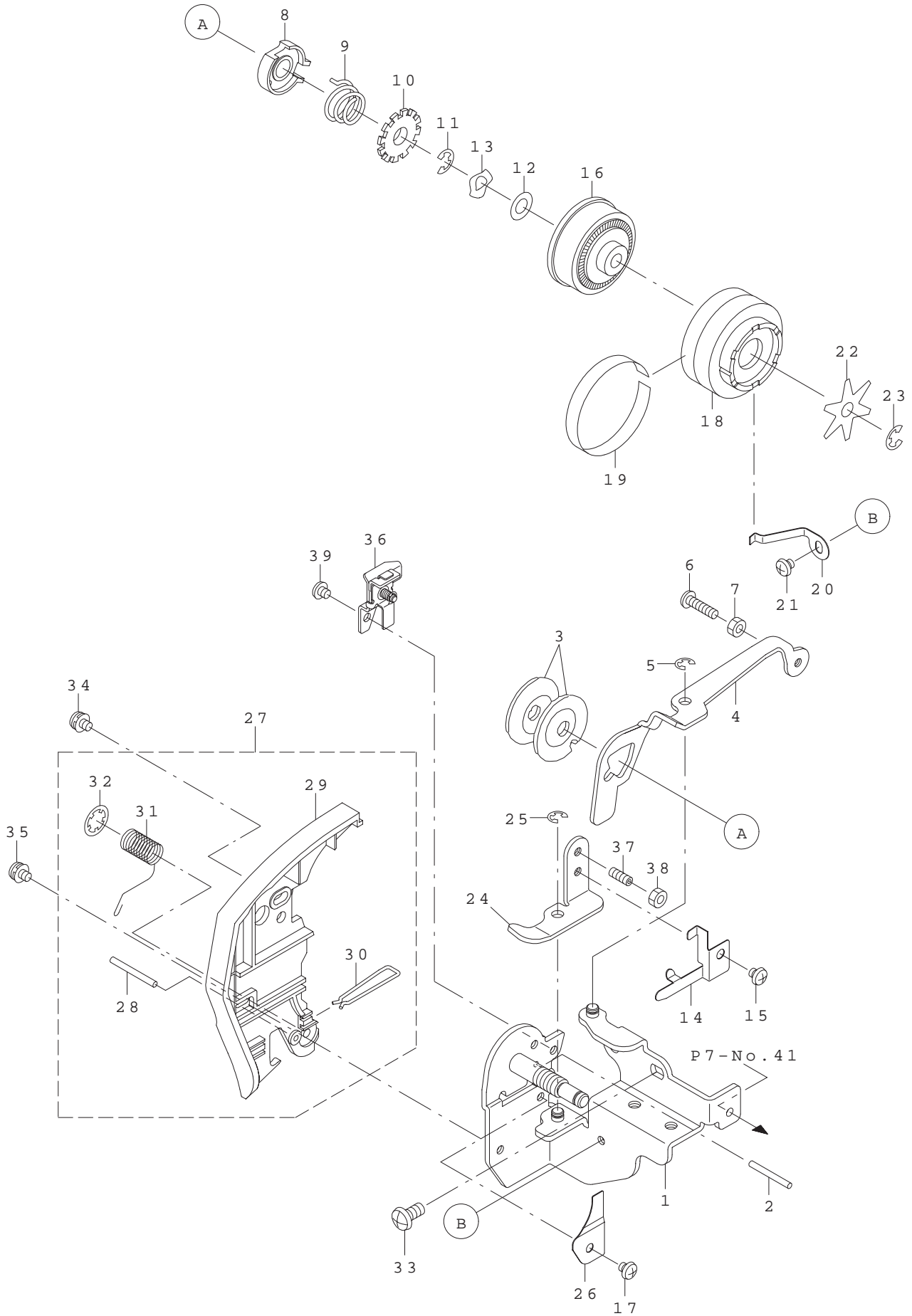
PLEASE REFER TO REMARKS OF CONTENTS FOR PARTS MARKED WITH (*)

7. NEEDLE BAR, PRESSER BAR AND LAMP COMPONENTS



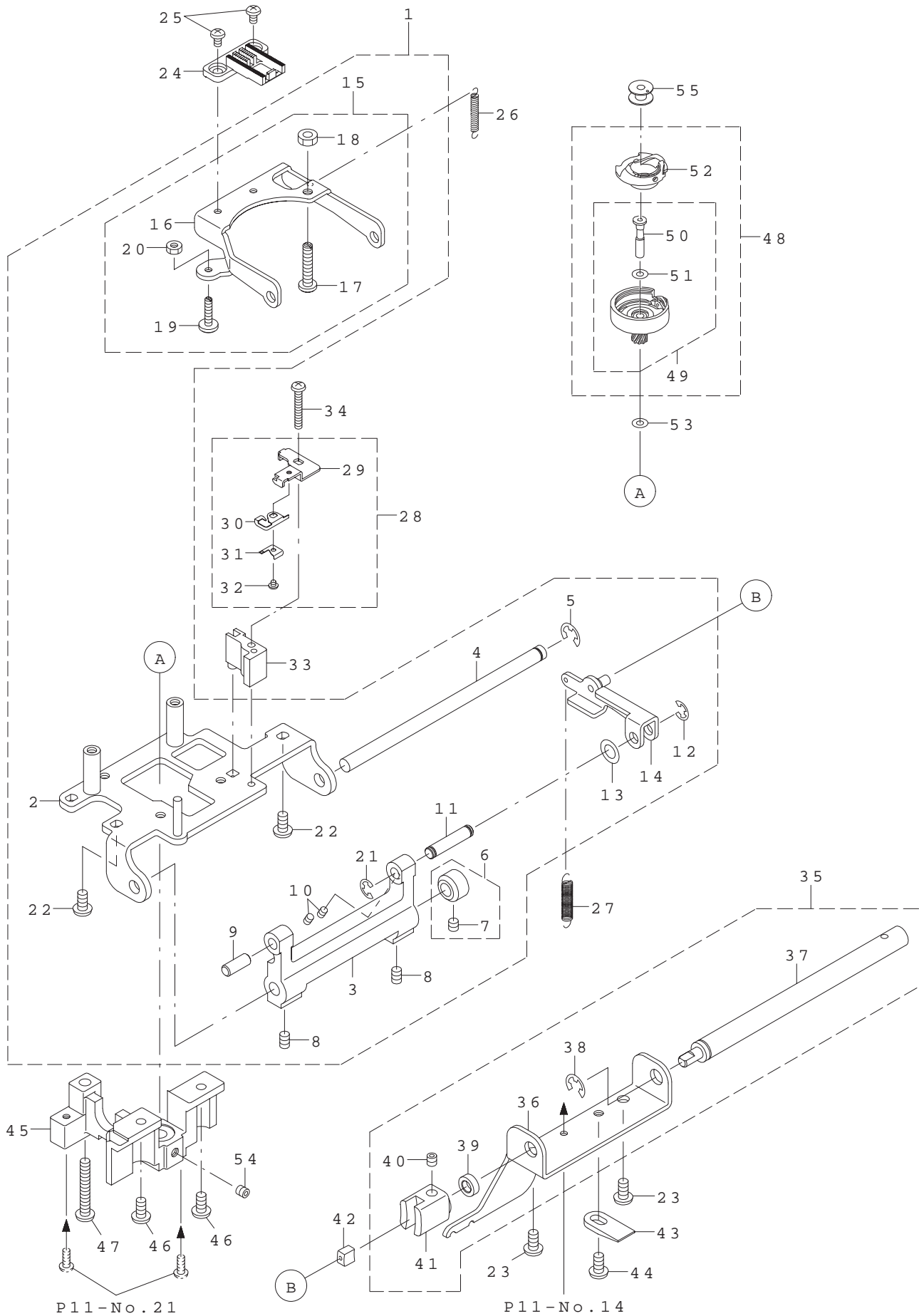
NO.	NOTE	PART NO.	PART DESCRIPTION	Qty	NOTE
1		A1410E800A0	NEEDLE BAR DRIVER (ASM.)	1	
2		A1401E500A0	NEEDLE BAR (ASM.)	(1)	
3		021147004-000	NEEDLE BAR	(1)	
4		A1403E80000	NEEDLE STOPPER	(1)	
5		A1418E50000	NEEDLE BAR THREAD RACK	(1)	
6		020804001-000	SCREW	(1)	
7		A1417E80000	NEEDLE STOPPER SCREW	(1)	
8		021127005-000	THREADER SHAFT	(1)	
9		A1441E50000	THREADER KNOB	(1)	
10		170421001-024	PIN	(1)	
11		170534005-034	SHAFT PIN (INSIDE)	(1)	
12		020972017-000	SHAFT PIN (UPPER)	(1)	
13		A1411E80000	NEEDLE BAR ROCKING BASE	(1)	
14		020929008-000	THREADER GUIDE PULLING SPRING	(1)	
15		A1440E500A0	THREADER HOOK HOLDER (ASM.)	(1)	
16		SM5030655SN	SCREW	(1)	
17		NM6030002SC	NUT	(1)	
18		A1414E500A0	NEEDLE BAR CONNECTION (ASM.)	(1)	
19		SM8040302TP	SCREW	(1)	
20		021123001-000	DRIVER SHAFT	(1)	
21		WZ0641500TH	THRUST WASHER	(1)	
22		073169007-000	SELECT GEAR SHAFT COLLAR	(1)	
23		SM8030402TP	SCREW	(1)	
24		174804008-000	NUT	(1)	
25		A1492067000	DRIVER DIFFERENTIAL ARM	1	
26		A1486E500A0	NEEDLE BAR LATERAL ADJUST PLATE (ASM.)	1	
27		A1460067000	GUIDE SPRING	1	
28		SM5040401SE	SCREW	1	
29		SM5040855SF	SCREW (RIGHT)	1	
30		SM5030655SN	SCREW (LEFT)	1	
31		RE0300000KR	E-RING	1	
32		A1470E800A0	NEEDLE BAR DRIVING LEVER (ASM.)	1	
33		A1456008000A	ECCENTRIC SHAFT	1	
34		SL5030831SE	SCREW	1	
35		WP0410316RZ	WASHER	1	
36		RE0300000KR	E-RING	1	
37		MHA100B1400	NEEDLE #14	1	
38		SM5030555SC	SCREW	1	
39		A311650C0A0	FACE PLATE COVER FITTING PLATE (ASM.)	1	
40		A380150C0A0	LAMP HOLDER (ASM.)(230V)	1	
41		A380360C000	BULB (230V)	1	
42		021156005-000	PULLING-SPRING	1	
43		A3117E50000	FACE PLATE SHIELD COVER	1	
44		SM5030555SF	SCREW	2	
45		A1508E80000	SHIM PLATE	1	
46		SM5040855SF	SCREW	2	
47		A1520E500A0	SNAP BASE (ASM.)	1	
48		A1524E800B0	Z/Z STANDARD PRESSER FOOT (ASM.)	1	
49		A1501E50000	PRESSER BAR	1	
50		123010006-074	SCREW	1	
51		021155001-000	PRESSER SPRING SUPPORT BASE (ASM.)	1	
52		021153004-000	PRESSER SPRING SUPPORT BASE	(1)	
53		021154008-000	ADJUSTING PLATE	(1)	
54		320235061-024	SCREW	(1)	
55		SM5040855SF	SCREW	1	
56		A1505E50000	PRESSER SPRING	1	
57		A1507E80000	PRESSER BAR GUIDE	1	
58		SM8051002TP	SCREW	1	

8. THREAD TENSION COMPONENTS



NO.	NOTE	PART NO.	PART DESCRIPTION	Qty	NOTE
1		A3180E500A0	FACE PLATE (ASM.)	1	
2		PS0200182KR	TENSION DISC GUIDE PIN	1	
3		A3910634000B	TENSION DISC	2	
4		A3187E50000	THREAD TENSION DISC FLOAT PLATE	1	
5		RE0300000KR	E-RING	1	
6		SM5031201SN	SCREW	1	
7		174803004-000	NUT M3	1	
8		051900002-000	DT DISC PRESSER	1	
9		051920001-000	SPRING	1	
10		051139006-000	ADJUST NUT	1	
11		RE0400000KR	E-RING	1	
12		17905009-034	PLAIN WASHER	1	
13		160160001-000	WAVED WASHER	1	
14		A3178E50000	DISC RELEASE SPRING	1	
15		SM5030355SN	SCREW	1	
16		A3168E50000	TENSION CAM	1	
17		SM5030355SN	SCREW	1	
18		A3195E50000	TENSION KNOB	1	
19		A319450C000	THREAD TENSION INDICATION SEAL	1	
20		A3199E50000	TENSION CAM POSITIONING PLATE	1	
21		SM5030355SN	SCREW	1	
22		A3152110000	THREAD TENSION DIAL PRESSER	1	
23		RE0400000KR	E-RING	1	
24		A3177E50000	PRETENSION FLOAT PLATE	1	
25		RE0300000KR	E-RING	1	
26		A3179E50000	DISC FIXING PLATE	1	
27		A3182E500A0	THREAD GUIDE COVER B (ASM.)	1	
28		170414007-024	SP PIN	(1)	
29		A3182E50000	THREAD GUIDE COVER B	(1)	
30		A3181E50000	THREAD TAKE-UP SPRING GUIDE BAR	(1)	
31		A3128067000	THREAD TAKE-UP SPRING	(1)	
32		172106007-024	CS SNAP RING	(1)	
33		SM5040855SF	SCREW	1	
34		SL5030531SF	SCREW (UPPER)	1	
35		SL5030631SF	SCREW (LOWER)	1	
36		A3173E500B0	PRETENSION (MAS ASM.)	1	
37		SM8030822SP	SCREW	1	
38		174803004-000	NUT M3	1	
39		SM5030355SN	SCREW	1	

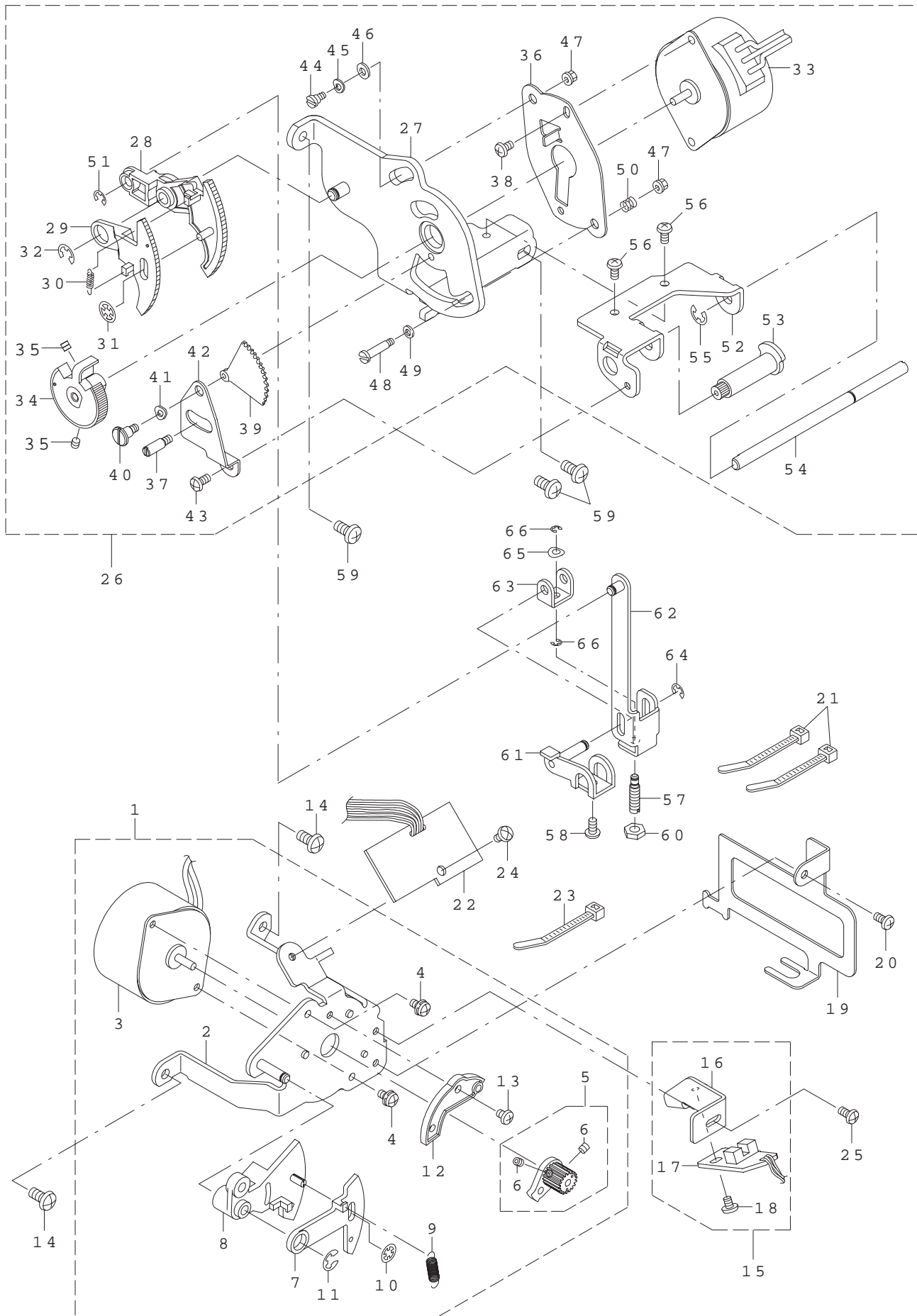
9. FEED BASE COMPONENTS



NO.	NOTE	PART NO.	PART DESCRIPTION	Qty	NOTE
1		A1850E500B0	HOOK FITTING BASE (MAS ASM.)	1	
2		A1850E500A0	HOOK FITTING BASE (ASM.)	(1)	
3		041227007-000	FEED ARM	(1)	
4		041228001-000	HORIZONTAL SHAFT	(1)	
5		RE0500000KR	E-RING	(1)	
6		A1601E500A0	Z/Z LEVER COLLAR (ASM.)	(1)	
7		SM8040402TP	SCREW	(2)	
8		SM8040602TP	SCREW	(2)	
9		041226009-000	FEED BASE SHAFT (LEFT)	(1)	
10		SM8030402TP	SCREW	(2)	
11		041225000-000	FEED BASE SHAFT (RIGHT)	(1)	
12		RE0400000KR	FEED BASE SHAFT (RIGHT) E-RING	(1)	
13		WP0620216RZ	THRUST WASHER	(1)	
14		A1614E500A0	HORIZONTAL FEED ARM (ASM.)	(1)	
15		A1602E800A0	FEED BASE (ASM.)	(1)	
16		A1602E50000	FEED BASE	(1)	
17		A1608E80000	VERTICAL FEED ADJUSTING SHAFT	(1)	
18		174804008-000	NUT M4	(1)	
19		A1609E50000	VERTICAL FEED ADJUSTING SHAFT (LEFT)	(1)	
20		NM6030002SD	NUT	(1)	
21		RE0400000KR	E-RING	(1)	
22		SM5040855SF	SCREW	(2)	
23		SM5040855SF	SCREW	2	
24		A1635E80000	FEED DOG	1	
25		SM4030501SF	SCREW	2	
26		041224006-000	PULLING SPRING	1	
27		A1616E50000	HORIZONTAL FEED ARM PULLING SPRING	1	
28		A1835E500A0A	BOBBIN CASE STOPPER BASE (ASM.)	1	
29	*	A1835067000	BOBBIN CASE STOPPER BASE	(1)	
30	*	A1836E50000	SPRING	(1)	
31	*	A1829E50000	BOBBIN CASE STOPPER SPRING SUPPORT	(1)	
32	*	SM4020201SF	SCREW	(1)	
33		A1853067000	SPACER	1	
34		SM5032001SF	SCREW	1	
35		A1625E500A0	FEED FITTING PLATE (ASM.)	1	
36		A1625E50000	FEED FITTING PLATE	(1)	
37		A1621E50000	FEED REGULATOR SHAFT	(1)	
38		RE0500000KR	FEED REGULATOR SHAFT E-RING	(1)	
39		A1624E50000	FEED REGULATOR SHAFT COLLAR	(1)	
40		SM8040402TP	SCREW	(1)	
41		A1622030Z00	FEED REGULATOR	(1)	
42		A1623700000	FEED REGULATOR BLOCK	1	
43		A1820E50000	HOOK DRIVING SHAFT SUPPORT	1	
44		SM5040855SF	SCREW	1	
45		A1853E50000	HOOK BASE	1	
46		SM5040855SF	SCREW (FRONT)	2	
47		SM5042755SN	SCREW (REAR)	1	
48		A1830E800D0	HOOK (MAS ASM.)	1	
49		A1830E800C0	ROTATING HOOK (MAS ASM.)	(1)	
50		A18090310A0	HOOK SHAFT (ASM.)	(1)	
51		WP0620516RZ	WASHER	(1)	
52		A1837E500A0A	BOBBIN CASE HOLDER ASM.	(1)	
53		WP0620516RZ	HOOK WASHER	1	
54		SM8040402TP	SCREW	1	
55		001141000-000	TRANSPARENT BOBBIN	1	

PLEASE REFER TO REMARKS OF CONTENTS FOR PARTS MARKED WITH (*)

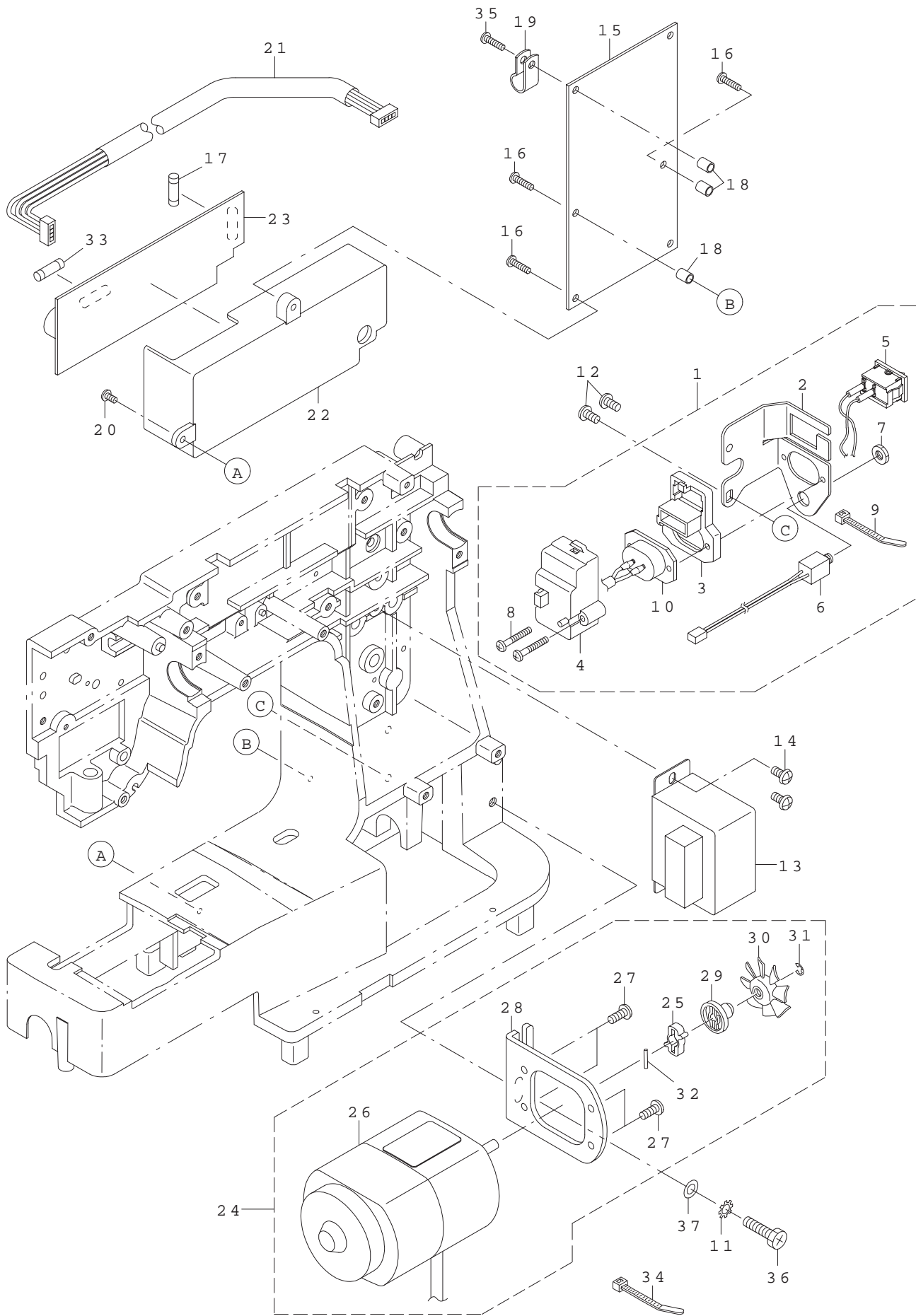
10.NEEDLE THROWING STM AND FEED STM COMPONENTS



NO.	NOTE	PART NO.	PART DESCRIPTION	Qty	NOTE
1		A2101E800B0	STM FITTING BASE (MAS ASM.)	1	
2	*	A2101E500A0	STM FITTING BASE (ASM.)	(1)	
3	*	A2102E800A0	STM (ASM.)	(1)	
4		SL5030655SN	SCREW	(2)	
5	*	A21040080A0	STM GEAR (ASM.)	(1)	
6		SM8030402TP	SCREW	(2)	
7	*	A2116008000	LINK GEAR A	(1)	
8	*	A2117008000	LINK GEAR B	(1)	
9	*	A1627030Z00	LINK GEAR SPRING	(1)	
10	*	A114170000C	LINK GEAR NUT	(1)	
11	*	A2118008Z00	LINK GEAR E-RING	(1)	
12	*	A2105E80000	LINK GEAR STOPPER	(1)	
13	*	SM5030455SF	SCREW	(1)	
14		SM5040855SF	SCREW	2	
15		A7120E500A0	MP DETECTING BOARD (MAS ASM.)	1	
16		A7120E50000	MP DETECTING BOARD PLATE	(1)	
17		A7122E500A0	MP DETECTING BOARD (ASM.)	(1)	
18		SM5030455SF	SCREW	(1)	
19		A3919E50000	CARD GUIDE PLATE	1	
20		SM5030655SN	SCREW	1	
21		A407855000B	BAND	2	
22		A4022E500A0	MAIN SHAFT DETECTING BOARD (ASM.)	1	
23		A407855000B	BAND	1	
24		SM5030655SN	SCREW	1	
25		SM5030655SN	SCREW	1	
26		A1645E800B0	FEED STM FITTING BASE (MAS ASM.)	1	
27	*	A1645E500A0	FEED STM FITTING BASE (ASM.)	(1)	
28	*	A1632E80000	FEED ADJUSTING GEAR A	(1)	
29	*	A1633E50000	FEED ADJUSTING GEAR B	(1)	
30	*	A1627030Z00	FEED ADJUSTING GEAR SPRING	(1)	
31	*	A114170000C	FEED ADJUSTING GEAR NUT	(1)	
32	*	RE0400000KR	E-RING	(1)	
33	*	A1660E800A0	FEED STM (ASM.)	(1)	
34	*	A1648E500A0	FEED STM GEAR (ASM.)	(1)	
35	*	SM8030302TP	SCREW	(2)	
36	*	A1644E50000	FEED STM ADJUSTING PLATE	(1)	
37	*	A1647E50000	SUPPORT SHAFT	(1)	
38	*	SM5030555SN	SCREW	(1)	
39	*	A1653030Z00	FEED ADJUSTING WHEEL A	(1)	
40	*	A1650E50000	FEED ADJUSTING WHEEL A SHAFT	(1)	
41	*	A1472030000	SPRING WASHER	(1)	
42	*	A1658E50000	FEED ADJUSTING WHEEL GUIDE PLATE	(1)	
43	*	SM5030655SN	SCREW	(1)	
44	*	A1647030Z00	FEED STM STEP-SCREW	(1)	
45	*	A2110700000	FEED STM SPRING WASHER	(1)	
46	*	WP0620516RZ	FEED STM WASHER A	(1)	
47	*	NM0044250SN	FEED STM NUT	(2)	
48	*	A1656030Z00	FEED STM ADJUSTING STEP-SCREW	(1)	
49	*	WP0460516RZ	FEED STM WASHER B	(1)	
50	*	A1655030Z00	FEED STM ADJUSTING SPRING	(1)	
51	*	RE0300000KR	E-RING	(1)	
52	*	A1656E50000	FEED ADJUSTING GUIDE PLATE	(1)	
53		A1654E50000	FEED ADJUSTING WHEEL B	(1)	
54	*	A1655E50000	FEED ADJUSTING GUIDE SHAFT	(1)	
55	*	RE0400000KR	FEED ADJUSTING GUIDE SHAFTE E-RING	(1)	
56	*	SM5030655SN	SCREW	(2)	
57		A1628E50000	FEED ADJUSTING SCREW	1	
58		SM5030655SF	SCREW	1	
59		SM5040855SF	SCREW	3	
60		174804008-000	NUT	1	
61		A1636E500A0	FEED WORKING ARM (ASM.)	1	
62		A1630E500A0	FEED DIFFERENTIAL CONNECTING PLATE (ASM.)	1	
63		A1627E50000	FEED ADJUSTING PLATE	1	
64		RE0300000KR	E-RING	1	
65		A1629E50000	WAVED WASHER	1	
66		RE0200000KR	E-RING	2	

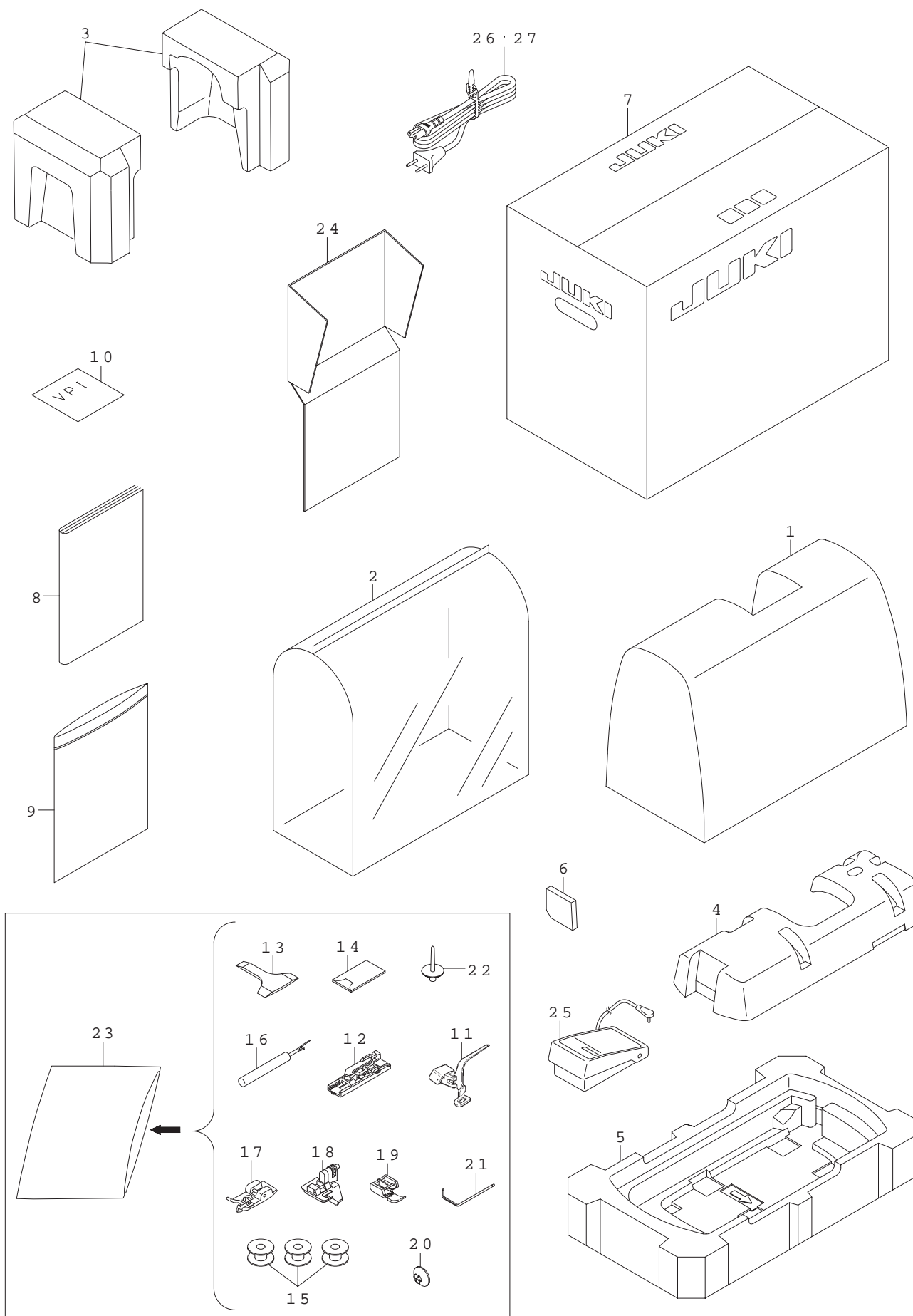
PLEASE REFER TO REMARKS OF CONTENTS FOR PARTS MARKED WITH (*)

11.AXIS DRIVE MOTOR AND POWER SOURCE BASE COMPONENTS



NO.	NOTE	PART NO.	PART DESCRIPTION	Qty	NOTE
1		A450150C0A0	POWER SW FITTING BASE (ASM.)	1	
2		A450150C000	POWER SW FITTING BASE	(1)	
3		A450350C00A	POWER SW BOX A	(1)	
4		A450350C00B	POWER SW BOX B	(1)	
5		A4032E500A0	POWER SW (ASM.)	(1)	
6		A4015E500A0	CONTROLLER RECEPTACLE (ASM.)	(1)	
7		A4014008X00	NUT	(1)	ACCESSORIE PART NO.6
8		SM4032051SF	SCREW	(2)	
9		A407855000B	BAND	(1)	
10		A442798000F	POWER CORD INLET (ASM.)	(2)	
11		WT0530002KS	WASHER	1	
12		SM5040855SF	SCREW	2	
13		A4505E80XA0	POWER TRANSFORMER (ASM.)	1	
14		SM5040855SF	SCREW	2	
15		A4041E800A0	MICRO COMPUTER CIRCUIT BOARD (ASM.)	1	
16		SM5031201SN	SCREW	3	
17		HF0030031P0	FUSE	1	
18		A4046E50000	SPACER	3	
19		HX00150000C	CABLE CLIP	1	
20		SM5030655SN	SCREW (LOWER)	1	
21		A404250C0A0	ELECTRIC POWER CONNECTION (ASM.)	1	
22		A4016E50000	ELECTRIC POWER BOX	1	
23		A4040E80XA0	ELECTRIC POWER BOARD (ASM.)	1	
24		A7100E80XB0	MOTOR (MAS ASM.)(230V)	1	
25		A710000900C	MOTOR PULLEY RUBBER	(1)	
26		A7100E80XA0	MOTOR (ASM.)(230V)	(1)	
27		SM5041055SN	SCREW	(4)	
28		A710160C000	MOTOR BRACKET	(1)	
29		A7100T7000A	MOTOR SHAFT PULLEY	(1)	
30		A710003000B	MOTOR SHAFT PULLEY FLANGE	(1)	
31		RE0300000KR	E-RING	(1)	
32		PS0200142KH	MOTOR SHAFT PULLEY PIN	(1)	
33		HF0059020P0	FUSE	1	
34		A407855000B	BAND	1	
35		SM5031401SC	SCREW	1	
36		SM9052055SF	SCREW	1	
37		WP0531616SE	PLAIN WASHER	1	

12. PACKING MATERIAL, ACCESSORIES AND OPTIONAL PARTS COMPONENTS



NO.	NOTE	PART NO.	PART DESCRIPTION	Qty	NOTE
1		A8401E500A0	HARD CASE (ASM.)	1	
2		J0231550A00	POLYETHYLENE BAG	1	
3		J0221E50A0A	STYROFOAM (OUTSIDE) (ASM.)	1	
4		J0221E50A0C	STYROFOAM (INSIDE)	1	
5		J0221E50A0E	STYROFOAM (LOWER)	1	
6		J0221E50A0B	AUXILIARY BED PACKING	1	
7		J0202E80A0C	CARTON BOX	1	
8		AJE800S0B0A	INSTRUCTION MANUAL(USA.FRA.SPA)	1	
9		001022005-000	INSTRUCTION MANUAL BAG	1	
10		J0233500A00	VPI PAPER	1	
11		A5133E800B0	QUILTING ATTACHMENT (MAS ASM.)	1	
12		A9127T700A0A	BH PRESSER FOOT (ASM.)	1	
13		A9110700000	DRIVER	1	
14		000286197-000	NEEDLE SET (#11,#14)	1	
15		001141000-000	TRANSPARENT BOBBIN	1	
16		A9131990000	SEAM RIPPER	1	
17		A9141T700A0	OVERCASTING FOOT (ASM.)	1	
18		A91360080A0	BLINDSTITCH PRESSER FOOT	1	
19		A91330080A0	ZIPPER FOOT	1	
20		A11509800A0	SPOOL CAP	1	
21		A9134550000	RULER	1	
22		A9148030Z00	AUXILIARY SPOOL PIN	1	
23		A9101550000	ACCESSORY BAG	1	
24		A7103T50100	CONTROLLER CUSHION	1	
25		A710250C0A0	FOOT CONTROLLER (ASM.)	1	
26		A44219800BHA	ELECTRIC POWER CORD SET (ASM.)(BS)	1	
27		A44219800AF	ELECTRIC POWER CORD SET (ASM.)(CEE)	1	
28		A910750C0A0	1/4" FOOT PRESSER (ASM.)	1	OPTIONAL PARTS
29		A9150E800A0	WALKING FOOT	1	OPTIONAL PARTS
30		000421504-000	STRAIGHT STITCH PRESSER FOOT	1	OPTIONAL PARTS
31		A91905000A0	MANUAL BH PRESSER FOOT	1	OPTIONAL PARTS
32		A91337000AA	INVISIBLE ZIPPER FOOT (ASM.)	1	OPTIONAL PARTS
33		A91047000A0	ROLLED HEMMING FOOT	1	OPTIONAL PARTS
34		A92018800A0A	TEFLON PRESSER FOOT (ASM.)	1	OPTIONAL PARTS

JUKI®

JUKI CORPORATION

HOUSEHOLD SEWING MACHINE DIV.

8-2-1, KOKURYO-CHO, CHOFU-SHI

TOKYO 182-8655, JAPAN

PHONE : (81)3-3480-5034

Facsimile : (81)3-3480-5037

Copyright © 2002 JUKI CORP.

All rights reserved throughout the world.

29363702