

JUKI®

**2-NEEDLE, 4-THREAD OVERLOCK SEWING MACHINE
OVERLOCK-NÄHMASCHINE MIT 2 NADELN, 4 FÄDEN
SURJETEUSE-RASEUSE 2 AIGUILLES, 4 FILS**

MO-644D

Parts list

Teilekatalog

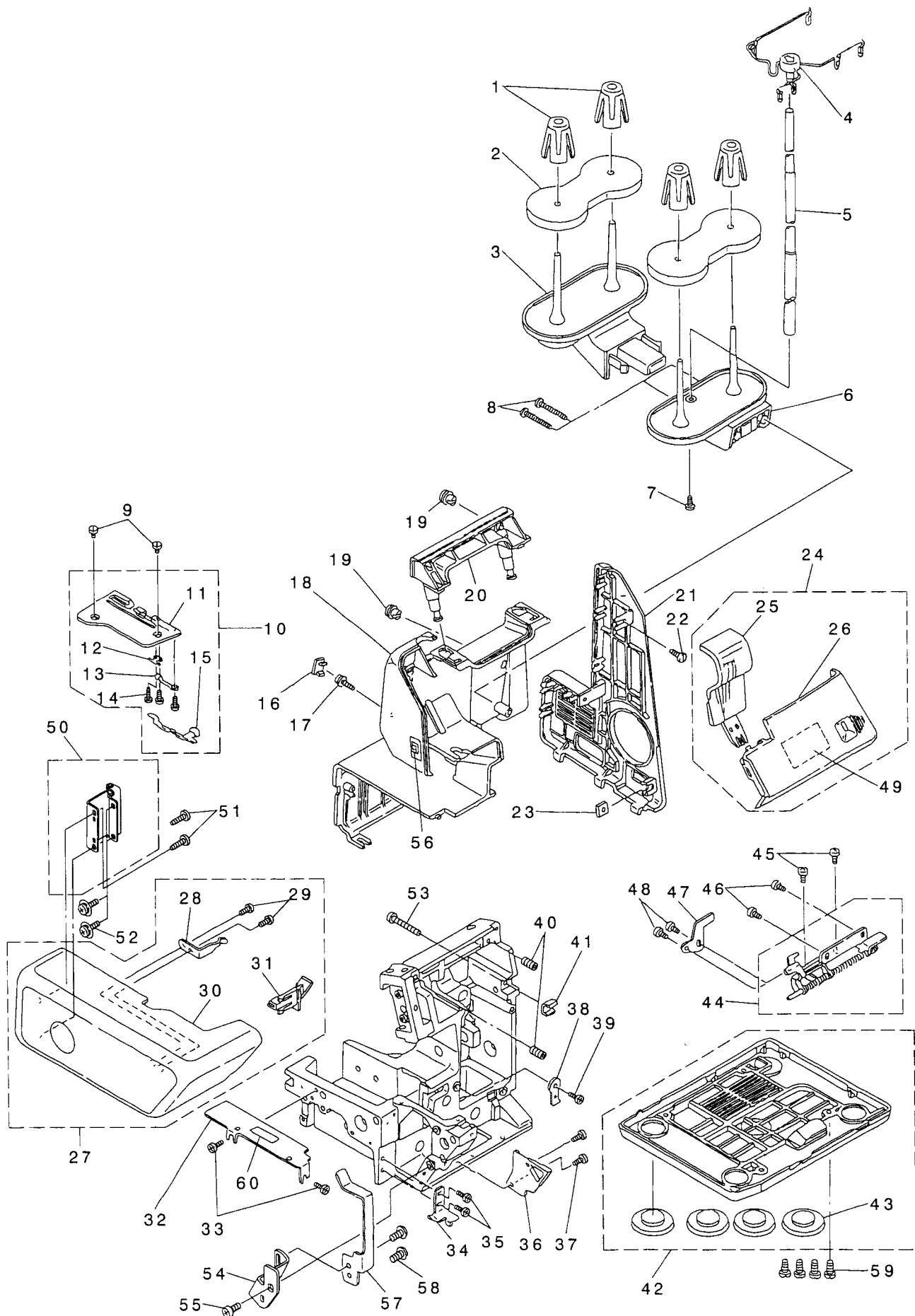
Catalogue de pièces détachées

A915264D00C

CONTENTS

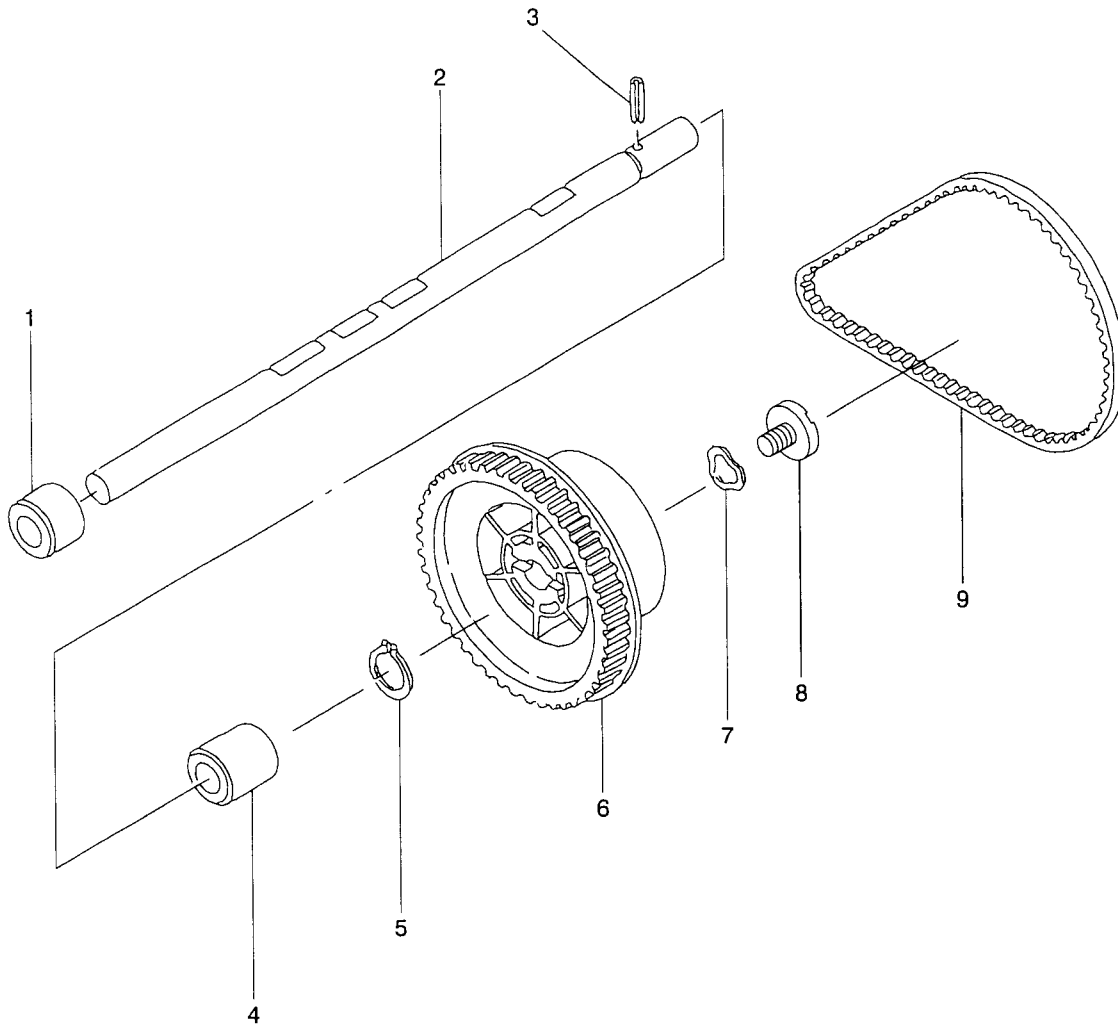
1. FRAME COMPONENTS	1
2. MAIN SHAFT COMPONENTS	3
3. NEEDLE BAR & PRESSER FOOT COMPONENTS	5
4. FEED MECHANISM COMPONENTS	7
5. LOOPER DRIVE COMPONENTS	9
6. KNIFE COMPONENTS	11
7. THREAD TENSION COMPONENTS	13
8. LAMP & MOTOR CONTROLLER COMPONENTS	15
9. ACCESSORIES PARTS COMPONENTS	17

1. FRAME COMPONENTS



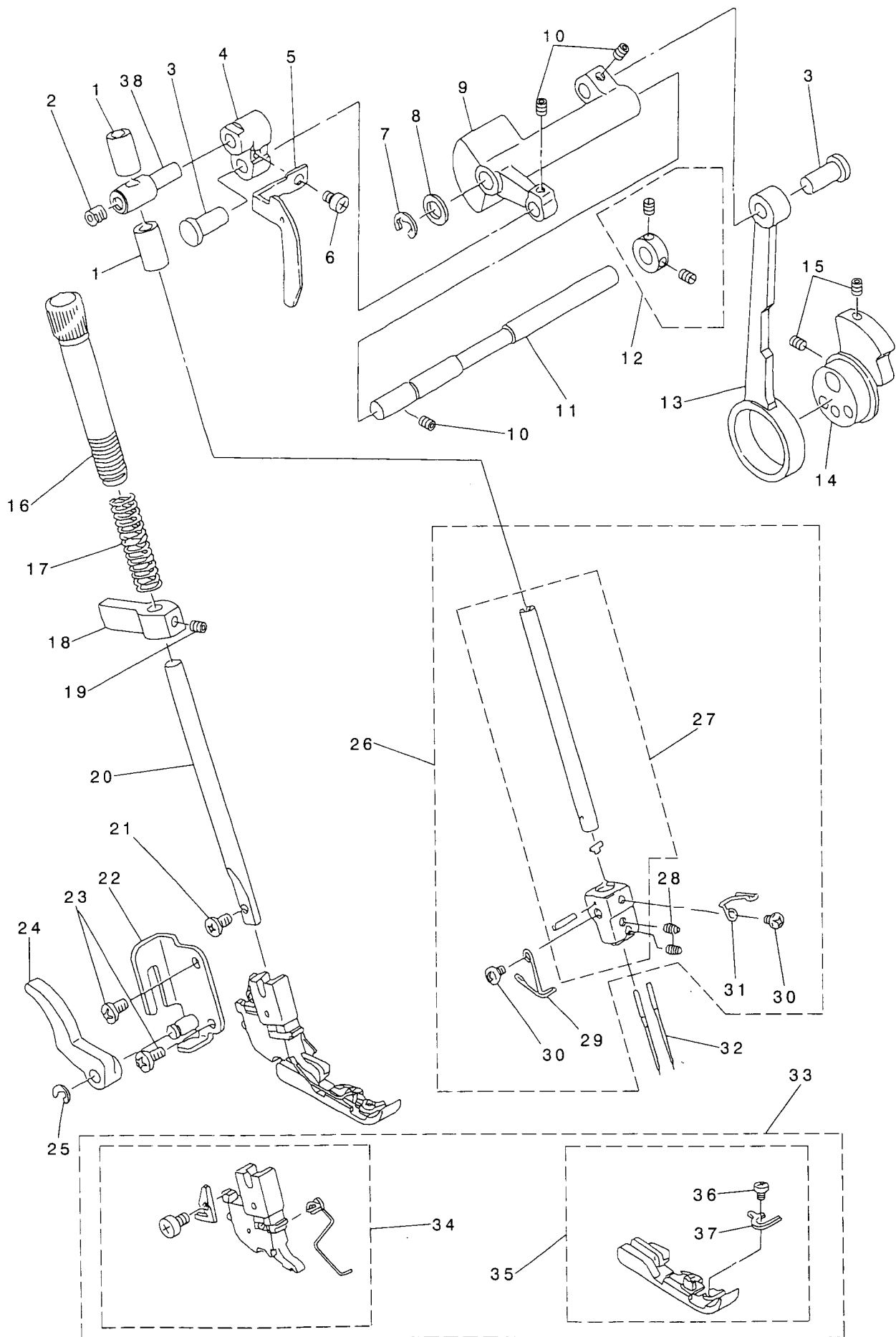
REF.NO	NOTE	PART NO.	DESCRIPTION	Qty
1		A1120-202-000	SPOOL RETAINER	4
2		A1121-202-000	SPOOL REST CUSHION	2
3		A1119-644-000-A	SPOOL HOLDER(B)	1
4		A1120-644-0A0	THREAD GUIDE ASM.	1
5		A1120-334-000	SUPPORTING ROD	1
6		A1118-644-000-A	SPOOL HOLDER(A)	1
7		SM-5051255-SN	SCREW	1
8		SM-5043755-SC	SCREW	2
9		A1138-335-000	SCREW	2
10		A1115-334-0B0-A	THROAT PLATE CPL.	1
11		A1115-334-0A0	THROAT PLATE ASM.	(1)
12		A1131-203-000	SPRING	(1)
13		A1132-334-000	THREAD SLIP GUIDE	(1)
14		SM-4020351-SC	SCREW	(3)
15		A1136-314-DA0-A	THROAT PLATE THREAD SLIP ASM.	(1)
16		A1146-644-000	COVER CAP(B)	1
17		SL-5031031-SN	SCREW	1
18		A1106-644-000	REAR COVER	1
19		A1124-644-000	COVER CAP(A)	2
20		A1145-644-000	HANDLE	1
21		A1103-644-000-A	SIDE COVER	1
22		SL-4040831-SF	SCREW	1
23		A3151-535-000	FRONT COVER NUT	1
24		A1151-64D-BA0-B	LOOP.COVER ASM. (VDE/SAA/SAUDI)	1
25		A1152-644-000-B	CHIP GUARD COVER	(1)
26		A1151-64D-B00-A	LOOPER COVER	(1)
27		A1104-64D-0A0-B	CLOTH PLATE ASM. (ADJUST HOLE)	1
28		A1160-634-000	CLOTH PLATE OPENING SPRING	(1)
29		ST-5041051-SN	TAPING SCREW	(2)
30		A1104-64D-000-B	CLOTH PLATE	(1)
31		A1104-644-A00-A	CLOTH PLATE COVER	(1)
32		A1135-535-000	UPPER COVER	1
33		SM-5040855-SN	SCREW	2
34		A1164-535-000	CLOTH PLATE PRESSER PLATE	1
35		SM-5040855-SN	SCREW	2
36		A1156-644-000	LOOPER COVER GUIDE	1
37		SM-4040855-SN	SCREW	2
38		A3161-634-000	FRONT COVER INSTALLATION PLATE	1
39		SM-4040655-SN	SCREW	1
40		SM-8050842-TP	SCREW	2
41		A3150-535-000	FRONT COVER ASM. PLATE	1
42		A1102-644-0A0	BASE PLATE ASM.	1
43		A1123-535-000	SUCTION FEET	(4)
44		A1153-644-0A0	LOOPER COVER HINGE ASM.	1
45		SM-5040855-SN	SCREW	2
46		ST-5041051-SN	TAPING SCREW	2
47		A1169-634-000	CHIP GUARD COVER PLATE	1
48		SM-4850455-SN	SCREW	2
49		A1190-644-000	THREADING CHART	1
50		A1161-535-0A0	CLOTH PLATE HINGE ASM.	1
51		ST-5041051-SN	TAPING SCREW	2
52		SL-5040865-SN	SCREW	2
53		SM-5032555-SE	SCREW	1
54		A2536-524-000	NEEDLE SUPPORT PLATE	1
55		SM-5040655-SN	SCREW	1
56		A3123-644-B00	NEEDLE FIXATION LABEL (VDE/SAA)	1
57		A2535-534-000-A	NEEDLE SUPPORT	1
58		SM-4030655-SP	SCREW	2
59		SM-5051255-SN	SCREW	4
60		A9196-524-000	CAUTION LABEL (UL/CSA)	1

2. MAIN SHAFT COMPONENTS



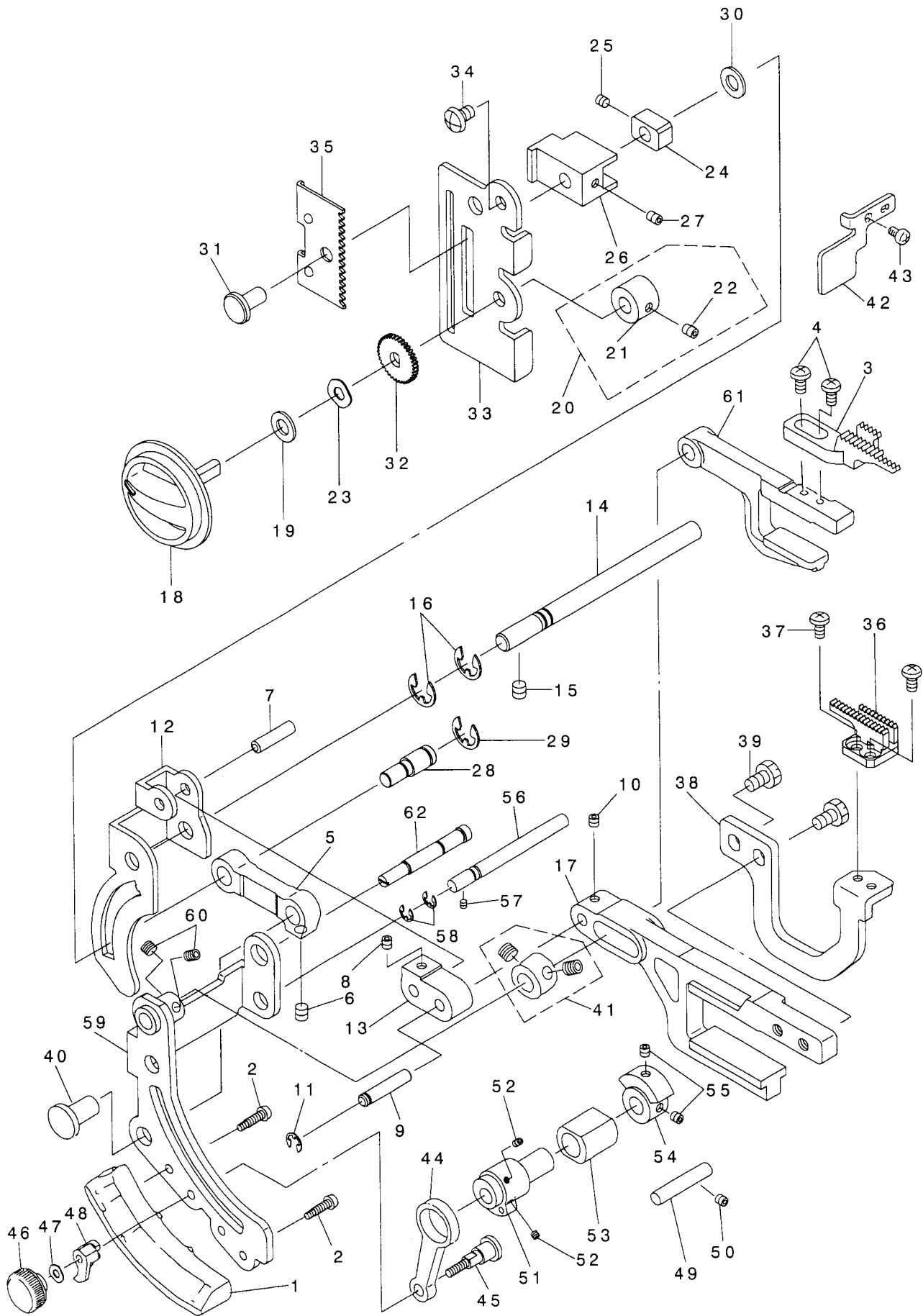
REF.NO	NOTE	PART NO.	DESCRIPTION	Qty
1		A1206-335-000	MAIN SHAFT BUSHING, FRONT	1
2		A1201-535-00A	MAIN SHAFT	1
3		PS-0400222-KH	PIN	1
4		A1206-202-000	MAIN SHAFT BUSHING	1
5		A1206-102-000	C RING	1
6		A1202-644-000	HANDWHEEL	1
7		A1206-535-000	HANDWHEEL WASHER	1
8		A1230-500-000-A	HANDWHEEL SETSCREW	1
9		A1205-634-000	TIMING BELT	1

3. NEEDLE BAR & PRESSER FOOT COMPONENTS



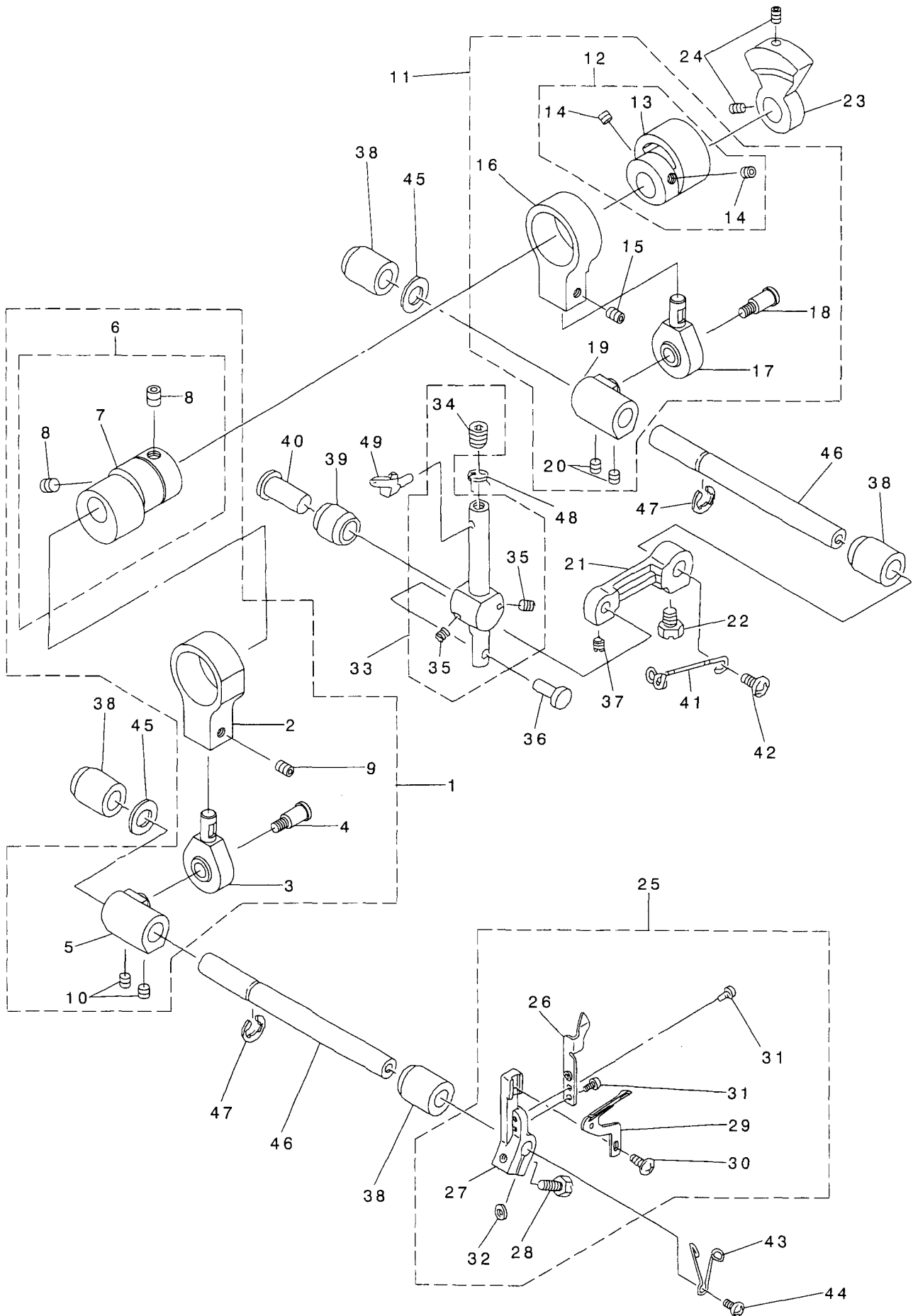
REF.NO	NOTE	PART NO.	DESCRIPTION	Qty
1		A1407-102-000	NEEDLE BAR BUSHING	2
2		SM-8060602-TP	SCREW	1
3		A1403-102-000	CONNECTING PIN	2
4		A1412-535-000	NEEDLE BAR LINK	1
5		A1413-613-000	NEEDLE THREAD TKAE-UP	1
6		SM-4040655-SN	SCREW	1
7		RE-0600000-KO	E-SHAPED SNAP RING	1
8		WP-0820516-SP	WASHER	1
9		A1402-535-000	NEEDLE BAR CRANK	1
10		SM-8040402-TP	SCREW	3
11		A1404-535-000	NEEDLE BAR DRIVING SHAFT	1
12		A1414-502-0A0	THRUST COLLAR ASM.	1
13		A1403-335-000-A	NEEDLE BAR CRANK ROD	1
14		A1401-535-000-A	NEEDLE BAR DRIVING CAM	1
15		SM-8050602-TP	SCREW	2
16		A1503-634-000	PRESSER FOOT ADJ. SCREW	1
17		A1501-535-000	PRESSER SPRING	1
18		A1502-535-000	PRESSER BAR GUIDE BRACKET	1
19		SM-8050402-TP	SCREW	1
20		A1507-535-000	PRESSER BAR	1
21		SM-5040855-SN	SCREW	1
22		A1504-535-0A0	LIFTING LEVER SET PLATE ASM.	1
23		SM-5040855-SN	SCREW	2
24		A1506-644-000	LIFTING LEVER	1
25		RE-0500000-KO	E-RING	1
26		A1406-634-0B0	NEEDLE BAR MAS. ASM.	1
27		A1406-634-0A0	NEEDLE BAR ASM.	(1)
28		A1416-777-000	NEEDLE SCREW	(2)
29		A1410-634-000	NEEDLE BAR THREAD GUIDE(B)	(1)
30		SM-5030455-SN	SCREW	(2)
31		A1409-634-000	NEEDLE BAR THREAD GUIDE(A)	(1)
32		MHA-100B1100	NEEDLE HAX1 #11	2
33		A1501-644-0C0	PRESSER FOOT MAS. ASM.	1
34		A1514-535-0B0	PRESSER FOOT SHANK ASM.	(1)
35		A1501-634-0B0	PRESSER FOOT	(1)
36		SM-4030301-SC	SCREW	(1)
37		A1550-634-000	TAPE GUIDE PLATE	(1)
38		A1411-335-000	CLOTH PLATE FIXING SPRING	1

4. FEED MECHANISM COMPONENTS



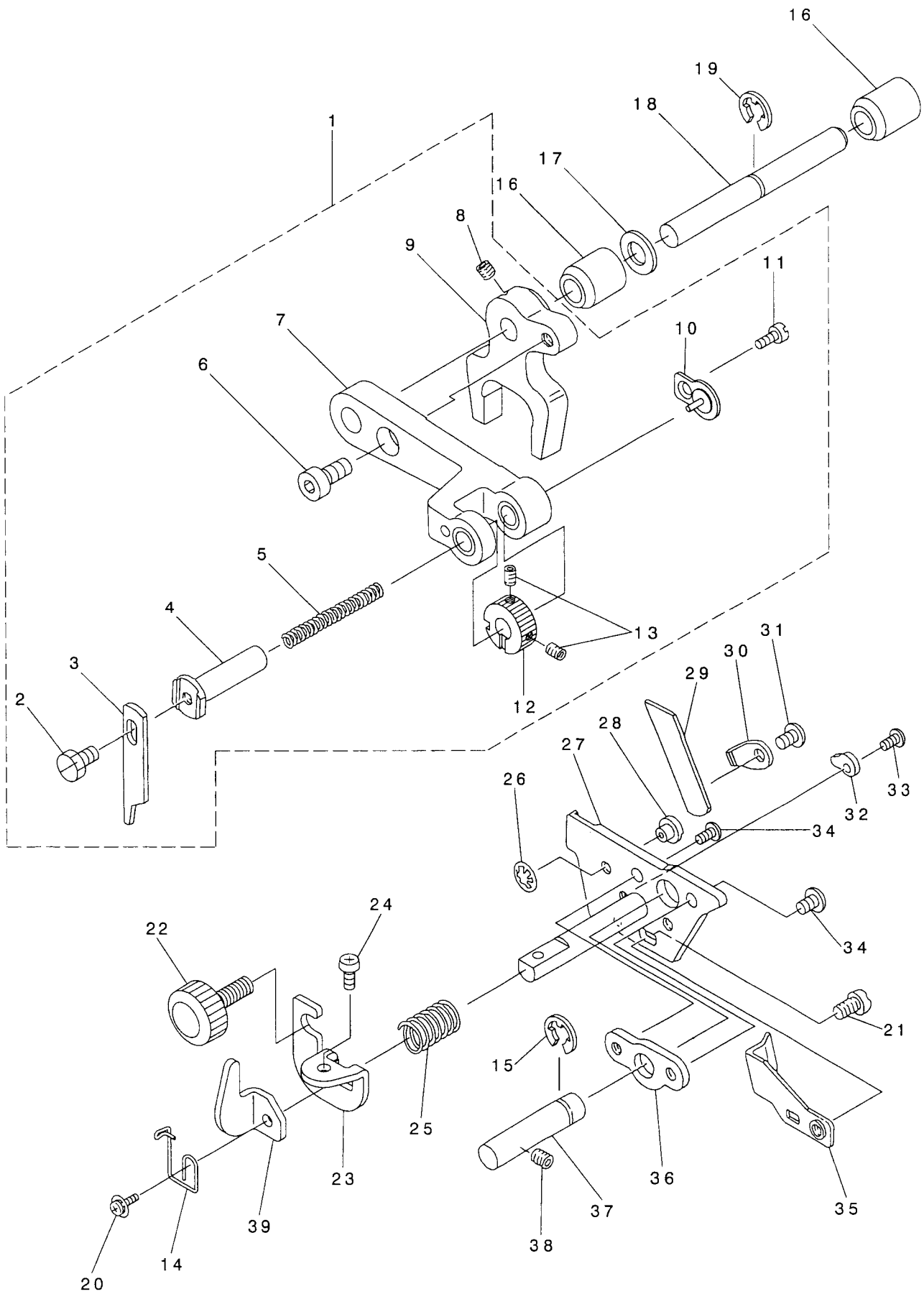
REF.NO	NOTE	PART NO.	DESCRIPTION	Qty
1		A1628-535-000-A	FEED ADJUSTING SCALE	1
2		ST-4861051-SN	TAPING SCREW	2
3		A1627-634-D00	MAIN FEED DOG	1
4		SM-4030655-SP	SCREW	2
5		A1631-535-000	DIF FEED LINK	1
6		SM-8040402-TP	SCREW	1
7		A1634-535-000	DIF FEED ARM SHAFT	1
8		SM-8030302-TP	SCREW	1
9		A1635-535-000	SHAFT	1
10		SM-8030302-TP	SCREW	1
11		RE-0300000-KO	E-SHAPED SNAP RING	1
12		A1636-535-000-A	DIF FEED ARM	1
13		A1637-535-000	DIF FEED LINK	1
14		A1637-52D-000	DIF FEED SHAFT	1
15		SM-8040402-TP	SCREW	1
16		RE-0500000-KO	E-RING	2
17		A1639-535-000	DIF FEED BASE ARM	1
18		A1602-64D-000-A	DIF FEED REGULATING DIAL	1
19		WP-0531000-SC	WASHER	1
20		A1616-880-QA0	THRUST COLLAR ASM.	1
21		A1616-880-000	THRUST COLLAR	(1)
22		SM-8030302-TP	SCREW	(1)
23		WZ-0540200-KH	WASHER	1
24		A1638-776-000	DIF FEED BLOK	1
25		SM-8030302-TP	SCREW	1
26		A1651-52D-000	DIF FEED BLOK GUIDE	1
27		SM-8030402-TP	SCREW	1
28		A1670-52D-000	DIF SUPPOTING SHAFT	1
29		RE-0500000-KO	E-RING	1
30		WP-0531000-SC	WASHER	1
31		A1671-52D-000	BLOK GUIDE SHAFT	1
32		A1673-52D-000	DIF FEED GEAR	1
33		A1674-52D-000	DIF FEED PLATE	1
34		SM-5040655-SN	SCREW	1
35		A1675-52D-QA0	DIF FEED RACK ASM.	1
36		A1642-534-D00	DIF FEED DOG	1
37		SM-4030655-SP	SCREW	2
38		A1648-535-000	SUPPORT BRACKET	1
39		SM-9040700-SP	HEXAGONAL BOLT	2
40		A1620-335-000	DIF FEED LINK SHAFT	1
41		A1605-550-QA0-A	THRUST COLLAR	1
42		A1613-535-000	FEED BASE GUIDE	1
43		SM-4040655-SN	SCREW	1
44		A1616-535-000	HORIZONTAL FEED RINK	1
45		A1651-535-000	MAIN FEED ADJUSTING SHAFT	1
46		A1650-534-000	MAIN FEED ADJUSTING KNOB	1
47		WZ-0430200-KP	WASHER	1
48		A1652-535-000	MAIN FEED POINTER	1
49		A1612-535-000	FEED BASE GUIDE ROD	1
50		SM-8040402-TP	SCREW	1
51		A1617-534-000-A	VERTICAL HORIZONTAL FEED CAM	1
52		SM-8040602-TP	SCREW	2
53		A1630-535-000	VERTICAL FEED ADS.	1
54		A1207-503-000	BALANCE WEIGHT	1
55		SM-8040602-TP	SCREW	2
56		A1622-535-000	HORIZONTAL FEED SHAFT	1
57		SM-8040402-TP	SCREW	1
58		RE-0500000-KO	HORIZONTAL FEED SHAFT E-RING	2
59		A1623-535-QA0	FEED BASE ARM ASM.	1
60		SM-8040302-TP	SCREW	2
61		A1625-535-000	FEED BASE	1
62		A1626-535-000-A	FEED BASE SUPPORTING SHAFT	1

5. LOOPER DRIVE COMPONENTS



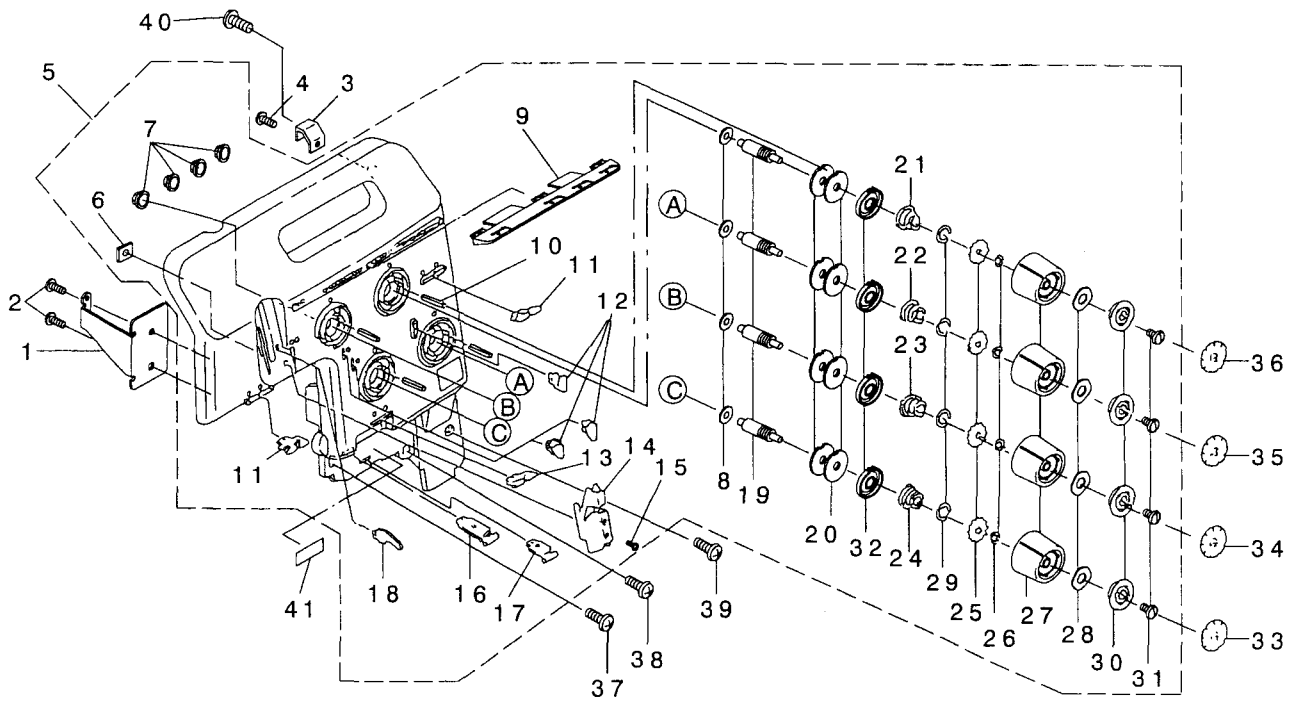
REF.NO	NOTE	PART NO.	DESCRIPTION	Qty
1		A2515-534-0A0-B	LOWER LOOPER ROD ASM.	1
2		A2515-534-000-A	LOWER LOOPER ROD	(1)
3		A2503-776-000	CONNECTING ROD	(1)
4		A2504-776-000	CONNECTING SCREW	(1)
5		A2505-776-000	LOOPER DRIVING ARM	(1)
6		A2514-534-0A0-B	LOWER LOOPER CAM ASM.	(1)
7		A2514-534-00C	LOWER LOOPER CAM	(1)
8		SM-8050602-TP	SCREW	(2)
9		SM-8040602-TP	SCREW	(1)
10		SM-8040402-TP	SCREW	(2)
11		A2502-534-0A0-A	UPPER LOOPER ROD ASM.	1
12		A2501-534-0A0-A	UPPER LOOPER CAM ASM.	(1)
13		A2501-534-000-A	UPPER LOOPER CAM	(1)
14		SM-8040402-TP	SCREW	(2)
15		SM-8040602-TP	SCREW	(1)
16		A2502-534-000-A	UPPER LOOPER ROD	(1)
17		A2503-776-000	CONNECTING ROD	(1)
18		A2504-776-000	CONNECTING SCREW	(1)
19		A2505-776-000	LOOPER DRIVING ARM	(1)
20		SM-8040402-TP	SCREW	(2)
21		A2510-334-000	UPPER LOOPER OSC. ARM CONNECT	1
22		SM-9050850-SP	SCREW	1
23		A2550-534-000-C	LOOPER BALANCER	1
24		SM-8030402-TP	SCREW	2
25		A2517-634-0A0	LOWER LOOPER SUPPORT ARM ASM.	1
26		A2536-535-000-A	NEEDLE GUARD, REAR	(1)
27		A2517-535-000	LOWER LOOPER SUPPORT ARM	(1)
28		SM-9051400-SN	SCREW	(1)
29		A2526-335-00S	LOWER LOOPER	(1)
30		SM-5030655-SN	SCREW	(1)
31		SM-4030655-SP	SCREW	(2)
32		A2518-534-000	SPACER	(1)
33		A2530-335-0AS	UPPER LOOPER SLIDE STUD ASM.	1
34		SM-8050602-TP	SCREW	(1)
35		SM-8040402-TP	SCREW	(2)
36		A2529-335-000	UPPER LOOPER ARM PIN	1
37		SM-8040402-TP	SCREW	1
38		A2112-204-000	SUB FEED ADJUSTING METAL	4
39		A2561-777-000	HORI. FEED SHAFT METAL, FRONT	1
40		A2531-534-000-A	UPPER LOOPER GUIDE SHAFT	1
41		A2519-634-0A0	UPPER LOOPER THREAD TAKE-UP	1
42		SM-4040655-SN	SCREW	1
43		A2520-634-0A0	LOWER LOOPER THREAD TAKE-UP	1
44		SM-4040655-SN	SCREW	1
45		WP-0820516-SP	WASHER	2
46		A2521-534-000	LOOPER SHAFT	2
47		RE-0600000-KO	E-SHAPED SNAP RING	2
48		A2521-513-0A0	UPPER LOOPER THREAD GUIDE	1
49		A2512-234-000	UPPER LOOPER	1

6. KNIFE COMPONENTS



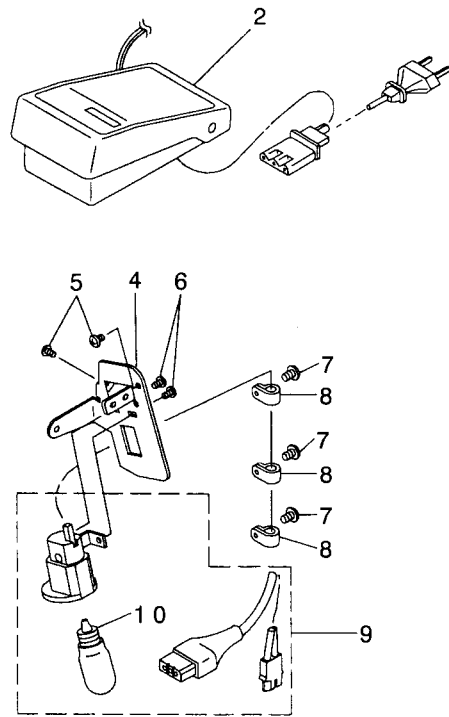
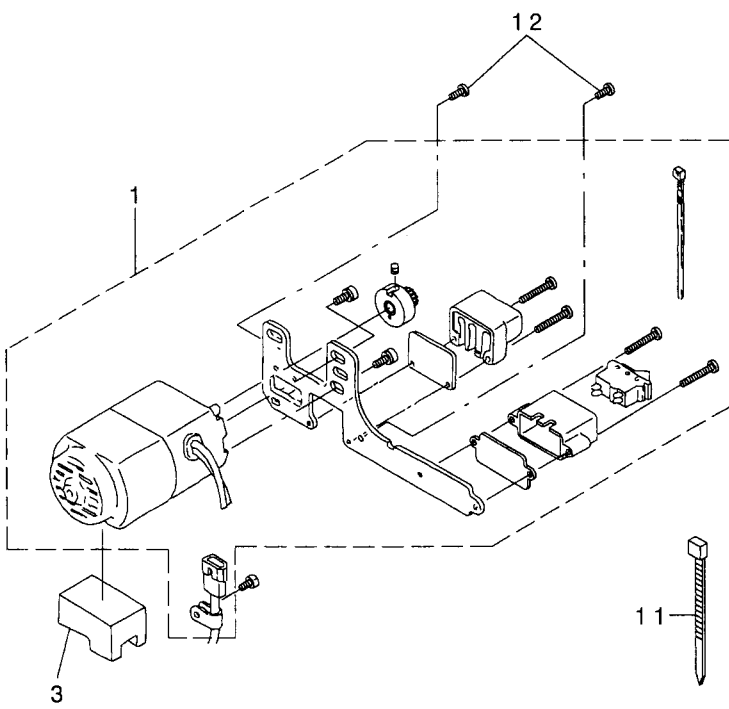
REF.NO	NOTE	PART NO.	DESCRIPTION	Qty
1		A4101-644-0A0	UPPER KNIFE DRIVING ARM ASM.	1
2		SM-9040700-SP	HEXAGONAL BOLT	(1)
3		A4142-335-000	UPPER KNIFE HOLDER SHAFT ASM.	(1)
4		A4103-535-000	UPPER KNIFE HOLDER	(1)
5		A4106-535-000	KNIFE PRESSER SPRING	(1)
6		SM-6051002-TP	SCREW	(1)
7		A4101-503-000-C	UPPER KNIFE DRIVING ARM	(1)
8		SM-8040402-TP	SCREW	(1)
9		A4102-535-000	UPPER KNIFE FORKED ARM	(1)
10		A4107-502-0A0	KNIFE SPRING SUPPORTING PLATE	(1)
11		SM-1030601-SP	SCREW	(1)
12		A4105-776-000-A	UPPER KNIFE TURNING KNOB	(1)
13		SM-8030402-TP	SCREW	(2)
14		A4133-524-000	LOWER KNIFE ADJ.SPRING	1
15		RE-0600000-KO	E-RING 6	1
16		A2112-204-000	SUB FEED ADJUSTING METAL	2
17		WP-0820516-SP	WASHER	1
18		A4108-535-000	UPPER KNIFE SHAFT	1
19		RE-0600000-KO	E-SHAPED SNAP RING	1
20		SL-4030631-SC	SCREW	1
21		SM-4040655-SP	SCREW	1
22		A4130-524-000	LOWER KNIFE ADJ.KNOB	1
23		A4131-524-000	LOWER KNIFE ADJ.SUPPORT	1
24		SM-5030855-SN	SCREW	1
25		A4136-524-000	LOWER KNIFE HOLDER SPRING	1
26		A3205-555-A00	STOPPER	1
27		A4121-524-0AC	LOWER KNIFE HOLDER ASM.	1
28		A4149-535-000	LOWER KNIFE ANGLE ADJ.SUPPORT	1
29		A4145-335-000	LOWER KNIFE	1
30		A4123-335-000	LOWER KNIFE PRESSER PLATE	1
31		SM-4040655-SP	SCREW	1
32		A4124-335-000	LOWER KNIFE SUPPORTING PLATE	1
33		SM-4030655-SP	SCREW	1
34		SM-4040655-SP	SCREW	2
35		A4147-535-000	CHIP GUARD COVER STOPPER	1
36		A4139-535-000	LOWER KNIFE HOLDER SUPPORT	1
37		A4125-524-000	LOWER KNIFE HOLDER SHAFT	1
38		SM-8040402-TP	SCREW	1
39		A4132-524-000	LOWER KNIFE ADJ.KNOB STOPPER	1

7. THREAD TENSION COMPONENTS



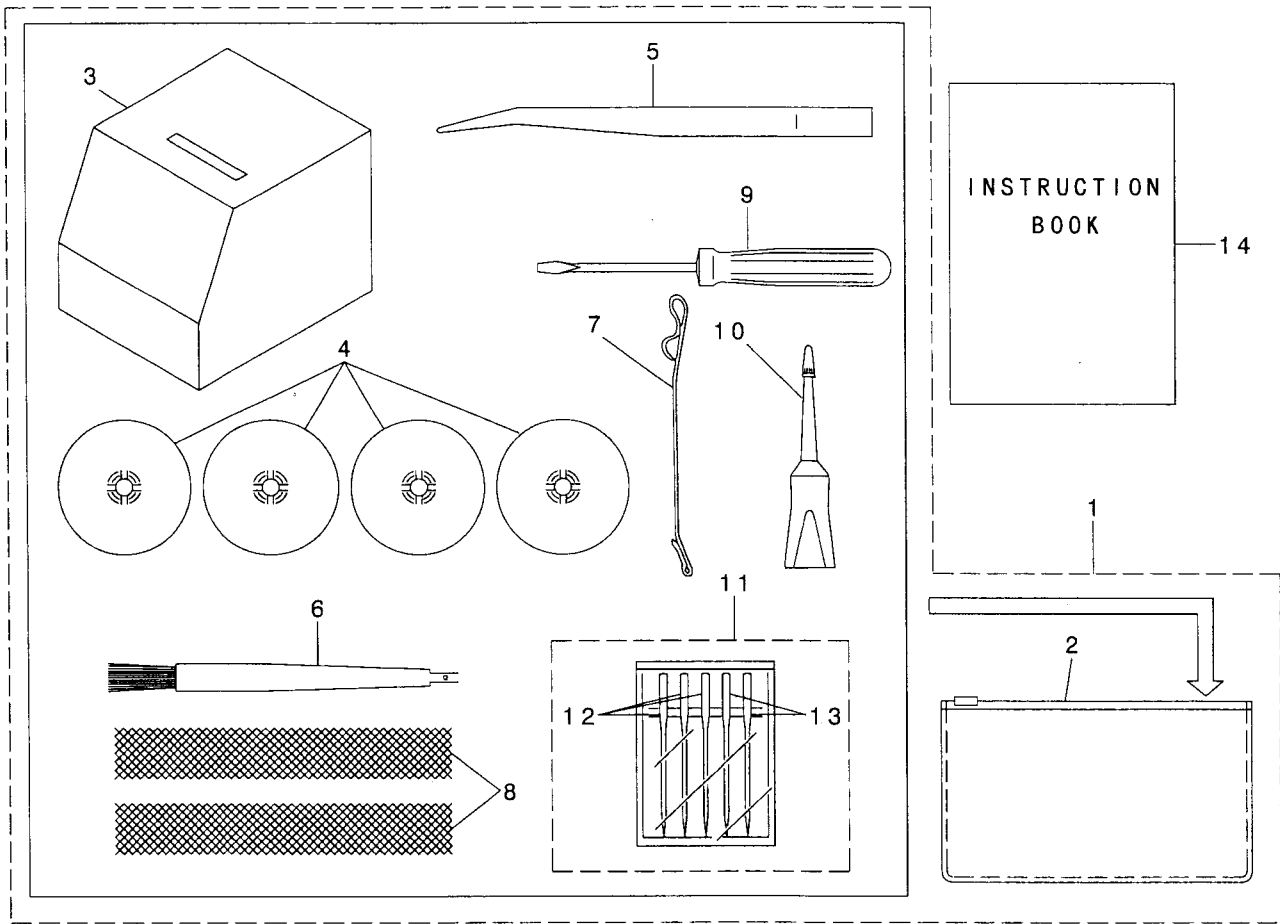
REF.NO	NOTE	PART NO.	DESCRIPTION	Qty
1		A3154-634-000-A	F. COVER INSTALLATION HOLDER	1
2		ST-5031051-SN	TAPPING SCREW	2
3		A3158-634-000	FRONT COVER FIX PLATE(A)	1
4		ST-5031051-SN	TAPPING SCREW	1
5		A3101-644-0A0-A	FRONT COVER ASM.	1
6		A3151-535-000	FRONT COVER NUT	(1)
7		A3103-502-000	NUT	(4)
8		WP-0380516-SD	WASHER	(4)
9		A3107-644-0B0	1 ST THREAD GUIDE	(1)
10		PS-0200202-KH	PIN	(4)
11		A3118-204-000	NEEDLE THREAD GUIDE	(2)
12		A3110-202-000	THREAD GUIDE B	(3)
13		A3157-535-000	THREAD GUIDE, A	(1)
14		A3119-554-0A0	NEEDLE THREAD TAKE-UP COVER	(1)
15		SM-5030855-SN	SCREW	(1)
16		A3157-634-0A0	THREAD GUIDE(C)(UPPER LOOPER)	(1)
17		A3157-634-0AA	THREAD GUIDE(D)(LOWER LOOPER)	(1)
18		A3130-634-000	NEEDLE THREAD GUIDE PLATE	(1)
19		A3102-202-000	NEEDLE THREAD TENSION SHAFT	(4)
20		A3910-634-000-B	TENSION DISC	(8)
21		A3901-634-000	RIGHT NEEDLE SPRING	(1)
22		A3901-634-000	LOWER LOOPER SPRING	(1)
23		A3906-634-000	LEFT NEEDLE SPRING	(1)
24		A3902-634-000	UPPER LOOPER SPRING	(1)
25		A3134-634-000	TENSION NUT	(4)
26		WP-0510516-SD	WASHER	(4)
27		A3104-644-000-A	THREAD ADJUSTING DIAL	(4)
28		A3106-202-000	WAVED WASHER	(4)
29		A3158-535-000	THREAD ADJUSTING SPRING WASHER	(4)
30		A3105-535-000	DIAL PRESER PLATE	(4)
31		A3109-534-000	SCREW	(4)
32		A3900-634-000	THREAD TAKE-UP SPRING	(4)
33		A3112-644-000	SEAL(UPPER LOOPER)	1
34		A3114-644-000	SEAL(LEFT-HAND NEEDLE)	1
35		A3113-644-000	SEAL(LOWER LOOPER)	1
36		A3111-644-000	SEAL(RIGHT-HAND NEEDLE)	1
37		SM-5040655-SN	SCREW	1
38		SM-5041055-SN	SCREW	1
39		SM-5030855-SN	SCREW	1
40		SM-5030655-SN	SCREW	1
41		A9196-524-000	CAUTION LABEL(UL/CSA)	1

8. LAMP & MOTOR CONTROLLER COMPONENTS



REF. NO	NOTE	PART NO.	DESCRIPTION	Qty
1		A6301-644-0BB-A	MOTOR ASM. (VDE)	1
2		A6401-644-0AA-A	FOOT CONT. ASM. (VDE)	1
3		A6003-535-000	MOTOR PROTECTOR	1
4		A6007-634-000	LAMP HOLDER SUPPORT	1
5		SM-4040655-SN	SCREW	2
6		SM-5030555-SC	SCREW	2
7		SM-4040655-SN	SCREW	3
8		HX-0015000-0B	CABLE CLIP	3
9		A6006-634-0AB-A	LAMP HOLDER ASM. (VDE)	1
10		A6013-534-C00	LAMP (VDE/SAA)	(1)
11		EA-9500802-00	CLIP (VDE/SAA/SAUDI)	2
12		SL-5040865-SN	SCREW	2

9. ACCESSORIES PARTS COMPONENTS



REF.NO	NOTE	PART NO.	DESCRIPTION	Qty
1		A9121-644-0A0	ACCESSORY BAG ASM.	1
2		A9121-503-000-A	ACCESSORY BAG WITH ZIPPER	(1)
3		A9102-644-000	VINYL COVER	(1)
4		A1150-980-00A	SPOOL RETAINER	(4)
5		A9109-202-000	TWEEZERS	(1)
6		A9105-334-000	NEEDLE INSERTER TOOL/BRUSH	(1)
7		A9110-335-000	LOOPER THREADER	(1)
8		A9116-335-000	PLASTIC NET	(2)
9		A9107-800-M00	SCREW-DRIVER (SMALL)	(1)
10		A9104-102-0A0	OILER WITH OIL ASM.	(1)
11		A9117-634-0A0	NEEDLE SET WITH CASE	(1)
12		MHA-100B1100	NEEDLE HAX1 #11	(3)
13		MJL-200B1100	NEEDLE JLX2 #11	(2)
14		A9150-64D-00C	MANUAL (CHINA)	1

JUKI®

JUKI CORPORATION
HOUSEHOLD SEWING MACHINE DIV.
8-2-1, KOKURYO-CHO, CHOFU-SHI
TOKYO 182-8655, JAPAN
PHONE : (81)3-3480-5034
Facsimile : (81)3-3480-5037

Copyright © 2003 JUKI CORP.
All rights reserved throughout the world.