

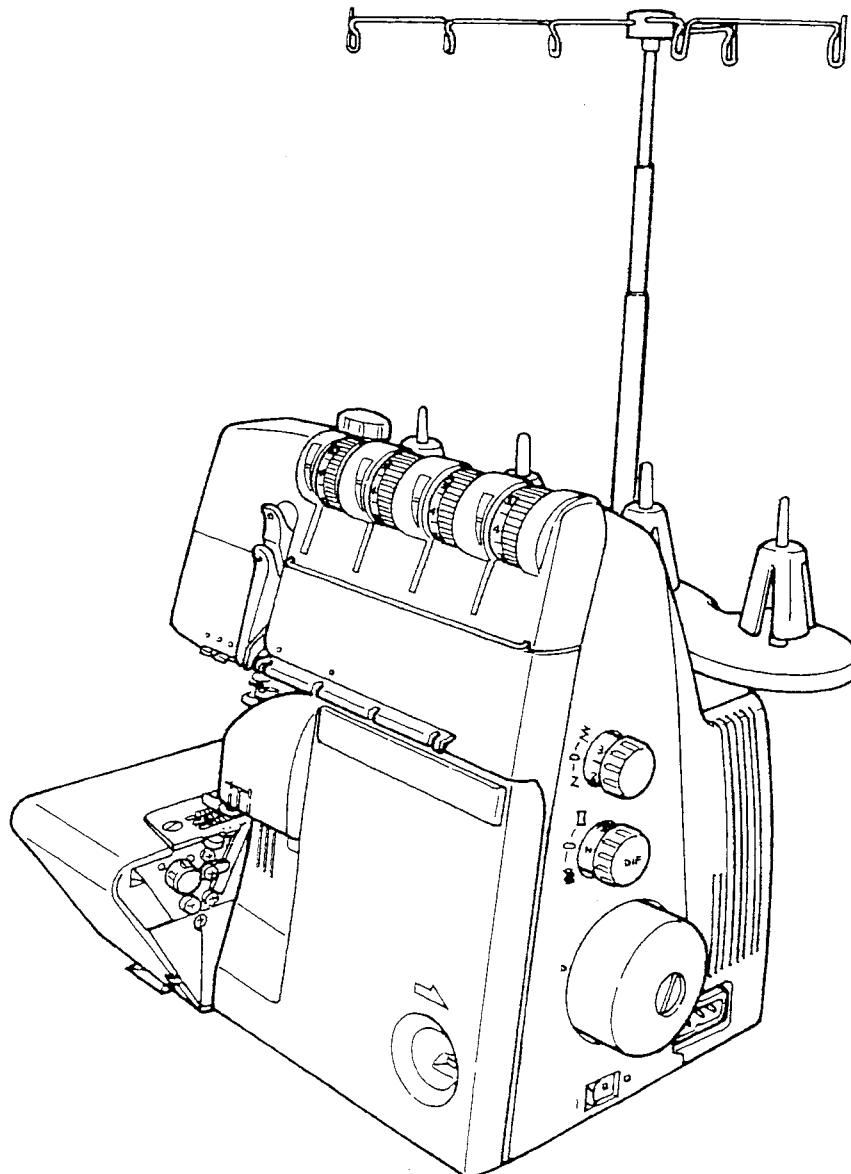
2-Needle, 2/3/4/5-Thread Overlock+Cover Stitch Sewing Machine
Maquina de coser Sobreorilladora de 2 Agujas, 2/3/4/5 Hilos+Punto de Cobertura
Überwendlich-Hähmaschine Mit 2 Nadeln, 2/3/4/5 Fäden+Cover Stitch
Surjeteuse-Raseuse 2 Aiguilles, 2/3/4/5 Fils+Point Enveloppant

MO-735

2-Needle, 2/3/4-Thread Overlock Sewing Machine
Maquina de coser Sobreorilladora de 2 Agujas, 2/3/4 Hilos
Überwendlich-Hähmaschine Mit 2 Nadeln, 2/3/4 Fäden
Surjeteuse-Raseuse 2 Aiguilles, 2/3/4 Fils

MO-734DE

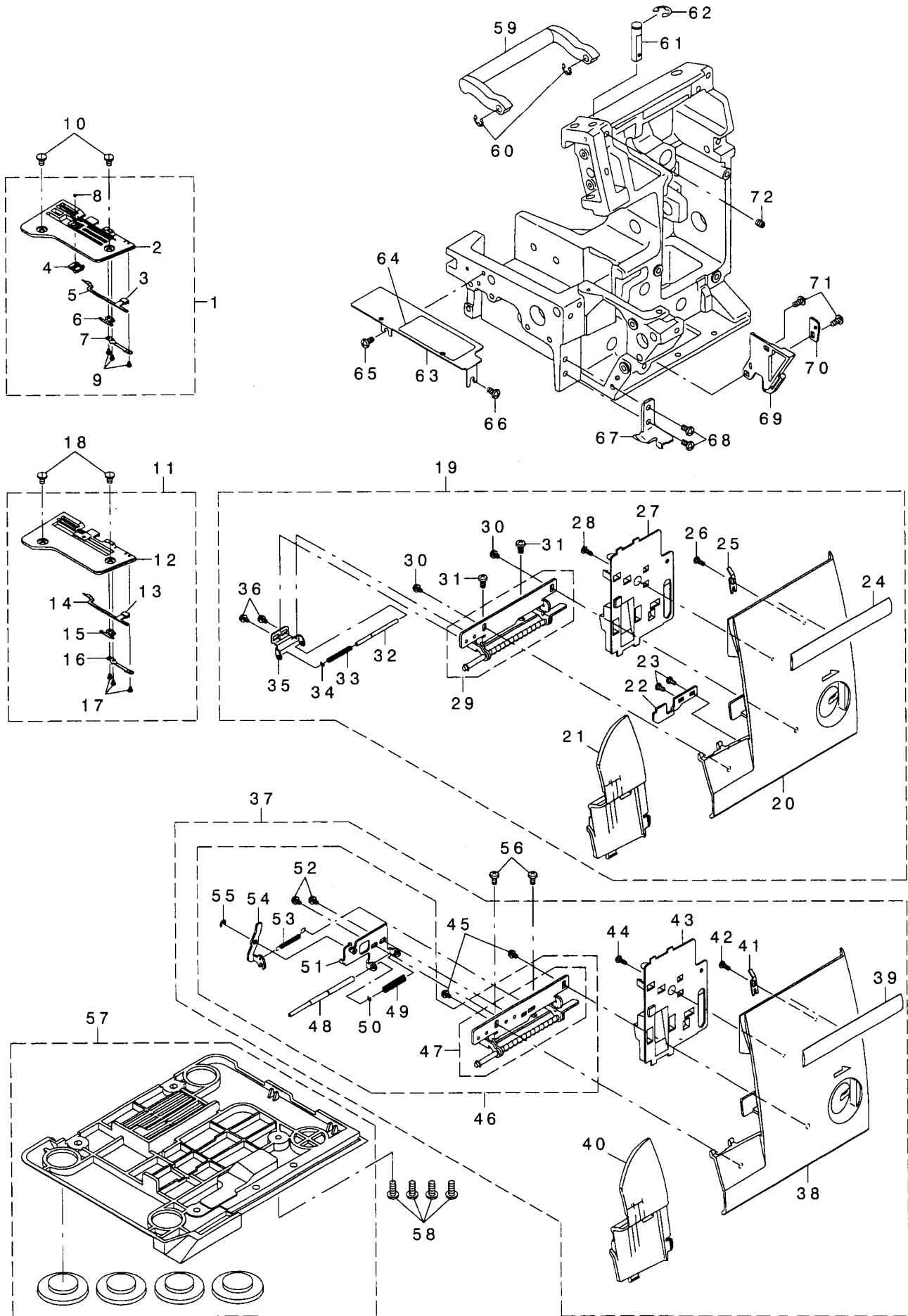
Teilekatalog
Catalogue de pièces détachées
Exploded view of spare parts



CONTENTS

1. COVER COMPONENTS (1)	1
2. COVER COMPONENTS (2)	3
3. FRONT PANEL COMPONENTS (1) (FOR MO-735)	5
4. FRONT PANEL COMPONENTS (2) (FOR MO-734DE)	7
5. MAIN SHAFT & SAFETY SWITCH COMPONENTS	9
6. NEEDLE BAR & PRESSER FOOT COMPONENTS (1)	11
7. NEEDLE BAR & PRESSER FOOT COMPONENTS (2)	13
8. FEED MECHANISM COMPONENTS (1)	15
9. FEED MECHANISM COMPONENTS (2)	17
10. NEEDLE THROWING DEVICE FITTING BASE COMPONENTS (FOR MO-734DE)	19
11. CHAIN LOOPER COMPONENTS (FOR MO-735)	21
12. LOOPER DRIVE COMPONENTS	23
13. KNIFE COMPONENTS	25
14. THREAD TENSION COMPONENTS	27
15. LAMP & TRANSFORMER COMPONENTS	29
16. MOTOR & CONTROLLER COMPONENTS	31
17. ACCESSORIES PARTS COMPONENTS	33
18. OPTIONAL PARTS COMPONENTS	35

1. COVER COMPONENTS (1)

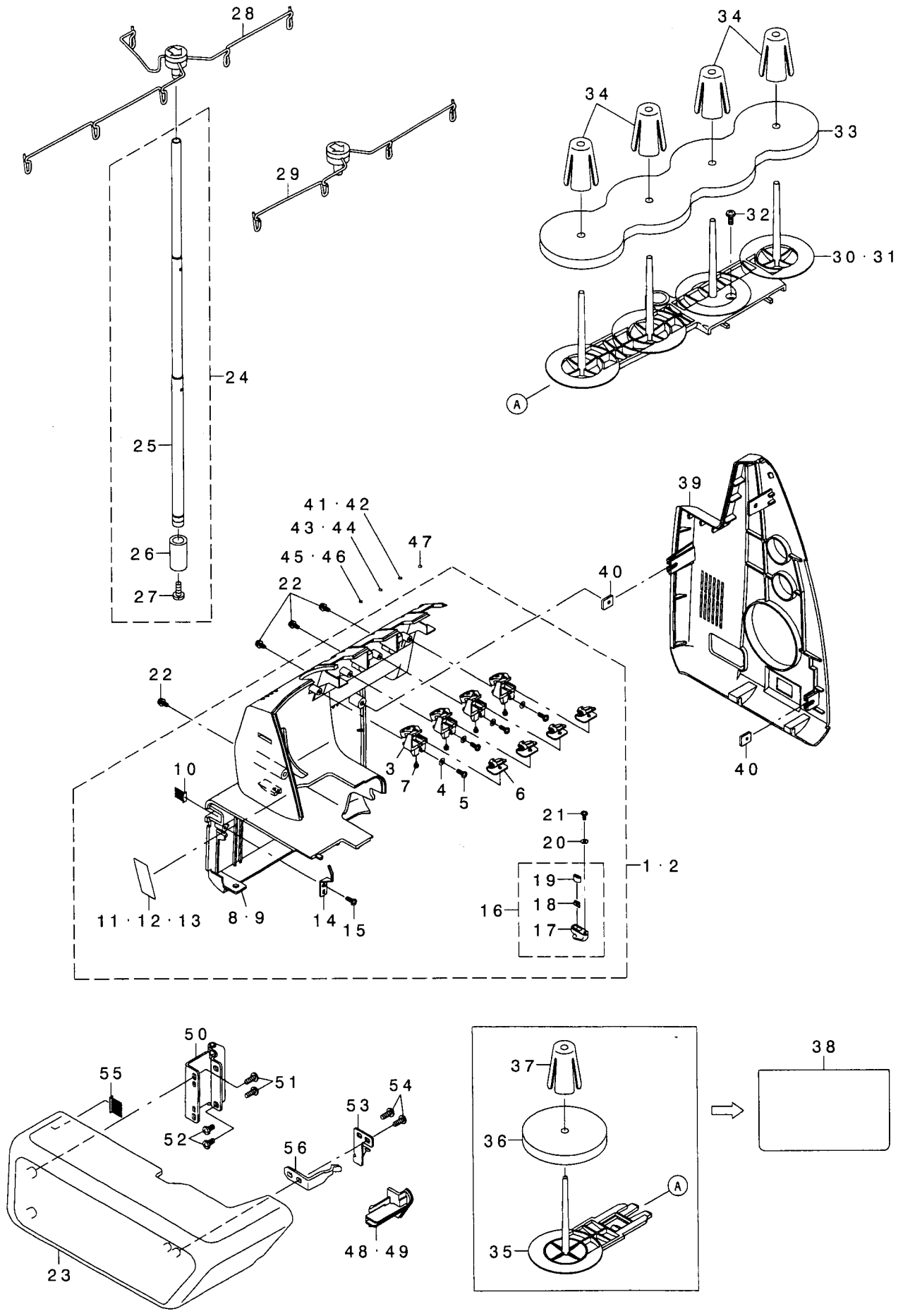


NO.	NOTE	PART NO.	PART DESCRIPTION	Qty	NOTE
1	#01	A1115-130-0B0	THREAD PLATE TOTAL ASM.	1	
2		A1115-130-0A0	THREAD PLATE ASM.	(1)	
3		A1167-315-00AA	STITCH TONGUE CAP	(1)	
4		A1116-130-000	THREAD PLATE GUIDE	(1)	
5		A1136-344-000	THREAD PLATE STITCH TONGUE	(1)	
6		A1131-203-000	CLICK PRESSER SPRING	(1)	
7		A1132-334-000	STITCH TONGUE GUIDE	(1)	
8		A1172-778-000	SCREW	(1)	
9		SM-4020351-SC	SCREW	(3)	
10		A1138-335-000	SCREW	2	
11	#02	A1115-344-0B0A	THREAD PLATE TOTAL ASM.	1	
12		A1115-344-0A0A	THREAD PLATE ASM.	(1)	
13		A1167-315-00AA	STITCH TONGUE CAP	(1)	
14		A1136-334-000	THREAD PLATE STITCH TONGUE	(1)	
15		A1131-203-000	CLICK PRESSER SPRING	(1)	
16		A1132-334-000	STITCH TONGUE GUIDE	(1)	
17		SM-4020351-SC	SCREW	(3)	
18		A1138-335-000	SCREW	2	
19	#02	A1151-734-0B0	LOOPER COVER TOTAL ASM.	1	
20		A1151-735-000	LOOPER COVER	(1)	
21		A1152-735-000	CLICK WASTE COVER	(1)	
22		A1165-734-000	CLICK WASTE COVER PRESSER PLATE	(1)	
23		ST-5030651-SN	SCREW	(3)	
24		A1197-734-000	LOOPER COVER EMBLEM	(1)	
25		A1156-776-000	LOOPER COVER ADJUSTING PLATE	(1)	
26		ST-5030851-SN	SCREW	(1)	
27		A1157-735-000	ACCESSORY PARTS RECEIPT PLATE	(1)	
28		ST-5030851-SN	SCREW	(1)	
29		A1153-11A-0A0	LOOPER COVER HINGE ASM.	(1)	
30		SL-4030631-SC	SCREW	(2)	
31		SM-5040855-SN	SCREW	(2)	
32		A1157-535-000	SAFETY SW PRESSER PIN	(1)	
33		A1159-535-000	LOOPER COVER SPRING	(1)	
34		RE-0200000-K0	E-RING	(1)	
35		A1158-11A-000	SAFETY SW PRESSER PLATE	(1)	
36		SL-4030631-SC	SCREW	(2)	
37	#01	A1151-735-0B0	LOOPER COVER TOTAL ASM.	1	
38		A1151-735-000	LOOPER COVER	(1)	
39		A1197-735-000	LOOPER COVER EMBLEM	(1)	
40		A1152-735-000	CLICK WASTE COVER	(1)	
41		A1156-776-000	LOOPER COVER ADJUSTING PLATE	(1)	
42		ST-5030851-SN	SCREW	(1)	
43		A1157-735-000	ACCESSORY PARTS RECEIPT PLATE	(1)	
44		ST-5030851-SN	SCREW	(1)	
45		SL-4030631-SC	SCREW	(2)	
46		A1153-130-0B0	LOOPER COVER HINGE TOTAL ASM.	(1)	
47		A1153-130-0A0	LOOPER COVER HINGE ASM.	(1)	
48		A1157-130-000	SAFETY SW PRESSER PIN	(1)	
49		A1159-130-000	SAFETY SW PRESSER SPRING	(1)	
50		RE-0200000-K0	E-RING	(1)	
51		A1158-130-0A0	SAFETY SW PRESSER PLATE ASM.	(1)	
52		SL-4030631-SC	SCREW	(2)	
53		A1167-130-000	SAFETY SW RELEASE ARM SPRING	(1)	
54		A1160-130-000	SAFETY SW RELEASE ARM	(1)	
55		RE-0300000-K0	E-RING	(1)	
56		SM-5040855-SN	SCREW	2	
57		A1102-323-0A0	BASE PLATE ASM.	1	
58		SM-5051255-SN	SCREW	4	
59		A1145-110-000	HANDLE	1	
60		RE-0500000-K0	E-RING	1	
61		A1568-110-000	GUIDE PLATE SUPPORT SHAFT	1	
62		RE-0700000-K0	E-RING	2	
63		A1135-535-000	UPPER COVER	1	
64	#01	A1191-130-000	RUPPER COVER THREADING FIGURE	1	
65		SM-5040855-SN	SCREW	1	
66		SM-5040855-SN	SCREW	1	
67		A1164-535-000	CLOTH PLATE PRESSER PLATE	1	
68		SM-5040855-SN	SCREW	2	
69		A1156-110-000	LOOPER COVER GUIDE	1	
70		A2538-554-000	THREAD GUIDE LEVER PLATE	1	
71		SM-4040855-SN	SCREW	2	
72		SM-8050602-TP	SCREW	1	

#01...FOR MO-735

#02...FOR MO-734DE

2. COVER COMPONENTS (2)

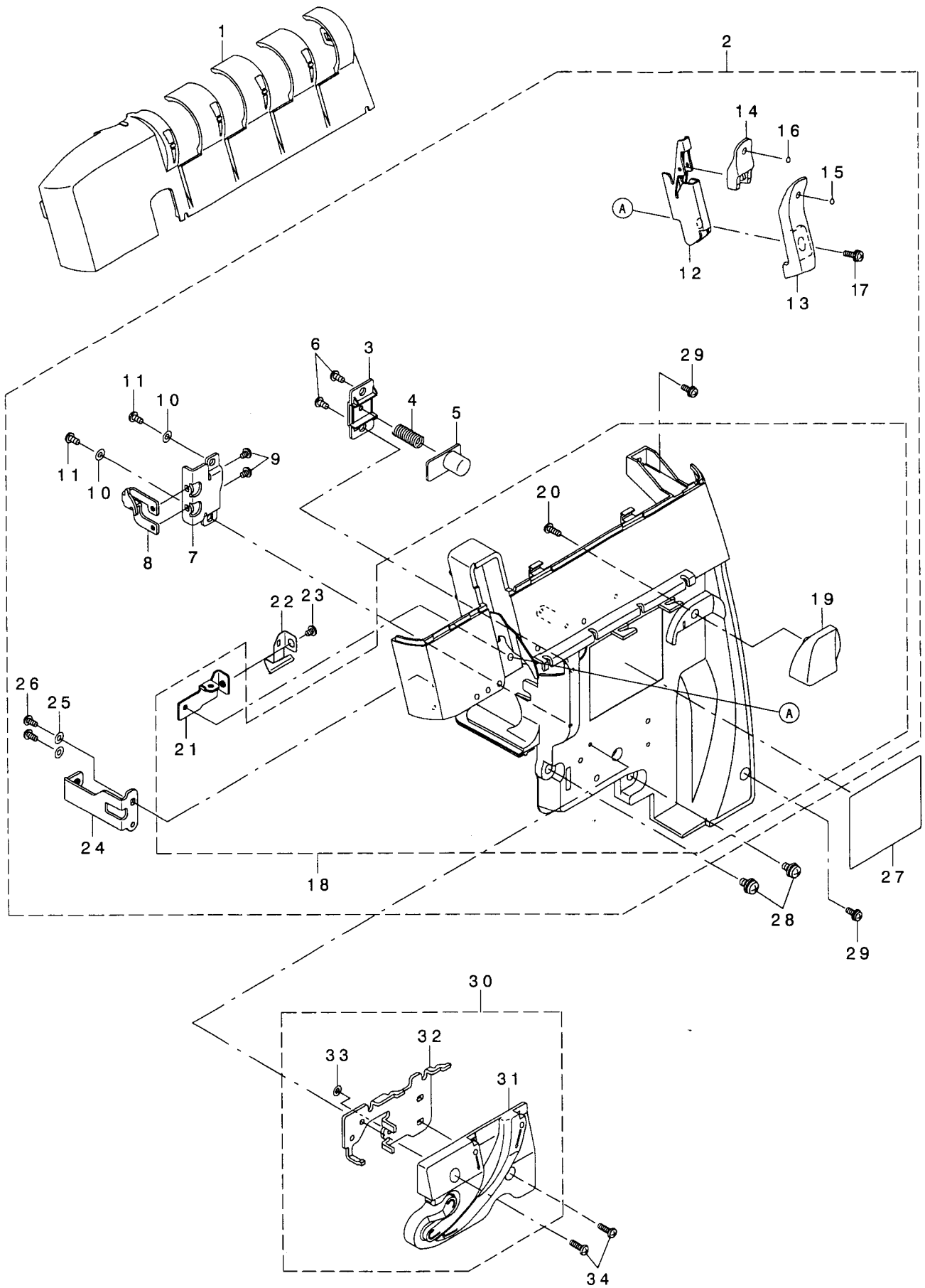


NO.	NOTE	PART NO.	PART DESCRIPTION	Qty	NOTE
1	#01	A1106-735-0A0	REAR COVER ASM.	1	
2	#02	A1106-324-0A0	REAR COVER ASM.	1	
3		A3303-110-000A	FIRST THREAD GUIDE FITTING BASE	(4)	
4		WP-0320501-SC	WASHER	(4)	
5		ST-5030851-SN	SCREW	(4)	
6		A3101-776-0A0	FIRST THREAD GUIDE ASM.	(4)	
7		SL-0020431-SC	SCREW	(4)	
8	#01	A1106-735-A00	REAR COVER	(1)	
9	#02	A1106-344-A00	REAR COVER	(1)	
10	#01	A3185-C09-000	PILE A	(1)	
11	#01	A3121-335-A00A	LABEL (UL / CSA)	(1)	
12	#01	A3123-534-000	LABEL (VDE / SAA)	(1)	
13	#02	A3121-11A-000	LABEL	(1)	
14	#01	A1147-535-000	REAR COVER THREAD GUIDE	(1)	
15	#01	ST-5030851-SN	SCREW	(1)	
16		A1138-110-0A0	THREAD CUTTING BASE ASM.	(1)	
17		A1138-110-000	THREAD CUTTING BASE	(1)	
18		A3120-031-000	THREAD TRIMMER	(1)	
19		A1139-9DC-000B	THREAD CUTTING HOLDER	(1)	
20		WP-0320501-SC	WASHER	(1)	
21		ST-5030651-SN	SCREW	(1)	
22		SL-5030831-SF	SCREW	4	
23		A1104-644-000A	CLOTH PLATE	1	
24		A1120-776-0A0B	THREAD RAISING ROD ASM.	1	
25		A1120-334-000	THREAD RAISING ROD	(1)	
26		A1129-776-000B	THREAD RAISING ROD HOLDER	(1)	
27		SM-5051255-SN	SCREW	(1)	
28	#01	A1121-130-0A0	THREAD GUIDE ASM.	1	
29	#02	A1121-110-0A0	THREAD GUIDE ASM.	1	
30	#02	A1118-776-000B	THREAD RAISING DISH	1	
31	#01	A1118-779-000	THREAD RAISING DISH	1	
32		ST-5041051-SN	SCREW	1	
33		A1121-776-000	FOAM PAD	1	
34		A1120-202-000	SPOOL RETAINER	4	
35	#01	A1118-779-A00	THREAD RAISING DISH	1	
36	#01	A9750-779-000	FOAM PAD	1	
37	#01	A1120-202-000	SPOOL RETAINER	1	
38	#01	J0231-082-A00	ACCESSORY PARTS RECEIPT BAG	1	
39		A1103-324-000	SIDE COVER	1	
40		A3151-535-000	NUT	2	
41	#01	A3155-735-000	SEAL (BLUE / PINK)	1	
42	#02	A3150-335-000	SEAL (BLUE)	1	
43	#01	A3157-130-000	SEAL (GREEN / PINK)	1	
44	#02	A3157-776-000	SEAL (GREEN)	1	
45	#01	A3156-735-000	SEAL (YELLOW / PINK / BROWN)	1	
46	#02	A3158-776-000	SEAL (YELLOW)	1	
47		A3151-335-000	SEAL (RED)	1	
48	#02	A1104-644-A00A	CLOTH PLATE COVER	1	
49	#01	A1104-130-000	CLOTH PLATE COVER	1	
50		A1161-535-0A0	CLOTH PLATE HINGE ASM.	1	
51		ST-5041051-SN	SCREW	2	
52		SL-5040865-SN	SCREW	2	
53	#01	A2154-655-000	RELEASE PLATE	1	
54		ST-5041051-SN	SCREW	2	
55	#01	A3186-C09-000	PILE B	1	
56		A1160-634-000	CLOTH PLATE OPENING SPRING	1	

#01...FOR MO-735

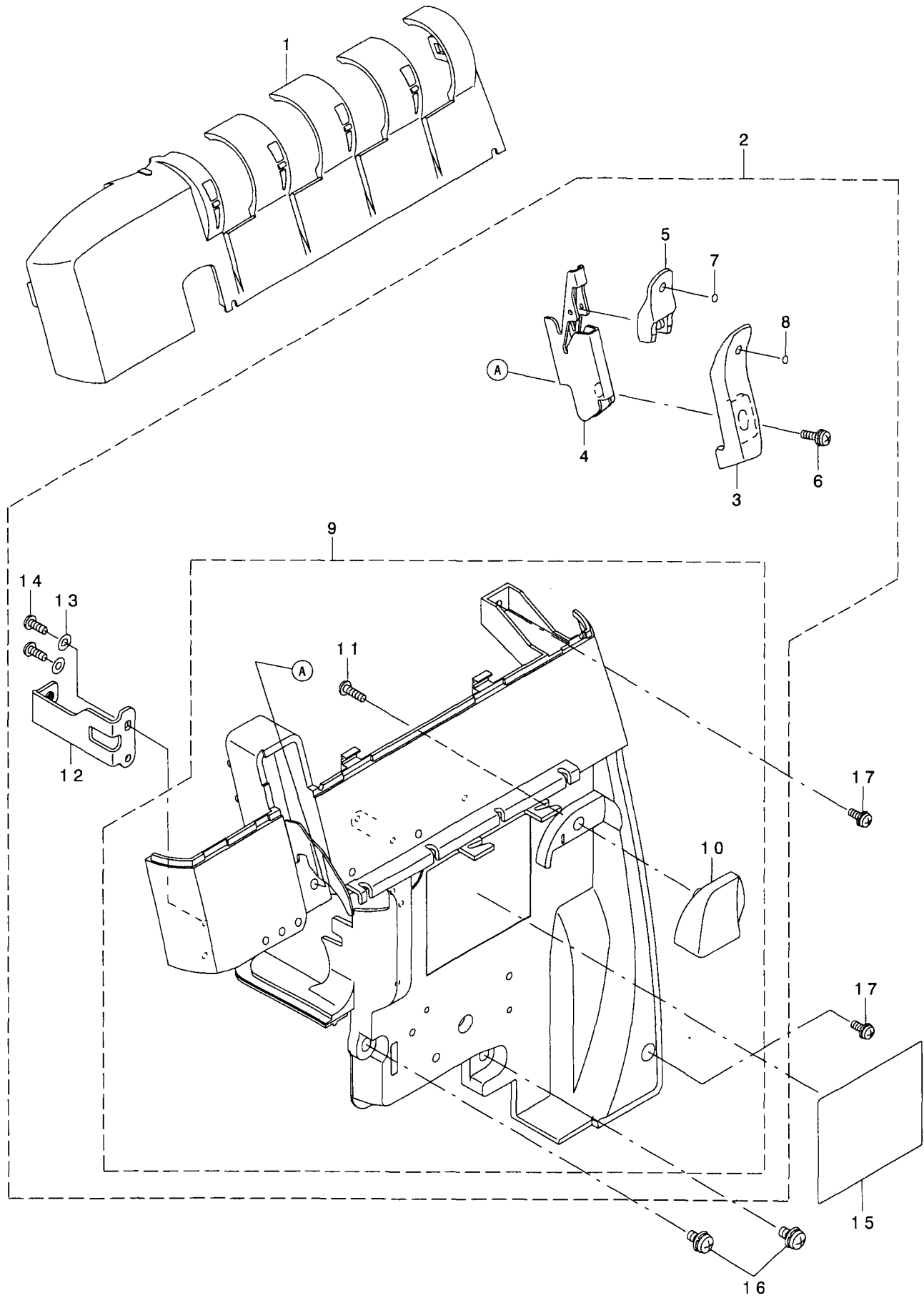
#02...FOR MO-734DE

3. FRONT PANEL COMPONENTS (1) (FOR MO-735)



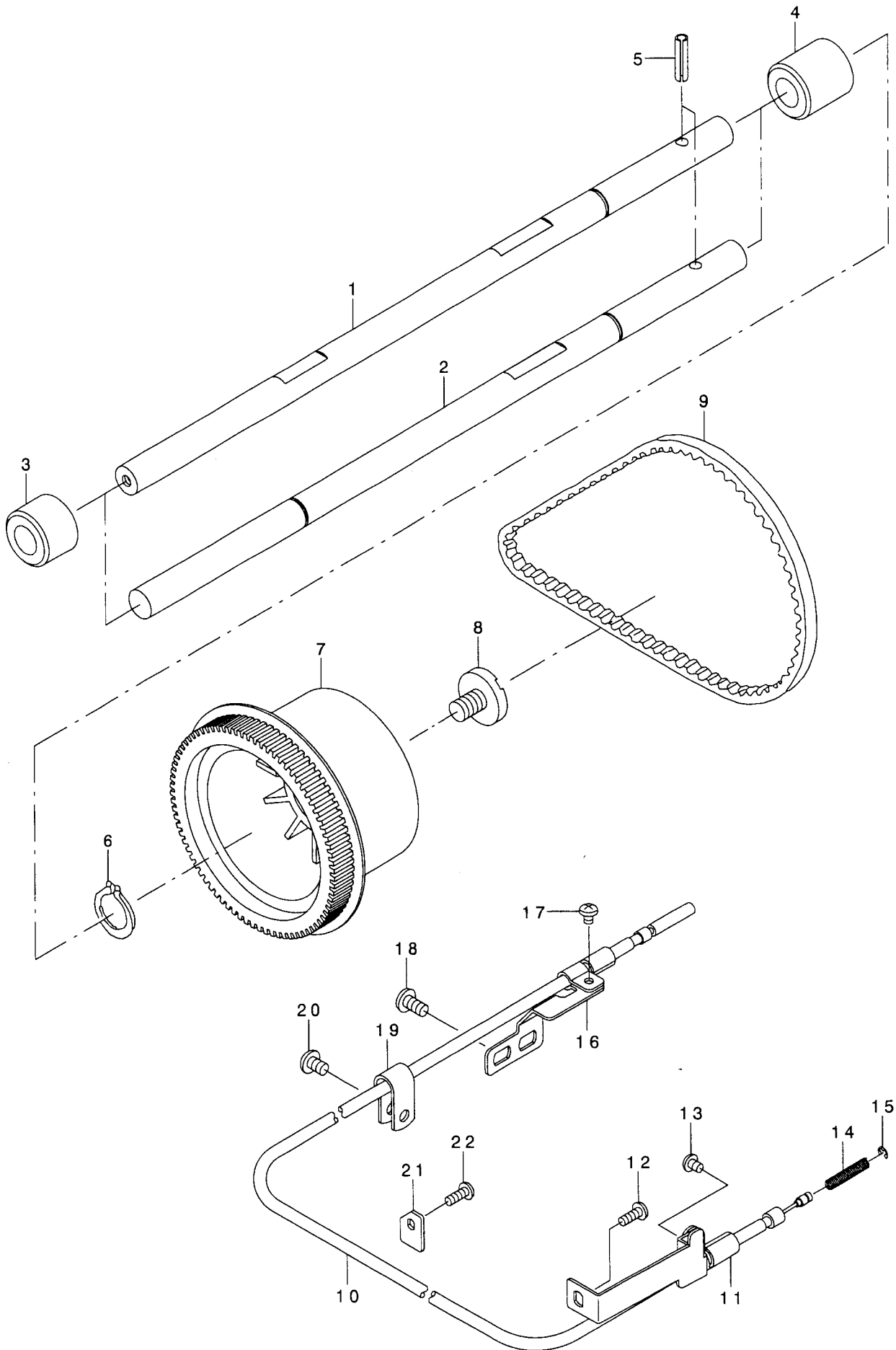
NO.	NOTE	PART NO.	PART DESCRIPTION	Qty	NOTE
1		A3102-735-A00	THREAD TENSION COVER	1	
2		A3101-735-0A0	FRONT COVER ASM.	1	
3		A4119-130-000	RELEASE BUTTON BASE	(1)	
4		A1574-110-000	SPRING	(1)	
5		A4118-130-000	RELEASE BUTTON	(1)	
6		ST-5030651-SN	SCREW	(2)	
7		A4125-130-000	RELEASE PLATE FITTING PLATE	(1)	
8		A4124-130-000A	RELEASE PLATE FITTING PLATE	(1)	
9		SM-5030455-SN	SCREW	(2)	
10		WP-0320501-SC	STOPPER WASHER	(2)	
11		ST-5030651-SN	SCREW	(2)	
12		A3115-110-000	NEEDLE THREAD BALANCE GUIDE	(1)	
13		A3116-110-000A	NEEDLE THREAD BALANCE GUIDE COVER A	(1)	
14		A3117-735-000	NEEDLE THREAD BALANCE GUIDE COVER B	(1)	
15		A3157-776-000	SEAL (GREEN)	(1)	
16		A3156-735-000	SEAL (YELLOW / PINK / BROWN)	(1)	
17		SL-5031031-SN	SCREW	(1)	
18		A3101-735-KA0	FRONT COVER ASM.	(1)	
19		A1152-110-000	RUPPER COVER REGULATION BASE	(1)	
20		ST-5031051-SN	SCREW	(1)	
21		A3118-130-000	NEEDLE THREAD BALANCE FIXING PLATE	(1)	
22		A4117-130-000	STOPPER SPRING	(1)	
23		SM-5030455-SN	SCREW	(1)	
24		A3119-110-000	FRONT COVER FIXING PLATE	(1)	
25		WP-0320501-SC	WASHER	(2)	
26		ST-5030851-SN	SCREW	(2)	
27		A1190-735-000	THREADING FIGURE	1	
28		SL-5040835-SN	SCREW	2	
29		SL-5030831-SF	SCREW	2	
30		A2551-344-0B0A	RUPPER THREAD GUIDE COVER TOTAL ASM.	1	
31		A2551-344-0A0A	RUPPER THREAD GUIDE COVER ASM.	(1)	
32		A2550-344-000A	RUPPER THREAD GUIDE PLATE	(1)	
33		A3162-775-000	STOPPER WASHER	(1)	
34		ST-5031051-SN	SCREW	2	

4. FRONT PANEL COMPONENTS (2) (FOR MO-734DE)



NO.	NOTE	PART NO.	PART DESCRIPTION	Qty	NOTE
1		A3102-734-A00	THREAD TENSION COVER	1	
2		A3101-734-0A0	FRONT COVER ASM.	1	
3		A3116-110-000A	NEEDLE THREAD BALANCE GUIDE COVER A	(1)	
4		A3115-110-000	NEEDLE THREAD BALANCE GUIDE	(1)	
5		A3117-735-000	NEEDLE THREAD BALANCE COVER B	(1)	
6		SL-5031031-SN	SCREW	(1)	
7		A3158-776-000	SEAL (YELLOW)	(1)	
8		A3157-776-000	SEAL (GREEN)	(1)	
9		A3101-734-KA0	FRONT COVER ASM.	(1)	
10		A1152-110-000	RUPPER COVER REGULATION BASE	(1)	
11		ST-5031051-SN	SCREW	(1)	
12		A3119-110-000	FRONT COVER FIXING PLATE	(1)	
13		WP-0320501-SC	WASHER	(2)	
14		ST-5030851-SN	SCREW	(2)	
15		A1190-734-000	THREADING FIGURE	1	
16		SL-5040835-SN	SCREW	2	
17		SL-5030831-SF	SCREW	2	

5. MAIN SHAFT & SAFETY SWITCH COMPONENTS

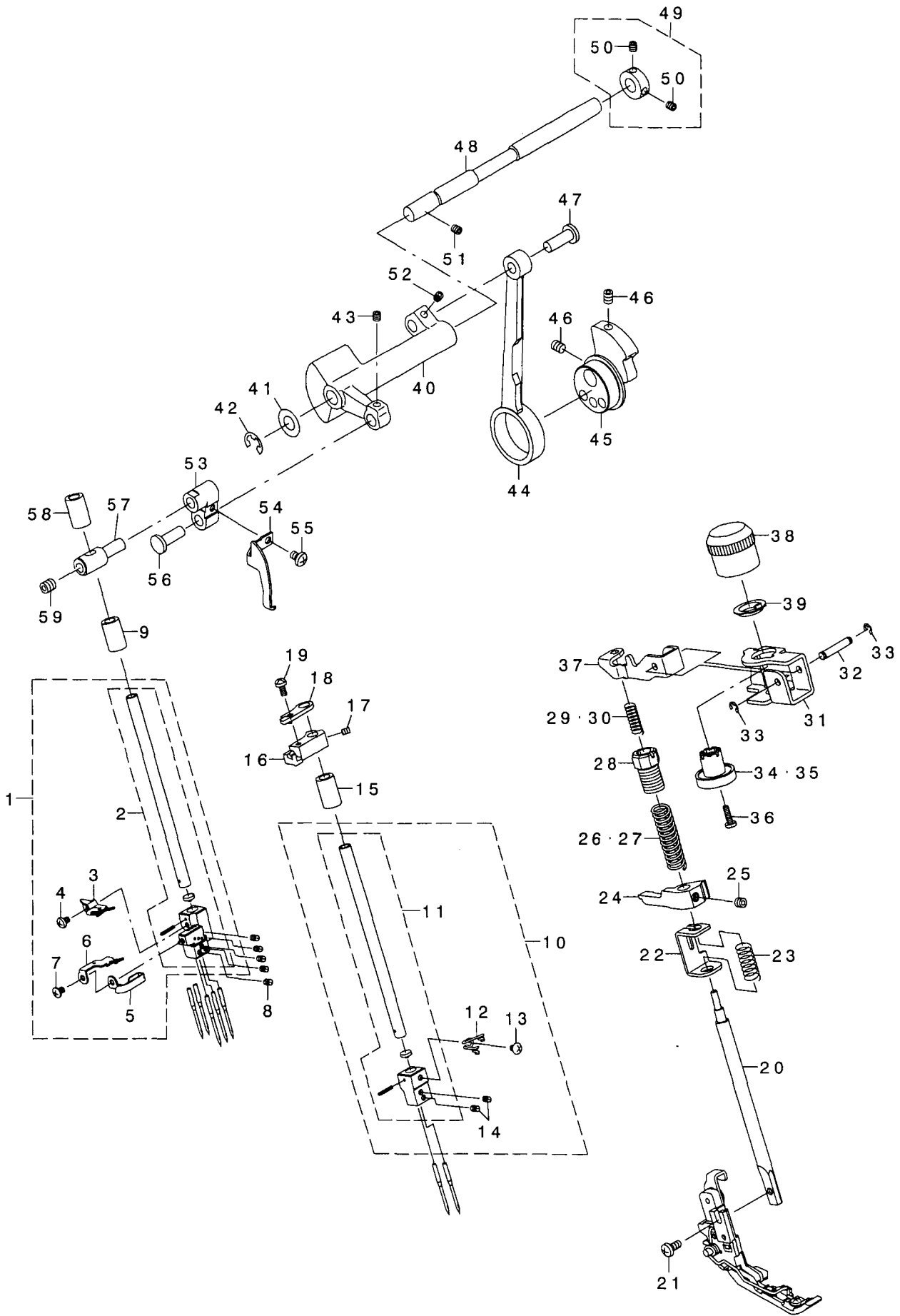


NO.	NOTE	PART NO.	PART DESCRIPTION	Qty	NOTE
1	#01	A1201-130-000	MAIN SHAFT	1	
2	#02	A1201-344-000	MAIN SHAFT	1	
3		A1206-335-000	MAIN SHAFT BUSHING , FRONT	1	
4		A1206-202-000	MAIN SHAFT BUSHING , REAR	1	
5		PS-0400222-KH	PIN	1	
6		A1206-102-000	C-RING	1	
7		A1202-323-000	HANDWHEEL	1	
8		A1230-500-000A	HANDWHEEL SETSCREW	1	
9		A1205-634-000	TIMING BELT	1	
10		A6026-335-EA0	WIRE ASM.	1	
11		A6025-11A-000A	WIRE HOLDER (2)	1	
12		ST-5030851-SN	SCREW	1	
13		SM-4030455-SN	SCREW	1	
14		A6033-535-000	WIRE SPRING	1	
15		RE-0200000-K0	E-RING	1	
16		A6021-11A-000	WIRE HOLDER (1)	1	
17		SM-4030455-SN	SCREW	1	
18		SM-5040855-SN	SCREW	2	
19		HX-0015000-0B	CABLE CLIP	1	
20		SM-4040655-SN	SCREW	1	
21		A6036-535-000	WIRE GUIDE	1	
22		ST-5030851-SN	SCREW	1	

#01...FOR MO-735

#02...FOR MO-734DE

6. NEEDLE BAR & PRESSER FOOT COMPONENTS (1)

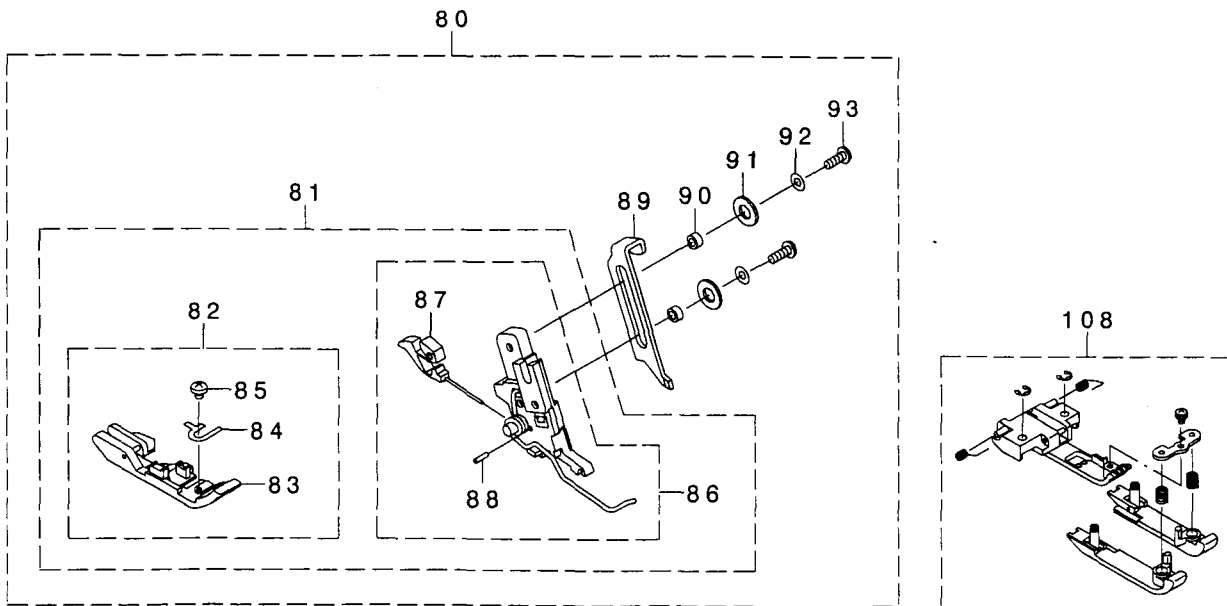
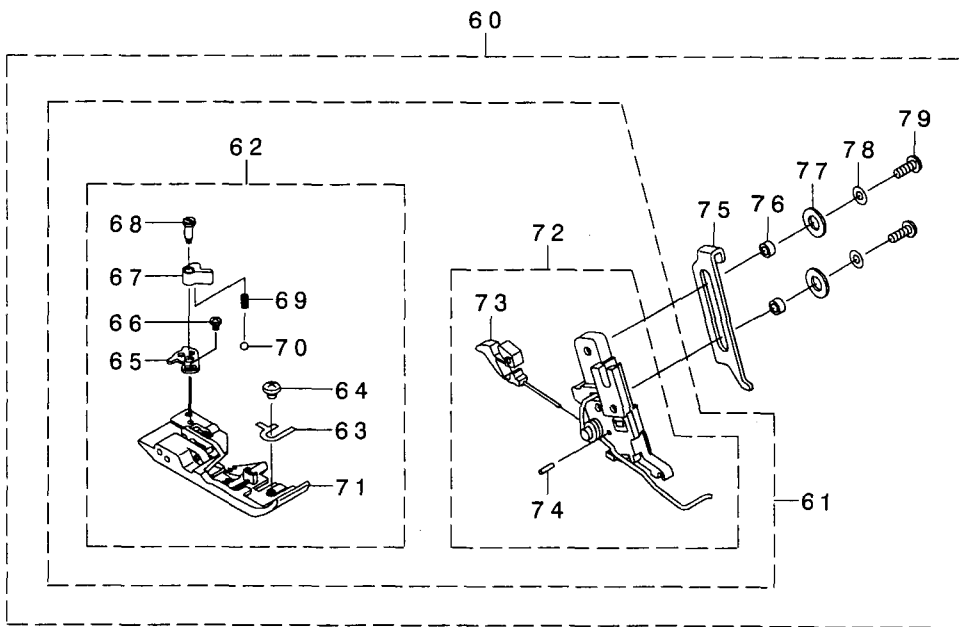
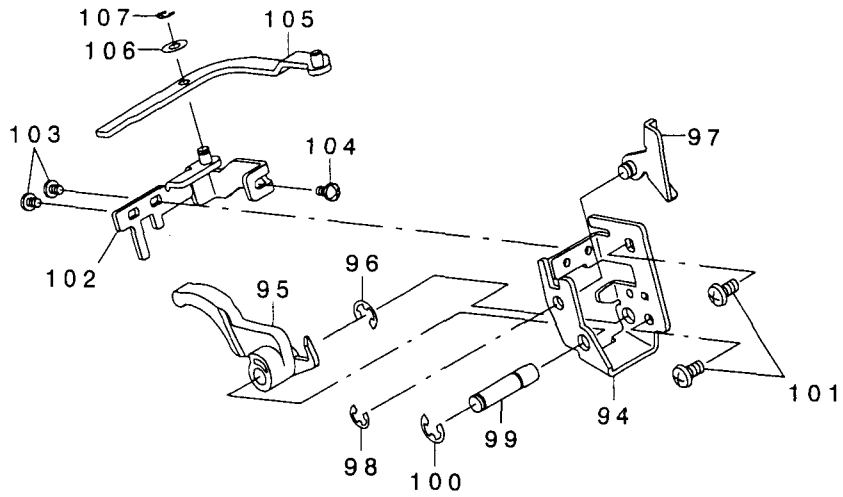


NO.	NOTE	PART NO.	PART DESCRIPTION	Qty	NOTE
1	#01	A1406-130-0B0	NEEDLE BAR TOTAL ASM.	1	
2	#01	A1406-130-0A0	NEEDLE BAR ASM.	(1)	
3	#01	A1411-130-000	THREAD GUIDE B	(1)	
4	#01	SM-4030455-SN	SCREW	(1)	
5	#01	A1414-130-0A0	THREAD TAKE-UP BASE ASM.	(1)	
6	#01	A1410-130-000	THREAD GUIDE A	(1)	
7	#01	SM-0030401-SC	SCREW	(1)	
8	#01	A1416-777-000	SCREW	5	
9	#01	A1407-102-000	NEEDLE BAR BUSHING	1	
10	#02	A1406-534-0B0	NEEDLE BAR TOTAL ASM.	1	
11	#02	A1406-534-0A0	NEEDLE BAR ASM.	(1)	
12	#02	A1409-534-000	NEEDLE BAR THREAD GUIDE	(1)	
13	#02	SM-4030455-SN	SCREW	(1)	
14	#02	A1416-777-000	SCREW	(2)	
15	#02	A1407-102-000	NEEDLE BAR BUSHING	1	
16	#02	A1420-11A-000	THREADING ADJUSTING BASE A	1	
17	#02	SM-8030402-TP	SCREW	1	
18	#02	A1421-11A-000	THREADING ADJUSTING BASE	1	
19	#02	SM-5030655-SN	SCREW	1	
20		A1507-110-000	PRESSER BAR	1	
21		SM-5040855-SN	SCREW	1	
22		A1522-110-000	PRESSER FLOAT BASE	1	
23		A1523-110-000	SPRING	1	
24		A1502-110-000	PRESSER BAR GUIDE BRACKET	1	
25		SM-8050402-TP	SCREW	1	
26	#01	A1502-130-000	PRESSER SPRING	1	
27	#02	A1501-535-000	PRESSER SPRING	1	
28		A1528-110-000	SCREW	1	
29	#01	A1508-130-000	SPRING	1	
30	#02	A1508-110-000	SPRING	1	
31		A1525-110-000	ADJUSTING BASE	1	
32		A1527-110-000	PRESSER ADJUSTING ARM SHEFT	1	
33		RE-0300000-K0	E-RING	2	
34	#01	A1511-130-000	ADJUSTING CAM	1	
35	#02	A1511-110-000	ADJUSTING CAM	1	
36		ST-5031051-SN	SCREW	1	
37		A1526-110-000	ADJUSTING ARM	1	
38		A1510-110-000A	ADJUSTING PICK-UP	1	
39		A4132-535-000	LOWER KNIFE ADJUSTING BASE BUSHING	1	
40		A1402-110-000	NEEDLE BAR CRANK	1	
41		WP-0820516-SP	WASHER	1	
42		RE-0600000-K0	E-RING	1	
43		SM-8040402-TP	SCREW	1	
44		A1403-335-000A	NEEDLE BAR CRANK ROD	1	
45		A1401-535-000A	NEEDLE BAR DRIVING CAM	1	
46		SM-8050602-TP	SCREW	2	
47		A1403-102-000	CONNECTING PIN	1	
48		A1404-535-000	NEEDLE BAR DRIVING SHAFT	1	
49		A1414-502-0A0	THRUST COLLAR ASM.	1	
50		SM-8040402-TP	SCREW	(2)	
51		SM-8040402-TP	SCREW	1	
52		SM-8040402-TP	SCREW	1	
53		A1412-535-000	NEEDLE BAR LINK	1	
54		A1412-110-000	NEEDLE THREAD TAKE-UP	1	
55		SM-4040655-SN	SCREW	1	
56		A1403-102-000	CONNECTING PIN	1	
57		A1411-335-000	NEEDLE BAR GUIDE BRACKET	1	
58		A1407-102-000	NEEDLE BAR BUSHING	1	
59		SM-8060602-TP	SCREW	1	

#01...FOR MO-735

#02...FOR MO-734DE

7. NEEDLE BAR & PRESSER FOOT COMPONENTS (2)

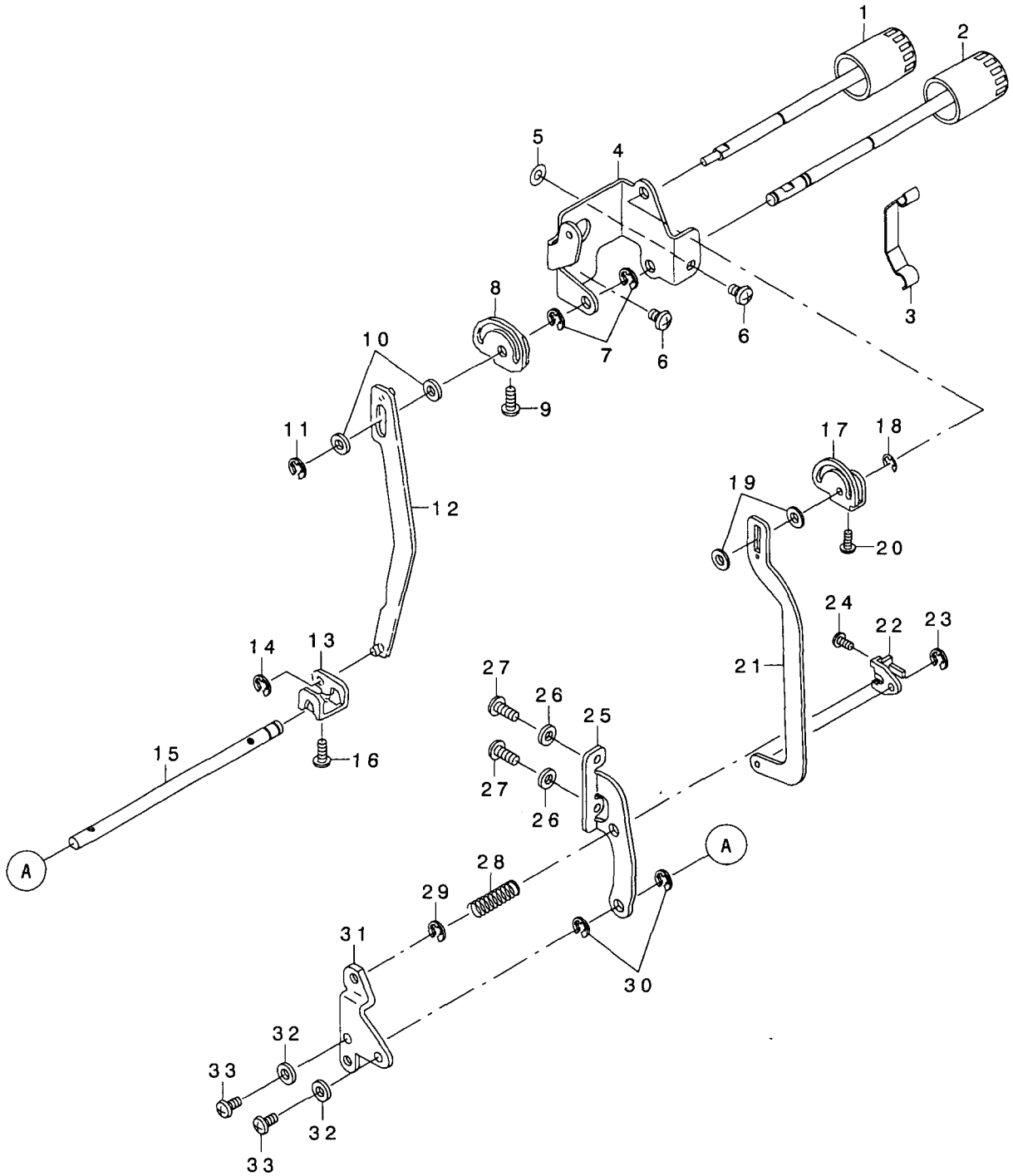


NO.	NOTE	PART NO.	PART DESCRIPTION	Qty	NOTE
60	#01	A1501-130-0D0	PRESSER TOTAL ASM.	1	
61	#01	A1501-130-0C0	PRESSER TOTAL ASM.	(1)	
62	#01	A1501-130-0B0	PRESSER ASM.	(1)	
63	#01	A1550-334-000	TAPE GUIDE PLATE	(1)	
64	#01	SM-4030301-SC	SCREW	(1)	
65	#01	A1505-130-000	TAPE GUIDE PLATE	(1)	
66	#01	SM-4020351-SC	SCREW	(1)	
67	#01	A1504-130-000	C/S LIFT LIVER	(1)	
68	#01	A1507-130-000	C/S LIFT LIVER SHAFT	(1)	
69	#01	A1509-130-000	C/S LIFT LIVER FIXING SPRING	(1)	
70	#01	A1512-130-000	C/S LIFT LIVER FIXING SPHERE	(1)	
71	#01	A1501-130-0A0	PRESSER COMPL.	(1)	
72	#01	A1514-130-0B0	PRESSER FOOT ASM.	(1)	
73	#01	A1518-335-000	PRESSER LIVER	(1)	
74	#01	A1508-134-000	PIN	(1)	
75	#01	A1520-130-000	PRESSER FLOAT LINK	(1)	
76	#01	A1521-110-0C0	PRESSER FLOAT LINK COLLAR	(2)	
77	#01	WP-0531000-SC	WASHER	(2)	
78	#01	WP-0320501-SC	WASHER	(2)	
79	#01	SM-5030855-SN	SCREW	(2)	
80	#02	A1501-12A-0D0	PRESSER TOTAL ASM.	1	
81	#02	A1501-344-0C0	PRESSER TOTAL ASM.	(1)	
82	#02	A1501-334-0B0	PRESSER ASM.	(1)	
83	#02	A1501-344-0A0	PRESSER COMPL.	(1)	
84	#02	A1550-334-000	TAPE GUIDE PLATE	(1)	
85	#02	SM-4030301-SC	SCREW	(1)	
86	#02	A1514-110-0B0A	PRESSER FOOT ASM.	(1)	
87	#02	A1518-335-000	PRESSER LIVER	(1)	
88	#02	A1508-134-000	PIN	(1)	
89	#02	A1520-130-000	PRESSER FLOAT LINK	(1)	
90	#02	A1521-110-00C	PRESSER FLOAT LINK COLLAR	(2)	
91	#02	WP-0531000-SC	WASHER	(2)	
92	#02	WP-0320501-SC	WASHER	(2)	
93	#02	SM-5030855-SN	SCREW	(2)	
94		A1504-110-000A	LIFTING LEVER SET PLATE	1	
95		A1506-130-000	LIFTING LEVER	1	
96		RE-0500000-K0	E-RING	1	
97		A1561-110-0A0	DRIVING ARM ASM.	1	
98		RE-0400000-K0	E-RING	1	
99		A1505-110-000	PRESSER LIFTING LEVER SHAFT	1	
100		RE-0500000-K0	E-RING	1	
101		SM-5040855-SN	SCREW	2	
102		A1564-324-0A0	PRESSER ROD HOLDER GUIDE PLATE	1	
103		SM-5030455-SN	SCREW	2	
104		SM-5030655-SN	SCREW	1	
105		A1570-110-0A0	DISH FLOAT LINK ASM.	1	
106		WP-0430801-SC	WASHER	1	
107		RE-0300000-K0	E-RING	1	
108	#01	A1551-130-0B0	COVER RING PRESSER TOTAL ASM.	1	

#01...FOR MO-735

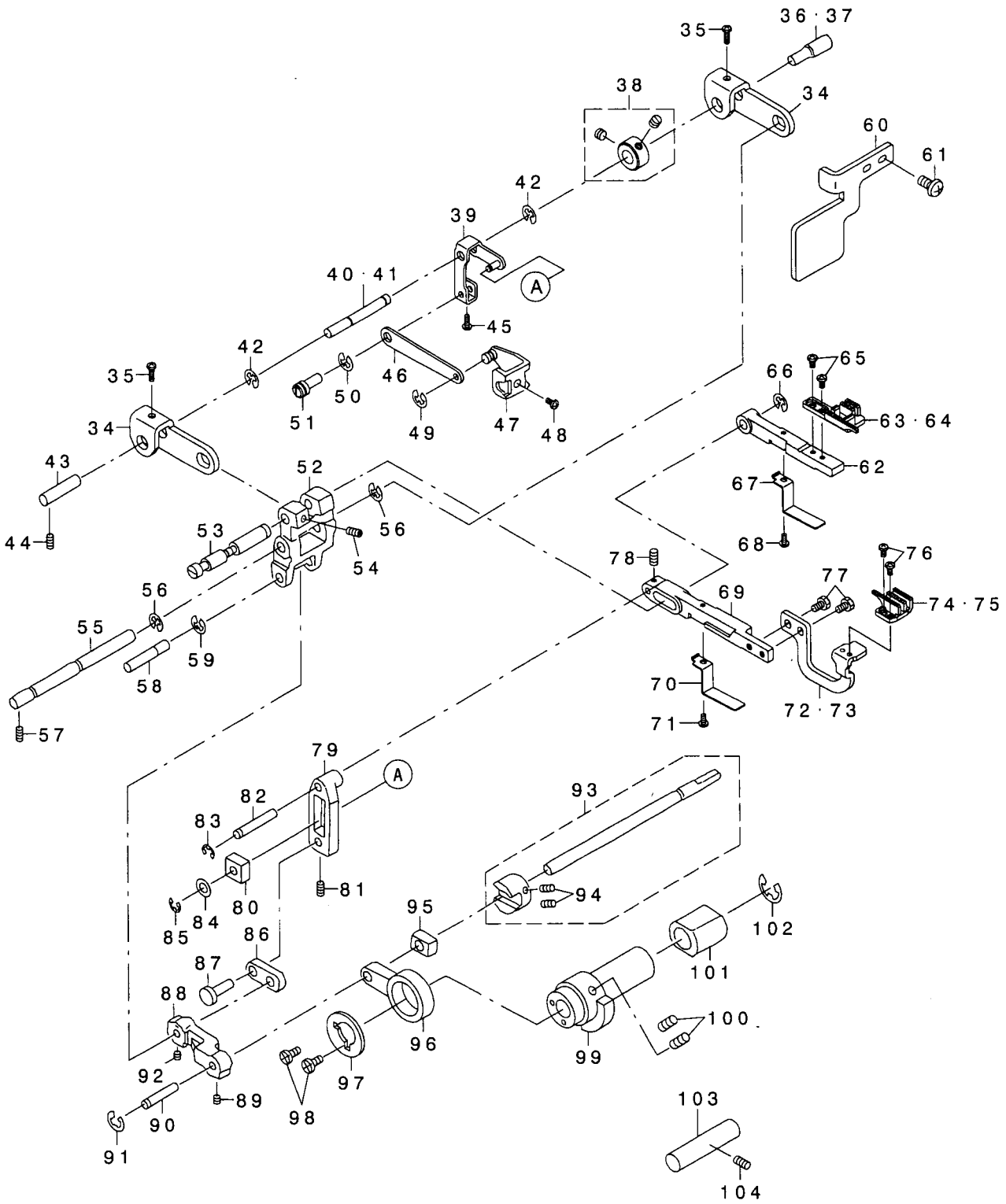
#02...FOR MO-734DE

8. FEED MECHANISM COMPONENTS (1)



NO.	NOTE	PART NO.	PART DESCRIPTION	Qty	NOTE
1		A1601-110-000A	MAIN FEED ADJUSTING KNOB	1	
2		A1602-110-000A	DIF.FEED ADJUSTING KNOB	1	
3		A1611-655-000	SHAFT PRESSING PLATE	1	
4		A1610-655-000	KNOB SETTING PLATE	1	
5		A1614-655-000	WASHER	1	
6		SM-5040655-SN	SCREW	2	
7		RE-0400000-K0	E-RING	2	
8		A1615-534-000	MAIN FEED ADJUSTING CAM	1	
9		SM-5030855-SN	SCREW	1	
10		A1614-534-D00	WASHER	2	
11		RE-0400000-K0	E-RING	1	
12		A1620-534-DA0	DIF.FEED ADJUSTING LINK (B) ASM.	1	
13		A1655-534-D00	DIF.FEED ADJUSTING ARM(C)	1	
14		RE-0300000-K0	E-RING	1	
15		A1662-655-000A	DIF.FEEDD ADJUSTING SHAFT	1	
16		SM-5030655-SN	SCREW	1	
17		A1613-355-000	DIF.FEED ADJUSTING CAM	1	
18		RE-0400000-K0	E-RING	1	
19		A1614-655-000	WASHER	2	
20		SM-5030855-SN	SCREW	1	
21		A1619-655-0A0	MAIN FEED ADJUSTING LINK ASM.	1	
22		A1630-534-D00	MAIN FEED ADJUSTING ARM	1	
23		RE-0300000-K0	E-RING	1	
24		SM-5030655-SN	SCREW	1	
25		A1634-655-000A	ADJUSTING SHAFT PLATE	1	
26		WP-0430801-SC	WASHER	2	
27		SM-5041055-SN	SCREW	2	
28		A1633-534-D00	SPRING	1	
29		RE-0500000-K0	E-RING	1	
30		RE-0500000-K0	E-RING	2	
31		A1635-534-D00	FEED ADJUSTING SHAFT HOLDER	1	
32		A1636-534-D00	WASHER	2	
33		SM-5041055-SN	SCREW	2	

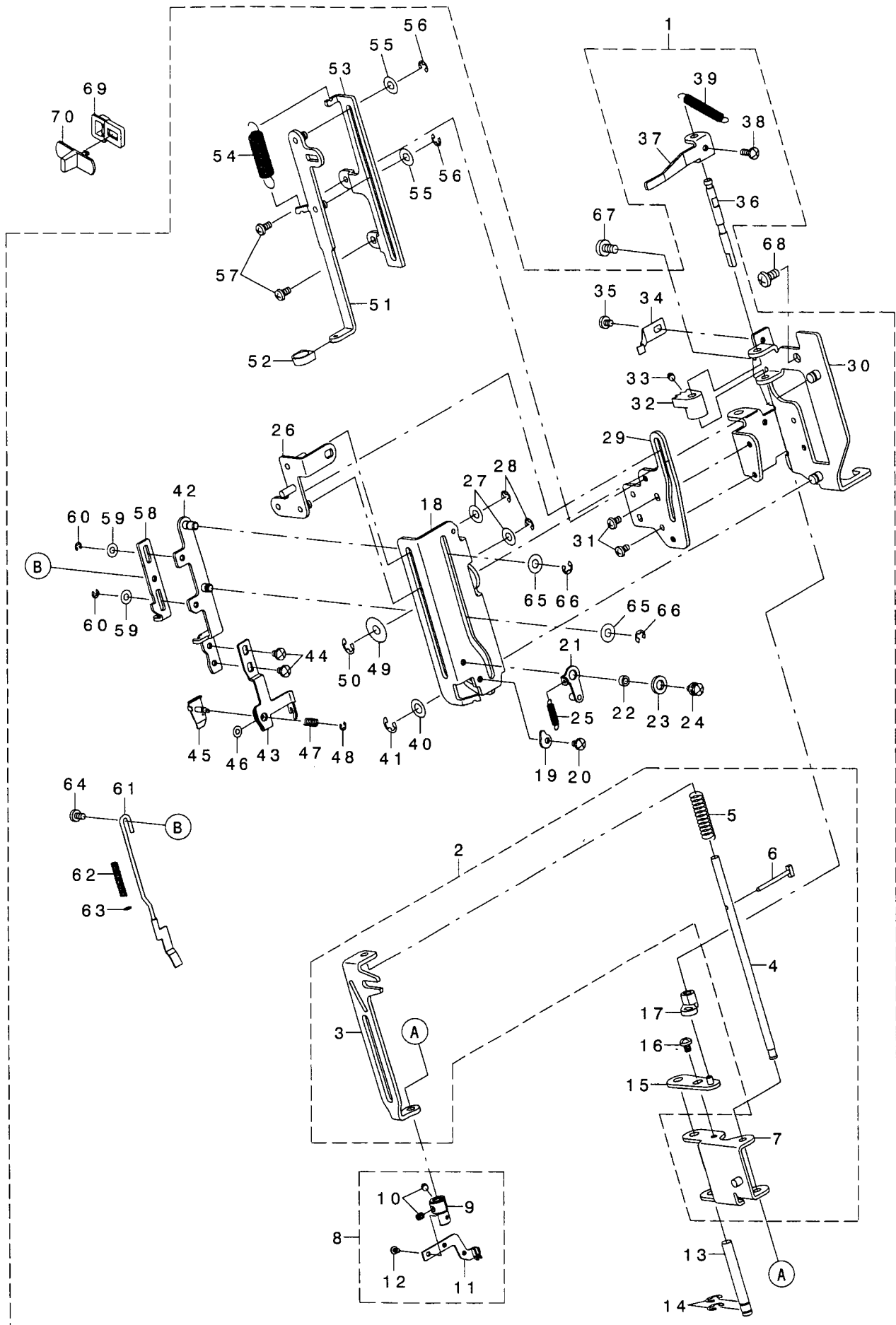
9. FEED MECHANISM COMPONENTS (2)



NO.	NOTE	PART NO.	PART DESCRIPTION	Qty	NOTE
34		A1660-534-D00A	DIF.FEED SHAFT HOLDER	2	
35		SM-5031001-SN	SCREW	2	
36	#01	A1664-655-000	DIF.FEED SHAFT(B)	1	
37	#02	A1664-534-D00	DIF.FEED SHAFT(B)	1	
38	#01	A1663-776-0A0	DIF.FEED ADJUSTING COLLAR ASM.	1	
39		A1661-800-0A0	DIF.FEED ADJUSTING ARM (A) ASM.	1	
40	#01	A1659-534-D00A	SHAFT	1	
41	#02	A1660-800-000	SHAFT	1	
42	#02	RE-0500000-K0	E-RING	2	
43		A1663-534-D00	DIF.FEED SHAFT (A)	1	
44		SM-8040402-TP	SCREW	1	
45		SM-5030855-SN	SCREW	1	
46		A1653-776-000	DIF.FEED ADJUSTING LINK	1	
47		A1657-534-DA0	DIF.FEED ADJUSTING ARM(B) ASM.	1	
48		SM-5030655-SN	SCREW	1	
49		RE-0300000-K0	E-RING	1	
50		RE-0500000-K0	E-RING	1	
51		A1654-776-000A	DIF.FEED ADJUSTING PIN	1	
52		A1645-534-D00	MAIN FEED ARM	1	
53		A1646-534-D00	BASE SUPPORTING SHAFT	1	
54		SM-8040402-TP	SCREW	1	
55		A1647-534-D00	MAIN FEED SHAFT	1	
56		RE-0500000-K0	E-RING	2	
57		SM-8040402-TP	SCREW	1	
58		A1641-534-D00	SHAFT	1	
59		RE-0400000-K0	E-RING	1	
60		A1613-535-000	FEED BASE GUIDE PLATE	1	
61		SM-4040655-SN	SCREW	2	
62		A1625-800-000	FEED BASE	1	
63	#01	A1627-130-000	MAIN FEED DOG	1	
64	#02	A1627-655-000	MAIN FEED DOG	1	
65		SM-4030655-SP	SCREW	2	
66		RE-0500000-K0	E-RING	1	
67		A1616-030-Z00	SPRING	1	
68		SM-4030655-SP	SCREW	1	
69		A1639-800-000	DIF.FEED BASE	1	
70		A1616-030-Z00	SPRING	1	
71		SM-4030655-SP	SCREW	1	
72	#01	A1648-130-000	DIF.FEED SETTING BASE	1	
73	#02	A1648-655-000	DIF.FEED SETTING BASE	1	
74	#01	A1642-130-000	DIF.FEED DOG	1	
75	#02	A1642-655-00CA	DIF.FEED DOG	1	
76		SM-4030655-SP	SCREW	2	
77		SM-9040700-SP	SCREW	2	
78		SM-8030302-TP	SCREW	1	
79		A1651-534-D00	DIF.FEED ARM	1	
80		A1652-534-D00	BLOCK	1	
81		SM-8030402-TP	SCREW	1	
82		A1665-534-D00	SHAFT	1	
83		RE-0300000-K0	E-RING	1	
84		WP-0430801-SC	WASHER	1	
85		RE-0300000-K0	E-RING	1	
86		A1650-534-D00	DIF.FEED LINK	1	
87		A2529-335-000	PIN	1	
88		A1640-534-D00	MAIN FEED LINK	1	
89		SM-8030402-TP	SCREW	1	
90		A1639-534-D00	MAIN FEED SLIDE BLOCK SHAFT	1	
91		RE-0400000-K0	E-RING	1	
92		SM-8030402-TP	SCREW	1	
93		A1637-534-DA0	MAIN FEED ADJUSTING ASM.	1	
94		SM-8030402-TP	SCREW	(2)	
95		A1638-776-000	MAIN FEED SLIDE BLOCK	1	
96		A1616-534-D00	MAIN FEED ROD	1	
97		A1618-534-D00	MAIN FEED THRUST PLATE	1	
98		A1618-534-D0A	SCREW	2	
99		A1617-534-D00A	VERTICAL / HORIZONTAL FEED CAM	1	
100		SM-8040602-TP	SCREW	2	
101		A1630-535-000	VERTICAL FEED ADS.	1	
102	#02	RE-0900000-K0	E-RING	1	
103		A1612-535-000	FEED BASE GUIDE ROD	1	
104		SM-8040402-TP	SCREW	1	

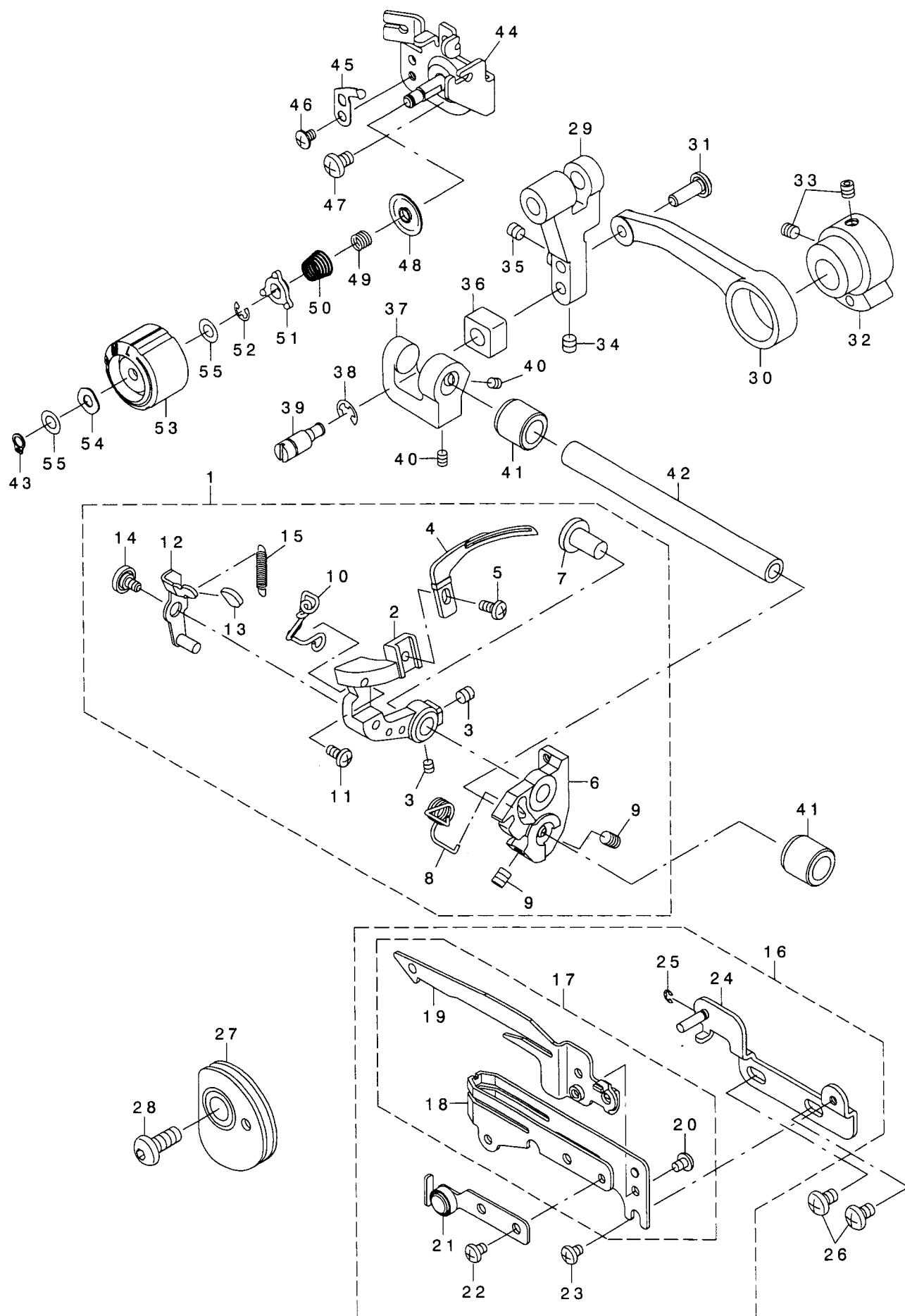
#01...FOR MO-735
#02...FOR MO-734DE

10. NEEDLE THROWING DEVICE BASE COMPONENTS (FOR MO-734DE)



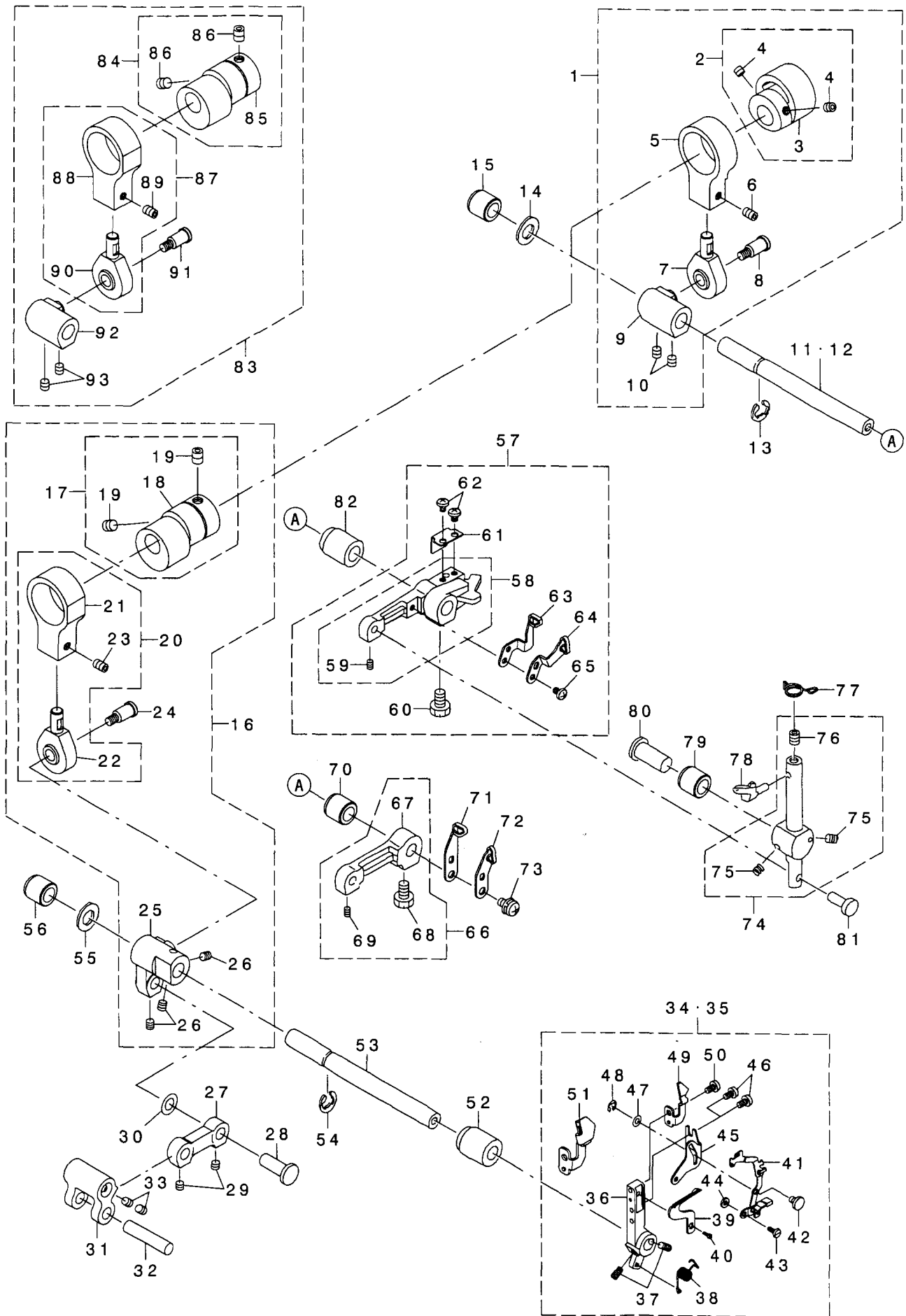
NO.	NOTE	PART NO.	PART DESCRIPTION	Qty	NOTE
1		A1425-11A-0A0	NEEDLE THREADING DEVICE FITTING BASE ASM.	1	
2		A1427-11A-0B0	RIGHT AND LEFT ROCKING BASE COMPL.	(1)	
3		A1430-11A-000	THREADING SHAFT SUPPORT PLATE	(1)	
4		A1429-11A-000	THREADING SHAFT	(1)	
5		A1432-11A-000	SPRING	(1)	
6		A1431-11A-000	PIN	(1)	
7		A1427-11A-0A0	ROCKING BASE ASM.	(1)	
8		A1436-11A-0A0	THREADING HOOK HOLDER ASM.	(1)	
9		A1436-11A-000	THREADING HOOK HOLDER	(1)	
10		SM-8030302-TP	SCREW	(2)	
11		A1437-11A-0A0	THREADING HOOK ASM.	(1)	
12		SM-4020301-SC	SCREW	(1)	
13		A1435-11A-000	ROCKING FULCRUM SHAFT	(1)	
14		RE-0400000-K0	E-RING	(1)	
15		A1433-11A-0A0	ADJUSTING PLATE ASM.	(1)	
16		SM-5030455-SN	SCREW	(1)	
17		A1440-11A-000	CHANGE CAM	(1)	
18		A1450-11A-000A	FRONT AND THE REAR ROCKING BASE	(1)	
19		A4124-335-000	LOWER KNIFE SUPPORT PLATE	(1)	
20		SM-5030455-SN	SCREW	(1)	
21		A1470-11A-0A0	LATCH PLATE ASM.	(1)	
22		A1521-110-00C	LINK COLLAR	(1)	
23		A1427-11A-000	WASHER	(1)	
24		SL-5030531-SF	SCREW	(1)	
25		A1474-11A-000	SPRING	(1)	
26		A1475-11A-0A0A	WIPER DRIVING LINK ASM.	(1)	
27		WP-0430801-SC	WASHER	(2)	
28		RE-0300000-K0	E-RING	(2)	
29		A1480-11A-000	FRONT AND THE REAR REGULATION BASE	(1)	
30		A1425-11A-0A0	THREADING DEVICE FITTING BASE ASM.	(1)	
31		SM-5030655-SN	SCREW	(2)	
32		A1441-11A-000	RIGHT AND LEFT CHANGE BASE	(1)	
33		SM-8030402-TP	SCREW	(1)	
34		A1443-11A-000	CHANGE BASE PRESSER SPRING	(1)	
35		SM-5030455-SN	SCREW	(1)	
36		A1442-11A-000	CHANGE CAM SHAFT	(1)	
37		A1444-11A-000	CHANGE LEVER	(1)	
38		SM-5030855-SN	SCREW	(1)	
39		A1451-11A-000	ROCKING BASE SPRING	(1)	
40		WP-0531000-SC	WASHER	(1)	
41		RE-0400000-K0	E-RING	(1)	
42		A1453-11A-0A0A	WIPER BASE ASM.	(1)	
43		A1463-11A-000	WIPER	(1)	
44		SM-5030455-SN	SCREW	(2)	
45		A1464-11A-0A0	PRETENSION PLATE ASM.	(1)	
46		WP-0260116-RZ	WASHER	(1)	
47		A1466-11A-000	PRETENSION SPRING	(1)	
48		RE-0200000-K0	E-RING	(1)	
49		WP-0501046-SC	WASHER	(1)	
50		RE-0400000-K0	E-RING	(1)	
51		A1483-11A-0A0	THREADING LEVER ASM.	(1)	
52		A1430-096-000A	THREADING LEVER CAP	(1)	
53		A1485-11A-000	THREADING LEVER FITTING BASE	(1)	
54		A1486-11A-000	THREADING LEVER SPRING	(1)	
55		WP-0430801-SC	WASHER	(2)	
56		RE-0300000-K0	E-RING	(2)	
57		SM-5030655-SN	SCREW	(2)	
58		A1457-11A-000	PRETEN RELEASE PLATE	(1)	
59		WP-0320501-SC	WASHER	(2)	
60		RE-0200000-K0	E-RING	(2)	
61		A1459-11A-0A0	DISH FLOAT PLATE	(1)	
62		A1461-11A-000	SPRING	(1)	
63		A1462-11A-000	SPRING WASHER	(1)	
64		SL-5030531-SF	SCREW	(1)	
65		WP-0430801-SC	WASHER	(2)	
66		RE-0300000-K0	E-RING	(2)	
67		SM-5040855-SN	SCREW	1	
68		SM-5040855-SN	SCREW	1	
69		A1446-11A-000	CHANGE PICK-UP FITTING BASE	1	
70		A1445-11A-000A	RIGHT AND LEFT CHANGE PICK-UP	1	

11. CHAIN LOOPER COMPONENTS (FOR MO-735)



NO.	NOTE	PART NO.	PART DESCRIPTION	Qty	NOTE
1		A2109-130-0B0	CHAIN LOOPER TOTAL ASM.	1	
2		A2151-9DC-000	CHAIN LOOPER SUPPORT ARM A	(1)	
3		SM-8030302-TP	SCREW	(1)	
4		A2109-130-0A0	CHAIN LOOPER ASM.	(1)	
5		SM-5030655-SN	SCREW	(1)	
6		A2152-9DC-000	CHAIN LOOPER SUPPORT ARM B	(1)	
7		A2155-655-000A	CHAIN LOOPER SUPPORT SHAFT	(1)	
8		A2158-655-000	SPRING	(1)	
9		SM-8040602-TP	SCREW	(2)	
10		A2165-130-000	LOPPER INTERMEDIATE THREAD GUIDE	(1)	
11		SM-5030655-SN	SCREW	(1)	
12		A2153-655-0A0	CH. LOOPER SUP. ARM LATCH ASM.	(1)	
13		A1167-315-00AA	SUPPORT ARM LATCH KNOB	(1)	
14		A2156-655-000	SCREW	(1)	
15		A2159-655-000	SPRING	(1)	
16		A2130-9DC-0B0	CH.LO. TAKE-UP GUIDE TOTAL ASM.	1	
17		A2130-655-0A0	CHAIN LOOPER TAKE-UP GUIDE ASM.	(1)	
18		A2130-655-000	CHAIN LOOPER TAKE-UP GUIDE (1)	(1)	
19		A2131-655-0A0	TAKE-UP GUIDE (2) ASM.	(1)	
20		SM-0030401-SC	SCREW	(1)	
21		A2134-9DC-0A0	TAKE-UP THREAD GUIDE ASM.	(1)	
22		SM-4030455-SN	SCREW	(1)	
23		SM-4030455-SN	SCREW	(1)	
24		A2132-655-0A0	TAKE-UP PLATE ASM.	(1)	
25		RE-0200000-K0	E-RING	(1)	
26		SM-4040655-SN	SCREW	2	
27		A2124-130-0A0	CHAIN LOOPER TAKE-UP ASM.	1	
28		A2138-335-000	SCREW	1	
29		A2114-535-000	CHAIN LOOPER SUPPORT ARM	1	
30		A2105-535-000	CHAIN LOOPER ROD	1	
31		A2529-335-000	CHAIN LOOPER ROD PIN	1	
32		A2103-9DC-000	CHAIN LOOPER CAM	1	
33		SM-8040402-TP	SCREW	2	
34		SM-8040402-TP	SCREW	1	
35		SM-8040402-TP	SCREW	1	
36		A2116-535-000	CHAIN LOOPER BLOCK GUIDE	1	
37		A2113-353-000A	CHIAN LOOPER SLIDE BLOCK GUIDE	1	
38		RE-0400000-K0	E-RING	1	
39		A2115-655-000	CH.LOOPER BLOCK GUIDE SHAFT	1	
40		SM-8030402-TP	SCREW	2	
41		A2561-777-000	CH.LOOPER BLOCK GUIDE SHAFT	2	
42		A2107-655-000	CHAIN LOOPER SHAFT	1	
43		A3139-776-000	C-RING	1	
44		A2140-9DC-0A0	LOWER THREAD TENSION FITTING BASE ASM.	1	
45		A2143-9DC-000	LATCH SPRING	1	
46		SM-0030401-SC	SCREW	1	
47		SM-4040655-SN	SCREW	1	
48		A2145-9DC-000	LOOPER THREAD TENSION DISH	1	
49		A2146-C09-000	SPRING	1	
50		A2144-9DC-000	SPRING	1	
51		A2142-9DC-000	LOWER THREAD TENSION SPRING PRESSER PLATE	1	
52		RE-0300000-K0	E-RING	1	
53		A2146-9DC-000B	LOWER THREAD TENSION DIAL	1	
54		A1424-777-000	WASHER	1	
55		WP-0430801-SC	WASHER	2	

12. LOOPER DRIVE COMPONENTS

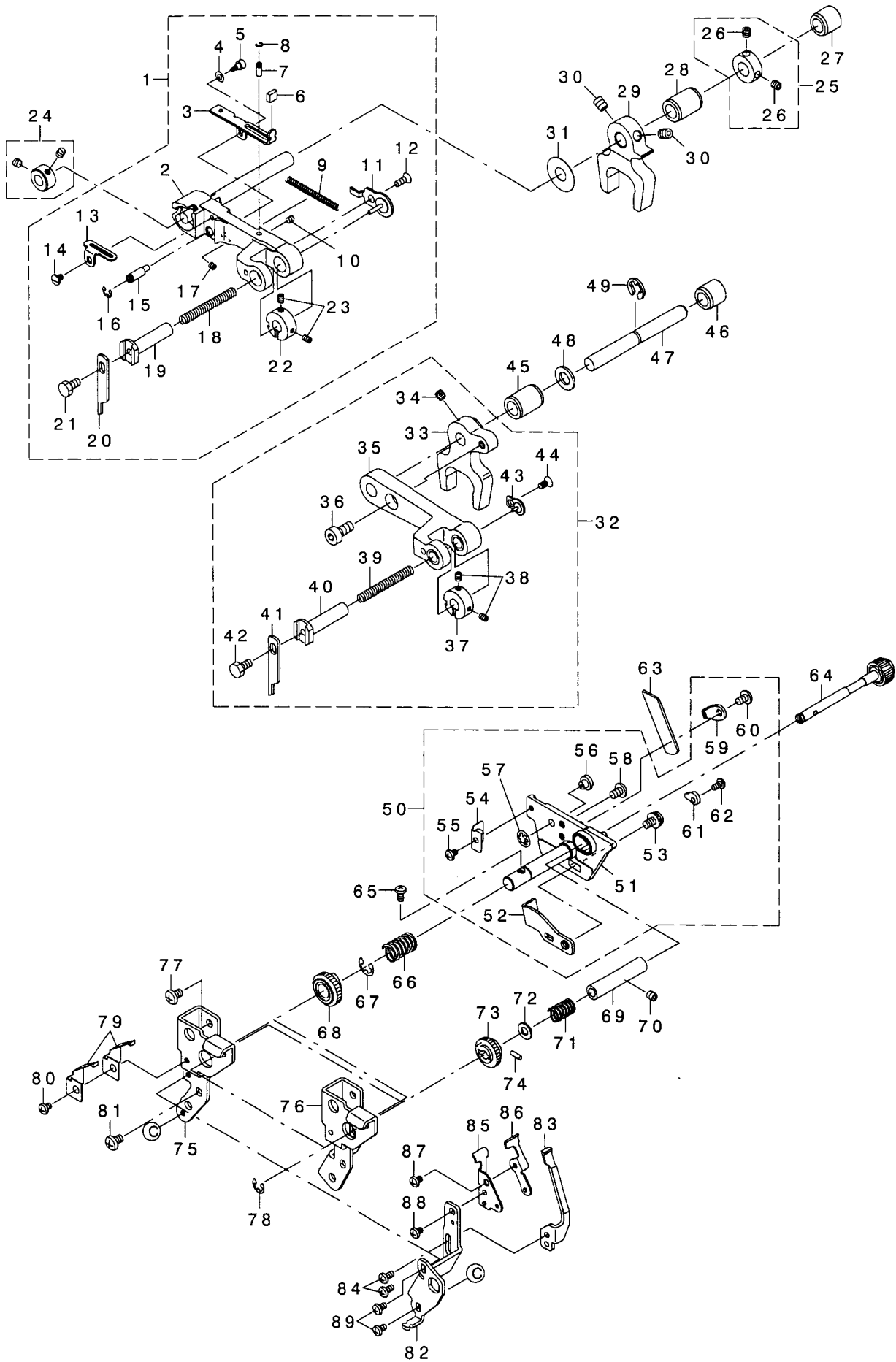


NO.	NOTE	PART NO.	PART DESCRIPTION	Qty	NOTE
1		A2502-534-0A0A	UPPER LOOPER ROD ASM.	1	
2		A2501-534-0A0A	UPPER LOOPER CAM ASM.	(1)	
3		A2501-534-000A	UPPER LOOPER CAM	(1)	
4		SM-8040402-TP	SCREW	(1)	
5		A2502-534-000A	UPPER LOOPER ROD	(1)	
6		SM-8040602-TP	SCREW	(1)	
7		A2503-776-000	CONNECTING ROD	(1)	
8		A2504-776-000	SCREW	(1)	
9		A2505-776-000	LOWER LOOPER DRIVING ARM	(3)	
10		SM-8040402-TP	SCREW	(2)	
11	#01	A2521-534-000	LOOPER SHAFT	1	
12	#02	A2521-344-000	LOOPER SHAFT	1	
13		RE-0600000-K0	E-RING	1	
14		WP-0820516-SP	WASHER	1	
15		A2561-777-000	LOOPER SHAFT METAL	1	
16	#01	A2515-9DC-0A0	LOWER LOOPER ROD ASM.	1	
17		A2514-534-0A0B	LOWER LOOPER CAM ASM.	(3)	
18		A2514-534-00C	LOWER LOOPER CAM	(2)	
19		SM-8050602-TP	SCREW	(1)	
20		A2515-534-0A0	LOWER LOOPER ROD ASM.	(1)	
21		A2515-534-000A	LOWER LOOPER ROD	(1)	
22		A2530-776-000	CONNECTING ROD	(1)	
23		SM-8040602-TP	SCREW	(3)	
24		A2504-776-000	CONNECTING SCREW	(1)	
25		A2516-9DC-000	LOWER LOOPER DRIVING ARM	(1)	
26		SM-8040402-TP	SCREW	(1)	
27	#01	A2101-535-000	CHAIN LOOPER ROD	1	
28	#01	A1403-102-000	CONNECTING PIN	1	
29	#01	SM-8040402-TP	SCREW	1	
30	#01	WP-0641600-SC	WASHER	2	
31	#01	A2102-9DC-000	CHAIN LOOPER SLIDE ARM	2	
32	#01	A2111-335-000	CHAIN LOOPER SLIDE SHAFT	1	
33	#01	SM-8040402-TP	SCREW	1	
34	#01	A2517-130-0A0	LOWER LOOPER THREADING DEVICE ASM.	1	
35	#02	A2517-110-0A0B	LOWER LOOPER THREADING DEVICE ASM.	1	
36		A2517-335-00S	LOWER LOOPER SUPPORT ARM	(2)	
37		SM-8040602-TP	SCREW	(1)	
38		A2537-335-00SA	SPRING	(1)	
39		A2526-335-00A	LOWER LOOPER	(1)	
40		SM-5030655-SN	SCREW	(1)	
41		A2534-554-0B0A	LOWER LOOPER THREAD GUIDE ASM.	(1)	
42		A2532-335-00S	PIN	(1)	
43		A2531-335-00S	SCREW	(1)	
44		WP-0320501-SC	WASHER	(1)	
45		A2533-335-00S	LOWER LOOPER THREAD GUIDE BASE	(2)	
46		SM-5030655-SN	SCREW	(1)	
47		A2539-335-00S	WASHER	(1)	
48		RE-0200000-K0	E-RING	(1)	
49	#01	A2536-554-000A	MOVABLE NEEDLE GUARD (BACK)	(1)	
50		SM-5030655-SN	SCREW	(1)	
51	#02	A2536-800-000	LOCK NEEDLE HOLDER	(1)	
52		A2561-777-000	LOOPER SHAFT METAL	2	
53		A2521-534-000	LOOPER SHAFT	1	
54		RE-0600000-K0	E-RING	1	
55		WP-0820516-SP	WASHER	1	
56		A2561-777-000	WASHER	2	
57	#01	A2510-130-0C0	UPPER LOOPER ROCKING ARM TOTAL ASM.	1	
58		A2510-130-0B0	UPPER LOOPER ROCKING ARM ASM.	(4)	
59		SM-8030402-TP	SCREW	(1)	
60		SM-9050850-SP	SCREW	(1)	
61		A2508-335-000	RELEASE LEVER PRESSER	(1)	
62		SM-4030455-SP	SCREW	(2)	
63		A2519-130-000	UPPER LOOPER BALANCE	(1)	
64		A2520-130-000	LOWER LOOPER BALANCE	(1)	
65		SM-5030455-SN	SCREW	(1)	
66		A2510-344-0A0	UPPER LOOPER ROCKING ARM ASM.	1	
67		A2510-344-000	UPPER LOOPER ROCKING ARM	(1)	
68		SM-9050850-SP	SCREW	(2)	
69		SM-8030402-TP	SCREW	(1)	
70		A2561-777-000	LOOPER SHAFT METAL	1	
71		A2519-344-000	UPPER LOOPER BALANCE	2	
72		A2520-344-000	LOWER LOOPER BALANCE	1	
73		SL-5040835-SN	SCREW	1	
74	#02	A2530-344-0A0	UPPER LOOPER SLIDE SHAFT ASM.	2	
75		SM-8040402-TP	SCREW	(1)	
76		SM-8050602-TP	SCREW	(1)	
77		A2521-513-0A0	SIDE SHAFT THREAD GUIDE ASM.	(1)	
78		A2512-776-000	UPPER LOOPER	2	
79		A2561-777-000	BUSHING	1	
80		A2531-534-000A	UPPER LOOPER GUIDE SHAFT	4	
81		A2529-335-000	UPPER LOOPER ARM PIN	1	
82	#01	A1675-335-000	UPPER LOOPER FRONT METAL	1	
83	#02	A2515-534-0A0B	LOWER LOOPER ROD ASM.	1	
84		A2514-534-0A0B	LOWER LOOPER CAM ASM.	(2)	
85		A2514-534-00C	LOWER LOOPER CAM	(1)	
86		SM-8050602-TP	SCREW	(1)	
87		A2515-534-0E0	LOWER LOOPER ROD ASM.	(1)	
88		A2515-534-000A	LOWER LOOPER ROD	(1)	
89		SM-8040602-TP	SCREW	(2)	
90		A2503-776-000	LOWER LOOPER DRIVING ARM	(1)	
91		A2504-776-000	CONNECTING SCREW	(1)	
92		A2505-776-000	LOWER LOOPER DRIVING ARM	(2)	
93		SM-8040402-TP	SCREW	(1)	

#01...FOR MO-735

#02...FOR MO-734DE

13. KNIFE COMPONENTS

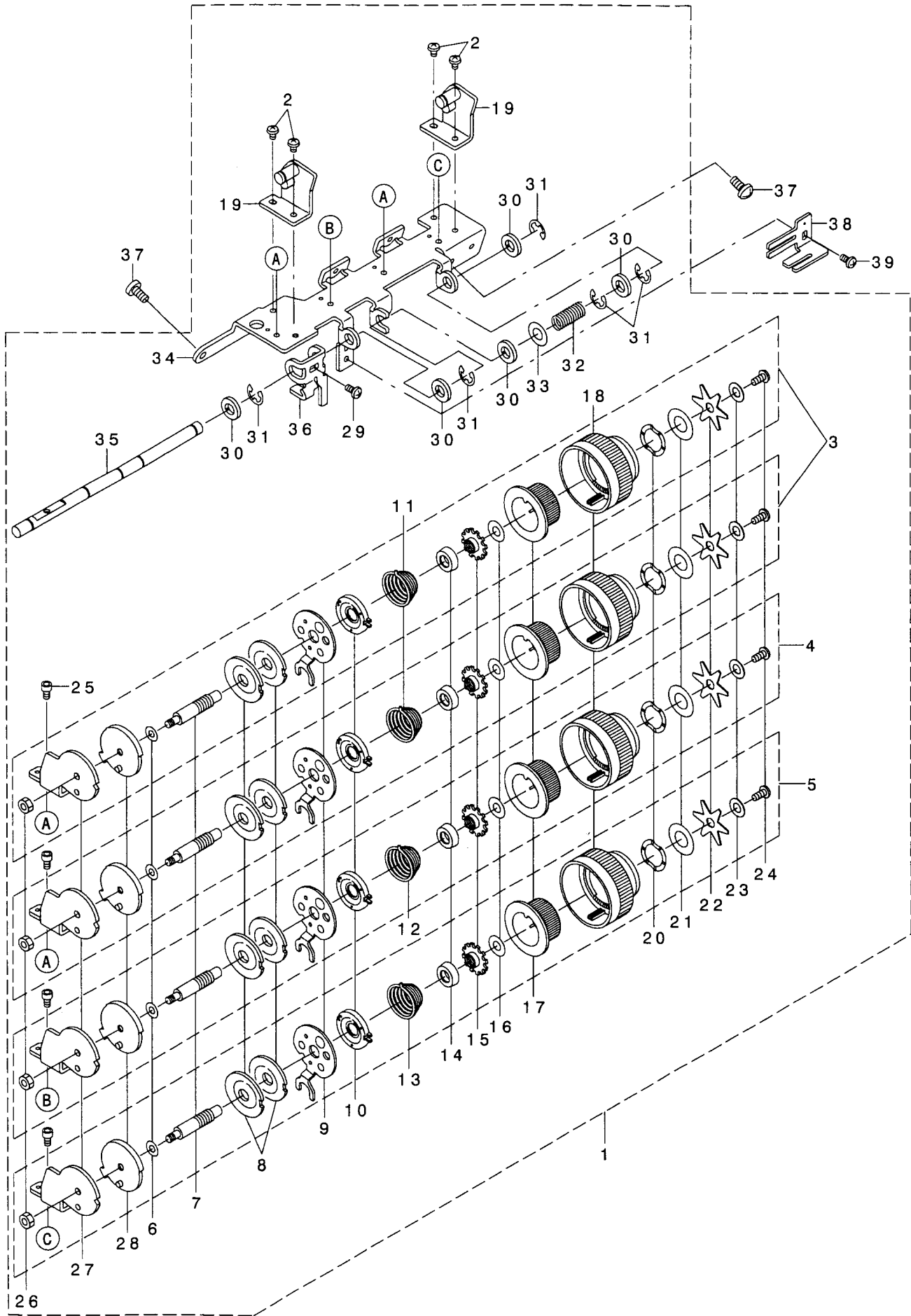


NO.	NOTE	PART NO.	PART DESCRIPTION	Qty	NOTE
1	#01	A4101-130-0B0	UPPER KNIFE DRIVING ARM TOTAL ASM.	1	
2	#01	A4101-130-0A0A	UPPER KNIFE DRIVING ARM ASM.	(1)	
3	#01	A4113-130-000	RELEASE LEVER	(1)	
4	#01	A2539-335-00S	WASHER	(1)	
5	#01	A4123-130-000	SCREW	(1)	
6	#01	A1167-315-00AA	RELEASE LEVER CAP	(1)	
7	#01	A4114-130-000	RELEASE PLATE SHAFT	(1)	
8	#01	RE-0200000-K0	E-RING	(1)	
9	#01	A4120-130-000	SPRING	(1)	
10	#01	SM-8030302-TP	SCREW	(1)	
11	#01	A4107-130-0A0	KNIFE PRESSER SPRING HOLDER ASM.	(1)	
12	#01	SM-1030601-SP	SCREW	(1)	
13	#01	A4115-130-000	UPPER RELEASE GUIDE PLATE	(1)	
14	#01	SM-0030401-SC	SCREW	(1)	
15	#01	A4116-130-000B	UPPER KNIFE ECCENTRICITY SHAFT	(1)	
16	#01	RE-0300000-K0	E-RING	(1)	
17	#01	SM-8030302-TP	SCREW	(1)	
18	#01	A4106-535-000	KNIFE PRESSER SPRING	(1)	
19	#01	A4103-535-000	UPPER KNIFE HOLDER	(1)	
20	#01	A4142-335-000	UPPER KNIFE	(1)	
21	#01	SM-9040803-SD	SCREW	(1)	
22	#01	A4105-776-000A	UPPER KNIFE TURNING KNOB	(1)	
23	#01	SM-8030402-TP	SCREW	(2)	
24	#01	A1667-776-0A0	UPPER KNIFE SHAFT COLLAR	1	
25	#01	A1414-502-0A0	THRUST COLLAR ASM.	1	
26	#01	SM-8040402-TP	SCREW	(2)	
27	#01	A2561-777-000	UPPER KNIFE SHAFT REAR METAL	1	
28	#01	A2112-204-000	UPPER KNIFE SHAFT FRONT METAL	1	
29	#01	A4102-130-000	UPPER KNIFE DRIVING ARM	1	
30	#01	SM-8050602-TP	SCREW	2	
31	#01	A4111-130-000	WASHER	1	
32	#02	A4101-800-0A0	UPPER KNIFE DRIVING ARM ASM.	(1)	
33	#02	A4102-535-000	UPPER KNIFE FORKED ARM	(1)	
34	#02	SM-8040402-TP	SCREW	(1)	
35	#02	A4101-503-000C	UPPER KNIFE DRIVING ARM	(1)	
36	#02	SM-6051002-TP	SCREW	(1)	
37	#02	A4105-776-000A	UPPER KNIFE TURNING KNOB	(1)	
38	#02	SM-8030402-TP	SCREW	(1)	
39	#02	A4106-535-000	KNIFE PRESSER SPRING	(1)	
40	#02	A4103-535-000	UPPER KNIFE HOLDER	(1)	
41	#02	A4142-335-000	UPPER KNIFE	(1)	
42	#02	SM-9040803-SD	SCREW	(1)	
43	#02	A4107-502-0A0	KNIFE SPRING SUPPORTING PLATE ASM.	(1)	
44	#02	SM-1030601-SP	SCREW	(1)	
45	#02	A2112-204-000	BUSHING	1	
46	#02	A2561-777-000	BUSHING	1	
47	#02	A4108-535-000	UPPER KNIFE SHAFT	1	
48	#02	WP-0820516-SP	WASHER	1	
49	#02	RE-0600000-K0	E-RING	1	
50		A4121-130-0A0	LOWER KNIFE HOLDER COMPL.	1	
51		A4121-130-0A0	LOWER KNIFE HOLDER COMPL.	(1)	
52		A4147-130-000	CHIP GUARD COVER STOPPER	(1)	
53		SL-5040835-SN	SCREW	(1)	
54		A4122-130-000	LOWER KNIFE HOLDER GUARD PLATE	(1)	
55		SM-4030455-SP	SCREW	(1)	
56		A4149-535-000	LOWER KNIFE ANGLE ADJ.SUPPORT	(1)	
57		A3205-555-A00	KNIFE ANGLE ADJ.SUPPORT STOPPE	(1)	
58		SM-4040655-SN	SCREW	(1)	
59		A4123-335-000	LOWER KNIFE PRESSER PLATE	(1)	
60		SM-4040655-SP	SCREW	(1)	
61		A4124-335-000	LOWER KNIFE SUPPORTING PLATE	(1)	
62		SM-4030655-SP	SCREW	(1)	
63		A4145-335-000	LOWER KNIFE	1	
64		A4130-130-000	LOWER KNIFE ADJUSTING KNOB	1	
65		SM-4030601-SN	SCREW	1	
66		A4136-344-000	LOWER KNIFE HOLDER SPRING	1	
67		RE-0500000-K0	E-RING	1	
68		A4128-130-000	LOWER KNIFE ADJ.CAM	1	
69		A4125-110-000	LOWER KNIFE HOLDER SHAFT	1	
70		SM-8040402-TP	SCREW	1	
71		A1633-534-D00	LOWER KNIFE ADJUSTING GEAR SPRING	1	
72		A3109-9DC-000	LOWER KNIFE ADJUSTING GEAR WASHER	1	
73		A4127-130-000	LOWER KNIFE ADJUSTING GEAR	1	
74		PS-0200082-KH	LOWER KNIFE ADJUSTING GEAR PIN	1	
75	#01	A4131-130-000	LOWER KNIFE ADJUSTING BASE	1	
76	#02	A4131-110-000	LOWER KNIFE ADJUSTING BASE	1	
77		SM-4040655-SN	SCREW	1	
78		RE-0400000-K0	E-RING	1	
79		A4140-535-000	LOWER KNIFE ADJUSTING CAM PRESSER SPRING	1	
80		SM-4030455-SP	SCREW	1	
81		SM-4040655-SN	SCREW	1	
82	#01	A2537-130-000	NEEDLE GUARD SUPPORT PLATE	1	
83	#01	A2535-655-000	LOCK NEEDLE GUARD (FRONT)	1	
84	#01	SM-4030655-SP	SCREW	2	
85	#01	A2161-130-000	CHAIN NEEDLE GUARD,REAR	1	
86	#01	A2160-130-000	CHAIN NEEDLE GUARD,FRONT	1	
87	#01	SM-4030455-SP	SCREW	1	
88	#01	SM-4030455-SP	SCREW	1	
89	#01	SM-5030555-SC	SCREW	2	

#01...FOR MO-735

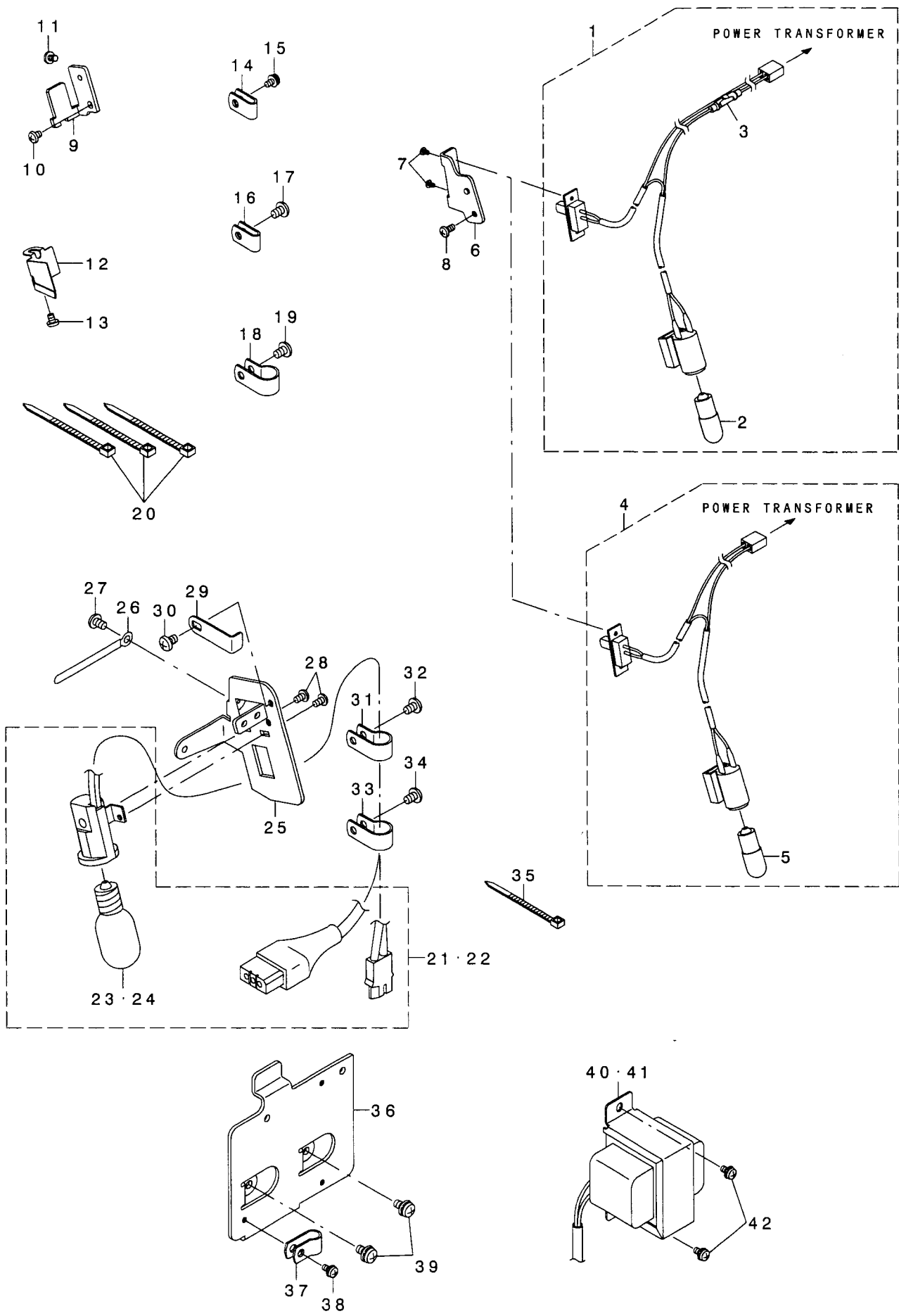
#02...FOR MO-734DE

14. THREAD TENSION COMPONENTS



NO.	NOTE	PART NO.	PART DESCRIPTION	Qty	NOTE
1		A3150-735-0B0	THREAD TENSION ASM.	1	
2		SM-5030455-SN	SCREW	(4)	
3		A3150-110-AA0A	THREAD TENSION PLATE A ASM.	(1)	
4		A3150-12A-BA0	THREAD TENSION PLATE B ASM.	(1)	
5		A3150-12A-DA0	THREAD TENSION PLATE D ASM.	(1)	
6		WP-0380516-SD	WASHER	(4)	
7		A3149-110-000	THREAD TENSION SHAFT	(4)	
8		A3910-634-000B	THREAD TENSION DISC	(8)	
9		A3126-110-000	DISC FLOAT PLATE	(4)	
10		A3900-634-000	THREAD TENSION SPRING HOLDER	(4)	
11		A3903-634-000	THREAD TENSION SPRING 3	(2)	
12		A3904-634-000	THREAD TENSION SPRING 4	(1)	
13		A3907-634-000	THREAD TENSION SPRING 7	(1)	
14		A3107-110-000	THREAD TENSION SPRING COLLAR	(4)	
15		A3134-634-000	THREAD TENSION ADJUSTING NUT	(4)	
16		WP-0510516-SD	WASHER	(4)	
17		A3151-110-000	THREAD TENSION GEAR	(4)	
18		A3150-110-A00A	THREAD TENSION DIAL	(4)	
19		A1146-110-0A0	KNOB FITTING BASE ASM.	(2)	
20		A3106-202-000	WASHER	(4)	
21		WP-0841600-SE	WASHER	(4)	
22		A3152-110-000	THREAD TENSION DIAL PRESSER	(4)	
23		A3109-9DC-000	WASHER	(4)	
24		SS-5080710-SP	SCREW	(4)	
25		SM-6030502-TP	SCREW	(4)	
26		NS-6090310-SP	NUT	(4)	
27		A3202-110-000	THREAD TENSION PLATE	(4)	
28		A3127-110-000	THREAD TENSION DISC HOLDER	(4)	
29		SM-5030655-SN	SCREW	(1)	
30		A1577-110-000	WASHER	(5)	
31		RE-0500000-K0	E-RING	(5)	
32		A1574-110-000	SPRING	(1)	
33		WP-0641600-SC	WASHER	(1)	
34		A3201-735-000	THREAD TENSION FITTING PLATE	(1)	
35		A1573-110-000	DISC FLOAT SHAFT	(1)	
36		A1575-110-000	DISC FLOAT CONNECTION PLATE	(1)	
37		SM-5040855-SN	SCREW	2	
38		A1576-110-000	DISC FLOAT LINK GUIDE PLATE	1	
39		SM-5030655-SN	SCREW	1	

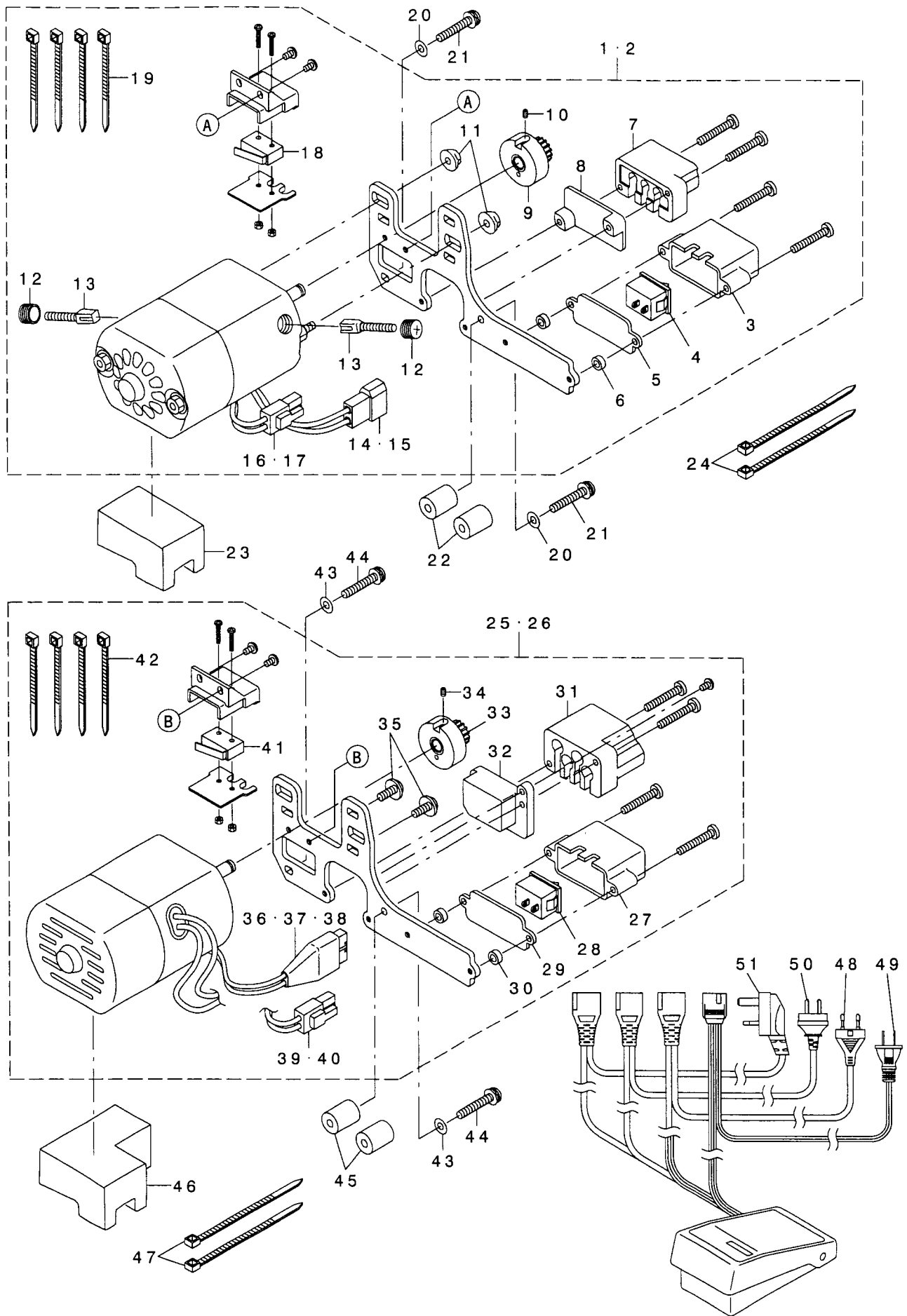
15. LAMP & TRANSFORMER COMPONENTS



NO.	NOTE	PART NO.	PART DESCRIPTION	Qty	NOTE
1	#02	A6001-10D-0A0	LAMP HOLDER ASM. (UL / CSA)	1	
2	#02	A3803-880-000	LAMP	(1)	
3	#02	HF-0029001-00	FUSE	(1)	
4	#02	A6002-10D-0A0	LAMP HOLDER ASM. (VDE / SAA)	1	
5	#02	A3803-880-000	LAMP	(1)	
6	#02	A6005-11A-000	LAMP SW BRACKET	1	
7	#02	SM-4020301-SC	SCREW	2	
8	#02	SM-5030655-SN	SCREW	1	
9	#02	A6006-11A-000	LAMP BRACKET	1	
10	#02	SM-5030455-SN	SCREW	1	
11	#02	SM-5030455-SN	SCREW	1	
12	#02	A6007-11A-000	LAMP COVER	1	
13	#02	SM-5030455-SN	SCREW	1	
14	#02	HX-0015000-00	CABLE CLIP 1	1	
15	#02	SL-5030631-SF	SCREW	1	
16	#02	HX-0015000-00	CABLE CLIP (DVE / SAA)	1	
17	#02	SM-4040655-SN	SCREW (DVE / SAA)	1	
18	#02	HX-0015000-0D	CABLE CLIP 2 (UL / CSA)	1	
19	#02	SM-4040655-SN	SCREW (UL / CSA)	1	
20	#02	A4078-550-00B	CABLE BAND	3	
21	#01	A6006-800-0AA	LAMP HOLDER ASM. FOR CSA (UL / CSA)	1	
22	#01	A6006-800-0AB	LAMP HOLDER ASM. FOR VDE (VDE / SAA)	1	
23	#01	A6013-800-A00	LAMP FOR UL UL / CSA)	(1)	
24	#01	A6013-800-B00	LAMP FOR VDE (VDE / SAA)	(1)	
25	#01	A6007-634-000	LAMP FITTING PLATE	1	
26	#01	A3811-550-000	CABLE CLIP	1	
27	#01	SM-4040655-SN	SCREW	1	
28	#01	SM-5030555-SC	SCREW	2	
29	#01	A3119-130-000	FRONT COVER FIXING PLATE B	1	
30	#01	SM-4040655-SN	SCREW	1	
31	#01	HX-0015000-0B	CABLE CLIP	1	
32	#01	SL-5030631-SF	SCREW	1	
33	#01	HX-0015000-0B	CABLE CLIP	1	
34	#01	SM-4040655-SN	SCREW	1	
35	#01	EA-9500B02-00	CABLE BAND	1	
36	#02	A6100-11A-000	TRANSFORMER BRACKET	1	
37	#02	HX-0015000-0B	CABLE CLIP	1	
38	#02	SL-5030631-SF	SCREW	1	
39	#02	SL-5040835-SN	SCREW	2	
40	#02	A6014-10D-0A0	POWER TRANSFORMER ASM. (120V)(UL / CSA)	1	
41	#02	A6014-10D-0AB	POWER TRANSFORMER ASM. (240V)(VDE / SAA)	1	
42	#02	SL-5030631-SF	SCREW	2	

#01...FOR MO-735
#02...FOR MO-734DE

16. MOTOR & CONTROLLER COMPONENTS

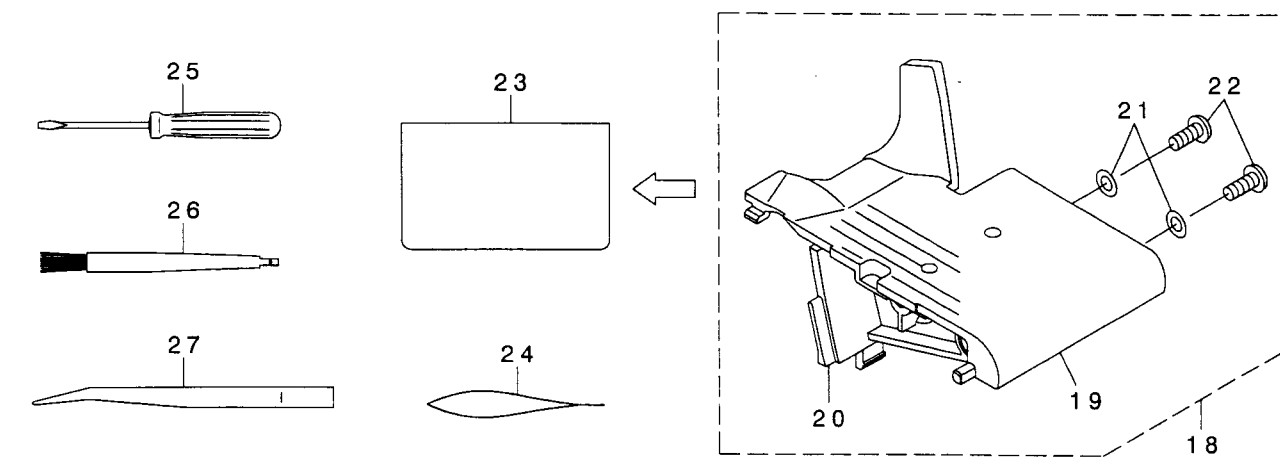
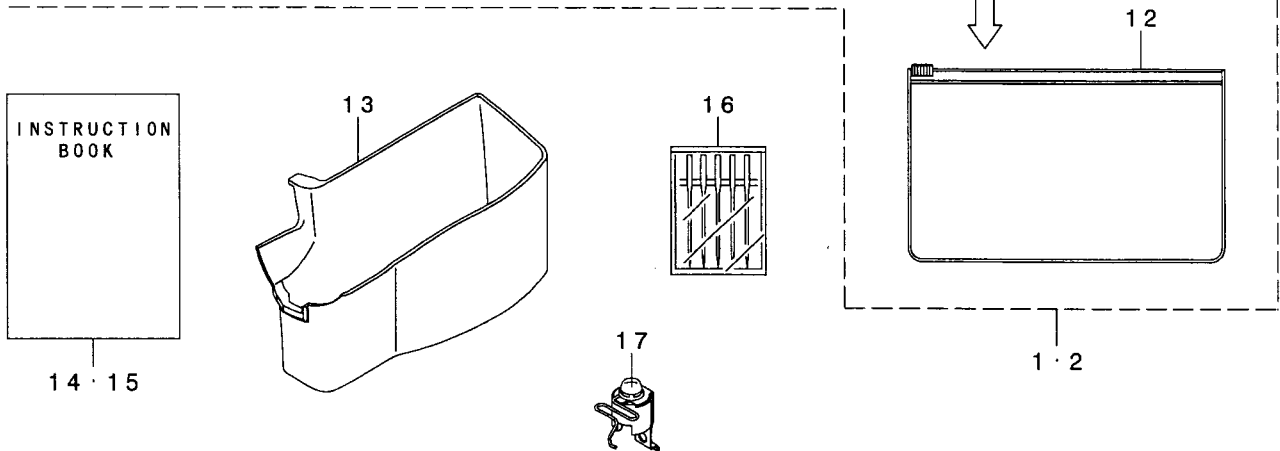
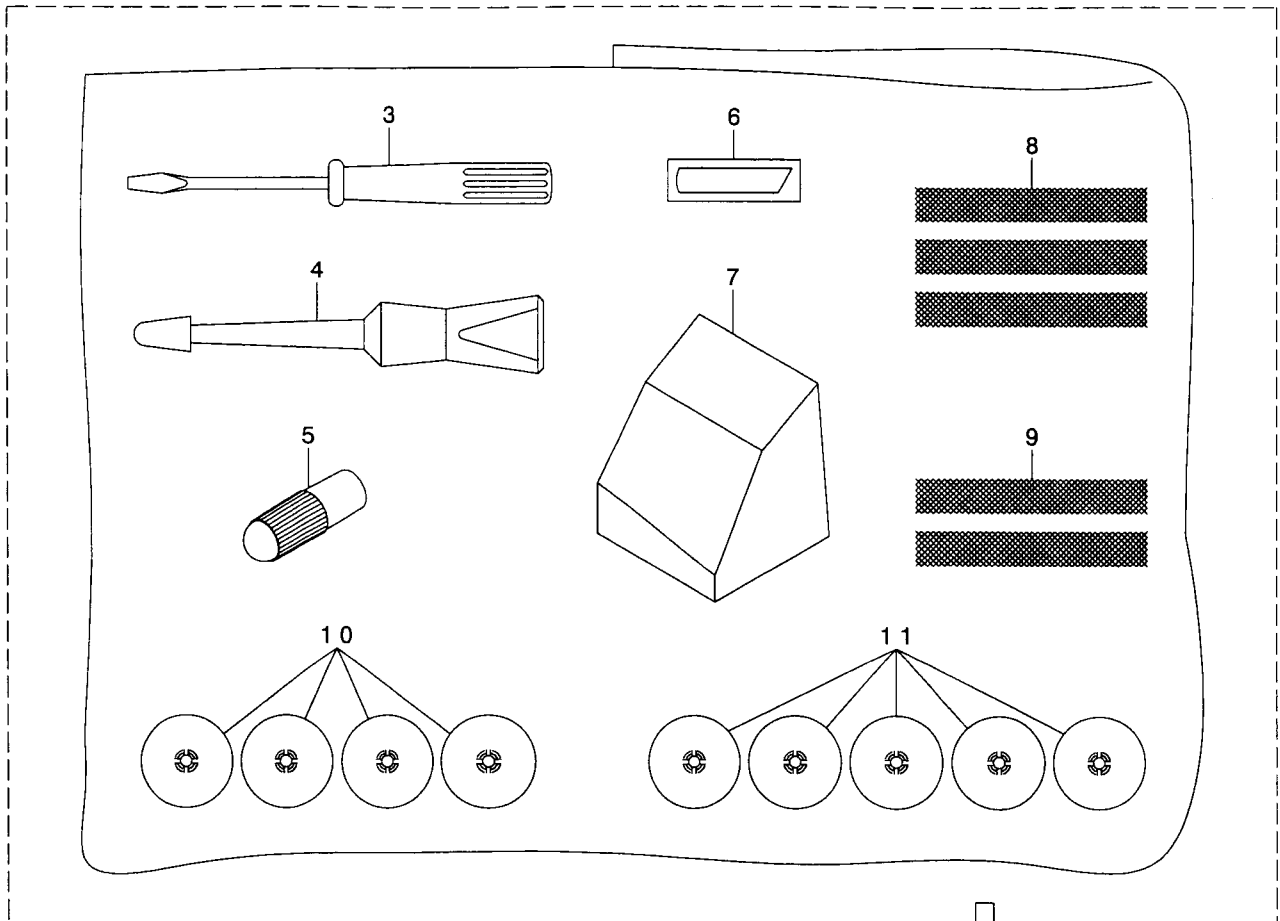


NO.	NOTE	PART NO.	PART DESCRIPTION	Qty	NOTE
1	#01	A6301-735-0B0	MOTOR ASM. (UL / CSA)	1	
2	#02	A6301-11A-0B0	MOTOR ASM. (UL / CSA)	1	
3		A6015-524-000	SW COVER A	(1)	
4		A6003-110-000	POWER SW	(1)	
5		A6016-524-000	SW COVER B	(1)	
6		A6019-110-000	POWER SW SPACER	(2)	
7		A6001-102-U00A	TERMINAL BOX	(1)	
8		A6009-535-000	TERMINAL BOX FITTING BASE (UL / CSA)	(1)	
9		A6010-634-000A	MOTOR PULLEY (UL / CSA)	(1)	
10		SM-8040602-TP	SCREW	(1)	
11		NM-3040550-SC	NUT	(2)	
12		MSA-01071M07	BRUSH CAP	(2)	
13		A6090-534-000	CARBON BRUSH	(2)	
14	#01	MA-1150400-00	NYLON PLUG	(1)	
15	#01	D6043-000-B00	PIN TERMINAL	(1)	
16	#02	HK-0115100-20	RECEPTACLE HOUSING	(1)	
17	#02	E9858-901-000	TERMINAL	(1)	
18		E9603-501-000	SAFETY SW SS-5GL	(1)	
19		A4078-550-00B	CABLE BAND	(4)	
20		WP-0430801-SC	WASHER	2	
21		SL-4042551-SF	SCREW	2	
22		A6350-110-000	MOTOR FITTING BASE	2	
23		A6003-535-000	MOTOR PROTECTOR	1	
24		EA-9500B02-00	CABLE BAND	2	
25	#01	A3601-735-0BB	MOTOR ASM. (VDE / SAA)	1	
26	#02	A6301-11A-0BB	MOTOR ASM. (VDE / SAA)	1	
27		A6015-524-000	SW COVER A	(1)	
28		A6003-110-000	POWER SW	(1)	
29		A6016-524-000	SW COVER B	(1)	
30		A6019-110-000	POWER SW SPACER	(2)	
31		A6001-102-G00	TERMINAL BOX (VDE / SAA)	(1)	
32		A6005-110-000	CONDENSER COVER (VDE / SAA)	(1)	
33		A6010-634-00A	INSULATION MOTOR PULLEY (VDE / SAA)	(1)	
34		SM-8040602-TP	SCREW	(1)	
35		A6004-110-000	SCREW	(2)	
36	#01	A6009-555-D00	PLUG COVER	(1)	
37	#01	HK-0199200-30	NYLON RECEPTACLE	(1)	
38	#01	HK-0039400-00	PIN TERMINAL	(1)	
39	#02	KH-0115100-20	RECEPTACLE HOUSING	(1)	
40	#02	E9858-901-000	TERMINAL	(1)	
41		E9603-501-000	SAFETY SW SS-5GL	(1)	
42		A4078-550-00B	CABLE BAND	(2)	
43		WP-0430801-SC	WASHER	2	
44		SL-4042551-SF	SCREW	2	
45		A6350-110-000	MOTOR FITTING BASE	2	
46		A6003-535-000A	MOTOR PROTECTOR	1	
47		EA-9500B02-00	CABLE BAND	2	
48		A6401-110-00A	CONTROLLER (VDE)	1	
49		A6401-110-000	CONTROLLER (UL / CSA)	1	
50		A6401-110-00B	CONTROLLER (SAA)	1	
51		A6401-110-00C	CONTROLLER (BS)	1	

#01...FOR MO-735

#02...FOR MO-734DE

17. ACCESSORIES PARTS COMPONENTS

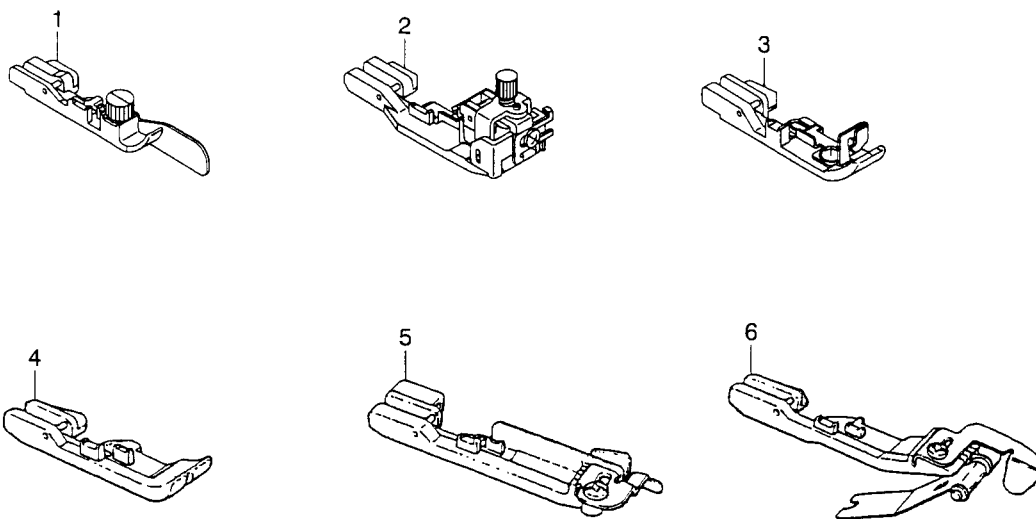


NO.	NOTE	PART NO.	PART DESCRIPTION	Qty	NOTE
1	#01	A9120-735-0A0	ACCESORY BAG ASM.	1	
2	#02	A9120-734-0A0	ACCESORY BAG ASM.	1	
3		A9103-102-000	SCREW DRIVER, LARGE	(1)	
4		A9104-102-0A0	OILER WITH OIL	(1)	
5	#02	A9118-776-000	LAMP EXCHANGE TOOL	(1)	
6		A4145-534-0A0	LOWER KNIFE WITH PACK	(1)	
7		A9102-800-000	VINYL COVER	(1)	
8	#01	A9116-335-000	PLASTIC NET	(3)	
9	#02	A9116-335-000	PLASTIC NET	(2)	
10	#02	A9106-776-000B	SPOOL RETAINER	(4)	
11	#01	A9106-776-000B	SPOOL RETAINER	(5)	
12		A9121-503-000A	ACCESORY BAG WITH ZIPPER	(1)	
13		A9108-130-000	CLICK WASTE HOLDER BOX	1	
14	#01	A9150-735-00A	INSTRUCTION MANUAL (GB / SPN / GER / FRA)	1	
15	#02	A9150-734-00A	INSTRUCTION MANUAL (GB / SPN / GER / FRA)	1	
16		A9114-C09-0A0	NEEDLE CASE ASM.	1	
17		A9130-777-0A0	2/3THREAD SELECTOR ATTACHMENT ASM.	1	
18	#01	A1180-735-0B0	SUPPORT BED TOTAL ASM.	1	
19		A1180-735-0A0	SUPPORT BED ASM.	(1)	
20		A1181-735-000	SUPPORT BED BASE	(1)	
21		WP-0430801-SC	WASHER	(2)	
22		ST-5041051-SN	SCREW	(2)	
23		J0231-082-A00	ACCESSORY PARTS RECEIPT BAG	1	
24		A9107-202-000	NEEDLE THREADER WITH PACK	1	
25		A9110-776-000	SCREW DRIVER	1	
26		A9105-334-000	NEEDLE INSERTER TOOL/BRUSH	1	
27		A9109-202-000	TWEEZERS	1	

#01...FOR MO-735

#02...FOR MO-734DE

18. OPTINAL PARTS COMPONENTS



NO.	NOTE	PART NO.	PART DESCRIPTION	Qty	NOTE
1		A9810-634-0A0A	BLIND STITCH PRESSER FOOT ASM.	1	
2		A9815-655-0A0A	ELASTICATOR PRESSER FOOT ASM.	1	
3		A9820-655-0A0A	CORDING PRESSER FOOT ASM.	1	
4		A9865-655-0A0A	PIPING PRESSER FOOT ASM.	1	
5		A9870-634-0A0A	BEADING PRESSER FOOT ASM.	1	
6		A9860-655-0A0B	GATHERING PRESSER FOOT ASM.	1	

JUKI®

JUKI CORPORATION

HOUSEHOLD SEWING MACHINE DIV.
8-2-1, KOKURYO-CHO, CHOFU-SHI
TOKYO 182-8655, JAPAN
PHONE : (81)3-3480-5034
Facsimile : (81)3-3480-5037

Copyright © 2003 JUKI CORP.
All rights reserved throughout the world.
29365509