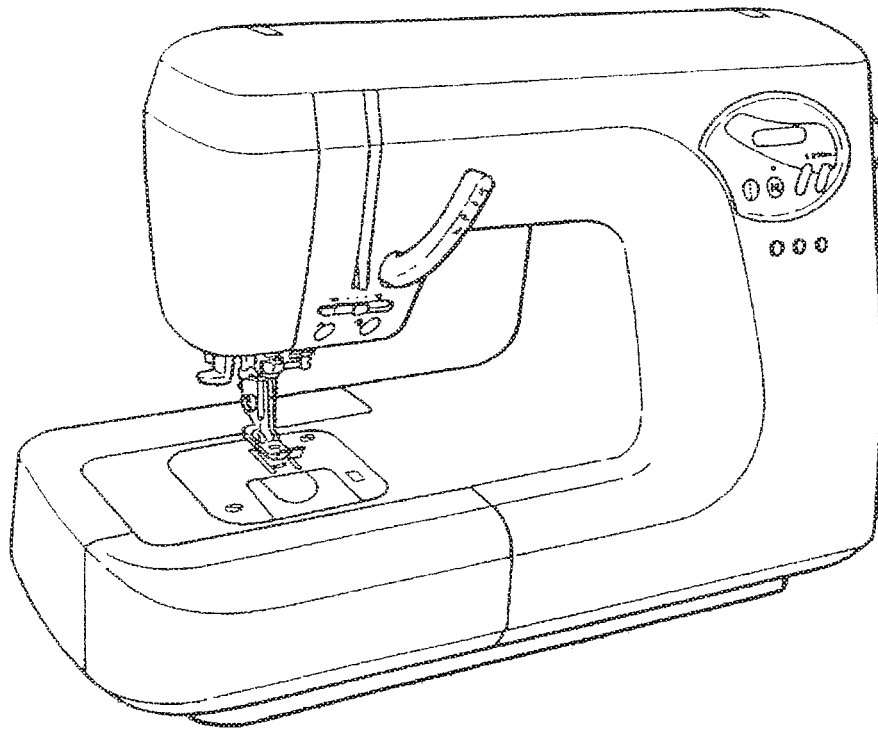


JUKI®

COMPUTER SEWING MACHINE

HZL-T100

PARTS LIST



CONTENTS

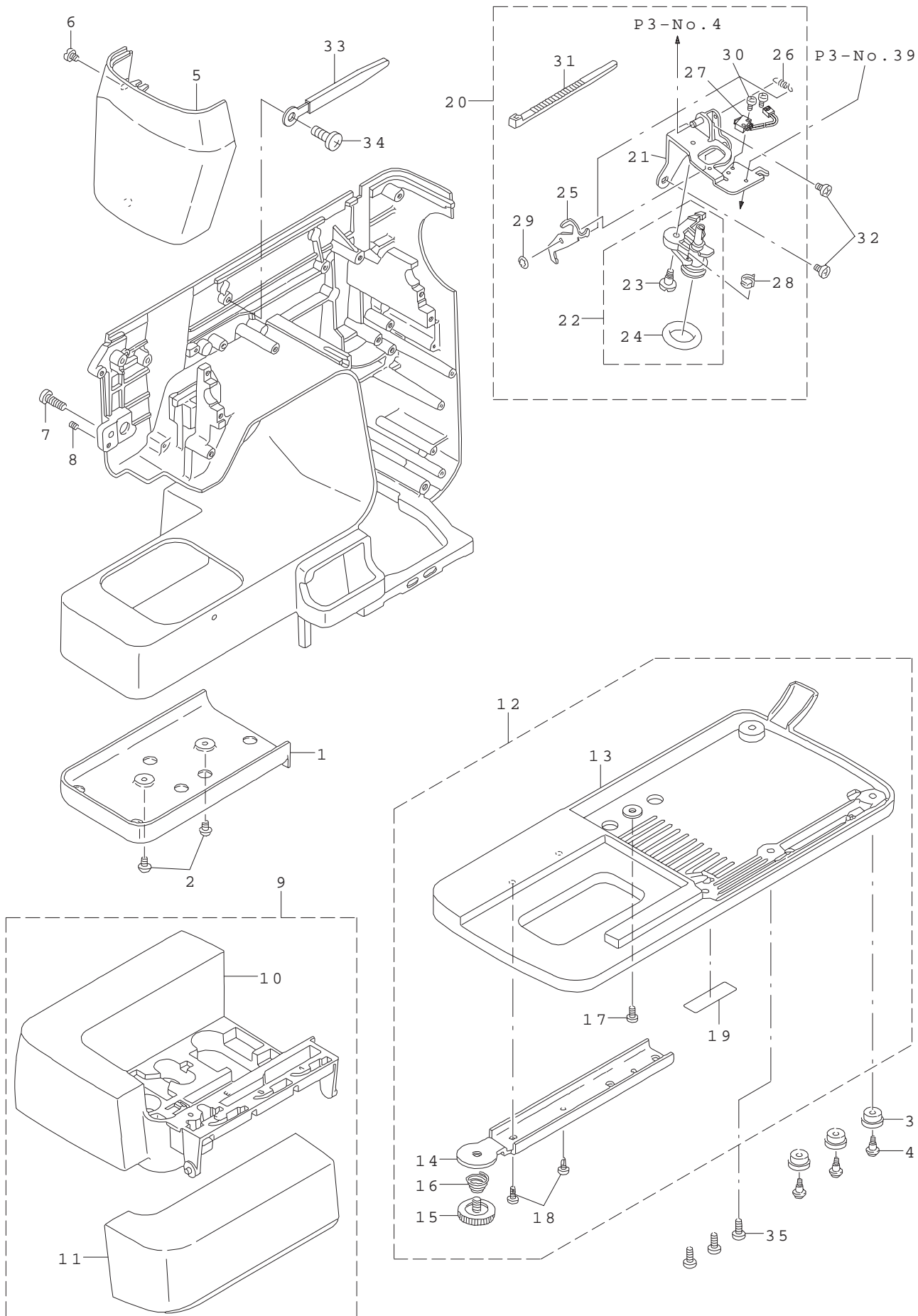
1. COVER AND BOBBIN THREAD WINDER COMPONENTS	1
2. UPPER COVER , UPPER PLATE AND BASE TENSION COMPONENTS	3
3. FRONT PANEL , MICRO COMPUTER CIRCUIT BOARD COMPONENTS	5
4. MAIN SHAFT , THREAD TAKE-UP LEVER COMPONENTS	7
5. THROAT PLATE , HOOK DRIVING SHAFT AND FEED DOG COMPONENTS	9
6. NEEDLE BAR , PRESSER BAR AND LAMP COMPONENTS	11
7. TENSION RELEASING PLATE AND ONE-STITCH SW. COMPONENTS	13
8. THREAD TRIMMER LINK AND OPERATING LEVER COMPONENTS	15
9. MOVING KNIFE COMPONENTS	17
10. NEEDLE BAR ROCKING STM AND FEED STM COMPONENTS	19
11. MOTOR AND POWER CIRCUIT BOARD COMPONENTS	21
12. ACCESSORIES , OPTIONAL AND PACKING MATERIALS COMPONENTS	23

(Remarks)

The part which has an asterisk (*) before its part number is not separately available as a spare part so that the accuracy in assembling and smoothness in component investigation are assured.

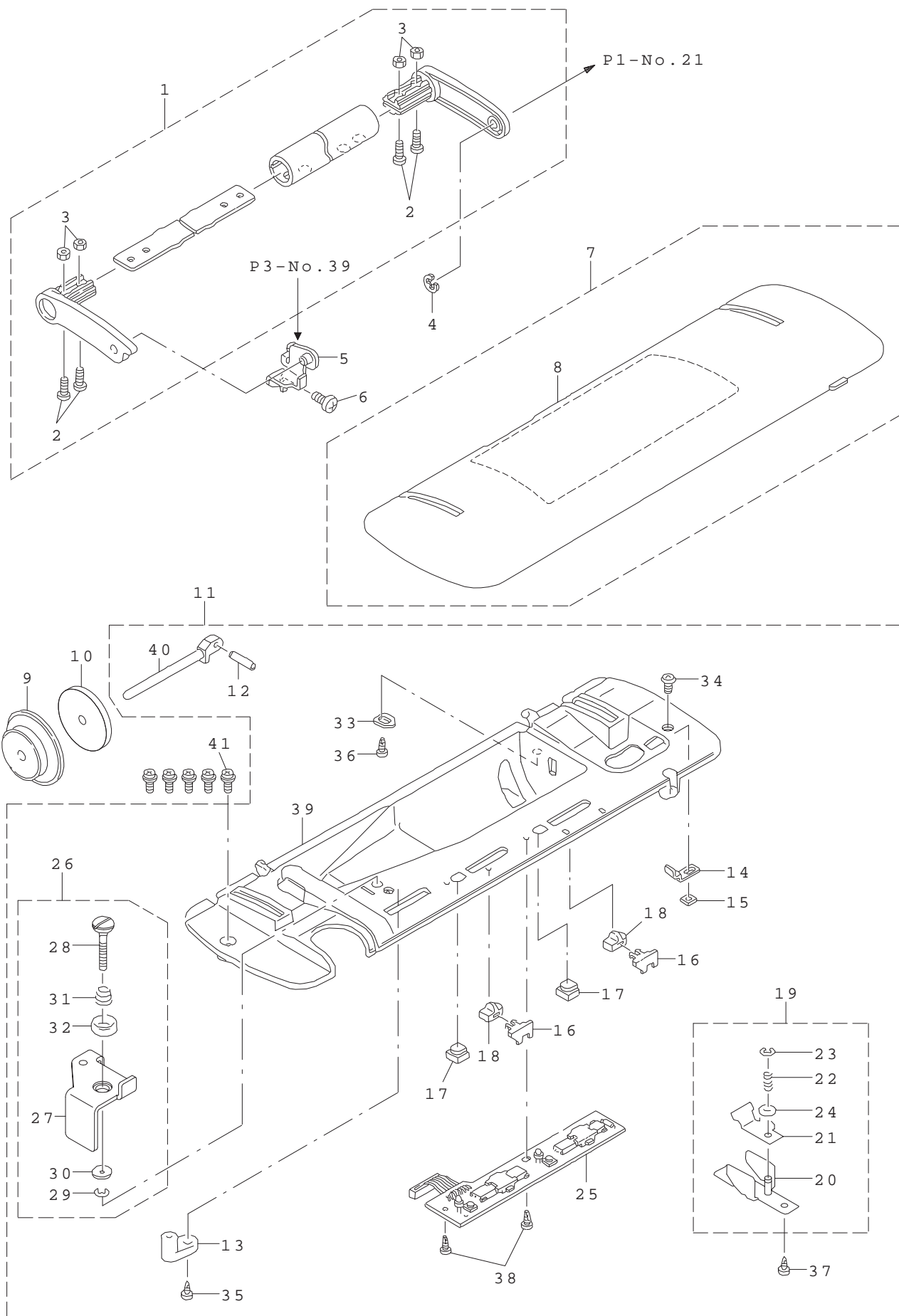
Consequently, please place your order using the part number of assembly containing the part.

1. COVER AND BOBBIN THREAD WINDER COMPONENTS



REF NO.	NOTE	PART NO.	PART DESCRIPTION	Qty
1		A1106030Z00	CYLINDER BED BOTTOM COVER	1
2		SM5030455SF	SCREW	2
3		A1161980000	RUBBER WASHER	3
4		A1171030000	SCREW	3
5		A3115T50000	FACE PLATE COVER	1
6		A3112700000	SCREW	1
7		SM5041255SN	SCREW	1
8		SM8040812TP	ADJUSTER SCREW	1
9		A1162T60ZA0	AUXILIARY BED (ASM.)	1
10		A1162030Z00	AUXILIARY BED	(1)
11		A1163T50000	AUXILIARY BED COVER	(1)
12		A1160T100A0	BOTTOM COVER (ASM.)	1
13		A1160030Z00	BOTTOM COVER	(1)
14		A1161030000	METAL FITTING	(1)
15		A1158770000	SCREW	(1)
16		A1159770000	SPRING	(1)
17		SM5030655SN	SCREW	(1)
18		ST5030851SN	SCREW	(2)
19		A1195T5000C	PRODUCTION INDICATION SEAL	(1)
20		A3201T500C0	BOBBIN THREAD WINDER MOUNTING BASE (MAS. ASM.)	1
21		A3201T500A0	BOBBIN THREAD WINDER MOUNTING BASE (ASM.)	(1)
22		A32040300A0A	BOBBIN THREAD WINDER BASE (ASM.)	(1)
23		A3203030000	HINGE SCREW	(1)
24		A321600100A	RUBBER RING	(1)
25		A3205030000	CLUTCH PLATE	(1)
26		A3206030000	LEAF SPRING	(1)
27		A3226T500A0	WINDER SW. (ASM.)	(1)
28		A3207880000	SPRING	(1)
29		A3205555A00	LOCK NUT	(1)
30		SM5020855SN	SCREW	(1)
31		A407855000B	BAND	(1)
32		SM5040601SE	SCREW	2
33		A3811550000	CORD HOLDER	1
34		SM5040601SF	SCREW	1
35		SM5040855SF	SCREW	3

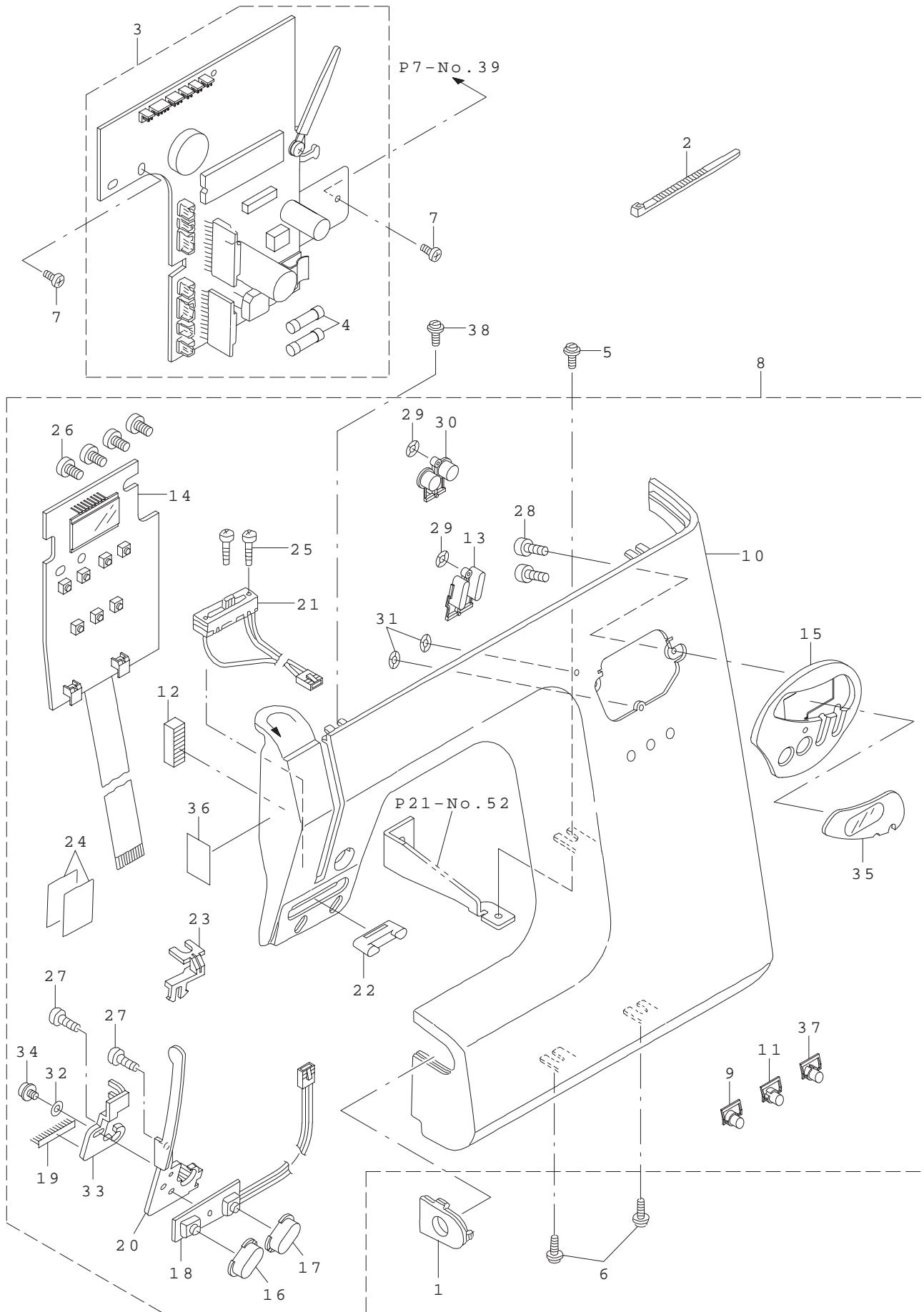
2. UPPER COVER , UPPER PLATE AND BASE TENSION COMPONENTS



REF NO.	NOTE	PART NO.	PART DESCRIPTION	Qty
1		A1120030ZA0	HANDLE (ASM.)	1
2		SM5031001SE	SCREW	(4)
3		NM6030002SD	NUT	(4)
4		RE0400000KR	E RING	1
5		A11240300A0	HANDLE RETAINING PLATE (ASM.)	1
6		SM5040855SF	SCREW	1
7		A1130T60LA0	UPPER COVER (ASM.)	1
8		A1131T60L00	PATTERN DISPLAY PANEL SEAL	(1)
9		A1145030000A	THREAD SPOOL CAP	1
10		A9116008000	FELT	1
11		A1133T60ZA0	UPPER PLATE (ASM.)	1
12		A1138030000	THREAD SPOOL PIN	(1)
13		A1139030Z00	THREAD GUIDE MOUNTING PLATE	(1)
14		A1141030000	SPOOL ADJUSTER PLATE	(1)
15		A1142030000	BOBBIN THREAD AMOUNT ADJUSTING PLATE	(1)
16		A1146030000	CONNECTING PLATE	(2)
17		A1147030000	STITCH LENGTH ADJUSTING SW	(2)
18		A1148030000	MANUAL ADJUSTING KNOB	(2)
19		A1135030ZB0	BASE TENSION (ASM.)	(1)
20	*	A1135030ZA0	BASE TENSIONER PLATE (ASM.)	(1)
21	*	A1136030Z00	BASE TENSIONER PLATE	(1)
22	*	A1138030Z00	SPRING	(1)
23	*	RE0200000KR	E RING	(1)
24	*	WP0260116RZ	WASHER	(1)
25		A3910T500A0	MANUAL CIRCUIT BOARD (ASM.)	(1)
26		A1143T700A0	THREAD GUIDE BASE (ASM.)	(1)
27	*	A1143T70000	THREAD GUIDE BASE	(1)
28	*	A3235030Z00	THREAD GUIDE DISK SHAFT	(1)
29	*	A3236880000	ARCH-SHAPED E RING	(1)
30	*	A3237880000	WASHER	(1)
31	*	A3234550000	SPRING	(1)
32	*	A3233731000	THREAD GUIDE DISK	(1)
33		A1138500000A	SPOOL PIN RETAINING PLATE	(1)
34		SM5030855SN	SCREW	(1)
35		ST5030851SN	SCREW	(1)
36		ST5030851SN	SCREW	(1)
37		ST5030851SN	SCREW	(1)
38		ST5030851SN	SCREW	(2)
39		A1133T60Z00	UPPER PLATE	(1)
40		A1136030000	SPOOL	(1)
41		SM5030855SN	SCREW	5

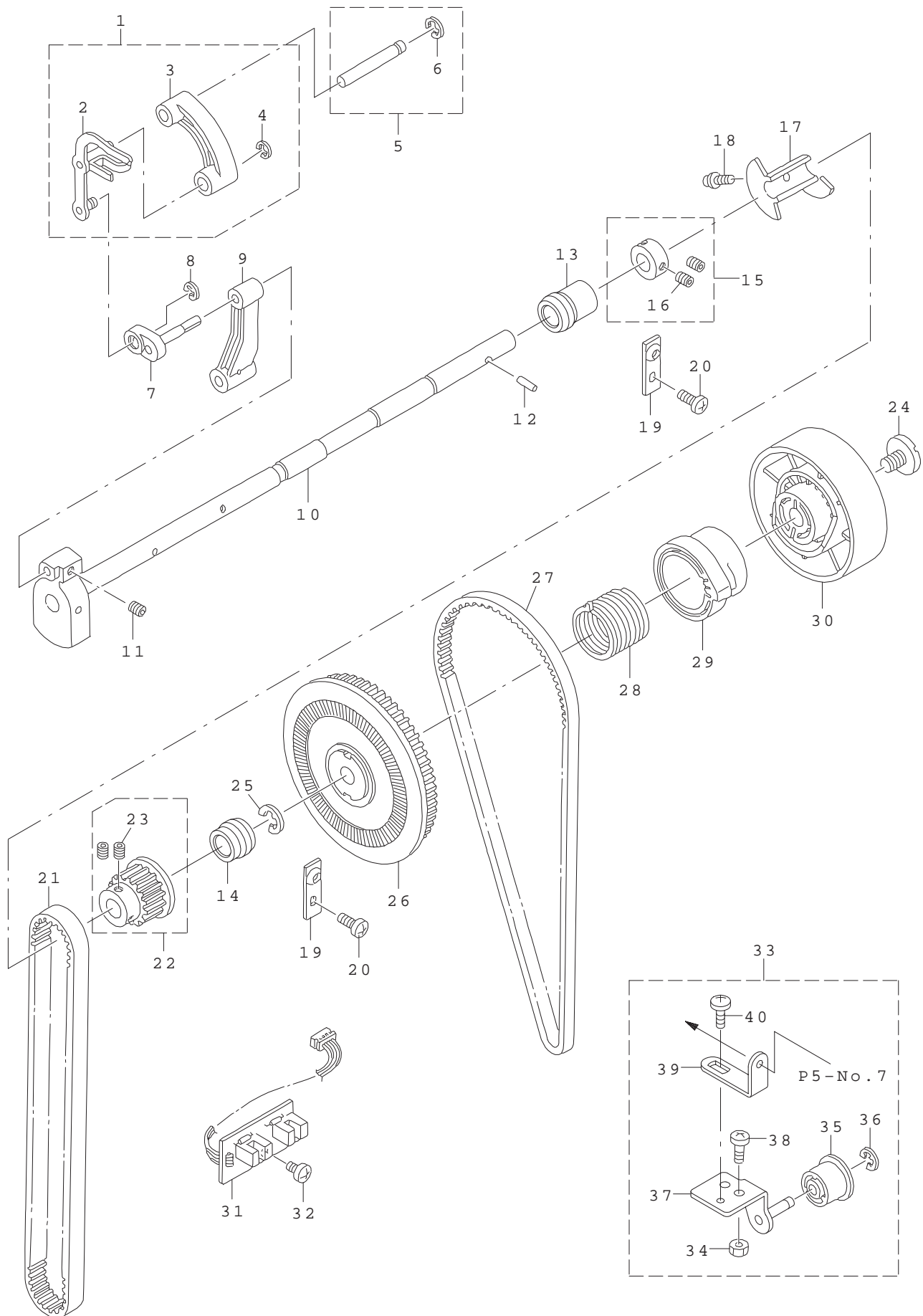
PLEASE REFER TO REMARKS OF CONTENTS FOR PARTS MARKED WITH (*)

3.FRONT PANEL , MICRO COMPUTER CIRCUIT BOARD COMPONENTS



REF NO.	NOTE	PART NO.	PART DESCRIPTION	Qty
1		A3990030Z00	FEED DOG ADJUSTER COVER	1
2		A407855000B	BAND	2
3		A4041T60XA0	MICRO COMPUTER CIRCUIT BOARD (ASM.)(FOR 230V)	1
4		HF0030031P0	FUSE (3.15A)(FOR 230V)	(2)
5		SL5030831SF	SCREW	2
6		SL5030831SF	SCREW	1
7		SM5030655SN	SCREW	2
8		A3901T100A0	FRONT PANEL (ASM.)	1
9		A3909T10000	CLEAR KEY	(1)
10		A3901T10000	FRONT PANEL	(1)
11		A3908T60Z00	MEMORY KEY	(1)
12		A3903039000	TAKE-UP LEVER COVER PILE	(1)
13		A3902T60000	PATTERN SELECTOR BUTTON	(1)
14		A3905T100A0	INDICATOR CIRCUIT BOARD (ASM.)	(1)
15		A3911T53000	DISPLAY PANEL	(1)
16		A4005T10000	START/STOP BUTTON	(1)
17		A4007T50000	REVERSE STITCH BUTTON	(1)
18		A4006T500A0	START/STOP SWITCH CIRCUIT BOARD (ASM.)	(1)
19		A3183039000	START/STOP CIRCUIT BOARD PILE	(1)
20		A4112T50000	START/STOP CIRCUIT BOARD RETAINING PLATE	(1)
21		A4508T500A0	SLIDE VR (ASM.)	(1)
22		A4509T50000	SLIDE VR KNOB	(1)
23		A4510T50000	SLIDE VR C.PLATE	(1)
24		A3922980000	SWITCH LEAD TAPE	(2)
25		SM4020301SC	SCREW	(2)
26		ST5030851SN	SCREW	(4)
27		ST5030851SN	SCREW	(2)
28		ST5030851SN	SCREW	(2)
29		A3921980000	PUSH NUT	(2)
30		A3904T10000	STRAIGHT STITCH,AUTOMATIC BACK TUCK SW. BUTTON	(1)
31		A3921980000	PUSH NUT	(2)
32		WT0430002KS	WASHER	(1)
33		A4113T50000	START/STOP CIRCUIT BOARD RETAINING PLATE B	(1)
34		SL4030431SF	SCREW	(1)
35		A3914T10000	LCD COVER	(1)
36		A380798000F	LAMP CAUTION LABEL	(1)
37		A3907T60Z00	SHIFT KEY	(1)
38		SL5030531SF	SCREW	1

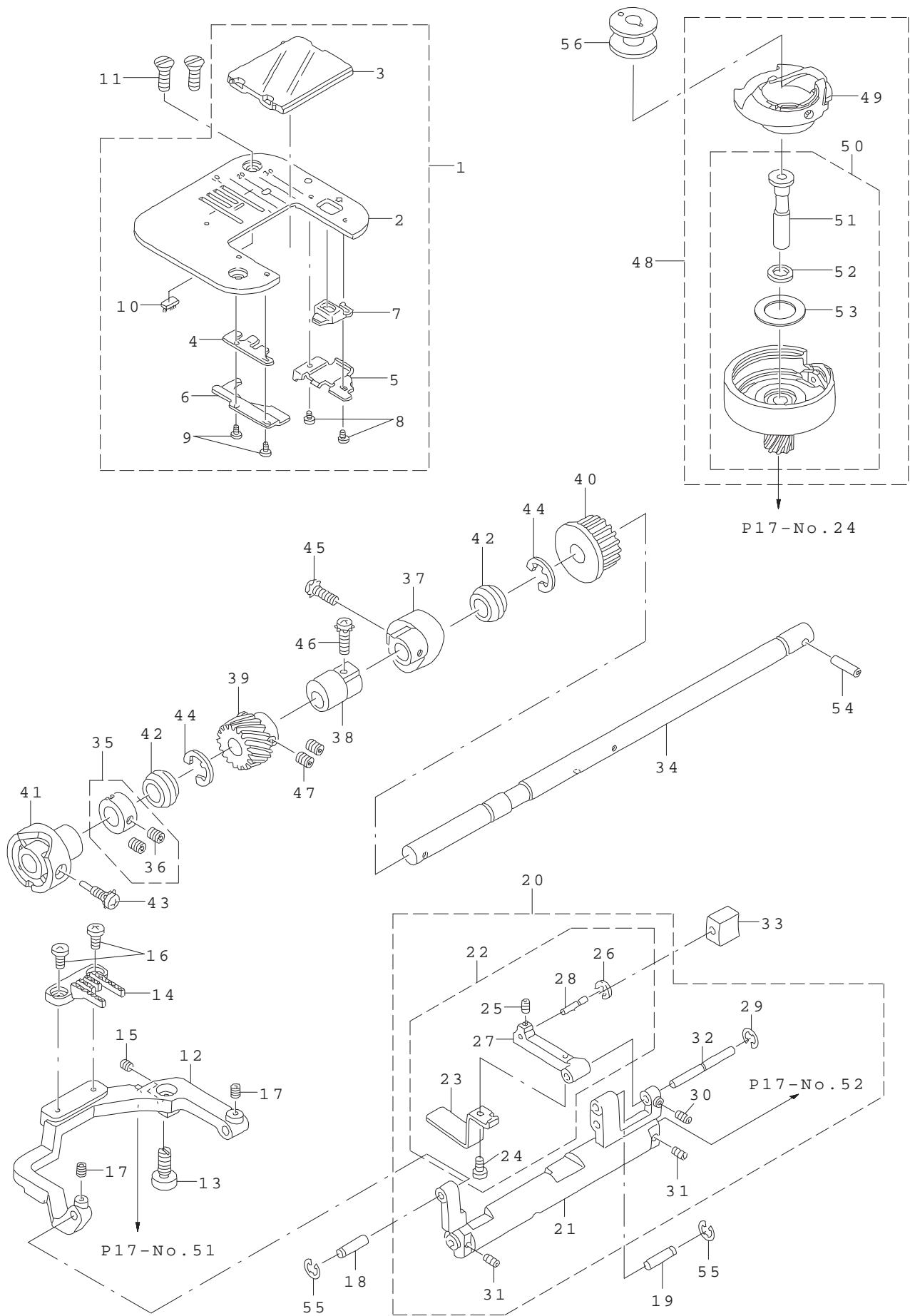
4.MAIN SHAFT , THREAD TAKE-UP LEVER COMPONENTS



REF NO.	NOTE	PART NO.	PART DESCRIPTION	Qty
1		A19010300B0	THREAD TAKE-UP LEVER (MAS. ASM.)	1
2	*	A19010300A0	THREAD TAKE-UP LEVER (ASM.)	(1)
3	*	A1903030000	THREAD TAKE-UP SUPPORT	(1)
4		RE0300000KR	E RING	(1)
5		A19020300A0	THREAD TAKE-UP LEVER SUPPORTING SHAFT (ASM.)	1
6		RE0400000KR	E RING	(1)
7		A1209031000	NEEDLE BAR CRANK	1
8		RE0300000KR	E RING	1
9		A1408031000	NEEDLE BAR CRANK ROD	1
10		A12010310A0	MAIN SHAFT (ASM.)	1
11		SM8040412TP	SCREW	1
12		A1225990000	PIN	1
13		A1205T50000	MAIN SHAFT BUSHING (FRONT)	1
14		A1205031000	MAIN SHAFT BUSHING (REAR)	1
15		A12035500A0A	MAIN SHAFT THRUST COLLAR (ASM.)	1
16		SM8040402TP	SCREW	(2)
17		A1204031000	MAIN SHAFT DETECTOR SHIELDING PLATE	1
18		SL5030831SF	SCREW	1
19		A1207031000	MAIN SHAFT BUSHING RECEIVING PLATE	2
20		SM5040855SF	SCREW	2
21		A7110030000	TIMING BELT (LARGE)	1
22		A12270310A0	MAIN SHAFT PULLEY (ASM.)	1
23		SM8040402TP	SCREW	(2)
24		A1230500000A	SCREW	1
25		RE0900000KR	E RING	1
26		A1232031000	MOTOR PULLEY	1
27		A7112030000	MOTOR BELT	1
28		A1248550000	CLUTCH SPRING	1
29		A1244030000	CLUTCH SPRING HOLDER	1
30		A1228031000	HANDWHEEL	1
31		A4022T500A0	MAIN SHAFT DETECTOR CIRCUIT BOARD (ASM.)	1
32		SM5040601SE	SCREW	1
33		A7204T500C0	IDLER (MAS. ASM.)	1
34		NM6040002SD	NUT	(1)
35	*	A7201030000	IDLER	(1)
36		RE0400000KR	E RING	(1)
37	*	A7204T500A0	IDLER (ASM.)	(1)
38		SM5041001SD	SCREW	(1)
39		A4001T50000	MICRO C.C. BOARD RETAINING PLATE	(1)
40		SM5030655SN	SCREW	(1)

PLEASE REFER TO REMARKS OF CONTENTS FOR PARTS MARKED WITH (*)

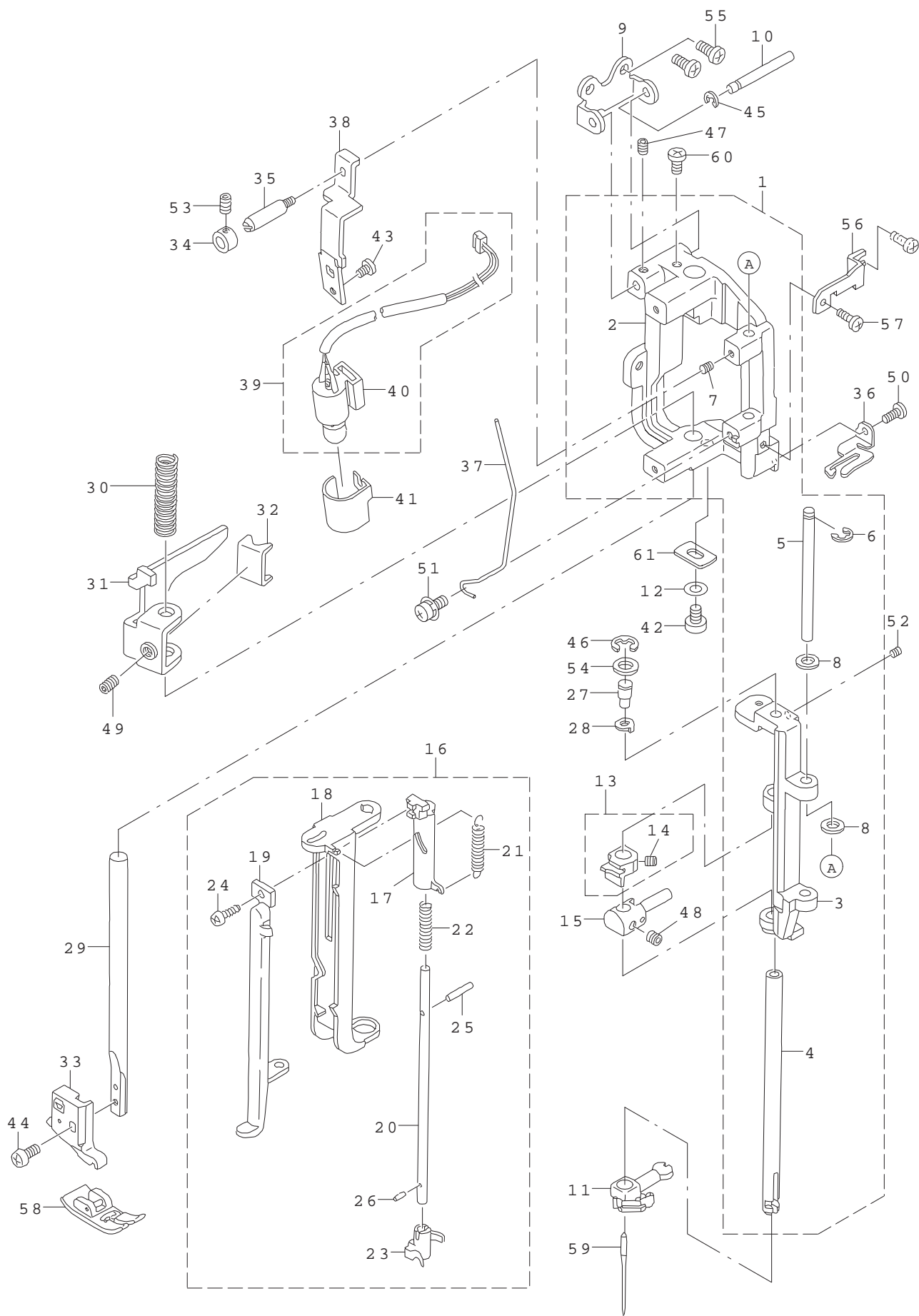
5. THROAT PLATE, HOOK DRIVING SHAFT AND FEED DOG COMPONENTS



REF NO.	NOTE	PART NO.	PART DESCRIPTION	Qty
1		A1109030ZA0	THROAT PLATE (ASM.)	1
2		A1109030Z00	THROAT PLATE	(1)
3		A1110030000	HOOK COVER	(1)
4	*	A1111030000	HOOK COVER INSTALLING BASE (LEFT)	(1)
5	*	A1112030000	HOOK COVER INSTALLING BASE (RIGHT)	(1)
6	*	A1113030000	BOBBIN CASE HOLDER (LEFT)	(1)
7	*	A1114030000	HOOK COVER OPEN/CLOSE BUTTON	(1)
8		SM4020201SF	SCREW	(2)
9		SM4020301SF	SCREW	(2)
10		A1115031000	THROAT PLATE PILE	(1)
11		SM1040800SL	SCREW	2
12		A1602030Z00A	FEED BAR	1
13		A1608030000	FEED REGULATOR SHAFT	1
14		A1635030Z00	FEED DOG	1
15		SM8030302TP	SCREW	1
16		SM5030655SN	SCREW	2
17		SM8030402TP	SCREW	2
18		A1603030Z00	FEED ROCK SHAFT (LFET)	1
19		A1605030Z00	FEED ROCK SHAFT (RIGHT)	1
20		A1612030ZA0	FEED BAR (ASM.)	1
21	*	A1612030Z00	FEED BAR	(1)
22	*	A1614030ZA0	FEED ROCK SHAFT CRANK (ASM.)	(1)
23	*	A1616030Z00	SPRING	(1)
24		SM5030655SN	SCREW	(1)
25		SM8030402TP	SCREW	(1)
26		RE0300000KR	E RING	(1)
27	*	A1614030Z00	FEED ROCK SHAFT CRANK	(1)
28	*	A1620030Z00	SLIDE BLOCK SHAFT	(1)
29		RE0400000KR	E RING	(1)
30		SM8030402TP	SCREW	(1)
31		SM8030402TP	SCREW	(2)
32	*	A1618030Z00	FEED ROCK SHAFT	(1)
33		A1623700000	SLIDE BLOCK	1
34		A1801030000	HOOK DRIVING SHAFT	1
35		A12030300A0	THRUST COLLAR (ASM.)	1
36		SM8040402TP	SCREW	(2)
37		A1604030Z00	FEED ROCK CAM	1
38		A1703030Z00	LATERAL FEED CAM	1
39		A1802031000	HOOK DRIVING GEAR	1
40		A1807030000	HOOK DRIVING SHAFT PULLEY	1
41		A2402030000	THREAD TRIMMER CAM	1
42		A1810880000	HOOK DRIVING SHAFT BUSHING	2
43		A1208700000	SCREW	1
44		RE0700000KR	E RING	2
45		SL5031251SP	SCREW	1
46		SL5031251SP	SCREW	1
47		SM8040402TP	SCREW	2
48		A1830T500D0	HOOK (MAS. ASM.)	1
49		A1837T500A0	INTER-HOOK (ASM.)	(1)
50		A18300310C0	OUTER-HOOK (MAS. ASM.)	(1)
51		A18090310A0	HOOK SHAFT	(1)
52		WP0620516RZ	WASHER	(1)
53		A1833030000	RUBBER MAGNET	(1)
54		PS0200122KH	PIN	1
55		RE0300000KR	E RING	2
56		A9117030Z00	BOBBIN	1

PLEASE REFER TO REMARKS OF CONTENTS FOR PARTS MARKED WITH (*)

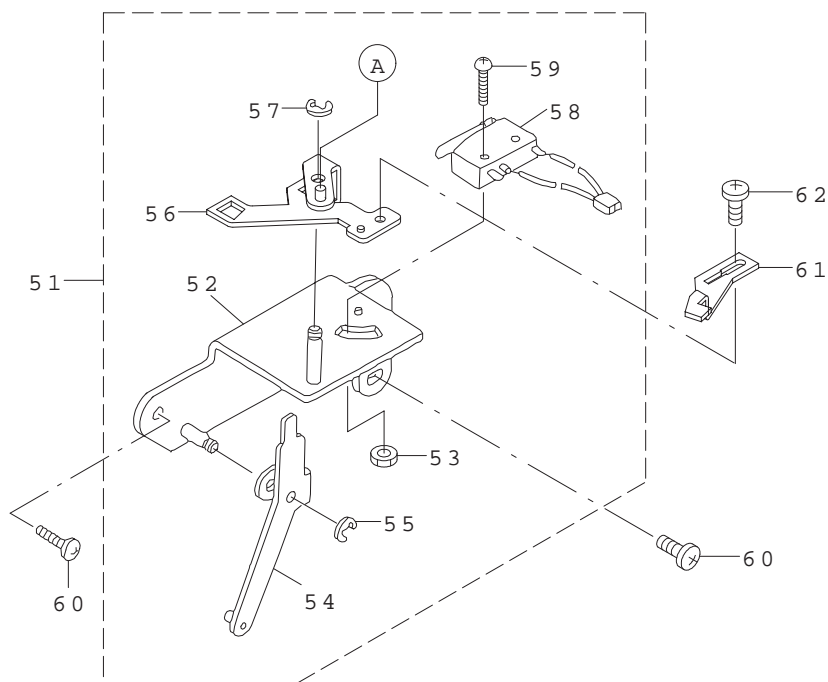
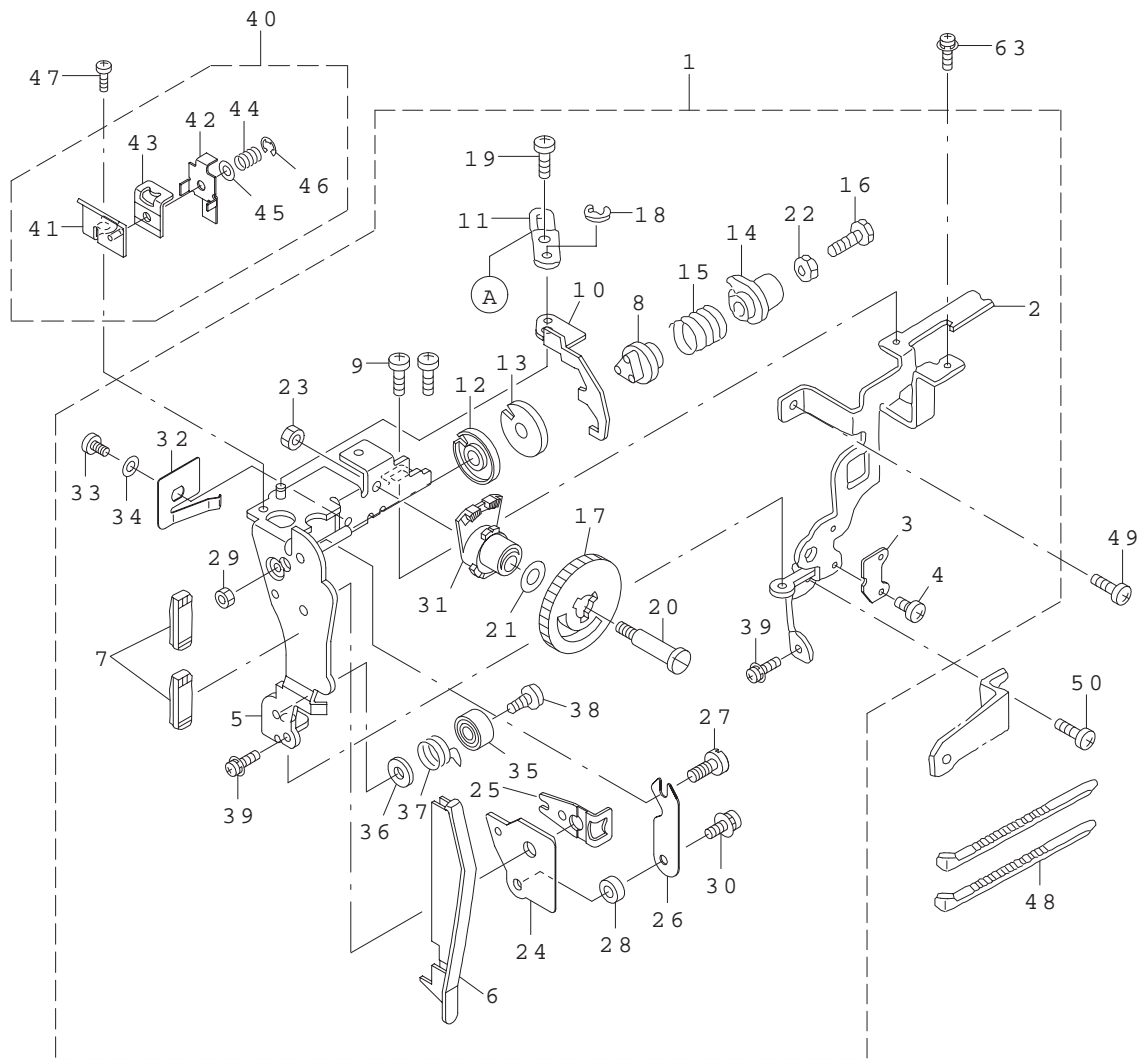
6.NEEDLE BAR , PRESSER BAR AND LAMP COMPONENTS



REF NO.	NOTE	PART NO.	PART DESCRIPTION	Qty
1		A1410030ZA0	NEEDLE BAR ROCKING MOUNTING BASE (ASM.)	1
2	*	A1410030Z00A	NEEDLE BAR ROCKING MOUNTING BASE	(1)
3	*	A1411030Z00A	NEEDLE BAR ROCKING	(1)
4		A1401030ZA0	NEEDLE BAR (ASM.)	(1)
5	*	A1413030000	NEEDLE BAR ROCKING SHAFT	(1)
6		RE0400000KR	E RING	(1)
7		SM8030302TP	SCREW	(1)
8		WP0520516RZ	WASHER	(2)
9		A1404030000	STM SUPPORT	1
10		A1405030000	STM SUPPORT SHAFT	1
11		A14038800A0A	NEEDLE CLAMP (ASM.)	1
12		WP0450516SC	WASHER	1
13		A14120300A0	NEEDLE BAR THREAD GUIDE (ASM.)	1
14		SM8030302TP	SCREW	(1)
15		A1414030ZA0	NEEDLE BAR CONNECTING BRACKET (ASM.)	1
16		A1427030ZA0	NEEDLE THREADER GUIDE (ASM.)	1
17	*	A1426030000	THREAD GUIDE CYLINDER	(1)
18	*	A1427030Z00	NEEDLE THREADER GUIDE	(1)
19	*	A1430030Z00	NEEDLE THREADER	(1)
20	*	A1432030000	SHAFT	(1)
21		A1433030Z00	SPRING	(1)
22	*	A1434030Z00	SPRING	(1)
23		A14409800A0	NEEDLE THREADER HOOK HOLDER (ASM.)	(1)
24		ST4031051SR	SCREW	(1)
25	*	PH0200142C0	PIN (LARGE)	(1)
26	*	PH0200062C0	PIN (SMALL)	(1)
27		A1431030Z00	PIN	1
28		A2280031000	SPRING	1
29		A1501030Z00	PRESSER BAR	1
30		A1505030000	PRESSER SPRING	1
31		A1507030000A	PRESSER BAR POSITION BRACKET	1
32		A1508030000	PRESSER BAR HOLDER	1
33		A15200300A0	PRESSER HOLDER (ASM.)	1
34		A2374030000	COLLAR	1
35		A2375030000A	SHAFT A	1
36		A3108030000A	NEEDLE BAR THREAD GUIDE	1
37		A3184T50000	NEEDLE THREAD GUIDE BAR	1
38		A3805T50000	LIGHT ATTACHING PLATE	1
39		A3801T500A0	LIGHT SOCKET (ASM.)	1
40		A3803880000	LIGHT BULB	(1)
41		A3806030000	LIGHT COVER	1
42		SM9040800SN	SCREW	1
43		SM5030355SN	SCREW	1
44		A1525700000	SCREW	1
45		RE0300000KR	E RING	1
46		RE0400000KR	E RING	1
47		SM8040402TP	SCREW	1
48		SM8040302TP	SCREW	1
49		SM8050602TP	SCREW	1
50		SM5030655SN	SCREW	1
51		SL5030631SF	SCREW	1
52		SM8030302TP	SCREW	1
53		SM8030302TP	SCREW	1
54		WP0611016RZ	WASHER	1
55		SM5040855SF	SCREW	2
56		A1419T50000	GUIDE PLATE	1
57		SM5030655SN	SCREW	1
58		A1524030ZA0	PRESSER FOOT (ASM.)	1
59	*	MHA100B1400	NEEDLE #14	1
60		SM5040601SE	SCREW	1
61		A1440T50000A	STOPPER PLATE	1

PLEASE REFER TO REMARKS OF CONTENTS FOR PARTS MARKED WITH (*)

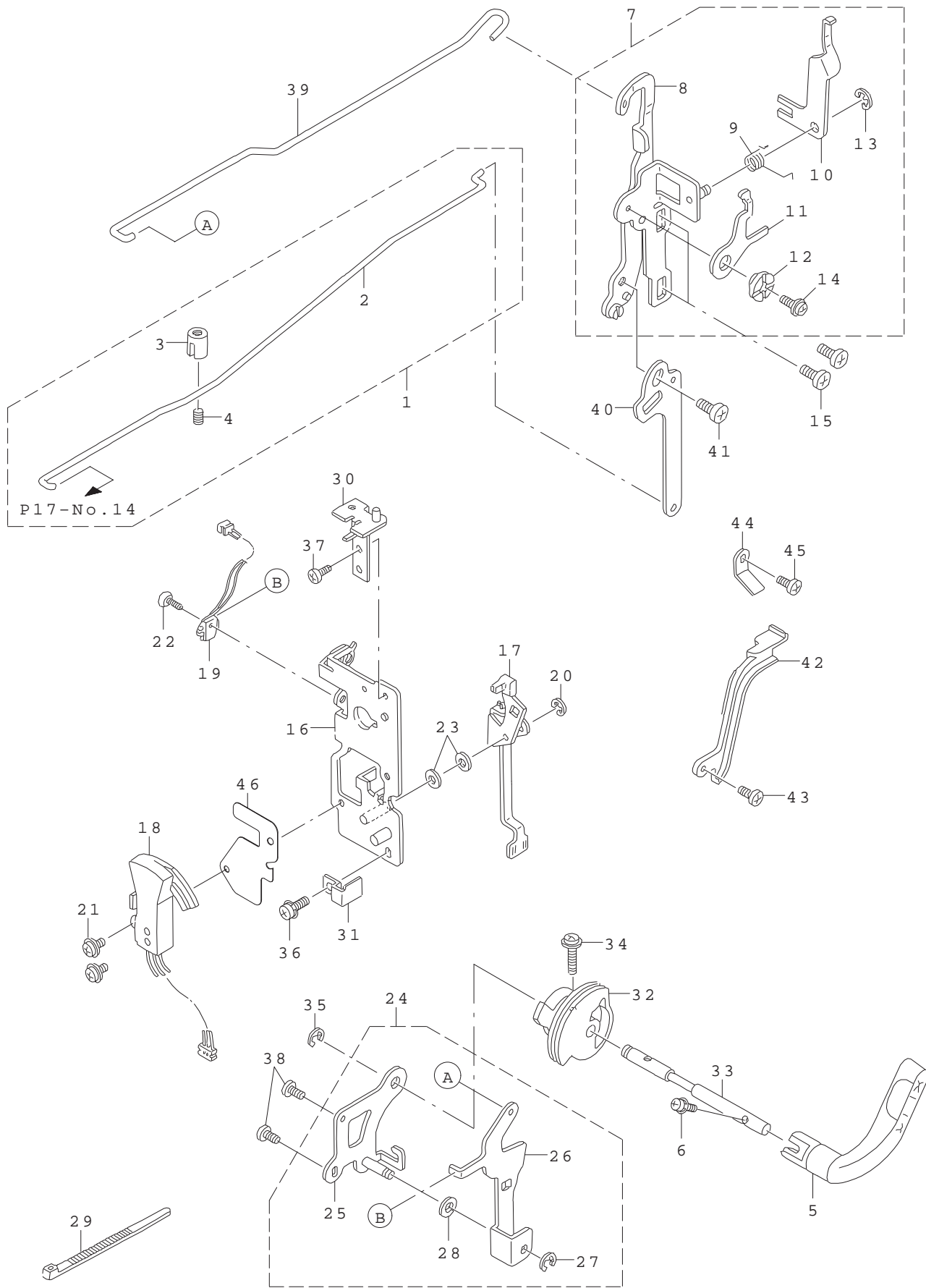
7. TENSION RELEASING PLATE AND ONE-STITCH SW COMPONENTS



REF NO.	NOTE	PART NO.	PART DESCRIPTION	Qty
1		A1513T60ZA0A	OPERATING LEVER SHAFT RECEIVER PLATE (ASM.)	1
2		A1513030Z00	OPERATING LEVER SHAFT RECEIVER PLATE	(1)
3		A1515033000A	OPERATING LEVER STOPPER PLATE	(1)
4		SM5030655SN	SCREW	(1)
5		A3180T500A0	FACE PLATE (ASM.)	(1)
6		A3182T50000	FACE PLATE COVER	(1)
7		A3183039000	FACE PLATE PILE	(2)
8		A3184030Z00	TENSION SPRING BASE A	(1)
9		SL5030631SF	SCREW	(2)
10		A3187T50000	TENSION DISK RELEASING PLATE	(1)
11		A3188030Z00	ADJUSTER PLATE	(1)
12		A3189030Z00	TENSION DISK A	(1)
13		A3190030Z00	TENSION DISK B	(1)
14		A3191030Z00	TENSION SPRING BASE B	(1)
15		A3192T50000	TENSION SPRING	(1)
16		A3193030Z00	SCREW	(1)
17		A3195T60Z00	TENSION KNOB	(1)
18		RE0300000KR	E RING	(1)
19		SM4030401SN	SCREW	(1)
20		A3196030Z00	TENSION KNOB SHAFT	(1)
21		A3197030Z00	WAVE WASHER	(1)
22		A3198030Z00	NUT	(1)
23		A3199030Z00	NUT	(1)
24		A3170T50000	2ND TENSION BASE PLATE	(1)
25		A3162T50000	2ND TENSION DISK	(1)
26		A3164T50000	2ND TENSION SPRING	(1)
27		A3161T50000	SCREW	(1)
28		A3165T50000	COLLAR	(1)
29		NM6S30000SC	NUT	(1)
30		SL5030831SF	SCREW	(1)
31		A3168T50000	TENSION CAM	(1)
32		A3169T50000	TENSION KNOB SPRING	(1)
33		SM5030355SN	SCREW	(1)
34		WP0320501SE	WASHER	(1)
35		A3143030000	SPRING HOLDER	(1)
36		A3144030000	WASHER	(1)
37		A3128030000	THREAD TAKE-UP SPRING	(1)
38		SM5030855SN	SCREW	(1)
39		SL5030831SF	SCREW	(2)
40		A3173T500B0	PRE-TENSION (MAS. ASM.)	1
41	*	A3173T500A0	PRE-TENSION DISK LEFT (ASM.)	(1)
42	*	A3171T50000	PRE-TENSION LEVER	(1)
43	*	A3172T50000	PRE-TENSION DISK RIGHT	(1)
44	*	A3175T50000	PRE-TENSION SPRING	(1)
45		WP0260116RZ	WASHER	(1)
46		RE0200000KR	E RING	(1)
47		SM5030355SN	SCREW	1
48		A407855000B	BAND	3
49		SM5040855SF	SCREW	1
50		SM5041055SN	SCREW	1
51		A2310T500B0	TENSION RELEASE SUPPORTING PLATE (MAS. ASM.)	1
52		A2310030ZA0	TENSION RELEASE SUPPORTING PLATE (ASM.)	(1)
53		A2259555000	NUT	(1)
54		A2313030ZA0	TENSION DISK RELEASING CONTACT (ASM.)	(1)
55		RE0300000KR	E RING	(1)
56		A2314T500A0	TENSION DISK RELEASING LINK PLATE (ASM.)	(1)
57		RE0300000KR	E RING	(1)
58		A3155T500A0	ONE-STITCH SW (ASM.)	(1)
59		SM4831001SF	SCREW	(1)
60		SM5040601SE	SCREW	2
61		A2314T5000A	TENSION DISK RELEASING LINK ADJUSTER PLATE	1
62		SM5030455SF	SCREW	1
63		SL5030531SF	SCREW	1

PLEASE REFER TO REMARKS OF CONTENTS FOR PARTS MARKED WITH (*)

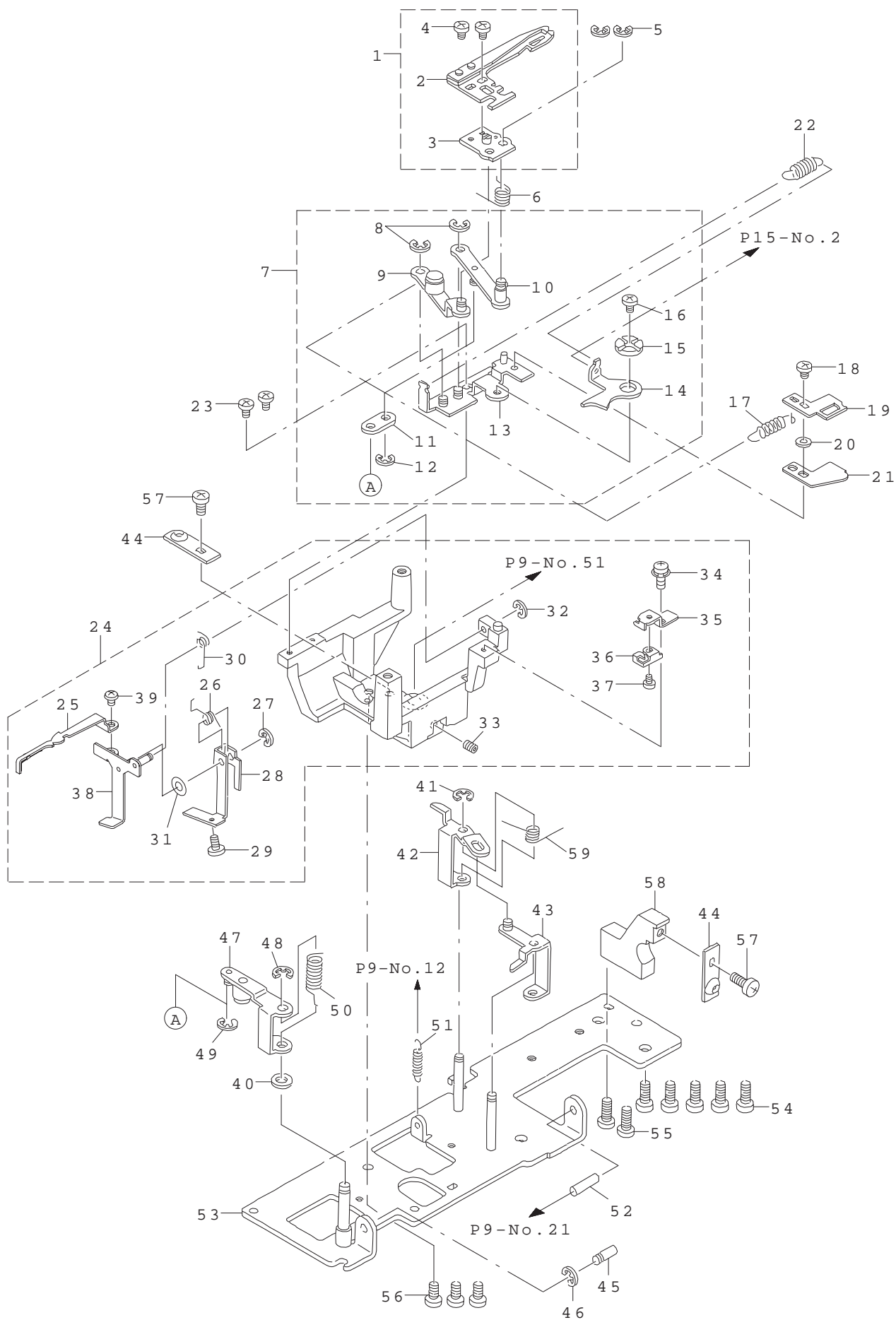
8.THREAD TRIMMER LINK AND OPERATING LEVER COMPONENTS



REF NO.	NOTE	PART NO.	PART DESCRIPTION	Qty
1		A24290330A0	KNIFE SELECTOR LOWER LINK (ASM.)	1
2		A2429033000	KNIFE SELECTOR LOWER LINK	(1)
3		A1709033000	LOOPER LINK PIN	(1)
4		SM8040402TP	SCREW	(1)
5		A1510039000A	OPERATING LEVER	1
6		SL5031251SP	SCREW	1
7		A24390330C0	THREAD TRIMMER LINK ATTACHING PLATE (MAS. ASM.)	1
8	*	A24390330B0	THREAD TRIMMER LINK ATTACHING PLATE (ASM.)	(1)
9	*	A2434033000	THREAD TRIMMER CLUTCH PLATE SPRING	(1)
10	*	A2438033000	THREAD TRIMMER CLUTCH PLATE	(1)
11	*	A2436033000	THREAD TRIMMER CLUTCH PLATE LINK	(1)
12	*	A2435033000	THREAD TRIMMER CLUTCH PLATE LINK COLLAR	(1)
13		RE0300000KR	E RING	(1)
14		SL5030831SF	SCREW	(1)
15		SM5040855SF	SCREW	2
16		A14090300A0A	NEEDLE BAR ROCKING STM MOUNTING BASE (ASM.)	1
17		A23328800A0	BH SELECTOR PLATE (ASM.)	1
18		A2350T500A0	BH SWITCH BASE (ASM.)	1
19		A3227T500A0	THREAD TRIMMER SW. (ASM.)	1
20		RE0400000KR	E RING	1
21		SL5030631SF	SCREW	2
22		SM4831001SF	SCREW	1
23		WP0520516RZ	WASHER	2
24		A15140330B0A	OPERATING LEVER CAM RETAINING PLATE (MAS. ASM.)	1
25	*	A15140300A0	OPERATING LEVER CAM RETAINING PLATE (ASM.)	(1)
26	*	A2442030Z00	THREAD TRIMMER ACTUATING CONTACT	(1)
27		RE0300000KR	E RING	(1)
28		WP0410516RZ	WASHER	(1)
29		A407855000B	BAND	4
30		A14280300A0	THREAD REGULATOR SHAFT MOUNTING PLATE (ASM.)	1
31		A1435030000	THREAD GUIDE FRAME GUIDE PLATE	1
32		A1506030000A	OPERATING LEVER CAM	1
33		A1512030Z00	OPERATING LEVER SHAFT	1
34		A1512880B00	SCREW	1
35		RE0400000KR	E RING	1
36		SL5030831SF	SCREW	1
37		SM5030655SN	SCREW	1
38		SM5030655SN	SCREW	2
39		A2431033000	KNIFE SELECTOR UPPER LINK	1
40		A2446033000	THREAD TRIMMER LINK ADJUSTER PLATE	1
41		SM5040855SF	SCREW	1
42		A1102033000	LIFTER HOLE LID	1
43		SM5030655SN	SCREW	1
44		A1103033000	METAL FITTING	1
45		SM5030455SF	SCREW	1
46		A2350009000	BH SWITCH PLATE PROTECTION SHEET	1

PLEASE REFER TO REMARKS OF CONTENTS FOR PARTS MARKED WITH (*)

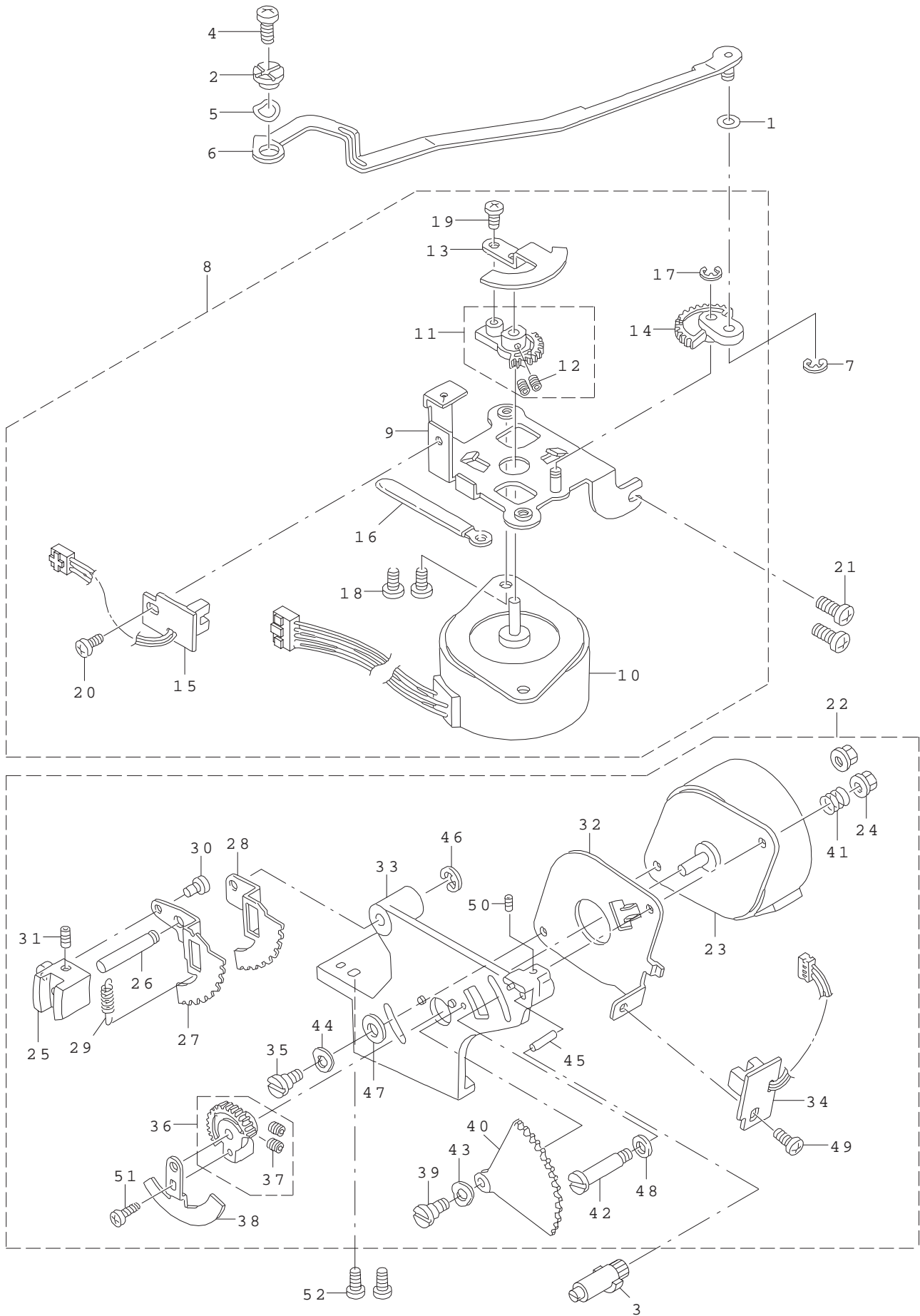
9.MOVING KNIFE COMPONENTS



REF NO.	NOTE	PART NO.	PART DESCRIPTION	Qty
1		A1870T500B0	MOVING KNIFE (MAS. ASM.)	1
2	*	A1870T500A0	MOVING KNIFE (ASM.)	(1)
3	*	A18750330A0	MOVING KNIFE ATTACHING PLATE (ASM.)	(1)
4	*	SM5030355SN	SCREW	(2)
5		RE0300000KR	E RING	2
6		A1879033000	SPRING	1
7		A24203300B0	KNIFE REMOVING PLATE ATTACHING PLATE (ASM.)	1
8	*	RE0300000KR	E RING	(2)
9	*	A18820330A0	MOVING KNIFE LINK B (ASM.)	(1)
10	*	A18800330A0	MOVING KNIFE LINK A (ASM.)	(1)
11	*	A2416033000	KNIFE DRIVE LINK CONNECTING PLATE	(1)
12		RE0300000KR	E RING	(1)
13	*	A24200300A0	KNIFE REMOVING PLATE ATTACHING PLATE (ASM.)	(1)
14	*	A2422033000	KNIFE REMOVING	(1)
15	*	A2435700000	KNIFE REMOVING PLATE COLLAR	(1)
16		SM5030501SC	SCREW	(1)
17		A241803300B	MOVING KNIFE LIFTING PREVENTING SPRING	1
18		SM5030501SC	SCREW	1
19		A1876033000	GUIDE PLATE (UPPER)	1
20		A1878033000	COLLAR	1
21		A1877T50000	GUIDE PLATE (LOWER)	1
22		A2427033000	SPRING	1
23		SM5030401SN	SCREW	2
24		A1850T500A0D	HOOK INSTALLING BASE (ASM.)	1
25		A1705T500AAA	LOOPER (ASM.)	(1)
26		A1712030000	SPRING	(1)
27		RE0200000KR	E RING	(1)
28		A1706030000	LOOPER ADJUSTING PLATE	(1)
29		SM5030355SN	ADJUSTER SCRWE	(1)
30		A1708030000	SPRING	(1)
31		WP0410316RZ	WASHER	(1)
32		RE0200000KR	E RING	(1)
33		SM8040402TP	SCREW	(1)
34		SL5030631SF	SCREW	(1)
35		A1835030000	INTER-HOOK HOLDING PLATE	(1)
36		A1836030000	INTER-HOOK HOLDING PLATE SPRING	(1)
37		SM4020201SF	SCREW	(1)
38		A1705T500AB	LOOPER (ASM.)(B)	(1)
39		SM5030455SN	SCREW	(1)
40		WP0520516RZ	WASHER	1
41		RE0300000KR	E RING	1
42		A1715033000	LOOPER LINK PLATE	1
43		A17160330A0	LOOPER LINK PLATE CONTACT (ASM.)	1
44		A1811880000	BUSHING RECEIVING PLATE	2
45		A1600030Z00	FEED ROCK SHAFT (LEFT)	1
46		RE0300000KR	E RING	1
47		A24190330A0	KNIFE DRIVING LINK (ASM.)	1
48		RE0400000KR	E RING	1
49		RE0300000KR	E RING	1
50		A2421033000	SPRING	1
51		A1638030000	SPRING	1
52		A1601030Z00	FEED ROCK SHAFT (RIGHT)	1
53		A11800330A0	CYLINDER BAD COMPONENT CRADLE	1
54		SM5040855SF	SCREW	5
55		SM5040855SF	SCREW	2
56		SM5040855SF	SCREW	3
57		SM5040855SF	SCREW	2
58		A1183030000	HOOK DRIVING SHAFT HOLDER	1
59		A1718033000	SPRING	1

PLEASE REFER TO REMARKS OF CONTENTS FOR PARTS MARKED WITH (*)

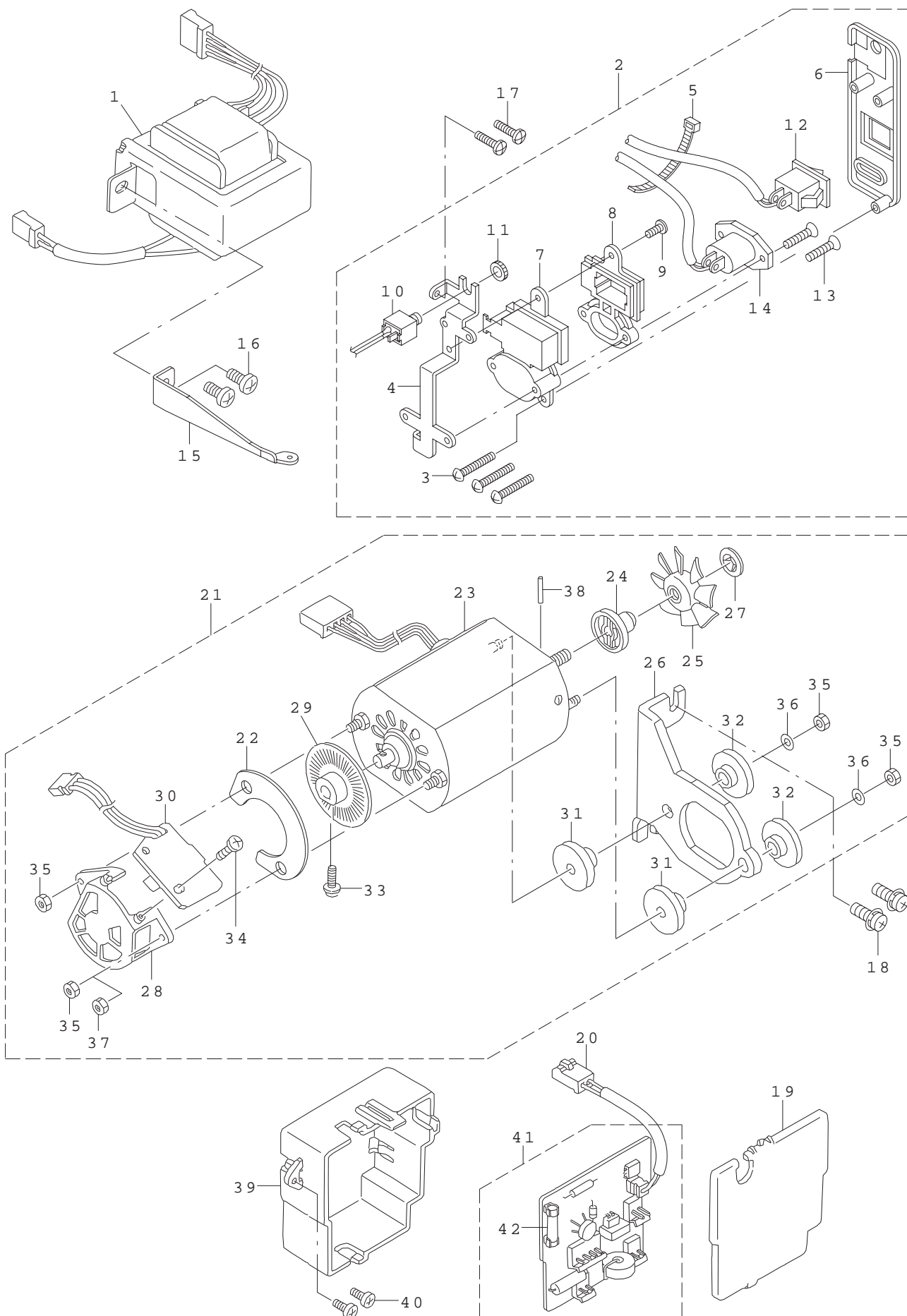
10.NEEDLE BAR ROCKING STM AND FEED STM COMPONENTS



REF NO.	NOTE	PART NO.	PART DESCRIPTION	Qty
1		A1472030000	SPRING WASHER	1
2		A1475030Z00A	NEEDLE POSITION ADJUSTING COLLAR	1
3		A1654030Z00	FEED REGULATOR GEAR (B)	1
4		SM5031001SN	SCREW	1
5		A2110880000	WASHER (NEEDLE ENTRY POINT)	1
6		A1470030ZA0	NEEDLE BAR ROCKING CAM (ASM.)	1
7		RE0300000KR	E RING	1
8		A2101T500B0	NEEDLE BAR ROCKING STM MOUNTING BASE (MAS. ASM.)	1
9	*	A2101030ZA0	NEEDLE BAR ROCKING STM MOUNTING BASE (ASM.)	(1)
10	*	A2102T500A0	NEEDLE BAR ROCKING STM (ASM.)	(1)
11	*	A21030300A0	NEEDLE BAR ROCKING STM GEAR (ASM.)	(1)
12	*	SM8030302TP	SCREW	(2)
13	*	A2104030Z00	SHIELDING PLATE	(1)
14	*	A2105030000	NEEDLE BAR ROCKING STM LINK GEAR	(1)
15		A2109T500A0	NEEDLE BAR ROCKING DETECTOR CIRCUIT BOARD (ASM.)	(1)
16	*	A3811550000	CORD HOLDER	(1)
17		RE0300000KR	E RING	(1)
18	*	SM5040855SF	MOUNTING SCREW	(2)
19		ST5030851SN	SCREW	(1)
20		SM5030655SN	SCREW	(1)
21		SM5040855SF	SCREW	2
22		A1660T500B0	FEED STM (MAS. ASM.)	1
23	*	A1660T500A0	FEED STM (ASM.)	(1)
24	*	NM0044250SN	NUT	(2)
25	*	A1622030Z00	FEED REGULATOR	(1)
26	*	A1621030Z00	FEED REGULATOR SHAFT	(1)
27	*	A1625030Z00	FEED REGULATOR GEAR (A)	(1)
28	*	A1626030Z00	FEED REGULATOR GEAR (B)	(1)
29	*	A1627030Z00	SPRING	(1)
30	*	SM5030655SN	SCREW	(1)
31	*	SM8040402TP	SCREW	(1)
32	*	A1644030Z00	FEED STM REGULATOR PLATE	(1)
33	*	A1645030Z00	FEED STM MOUNTING BASE	(1)
34		A1646T500A0	FEED DETECTOR CIRCUIT BOARD (ASM.)	(1)
35	*	A1647030Z00	HINGE SCREW	(1)
36	*	A16480300A0	FEED STM GEAR (ASM.)	(1)
37	*	SM8030302TP	SCREW	(2)
38	*	A1649030000	SHIELDING PLATE	(1)
39	*	A1650030Z00	FEED ADJUSTING GEAR (A) SHAFT	(1)
40	*	A1653030Z00	FEED ADJUSTING GEAR (A)	(1)
41	*	A1655030Z00	SPRING	(1)
42	*	A1656030Z00	HINGE SCREW	(1)
43	*	A1472030000	SPRING WASHER	(1)
44	*	A2110700000	SPRING WASHER	(1)
45		PH0400282C0	FEED REGULATOR GEAR (B) SHAFT	(1)
46	*	RE0400000KR	E RING	(1)
47	*	WP0620516RZ	WASHER (A)	(1)
48	*	WP0460516RZ	WASHER (B)	(1)
49		SM5030655SN	SCREW	(1)
50		SM8030402TP	SCREW	(1)
51	*	ST5030851SN	SCREW	(1)
52		SM5040855SF	SCREW	2

PLEASE REFER TO REMARKS OF CONTENTS FOR PARTS MARKED WITH (*)

11.MOTOR AND POWER CIRCUIT BOARD COMPONENTS



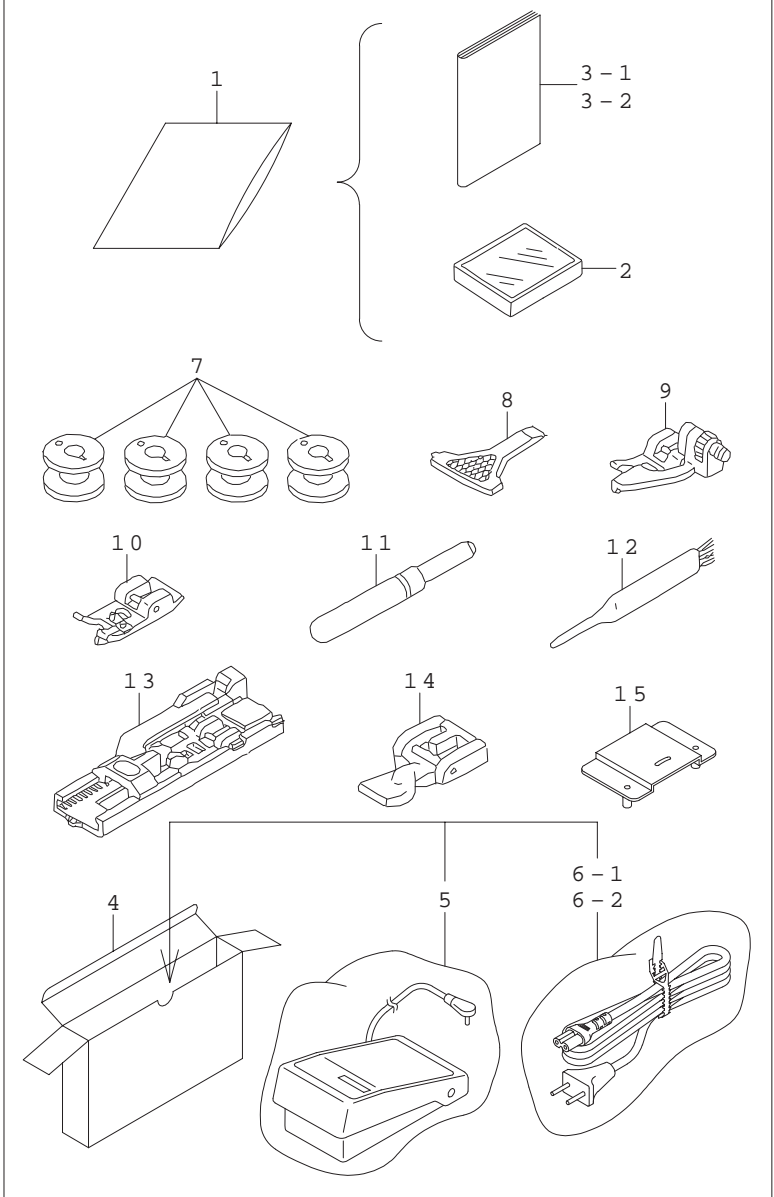
REF NO.	NOTE	PART NO.	PART DESCRIPTION	Qty
1		A4505030XA0A	POWER TRANSFORMER (ASM.)(FOR 230V)	1
2		A4501T60XA0	POWER SW. MOUNT. BASE (ASM.)(FOR 230V)	1
3		ST5030851SN	SCREW	(3)
4		A4501T60X00	POWER SW. MOUNT. BASE (FOR 230V)	(1)
5		A407855000B	BAND	(1)
6		A4502T60X00	POWER SW. COVER (FOR 230V)	(1)
7		A4503030Z00A	INLET BOX	(1)
8		A4504030Z00	INLET BOX COVER	(1)
9		SM5030655SN	SCREW	(1)
10		A4015T60XA0	SPEED CONTROLLER RECEPTACLE (ASM.)(FOR 230V)	(1)
11		A4014008X00	NUT	(1)
12		A4032030ZA0	POWER SW. (ASM.)	(1)
13		SM1032801SS	SCREW	(2)
14		A4427030XA0	POWER CORD INLET (ASM.)(FOR 230V)	(1)
15		A3912T50000	METAL FITTING	1
16		SM5040855SF	SCREW	2
17		SM5030655SN	SCREW	2
18		SL4051291SF	SCREW	2
19		A4017030Z00	ELECTRICAL COMPONENT BOX COVER	1
20		A4110T60XA0	POWER CIRCUIT BOARD LEAD WIRE (ASM.)(FOR 230V)	1
21		A7100T60XB0	MOTOR (ASM.) B (FOR 230V)	1
22		A712598000F	MOTOR CIRCUIT BOARD INSULATING SHEET	(1)
23	*	A7100030XA0A	MOTOR (ASM.) A (230V)	(1)
24	*	A710003000A	MOTOR SHAFT PULLEY	(1)
25	*	A710003000B	MOTOR SHAFT PULLEY FLANGE	(1)
26	*	A7101030Z00A	MOTOR BRACKET	(1)
27	*	A7130030000	LOCK NUT	(1)
28		A7120880000	MOTOR PULSE DETECTOR CIRCUIT BOARD MOUNTING BASE	(1)
29		A7121880000	SHIELDING PLATE	(1)
30		A7122T500A0	MOTOR PULSE DETECTOR CIRCUIT BOARD (ASM.)	(1)
31	*	A712398000F	MOTOR INSULATOR RING (FOR 230V)	(2)
32	*	A712498000F	MOTOR INSULATING BUSHING (FOR 230V)	(2)
33		SL5031251SP	SCREW	(1)
34		ST5030851SN	SCREW	(1)
35		NM6040002SF	NUT	(4)
36		WP0450801SC	WASHER	(2)
37		NM6040001RZ	NUT (INSULATION)(ONLY 230V)	(1)
38	*	PS0200142KH	PULLEY PIN	(1)
39		A4016030Z00	ELECTRICAL COMPONENT BOX	1
40		SM5030655SN	SCREW	2
41		A4040030XA0B	POWER CIRCUIT BOARD (ASM.)(FOR 230V)	1
42		HF0030031P0	FUSE (3.15A)(FOR 230V)	(1)

ACCESSORIE PART NO.10

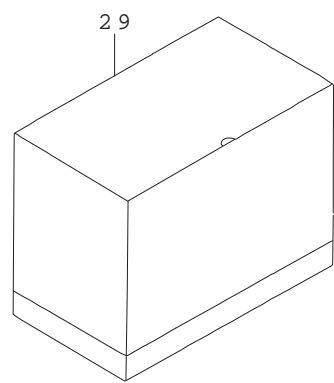
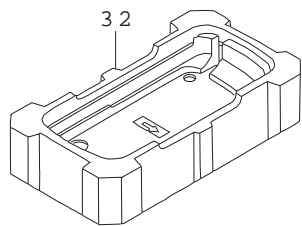
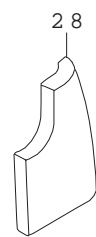
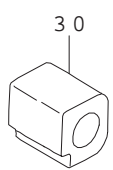
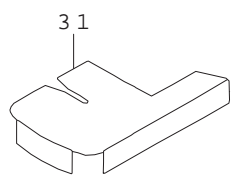
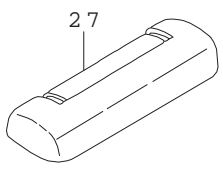
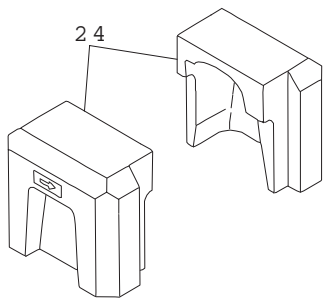
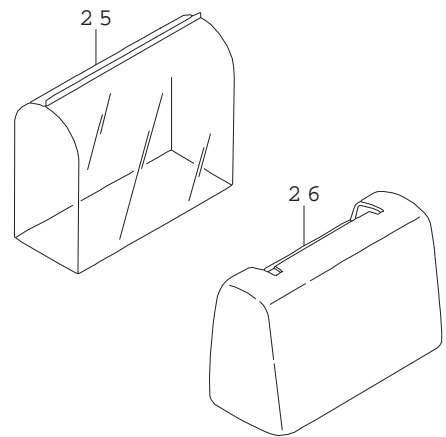
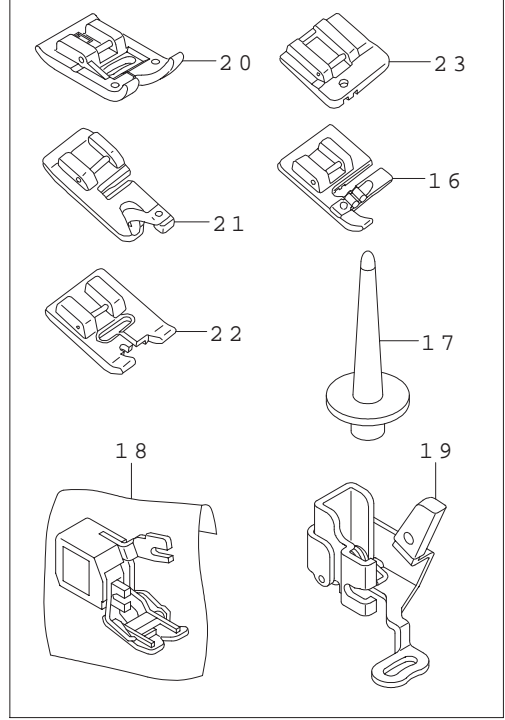
PLEASE REFER TO REMARKS OF CONTENTS FOR PARTS MARKED WITH (*)

12.ACCESSORIES , OPTIONAL AND PACKING MATERIALS COMPONENTS

ACCESSORIES PARTS



OPTIONAL PARTS



REF NO.	NOTE	PART NO.	PART DESCRIPTION	Qty
1		A918198000D	VINYL BAG	1
2		A91405550A0	NEEDLE (SET)	1
3-1		AJT10XS0B0A	INSTRUCTION MANUAL (ENG, SPN, FRA)	1
3-2		AJT10CS0B0A	INSTRUCTION MANUAL (RUS)	1
4		AJ221980A0I	SPEED CONTROLLER BOX	1
5		A710250C0A0	SPEED CONTROLLER (ASM.)	1
6-1		A44219800AF	ELECTRIC POWER CORD (ASM.)(CEE)	1
6-2		A44219800BHA	ELECTRIC POWER CORD (ASM.)(BS)	1
7		A9117030000	BOBBIN	4
8		A9110700000	SCREWDRIVER	1
9		A91367000A0	BLIND STITCH PRESSER FOOT (ASM.)	1
10		A91417000A0	OVEREDGING PRESSER FOOT (ASM.)	1
11		A9131990000	SEAM RIPPER	1
12		A9137956000	BRUSH	1
13		A9127T500A0	BUTTONHOLING PRESSER FOOT (ASM.)	1
14		A91337000A0	ZIPPER SEWING PRESSER FOOT (ASM.)	1
15		A9145030ZB0	EMBROIDERY NEEDLE PLATE (ASM.)	1
16		A91297000A0	CORDING PRESSER FOOT (ASM.)	1
17		A9148030Z00	SPOOL PIN	1
18		A9150T60ZA0	EVEN FEED FOOT (ASM.)	1
19		A5133T500B0	DARNING FOOT (ASM.)	1
20		A92018800A0A	TEFLON PRESSER FOOT (ASM.)	1
21		A91047000A0	ROLLED HEMMING PRESSER FOOT (ASM.)	1
22		A91905000A0	MANUAL BUTTON HOLING PRESSER FOOT (ASM.)	1
23		A91337000AA	CONCEALED ZIPPER PRESSER FOOT (ASM.)	1
24		J0221X30A0A	STYROFOAM (OUTSIDE)(ASM.)	1
25		J0231550A00	POLETHYLENE BAG	2
26		A8401T50000	HARD CASE (ASM.)	1
27		J0221030A0C	STYROFOAM (INSIDE)	1
28		J0221030A0F	STYROFOAM (LEFT)	1
29		J0202T10A0C	CARTON CASE	1
30		J0221030A0D	STYROFOAM (UNDER ARM)	1
31		J0223030A00	CUSHION FOR NEEDLE BAR	1
32		J0221X30A0E	STYROFOAM (LOWER)	1

JUKI®

JUKI CORPORATION

HOUSEHOLD SEWING MACHINE DIV.
8-2-1, KOKURYO-CHO, CHOFU-SHI
TOKYO 182-8655, JAPAN
PHONE : (81)3-3480-5034
Facsimile : (81)3-3480-5037

Copyright © 2002 JUKI CORP.
All rights reserved throughout the world.
29363504