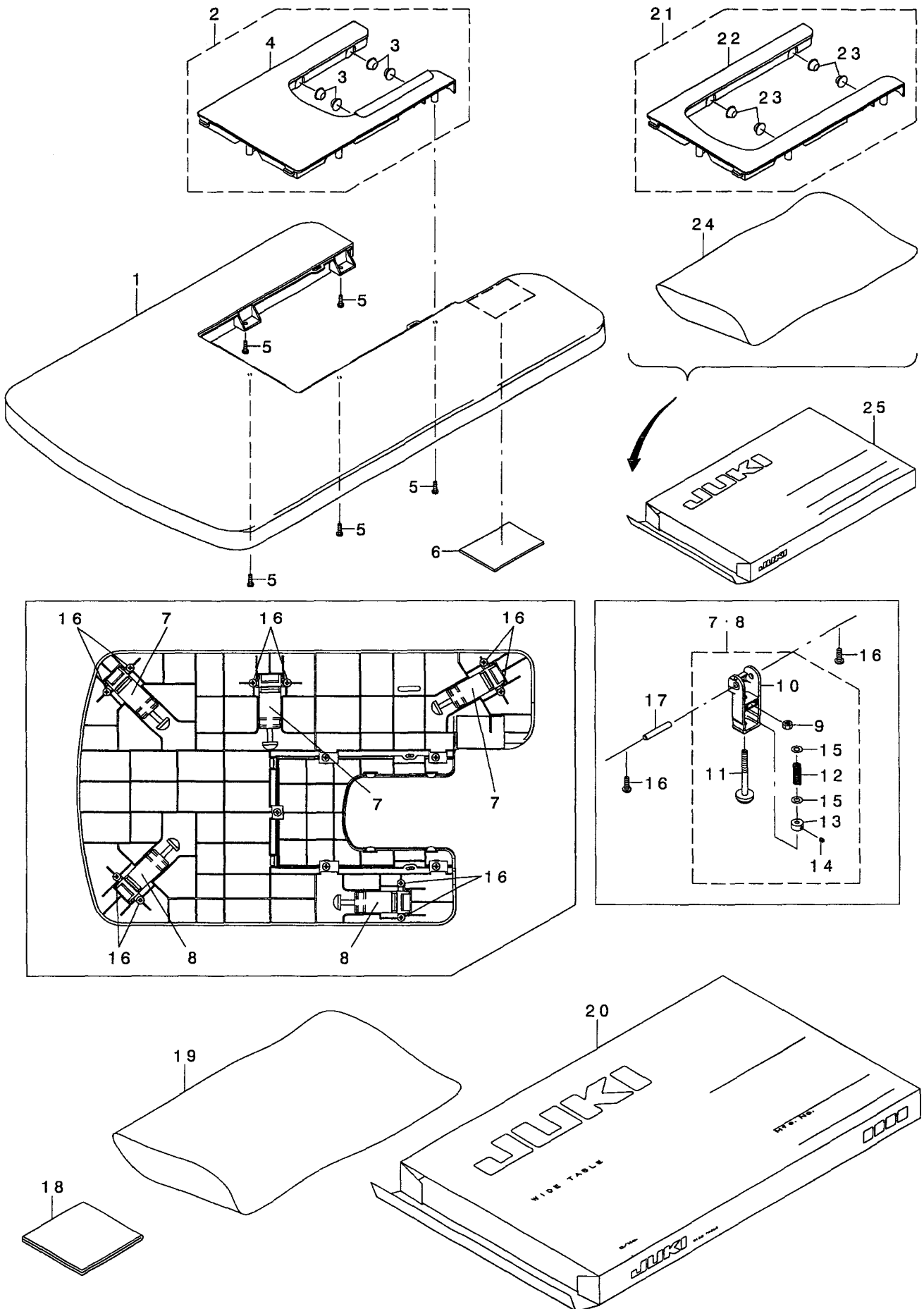


## WIDE TABLE (E / T Series)

# PARTS LIST



No.	NOTE	PART No.	PART DESCRIPTION	Qty
1		A9501-E50-000	WIDE TABLE	1
2	#01	A9502-E50-0A0	FREE ARM PIECE ASM.	1
3		A9503-E50-000	CLEAT	(4)
4	#01	A9502-E50-000	FREE ARM PIECE	(1)
5		ST-5031051-SN	SCREW	5
6		A9508-E50-000	PROTECTOR	1
7		A9504-E50-0AA	SEWING TABLE FOOT ASM. A	3
8		A9504-E50-0AB	SEWING TABLE FOOT ASM. B	2
9		NM-6050002-SS	NUT	(5)
10		A9504-E50-000	SEWING TABLE FOOT	(5)
11		A9505-E50-000	SCREW	(5)
12		A9506-E50-000	SPRING	(5)
13		073169007-000	COLLAR	(5)
14		SM-8030302-TP	SCREW	(5)
15		WP-0500816-SF	SPRING WASHER	(10)
16		ST-5041211-SN	SCREW	10
17		A9507-E50-00A	STOPPER PIN A	5
18		A9515-E50-000	INSTRUCTION MANUAL	1
19	#01	A9513-E50-000	VINYL BAG	1
20	#01	A9509-E50-000	CARTON CASE	1
21	#02	A9502-T70-0A0	FREE ARM PIECE ASM.	1
22	#02	A9502-T70-000	FREE ARM PIECE	(1)
23		A9503-E50-000	CLEAT	(4)
24	#02	A9514-T70-000	VINYL BAG	1
25	#02	A9512-T70-000	CARTON CASE	1

#01... FOR E SERIES

#02... FOR T SERIES

(REMARKS) 1. PARTS STRUCTURE OF NO. 9 IS SAME AS NO. 8 HEIGHT OF ADJUSTMENT SCREW ONLY IS DIFFERENT FROM EACH OTHER.

# JUKI®

**JUKI CORPORATION**

HOUSEHOLD SEWING MACHINE DIV.  
8-2-1, KOKURYO-CHO, CHOFU-SHI  
TOKYO 182-8655, JAPAN  
PHONE : (81)3-3480-5034  
Facsimile : (81)3-3480-5037

Copyright © 2003 JUKI CORP.  
All rights reserved throughout the world.

29365400

2003.02 Printed in Japan