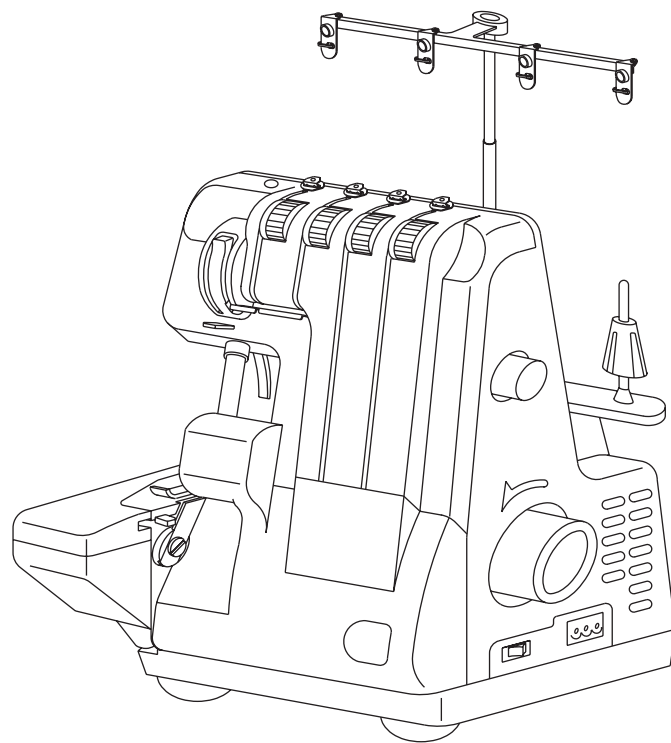
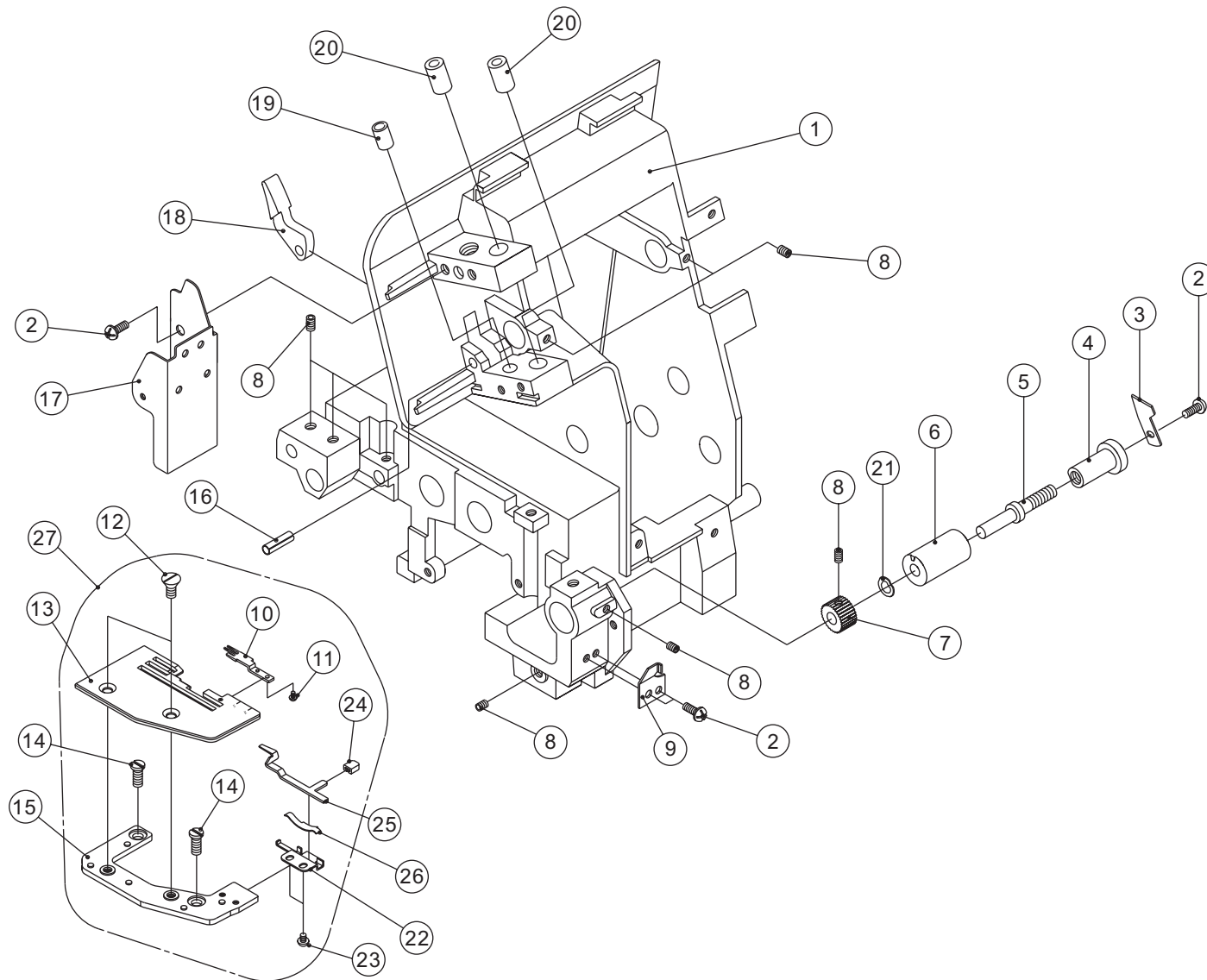


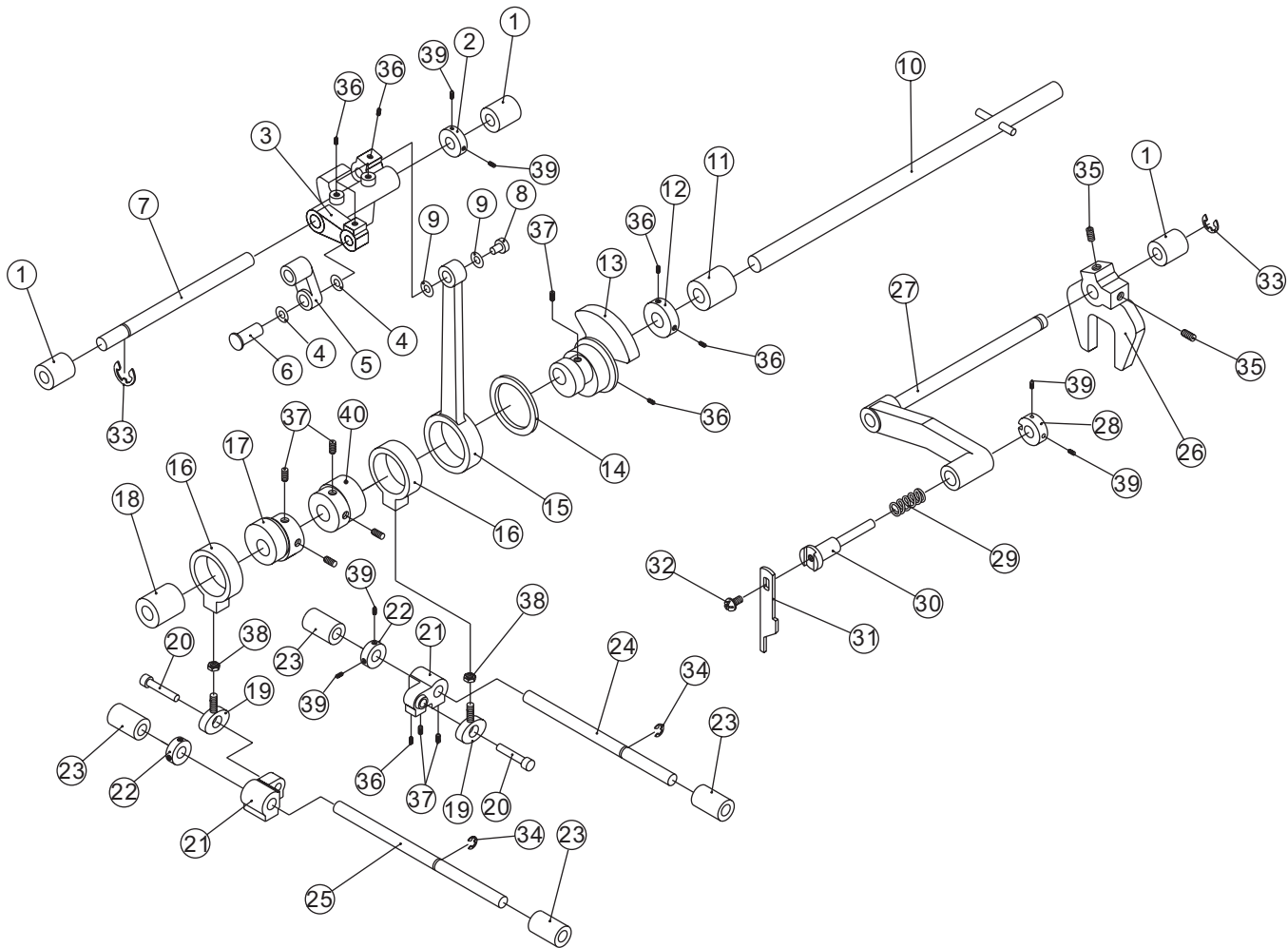
# Parts List





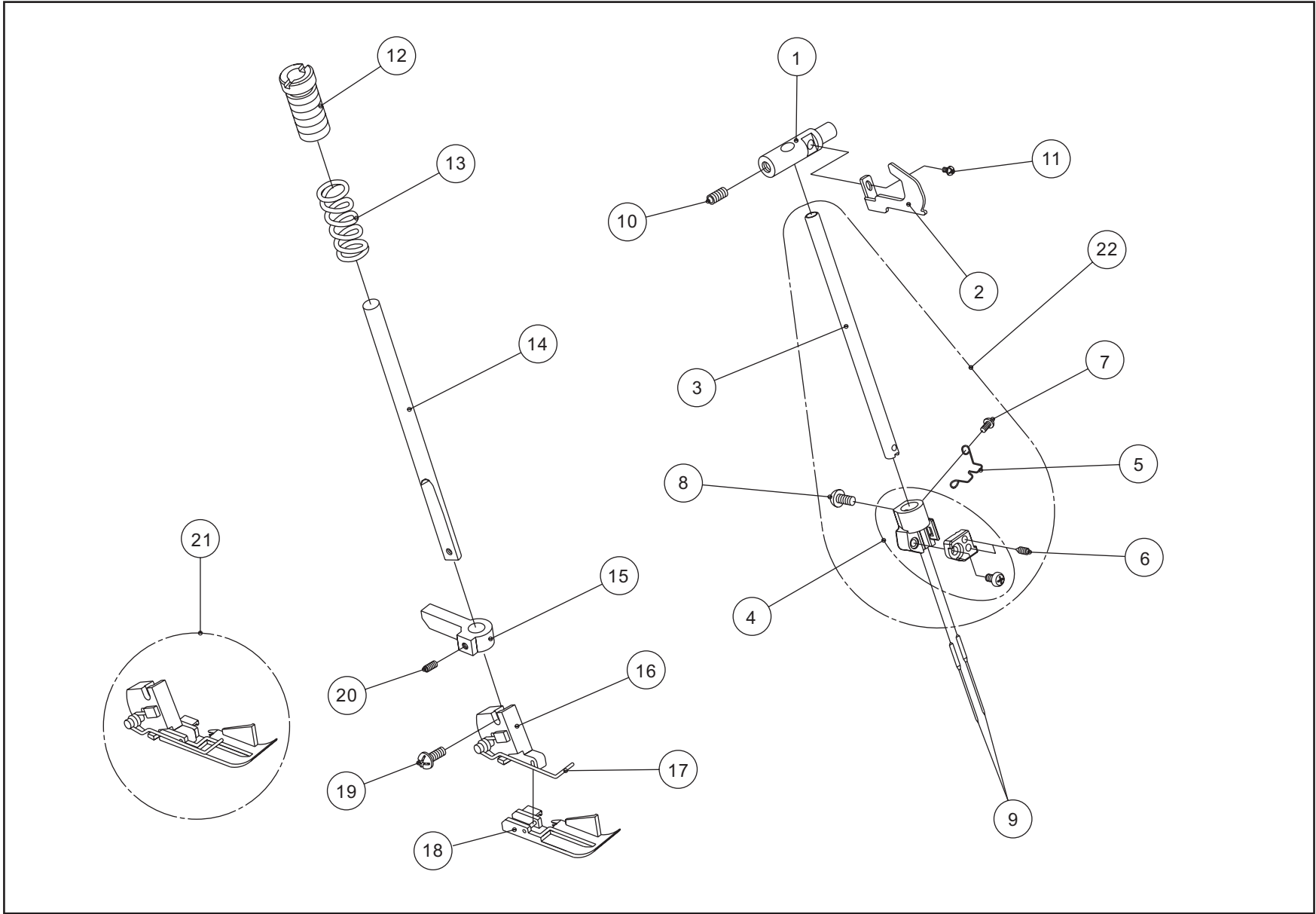
#### 4. Machine frame/Lower knife/Stitch plate

No.	Parts No.	Parts Name	No.	Parts No.	Parts Name
1	A10051567	Machine frame	12	116407H04	Set screw
2	M04L08A06	Set screw	13	B10301004	Stitch plate
3	A10531000	Lower knife	14	M04L06J01	Set screw
4	A10221000	Lower knife holder	15	B10331001	Stitch plate holder
5	A10731001	Cutting width knob shaft	16	D05L16A01	Spring pin
6	A10211000	Lower knife holder bushing	17	A10441002	Bulb holder
7	A10891004	Cutting width knob	18	A10481000	Presser foot lifter
8	M04L06E01	Set screw	19	A10381000	Presser bar bushing
9	A10591001	Opening lever stopper	20	A10371000	Needle bar bushing
10	B10311000	Fixed lever	21	W05W09A01	Wave washer
11	M02L03B03	Set screw	22	B10341001	Moving lever holder
			23	M03L04A03	Set screw
			24	B10141567	Moving lever cover
			25	B10321000	Moving lever
			26	B10351000	Locating spring
			27	B10304000	Stitch plate set



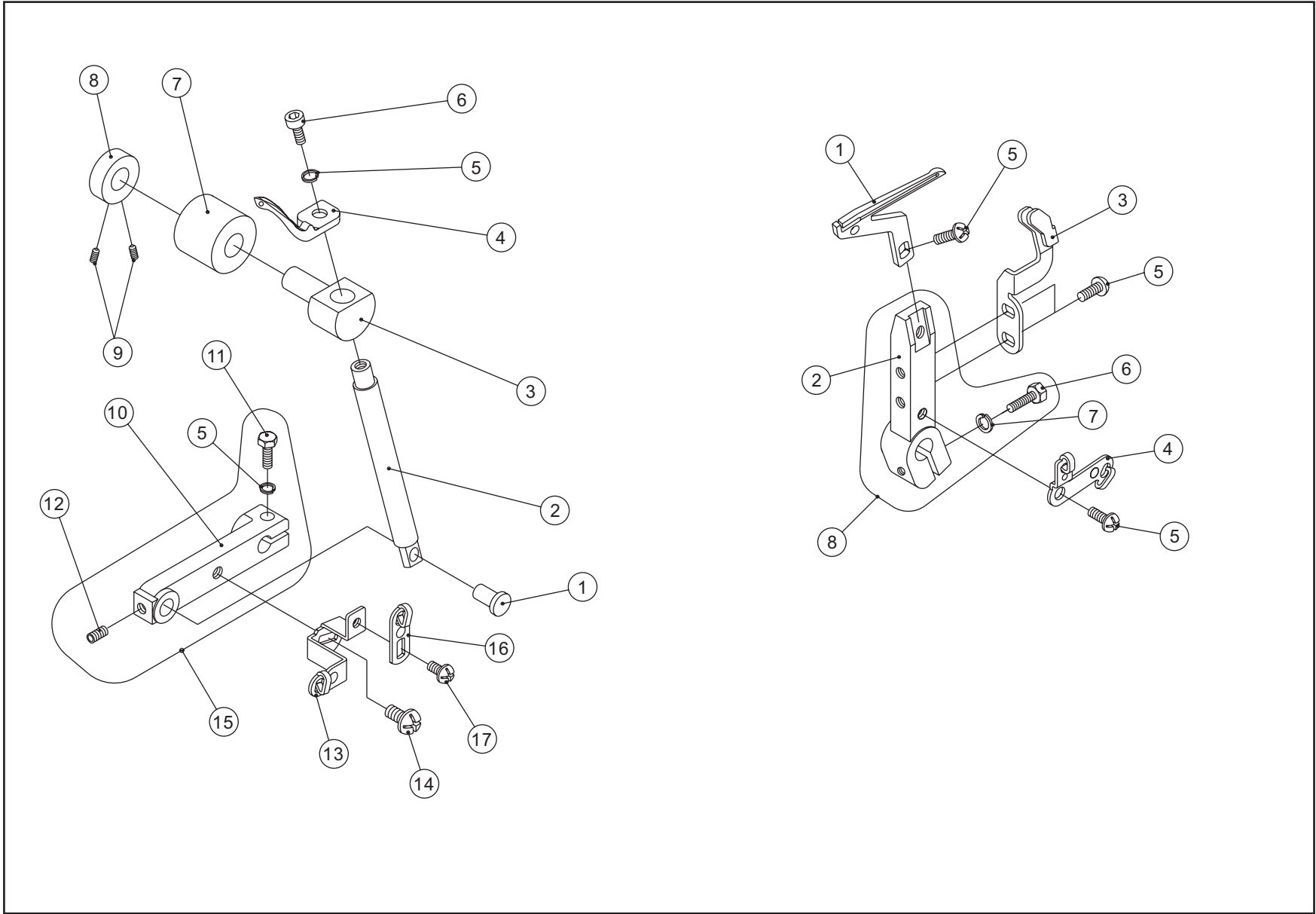
## 5. Main shaft/Upper knife

No.	Parts No.	Parts Name	No.	Parts No.	Parts Name
1	A10391000	Upper knife arm shaft bushing	21	A10241000	Looper shaft link
2	A10961001	Setting collar	22	A10941001	Setting collar
3	A10321000	Needle bar crank	23	A10401000	Looper shaft bushing
4	W06T12A00	Washer	24	A10801000	Upper looper shaft
5	A10061000	Needle bar link	25	A10811000	Lower looper shaft
6	A11191000	Needle bar link pin	26	A10301000	Fork
7	A11001000	Needle bar link shaft	27	A10313567	Upper knife arm set
8	A11201000	Needle bar drive link pin	28	A11011001	Upper knife holder collar
9	W07T12A00	Washer	29	A11051001	Upper knife spring
10	A10902000	Main shaft set	30	A10761000	Upper knife holder
11	A10341000	Main shaft bushing (A)	31	A10521000	Upper knife
12	A10951001	Setting collar	32	M04L08A06	Set screw
13	A10291000	Needle bar cam	33	E06T08A04	E ring
14	W28T34A00	Washer	34	E05T06A04	E ring
15	A10081000	Needle bar drive link	35	M06L08E01	Set screw
16	A10071000	Looper link	36	M04L06E01	Set screw
17	A11561000	Looper cam (B)	37	M05L06E01	Set screw
18	A10351000	Main shaft bushing (B)	38	M04H38A06	Nut
19	A11241000	Bearing	39	M04L04E01	Set screw
20	A10791000	Looper shaft link pin	40	A11571000	Looper cam (A)



## 7. Needle bar/Presser bar/Presser foot

No.	Parts No.	Parts Name	No.	Parts No.	Parts Name
1	A10841000	Needle bar setting link	13	A11041001	Presser bar spring
2	A10501004	Needle bar thread take-up lever	14	A10981000	Presser bar
3	G1286	Needle bar	15	A10231000	Presser bar setting link
4	E10102	Needle clamp complete set	16	A1A021004	Presser foot holder
5	A11101000	Needle clamp thread guide	17	A1A051001	Presser foot spring
6	M03L05H01	Set screw	18	A1A061004	Presser foot
7	M02L04I04	Set screw	19	096409A04	Set screw
8	010807A03	Set screw	20	M04L06E01	Set screw
9	A1K014000	Needle	21	A1A014000	Presser foot complete set
10	M05L06E01	Set screw	22	A10973000	Needle bar complete set (needles excluded)
11	M03L06I04	Set screw			
12	A10991004	Presser bar regulate screw			





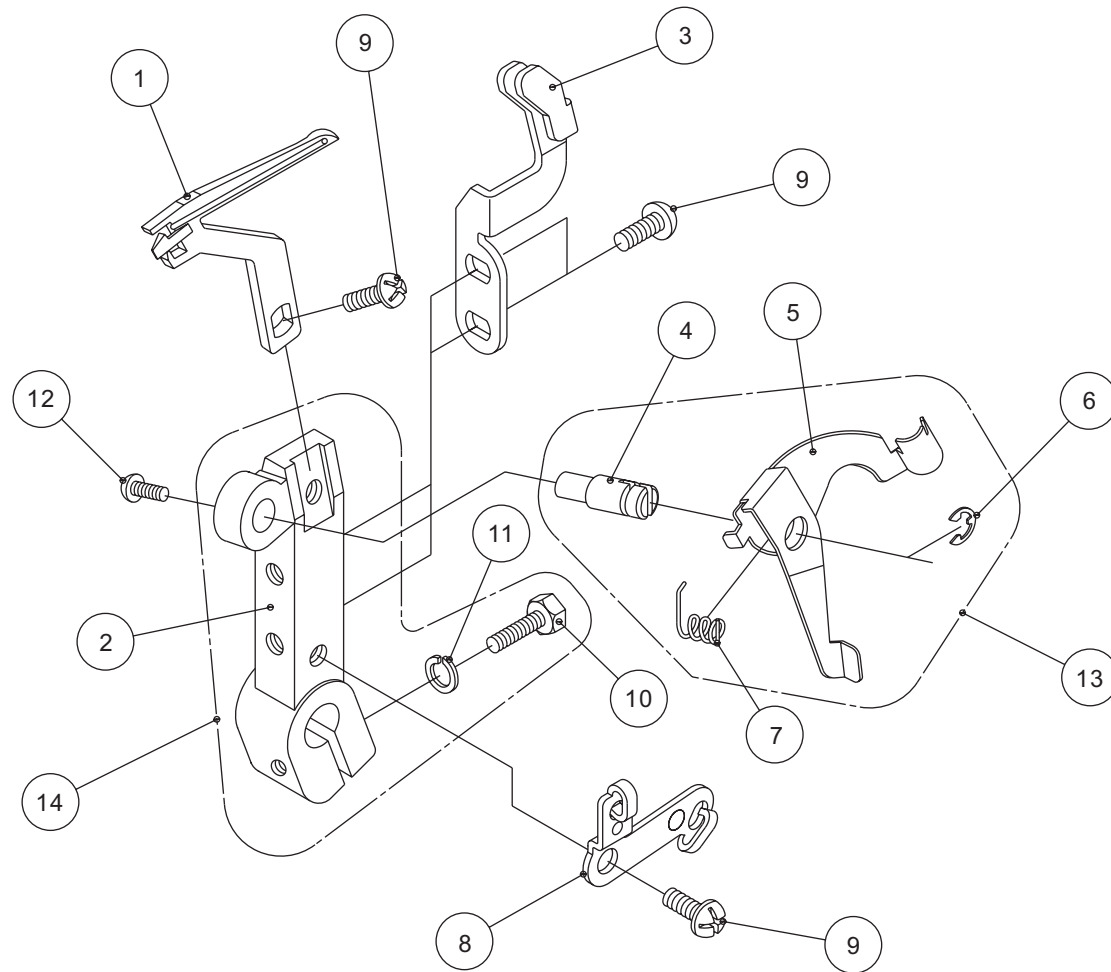
## 8. Upper looper/Lower looper

### Upper looper

No.	Parts No.	Parts Name
1	A10931000	Slide shaft pin
2	A10911000	Slide shaft
3	A10921001	Slide shaft holder
4	A10431000	Upper looper
5	W04S13A06	Spring washer
6	M04L10F01	Set screw
7	A10421000	Slide shaft holder bushing
8	A10941001	Setting collar
9	M04L04E01	Set screw
10	A10261005	Upper looper connecting arm
11	M04L16G02	Set screw
12	M04L06E01	Set screw
13	B10291004	Lower looper thread take-up lever
14	M04L08A06	Set screw
15	A10262000	Upper looper connecting arm set
16	B10281004	Upper looper thread take-up lever
17	M03L04I04	Set screw
18	B10293000	Lower looper thread take-up lever complete set (No.13,16,17 included)

### Lower looper

No.	Parts No.	Parts Name
1	A20051000	Lower looper (A)
2	A20041005	Lower looper supporter (A)
3	A10561004	Needle guard
4	C10011004	Lower looper thread guide
5	010807A03	set screw
6	M04L16G02	Set screw
7	W04S13A06	Spring washer
8	A20042000	Lower looper supporter set (A)



LOWER LOOPER AUTO THREADER TYPE ONLY

## 12. Lower looper auto threader (Auto threader type only)

No.	Parts No.	Parts Name
1	A30021000	Lower looper (B)
2	A30011005	Lower looper supporter (B)
3	A10561004	Needle guard
4	A30041001	Auto threader shaft
5	A30031004	Auto threader
6	E04T06A04	E ring
7	A30051001	Auto threader spring
8	C10011004	Lower looper thread guide
9	010807A03	Set screw
10	M04L16G02	Set screw
11	W04S13A06	Spring washer
12	M03L06I04	Set screw
13	A30032000	Auto threader set
14	A30012000	Lower looper supporter set (B)