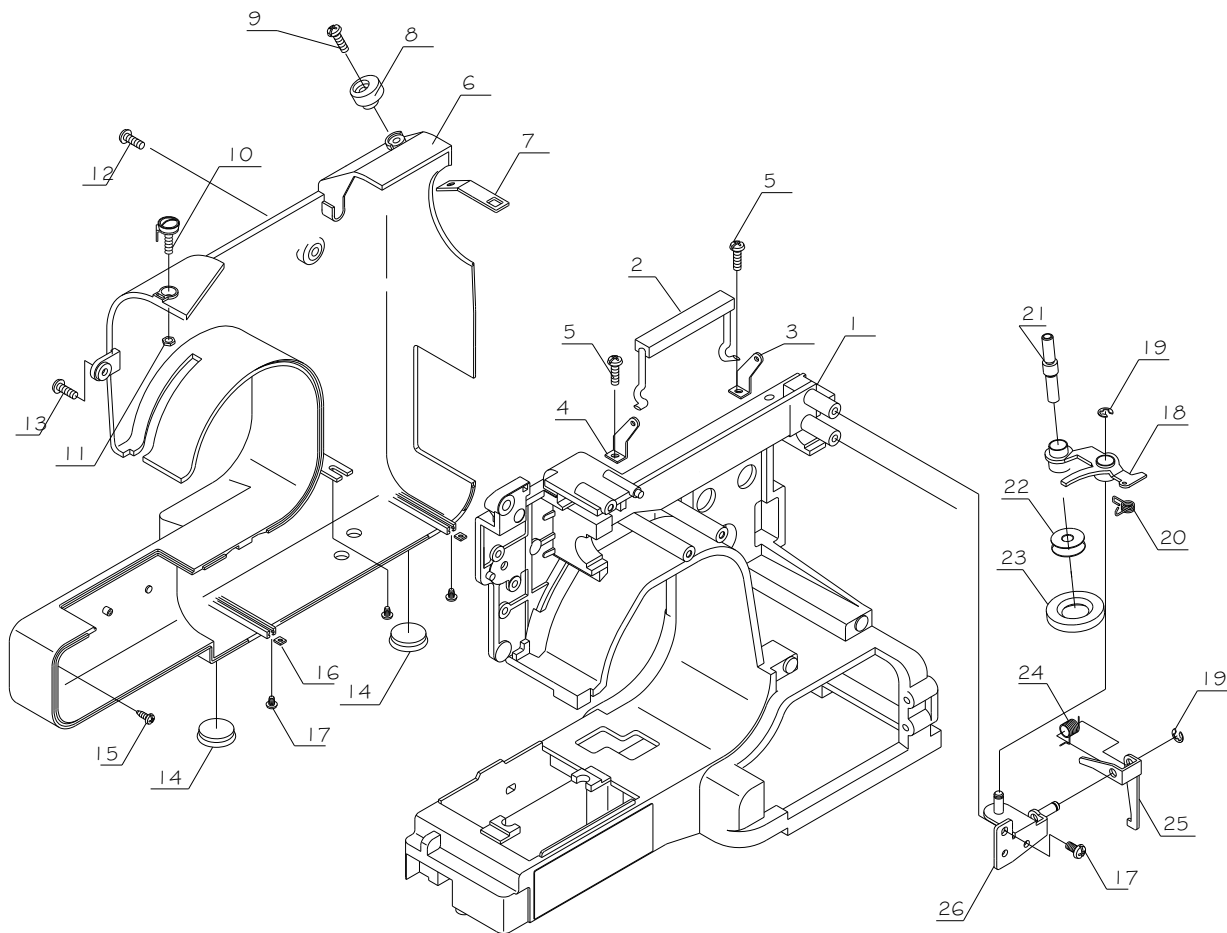
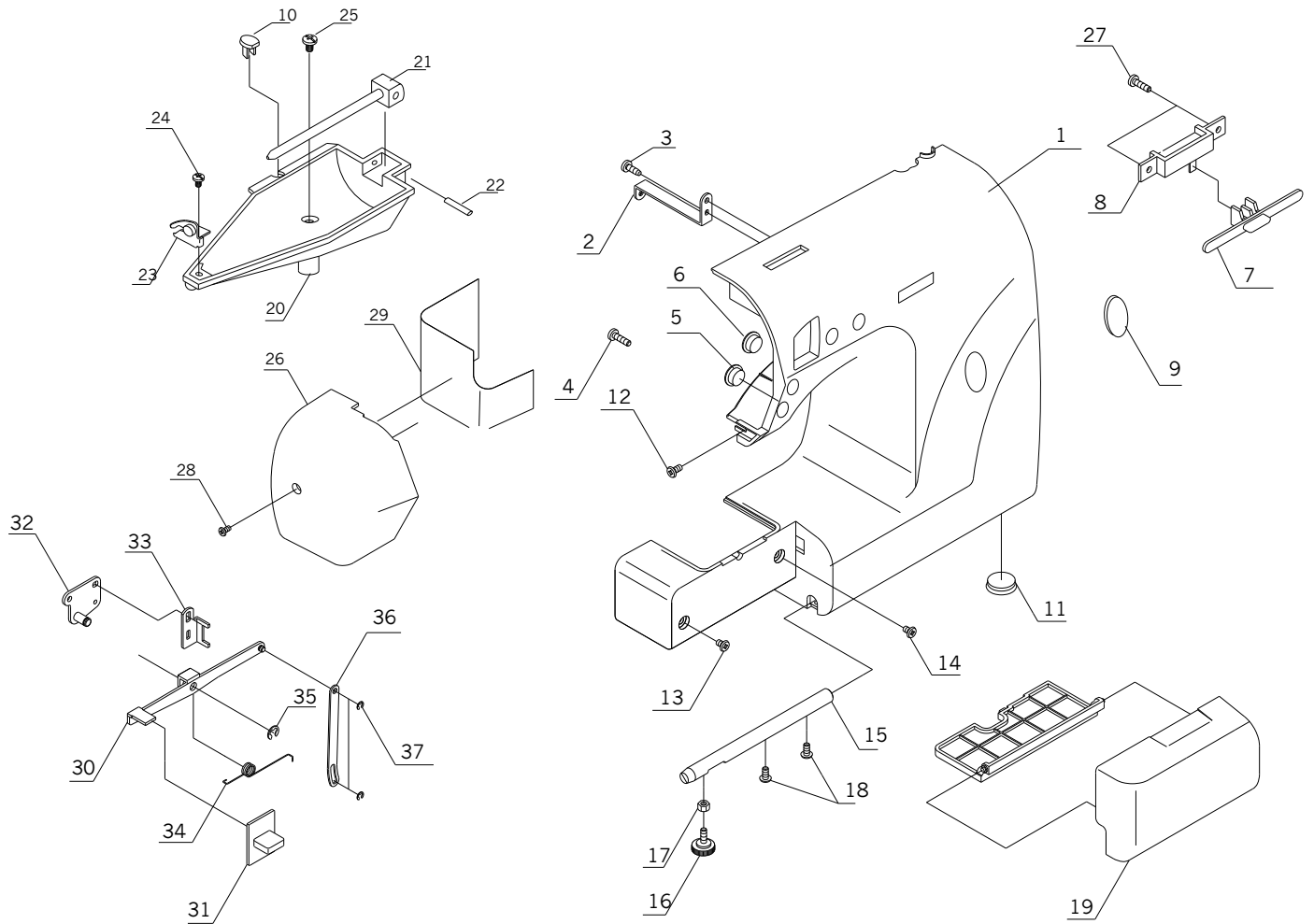


298 PARTS LIST

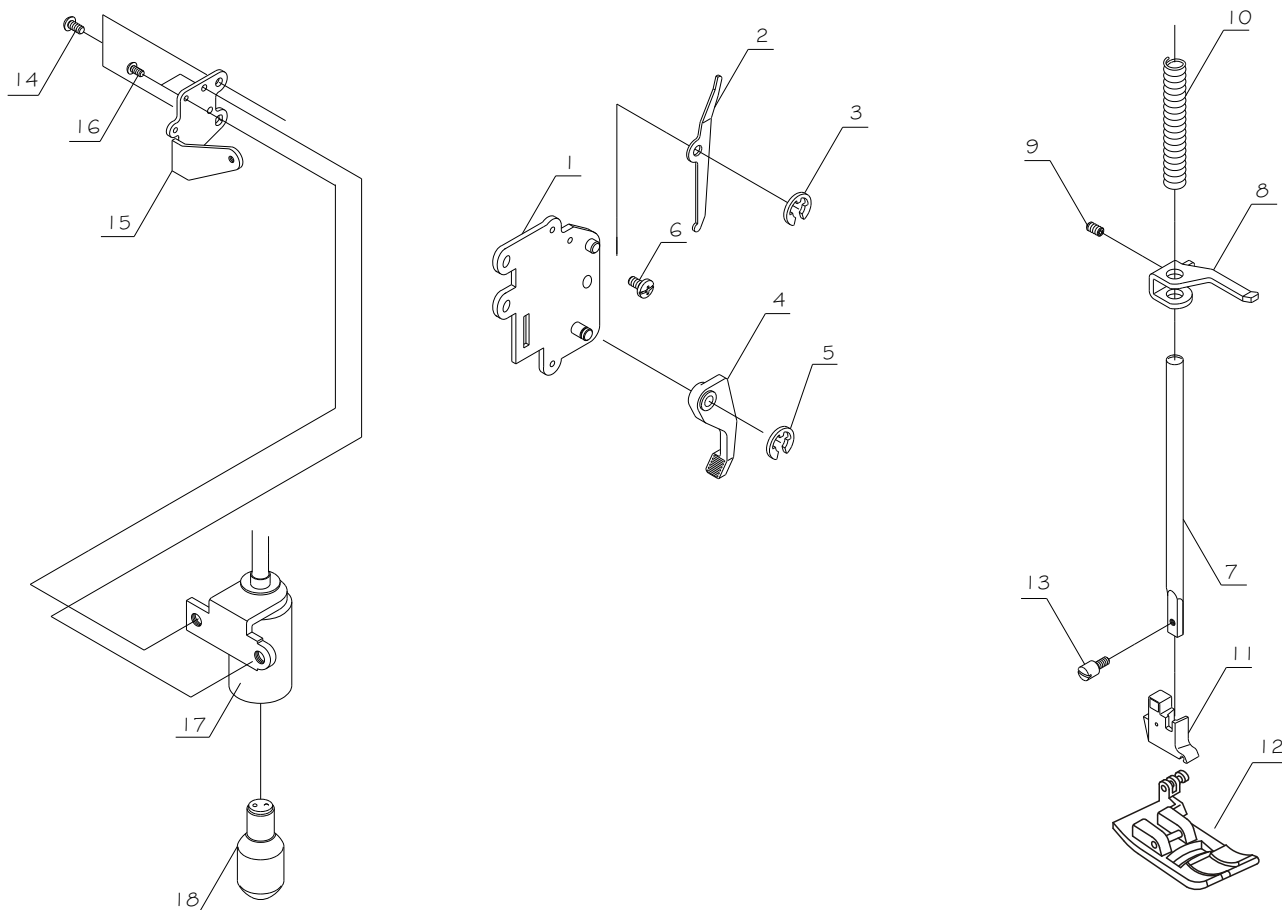
SEWMASTER INDUSTRIAL CO., LTD.



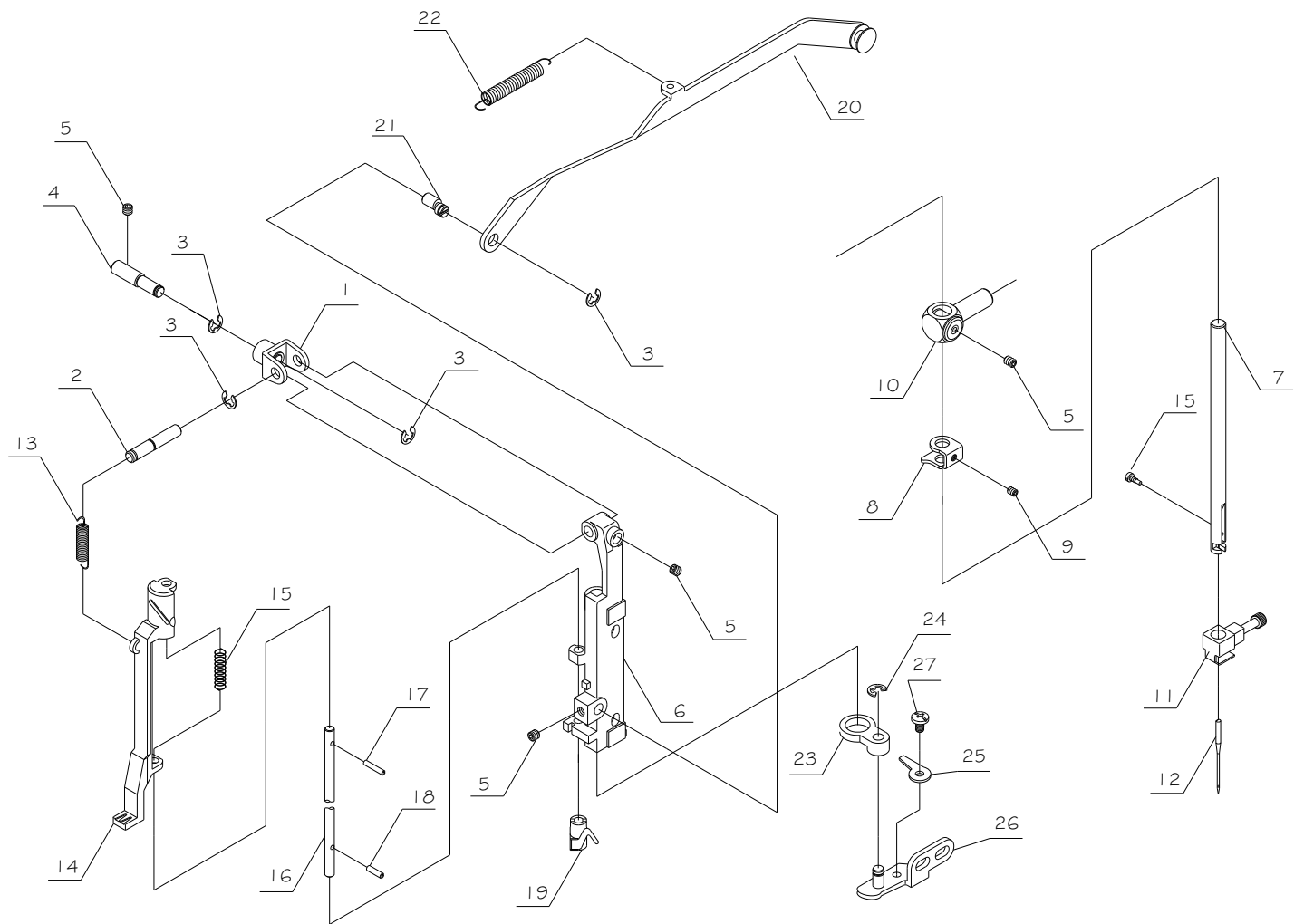
Key	Parts No	Name of Parts	Key	Parts No	Name of Parts
1	296202	Arm			
2	298006001	Handle			
3	298013	Handle bracket(R)			
4	298011	Handle bracket(L)			
5	000081407	binding head screw 4*8			
6	296000	Back cover			
7	296112	Front cover bracket			
8	321143000	Bobbin winder stoper			
9	000085501				
10	986010	Bobbin winder regulate lead shaft			
11	000010003	Rapid nut M4*0.7			
12	000081706	+·binding head screw 4*14			
13	000080202	+·binding head screw 4*12			
14	000009906	+·binding head T screw 3*14			
15	266020006	Rubber cushion			
16	266005005	Rapid nut			
17	000081407	binding head screw 4*8			
18	296108	Bobbin wiener crank			
19	000001207	Snap ring E·4			
20	360046003	Bobbin wiener crank spring			
21	296300	Bobbin wiener shaft			
22	26632007	Bobbin wiener shaft ring			
23	266033008	Bobbin winer fell			
24	168055	Clutch rod			
25	168056	Clutch rod spring			
26	C168-006	Bobbin winder crank base			



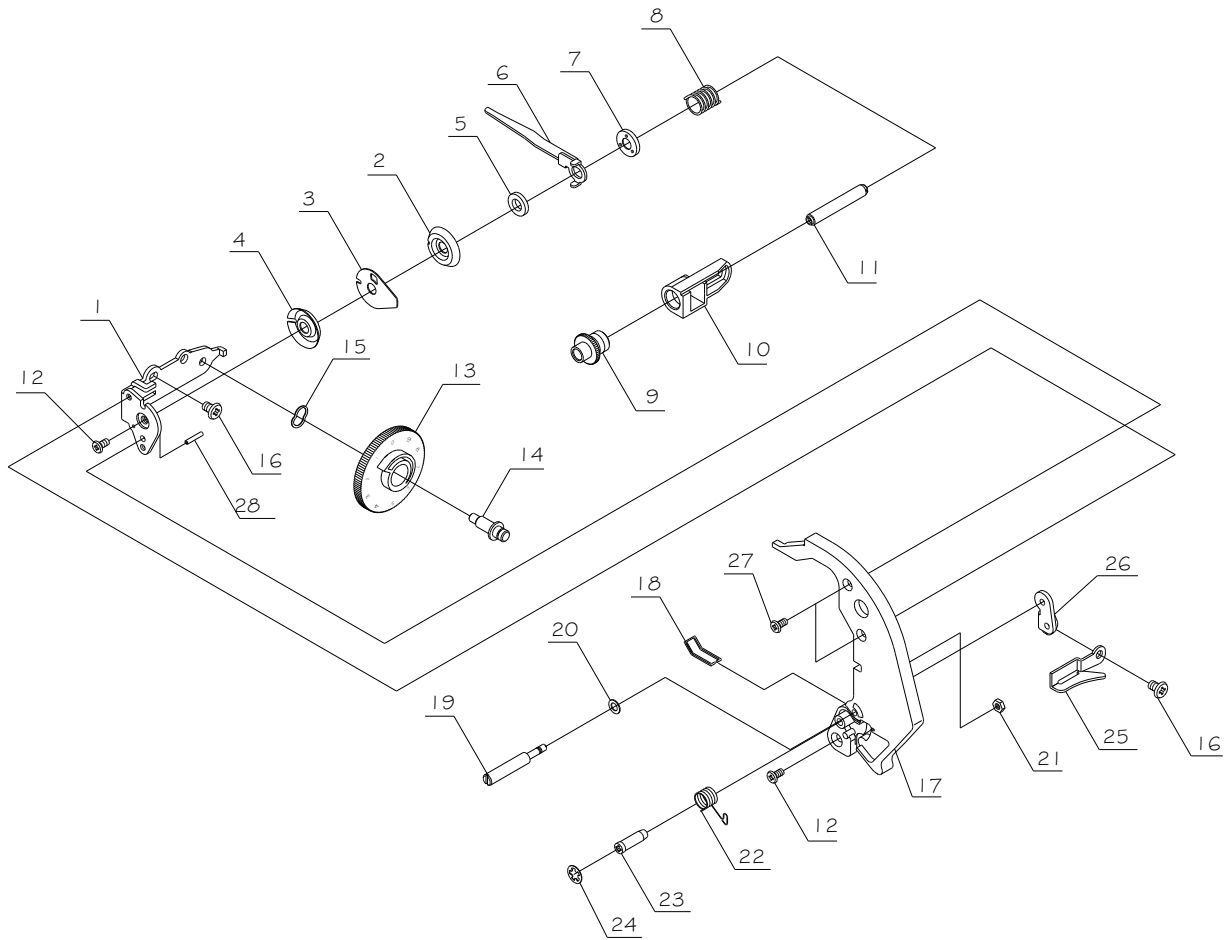
Key	Parts No	Name of Parts	Key	Parts No	Name of Parts
1	298001	Face cover	30	168048	Reverse feed crank
2	296115	Front cover bracket	31	168052046	Reverse feed dial
3	000087300	Pan head T screw 3*12K	32	168047	Reverse feed crank base
4	000087909	T screw 3*6	33	168050	Reverse feed crank stop shrapnel
5	Y-168038013	Button	34	Y-168021	Reverse feed crank spring
6	Y-168038019	Button	35	000001300	Snap ring E-5
7	296006001	Button	36	168049	Reverse feed rod
8	296007	Pattern selector dial	37	000001104	Snap ring E-3
9	760007	Pattern show window			
10	296017	hole cap			
11	266020006	Rubber cushion			
12	000084709	pinding head screw 3*6			
13	000081418	pinding head screw 4*8			
14	000080201	Flat head set screw 4*8			
15	168071	Detachable foot			
16	843024	Regulate screw			
17	000010003	Rapid nut M4*0.7			
18	000081407	pinding head screw 4*8			
19	29850001	Detachable plats cover			
20	296008	thread			
21	986008037	Spool pin			
22	986009	pin			
23	296110	Threading guide			
24	1314	T screw 3*8			
25	000081706	pinding head screw 4*14			
26	298002	Face plats			
27	000087012	T screw 3*8			
28	000081706	pinding head screw 4*14			
29	168083	Face plate heat isolation			



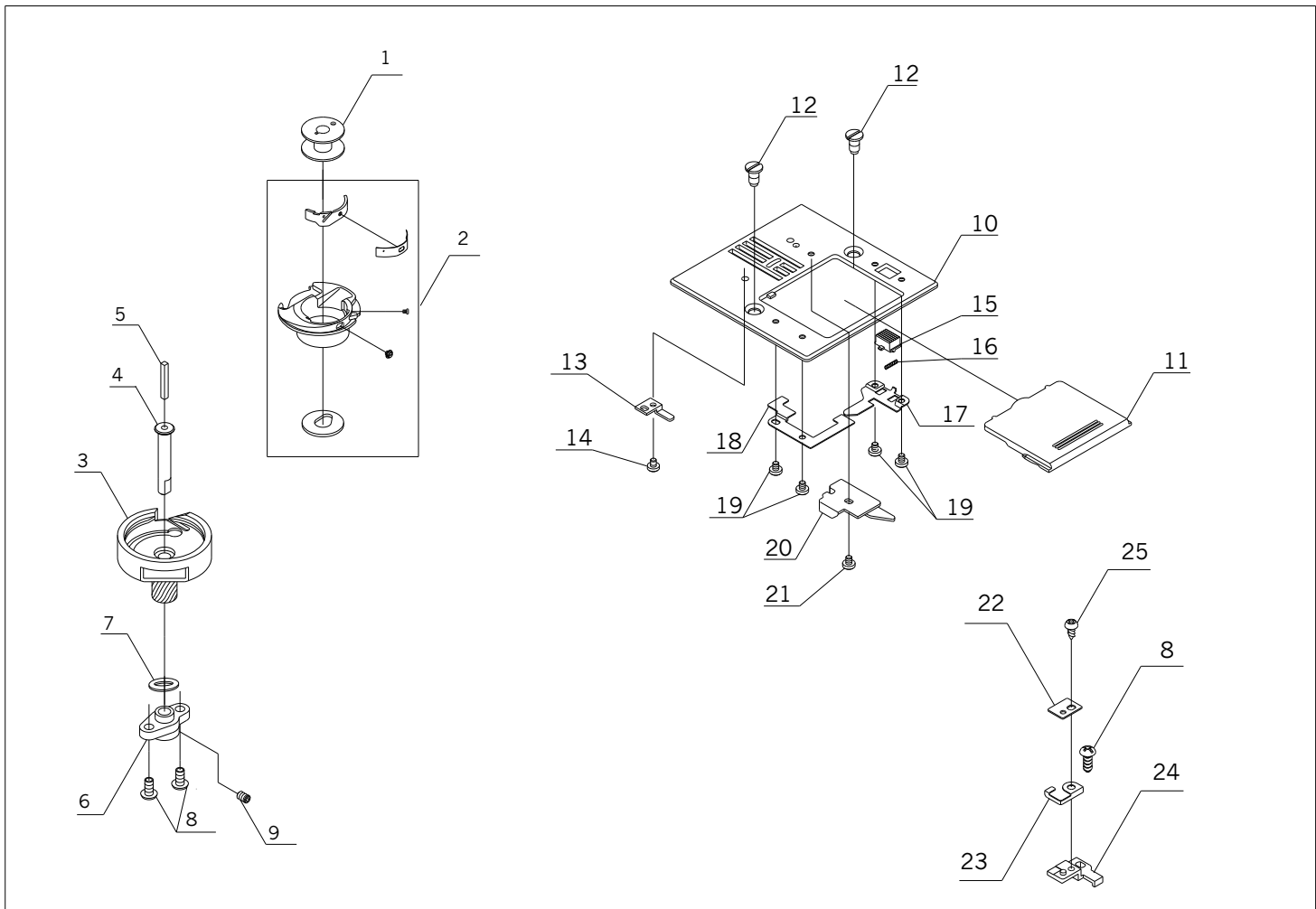
Key	Parts No	Name of Parts	Key	Parts No	Name of Parts
1	296102	Supporter base			
2	730109	Release lever			
3	000001207	Snap ring E-4			
4	730119030	Presser bar lifter			
5	000001207	Snap ring E-4			
6	000081407	binding head screw 4X8			
7	168119	Presser bar			
8	868078	Presser bar guide bracket			
9	000079402	Hexagon socket screw 4X8			
10	Y-168031	Presser bar spring			
11	168505	Presser foot hold			
12		Presser foot			
13	270024003	Presser foot screw			
14	000081304	binding head screw 4X6			
15	168016	Lamp socket bracket			
16	000083007	Pan head screw 3X54			
17	E-168-004	Lamp socket (120V)			
18	000101150	Light bulb (120V)			



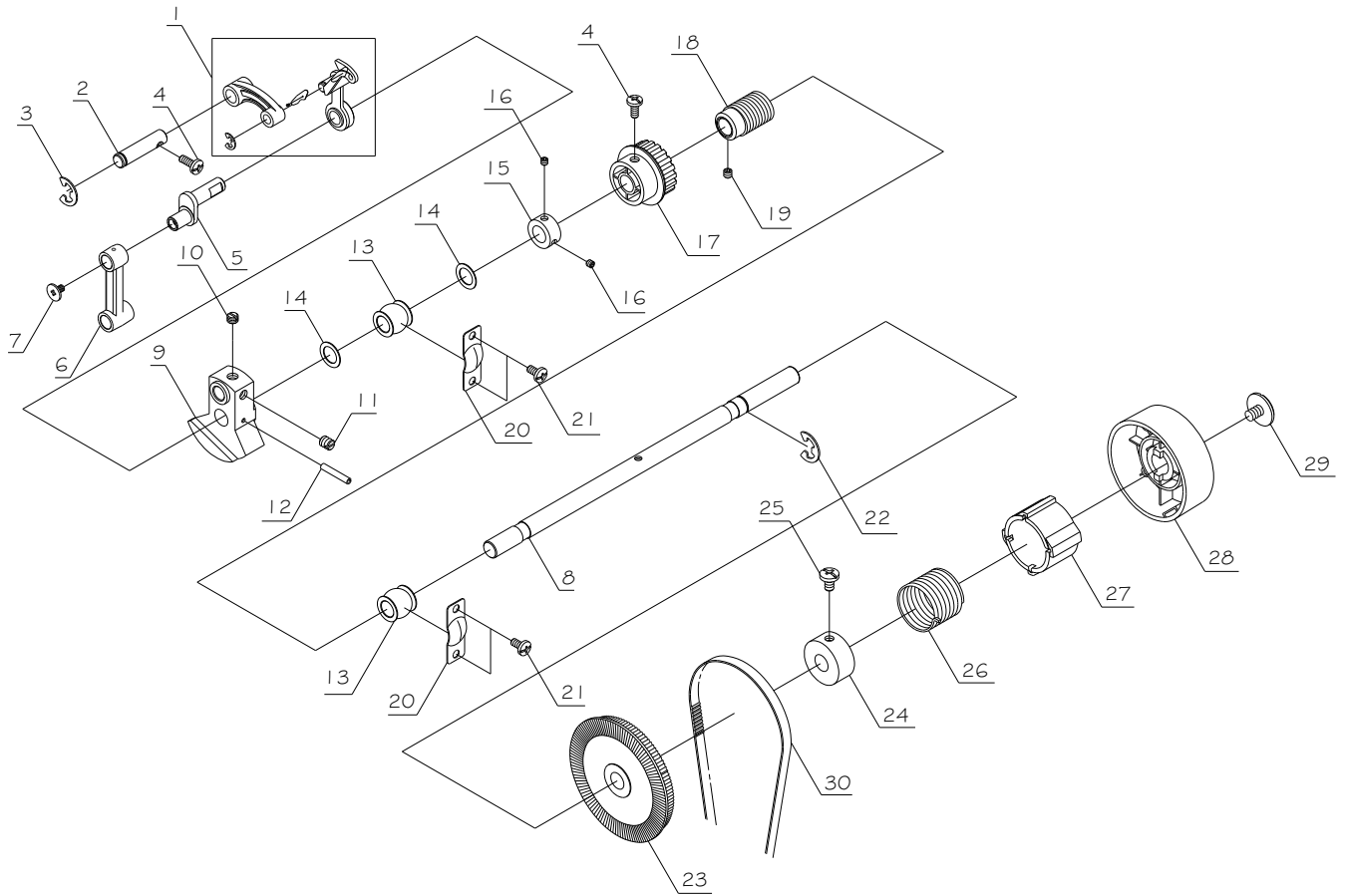
Key	Parts No	Name of Parts	Key	Parts No	Name of Parts
1	730095	Needle bar crank supporter			
2	730096	Needle bar crank pin			
3	000001207	Snap ring E-4			
4	281086007	Needle bar crank supporter shaft			
5	000079103	Hexagon socket screw 4X4			
6	296201	Needle bar crank			
7	730091	Needle bar			
8	270017003	Through thread location plate			
9	000079000	Hexagon socket screw 3X4			
10	281504006	Needle bar connecting rod			
11	168507	Needle clamp			
12	000201324	Needle			
13	730102	Through thread body spring			
14	730100	Through thread body			
15	730103	Through thread body spring			
16	730195	Through thread bar			
17	000006914	Spring 2X12			
18	000006811	Spring 2X8			
19	270030002	Lead thread body			
20	168093	Zigzag lever			
21	730078	Zigzag lever eccentric pin			
22	730097	Needle bar crank spring			
23	296120	Needle bar lead plate			
24	000001104	Snap ring E-3			
25	730099	Needle bar crank stop plate			
26	296120	Needle bar lead base			
27	000082408	+ -binding head screw 3*6			



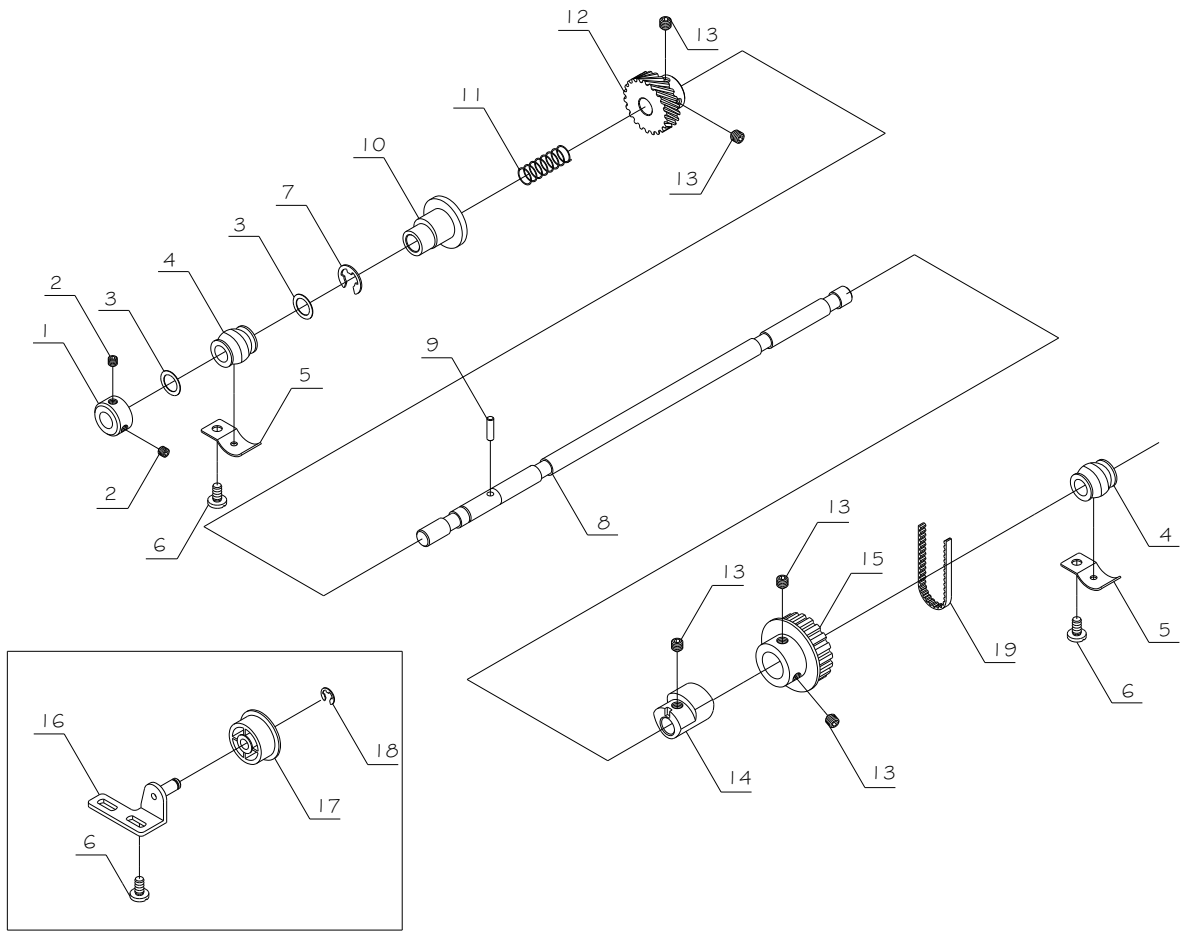
Key	Parts No	Name of Parts	Key	Parts No	Name of Parts
1	730022	Thread tension regulate plate			
2	868060	Thread tension regulate flat (Right)			
3	868059	Middle plate			
4	868060	Thread tension regulate flat (Left)			
5	868138	Plain washer 5.6X15X1			
6	296113	Thread tension connecting plate			
7	868113	Spring set position plate			
8	868115	Thread tension regulate spring			
9	868118	Elastic regulator			
10	730023	Thread tension regulate plate			
11	868116	Thread tension regulator base shaft			
12	000082408	binding head screw 3X6b			
13	868114055	Thread tension regulate dial			
14	730197	Thread tension regulate shaft			
15	868234	Corrugated washer 9 m/m			
16	000081304	binding head screw 4X6i			
17	730019	Threading guide			
18	168066	Threading guide spring			
19	730019	Threading guide shaft			
20	000012200	Plain washer 4X7X0.4			
21	000071002	Hexagon nut 3-3-5.5			
22	730105	thread take-up spring			
23	262026000	Spring set shaft			
24	000002404	Snap ring C5-4.5			
25	730020	threading guide shrapnel (B)			
26	730009	Front cover set plate			
27	000084709	Pan head screw 3X6			
28	000007008	Spring pin 1.6X10			



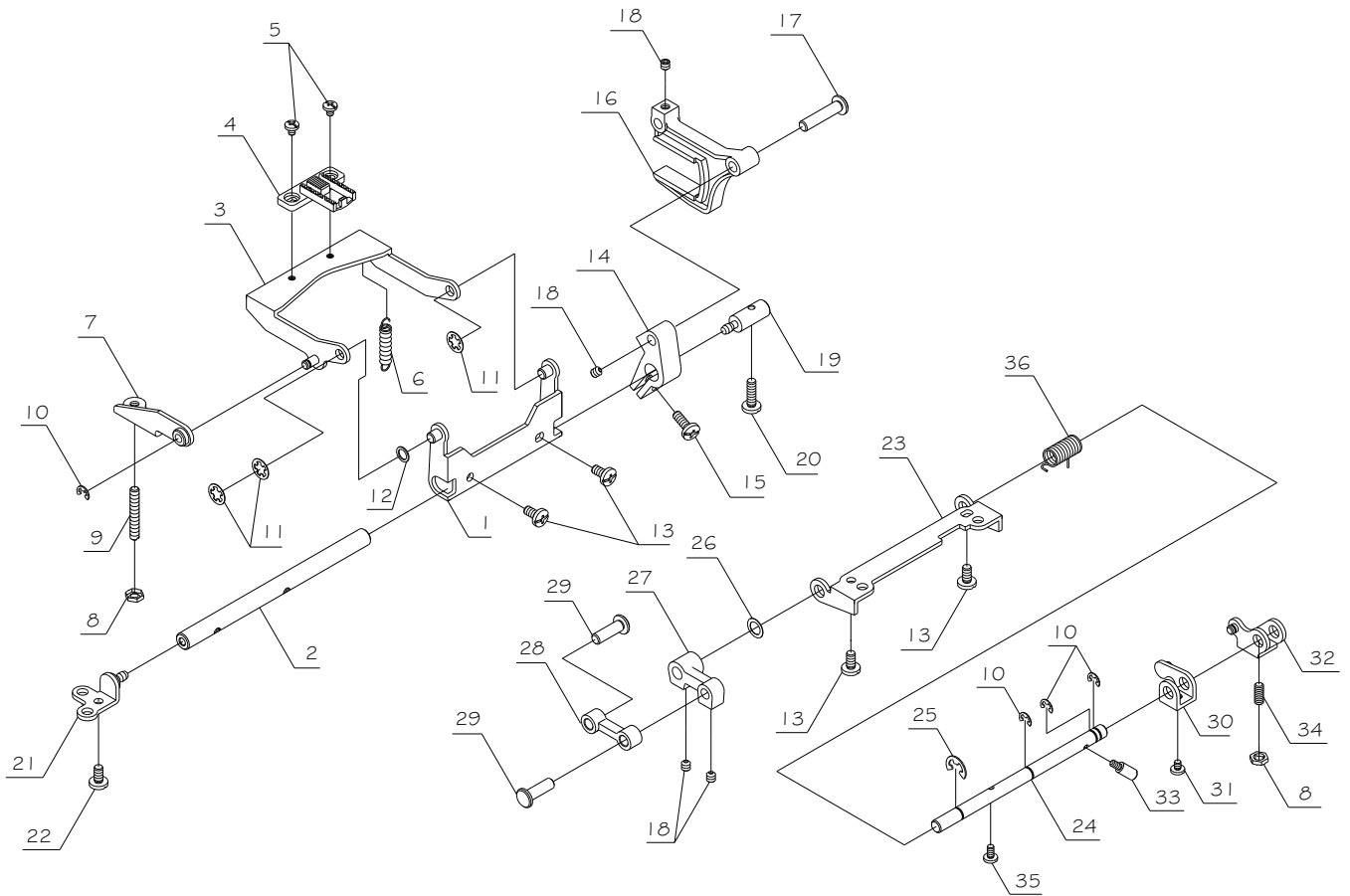
Key	Parts No	Name of Parts	Key	Parts No	Name of Parts
1	218023	Bobbin			
2	128130	Bobbin case complete			
3	128129	Hook race			
4	730143	Hook race shaft			
5	730 168	Oil core			
6	730141	Hook race set body			
7	000013017	Thrust washer screw 6.2*9.5*0.13			
8	000084400	+ -pan head screw 4*8			
9	000079206	Hexagon socket screw 4*6			
10	296101	Needle plate			
11	760003	Slide plate			
12	266017000	Flat head set screw			
13	296103	Bobbin case thread stopper			
14	730174	Set screw (Bobbin case stop plate)			
15	760005	Slide plate spring			
16	760004	Switch			
17	760001	Slide plate shrapnel(r)			
18	760002	Slide plate shrapnel(L)			
19	730 175	Set screw (slide shrapnel)			
20	730151	Bobbin case stop plate			
21	730174	Set screw (Bobbin case stop plate)			
22	168108	Stop shrapnel holder			
23	730152	Bobbin case stop shrapnel			
24	296105	Stop shrapnel base			
25	730 176	T screw 2.6X6			



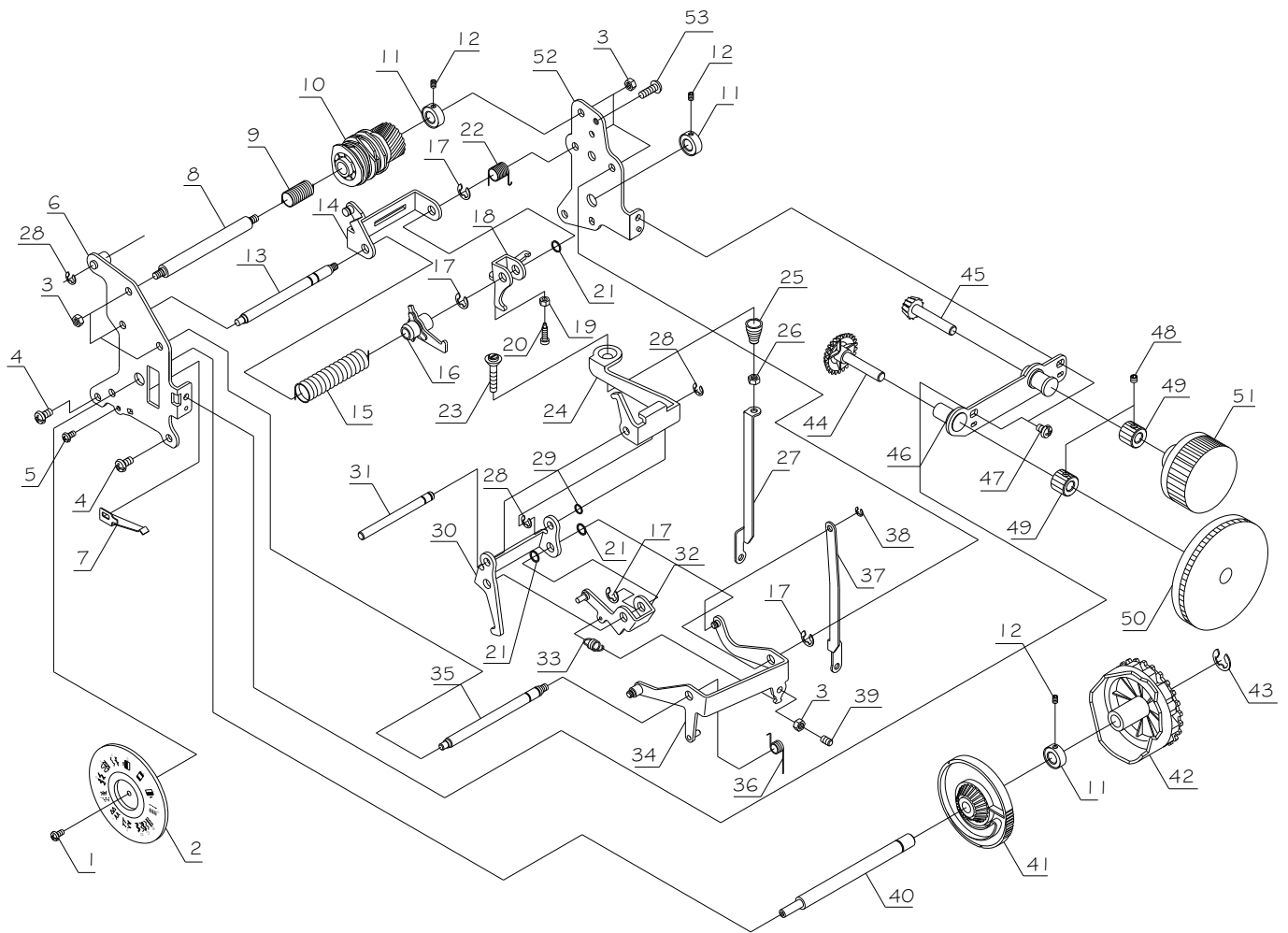
Key	Parts No	Name of Parts	Key	Parts No	Name of Parts
1			30	000093011	Motor belt (460-2GT)
2					
3					
4	296601	THREAD TAKE-UP COMPLETE			
5					
6					
7					
8	168008	Upper shaft			
9	N620047	Thread take-up crank			
10	101040008	Set screw SM15/64-28X6.5			
11	574057006	Set screw SM15/64-28X4			
12	000006408	Spring pin 3X20			
13	268007209	Upper shaft bushing			
14	000013305	Thrust washer 10.2X15X0.5			
15	620060008	Upper shaft ring			
16	000079608	Hexagon socket screw 1/64*4			
17	168010	Timing gear A			
18	268004212	Upper shaft worm			
19	000079103	Hexagon socket screw 4X4			
20	268005220	Bushing plate			
21	000081407	binding head screw 4X8*			
22	000001609	Span ring E-9			
23	168011	Timing pulley			
24	168012	Clutch bushing			
25	000079309	Hexagon socket screw 5X5			
26	868031	Clutch spring			
27	868030	Clutch			
28	296007	Hand wheel			
29	868024	Stop motion large screw			



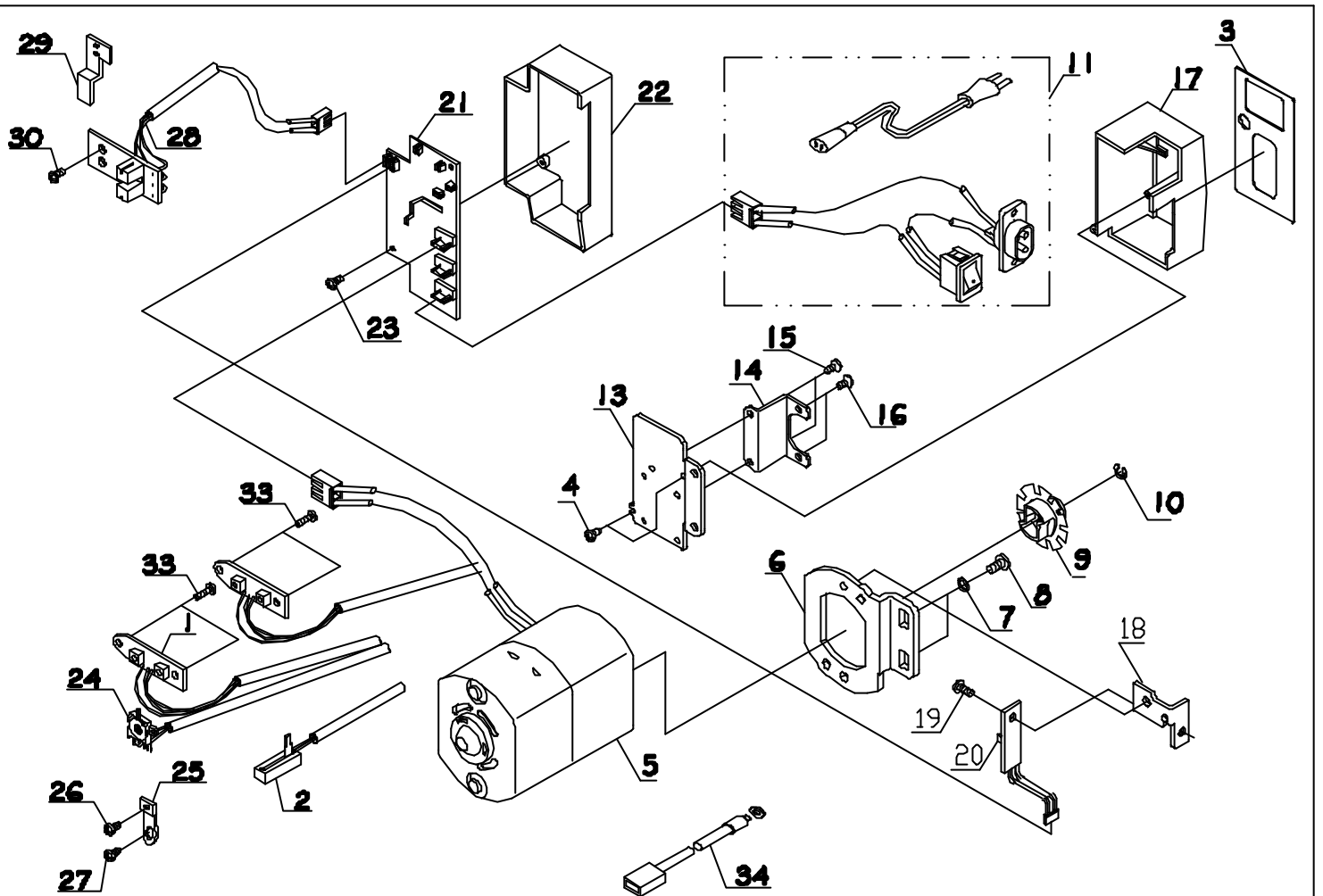
Key	Parts No	Name of Parts	Key	Parts No	Name of Parts
1	730122	Lower shaft ring			
2	000079103	Hexagon socket screw 4X4			
3	000013430	Thrust washer 8.2X12X0.25			
4	730123	Lower shaft bushing			
5	730124	Lower shaft bushing plate			
6	000081407	binding head screw 4X8			
7	000001505	Snap ring E-7			
8	168062	Lower shaft			
9	730116	Feed lifting cam pin			
10	730113	Feed lifting cam			
11	730115	Feed lifting connecting spring			
12	730121	Lower shaft gear			
13	000079309	Hexagon socket screw 5X5			
14	730131	Feed rock cam			
15	730080	Timing gear B			
16	168063	Belt regulate wheel plate			
17	730083	Belt tension regulate wheel			
18	000001207	Snap ring E-4			
19	000093022	Timing belt 172XL			



Key	Parts No	Name of Parts	Key	Parts No	Name of Parts
1	730138	Feed dog base crank	30	168059	SS regulate crank
2	730130	Feed rock shaft	31	000081304	binding head screw 4X6
3	168105	Feed dog base	32	168060	BH regulate crank
4	168100	Feed dog	33	730055	Feed regulate crank
5	000082305	binding head screw 3X5	34	000077008	Set screw 4X12
6	730139	Feed dog base spring	35	000082408	binding head screw 3X6
7	730117	Feed lifting crank	36	730053	Feed regulate spring
8	000010003	Rapid nut M4*0.7			
9	730171	Screw			
10	000001104	Snap ring E-3			
11	000002002	Snap ring CS-5			
12	281040009	Plain washer 5.1X7.3X0.5			
13	000081407	binding head screw 4X8			
14	730129	Feed rock crank			
15	000081603	Set screw 4X12			
16	730107	Feed driving rod			
17	730108	Feed driving rod shaft			
18	000079103	Hexagon socket screw 4X4			
19	730133	Feed rock shaft index pin			
20	000081706	binding head screw 4X14			
21	730132	Feed rock shaft index pin plate			
22	000084400	Pan head screw 4X8			
23	168057	Feed regulate shaft base			
24	168058	Feed regulate shaft			
25	000001300	Snap ring E-5			
26	000013017	Plain washer 6.2X9.5X0.13			
27	730048	Feed regulate crank			
28	730049	Feed regulate rod			
29	730052	Feed regulate set pin			



Key	Parts No	Name of Parts	Key	Parts No	Name of Parts
1	000082408	binding head screw 3X6	30	168031	SS selector crank
2	168072001	Pattern indicator	31	168036	SS crank shaft
3	000071105	Hexagon nut 4-3-7	32	168046	BH crank
4	000081407	binding head screw 4X8	33	730056	Feed connecting crank spring
5	000082305	binding head screw 3X5	34	168037	Feed regulate crank
6	168019	Base (bornt)	35	168079	Feed regulate crank shaft
7	168020	feed regulate cam	36	168035	SS crank spring
8	168022	Pattern cam shaft	37	168039	Feed regulate rod
9	730040	Pattern cam spring	38	000001104	Snap ring E-3
10	168091	pattern cam	39	000077008	Set screw 4X8
11	268005417	Pattern cam shaft ring	40	168101	Pattern selector cam shaft
12	000079000	Hexagon socket screw 3X4	41	168024	Feed regulate cam
13	168038	Claw shaft	42	168092	Pattern selector cam
14	168028	Claw support bracket	43	000001505	Snap ring E-7
15	168030	Claw spring	44	168044	Feed dial gear
16	168029	Claw	45	168043	Pattern selector dial gear
17	000001300	Snap ring	46	168042	Detachable base
18	168026	Control crank	47	000081304	binding head screw 4X6
19	000071002	Hexagon nut 3-3-0.5	48	000079505	Hexagon socket screw 4X3
20	986129	Regulate screw	49	268007613	Stitch length ring
21	281040009	Plain washer 5.1X7.3X0.5	50	168209013	Pattern regulator dial
22	168027	Control spring	51	296009	Pattern selector dial
23	168033	SS regulate screw	52	168041	Base (back)
24	168032	SS claw	53	000081603	binding head screw 4X12
25	268006414	BH feed spring			
26	000010003	Rapid nut M4*0.7			
27	168040	SS rod			
28	000001207	Snap ring E-4			
29	266011004	Plain washer 5.1X10X0.5			



Key	Parts No	Name of Parts	Key	Parts No	Name of Parts
1	W115	Start/stop switch			
2	YSDW031	Speed control			
3	168229	Switch show plate	33	000087909	T-screw 3x6
4	000087012	T screw 3x8	34	YSDW033	Controller
5	FJ2-9 YM-45	Motor			
6	168064	Motor base			
7	000088002	Spring washer M5			
8	000083409	+pan head screw 3x5			
9	868183	Motor braving gear			
10	000001104	Snap ring E-3			
11	HJ-020	Power switch			
13	218019	Terminal bracket			
14	218019	Terminal set plate			
15	000083007	+pan head screw 3x5			
16	000084503	+pan head screw 3.5x8 (cr)			
17	416083001	Switch box			
18	Y-168027	Speed sensor bracket(lower)			
19	000081315	+binding head screw 4x6			
20	YSDW035	Speed sensor			
21	YSD-168-2	pcb			
22	168082	pcb box			
23	000087012	T-screw 3x8			
24	YSDW032	Reverse stitching sensor			
25	218017	Reverse switch bracket			
26	000084318	+ pan head screw 2.6x4			
27	000081407	+binding head screw 4x6			
28	YSDW034	Needle up down sensor			
29	Y-168026	Speed sensor bracket(upper)			
30	000083007	+pan head screw 3x5			

