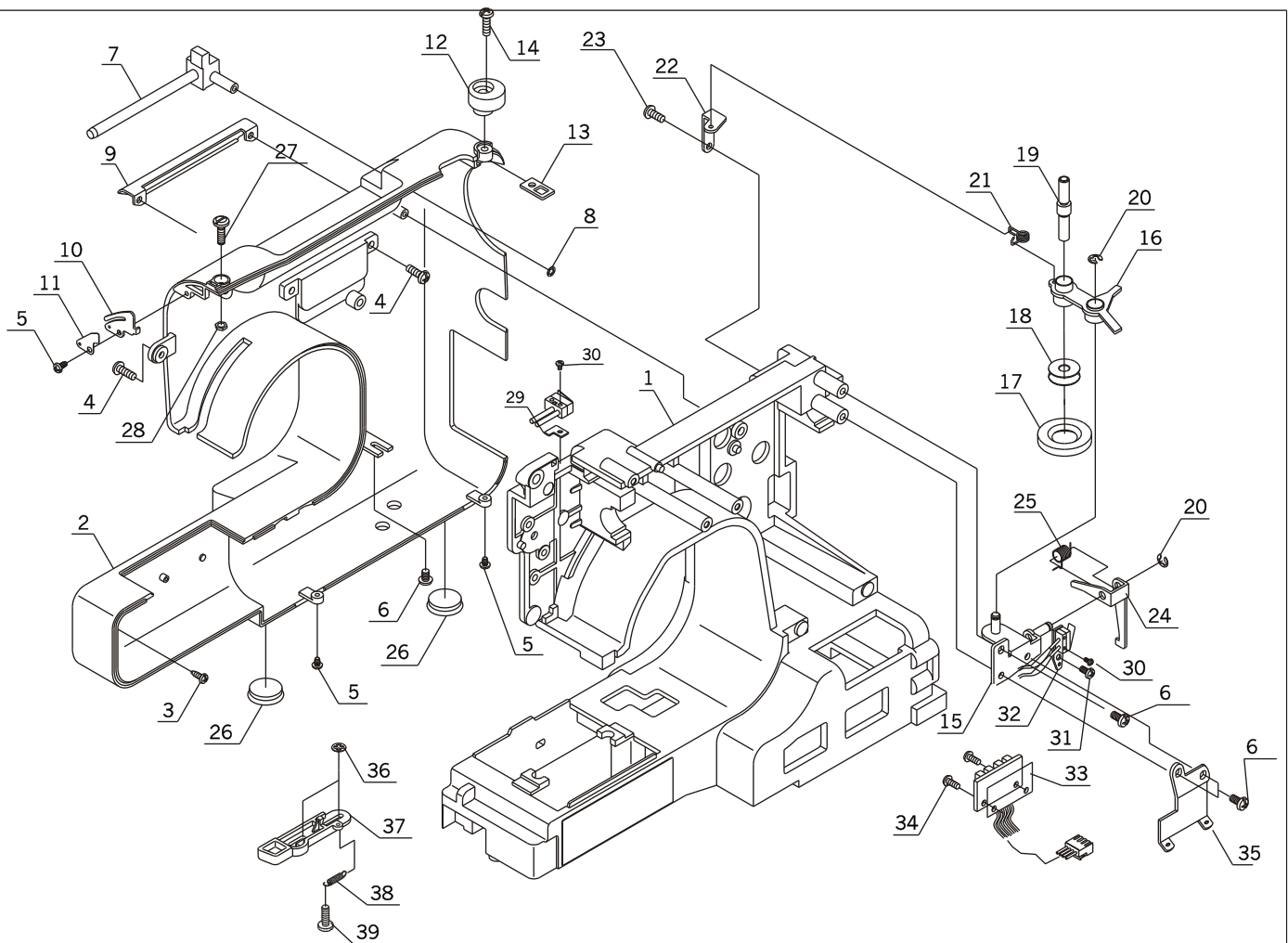
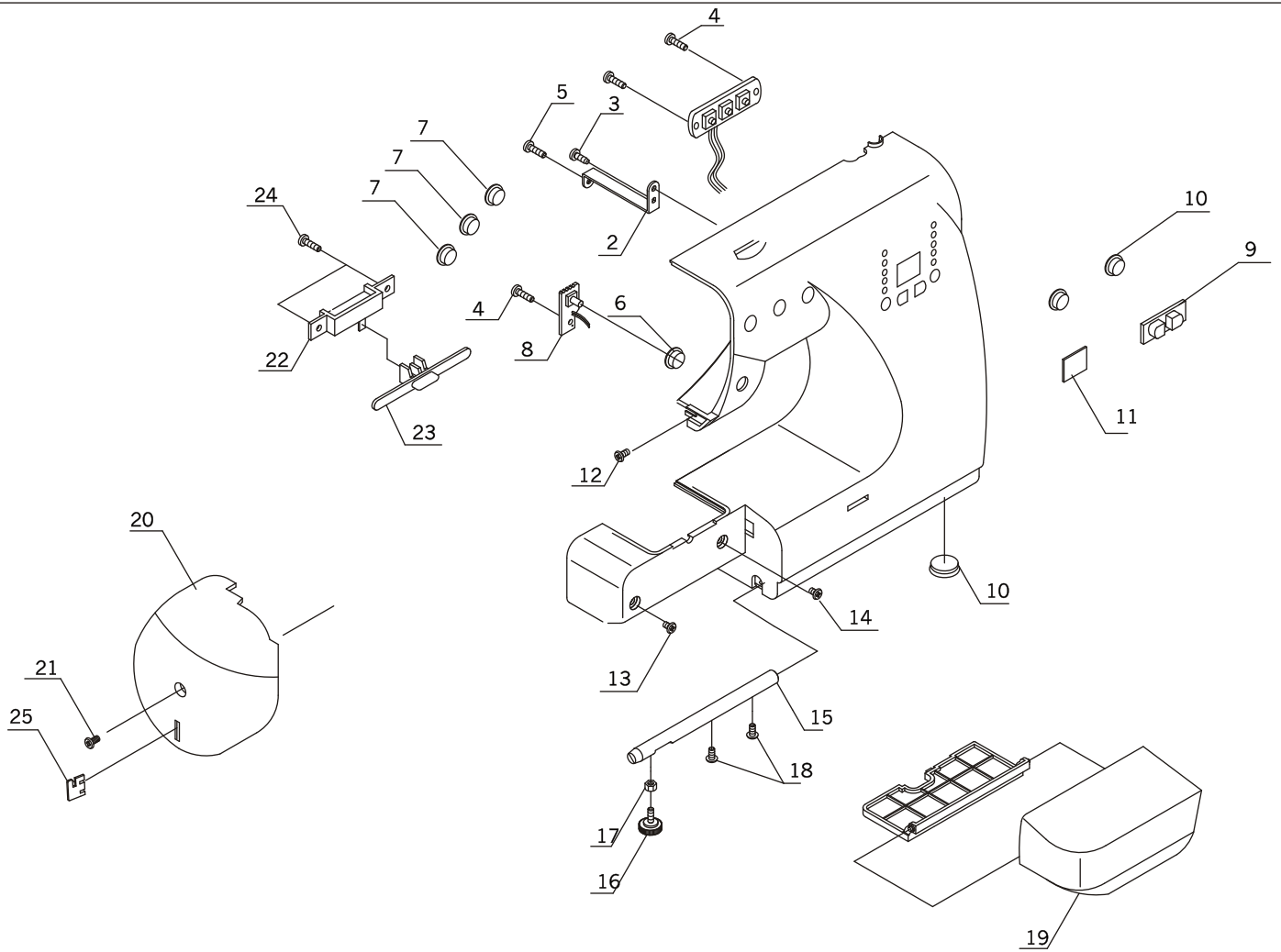


SCM269 PARTS LIST

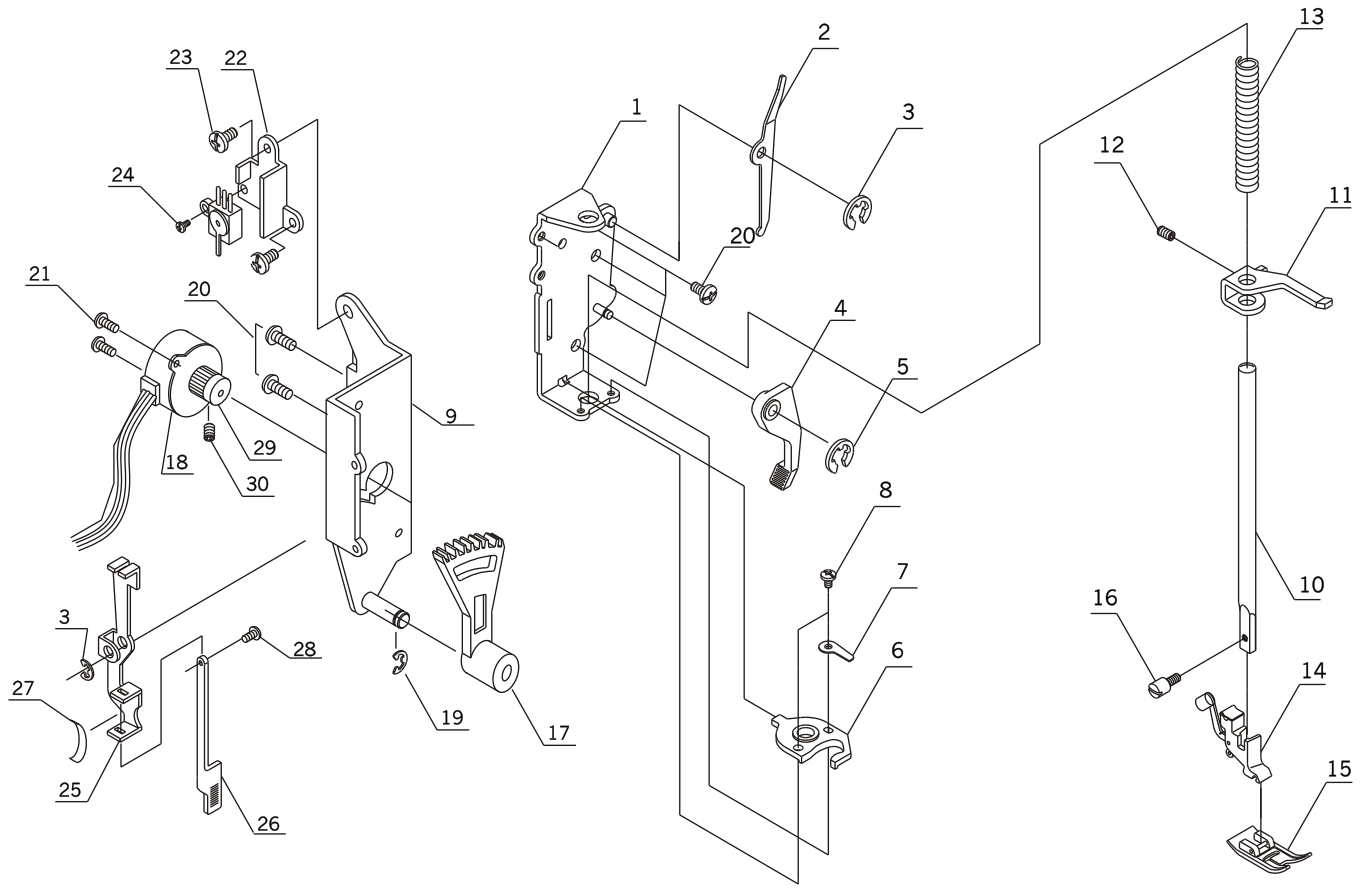
SEWMASTER INDUSTRIAL CO., LTD.



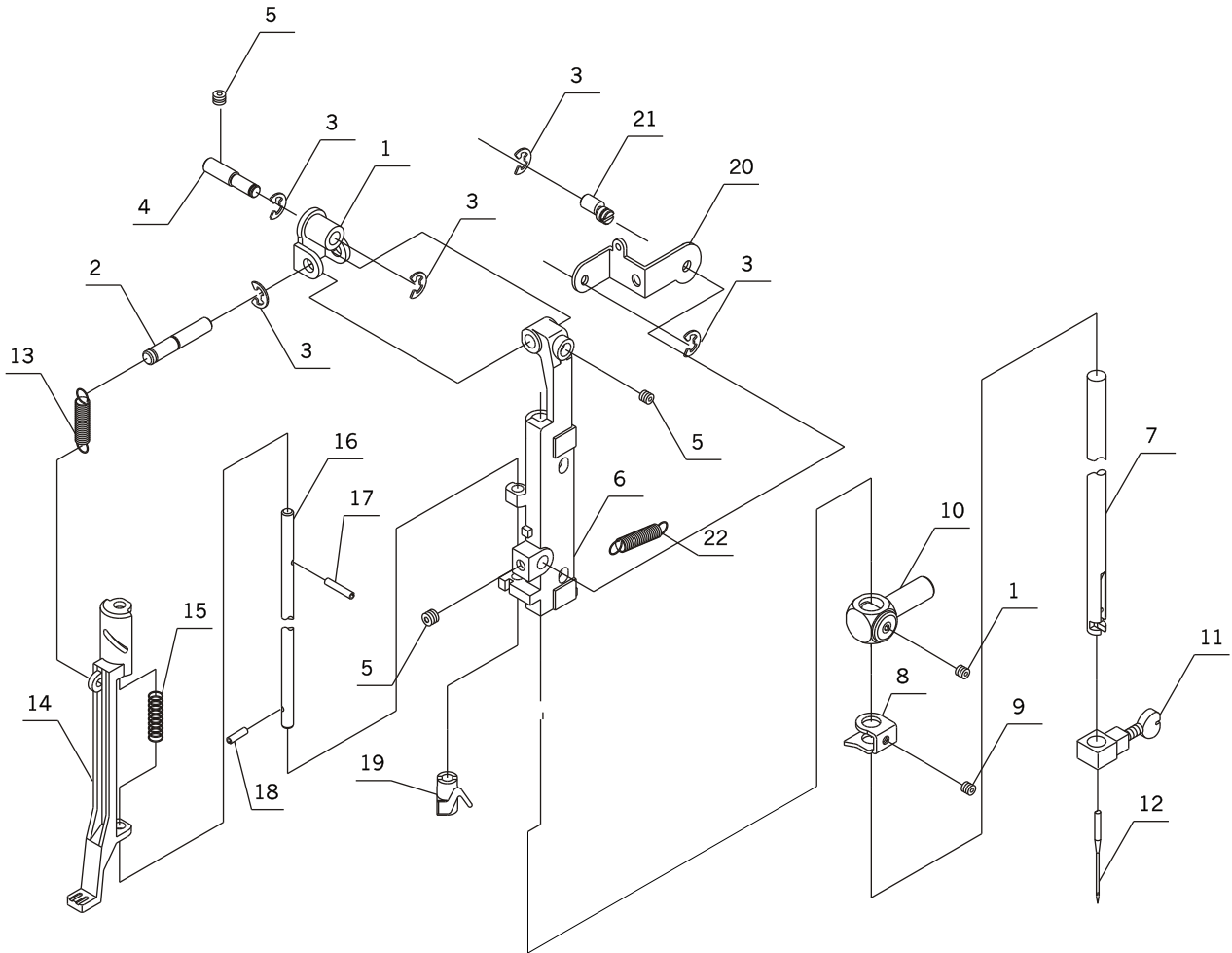
Key	Parts No	Name of Parts	Key	Parts No	Name of Parts
1	168001	Arm	30	000080206	+ pan head T screw 2x8
2	218002	Back cover	31	000082305	+ binding head T screw 3x5
3	000087300	pan head T screw 3x12	32	128022	Switch plate
4	000081603	binding head screw 4x12	33	128126	Sensor control plate base
5	000087908	T screw 3x8	34	00082408	binding head screw 3*6
6	000081407	binding head screw 4x8	35	c168-012	Sensor control plate
7	168070046	Spool pin	36	000002501	Snap ring CS-3
8	000002208	Snap ring CS-6	37	730114-1	Feed crank
9	168225	Handle	38	868033	Clutch rod spring
10	218009	Threading guide (A)	39	000081201	+binding head screw 4x5
11	168212	Threading guide shrapnel			
12	321143000	Bobbin winder stopper			
13	168068	Front cover bracket			
14	000081706	binding head screw 4x14			
15	C168-006	Bobbin winder crank base			
16	C168-007	Bobbin winder crank			
17	266033008	Bobbin winder fell			
18	266032007	Bobbin winder shaft ring			
19	218011	Bobbin winder shaft			
20	000001207	Snap ring E-4			
21	360046003	Bobbin winder crank spring			
22	168075	Bobbin winder spring holder			
23	000081500	binding head screw 4x10			
24	168055	Clutch rod			
25	168056	Clutch rod spring			
26	266020006	Rubber cushion			
27	168502	Bobbin winder regulate lead shaft			
28	000010003	Rapid nut M4x0.7			
29	296122	Switch plate			



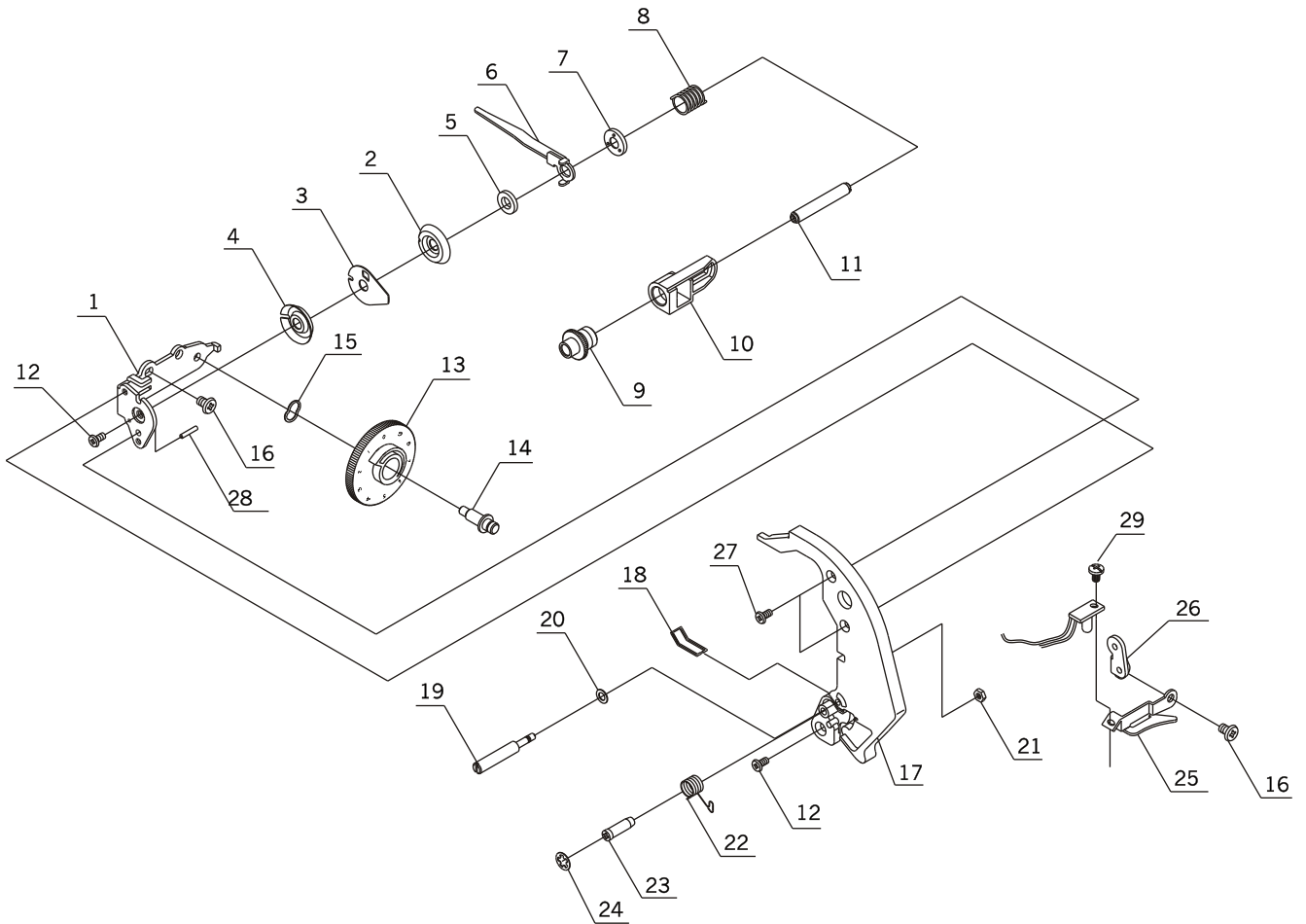
Key	Parts No	Name of Parts	Key	Parts No	Name of Parts
1	269001	Face cover			
2	296115	Front cover bracket			
3	000087300	Pan head T screw 3*12			
4	000087909	T screw 3*6			
5	000081706	pinding head screw 4*14			
6	262012003	Start/stop button			
7	Y-168038024	Button			
8	YSDW059	Sensor			
9	790031	Pattern selector dial			
10	Y-168038023	Button			
11	296018	Pattern show window			
12	000084709	pinding head screw 3*6			
13	000081418	pinding head screw 4*8			
14	000080201	Flat head set screw 4*8			
15	168071	Detachable foot			
16	843024	Regulate screw			
17	000010003	Rapid nut M4*0.7			
18	000081407	pinding head screw 4*8			
19	218501	Detachable plats cover			
20	269002	Face plats			
21	000081706	pinding head screw 4*14			
22	269007	speed controller box			
23	Y-168040	speed controller			
24	000087012	T screw 3*8			
25	790055001	Cutter			



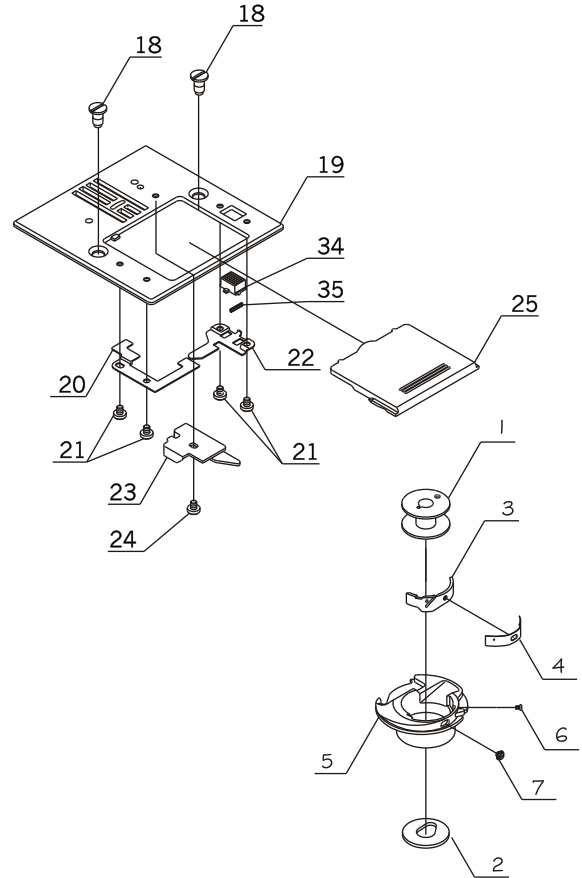
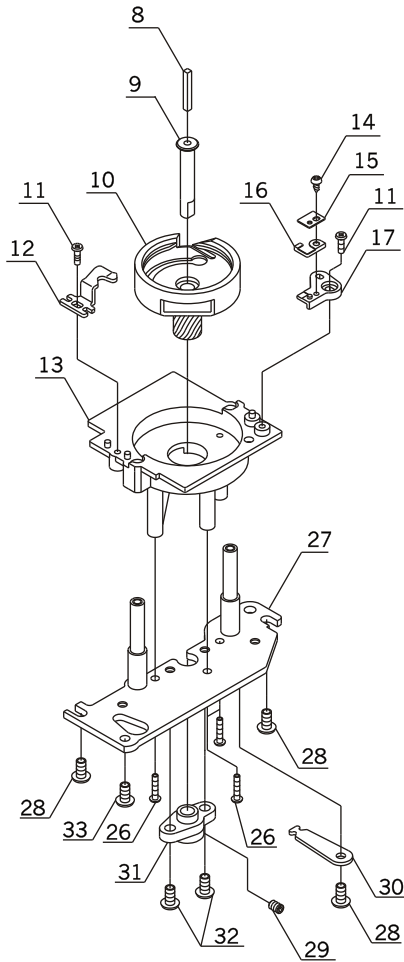
Key	Parts No	Name of Parts	Key	Parts No	Name of Parts
1	730088	Supporter base	25	000079000	Hexagon socket screw 3*4
2	730109	Release lever			
3	000001207	Snap ring E-4			
4	730119	Presser bar lifter			
5	000001207	Snap ring E-4			
6	730092	Needle bar crank lead plate			
7	730099	Needle bar crank stop plate			
8	000082408	binding head screw 3x6t			
9	C168-001	Zigzag motor plate			
10	730194	Presser bar			
11	868078	Presser bar guide bracket			
12	000079402	Hexagon socket screw 4x8			
13	Y-168031	Presser bar spring			
14	416105	Presser foot holder			
15	218504	Presser foot			
16	270024003	Presser foot screw			
17	C168-002	Zigzag gear			
18	128131001	Presser bar spring			
19	000001104	Snap ring E-3			
20	000081407	binding head screw 4*8			
21	000082305	binding head screw 3*5			
22	128024	BH switch case			
23	000082305	Pan head screw 3*53			
24	000087909	T screw 3*6			
25	c168-004	BH connecting crank			
26	296020	BH connecting rod			
27	868047	BH reguate shrapnel			
28	000082605	Pan head screw 2*33			
29	128081	Motor bear (zigzag)			



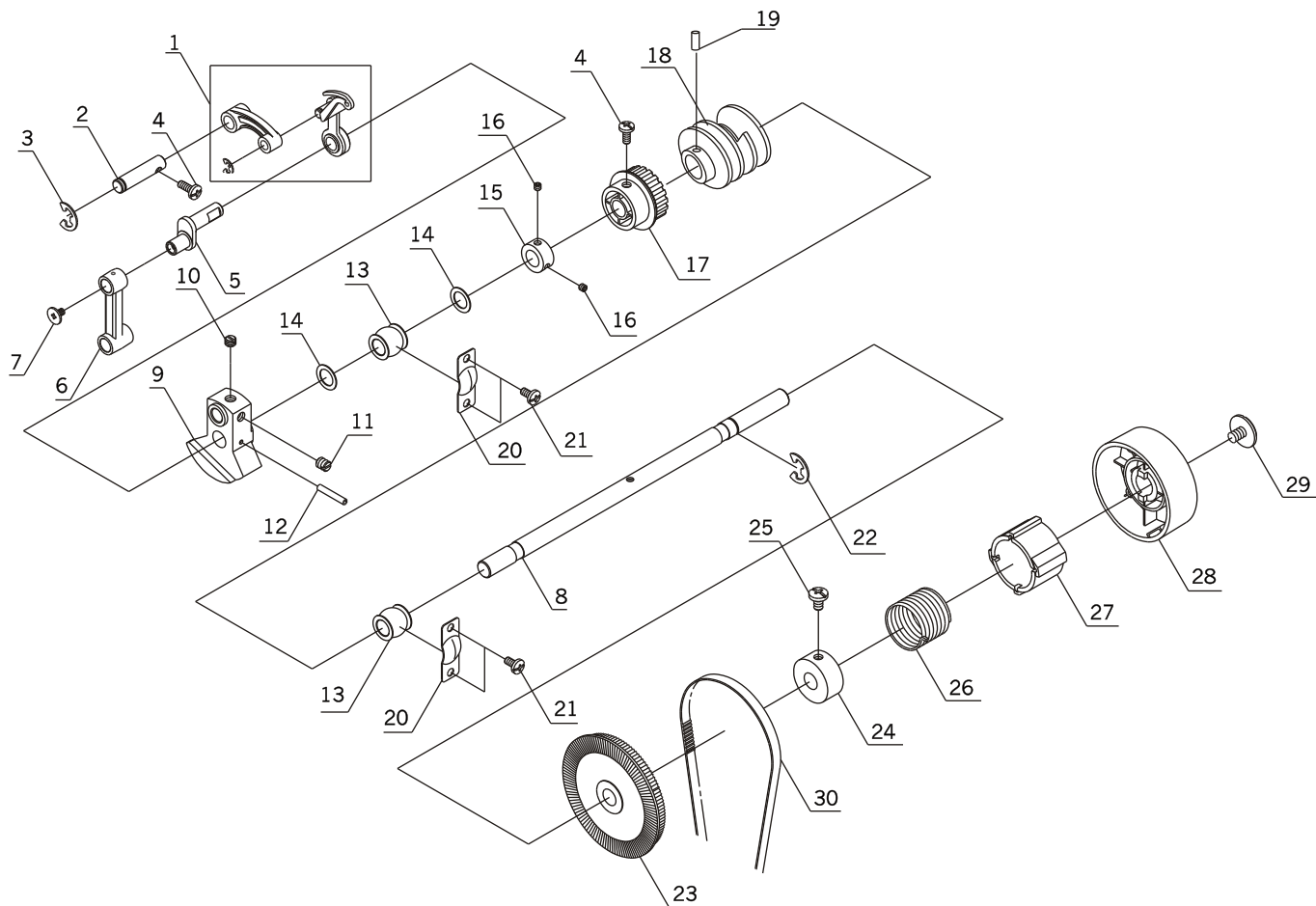
Key	Parts No	Name of Parts	Key	Parts No	Name of Parts
1	730095	Needle bar crank supporter			
2	730096	Needle bar crank pin			
3	000001207	Snap ring E-4			
4	281086007	Needle bar crank supporter shaft			
5	000079103	Hexagon socket screw 4X4			
6	730093	Needle bar crank			
7	730091	Needle bar			
8	270017003	Through thread location plate			
9	000079000	Hexagon socket screw 3X4			
10	281504006	Needle bar connecting rod			
11	168507	Needle clamp			
12	000201324	Needle			
13	730102	Through thread body spring			
14	730100	Through thread body			
15	730103	Through thread body spring			
16	730195	Through thread bar			
17	000006914	Spring 2X12			
18	000006811	Spring 2X8			
19	270030002	Lead thread body			
20	C986-002	Zigzag lever			
21	730078	Zigzag lever eccentric pin			
22	730102	Needle bar crank spring			



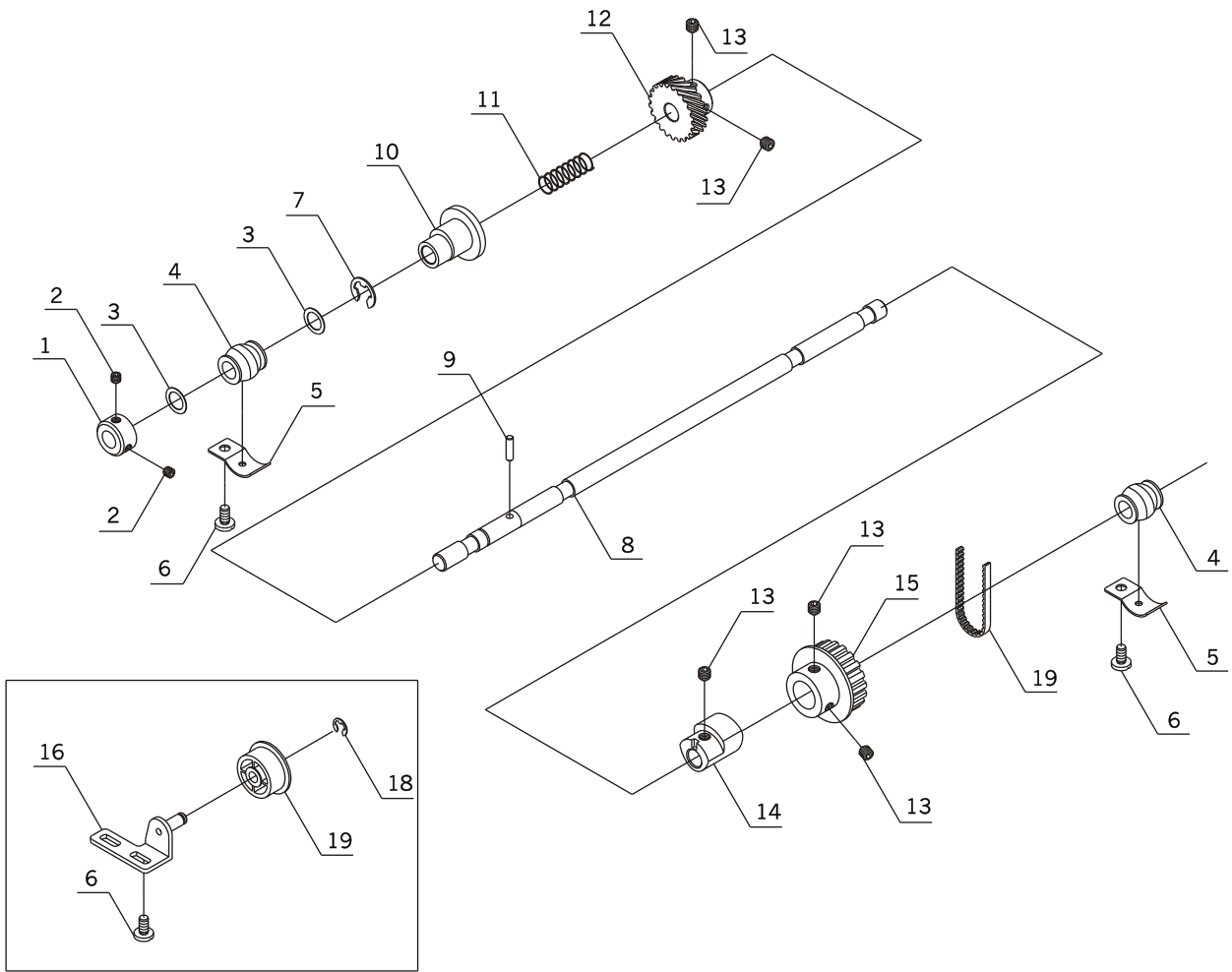
Key	Parts No	Name of Parts	Key	Parts No	Name of Parts
1	730022	Thread tension regulate plate			
2	868060	Thread tension regulate flat (Right)			
3	868059	Middle plate			
4	868060	Thread tension regulate flat (Left)			
5	868138	Plain washer 5.6x15x1			
6	730110	Thread tension connecting plate			
7	868113	Spring set position plate			
8	180028	Thread tension regulate spring			
9	868118	Elastic regulator			
10	730023	Thread tension regulate plate			
11	868116	Thread tension regulator base shaft			
12	000082408	binding head screw 3x6b			
13	868114055	Thread tension regulate dial			
14	730197	Thread tension regulate shaft			
15	868234	Corrugated washer 9 m/m			
16	000081304	binding head screw 4x6i			
17	269003	Threading guide			
18	168066	Threading guide spring			
19	730019	Threading guide shaft			
20	000012200	Plain washer 4x7x0.4			
21	000071002	Hexagon nut 3-3-5.5			
22	730105	thread take-up spring			
23	262026000	Spring set shaft			
24	000002404	Snap ring CS-4.5			
25	C168-015	threading guide shrapnel			
26	730009	Front cover set plate			
27	000084709	Pan head screw 3x6			
28	000007008	Spring pin 1.6x10			
29	000082305	binding head screw 3x5h			



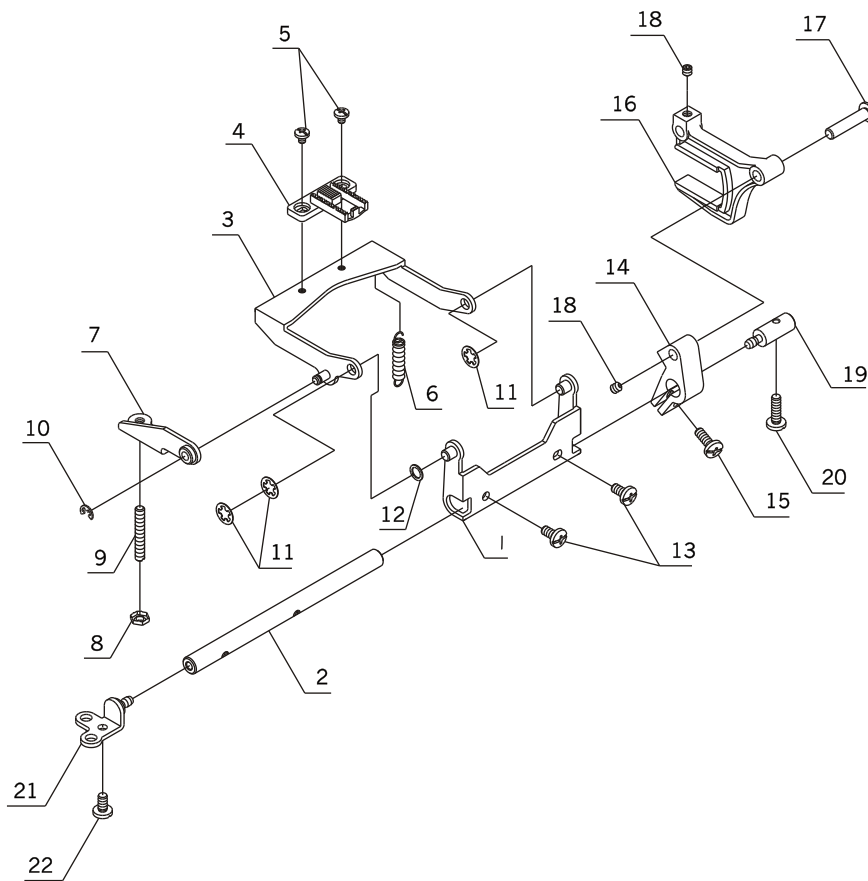
Key	Parts No	Name of Parts	Key	Parts No	Name of Parts	
1	218023	Bobbin	30	730118	Feed lifting spring bracket	
2	730610	BOBBIN CASE COMPLETE	31	730141	Hook race set body	
3				32	000084400	Pan head screw 4x84
4				33	000080808	Flat head screw 4x14
5				34	760005	Slide plate spring
6				35	760004	Switch
7						
8			730168	Oil core		
9	730143	Hook race shaft				
10	730144	Hook race				
11	000087012	T screw 3x8				
12	730150	Bobbin case set stop plate				
13	730142	Hook race cover				
14	730176	T screw 2.6x6				
15	168108	Stop shrapnel holder				
16	730152	Bobbin case stop shrapnel				
17	168109	Stop shrapnel base				
18	266017000	Flat head set screw				
19	C168-026	Needle plate				
20	730147	Slide plate shrapnel (Left)				
21	730175	Set screw (Slide shrapnel)				
22	730217	Slide plate shrapnel (Right)				
23	730151	Bobbin case stop plate				
24	730174	Set screw (Bobbin case stop plate)				
25	168081	Slide plate				
26	000087300	Pan head T screw 3x12l				
27	730140-1	Hook race base				
28	000081407	Binding head screw 4x8				
29	000079206	Hexagon socket screw 4x6				



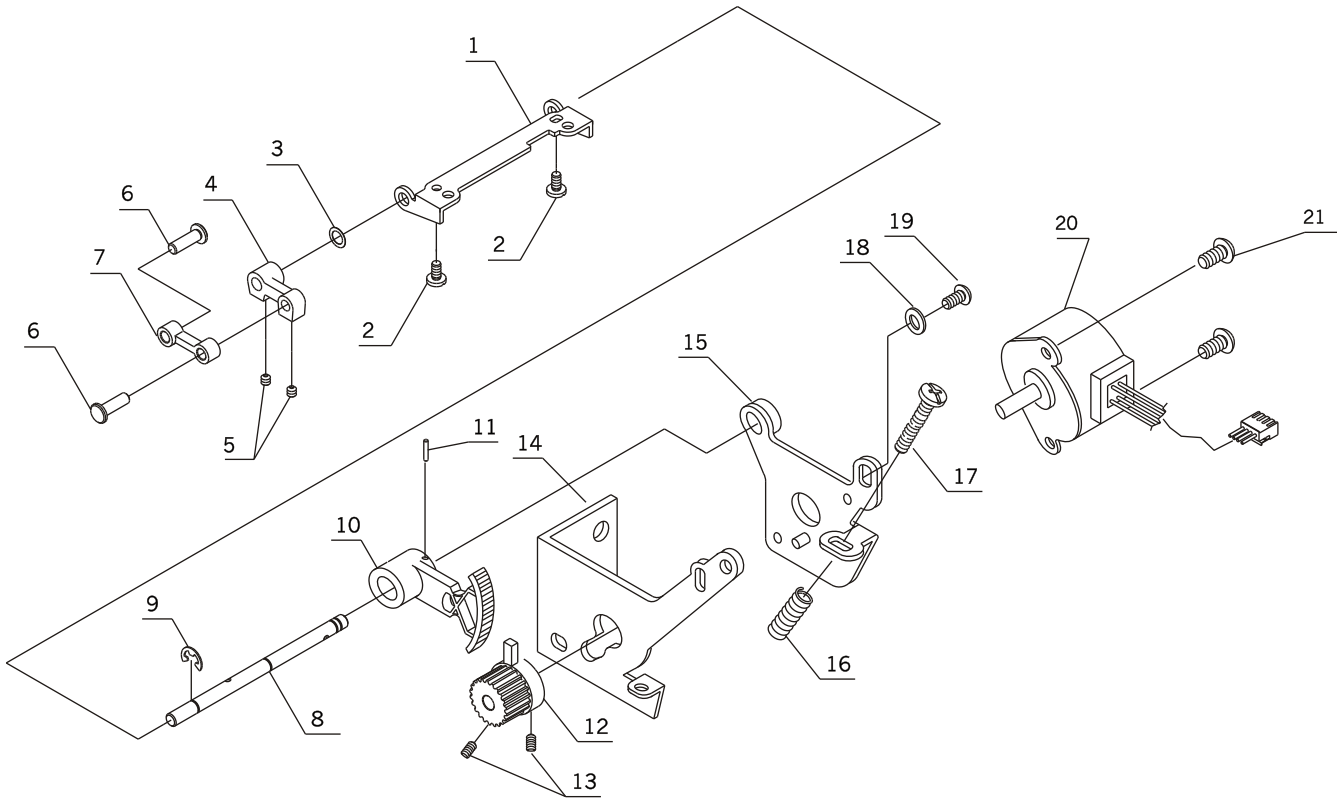
Key	Parts No	Name of Parts	Key	Parts No	Name of Parts
1			30	000093011	Motor belt (460-2GT)
2					
3					
4	168501	THREAD TAKE-UP COMPLETE			
5					
6					
7					
8	218013	Upper shaft			
9	168009	Thread take-up crank			
10	101040008	Set screw SM15/64-28x6.5			
11	574057006	Set screw SM15/64-28x4			
12	000006408	Spring pin 3x20			
13	268007209	Upper shaft bushing			
14	000013305	Thrust washer 10.2x15x0.5			
15	620060008	Upper shaft ring			
16	000079608	Hexagon socket screw 11/64*4			
17	168010	Timing gear A			
18	C168-016	Sensor control plate			
19	000006914	Spring 2*16			
20	268005220	Bushing plate			
21	000081407	binding head screw 4x8*			
22	000001609	Span ring E-9			
23	168011	Timing pulley			
24	168012	Clutch bushing			
25	000079309	Hexagon socket screw 5x5			
26	868031	Clutch spring			
27	868030	Clutch			
28	168013010	Hand wheel			
29	868024	Stop motion large screw			



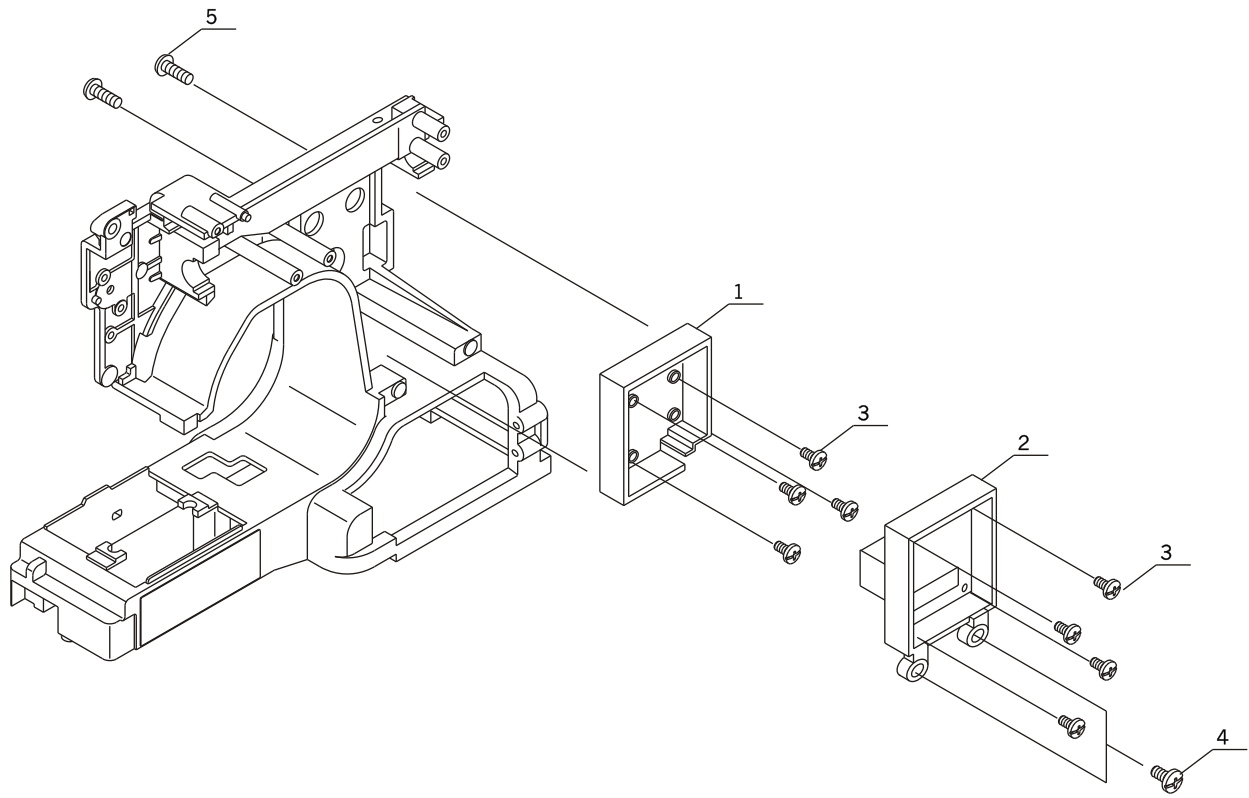
Key	Parts No	Name of Parts	Key	Parts No	Name of Parts
1	730122	Lower shaft ring			
2	000079103	Hexagon socket screw 4x4			
3	000013430	Thrust washer 8.2x12x0.25			
4	730123	Lower shaft bushing			
5	730124	Lower shaft bushing plate			
6	000081407	binding head screw 4x8			
7	000001505	Snap ring E-7			
8	168062001	Lower shaft			
9	730116	Feed lifting cam pin			
10	730113	Feed lifting cam			
11	730115	Feed lifting connecting spring			
12	730121	Lower shaft gear			
13	000079309	Hexagon socket screw 5x5			
14	730131	Feed rock cam			
15	730080	Timing gear B			
16	168063	Belt regulate wheel plate			
17	730083	Belt tension regulate wheel			
18	000001207	Snap ring E-4			
19	000093022	Timing belt 172XL			



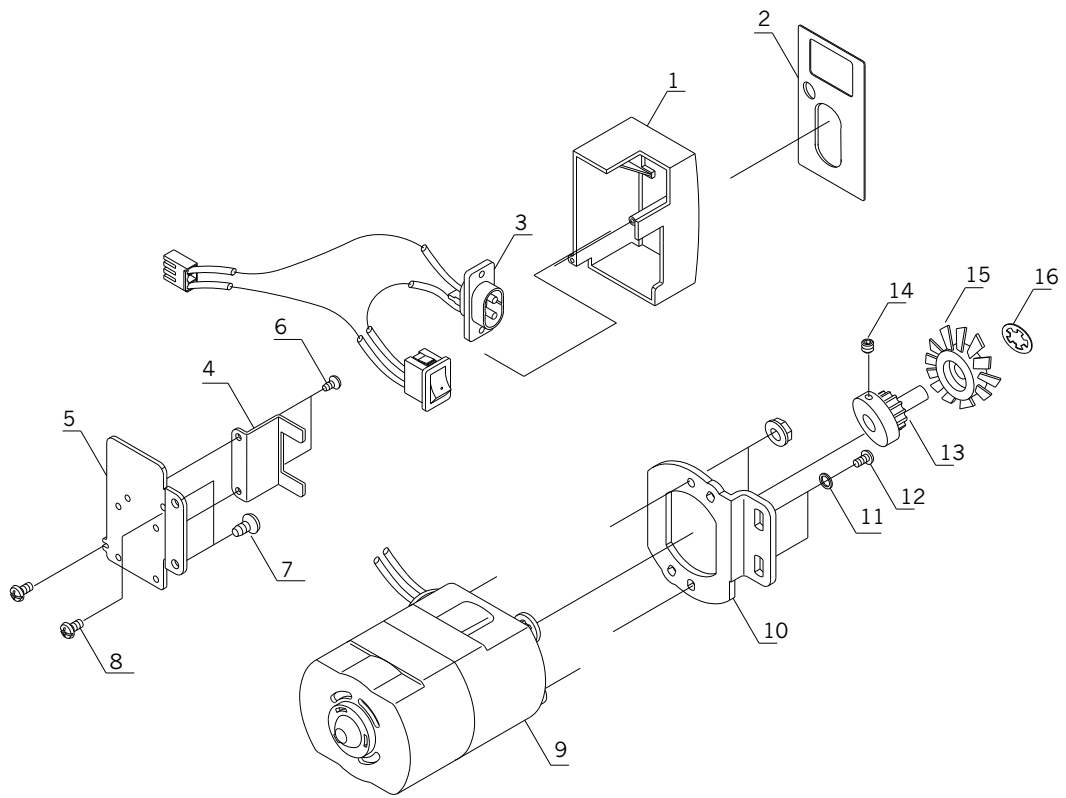
Key	Parts No	Name of Parts	Key	Parts No	Name of Parts
1	730138	Feed dog base crank			
2	730130	Feed rock shaft			
3	168105	Feed dog base			
4	C168-025	Feed dog			
5	000082305	binding head screw 3x5			
6	730139	Feed dog base spring			
7	730117	Feed lifting crank			
8	000010003	Rapid nut M4*0.7			
9	730171	Screw			
10	000001104	Snap ring E-3			
11	000002002	Snap ring CS-5			
12	281040009	Plain washer 5.1x7.3x0.5			
13	000081407	binding head screw 4x8			
14	730129	Feed rock crank			
15	000081603	Set screw 4x12			
16	730107	Feed driving rod			
17	730108	Feed driving rod shaft			
18	000079103	Hexagon socket screw 4x4			
19	730133	Feed rock shaft index pin			
20	000081706	binding head screw 4x14p			
21	730132	Feed rock shaft index pin plate			
22	000084400	Pan head screw 4x8			



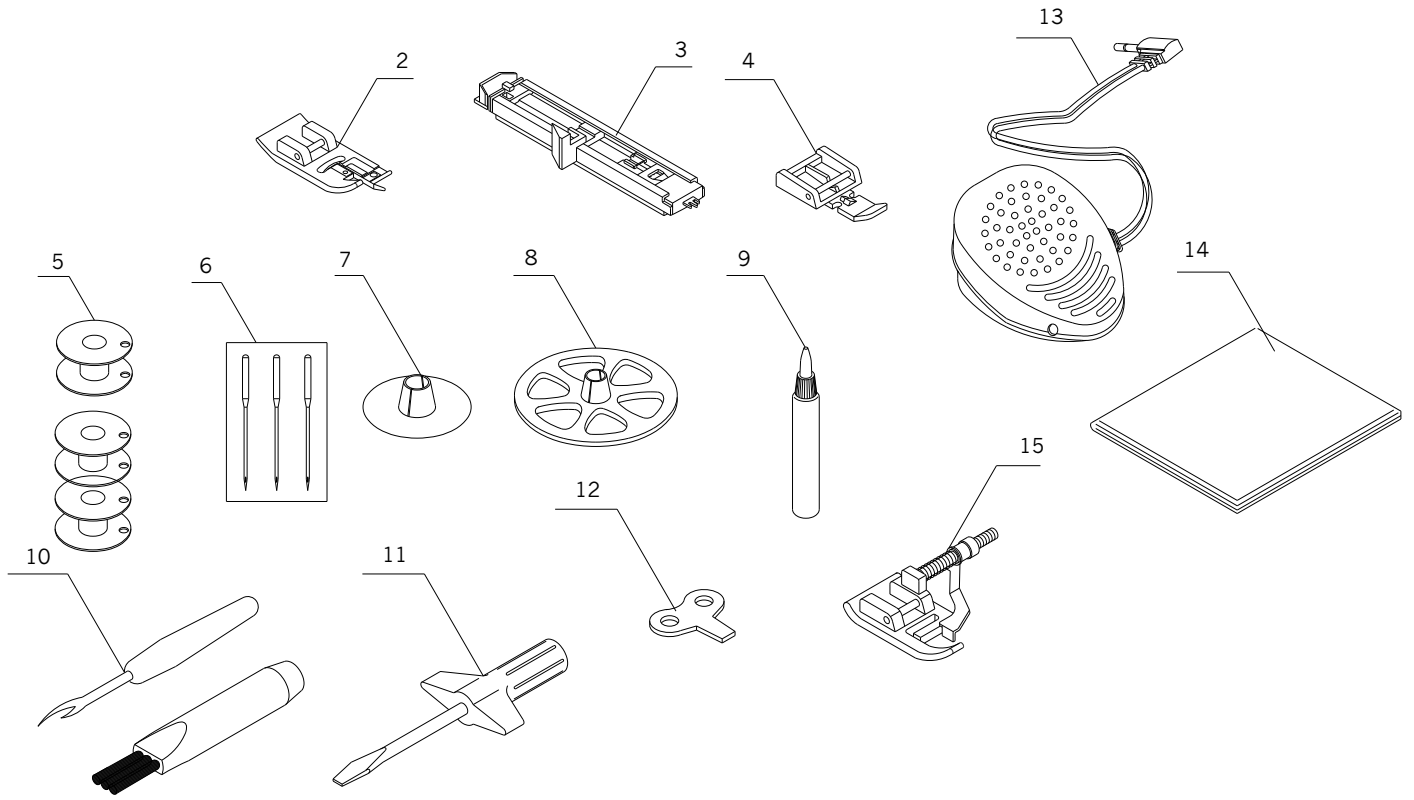
Key	Parts No	Name of Parts	Key	Parts No	Name of Parts
1	168057	Feed regulate shaft base			
2	000081407	+ -binding head screw 4*8			
3	000013017	Plain washer 6.2X9.5X0.13			
4	730048	Feed regulate crank			
5	000079103	Hexagon socket screw 4X4			
6	730052	Feed regulate set pin			
7	730049	Feed regulate rod			
8	168058	Feed rock shaft			
9	000001300	Snap ring E-5			
10	128078	Feed regulate gear			
11	000006914	Spring pin 2*12			
12	C168-003	Motor gear (regulate)			
13	000079000	Hexagon socket screw 3X4			
14	C168-008	Feed motor plate			
15	C168-009	Feed motor plate base			
16	669077	0 Point slight regulate screw			
17	00015008	Slight regulate screw			
18	000011107	washer			
19	000074005	+ -binding head screw 4*6			
20	128082	Motor gear (regulate)			
21	000082305	+ -binding head screw 3*5			



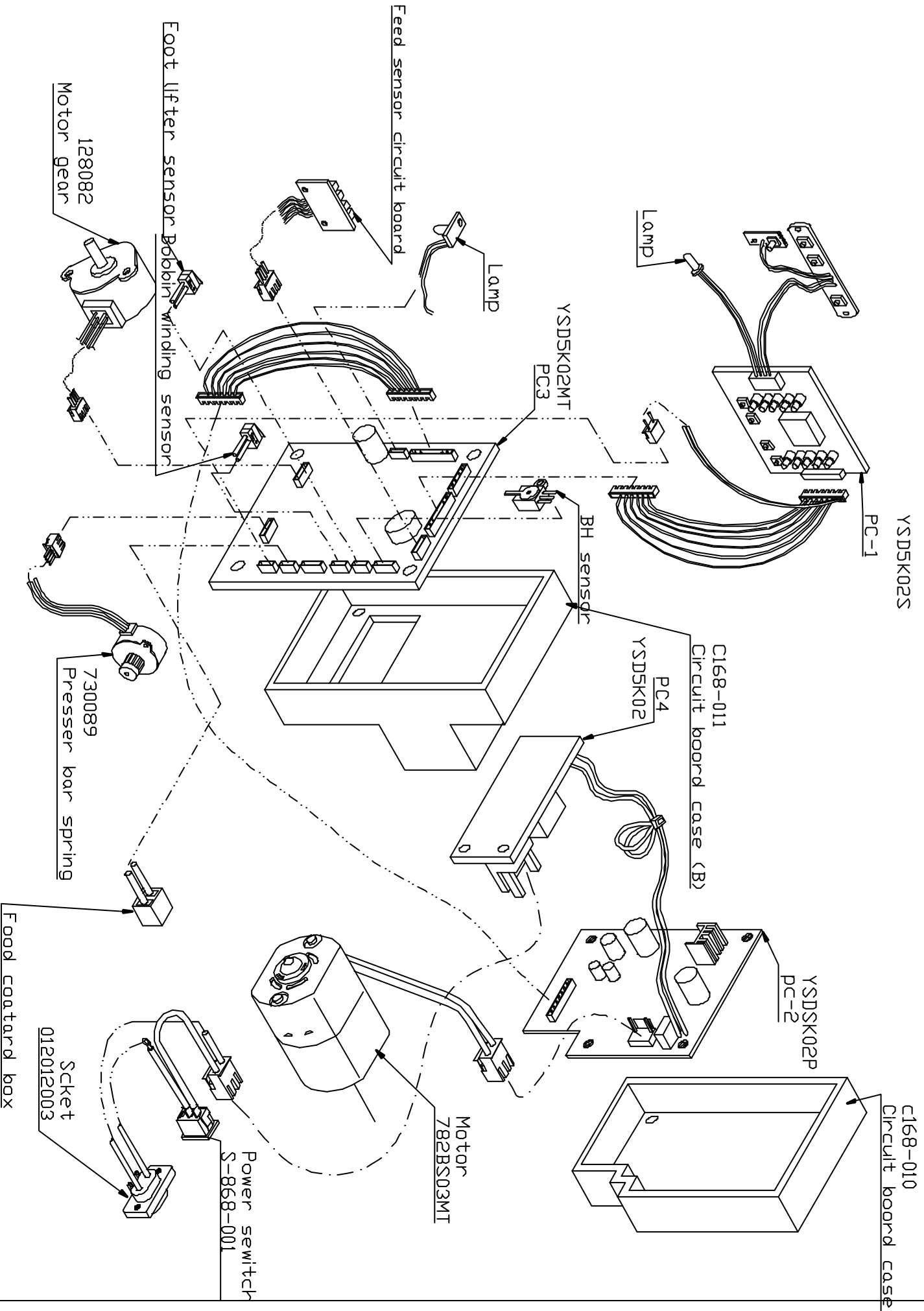
Key	Parts No	Name of Parts	Key	Parts No	Name of Parts
1	C168-010	Circuit board case (A)			
2	C168-011	Circuit board case (B)			
3	000087909	T screw 3*6			
4	000081603	Pan head screw 4*12			
5	000087012	T screw 3*8			



Key	Parts No	Name of Parts	Key	Parts No	Name of Parts
1	416083001	Switch box			
2	218015	Switch show plate			
3	012012003	switch			
	S-868-001	VDE switch			
4	180030001	Power switch plate			
5	218010	Terminal bracket			
6	000083007	+·Pan head screw 3*5			
7	000081407	+·binding head screw 4*8			
8	000085607	+·Pan head screw 3*10			
9	YM343-7	Motor			
10	168064	Motor plate			
11	000088002	Snap washer M5			
12	000083409	+·Pan head screw 5*10			
13	128114	Motor driving gear			
14	000079103	Hexagon socket screw 4*4			
15	128117	Motor fan			
16	000002301	snap ring cs-4			



Key	Parts No	Name of Parts	Key	Parts No	Name of Parts
2	321416018	Overcasting foot			
3	128128	Buttonhole foot			
4	321410001	Zipper foot			
5	218023	Bobbins			
6	000201210	Needles			
7	986014003	Spool pin cap (small)			
8	986013032	Spool pin cap (large)			
9	321405025	Oiler			
10	321406015	Buttonhole opener with brush			
11	321403012	Screwdriver (large & small)			
12	Y-168023	Needle plate screwdriver			
13	180034	Foot Control			
14		Book			
15	CY-7308	Blind hem foot			



C168-010
Circuit board case (A)

YSDSK02S

PC-1

C168-011
Circuit board case (B)

YSDSK02
PC4

BH sensor

YSDSK02MT
PC3

LAMP

Feed sensor circuit board

Foot lifter sensor Bobbin winding sensor

Motor gear
128082

YSDSK02P
PC-2

Motor
782BS03MT

C168-010
Circuit board case (A)

Power switch
S-868-001

Socket
012012003

Food coartard box

Presser bar spring
730089