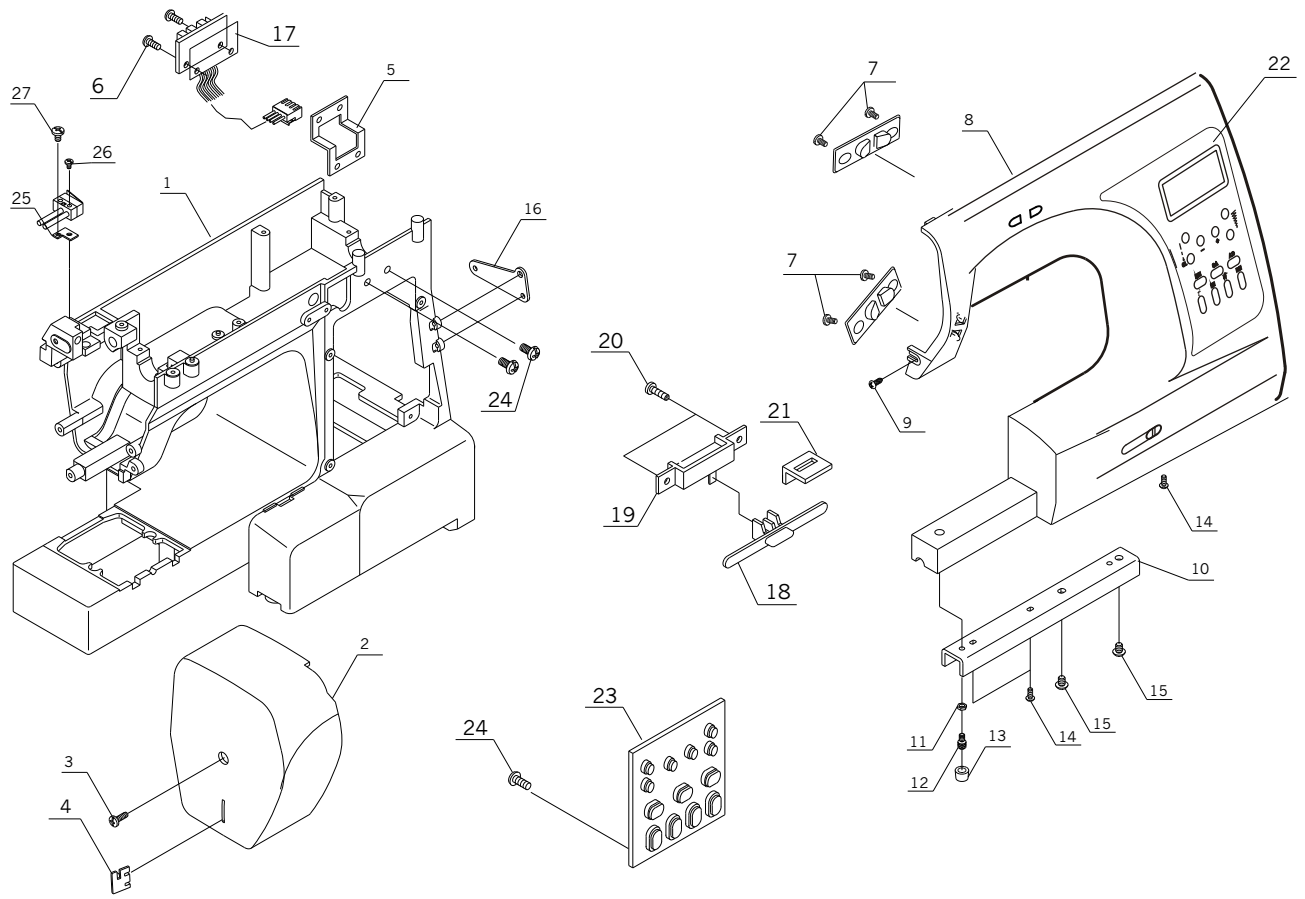
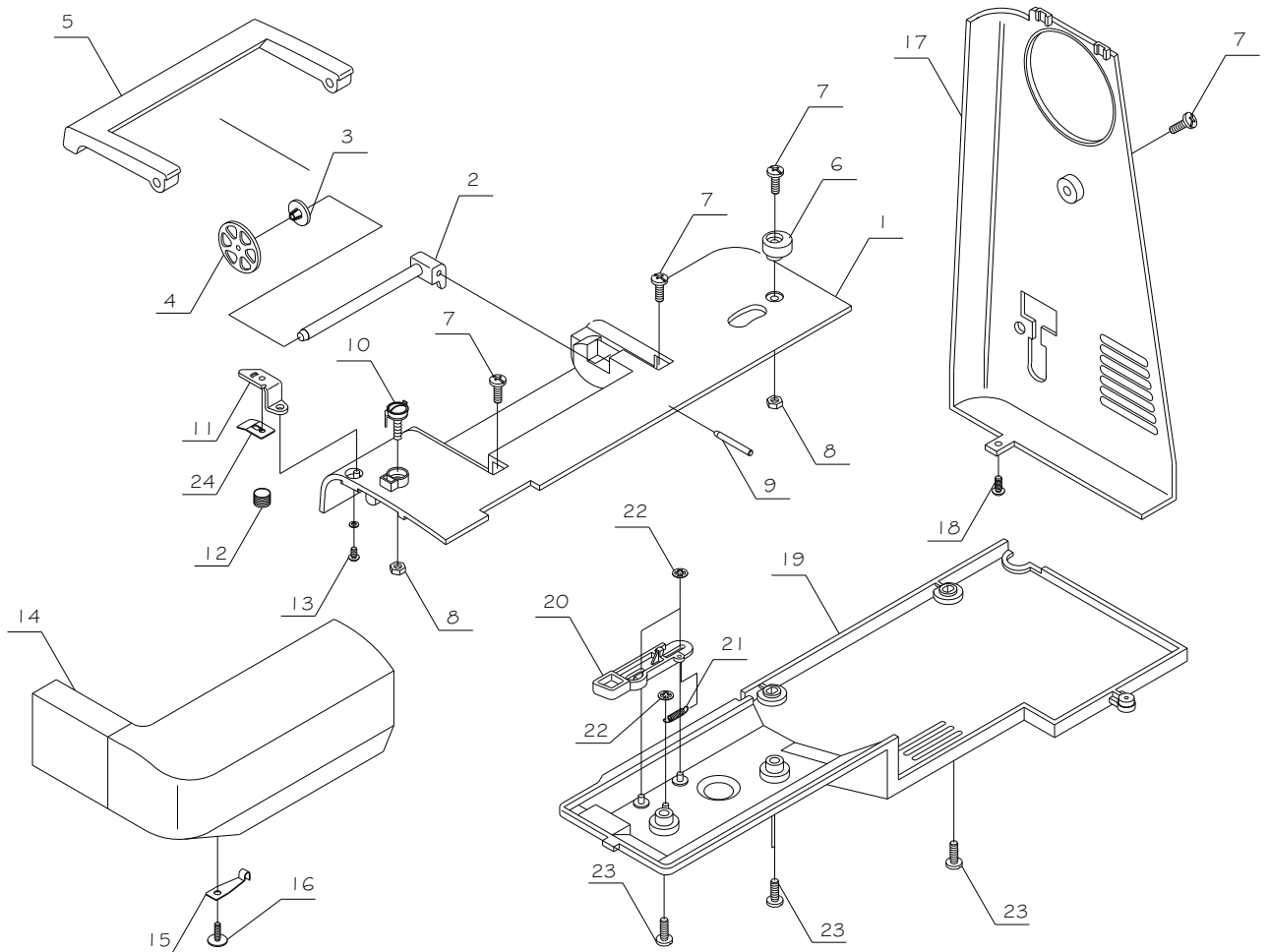


SCM986 PARTS LIST

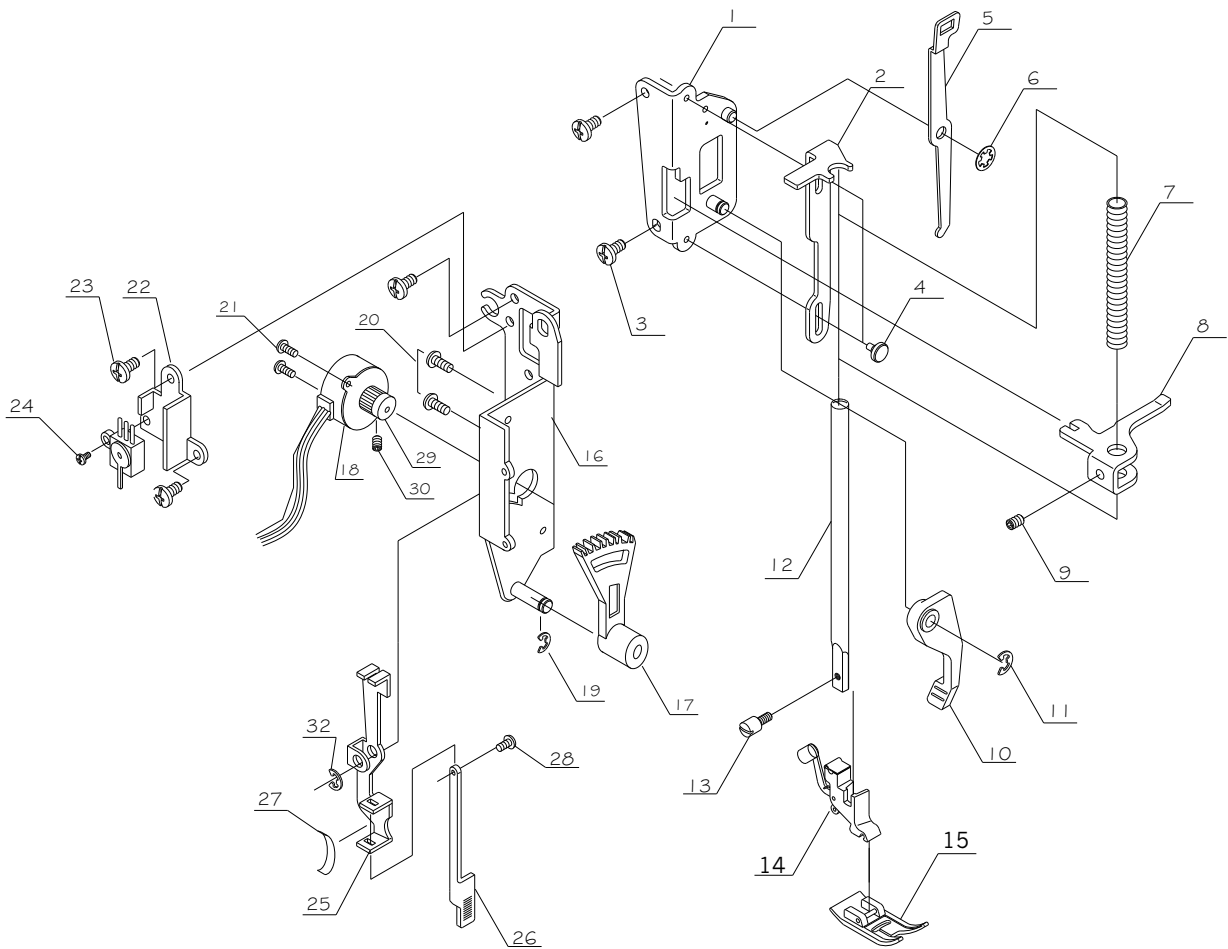
SEWMASTER INDUSTRIAL CO., LTD.



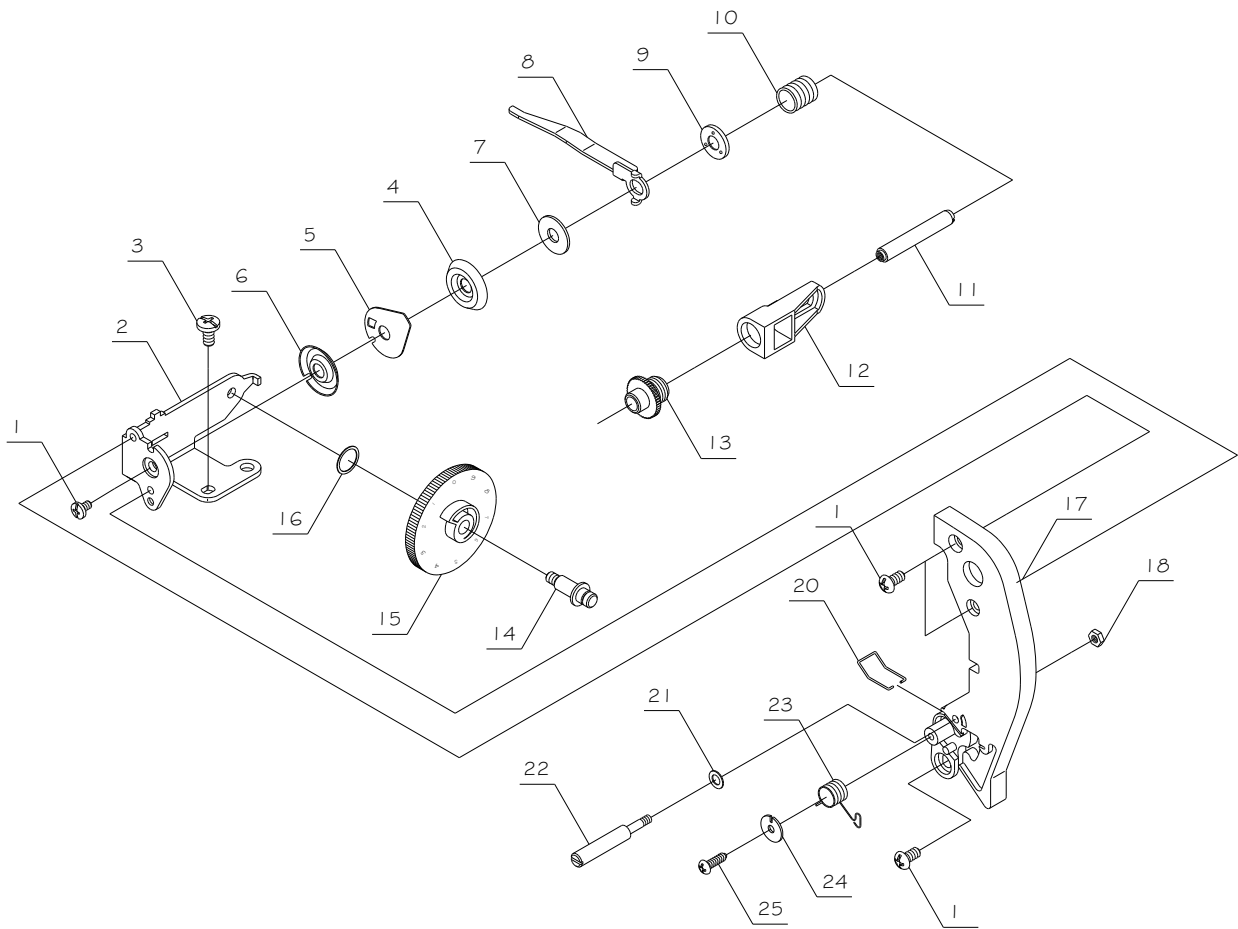
Key	Parts No	Name of Parts	Key	Parts No	Name of Parts
1	986 001	Arm			
2	c986-302	Face plate			
3	000 081 706	binding head screw 4*14(cr)			
4	790055	Cutter (1)			
5	C986-005	Sensor control base			
6	000082408	binding head screw 3*6(
7	000 087 909	T screw 3*6			
8	c986-301	Front plate			
9	000 082 202	binding head screw 3.5*8			
10	986 127	Detachable foot			
11	000 010 003	Rapid nut M4*0.7			
12	730 158	Rubber cushion screw			
13	986258	Rubber cushion			
14	000 087 104	T screw 3.5*8			
15	000 083 409	Pan head screw 5*106			
16	986 126	Motor cover set plate			
17	128126	Sensor control plate base			
18	269006	speed controller			
19	269007	speed controller box			
20	000087012	T screw 3*8			
21	c168-031	speed controller base			
22	c986-024	Pattern show window			
23	c986-023	Button			
24	000087909	T screw 3*6			
25	c986-013	Switch plate			
26	000080206	Pan head screw 2*8			
27	000082305	binding head screw 3*5			



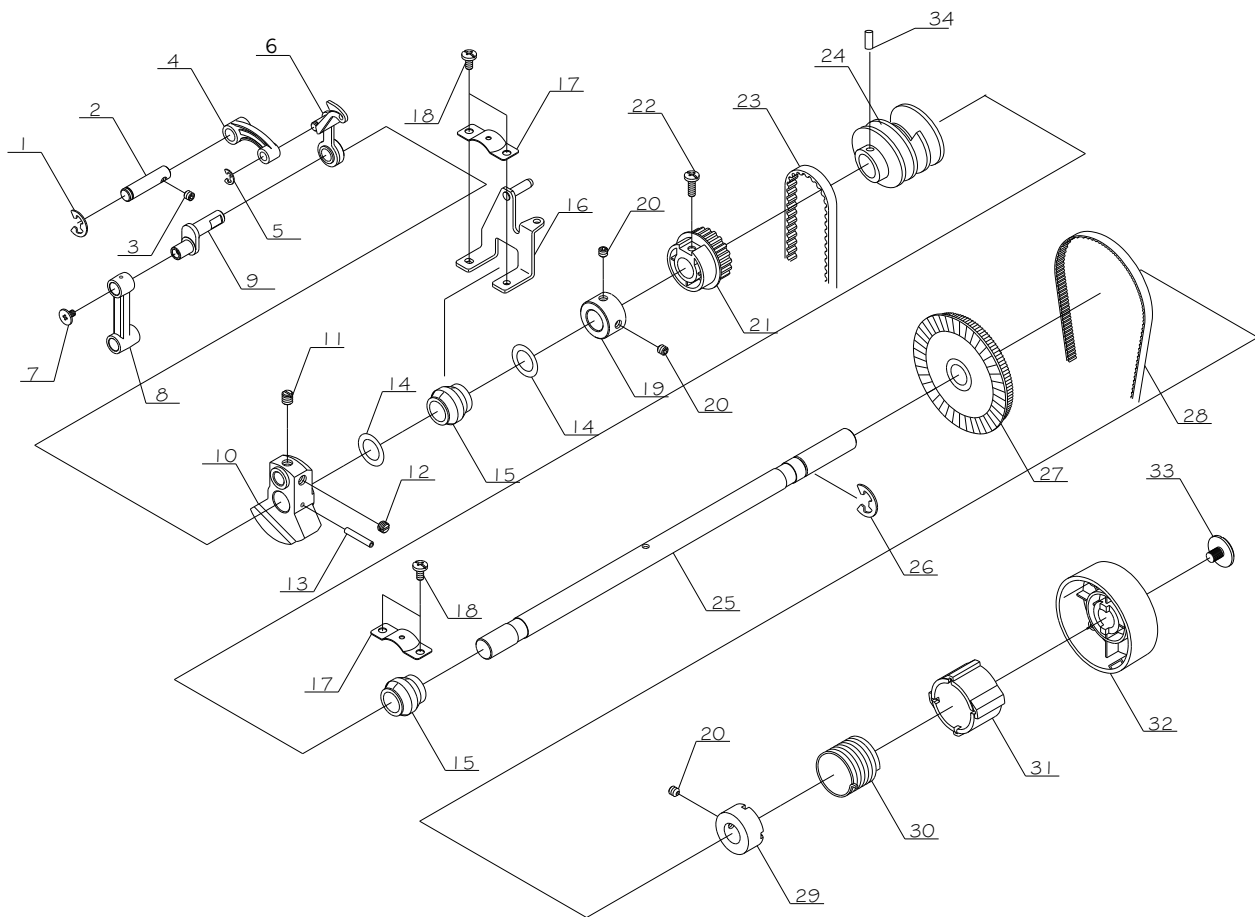
Key	Parts No	Name of Parts	Key	Parts No	Name of Parts
1	C986-012	Front plate			
2	986 008	Spool			
3	986014033	Bobbin cover plate (small)			
4	986013032	Bobbin cover plate (big)			
5	986 015	Handle			
6	321 143 000	Bobbin winder stopper			
7	000081603	binding head screw 4X1 2d			
8	000 071 105	Hexagon nut 4-3-7			
9	986 009	Spool pin			
10	986 010	Bobbin winder regulate lead shaft			
11	986 011	Threading guide			
12	986 047	Threading guide spring			
13	000 087 012	T screw 3X8			
14	C986512	Detachable workplace unit			
15	986 016	Detachable workplace shrapnel			
16	000087908	T washer screw 3X8			
17	C986-020	Threading plate			
18	000 087 104	Pan head T screw 3,5X8			
19	986604001	Arm bed			
20	730114012	Feed lifting connecting crank			
21	868 033	Clutch rod spring			
22	000 002 501	Snap ring CS-3			
23	000 081 603	binding head screw 4X1 2a			
24	986159	Threading guide plate			



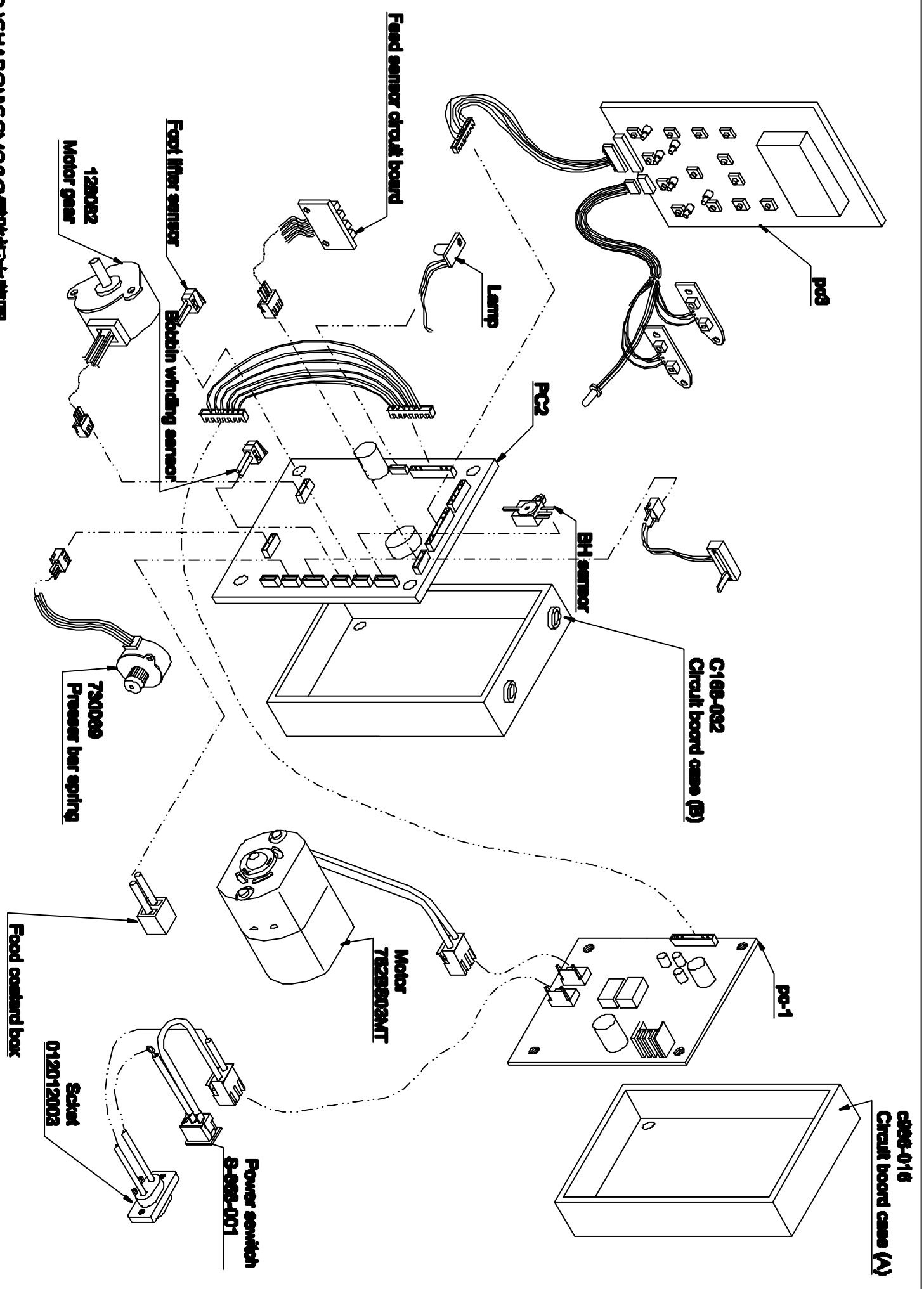
Key	Parts No	Name of Parts	Key	Parts No	Name of Parts
1	128501	Presser bar lifter base	31	000079000	Hexagon socket screw 3*4
2		Presser regulate rod	32	000001207	Snap ring E-4
3	000 081 407	binding head screw 4X8			
4	986 022	Pin			
5	128020	Release lever			
6	000 002 002	Snap ring C5-5			
7	128127	Presser bar spring			
8	128016	Presser bar guide bracket			
9	000 079 402	Hexagon socket screw 4X8			
10	128017	Presser bar lifter			
11	000 001 207	Snap ring E-4			
12	986 026	Presser bar			
13	270024003	Presser foot thumb screw			
14	218504	Presser foot holder			
15	416105	Presser foot			
16	C986-001	Zigzag motor plate			
17	C168-002	Zigzag gear			
18	128131001	Presser bar spring			
19	000001104	Snap ring E-3			
20	000081407	binding head screw 4*8			
21	000082305	binding head screw 3*5			
22	128024	BH switch case			
23	000082305	Pan head screw 3*5			
24	000087909	T screw 3*6			
25	c168-004	BH connecting crank			
26	296020	BH connecting rod			
27	868047	BH regulate shrapnel			
28	000082605	Pan head screw 2*3			
29	128081	Motor bear (zigzag)			



Key	Parts No	Name of Parts	Key	Parts No	Name of Parts
1	000 082 4 08	binding head screw 3X6h			
2	986 045	Thread regulator base			
3	000081407	binding head screw 4X8i			
4	868 060	Thread tension regulate flat(L)			
5	868 059	Middle plate			
6	868 060	Thread tension regulate flat(r)			
7	868 138	Washer 5.6X15X1			
8	730 110	Thread tension connecting plate			
9	868 113	Spring set position plate			
10	868 115	Thread tension regulate spring			
11	868 116	Thread tension regulate base shaft			
12	730 023	Thread tension regulate plate			
13	868 118	Elastic regulate			
14	730 197	Thread tension regulate shaft			
15	868114055	Thread tension regulate dial			
16	868 234	Corrugated washer 9 m/m			
17	986 046	Threading guide			
18	000 071 002	Hexagon nut 3-3-0.5			
20	868 057	Thread guide spring			
21	000 012 200	Plain washer 4X7X0.4			
22	730 019	Threading guide shaft			
23	730 105	Thread taked-up spring			
24	986 048	Spring set plate			
25	000 087 012	T screw 3X8			



Key	Parts No	Name of Parts	Key	Parts No	Name of Parts
1			30	868 031	Clutch spring
2			31	868 030	Clutch
3			32	868025004	Hand wheel
4	986637	Thread take-up complete (986158)	33	868 024	Stop motion large screw
5			34	000006914	spring 2*16
6					
7					
8	281 146 005	Needle bar connecting rod			
9	730 098	Needle bar crank pin			
10	321 031 004	Thread take-up crank			
11	574 057 006	Set screw SM1.5/64-28*4			
12	101 040 008	Set screw SM1.5/64-28*6.5			
13	000 006 408	Spring pin 3X20			
14	000 001 310	Thrust washer 1.3X20X0.25			
15	868 003	Upper shaft bushing			
16	986 061	Handle bracket			
17	868 004	Bushing plate			
18	000 081 407	binding head screw 4X8			
19	321 032 005	Upper shaft ring			
20	000 079 309	Hexagon socket screw 5X5			
21	730 079	Timing belt A			
22	000 081 706	binding head screw 4X14			
23	000 092 906	Timing belt (184*L)			
24	c986-010	sensor control plate			
25	986 060	Upper shaft			
26	000 001 610	Snap ring E-10			
27	868 184	Pulley ring			
28	000 092 009	Motor belt (506-2GT)			
29	868 032	Hand wheel bushing			



cb06-016
Circuit board case (A)

C168-002
Circuit board case (B)