

MINI-STOP (MS)

QE3760

MINI-STOP-L (MSL)

QE5540

Instruction Manual

Part 1

CE

QUICK-ROTAN Elektromotoren GmbH
Königstraße 154
67655 Kaiserslautern
Tel: 06 31/2 00 38 80
Fax: 06 31/2 00 38 62
E-Mail: tech.supp@quick-rotan.com
www.quick-rotan.com

The **CE** symbol confirms that the respective drive system meets the applicable safety requirements of the following EU directives:

- EC Maschine Directive 89/392/EWG
- EMV Directive 89/336/EWG
- Low Voltage Directive 73/23/EWG

Contents

Page

Part 1

1.	General Safety Information	1.1 - 1.2
2.	Technical Specifications	2.1 - 2.2
3.	Range of Application	3.1
4.	Scope of Supply	3.1
5.	Transport and Storage	3.1
6.	Mounting Instructions	6.1 - 6.9
6.1	Mounting of the Motor	
6.2	Adjustment of the motor and machine	
6.2.1	Mounting of the tooth belt	
6.2.2	Tensioning of the tooth belt	
6.3	Electrical connection	
6.4	Preventive Action Against Electrostatic Charges	
6.5	Mounting of Speed Control Unit (SWG)	

Part 2

7.	Construction and Description of the MINI-STOP Drive System	
8.	Application	
9.	Programming by the User	
10.	Start of Operation	

Part 3

11.	Survey and List of Parameters	
12.	Electrical Connections Diagram	

Technical updatings reserved !

1. General Safety Information

This MINI-STOP Sewing Drive System has been constructed and tested in compliance with the relevant regulations and safety standards and has left our factory in proper safety condition.

In order to maintain this condition and to ensure non-hazardous operation, the user is obliged to observe the information and warning notes contained in this Operating Instructions Manual.

The MINI-STOP is not a ready-to-use machine, but is designed for installation into machines of the sewing-thread processing industry operating in clean and dry localities. It is not allowed to operate the MINI-STOP in any machine unless the machine destined for receiving installation of this motor is specifically identified as being in compliance with the regulations of the EC Rule on machines.

Any application or use beyond the conditions stipulated above, such as outdoors, in moist or explosion hazardous environment, is not considered to be in compliance with specifications. Application in compliance with regulations and standards also includes close observation of the operating, maintenance and repair conditions stipulated by the manufacturer.

The MINI-STOP can function safely and reliably only when used in compliance with this Operating Instructions Manual and in compliance with the use it is intended for.

Read this Operating Instructions Manual thoroughly before unpacking and commissioning the MINI STOP. Please make yourself acquainted with all safety, installation, operating and maintenance instructions before starting operation of the MINI-STOP, its accessories and attachments.

Any and all activities on and by means of the MINI-STOP must be carried out exclusively under close observation of the general and specific safety instructions given in the ensuing sections of this Operating Instructions Manual!

All persons involved must be made thoroughly familiar with these safety instructions, requiring them to observe these closely. Non-observation of these safety instructions can cause injury to persons, damage to objects or malfunction of or damage to the drive system itself.

Any and all accident prevention regulations as well as the rules on work in compliance with proper practices and safety standards valid in the user country involved must be fully observed. This drive system is subject to installation and commissioning by properly trained personnel!

Installation and commissioning of the MINI-STOP must be made with due care by qualified technicians so as to minimize the effects of any disturbing influences which are likely to constitute health hazards to personnel or any other perilous condition.

Doing any work on any parts or elements of the equipment being under live voltage is not permitted! Exceptions are subject to EN 50110.

Before removing any cover parts or installing any attachments or accessories - such as speed control unit, light barrier control etc. - switch the machine off, shut off physical connection with mains voltage, and wait for the machine to come to complete stop. Do not open the control box before ten minutes have elapsed!

In order to reduce any hazard of burns, fire, electrical shock, or injury, it is basically not permitted to make any structural modifications or other changes on the MINI-STOP.

It is not allowed to operate the equipment with any cover or protection elements removed!

Before leaving the workplace, turn the ON/OFF switch into its OFF position. In case of prolonged pauses of operation, remove the mains plug from the wall outlet so as to safeguard the drive system against being inadvertently switched on again.

Any equipment or auxiliary facilities additionally connected to the control system of the MINI-STOP are only allowed to be operated on low voltage generated by a safety transformer!

Never use the drive system with its ventilation louvers clogged. Make sure that ventilation louvers are unobstructed by fibres, lint, dust etc.

Do not introduce or drop any objects, such as needles, into the ventilation louvers.

Keep your hands out of the area of moving parts!

Do not operate the MINI-STOP when using aerosols (sprays) or oxygen!

This Operating Instructions Manual is an integral part of the MINI-STOP and must be passed on with it in case of change of ownership.

The instructions given in the sections below are destined for your own safety as well as for that of other persons.



Warnings given in various section of this Operating Instructions Manual for the purpose of preventing specific hazards of injury to persons or damage to the equipment are identified by the symbol shown at left.



This symbol is a warning given on the MINI-STOP, indicating dangerous voltage.



The MINI-STOP is permitted to operate only in a properly functional protection earth system in compliance with all local rules and regulations.

2. Technical Specifications

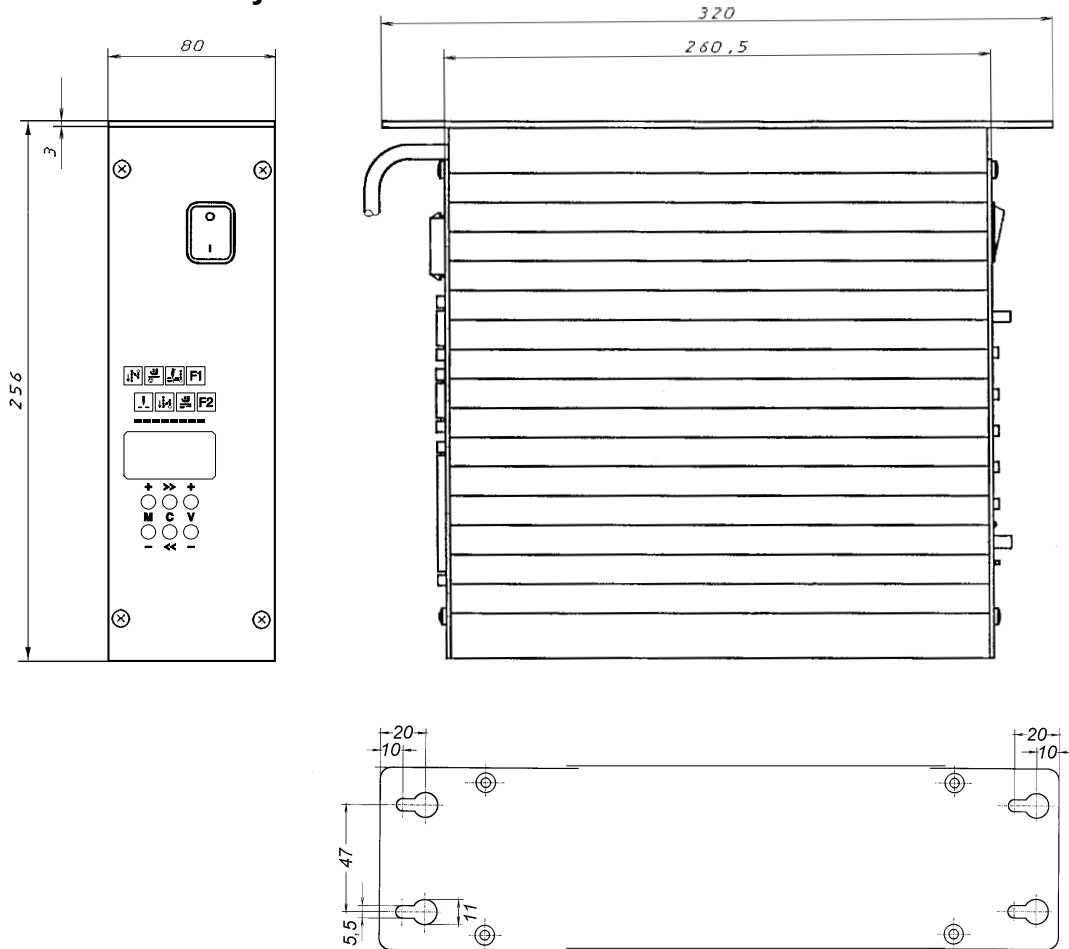
Rated Values:	MS QE3760	MSL QE5540
Voltage (U_N) [V]	230, single phase AC	
Frequency (f_N) [cps]	50/60	
Current (drive system) (I_N) [A]	3,5	5,0
Current (control system) [A]	0,6	
Power (output) (P_2) [W]	375	550
Speed (n_n) [1/min]	6000	4000
Torque (M_n) [Nm]	0,63	1,2
Moment of motor inertia (J_{mot}) [kgcm ²] (without belt pulley)	0,5	1,0
Operating mode	S5 (40 % duty cycle at $t_s = 2.5$ s) Intermittent operation with electrical brake action, relative duty cycle 40 %, operating cycle time 2.5 s	
Protection type	IP40	
Insulation class	E	
Limit Values		
Range of voltage [V]	190 - 240 +/- 10% single phase	
Speed (n_{max}) [1/min]	9000	4500
Torque (acceleration) (M_{max} , short-time) [Nm]	3	7
Power (short-time) (P_{2max} , short-time) [W]	1000	1500
Maximum permissible (J_{masch}) [kg cm ²] sewing machine inertia, reduced to the motor shaft (J_{mach})	4,5	9,0
Conditions of Use		
Ambient temperature [°C]	+ 5 bis 40	
Ambient temperature (24 hour average) [°C]	< 35	
Humidity (relative)	85% bei 30 °C	
Driving voltage of the Outputs		
Idling voltage [V]	25 DC	
Voltage under load [V]	24 DC at $I = 4$ amps (20 DC at $I = 10$ amps short-time)	
Power	96 (200, short-time)	
Load current	4	
Maximum load current	10, (short-time)	

Note: The accumulated load currents of all simultaneously operated outputs (solenoids, solenoid valves) are not allowed to exceed 4 amps!

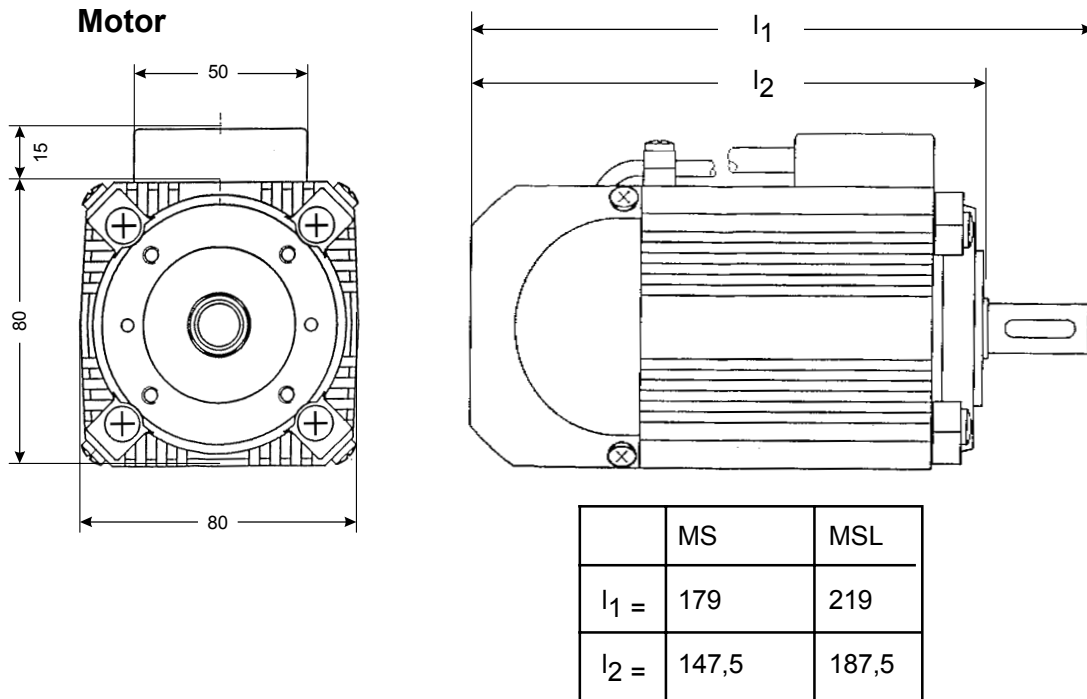
www.promelectroavtomat.ru

Dimensions

Control System



Motor



3. Range of Application

The **MINI-STOP** is not a ready-to use machine, but is intended for installation into other machines, such as sewing units and sewing equipment used by the sewing thread processing industry.

The **MINI-STOP** is destined for use in clean and dry localities.

Any application or use beyond the conditions stipulated above, such as outdoors, in moist or explosion-hazardous environment, is not considered to be in compliance with specifications.

Application in compliance with regulations and standards also includes close observation of the operating, maintenance and repair conditions stipulated by the manufacturer.

4. Scope of Supply

- 1x each synchronous motor with commutation transmitter
- 1x each control system with mains power switch
- 1x each speed control unit SWG2 (Art.Nr.63.012) + accessories
- 1 synchronizer (optional Art.Nr. 62.055)
- 1 operator panel OC-TOP (optional)
- 1x each Operating Instructions Manual

5. Transport and Storage

The MINI-STOP has left our factory after thorough final inspection.

Please check the drive system for any transport damages.

If necessary, file claims with the carrier.

Complaints for missing parts will be accepted within 14 days from the date of purchase.

The MINI-STOP and its accessories are shipped in a carton with polyurethane insert;
outside dimensions: L = 600 mm,
 W = 405 mm
 H = 280 mm

This packing material protects the MINI-STOP against outside influences during transport and storage.

The MINI-STOP is designed to withstand temperatures during transport and storage of between -25°C and +55°C and briefly, but not longer than 24 hours, up to +70°C.

Storage in the packing material must be in a dry environment.

Handle the carton and its contents with care!

6. Mounting Instructions

Before starting installation, please remove all parts from the packing material.

The carton holds the MINI-STOP, its accessories and this Operating Instructions Manual.

Check the contents of the packing carton for completeness.

If you have any questions about installation that are not clarified by the Operating Instructions Manual, please contact us or one of our after-sales service agencies.

Mount the MINI-STOP in compliance with the relevant instructions and illustrations.

6.1 Motor assembly

The following parts will be required:

- mounting plate (machine-specific mounting)
- toothed belt disk for the motor shaft
- toothed belt disk for the machine shaft
- toothed belt
- belt guard

Important! The transmission ratio between the motor shaft and the machine shaft must be 1:1. In other words, the two toothed belt disks must have the same diameter and the same number of teeth!

6.2 Motor and machine adjustment

6.2.1 Toothed belt assembly

- a) Set the motor shaft to the zero position:
 - terminal box is at top
 - motor shaft in line of vision (toothed belt disk)
 - Turn motor shaft so that the feather key is horizontal and pointing to the left (9 o'clock position): the zero marking on the transmitting disk is now in the upper (12 o'clock) position = zero position of the motor.
- b) Set the machine to the zero position:

Turn the handwheel in the direction of sewing until the descending needle point is level with the needle plate = zero position of the machine.
- c) Slide on the toothed belt, thereby ensuring that the machine and motor are still in the previously set zero position.

6.2.2 Tensioning the toothed belt

Before tensioning the toothed belt, make sure that the belt is parallel with the mounting plate. In order to do this, the machine shaft must be turned by hand.

To tension the belt, loosen the fastening screws in the mounting plate so that the latter is slidable for adjusting the belt.

These screws must be retightened while the belt is under tension.

6.3 Electrical Connection (to Mains Power)

All work on the electrical equipment (connection, maintenance, repair) is permitted to be performed only by or under the supervision of a properly qualified technician.

The MINI-STOP is designed for connection to an earthed AC mains power system having a rated voltage between

190 and 240 Volts, 50/60 cps.

Before connecting the power supply line, make sure that your mains power voltage is within the rated voltage range specified on the nameplate of the MINI-STOP.

Connection to mains power is permitted only by means of a multi-contact plug with protection earth contact. Fixed connection is not permitted.

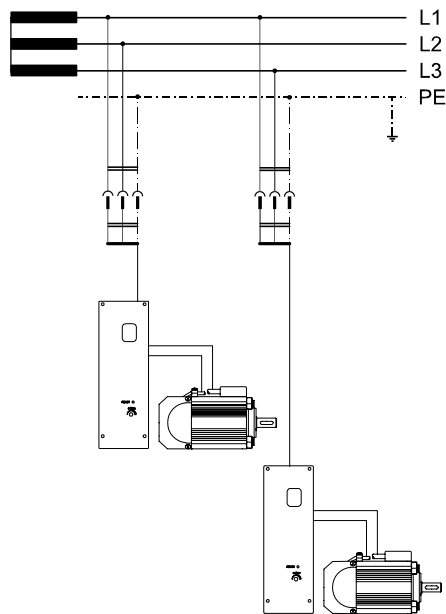
Connect the following potentials:

- Phase (L1 or L2 or L3)
- Neutral conductor (N)
- Protection earth (PE)

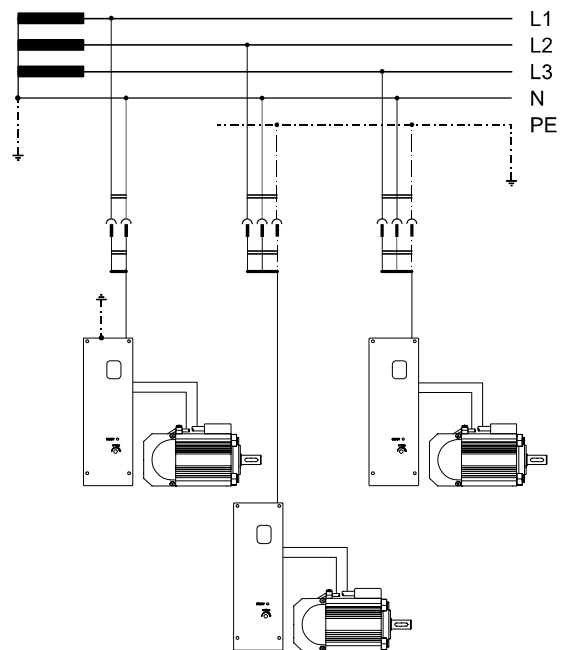
The MINI-STOP is designed for connection to the following types of mains power systems:

- TN (system with a directly earthed point and with a protection earth conductor (PE) connected to this point)
- TT (system with a directly earthed point, the protection earth conductor (PE) not being connected to this point)
- IT (system not directly earthed)

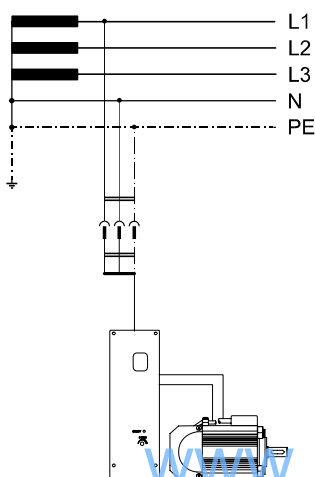
IT-System



TT-System



TN-System



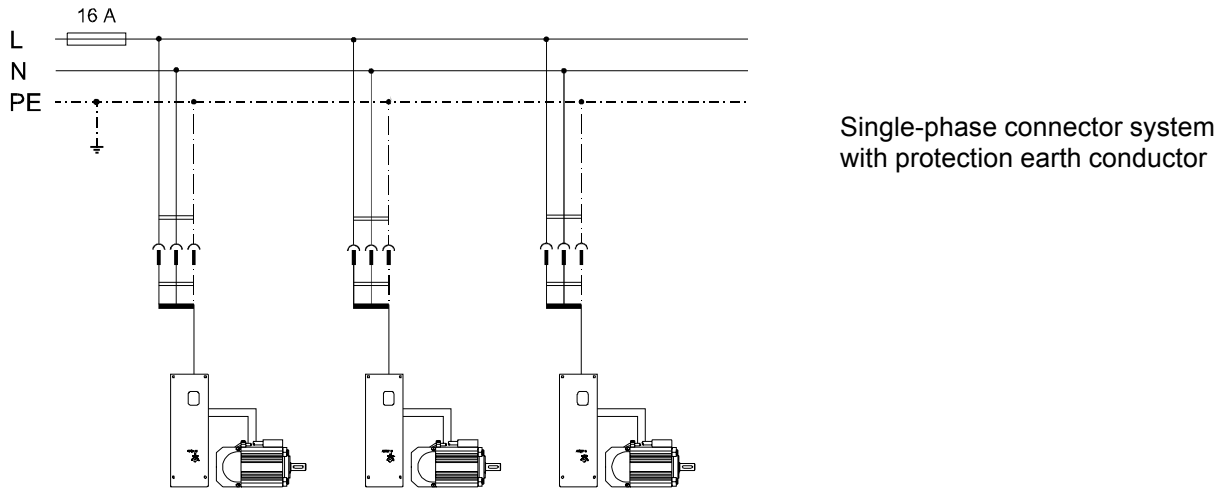
The following applies to TT and IT systems:

All elements protected by a common protective device must be connected to the same earthing via protection earth conductors.

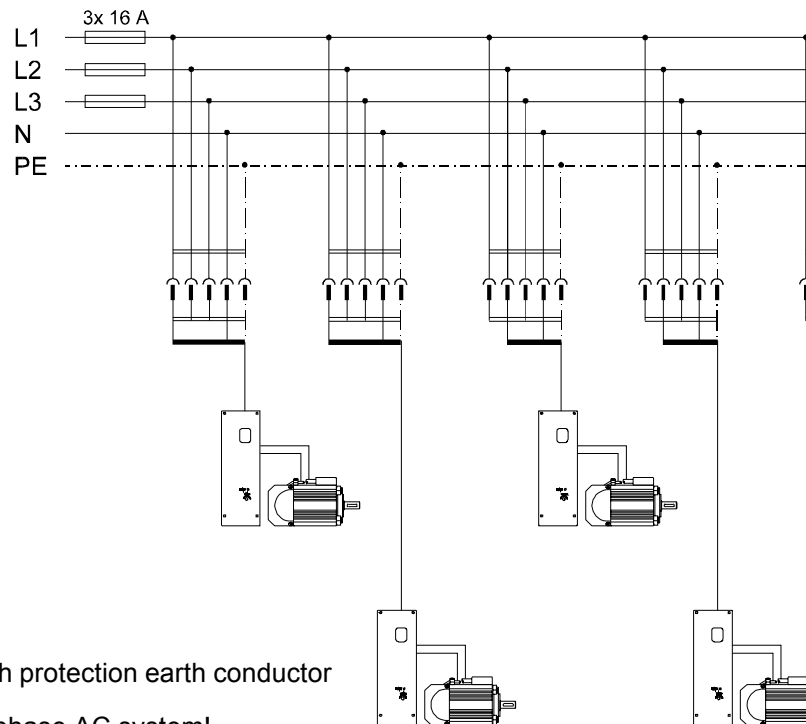
All elements apt to be touched simultaneously must be connected to a common earthing.

The following applies additionally to IT systems:

No active conductor within the installation is permitted to be earthed directly. All elements must be connected individually, in groups, or in total with a protection earthing conductor.



Do not operate more than 5 MINI-STOPS on one circuit fused with 16 amps.



Threephase connector system with protection earth conductor

Make sure to distribute loads evenly in a threephase AC system!

Do not operate more than 3 MINI-STOPS on one face fused with 16 amps in order not to overload the N-conductor!

The MINI-STOP is a protection class I device, i.e. for protection at indirect touching it comprises a protection earth connection.



The MINI-STOP is permitted to operate only in a properly functional protection earth system in compliance with all local rules and regulations in order to avoid danger to persons by electric shock or fire hazards in case of malfunction.

It is not permitted to disable the protection system by using extension cables not equipped with a protection earth conductor.



Caution: Any interruption of the protection earth conductor within the MINI-STOP or outside, or by disconnecting the protection earth connection, can result in making the equipment hazardous.
Any intentional interruption is inadmissible.

Fault Current Protection Devices

If any MINI-STOPS are to be monitored via fault current protection devices, then the latter must be shock puls proof, short pulse delayed as well as suited for alternating and pulsating constant fault currents.

For connections, use line types not lighter than plastic- insulated sheathed flexible cables H05 VV. The minimum conductor cross section must be 1 mm², with the line length not in excess of 5 m. The voltage drop in the protection earth conductor is not permitted to exceed 3.3 V at a measuring current of 10 amps.

Any lines installed must be properly protected against anticipated loads and must be properly fastened.

Place and attach lines so as to maintain a minimum distance of 25 mm relative to any moving parts.

Place lines, mains power leads and low voltage circuits at a proper distance from each other to achieve adequate separation.

For replacement make sure to use exclusively fuses of the type and current rating specified.

Any bridging-over of fuses is inadmissible and will create electrical or fire hazards.

If there is reason to presume that operation without hazards will not be possible, discontinue operation of the drive system and safeguard the equipment against inadvertant use.

Reasons to presume that operation without hazards will not be possible are as follows:

- if the drive system presents visible damage, for instance mains power connection cable,
- if the drive system fails to function,
- after lengthy storage at unfavourable conditions.

The control box may be opened only by properly qualified personnel and after having separated the drive system from mains power by pulling the plug out. (After switching the system off, wait at least 10 minutes.)

Insert and lock carefully the connectors on the control system after having checked the pin and socket configuration and the plug-in direction, to avoid malfunction.

The brake action will not be initiated when mains power supply is switched off or power failure occurs during operation of the MINI-STOP.



When leaving the workplace or when doing maintenance work, separate the machine from mains power by pulling out the plug. For this, do not pull at the cable, but grip the plug and pull it out.

Before separating the MINI-STOP from mains power, bring all control elements into „OFF“ or „0“ position.

6.4 Electro-Magnetic Compatibility (EMC)

The MINI-STOP is designed for installation/attachment to EMC sewing units and equipment, i.e. it complies with the relevant EMC regulations (CDV IEC 204-3-1 44 sec 169) for a cable length of 500 mm at each input or output connector. In accordance with experience, this is adequate for sewing units.

More complicated sewing equipment may require additional action due to longer cables, unfavourable cable placement, neighbouring strong interference fields etc.

The following action can be appropriate for reducing or eliminating interference:

- The use of appropriate filters, delay units, line material or line placement.
- Lines belonging to different circuits (such as mains power, low voltage) being placed at a proper distance from each other to minimize interference.
- Reference potential conductors for the circuits, or a common connection point: star-type wiring with one or more reference points earthed via insulated conductors having a large cross section.
- Electrically conductive parts of the sewing unit or equipment should be connected via potential compensation leads to the protection earth conductor on the MINI-STOP control box. (Use leads suited for high frequencies: fine-gauge stranded leads with a cross section of at least 2.5 mm², or large-area copper bands.)
When connecting potential compensation leads, make sure to achieve good contact, i.e. use toothed washers for connections to painted parts.

Include the following parts in potential compensation:

- sewing machine head
- sewing machine stand
- treadle
- housings of solenoids or solenoid valves
- holding brackets for push-button switches
- stands for stackers, band feeders etc.

- Mass Connections
Lead mass connection lines from each equipment element to a common point.
Use large cross section braided leads between moving parts and casings while keeping mass connection as short as possible.

- Signal Transmission
Use electrostatic and magnetic screening, twisted conductors and appropriate line placement to ensure that transmission of interference voltages from control or mains power lines to signal lines is prevented.
(Right-angle line crossings are better than any lower angles; by all means avoid parallel placement.)

- Separation of Equipment Parts
Equipment parts that are susceptible to interference parts (pulse-processing and/or low-level subassemblies) should be mounted separately from and/or be screened against switching devices such as electromagnetic relays, thyristors etc.

- Although being largely insusceptible to interference, the MINI-STOP should not be operated in the immediate vicinity of HF welding devices or similar equipment to avoid malfunction.

- The MINI-STOP is capable of complying with EMC regulations only when the control box front is provided with its cover!

- The covers of the control box must remain closed during operation in order to avoid malfunction due to EMC causes as well as pollution by dust penetration.

Whenever trouble should occur, please contact the manufacturer.

6.5 Mounting of the Speed Control Unit (SWG)

- Attach the speed control unit by means of the mounting bracket under the machine table.
- Connect the push/pull bar of the SWG with the machine treadle by means of a pitman rod.
- Install the mounting bracket for the SWG in such a way that the pitman rod and the push/pull bar of the speed control unit (SWG) line up to the treadle.
This guarantees a optimal force transmission from treadle to SWG.
- The pitman rod and the treadle should form an angle as close to 90 degrees as possible.
- The speed control unit can be swivelled on the control box within a range of 40 degrees.
- Make sure that the treadle can move with ease!