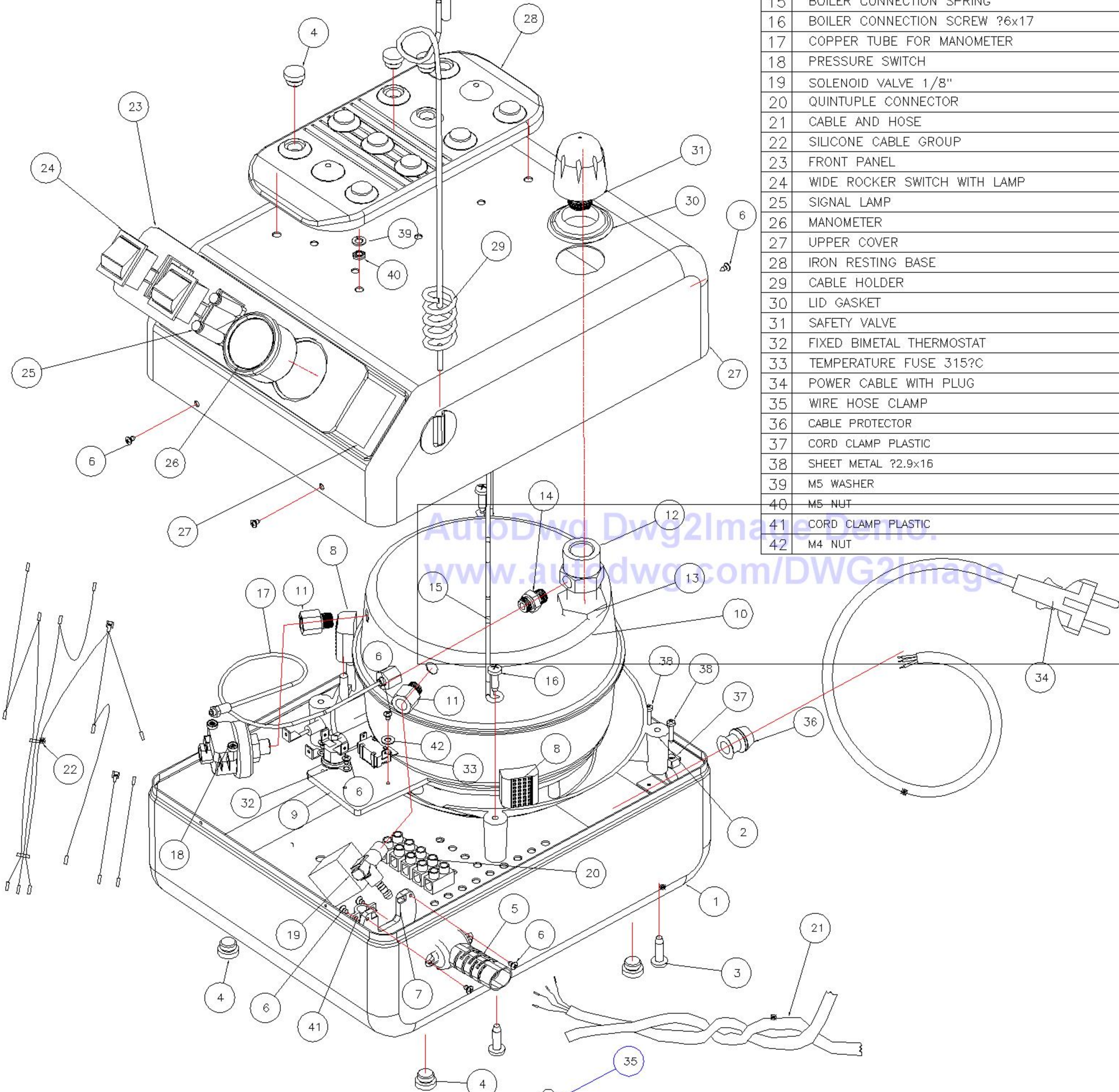


ITEM NO	PART DESCRIPTION
01	BOTTOM COVER
02	BOILER SUPPORT
03	BOILER SUPPORT SCREW ?5.5x16
04	SILICONE SPOTS OF IRON RESTING BASE
05	CABLE SLIT FOR CABLE AND HOSE
06	TOP COVER SCREW ?2.9x9.5
07	CABLE SLIT SUPPORT PLASTIC
08	SILICON BRACKETS OF BOILER
09	HEATING ELEMENT
10	STAINLESS STEEL BOILER
11	1/8"-1/8" VALVE / MANOMETER CONNECTION
12	SAFETY VALVE CONNECTION
13	NUT FOR SAFETY VALVE CONNECTION
14	1/8"-1/8" SAFETY VALVE / PRESSURE SWIICH CON
15	BOILER CONNECTION SPRING
16	BOILER CONNECTION SCREW ?6x17
17	COPPER TUBE FOR MANOMETER
18	PRESSURE SWITCH
19	SOLENOID VALVE 1/8"
20	QUINTUPLE CONNECTOR
21	CABLE AND HOSE
22	SILICONE CABLE GROUP
23	FRONT PANEL
24	WIDE ROCKER SWITCH WITH LAMP
25	SIGNAL LAMP
26	MANOMETER
27	UPPER COVER
28	IRON RESTING BASE
29	CABLE HOLDER
30	LID GASKET
31	SAFETY VALVE
32	FIXED BIMETAL THERMOSTAT
33	TEMPERATURE FUSE 315?C
34	POWER CABLE WITH PLUG
35	WIRE HOSE CLAMP
36	CABLE PROTECTOR
37	CORD CLAMP PLASTIC
38	SHEET METAL ?2.9x16
39	M5 WASHER
40	M5 NUT
41	CORD CLAMP PLASTIC
42	M4 NUT



ADI ve SOYADI	TARİH	MALZEME
?IZEN Metin KARAMAN	04,11,2003	
IRTİBAT		
ONAY H?sn? BASULAS		
?L?EK STOK KODU		
SPR/MN 2002/2035 PART		
ADEDİ	İMAL ŞEKLİ	
	İMAL YERİ	



GRAM	KABA	EBADİ
	HASSAS	
RESİM NO	⊕ ⊖	KULLANILDIĞI YER
SPR/MN 2002/2035-00-001		
REV.NO	031104-1,00	



По вопросам приобретения или с целью консультации
вы можете обращаться по телефону: (495) 989-22-97
или по e-mail: info@krung.ru

Также предлагаем вам посетить
наш информационный сайт
www.krung.ru

www.promelectroavtomat.ru