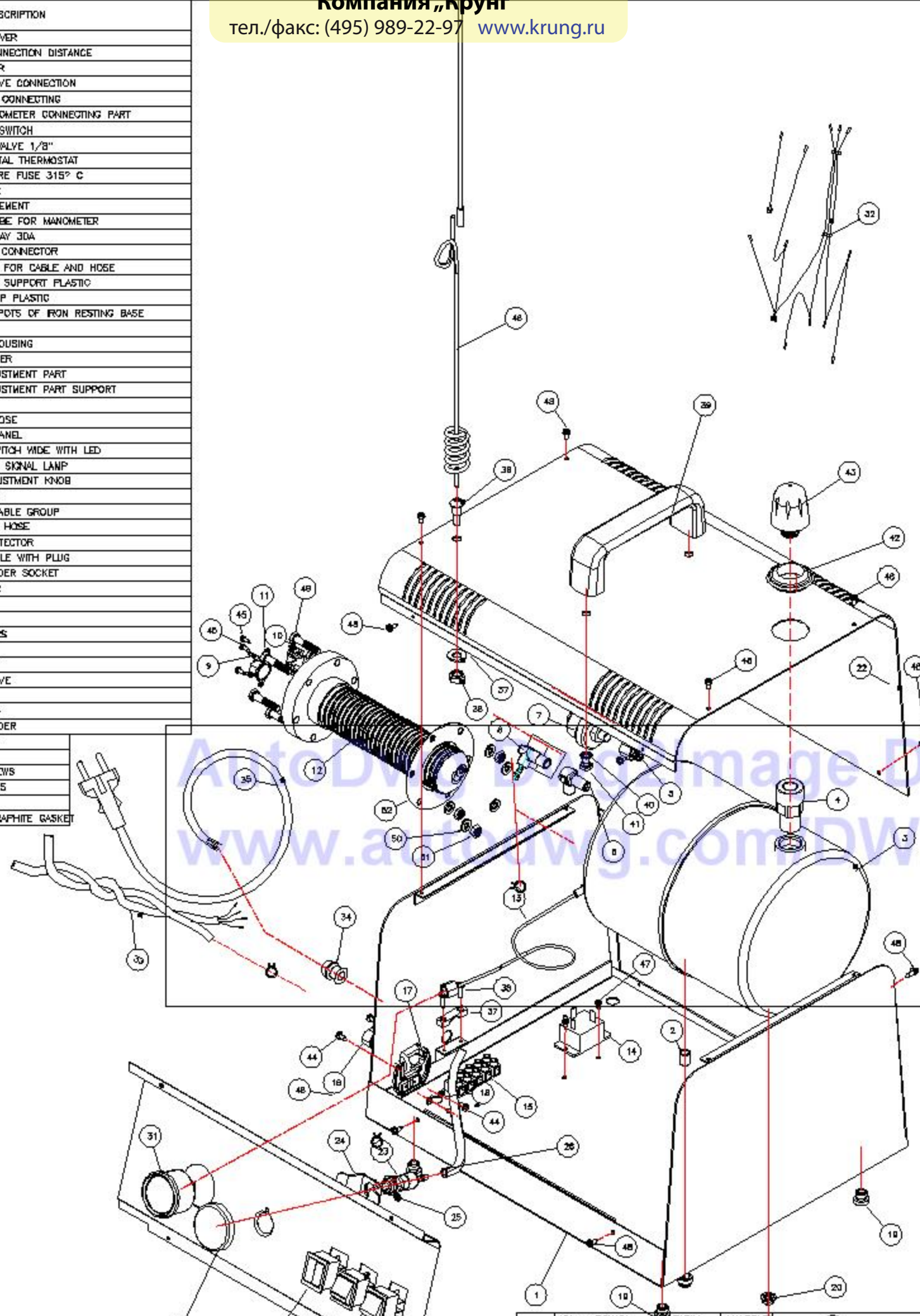


ITEM NO	PART DESCRIPTION
01	BOTTOM COVER
02	BOILER CONNECTION DISTANCE
03	INOX BOILER
04	SAFETY VALVE CONNECTION
05	PRESSOSTAT CONNECTING
06	VALVE-MANOMETER CONNECTING PART
07	PRESSURE SWITCH
08	SOLENOID VALVE 1/8"
09	FIXED BIMETAL THERMOSTAT
10	TEMPERATURE FUSE 315° C
11	M4 WASHER
12	HEATING ELEMENT
13	COPPER TUBE FOR MANOMETER
14	POWER RELAY 3DA
15	QUINTUPLE CONNECTOR
16	CABLE SLIT FOR CABLE AND HOSE
17	CABLE SLIT SUPPORT PLASTIC
18	CORD CLAMP PLASTIC
19	SILICONE SPOTS OF IRON RESTING BASE
20	M6 NUTS
21	SILICONE HOUSING
22	UPPER COVER
23	VALVE ADJUSTMENT PART
24	VALVE ADJUSTMENT PART SUPPORT
25	M3 NUTS
26	SILICONE HOSE
27	CONTROL PANEL
28	ROCKER SWITCH W/IDE WITH LED
29	TWIN UNITS SIGNAL LAMP
30	STEAM ADJUSTMENT KNOB
31	MANOMETER
32	SILICONE CABLE GROUP
33	CABLE AND HOSE
34	CABLE PROTECTOR
35	POWER CABLE WITH PLUG
36	CABLE HOLDER SOCKET
37	M6 WASHER
38	M6 NUT
39	HANDLE
40	M6 WASHERS
41	M6 SCREWS
42	LID GASKET
43	SAFETY VALVE
44	7 2,9 x 6
45	7 2,9 x 18
46	CABLE HOLDER
47	7 2,9 x 18
48	7 3,5 x 6
49	M6x30 SCREWS
50	M6 WASHERS
51	M6 NUTS
52	CARBON GRAPHITE GASKET



www.promelectroavtomat.ru

ADI ve SOYADI	TARİH	MALZEME	31
POZEM Metin KARAMAN	20.11.2005		SILTER
RTIBENT			
ONAY H7an? BASULAS			
PLYEK STOK KODUJ			
SPR/MN 2005 PART LIST			
ADEDI İMAL SEKİ			
İMAL YERİ		REV NO	031120-1,00



По вопросам приобретения или с целью консультации
вы можете обращаться по телефону: (495) 989-22-97
или по e-mail: info@krung.ru

Также предлагаем вам посетить
наш информационный сайт
www.krung.ru

www.promelectroavtomat.ru