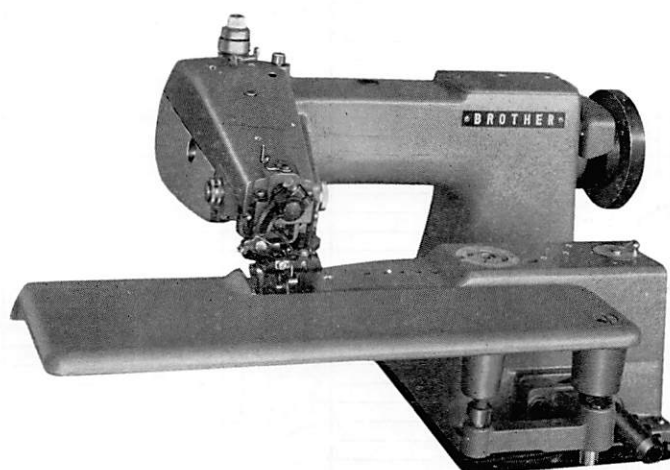


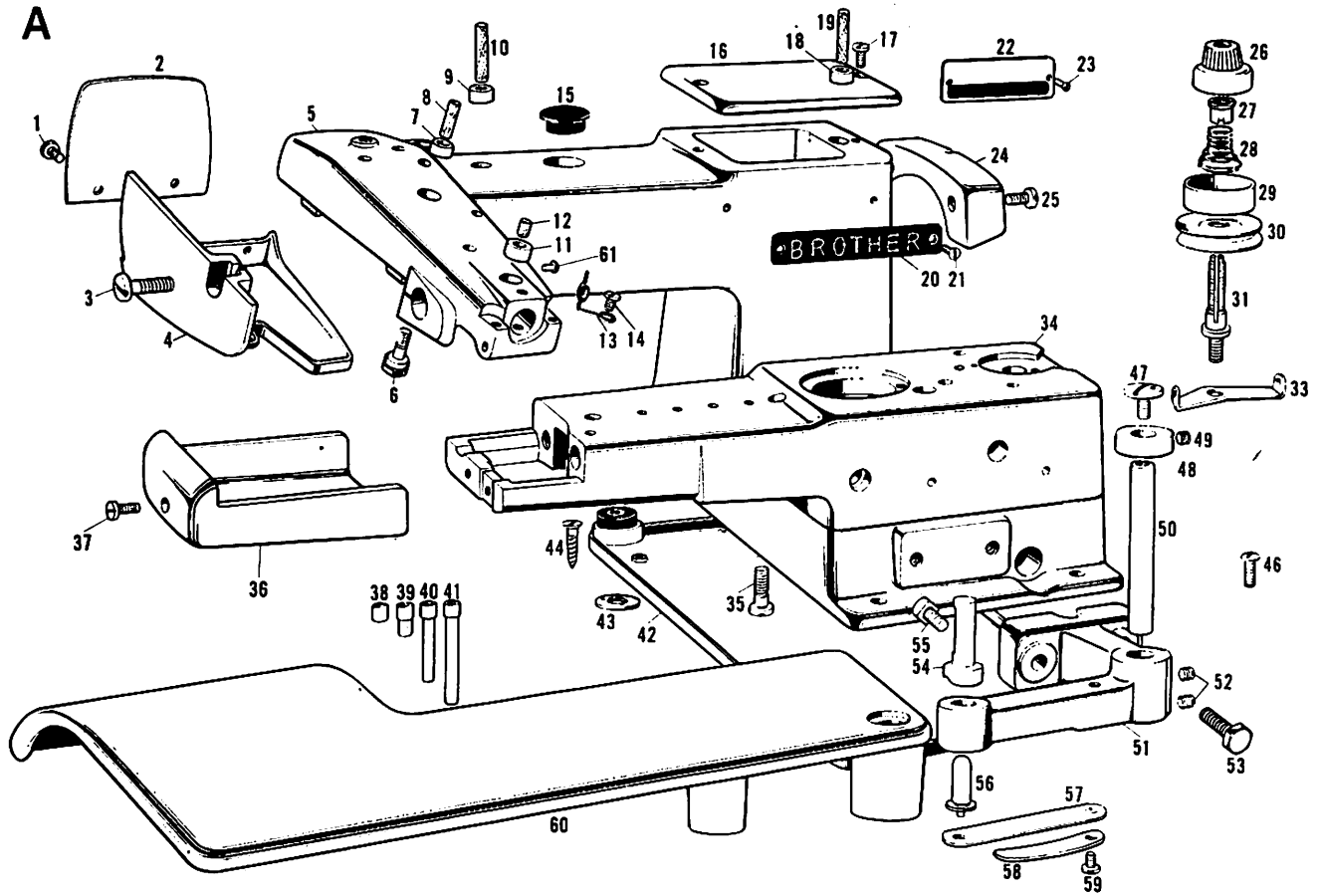
PARTS BOOK
FOR
BROTHER MODEL CM2-B931, B932



Please clarify Ref. No. and
Parts No. as well as parts name
When you place an order.

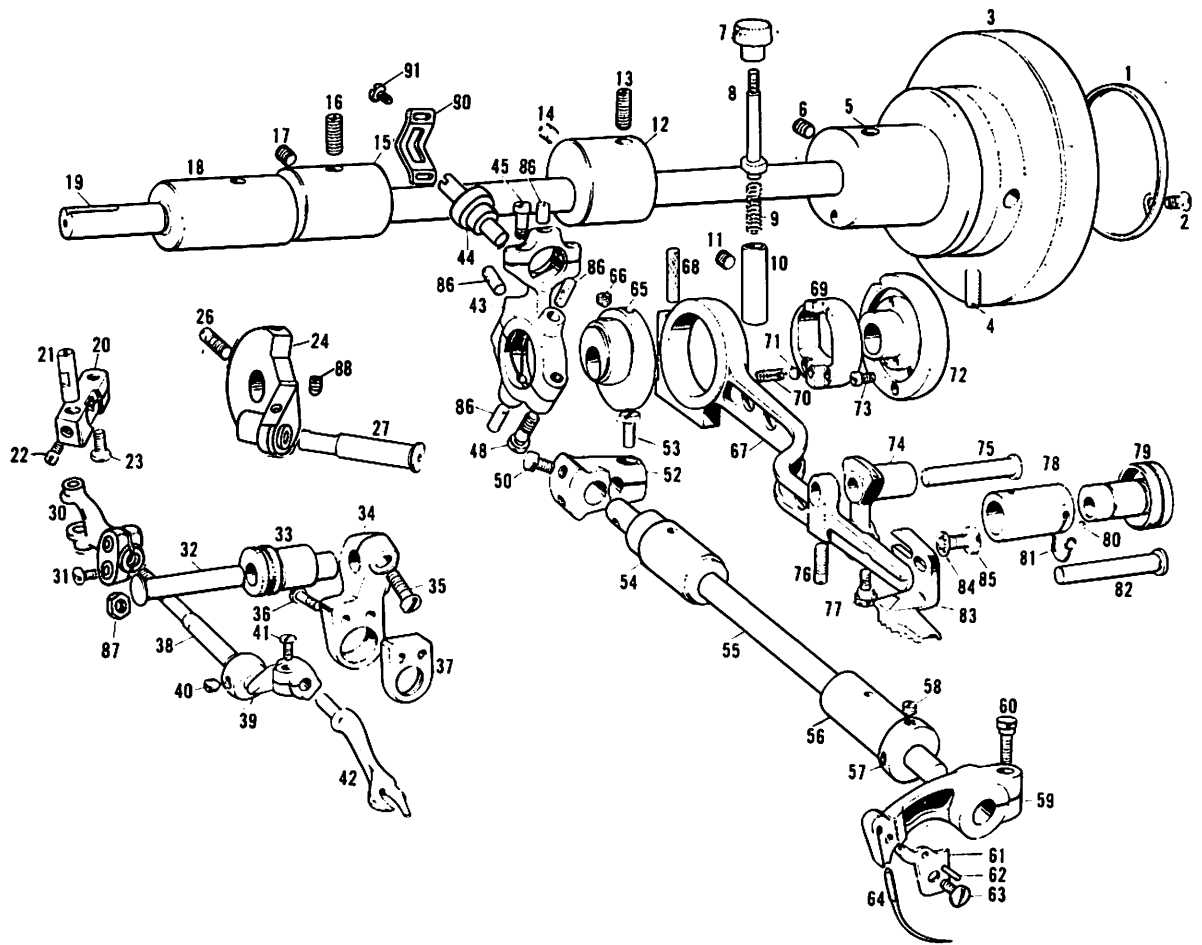
BROTHER INDUSTRIES, LTD.
NAGOYA, JAPAN.

A



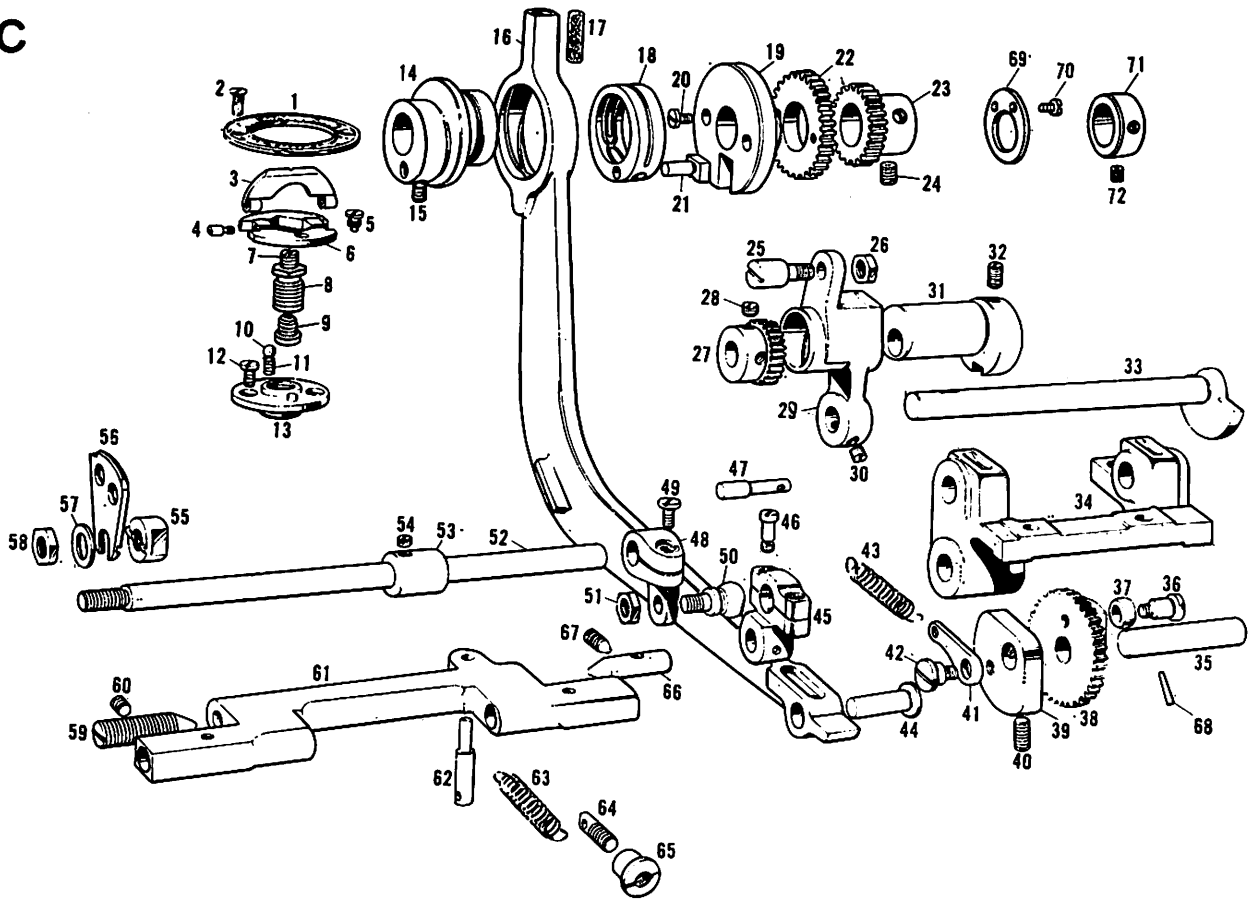
Ref. No.	Name of parts	Q'ty	Parts No.	Assembly No.	Ref. No.	Name of parts	Q'ty	Parts No.	Assembly No.
A-1	Set Screw for A-2	2 pcs.	100541-0-01		A-37	Set Screw for A-36	1 pce.	100522-0-02	
A-2	Arm Cover Plate	1 pce.	110039-0-01		A-38	Oil Pipe Small (1)	1 "	110050-0-00	
A-3	Set Screw for A-4	1 "	110040-0-01		A-39	Oil Pipe Small (3)	5 pcs.	110052-0-00	
A-4	Arm Cover	1 "	110038-0-00		A-40	Oil Pipe Small (5)	2 "	110054-0-00	
A-5	Arm	1 "	110001-0-01		A-41	Oil Pipe Small (7)	1 pce.	110056-0-00	
A-6	Set Screw for A-5	1 "	110016-0-01		A-42	Oil Pan	1 "	143897-0-01	
A-7	Oil Pipe	1 "	110011-0-01		A-43	Felt for Spool Pin	4 pcs.	100119-0-01	
A-8	Oil Felt L14 for A-7	1 "	142579-0-01		A-44	Set Screw for A-42	4 "	101118-0-01	
A-9	Middle Oil Pipe	1 "	110011-0-01		A-46	Set Screw for A-5	4 "	110049-0-01	
A-10	Oil Felt L32 for A-9	1 "	110105-0-01		A-47	Set Screw for A-50	1 pce.	110029-0-01	
A-11	Former Oil Pipe	1 "	110011-0-01		A-48	Set Collar for A-50	1 "	110027-0-01	
A-12	Oil Felt L7 for A-11	1 "	107155-0-01		A-49	Set Screw for A-48	2 pcs.	100058-0-03	
A-13	Thread Guide	1 "	110271-0-01		A-50	Table Shaft	1 pce.	110028-0-01	
A-14	Set Screw for A-13	1 "	110272-0-01		A-51	Table Supporter	1 "	110031-0-01	
A-15	Cap for Oil Hole of Arm	1 "	104449-0-01		A-52	Set Screw for A-51	2 pcs.	013780-8-14	
A-16	Top Cover	1 "	110007-0-01		A-53	Fastening Screw for A-51	2 "	110033-0-01	
A-17	Set Screw for A-16	2 pcs.	100368-0-02		A-54	Pin for A-51	1 pce.	110030-0-01	
A-18	Oil Pipe	1 pce.	110011-0-01		A-55	Square Bolt for A-54	1 "	100463-0-01	
A-19	Oil Pipe	1 "	110105-0-01		A-56	Knock Pin for A-51	1 "	110034-0-01	
A-20	Name Plate "BROTHER"	1 "	112528-0-01		A-57	Large Spring for A-51	1 "	110035-0-01	
A-21	Flat Head Screw for A-20	2 pcs.	100191-0-03		A-58	Small Spring for A-51	1 "	110036-0-01	
A-22	Model Plate	1 pce.	143252-0-01		A-59	Set Screw for A-58	1 "	107274-0-01	
A-23	Pin for A-22	2 pcs.	116231-0-01		A-60	Table	1 "	110026-0-01	
A-24	Belt Cover	1 pce.	110325-0-01		A-61	116231 Pin	1 "	116231-0-01	
A-25	Set Screw for A-24	2 pcs.	100068-0-02						
A-26	Tension Control Nut	1 pce.	110268-0-01						
A-27	Washer for A-26	1 "	144105-0-00						
A-28	Tension Spring	1 "	144110-0-01						
A-29	Tension Disc Washer	1 "	110265-0-01	110263-0-01					
A-30	Tension Disc	2 pcs.	145446-0-01						
A-31	Tension Stud	1 pce.	110264-0-01						
A-33	Tension Thread Guide	1 "	110266-0-01						
A-34	Bed	1 "	110020-0-01						
A-35	Set Screw for A-34 C34	7 pcs.	110022-0-01						
A-36	Bed Cover	1 pce.	110023-0-00						

B



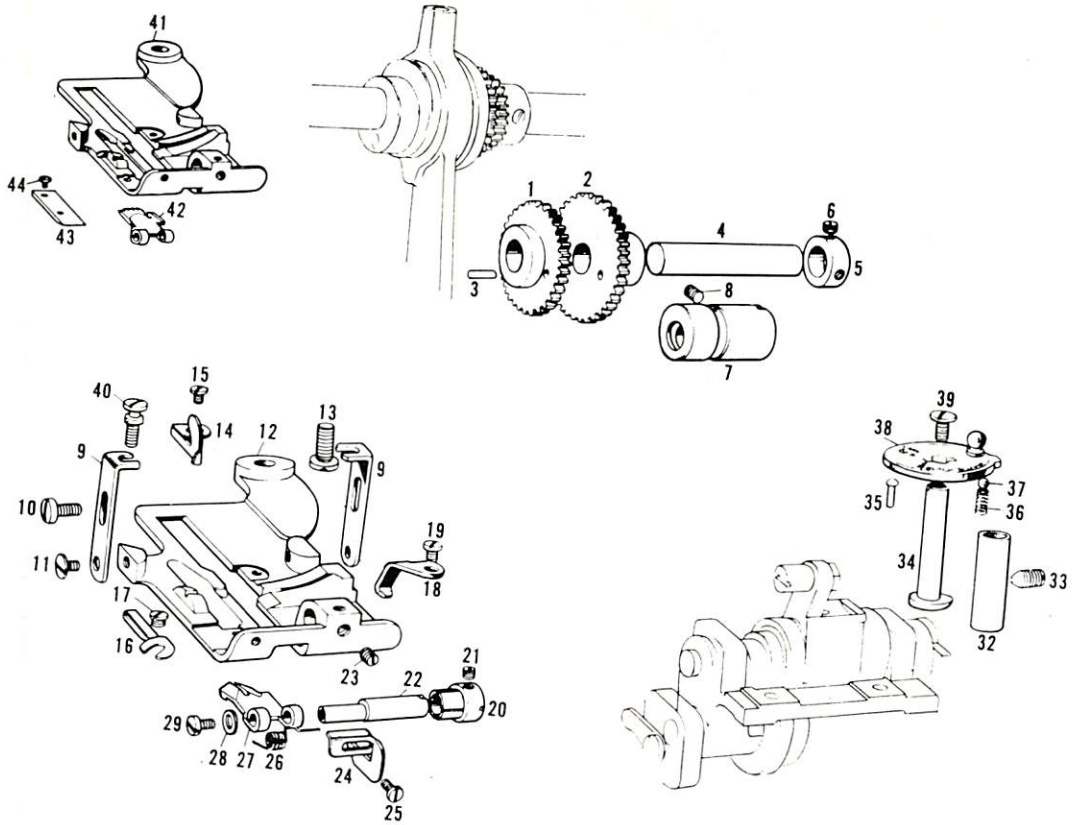
Ref. No.	Name of parts	Qty	Parts No.	Assembly No.	Ref. No.	Name of parts	Qty	Parts No.	Assembly No.
B-1	Stop Motion	1 pce.	110202-0-01	182113-0-01	B-90	Vibration stopper	1 pce.	145179-0-01	181370-0-01
B-2	Flat Head Screw for B-1	2 pcs.	105955-0-01		B-91	Screw	2 pcs.	145180-0-01	
B-3	Balance Wheel	1 pce.	144883-0-01		B-50	Fastening Screw for B-52	2 -	110087-0-01	
B-4	Set Screw for B-3	2 pcs.	100016-0-03		B-52	Crank for Driving Needle Shaft	1 pce.	110083-0-00	
B-5	Upper Shaft Bushing Right	1 pce.	110002-0-00		B-53	Fastening Screw for B-52	1 -	110085-0-01	
B-6	Set Screw for B-5, B-18	2 pcs.	110017-0-01		B-54	Needle Shaft Bearing Back	1 -	110008-0-00	
B-7	Feed Adjusting Button	1 pce.	110044-0-01		B-55	Needle Shaft	1 -	110089-0-01	
B-8	Feed Adjusting Button Shaft	1 -	110045-0-01		B-56	Needle Shaft Bearing Front	1 -	110009-0-00	
B-9	Spring for B-7	1 -	110046-0-00		B-57	Needle Shaft Set Collar	1 -	110090-0-01	
B-10	Bushing for B-7	1 -	110043-0-00		B-58	Set Screw for B-57	2 pcs.	100218-0-02	
B-11	Set Screw for B-10	1 -	110018-0-01		B-59	Needle Arm	1 pce.	182115-0-01	
B-12	Balance Right	1 -	110060-0-01		B-60	Fastening Screw for B-59	1 -	110092-0-01	
B-13	Set Screw for B-12	1 -	100016-0-03		B-61	Needle Presser	1 -	110093-0-01	
B-14	Set Screw for B-13	1 -	110013-0-03		B-62	Needle Presser Pin	1 -	110094-0-00	
B-15	Balance Left	1 -	100061-0-01		B-63	Fastening Screw for B-61	1 -	100257-0-07	
B-16	Set Screw for B-15	1 -	100016-0-03		B-64	Needle LW x6T ±14	1 -	147311-0-14	
B-17	Set Screw for B-15	1 -	100013-0-03		B-67	Feed Plate	1 -	145167-0-01	
B-18	Upper Shaft Bushing Left	1 -	110003-0-00		B-69	Regulating Wheel	1 -	145166-0-01	
B-19	Upper Shaft	1 -	110059-0-01		B-72	Regulator Adjusting Length Switch	1 -	145165-0-01	
B-20	Spreader crank joint	1 -	145187-0-01	B-68	Oil Felt	2 pcs.	110105-0-01		
B-21	Pin	1 -	145188-0-01	B-70	Ball Presser Spring	1 -	110065-0-00		
B-22	Screw	1 -	145184-0-01	B-71	Ball for B-69	1 -	071039-7-50		
B-23	Screw	1 -	145193-0-01	B-73	Set Screw for B-72	3 pcs.	145171-0-01		
B-24	Spreader crank	1 -	145181-0-01	B-74	Feed Link	1 pce.	110073-0-01		
B-26	Screw	2 pcs.	145186-0-01	B-75	Feed Link Pin	1 -	110074-0-01		
B-27	Spreader crank shaft	1 pce.	145185-0-01	B-76	Set Screw for B-67	1 -	110069-0-01		
B-30	Spreader York joint	1 -	145189-0-01	B-77	Fastening Screw for B-74	1 -	110076-0-01		
B-31	Screw	2 pcs.	145191-0-01	B-78	Feed Link Shaft Bearing	1 -	110999-0-00		
B-38	Spreader shaft	1 pce.	145190-0-00	B-79	Feed Adjusting Dial Assembly	1 -	110996-0-01		
B-41	Screw	1 -	145192-0-01	B-80	Ball for B-79	1 -	111001-0-01		
B-87	Nut	1 -	145235-0-01	B-81	Ball Presser Spring	1 -	111000-0-01		
B-88	Screw	1 -	145184-0-01	B-82	Feed Link Shaft	1 -	111002-0-01		
B-34	Spreader Connecting lever	1 -	145195-0-00	B-83	Feed Dog	1 -	110070-0-01		
B-35	Screw	1 -	145197-0-01	B-83	Feed Dog for Thin Material	1 -	116186-0-01		
B-36	Screw	2 pcs.	145192-0-01	B-84	ASS Washer with Notches	2 pcs.	110071-0-01		
B-37	Cover	1 pce.	145196-0-00	B-85	Fastening Screw for B-84	2 -	110072-0-01		
B-39	Ball joint	1 -	145198-0-01	B-86	Oil Felt for B-43	2 -	117548-0-01		
B-40	Screw	1 -	115199-0-01						
B-32	Spreader Connecting rod	1 -	110120-0-01						
B-33	Bushing	1 -	110119-0-01						
B-42	Spreader	1 -	140121-0-01						
B-43	Ball Connecting rod	1 -	143173-0-00						
B-44	Stud	1 -	145178-0-01						
B-45	Screw	2 pcs.	145175-0-01						
B-48	Screw	2 -	145174-0-01						
B-65	Needle Shaft round Cam	1 pce.	145176-0-01						
B-66	Screw	1 -	145177-0-01						

C



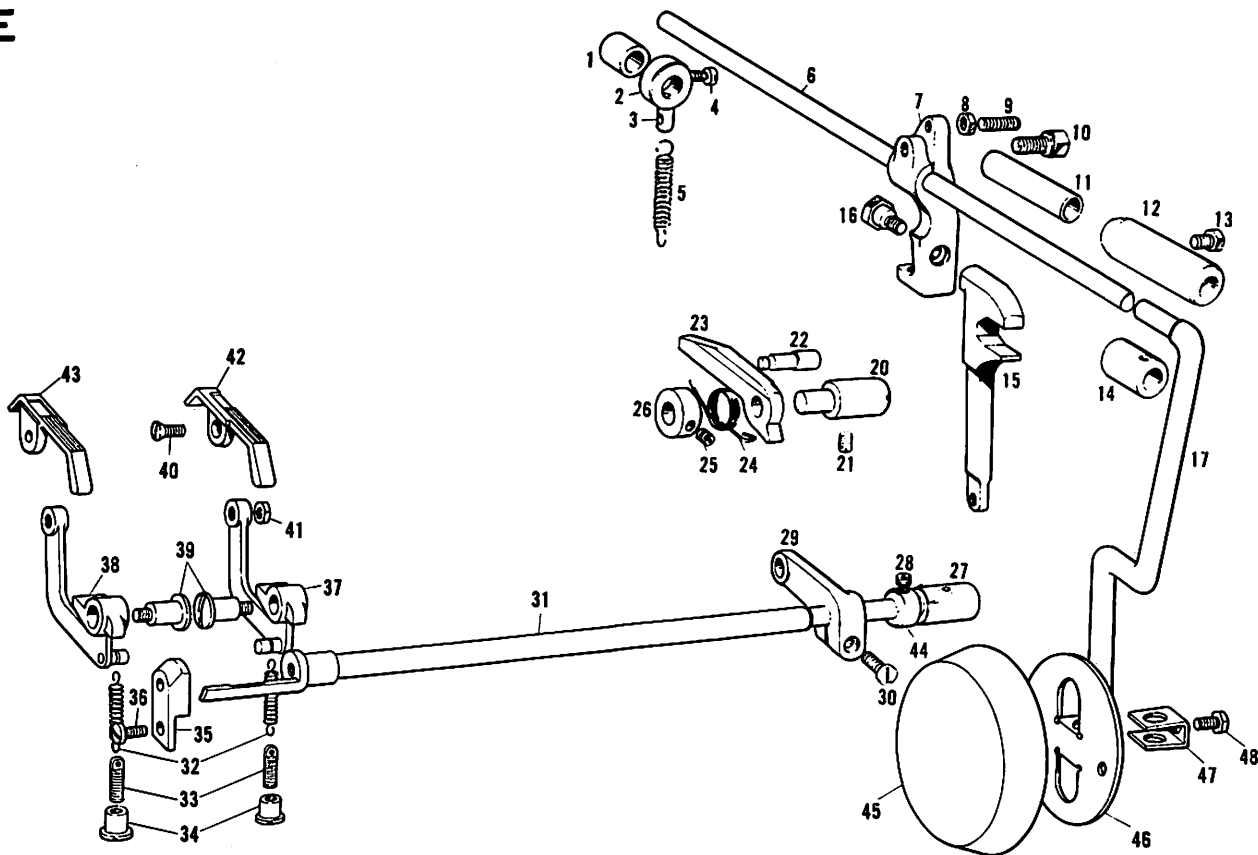
Ref. No.	Name of parts	Qty	Parts No.	Assembly No.	Ref. No.	Name of parts	Qty	Parts No.	Assembly No.
C-1	Scoop Adjusting Scale Plate	1 pce.	110184-0-01		C-43	Spring for C-35	1 pce.	110173-0-00	
C-2	Flat Head Screw for C-1	2 pcs.	110185-0-01		C-44	Pin for C-29	1 -	110162-0-01	
C-3	Scoop Adjusting Knob	1 -	110181-0-01		C-45	Scoop Adjuster Link Body	1 -		
C-4	Shaft for C-3	2 pcs.	110182-0-01	180167-0-01	C-46	Fastening Screw for Scoop Adjuster Link	2 pcs.	110136-0-01	110134-0-01
C-6	Body for C-3	1 -	110180-0-01		C-50	Scoop Adjuster Crank Joint	1 pce.		
C-5	Scoop Adjusting stopper	1 -	110183-0-01		C-47	Hook for C-35	2 pcs.	110006-0-00	
C-7	Scoop Adjusting Set Screw	1 -	110178-0-01		C-48	Scoop Adjuster Crank	1 pce.	110137-0-01	
C-8	Scoop Adjusting Screw Bush	1 -	110177-0-01		C-49	Fastening Screw for C-48	1 -	105328-0-03	
C-9	Scoop Adjusting Screw	1 -	110179-0-01		C-52	Scoop Adjusting Cam Shaft	1 -	110147-0-01	
C-10	Ball for C-6	1 -	071039-7-50		C-53	Set Collar for C-52	1 -	110152-0-01	
C-11	Skip Selecting Spring	1 -	110188-0-00		C-54	Set Screw for C-53	1 -	102716-0-03	182118-0-01
C-12	Fastening Screw for C-13	2 pcs.	100080-0-01		C-55	Installing Plate for Scoop Adjusting Cam	1 -	110148-0-01	
C-13	Base for Scoop Adjusting Knob	1 pce.	110175-0-01		C-61	Scoop Adjuster	1 -	110141-0-00	
C-14	Regulating Cam for Crank Rod	1 -		182384-0-01	C-62	Scoop Adjuster Hook Lange	1 -	110142-0-01	
C-15	Set Screw for C-14	2 pcs.	107086-0-01		C-51	Nut for C-50	1 -	110140-0-01	
C-16	Crank	1 pce.	145200-0-01		C-56	Scoop Adjusting Cam	1 -	110151-0-01	
C-17	Oil Pipe	1 -	112735-0-00		C-56	Scoop Adjusting Cam for Thin Material	1 -	116481-0-01	
C-18	Regulator for Crank Rod	1 -	145204-0-01		C-57	Washer for C-56	1 -	110149-0-00	
C-19	Turning Board for Regulator	1 -	110129-0-00		C-58	Nut for C-52	1 -	104689-0-01	
C-20	Fastening Screw C-19	2 pcs.	110130-0-01		C-59	Center for Scoop Adjuster	1 -	100074-0-02	
C-21	Pin for C-19	1 pce.	110126-0-01		C-60	Set Screw for C-59	1 -	107086-0-01	
C-22	Gear Wheel for C-19	1 -	110131-0-00		C-63	Scoop Adjuster Spring	1 -	110144-0-01	
C-23	Gear Wheel for C-14	1 -	110132-0-00		C-64	Scoop Adjuster Hook Small	1 -	110146-0-01	
C-24	Set Screw for C-23	3 pcs.	110124-0-01		C-65	Adjusting Screw for C-61	1 -	110145-0-01	
C-25	Link Pin for C-29	1 pce.	110160-0-01		C-66	Scoop Adjuster Center	1 -	110155-0-01	
C-26	Nut for C-25	1 -	110161-0-02		C-67	Set Screw for C-66	1 -	110021-0-01	
C-27	Scoop Lowering Shaft Gear Wheel	1 -	110165-0-00		C-68	Pin for Gear Wheel	1 -	100095-0-00	
C-28	Set Screw for C-27	2 pcs.	110124-0-01		C-69	Cap Plate	1 -	110134-0-01	
C-29	Scooping Crank Rod	1 pce.	110159-0-00		C-70	Fastening Screw for C-69	2 pcs.	100080-0-03	
C-30	Set Screw for C-29	2 pcs.	110018-0-01		C-71	Collar	1 pce.	117671-0-02	
C-31	Scoop Lowering Cam	1 pce.	110163-0-00	181087-0-01	C-72	Set Screw for C-71	2 pcs.	100251-0-01	
C-32	Set Screw for C-31	2 pcs.	107086-0-01						
C-33	Scoop Lowering Shaft	1 pce.	110158-0-01						
C-34	Scoop Lowering Shaft Receiver	1 -	146353-0-00						
C-35	Scoop Lowering Shaft Middle	1 -	110169-0-00						
C-36	Stud for C-37	1 -	110168-0-01						
C-37	Gear Wheel Roller for C-35	1 -	110167-0-01						
C-38	Gear Wheel for C-35	1 -	110166-0-00						
C-39	Collar for C-35	1 -	110170-0-00						
C-40	Set Screw for C-39	2 pcs.	107343-0-01						
C-41	Hook for C-39	1 pce.	110172-0-00						
C-42	Stud Screw for C-41	1 -	110171-0-01						

D



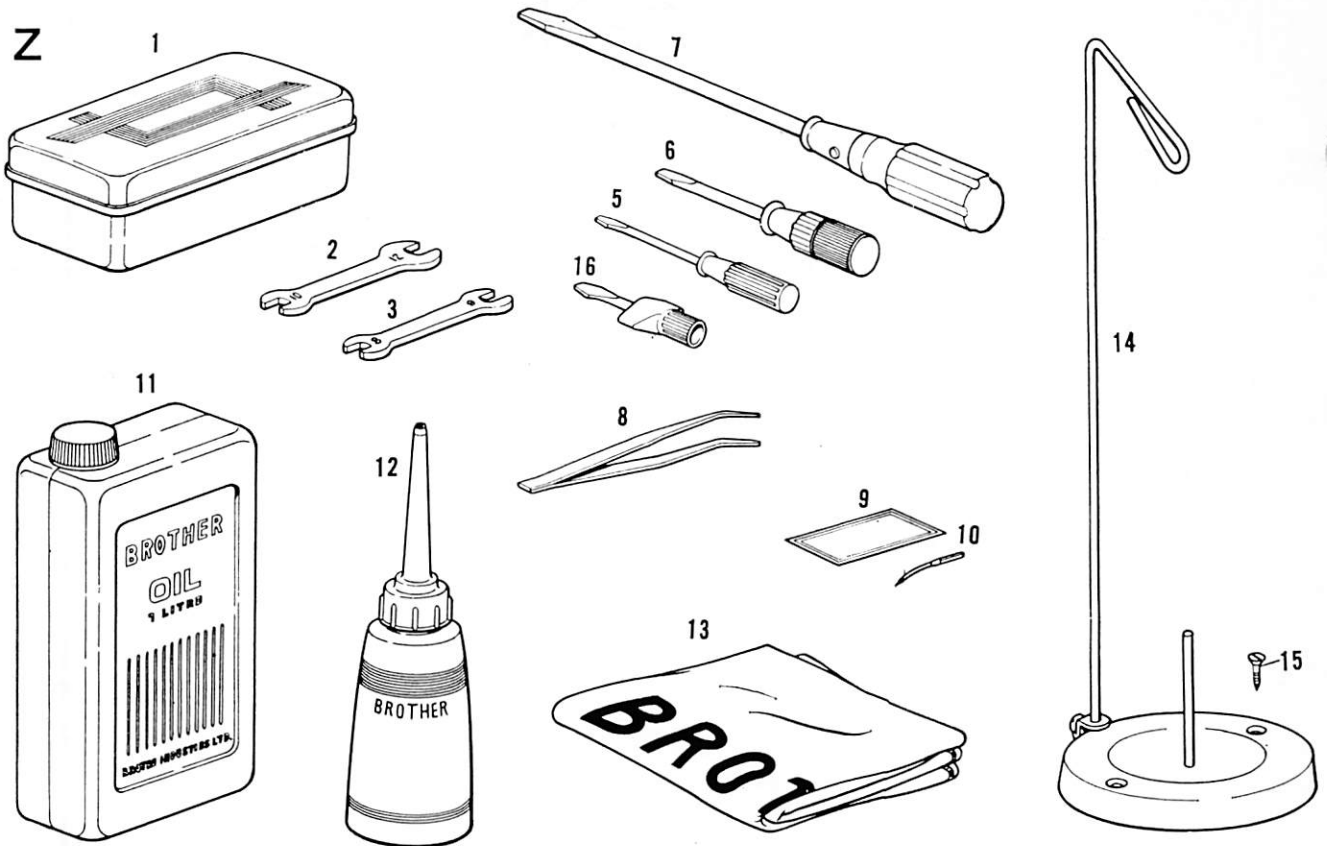
Ref. No.	Name of parts	Qty	Parts No.	Assembly No.	Ref. No.	Name of parts	Qty	Parts No.	Assembly No.
D-1	Gear Small	1 pce.	110194-0-00	110192-0-01	D-27	Scoop Adjusting Cam Presser Plate for Thin Material	1 pce.	115827-0-01	
D-2	Gear Large	1 "	110193-0-00		D-28	Scoop Adjusting Presser Stud Collar	1 "	110067-0-01	
D-3	Knock Pin for Gear	2 pcs.	110196-0-00		D-29	Fastening Screw for D-27	1 "	100393-0-05	
D-4	Gear Shaft	1 pce.	110195-0-01		D-32	Metal for D-34	1 "	110024-0-01	
D-5	Set Collar for D-4	1 "	110197-0-01		D-33	Set Screw for D-32	1 "	110021-0-01	
D-6	Set Screw for D-5	2 pcs.	102716-0-01		D-34	Skip Selecting Shaft	1 "	110190-0-01	
D-7	Gear Metal	1 pce.	110005-0-00		D-35	Pin for Skip Selector	1 "	116231-0-01	
D-8	Set Screw for D-7	1 "	110017-0-01		D-36	Spring for Skip Selector	1 "	110188-0-00	
D-9	Needle Plate Supporter	2 pcs.	110203-0-01		D-37	Ball for D-38	1 "	071039-7-50	
D-10	Fastening Screw for D-9	2 "	100368-0-01		D-38	Skip Selector Assembly	1 "	110174-0-01	
D-11	Fastening Screw for D-9	2 "	120048-0-02		D-39	Fastening Screw for D-38	1 "	110191-0-01	
D-12	Needle Plate Assembly	1 pce.	110199-0-01		D-40	Adjusting Screw for D-12	2 pcs.	140714-0-01	
D-12	Needle Plate Assembly for Thin Material	1 "	115819-0-01		D-41	Needle plate Assembly	1 pce.		110416-0-01 for B932 only
D-13	Fastening Screw for D-12	1 "	110201-0-01		D-42	Scoop Adjusting Cam Presser Plate	1 "	110418-0-01	
D-14	Thread Handler	1 "	110220-0-01		D-43	Cloth guide	1 "	110419-0-01	
D-15	Fastening Screw for D-14	1 "	140530-0-01		D-44	Fastening Screw for D-43	2 pcs.	105213-0-01	
D-16	Needle Receiver	1 "	110214-0-01						
D-17	Fastening Screw for D-16	1 "	110215-0-01						
D-18	Presser for D-26	1 "	110218-0-01						
D-19	Fastening Screw for D-18	1 "	400163-0-01						
D-20	Bushing for D-22	1 "	110206-0-01						
D-21	Set Screw for D-20	1 "	107055-0-01						
D-22	Scoop Adjusting Cam Presser Stud	1 "	110208-0-01						
D-23	Set Screw for D-12	1 "	102716-0-03						
D-24	Needle Plate Ruler	1 "	143932-0-01						
D-25	Fastening Screw for D-24	1 "	400163-0-01						
D-26	Scoop Adjusting Cam Presser Spring	1 "	110209-0-01						
D-27	Scoop Adjusting Cam Presser Plate	1 "	143935-0-01						

E



Ref. No.	Name of parts	Q'ty	Parts No.	Assembly No.	Ref. No.	Name of parts	Q'ty	Parts No.	Assembly No.
E-1	Collar Small for Knee Lifter Plate Shaft	1 pce.	110224-0-01		E-34	Nut for E33	2 pcs.	110252-0-01	
E-2	Set Collar for Knee Lifter Plate Shaft	1 "	110225-0-01		E-35	Supporter for Presser Foot	1 pce.	145234-0-01	
E-3	Hook for E2	1 "	110226-0-01		E-36	Fastening Screw for E-35	1 "	100522-0-02	
E-4	Fastening Screw for E2	1 "	100541-0-01		E-37	Presser Foot Arm Right Assembly	1 "	145225-0-01	
E-5	Spring for E3	1 "	110173-0-01		E-38	Presser Foot Arm Left Assembly	1 "	145228-0-01	
E-6	Knee Lifter Plate Shaft	1 "	110223-0-01		E-39	Stud Screw for E38	2 pcs.	145229-0-01	
E-7	Lever for E6	1 "	110228-0-00		E-40	Flat Head Screw for E-42, E-43	2 "	145232-0-01	
E-8	Nut for E6	1 "	102853-0-01		E-41	Nut for E-40	2 "	145233-0-01	
E-9	Set Screw for E7	1 "	110230-0-01		E-42	Presser Foot Right	1 pce.	145230-0-01	
E-10	Fastening Screw for E7	1 "	017781-4-12		E-43	Presser Foot Left	1 "	145231-0-01	
E-11	Collar Large for E6	1 "	110234-0-00		E-44	Set Collar for E31	1 "	110243-0-01	
E-12	Joint for E6	1 "	110235-0-01		E-45	Knee Lifter Plate Cover	1 "	140503-0-01	
E-13	Fastening Screw for E12	4 pcs.	110236-0-01		E-46	Knee Lifter Plate	1 "	114966-0-01	180929-0-01
E-14	Metal for E6	1 pce.	110004-0-00		E-47	Knee Lifter Plate Stopper	1 "	114967-0-01	
E-15	Presser Lower Link	1 "	110232-0-01		E-48	Set Screw for E-47	1 "	110087-0-01	
E-16	Fastening Screw for E7	2 pcs.	110233-0-01						
E-17	Knee Lifter Bar	1 pce.	110237-0-01						
E-20	Knee Lifter Plate Lever Stopper Stud	1 "	110259-0-01						
E-21	Set Screw for E20	1 "	110019-0-01						
E-22	Skip Cam Joint Spring Supporter	1 "	110015-0-00		B-83	Feed Dog		116186-0-01	
E-23	Knee Lifter Plate Lever Stopper	1 "	110260-0-01		C-56	Scoop Adjusting Cam		116481-0-01	
E-24	Spring for E-23	1 "	110261-0-01		D-12	Needle Plate Assembly		115819-0-01	
E-25	Set Screw for E-26	1 "	100289-0-01		D-27	Scoop Adjusting Cam Presser Plate		115827-0-01	
E-26	Collar for E23	1 "	110262-0-00						
E-27	Metal for Presser Foot Stud	1 "	110258-0-00						
E-28	Set Screw for E-44	1 "	100218-0-02						
E-29	Presser Lowering Rod	1 "	145223-0-00	145241-0-01					
E-30	Fastening Screw for E29	1 "	145224-0-01						
E-31	Presser Foot Bar	1 "	145222-0-01						
E-32	Spring for Presser Foot Arm	2 pcs.	110250-0-01						
E-33	Hook for Presser Foot Arm	2 "	110251-0-01						

PARTS FOR THIN MATERIALS (B931-1A)



Ref. No.	Name of parts	Q'ty	Parts No.	Assembly No.	Ref. No.	Name of parts	Q'ty	Parts No.	Assembly No.
Z-1	Accessory box	1 pce.	110436-0-01		Z-15	Screw	2 pcs.	100447-0-00	
•Z-2	Spanner 10×12	1 "	107780-0-01		Z-16	Screw driver 4.5×45	1 pce.	110878-0-01	
•Z-3	Spanner 8×9	1 "	100887-0-01						
•Z-5	Screw driver 2.6×70	1 "	105344-0-01						
•Z-6	Screw driver 5.5×75	1 "	102629-0-04						
Z-7	Screw driver 6.4×204	1 "	100472-0-01						
•Z-8	Tweezer	1 "	117466-0-00						
•Z-9	Needle bag	1 "	108962-0-01						
•Z-10	Needle LW×6T #14	5 pcs.	147311-0-14						
Z-11	Oil	1 pce.	145277-0-03						
Z-12	Oiler	1 "	114483-0-01						
Z-13	Head Cover	1 "	144227-0-01						
Z-14	Cotton Stand	1 "	109854-0-01						

Remarks

1. The parts with mark are in accessory box.
2. The following parts are enclosed in the accessory box for our packing convenience.
Ref. No. •A-44, •A-46, •A-53

PARTS LIST for CM2-B932-1

This list shows the different parts from Model CM2-B931-1 other parts are same as CM2-B931-1

Ref. No.	Name of parts	Q'ty	Parts No.	Assembly No.	Ref. No.	Name of parts	Q'ty	Parts No.	Assembly No.
A-22	Model plate	1 pce.	143253-0-01		D-43	Cloth guide	1 pce.	110419-0-01	
A-34	Bed	1 "	110410-0-01		D-44	Screw	2 pcs.	105213-0-01	
A-36	Bed Cover	1 "	110415-0-01		E-31	Presser Foot Bar	1 pce.	110420-0-01	
A-37	Screw	2 pcs.	100541-0-01		E-37.38	Presser Foot Arm	1 "	110421-0-01	
B-5	Upper shaft bushing right	1 pce.	110210-0-00		E-39	Stud Screw	1 "	110249-0-01	
C-14	Regulating Cam for Crank Rod	1 "		181083-0-01	E-40	Screw	1 "	110424-0-01	
C-15	Screw	2 pcs.	107086-0-01		E-42.43	Presser Foot	1 "	110422-0-01	
C-16	Crank	1 pce.	110411-0-01		Z-16	Screw Driver 4.5×45	1 "	110878-0-01	
C-55	Installing Plate (Thin Materials)	1 "	141124-0-01						
C-56	Scoop Adjusting Cam	1 "	110425-0-01						
C-56	Scoop Adjusting Cam (Thin Materials)	1 "	141123-0-01						
C-69	Cap Plate	1 "	110413-0-01						
C-70	Screw	2 pcs.	100080-0-03						
C-71	Collar	1 pce.	117671-0-02						
C-72	Screw	2 pcs.	100251-0-01						
D-32	Metal	1 pce.	110431-0-01						
D-41~44	Needle Plate Assembly	1 "	110416-0-01						
D-42	Scoop adjusting Cam Presser Plate	1 "	110418-0-01						

