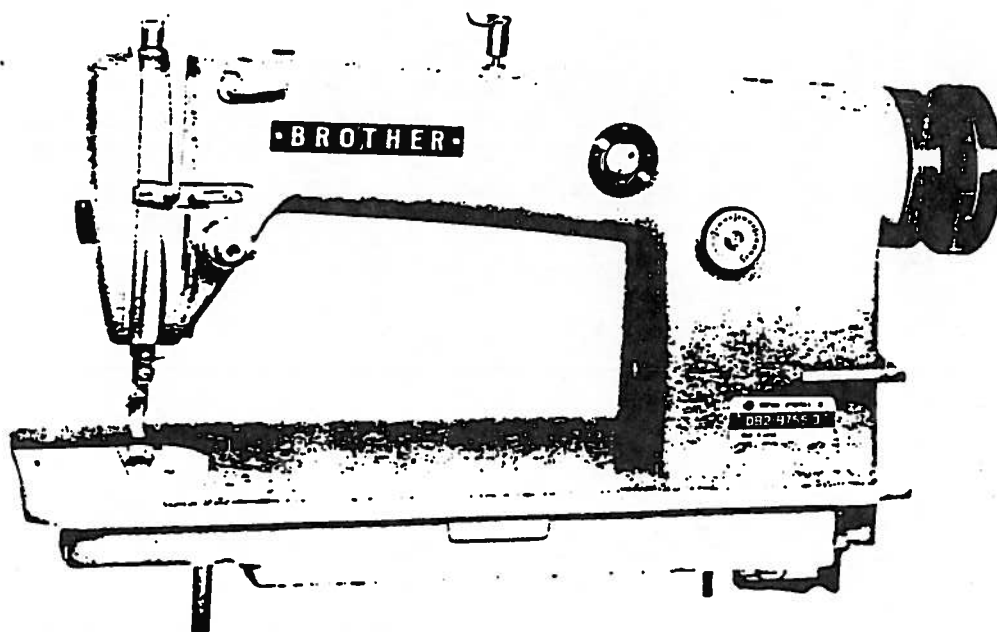


PARTS BOOK

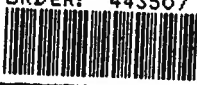
FOR

BROTHER DB2-B755



High Speed Single Needle Lockstitch Machine

Weltung Foot B155

PICK	LOCATION 03WS16-403	QUANTITY
ORDER: 443507	<i>AS</i>	1
		EA
		0 CASES
		0 EA
PART: 195755202		BATCH: 2

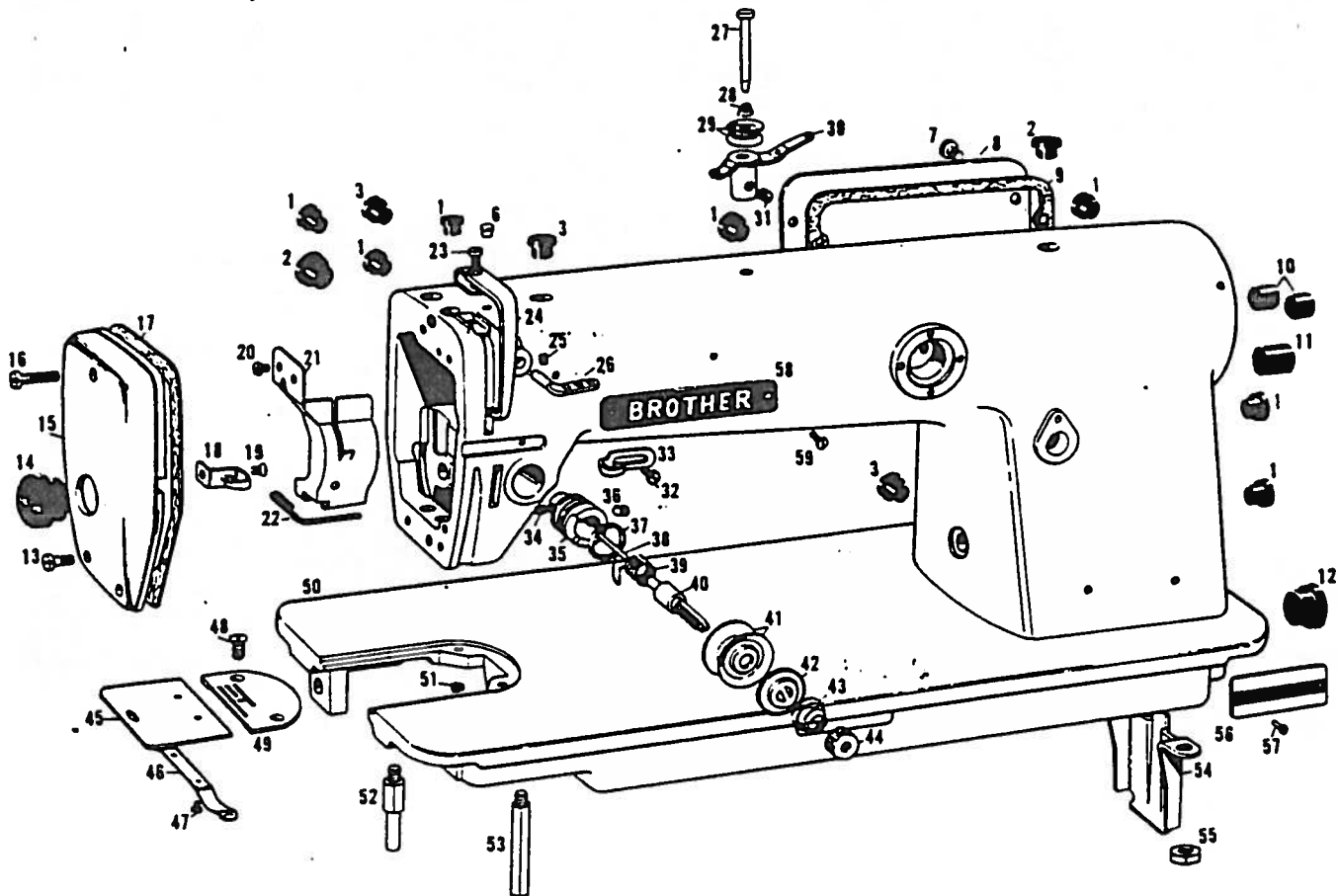
How to use the parts book

1. When the column for the parts number or the parts assembly number is , please refer to the different parts list on the page 8., 9.
2. When the column for the parts number is (with a diagonal line), the parts cannot be supplied. But when the parts number is shown in the column, please order the parts by the parts assembly number so that the parts can be arranged in the form assembled parts.
3. This book is edited basing on the data as of September, 1977.
4. The parts in this book may be changed without any advance notice.

CONTENTS

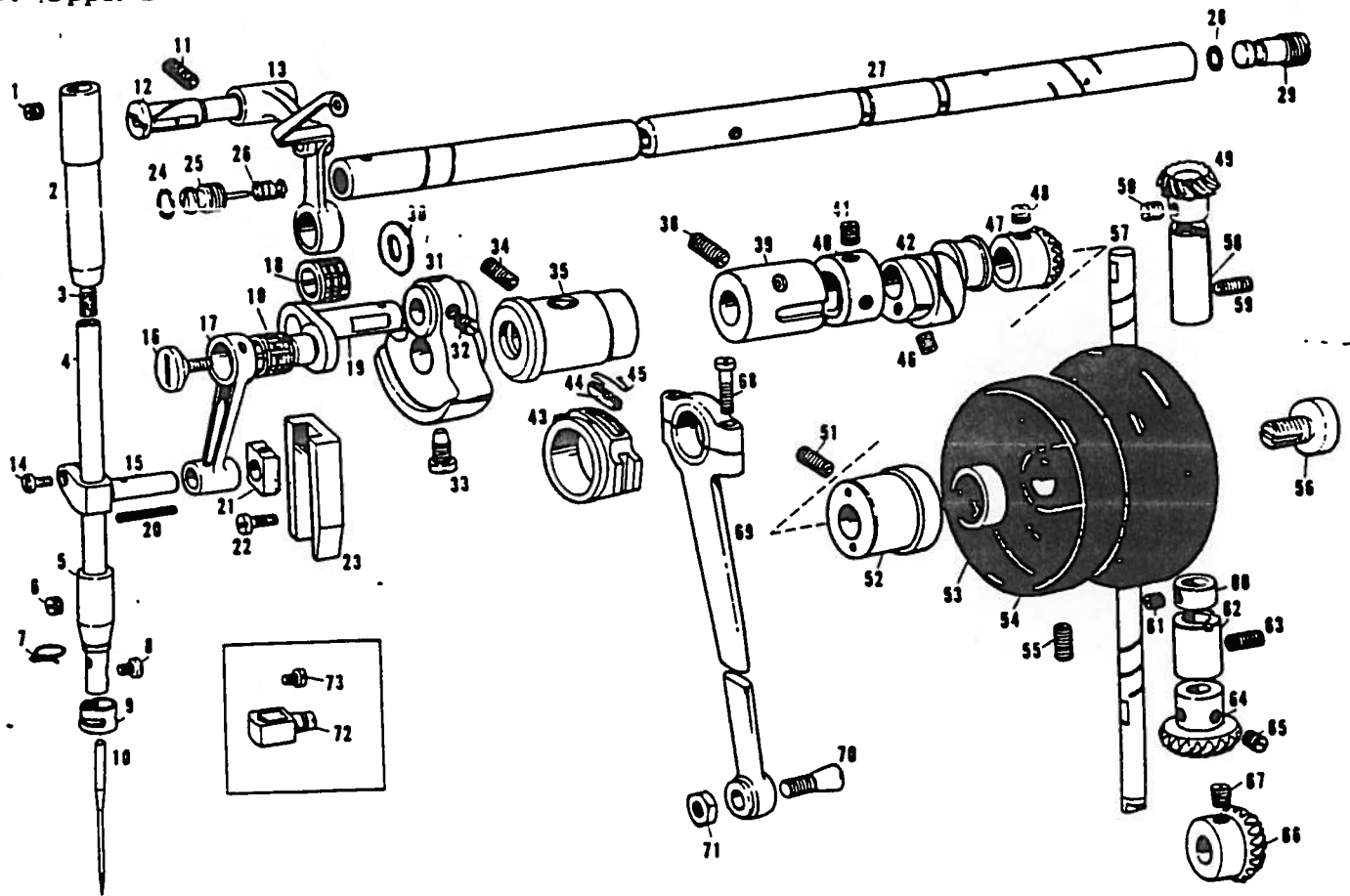
A. Machine Body	1
B. Upper Shaft Needle Bar and Thread Takeup Lever Mechanism	2
C. Feed Mechanism and Knee Lifter Mechanism	3
D. Rotary Hook Mechanism	4
E. Presser Foot	5
F. Lubrication	6
Z. Accessary	7
DIFFERENT PARTS LIST	8, 9
INDEX	10, 11

A. Machine Body



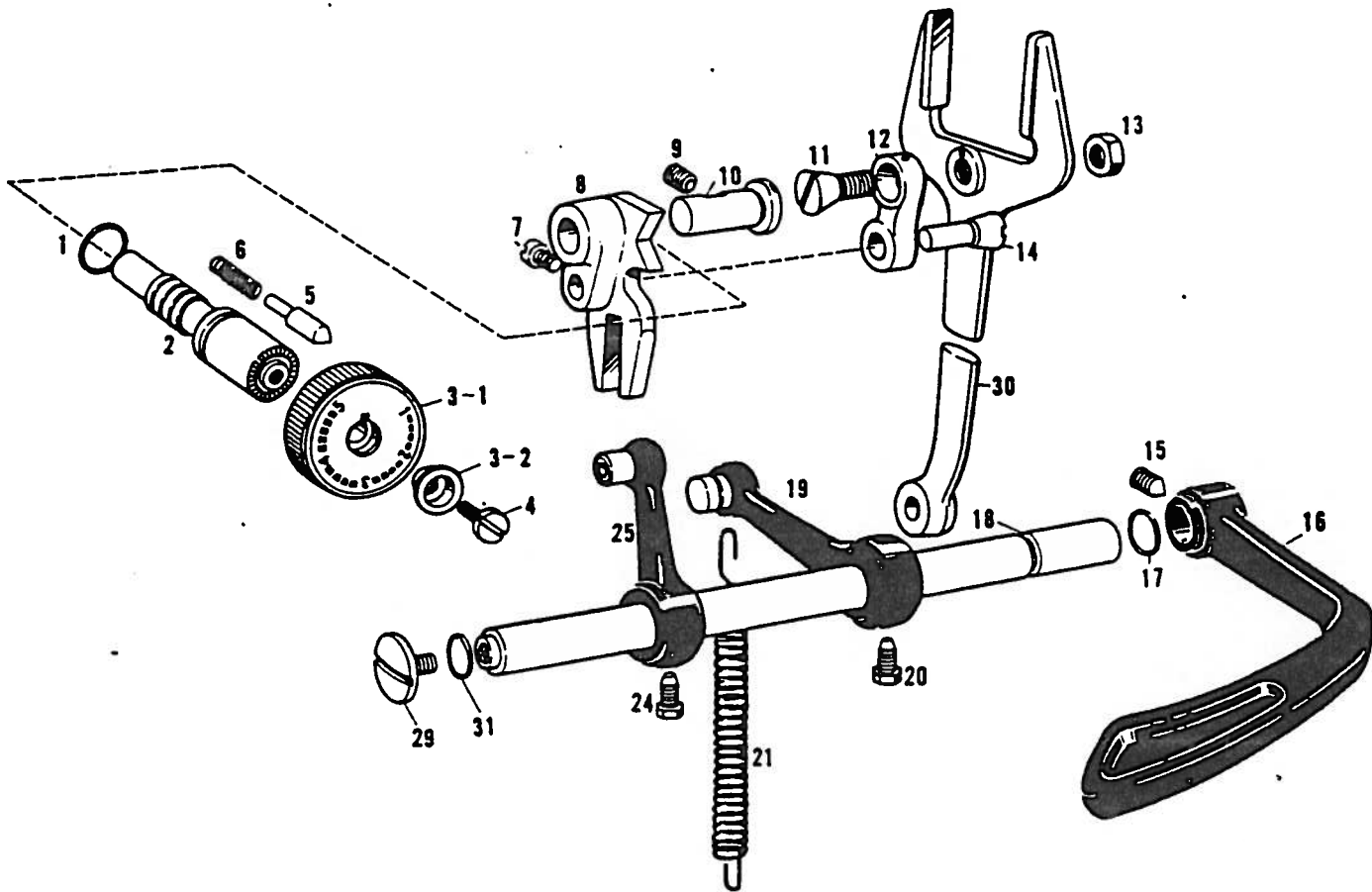
Ref. No.	Name of Parts	Q'ty	Parts No.	Assembly No.	Ref. No.	Name of Parts	Q'ty	Parts No.	Assembly No.
A-1	Vinyl Cap	7	104450-0-01		A-32	Screw	1	009670-6-14	
A-2	Oil Cap	2	104449-0-01		A-33	Arm Thread Guide	1	113316-0-01	
A-3	Oil Cap	3	104821-0-01		A-34	Screw	1	100402-0-04	
A-6	Oil Cap	1	111865-0-01		A-35	Upper Tension Regulator Bracket	1	144741-0-01	
A-7	Screw	4	009670-8-12		A-36	Screw	1	103950-0-02	
A-8	Rear Cover	1	111456-0-01		A-37	Packing	1	114294-0-01	
A-9	Packing	1	111457-0-01		A-38	Tension Release Pin	1	100400-0-00	
A-10	Oil Cap	2	104832-0-01		A-39	Thread Take-up Spring	1	100399-0-01	
A-11	Oil Cap	1	104451-0-01		A-40	Tension Stud	1	100398-0-01	
A-12	Oil Cap	1	108520-0-01		A-41	Tension Disc	2	145446-0-01	
A-13	Screw	2	009671-0-13		A-42	Tension Disc Washer	1	100134-0-01	
A-14	Oil Cap	1	112782-0-01		A-43	Tension Spring	1	104525-0-01	
A-16	Screw	1	009671-8-13		A-44	Nut	1	100136-0-01	
A-15	Face Plate	1			A-45	Slide Plate	1		Slide Plate Assembly 180018-0-01
A-17	Packing	1	109195-0-01	Face Plate 181357-0-01	A-46	Slide Plate Spring	1	114561-0-01	
A-18	Face Plate Thread Guide	1	111476-0-01		A-47	Screw	2	122771-0-01	
A-19	Screw	1	108960-0-02		A-48	Screw	2	100032-0-03	
A-20	Screw	2	009670-5-12		A-49	Needle Plate	1		
A-21	Oil Stopper	1		Oil Stopper Assembly 181472-0-01	A-50	Arm Bed	1		
A-22	Wick	1	109405-0-01		A-51	Oil Cap	1	104833-0-01	
A-23	Screw	1	009680-7-13		A-52	Bed Leg B	1	104830-0-01	
A-24	Thread Take-up Cover	1	140885-0-01		A-53	Bed Leg A	1	104829-0-01	
A-25	Screw	1	013680-6-12		A-54	Pump Cover	1	145454-0-01	
A-26	Thread Retainer	1	114931-0-01		A-55	Nut	2	100090-0-04	
A-27	Pre Tension Stud	1		Pre-Tension Assembly 144502-0-01	A-56	Model Plate	1		
A-28	Spring	1			A-57	Model Plate Pin	2		
A-29	Thread Guide Disc	2			A-58	Name Plate "BROTHER"	1		
A-30	Pre Tension	1			A-59	Screw	2		
A-31	Screw	1	102716-0-03						

B. Upper Shaft Needle Bar and Thread Takeup Lever Mechanism



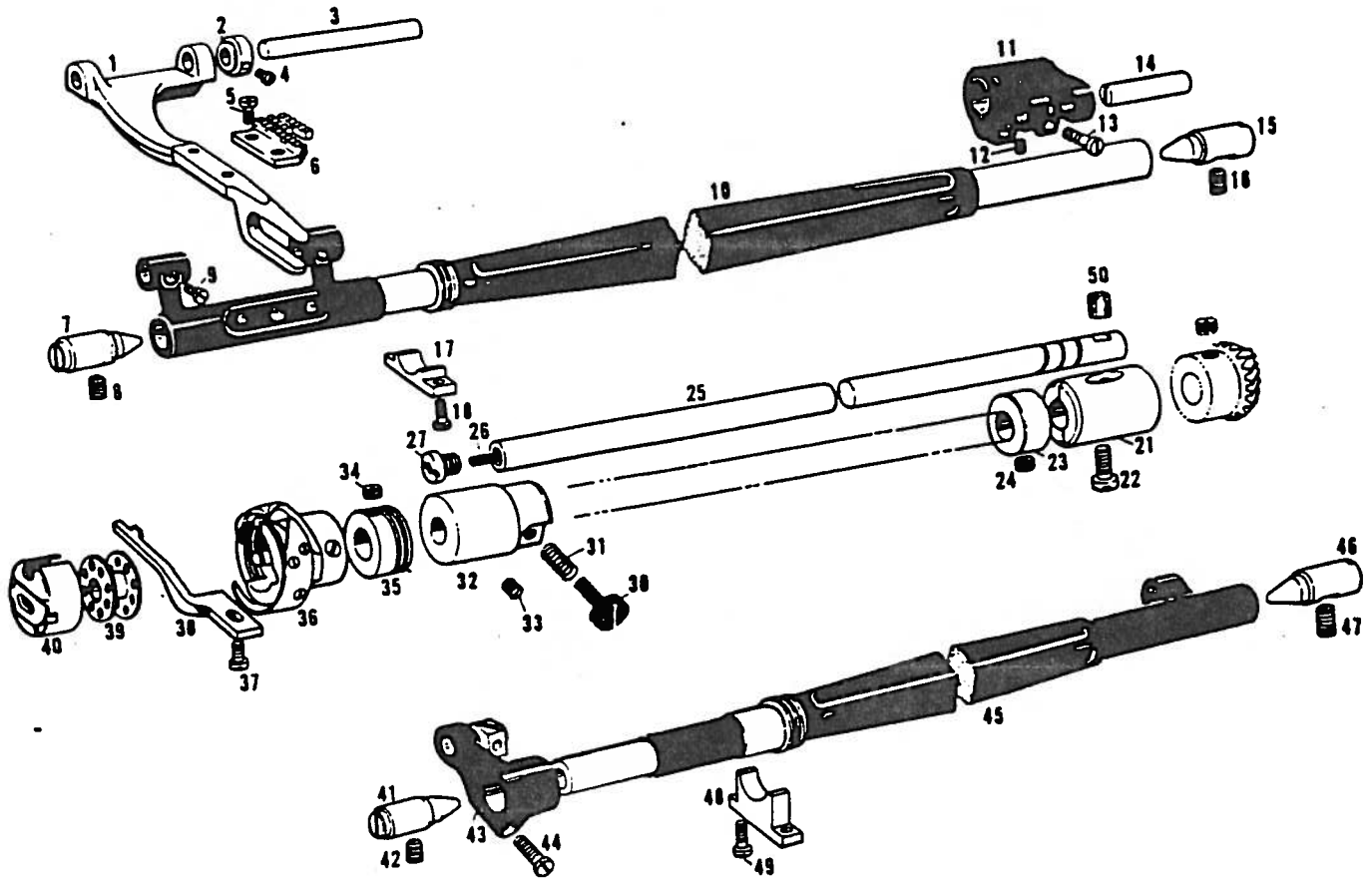
Ref. No.	Name of Parts	Qty	Parts No.	Assembly No.	Ref. No.	Name of Parts	Qty	Parts No.	Assembly No.
B-1	Screw	1	100260-0-01		B-38	Screw	1	013761-4-10	
B-2	Needle Bar Bushing Upper	1			B-39	Upper Shaft Bushing Intermediate	1	140726-0-00	
B-3	Needle Bar Cork	1			B-40	Collar	1		Collar 181994-0-01
B-4	Needle Bar	1			B-41	Set Screw	2	013760-8-10	
B-5	Needle Bar Bushing Lower	1			B-42	Feed Cam	1		
B-6	Screw	1	100260-0-01		B-43	Sleeve	1		
B-7	Thread Guide Under	1	100573-0-01		B-44	Felt	1	106442-0-01	
B-8	Screw	1			B-45	Felt Wire	1	106440-0-00	
B-9	Needle Bar Thread Guide	1			B-46	Set Screw	2	013760-8-10	
B-10	Needle	1			B-47	Upper Shaft Gear	1		
B-11	Screw	1	013761-4-10		B-48	Screw	2	013770-7-10	Upper Shaft Gear Assembly 180022-0-01
B-12	Stud	1			B-49	Vertical Shaft Gear	1		
B-13	Thread Take-up Lever	1			B-50	Screw	2	013770-7-10	
B-14	Set Screw	1	140004-0-01		B-51	Screw	1	013760-6-10	
B-15	Needle Bar Clamp	1			B-52	Upper Shaft Bushing R	1	146331-0-01	
B-16	Screw	1	145465-0-01		B-53	Oil Seal	1	101487-0-00	
B-17	Needle Bar Connector	1			B-54	Pulley	1	115244-0-01	
B-18	Needle Roller Bearing	2			B-55	Screw	2	013761-4-10	
B-19	Needle Bar Crank	1			B-56	Screw	1	104478-0-01	
B-20	Wick	1	108809-0-01		B-57	Vertical Shaft	1	144868-0-01	
B-21	Needle Bar Guide Slide Block	1	102630-0-01		B-58	Vertical Shaft Upper Bushing	1	142708-0-00	
B-22	Screw	2	009670-6-12		B-59	Screw	1	013760-6-10	
B-23	Needle Bar Guide	1	102631-0-00		B-60	Lower Shaft Collar	1		Collar 181995-0-01
B-24	Packing	1	118770-0-01		B-61	Screw	2	101706-0-03	
B-25	Oil Adjusting Screw for Upper Shaft	1	140412-0-01		B-62	Vertical Shaft Lower Bushing	1	142709-0-00	
B-26	Spring	1	116799-0-01		B-63	Screw	1	013761-4-10	
B-27	Upper Shaft	1	109137-0-01		B-64	Vertical Shaft Lower Gear	1		
B-28	O Ring	1	081002-6-70		B-65	Screw	2	013770-7-10	Lower Shaft Gear Assembly 180023-0-01
B-29	Oil Screw Right for Upper Shaft	1	104555-0-01		B-66	Lower Shaft Gear	1		
B-30	Washer	1	110367-0-01		B-67	Screw	2	013770-7-10	
B-31	Counter Weight	1			B-68	Screw	2	107428-0-01	Crank R. Assembly 182049-0-01
B-32	Screw	2	013770-7-10		B-69	Crank Rod	1		
B-33	Screw	1	104451-0-01		B-70	Screw	1	100310-0-01	
B-34	Screw	1	013761-4-10		B-71	Nut	1	104689-0-01	
B-35	Upper Shaft Bushing Left	1	11459-0-01		B-72	Needle Clamp	1		
					B-73	Screw	1		

C. Feed Mechanism and Knee Lifter Mechanism



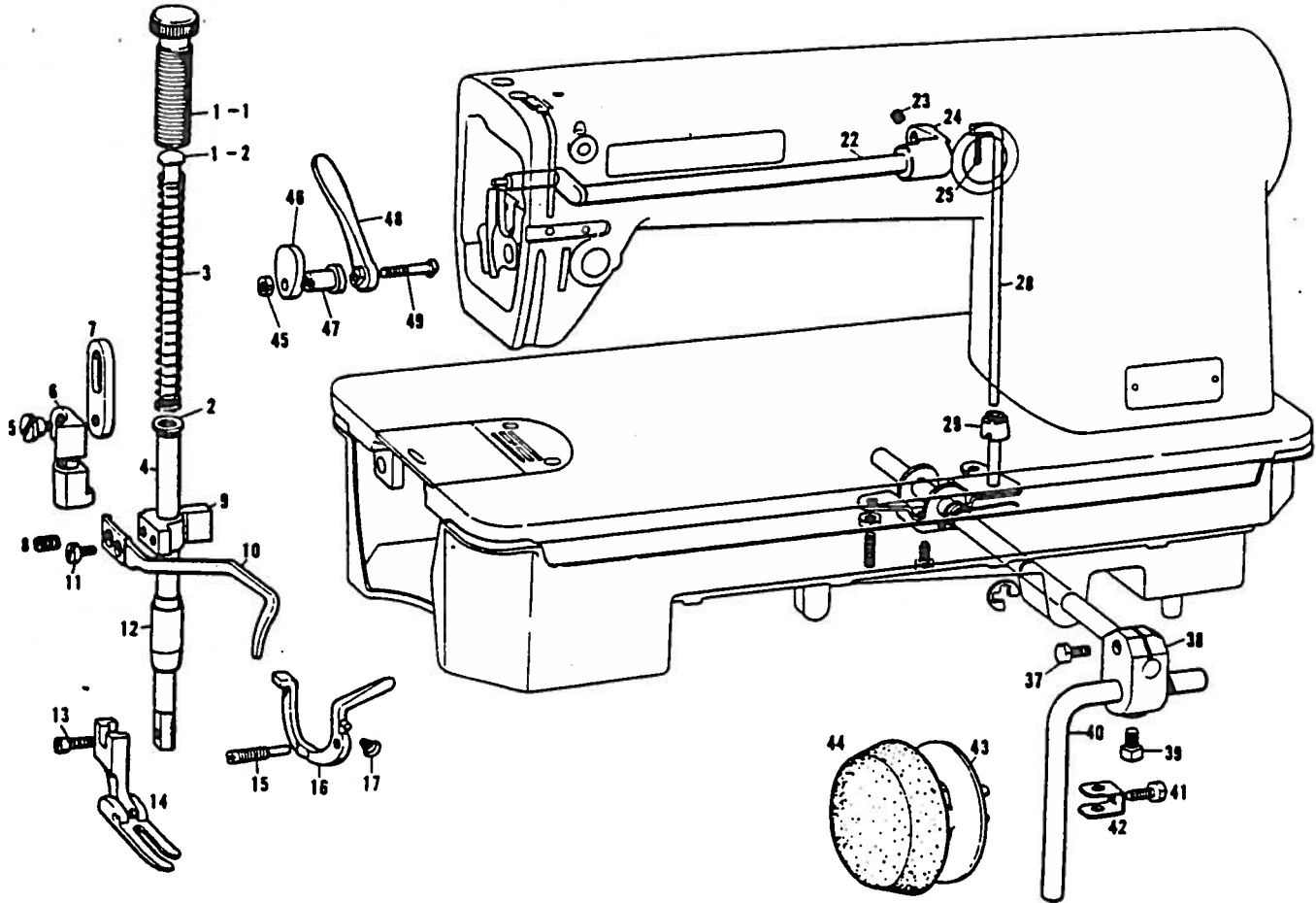
Ref. No.	Name of Parts	Q'ty	Parts No.	Assembly No.	Ref. No.	Name of Parts	Q'ty	Parts No.	Assembly No.
C-1	Packing	1	108549-0-01	Length Control Dial 181482-0-01	C-15	Screw	1	015771-0-12	Feed Regulator Lever Shaft 181671-0-01
C-2	Length Control Screw	1	109151-1-01		C-16	Reverse Lever	1	118752-0-01	
C-3-1	Length Control Dial	1	142482-0-01		C-17	Packing	1	104564-0-01	
C-3-2	Washer	1	142746-0-02		C-18	Feed Regulator Lever Shaft	1	108541-0-01	
C-4	Screw	1	142747-0-02		C-19	Feed Regulator Lever B With Hook	1	108544-0-03	
C-5	Pin	1	100327-0-01		C-20	Bolt	1	142403-0-01	
C-6	Spring	1	100328-0-01		C-21	Feed Regulator Tension Spring	1		
C-7	Screw	1	102627-0-01		C-24	Bolt	1	108749-0-01	
C-8	Feed Regulator	1			C-25	Feed Regulator Lever Assembly	1	116953-0-01	
C-9	Screw	1	013781-0-12		C-29	Screw	1	100511-0-03	
C-10	Stud	1	111491-0-01		C-30	Feed Forked Connector	1	109147-0-01	
C-11	Screw	1	100310-0-01		C-31	Packing	1	104564-0-01	
C-12	Feed Regulator Link	1	104897-0-00						
C-13	Nut	1	104689-0-01						
C-14	Taper Hinge	1	100312-0-01						

D. Rotary Hook Mechanism



Ref. No.	Name of Parts	Qty	Parts No.	Assembly No.	Ref. No.	Name of Parts	Qty	Parts No.	Assembly No.
D-1	Feed Bar	1			D-27	Screw	1	109173-0-01	
D-2	Feed Bar Shaft	1		Collar 182048-0-01	D-30	Screw	1	145334-0-01	
D-3	Feed Bar Shaft	2	144458-0-01		D-31	Spring	1	118761-1-00	
D-4	Screw	1	109156-0-01		D-32	Lower Shaft Bushing, Left	1	013680-8-12	
D-5	Screw	2	100080-0-03		D-33	Screw	2	013689-4-12	Oil Rejector 144943-0-01
D-6	Feed Dog	1	104847-0-01		D-34	Screw	1		
D-7	Taper Center Left	1	013770-7-10		D-35	Oil Rejector	1		
D-8	Screw	2	104908-0-01		D-36	Rotary Hook Assembly	1	009681-0-12	
D-9	Screw	1	109154-0-03		D-37	Screw	1		
D-10	Feed Rock Shaft	1	109152-0-01		D-38	Bobbin Case Holder Position	1	100367-0-01	
D-11	Feed Rock Shaft Arm	1	013689-4-12		D-39	Bracket	1	117132-0-01	
D-12	Screw	2	009681-2-12		D-39	Bobbin	1	100369-0-01	
D-13	Screw	1	109153-0-01		D-40	Bobbin Case	1	104847-0-01	
D-14	Feed Rock Shaft Arm Pin	1	104848-0-01		D-41	Taper Center Left	1	013770-7-10	
D-15	Taper Center Right	1	013770-7-10		D-42	Screw	1		Feed Lifting Arm 181562-0-01
D-16	Screw	1	118558-0-01		D-43	Feed Lifting Arm	1	009681-6-12	
D-17	Oil Stopper	2	009670-8-12		D-44	Screw	1	108536-0-03	
D-18	Screw	1	104520-1-00		D-45	Feed Lifting Rock Shaft	1	104848-0-01	
D-21	Lower Shaft Bushing Right	1	121007-0-01		D-46	Taper Center Right	1	013770-7-10	
D-22	Screw	1		Collar 181995-0-01	D-47	Screw	1	118559-0-01	
D-23	Lower Shaft Coller	2	101706-0-03		D-48	Oil Stopper	2	009670-8-12	
D-24	Screw	1	109160-0-01		D-49	Screw	1	107155-0-01	
D-25	Lower Shaft	1	106436-0-01		D-50	Felt	1		
D-26	Oil Felt								

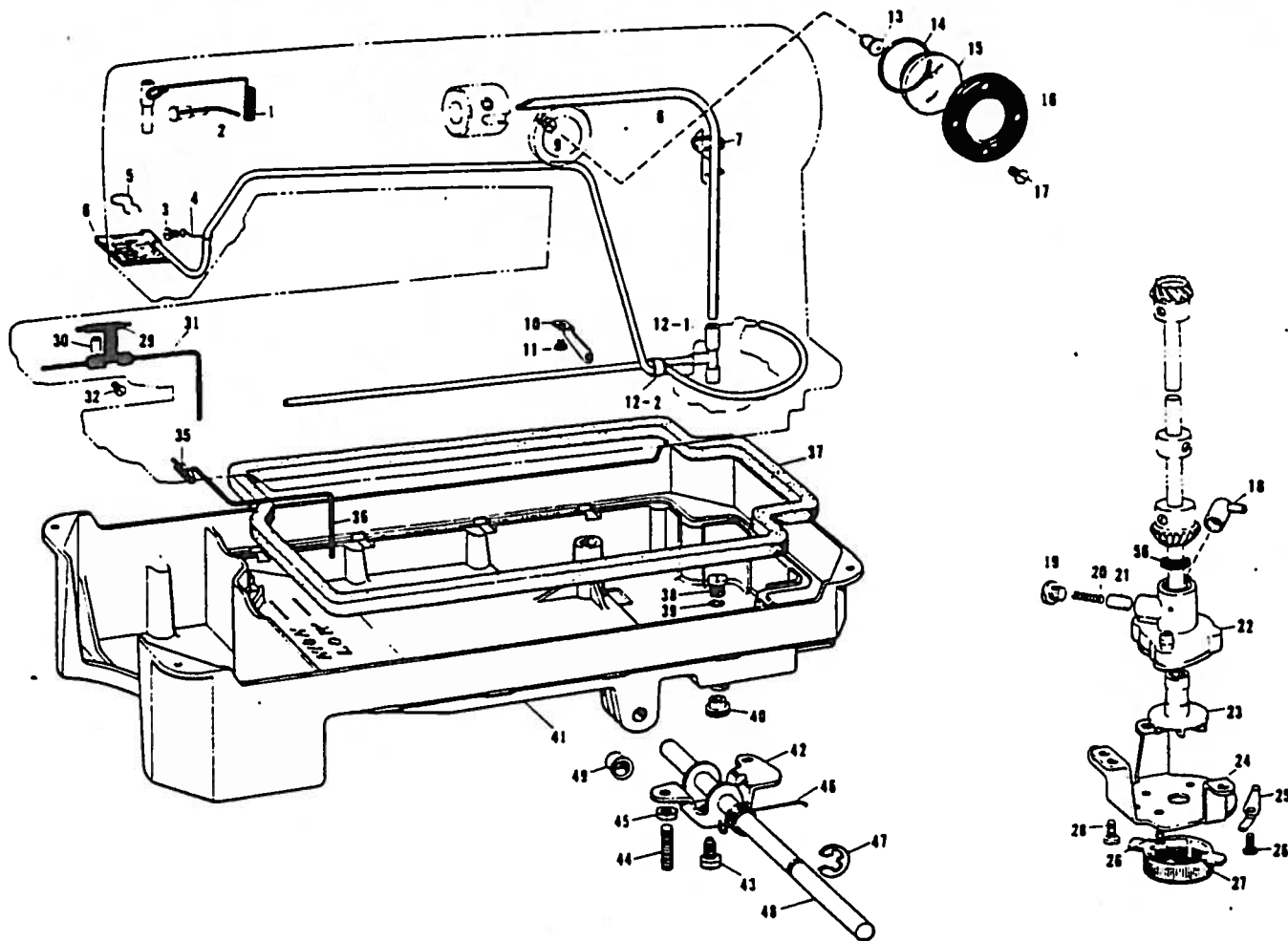
E. Presser Foot



Ref. No.	Name of Parts	Q'ty	Parts No.	Assembly No.	Ref. No.	Name of Parts	Q'ty	Parts No.	Assembly No.
E-1-1	Screw	1	141207-0-01		E-22	Knee Lifter Upper Crank Shaft	1	109145-0-01	
E-1-2	Presser Spring Bar	1	141208-0-01		E-23	Screw	1	013770-7-10	Knee Lifter Crank Upper Assembly 142756-0-01
E-2	Presser Spring Washer	1	140407-0-01		E-24	Knee Lifter Crank Upper	1		
E-3	Presser Spring	1	141209-0-01		E-25	Pin	1	045161-0-00	
E-4	Presser Bar	1	111465-0-01		E-28	Knee Lifter Connecting Rod	1	141168-0-01	
E-5	Screw	1	100294-0-01		E-29	Knee Lifter Complying Bar	1	145573-0-00	
E-6	Presser Bar Lifter Bracket	1	100290-0-01		E-37	Bolt	1	017762-0-13	
E-7	Presser Bar Lifting Connector	1	109144-0-01		E-38	Knee Lifter Joint	1		Knee Lifter Assembly 181427-0-01
E-8	Screw	1	013760-8-10	Presser Bar Clamp Assembly 180102-0-01	E-39	Bolt	1	100463-0-01	
E-9	Presser Bar Clamp	1			E-40	Knee Lifter Bar	1		
E-10	Presser Bar Bracket Thread Guide	1	111469-0-01		E-41	Bolt	1	110087-0-01	
E-11	Screw	1	009680-7-13		E-42	Knee Lifter Plate Stopper	1		
E-12	Presser Bar Bushing	1			E-43	Knee Lifter Plate	1		
E-13	Screw	1	001670-8-14		E-44	Knee Lifter Cover	1	140503-0-01	
E-14	Presser Foot Complete	1			E-45	Nut	1	021680-2-02	
E-15	Hinge Screw	1	109163-0-01		E-46	Presser Bar Lifter Cam	1	142015-0-01	
E-16	Tension Release Lever	1	111470-0-00		E-47	Presser Bar Lifter Shaft	1	142017-0-01	
E-17	Tension Release Lever Spring	1	100405-0-01		E-48	Presser Bar Lifter Lever	1	142016-0-01	
					E-49	Bolt	1	142018-0-01	

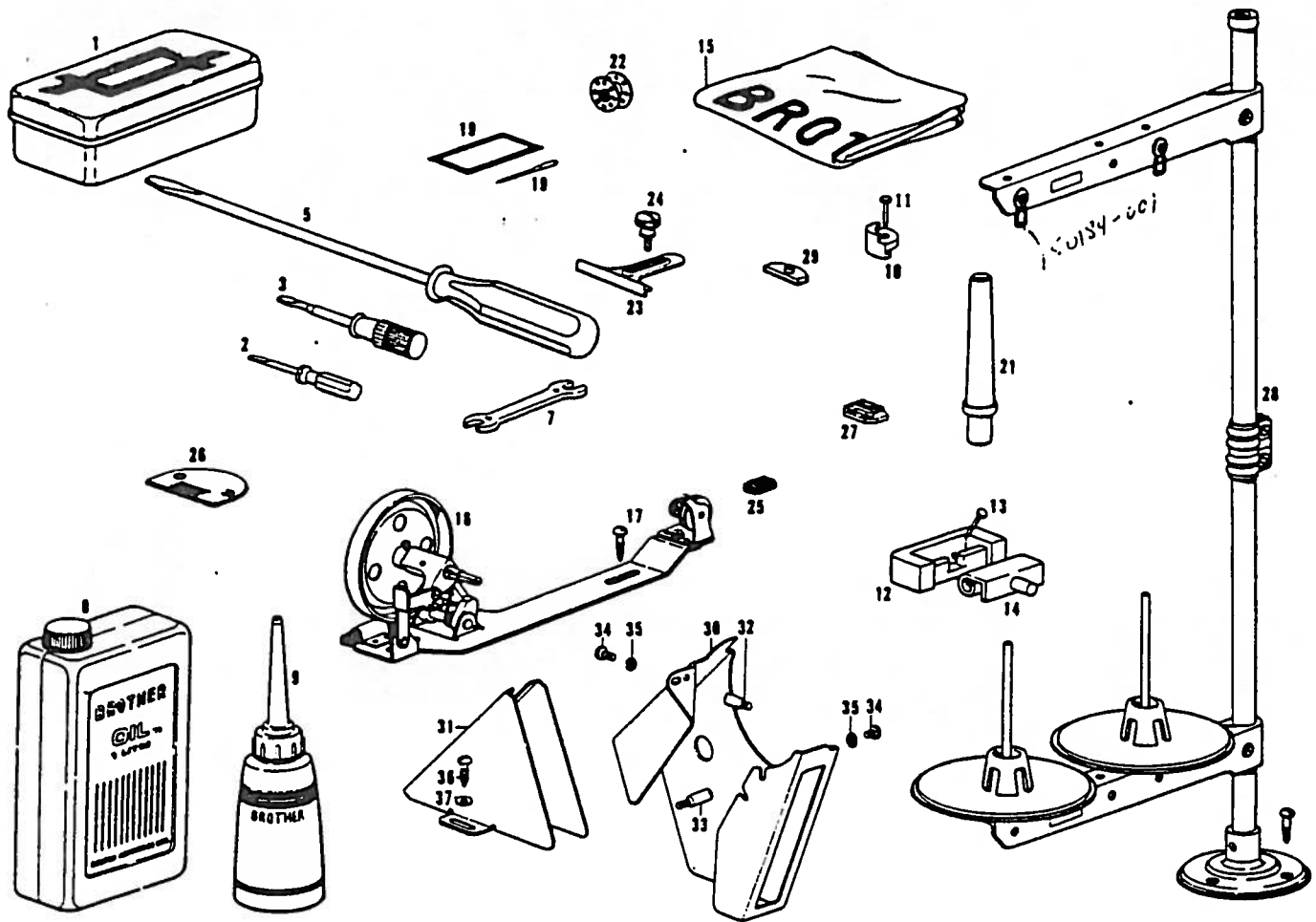
for pin
#15 &
#20 &
Knee L

F. Lubrication



Ref. No.	Name of Parts	Q'ty	Parts No.	Assembly No.	Ref. No.	Name of Parts	Q'ty	Parts No.	Assembly No.
F-1	Wick	1	108804-0-01		F-27	Pump Filter	1	144872-0-01	
F-2	Wick	1	109405-0-01		F-28	Screw	3	009680-7-13	
F-3	Screw	1	009670-5-12		F-29	Wick Supporter	1	109171-0-01	
F-4	Tube Hold	1	148806-0-01		F-30	Vinyl Tube	1	104566-0-01	
F-5	Felt Support	1	145737-0-01		F-31	Wick	1	108801-0-01	
F-6	Dust Cover With Tube	1	145792-0-01		F-32	Screw	2	009670-5-12	
F-7	Tube Guard	1	146326-0-01		F-35	Wick Supporter	1	104567-0-01	
F-8	Upper Oil Tube	1	146329-0-00		F-36	Wick	1	108802-0-01	
F-9	Screw	1	145992-0-01		F-37	Packing	1	146040-0-01	
F-10	Tube Holder	1	145542-0-01		F-38	Screw	1	140518-0-01	
F-11	Screw	1	009680-6-12		F-39	O Ring	1	081007-0-70	
F-12-1	Oil Tube	1	145540-0-01		F-40	Oil Cap	1	140480-0-01	
F-12-2	Tube	1	146253-0-00		F-41	Oil Pan	1	149580-0-01	Oil Pan Assembly 181420-2-01
F-13	Oil Hole Bolt for Oil Gauge	1	143196-0-01		F-42	Knee Lifter	1	146037-0-01	
F-14	O Ring	1	081014-6-70		F-43	Bolt	1	146367-0-01	
F-15	Oil Gauge Window	1	104547-0-01		F-44	Screw	2	104885-0-01	
F-16	Oil Gauge Flange	1	104546-0-01		F-45	Nut	2	100022-0-04	
F-17	Screw	4	102538-0-02		F-46	Spring	1	146038-6-01	
F-18	Joint	1	144878-0-01		F-47	Stop Ring	1	146293-0-01	
F-19	Oil Draining Screw	1	112467-0-02		F-48	Knee Lifter Shaft	1	146036-1-01	
F-20	Spring	1	144876-0-01		F-49	Bushing	2	149578-0-00	
F-21	Plunger	1	144875-0-01		F-50	Oil Stopper	1	146196-0-01	
F-22	Pump Body	1	148848-0-01	Pump Body Assembly 181476-1-01					
F-23	Propeller	1	148849-0-01						
F-24	Pump	1	144869-0-01						
F-25	Spring	2	144874-0-01						
F-26	Screw	4	009670-8-12						

Z. Accessory



Ref. No.	Name of Parts	Q'ty	Parts No.	Assembly No.	Ref. No.	Name of Parts	Q'ty	Parts No.	Assembly No.
Z-1	Accessory Box		110436-0-01		Z-22	Bubbin		117132-0-01	
Z-2	Screw Driver		142443-0-01		Z-23	Ruler		100471-0-01	
Z-3	Screw Driver		118437-0-01		Z-24	Thumb Screw		106120-0-01	
Z-5	Screw Driver		101572-1-01		Z-25	Magnet		112525-0-00	
Z-7	Spanner 8x9		100887-0-01		Z-26	Needle Plate			
Z-8	Oil Tank		145277-1-03		Z-27	Feed Dog			
Z-9	Oiler		114483-0-01		Z-28	Cotton Stand Assembly			
Z-10	Head Cushion		146003-1-01		Z-29	Oil Pan Cushion		146004-0-01	
Z-11-13	Nail		109714-0-00		Z-30	Belt Cover UA		147849-0-01	
Z-12	Blower		143910-0-01		Z-31	Belt Cover D		147854-0-01	
Z-14	Hinge		143882-0-01		Z-32	Stud		147856-0-01	
Z-15	Head Cover		144222-0-01		Z-33	Stud		147855-0-01	
Z-16	Bobbin Winder Assembly		117963-0-01		Z-34	Screw		009680-8-12	
Z-17	Screw		100666-0-02		Z-35	Washer		028680-2-42	
Z-18	Needle				Z-36	Screw		100666-0-02	
Z-19	Needle Bag				Z-37	Washer		025750-1-32	
Z-21	Head Rest		100477-0-01						

- * The details of included accessories are subject to change.
- * Änderungen in der Aufstellung der mitgelieferten Zubehöre sind vorbehalten.
- * Les détails des accessoires inclus sont sujets à des changements.
- * Los detalles de los accesorios incluidos pueden variar.

DIFFERENT PARTS LIST

Ref. No.	Name of Parts	Sub-Class Destination	3					
			100603-0-01	100603-0-01	100603-0-01	W.Germany 100266-0-01	England 111241-0-01	Israel 100266-0-01
A-49	Needle Plate		111463-0-01	111463-0-01	111463-0-01	111463-0-01	111241-0-01	100266-0-01
B-2	Needle Bar Bushing Upper		111863-0-01	111863-0-01	111863-0-01	111863-0-01	109143-0-01	109143-0-01
B-3	Needle Bar Cork		111462-0-01	111462-0-01	111462-0-01	111462-0-01	118832-0-00	118832-0-00
B-4	Needle Bar		111464-0-01	111464-0-01	111464-0-01	111464-0-01	109356-0-01	106408-0-01
B-5	Needle Bar Bushing Lower		140553-0-01	140553-0-01	140553-0-01	140553-0-01	109206-0-01	109206-0-01
B-8	Screw		112775-0-01	112775-0-01	112775-0-01	112775-0-01	144577-0-01	144577-0-01
B-9	Needle Bar Thread Guide		100575-0-31	100575-0-31	100575-0-31	100575-0-31	107415-0-14	107415-0-18
B-10	Needle		111234-0-01	111234-0-01	111234-0-01	111234-0-01	113318-0-01	113318-0-01
B-12-19	Thread Take-up Lever Assembly		111465-0-00	111465-0-00	111465-0-00	111465-0-00	109205-0-00	109205-0-00
B-31	Counter Weight		181625-0-01	181625-0-01	181625-0-01	181625-0-01	181627-0-01	181625-0-01
B-42-46	Feed Cam Assembly						143931-0-01	143931-0-01
B-72	Needle Clamp						118521-0-01	118521-0-01
B-73	Screw						182334-0-01	182334-0-01
C-7-8	Feed Regulator		181451-0-01	181451-0-01	181451-0-01	181451-0-01	109150-0-01	109150-0-01
C-21	Feed Regulator Tension Spring		109150-0-01	109150-0-01	109150-0-01	109150-0-01	109155-0-01	109155-0-01
D-1	Feed Bar		109155-0-01	109155-0-01	109155-0-01	109155-0-01	100334-0-01	100334-0-01
D-6	Feed Dog		111898-0-01	111898-0-01	111898-0-01	111898-0-01	116780-0-01	116780-0-01
D-36	Rotary Hook Assembly		112523-0-01	112523-0-01	112523-0-01	112523-0-01	110340-0-01	111467-0-01
E-12	Presser Bar Bushing		111467-0-01	111467-0-01	111467-0-01	111467-0-01	113280-0-01	113280-0-01
E-14	Presser Foot Complete		111856-0-01	111856-0-01	111856-0-01	111856-0-01	107415-0-18	
Z-18	Needle		100575-0-31	100575-0-31	100575-0-31	100575-0-31	100267-0-01	
Z-26	Needle Plate		100602-0-01	100602-0-01	100602-0-01	100602-0-01		
Z-27	Feed Dog		111898-0-01	111898-0-01	111898-0-01	111898-0-01	150150-0-01	150150-0-01
Z-28	Cotton Stand Assembly		150150-0-01		150150-0-01		147895-0-11	147895-0-11
Z-30-37	Belt Cover Assembly		147895-0-11					

Ref. No.	Name of Parts	Sub-Class Destination	3					
			Israel	France	Tiwan	100266-0-01	100266-0-01	Brazil 100266-0-01
A-49	Needle Plate		100266-0-01	100266-0-01	100266-0-01	100266-0-01	100266-0-01	100266-0-01
B-2	Needle Bar Bushing Upper		109143-0-01	111463-0-01	111463-0-01	111463-0-01	111463-0-01	111463-0-01
B-3	Needle Bar Cork		118832-0-00	111863-0-01	111863-0-01	111863-0-01	111863-0-01	111863-0-01
B-4	Needle Bar		106408-0-01	111462-0-01	111462-0-01	111462-0-01	111462-0-01	111462-0-01
B-5	Needle Bar Bushing Lower		109206-0-01	111464-0-01	111464-0-01	111464-0-01	111464-0-01	111464-0-01
B-8	Screw			140553-0-01	140553-0-01	140553-0-01	140553-0-01	140553-0-01
B-9	Needle Bar Thread Guide		144577-0-01	112775-0-01	112775-0-01	112775-0-01	112775-0-01	112775-0-01
B-10	Needle		100265-0-34	100265-0-34	100265-0-34	100265-0-34	100265-0-34	100265-0-34
B-12-19	Thread Take-up Lever Assembly		113318-0-01	113278-0-01	113278-0-01	113278-0-01	113278-0-01	113278-0-01
B-31	Counter Weight		109205-0-00	109205-0-00	109205-0-00	109205-0-00	109205-0-00	109205-0-00
B-42-46	Feed Cam Assembly		181625-0-01	181625-0-01	181625-0-01	181625-0-01	181625-0-01	181625-0-01
B-72	Needle Clamp		143931-0-01					
B-73	Screw		118521-0-01					
C-7-8	Feed Regulator		182334-0-01	182334-0-01	182334-0-01	182334-0-01	182334-0-01	182334-0-01
C-21	Feed Regulator Tension Spring		109150-0-01	109150-0-01	109150-0-01	109150-0-01	109150-0-01	109150-0-01
D-1	Feed Bar		109155-0-01	109155-0-01	109155-0-01	109155-0-01	109155-0-01	109155-0-01
D-6	Feed Dog		100334-0-01	100334-0-01	100334-0-01	100334-0-01	100334-0-01	100334-0-01
D-36	Rotary Hook Assembly		116780-0-01	116780-0-01	116780-0-01	116780-0-01	116780-0-01	116780-0-01
E-12	Presser Bar Bushing		111467-0-01	111467-0-01	111467-0-01	111467-0-01	111467-0-01	111467-0-01
E-14	Presser Foot Complete		113280-0-01	113280-0-01	113280-0-01	113280-0-01	113280-0-01	113280-0-01
Z-18	Needle			100265-0-34	100265-0-34	100265-0-34	100265-0-34	100265-0-34
Z-26	Needle Plate			100603-0-01	111859-0-01	100603-0-01	100603-0-01	100603-0-01
Z-27	Feed Dog		150150-0-01	111898-0-01	147143-0-01	111898-0-01	111898-0-01	111898-0-01
Z-28	Cotton Stand Assembly						150150-0-01	
Z-30-37	Belt Cover Assembly			147895-0-11				

Ref. No.	Name of Parts	Sub-Class Destination	-3				-5	
			Tiwan	America	Australia	Thailand	Iran	
A-49	Needle Plate		100266-0-01	100266-0-01	111859-0-01	100266-0-01	111241-0-01	100267-0-01
B-2	Needle Bar Bushing Upper		111463-0-01	111463-0-01	109143-0-01	111463-0-01	111463-0-01	111463-0-01
B-3	Needle Bar Cork		111863-0-01	111863-0-01	118832-0-01	111863-0-01	111863-0-01	111863-0-01
B-4	Needle Bar		111462-0-01	111462-0-01	106408-0-01	111462-0-01	116017-0-01	114908-0-01
B-5	Needle Bar Bushing Lower		111464-0-01	111464-0-01	109206-0-01	111464-0-01	114929-0-01	111464-0-01
B-8	Screw		140553-0-01	140553-0-01		140553-0-01		140553-0-01
B-9	Needle Bar Thread Guide		112775-0-01	112775-0-01	144577-0-01	112775-0-01	118382-0-01	112775-0-01
B-10	Needle		100265-0-34	100265-0-34	100265-0-34	100265-0-34	100265-0-41	107415-0-18
B-12-19	Thread Take-up Lever Assembly		145463-0-01	113278-0-01	113318-0-01	113278-0-01	113278-0-01	113278-0-01
B-31	Counter Weight		111465-0-00	109205-0-00	109205-0-00	109205-0-00	109205-0-00	109205-0-00
B-42-46	Feed Cam Assembly		181625-0-01	181625-0-01	181625-0-01	181625-0-01	181627-0-01	181627-0-01
B-72	Needle Clamp				143931-0-01		114930-0-01	
B-73	Screw				118521-0-01		114928-0-01	
C-7-8	Feed Regulator		182334-0-01	182334-0-01	182334-0-01	182334-0-01	182334-0-01	182334-0-01
C-21	Feed Regulator Tension Spring		109150-0-01	109150-0-01	109150-0-01	109150-0-01	109150-0-01	109150-0-01
D-1	Feed Bar		109155-0-01	109155-0-01	109155-0-01	111474-0-01	109155-0-01	109155-0-01
D-6	Feed Dog		100334-0-01	100334-0-01	111860-0-01	117784-0-01	100334-0-01	100334-0-01
D-36	Rotary Hook Assembly		116780-0-01	116780-0-01	116780-0-01	116780-0-01	116780-0-01	116780-0-01
E-12	Presser Bar Bushing		111467-0-01	111467-0-01	111467-0-01	111467-0-01	111467-0-01	111467-0-01
E-14	Presser Foot Complete		113280-0-01	113280-0-01	113280-0-01	113280-0-01	113280-0-01	113280-0-01
Z-18	Needle		100265-0-34	100265-0-34	100265-0-34			107415-0-18
Z-26	Needle Plate		111859-0-01	100603-0-01	100603-0-01			111241-0-01
Z-27	Feed Dog		147143-0-01	111898-0-01	111898-0-01			
Z-28	Cotton Stand Assembly			150150-0-01		150150-0-01	150150-0-01	
Z-30-37	Belt Cover Assembly			147895-0-11				

Ref. No.	Name of Parts	Sub-Class Destination	-5				
			France	Brazil	Tiwan		
A-49	Needle Plate		100267-0-01	100267-0-01	100267-0-01	147322-0-01	100267-0-01
B-2	Needle Bar Bushing Upper		111463-0-01	111463-0-01	111463-0-01	111463-0-01	111463-0-01
B-3	Needle Bar Cork		111863-0-01	111863-0-01	111863-0-01	111863-0-01	111863-0-01
B-4	Needle Bar		114908-0-01	114908-0-01	114908-0-01	114908-0-01	114908-0-01
B-5	Needle Bar Bushing Lower		111464-0-01	111464-0-01	111464-0-01	111464-0-01	111464-0-01
B-8	Screw		140553-0-01	140553-0-01	140553-0-01	140553-0-01	140553-0-01
B-9	Needle Bar Thread Guide		112775-0-01	112775-0-01	112775-0-01	112775-0-01	112775-0-01
B-10	Needle		107415-0-18	107415-0-18	107415-0-18	100265-0-41	107415-0-18
B-12-19	Thread Take-up Lever Assembly		113278-0-01	113278-0-01	113278-0-01	113278-0-01	113278-0-01
B-31	Counter Weight		109205-0-00	109205-0-00	109205-0-00	109205-0-00	109205-0-00
B-42-46	Feed Cam Assembly		181627-0-01	181627-0-01	181627-0-01	181647-0-01	181627-0-01
B-72	Needle Clamp						
B-73	Screw						
C-7-8	Feed Regulator		182334-0-01	182334-0-01	182334-0-01	181127-0-01	182334-0-01
C-21	Feed Regulator Tension Spring		109150-0-01	109150-0-01	109150-0-01	118753-0-01	109150-0-01
D-1	Feed Bar		109155-0-01	109155-0-01	109155-0-01	109155-0-01	109155-0-01
D-6	Feed Dog		100334-0-01	100334-0-01	100334-0-01	144500-0-01	100334-0-01
D-36	Rotary Hook Assembly		116780-0-01	116780-0-01	116780-0-01	111275-0-01	116780-0-01
E-12	Presser Bar Bushing		111467-0-01	111467-0-01	111467-0-01	111467-0-01	111467-0-01
E-14	Presser Foot Complete		113280-0-01	113280-0-01	113280-0-01	145157-0-01	113280-0-01
Z-18	Needle		107415-0-18	107415-0-18	107415-0-18		107415-0-18
Z-26	Needle Plate		111241-0-01	111241-0-01	111241-0-01		111241-0-01
Z-27	Feed Dog						
Z-28	Cotton Stand Assembly		150150-0-01	150150-0-01			150150-0-01
Z-30-37	Belt Cover Assembly						147895-0-11

INDEX

Parts No.	Ref. No.	Remark	Parts No.	Ref. No.	Remark	Parts No.	Ref. No.	Remark	Parts No.	Ref. No.	Remark
001670-8-14	E-13		100290-0-01	E-6		106442-0-01	B-44		111898-0-01	Z-27	
009670-5-12	A-20		100294-0-01	E-5		107155-0-01	D-50		112467-0-02	F-19	
	F-3		100310-0-01	B-70		107415-0-14	B-10		112523-0-01	D-36	
	F-32			C-11			Z-18		112525-0-00	Z-25	
009670-6-12	B-22		100312-0-01	C-14		107415-0-18	B-10		112775-0-01	B-9	
009670-6-14	A-32		100327-0-01	C-5			Z-18		112782-0-01	A-14	
009670-8-12	A-7		100328-0-01	C-6		107428-0-01	B-68		113278-0-01	B-12-19	
	D-18		100334-0-01	D-6		108520-0-01	A-12		113280-0-01	E-14	
	D-49		100367-0-01	D-38		108541-0-01	C-18		113316-0-01	A-33	
	F-26		100369-0-01	D-40		108544-0-03	C-19		113318-0-01	B-12-19	
009671-0-13	A-13		100398-0-01	A-40		108549-0-01	C-1		114294-0-01	A-37	
009671-8-13	A-16		100399-0-01	A-39		108556-0-03	D-45		114483-0-01	Z-9	
009680-6-12	F-11		100400-0-00	A-38		108749-0-01	C-24		114561-0-01	A-46	
009680-7-13	A-23		100402-0-04	A-34		108801-0-01	F-31		114908-0-01	B-4	
	E-11		100405-0-01	E-17		108802-0-01	F-36		114928-0-01	B-73	
	F-28		100463-0-01	E-39		108804-0-01	F-1		114929-0-01	B-5	
009680-8-12	Z-34		100471-0-01	Z-23		108809-0-01	B-20		114930-0-01	B-72	
009681-0-12	D-37		100477-0-01	Z-21		108960-0-02	A-19		114931-0-01	A-26	
009681-2-12	D-13		100511-0-03	C-29		109137-0-01	B-27		115244-0-01	B-54	
009681-6-12	D-44		100573-0-01	B-7		109143-0-01	B-2		116017-0-01	B-4	
013680-6-12	A-25		100575-0-31	B-10		109144-0-01	E-7		116780-0-01	D-36	
013680-8-12	D-33			Z-18		109145-0-01	E-22		116794-0-01	D-31	
013689-4-12	D-12		100602-0-01	Z-26		109147-0-01	C-30		116799-0-01	B-26	
	D-34		100603-0-01	A-49		109150-0-01	C-21		116953-0-01	C-25	
013760-5-10	B-51			Z-26		109151-1-01	C-2		117132-0-01	D-39	
	B-59		100656-0-02	Z-17		109152-0-01	D-11			Z-22	
013760-8-10	B-41			Z-36		109153-0-01	D-14		117784-0-01	D-6	
	B-46		100887-0-01	Z-7		109154-0-03	D-10		117963-0-01	Z-16	
	E-8		101487-0-00	B-53		109155-0-01	D-1		118382-0-01	B-9	
013761-4-10	B-11		101572-1-01	Z-5		109156-0-01	D-3		118521-0-01	B-73	
	B-34		101706-0-03	B-61		109160-0-01	D-25		118558-0-01	D-17	
	B-38			D-24		109163-0-01	E-15		118559-0-01	D-48	
	B-55		102538-0-02	F-17		109171-0-01	F-29		118752-0-01	C-16	
	B-63		102627-0-01	C-7		109173-0-01	D-27		118753-0-01	C-21	
013770-7-10	B-32		102630-0-01	B-21		109195-0-01	A-17		118761-1-00	D-32	
	B-48		102631-0-00	B-23		109205-0-00	B-31		118770-0-01	B-24	
	B-50		102716-0-03	A-31		109206-0-01	B-5		118832-0-00	B-3	
	B-65		103950-0-02	A-36		109356-0-01	B-4		118837-0-01	Z-3	
	B-67		104449-0-01	A-2		109405-0-01	A-22		121007-0-01	D-22	
	D-8		104450-0-01	A-1			F-2		122771-0-01	A-47	
	D-16		104451-0-01	A-11		109714-0-00	Z-11, 13		140004-0-01	B-14	
	D-42		104464-0-01	B-33		110087-0-01	E-41		140407-0-01	E-2	
	D-47		104478-0-01	B-56		110340-0-01	E-12		140412-0-01	B-25	
	E-23		104520-1-00	D-21		110367-0-01	B-30		140480-0-01	F-40	
	013781-0-12	C-9		104525-0-01	A-43		110436-0-01	Z-1		140503-0-01	E-44
015771-0-12	C-15		104546-0-01	F-16		111234-0-01	B-12-19		140518-0-01	F-38	
017762-0-13	E-27		104547-0-01	F-15		111241-0-01	A-49		140553-0-01	B-8	
021680-2-02	E-45		104553-0-01	B-29			Z-26		140726-0-00	B-39	
025750-1-32	Z-37		104564-0-01	C-17		111275-0-01	D-36		140885-0-01	A-24	
028680-2-42	Z-35			C-31		111456-0-01	A-8		141168-0-01	E-28	
045161-0-00	E-25		104566-0-01	F-30		111457-0-01	A-9		141207-0-01	E-1-1	
081002-6-70	B-28		104567-0-01	F-35		111459-0-01	B-35		141208-0-01	E-1-2	
081007-0-70	F-39		104689-0-01	B-71		111462-0-01	B-4		141209-0-01	E-3	
081014-6-70	F-14			C-13		111463-0-01	B-2		142015-0-01	E-46	
100022-0-04	F-45		104821-0-01	A-3		111464-0-01	B-5		142016-0-01	E-48	
100032-0-03	A-48		104829-0-01	A-53		111465-0-00	B-31		142017-0-01	E-47	
100080-0-03	D-5		104830-0-01	A-52		111466-0-01	E-4		142018-0-01	E-49	
100090-0-04	A-55		104832-0-01	A-10		111467-0-01	E-12		142403-0-01	C-20	
100134-0-01	A-42		104833-0-01	A-51		111469-0-01	E-10		142443-0-01	Z-2	
100136-0-01	A-44		104847-0-01	D-7		111470-0-00	E-16		142482-0-01	C-3-1	
100260-0-01	B-1			D-41		111474-0-01	D-1		142708-0-00	B-4	
	B-6		104848-0-01	D-15		111476-0-01	A-18		142709-0-00	B-4	
100265-0-34	B-10			D-46		111491-0-01	C-10		142746-0-02	A-C3-2	
	Z-18		104885-0-01	F-44		111856-0-01	E-14		142747-0-02	A-C3-2	
100265-0-41	B-10		104897-0-00	C-12		111859-0-01	A-49		142756-0-01	A-C3-2	
	Z-18		104908-0-01	D-9			Z-26		143196-0-01	A-C3-2	
100266-0-01	A-49		106120-0-01	Z-24		111860-0-01	D-6		143882-0-01	A-C3-2	
	Z-26		106408-0-01	B-4		111863-0-01	B-3		143910-0-01	A-C3-2	
100267-0-01	A-49		106436-0-01	D-26		111865-0-01	A-6		143931-0-01	A-C3-2	
							D-6		144222-0-01	A-C3-2	

Parts No.	Ref. No.	Remark	Parts No.	Ref. No.	Remark	Parts No.	Ref. No.	Remark	Parts No.	Ref. No.	Remark
14458-0-01	D-4		181995-0-01	D-23-24							
144500-0-01	D-6		182048-0-01	D-2, 4							
144502-0-01	A-27-31		182049-0-01	B-68-69							
144577-0-01	B-9		182334-0-01	C-7-8							
144741-0-01	A-35		182349-0-01	C-7-8							
144868-0-01	B-57										
144869-0-01	F-24										
144872-0-01	F-27										
144874-0-01	F-25										
144875-0-01	F-21										
144876-0-01	F-20										
144878-0-01	F-18										
144943-0-01	D-34, 35										
145157-0-01	E-14										
145277-1-03	Z-8										
145446-0-01	A-41										
145454-0-01	A-54										
145463-0-01	B-12-19										
145465-0-01	B-16										
145534-0-01	D-30										
145540-0-01	F-12-1										
145542-0-01	F-10										
145737-0-01	F-5										
145792-0-01	F-6										
145992-0-01	F-9										
146003-1-01	Z-10										
146004-0-01	Z-29										
146036-1-01	F-48										
146037-0-01	F-42										
146038-0-01	F-46										
146040-0-01	F-37										
146196-0-01	F-50										
146253-0-00	F-12-2										
146293-0-01	F-47										
146326-0-01	F-7										
146329-0-00	F-8										
146331-0-01	B-52										
146367-0-01	F-43										
147143-0-01	Z-27										
147322-0-01	A-49										
147849-0-01	Z-30										
147854-0-01	Z-31										
147855-0-01	Z-33										
147856-0-01	Z-32										
147895-0-01	Z-30-37										
148806-0-01	F-4										
148848-0-01	F-22										
148849-0-01	F-23										
149578-0-00	F-49										
149580-0-01	F-41										
150150-0-01	Z-28										
180018-0-01	A-45-47										
180022-0-01	B-47-50										
180023-0-01	B-64-67										
180102-0-01	E-8-9										
181127-0-01	C-7-8										
181357-0-01	A-15, 17-19										
181420-2-01	F-37-49										
181427-0-01	E-37-44										
181451-0-01	C-7-8										
181472-0-01	A-21, 22										
181476-1-01	F-18-26										
181482-0-01	C-1-4										
181562-0-01	D-43, 44										
181625-0-01	B-42-46										
181627-0-01	B-42-46										
181647-0-01	B-42-46										
181671-0-01	C-15-18										
181994-0-01	B-40-41										
181995-0-01	B-50-51										

www.PromElectroAvtomat.ru