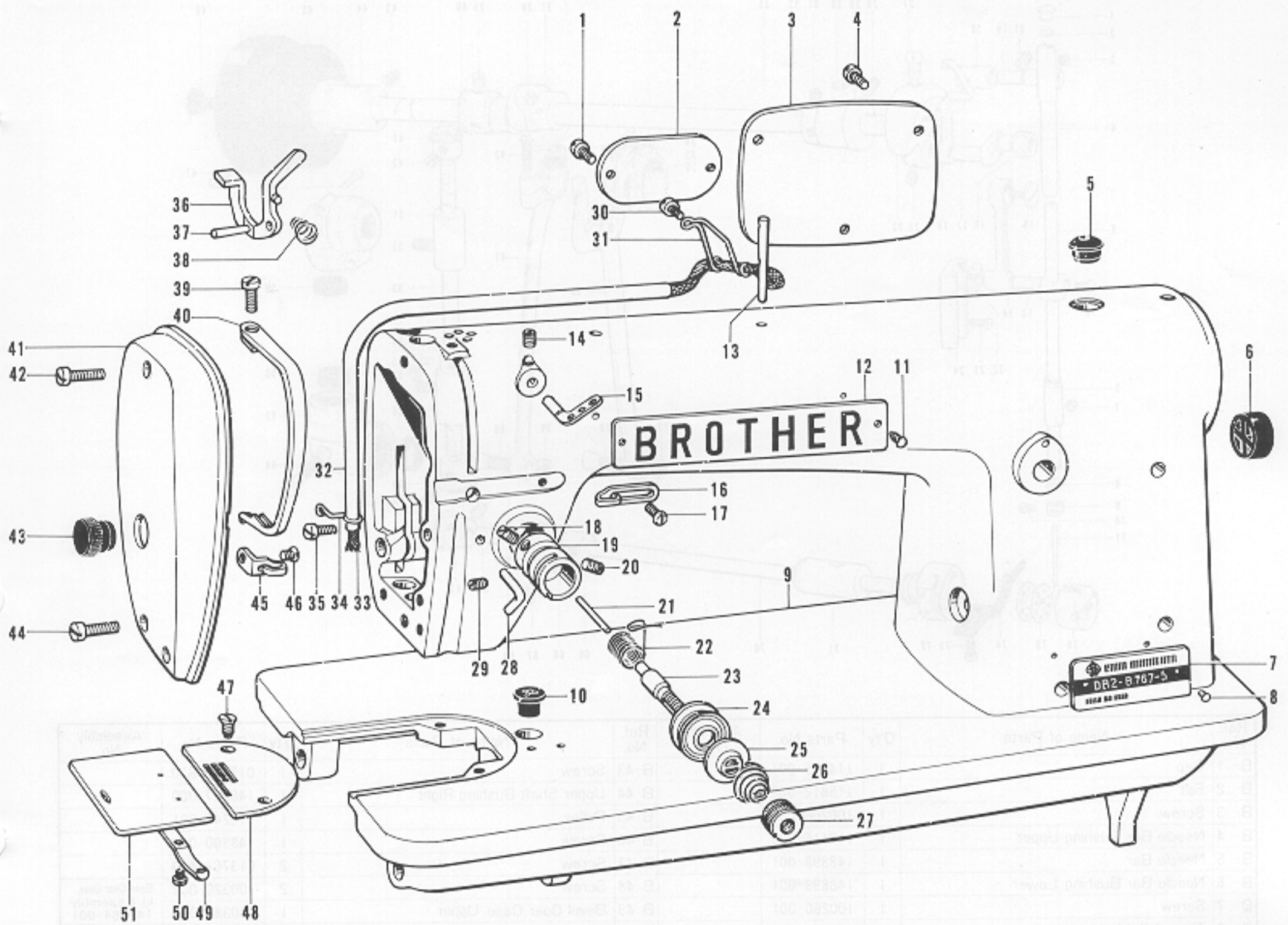
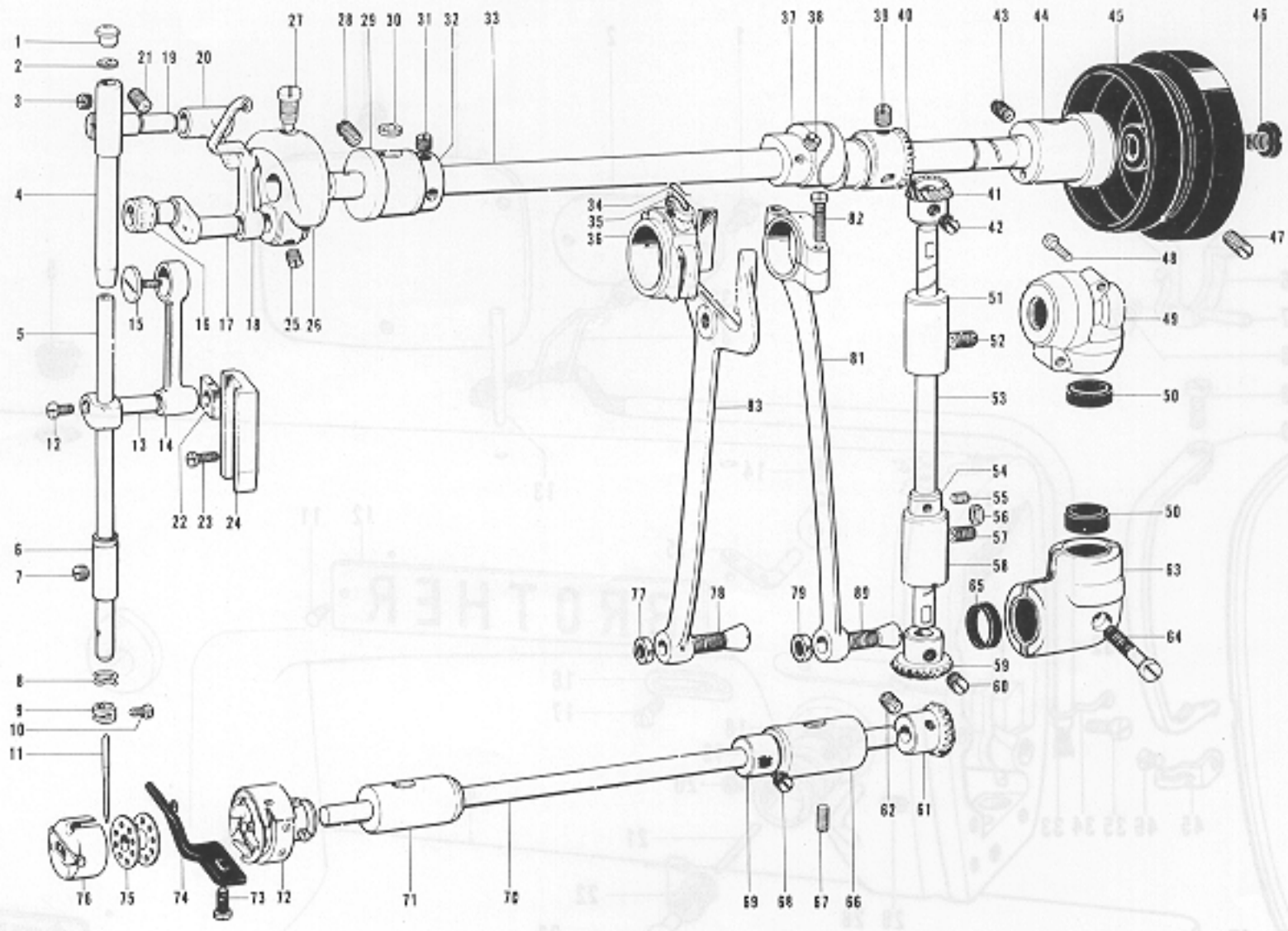


A. Machine Body



Ref. No.	Name of Parts	Q'ty	Parts No.	Assembly No.	Ref. No.	Name of Parts	Q'ty	Parts No.	Assembly No.
A-1	Screw	2	009670-612		A-27	Nut	1	100136-001	
A-2	Rear Cover Left	1	148920-001		A-28	Thread Guide	1	116112-001	
A-3	Rear Cover Right	1	148919-001		A-29	Screw	1	013680-612	
A-4	Screw	3	009670-612		A-30	Screw	1	009670-612	
A-5	Oil Cap	1	141744-001		A-31	Oil Wick Supporter	1	142100-001	
A-6	Oil Cap	1	104451-001		A-32	Vinyl Tube	1	148921-000	
A-7	Model Plate	1			A-33	Wick	1	140439-001	
A-8	Pin	2			A-34	Tube Holder	1	148806-001	
A-9	Arm Bed	1			A-35	Screw	1	009670-612	
A-10	Oil Cap	1	140890-001		A-36	Tension Release Lever	1	111470-000	
A-11	Pin	2			A-37	Pin	1	100040-000	
A-12	Name Plate	1			A-38	Tension Release Lever Spring	1	100405-001	
A-13	Spool Pin	1	100386-001		A-39	Screw	1	009680-712	
A-14	Screw	1	013680-612		A-40	Thread Take-up Cover	1	140885-001	
A-15	Thread Retainer	1	114931-001		A-41	Face Plate	1	111455-001	
A-16	Arm Thread Guide	1	113316-001		A-42	Screw	1	009671-813	
A-17	Screw	1	009670-514		A-43	Oil Cap	1	112782-001	
A-18	Screw	1	100402-004		A-44	Screw	2	009671-013	
A-19	Tension Bracket	1	145250-001		A-45	Face Plate Thread Guide	1	111476-001	
A-20	Screw	1	103950-002		A-46	Screw	1	103960-002	
A-21	Tension Release Pin	1	100400-000		A-47	Screw	2	100032-003	
A-22	Thread Take-up Spring	1	148923-001		A-48	Needle Plate	1	111508-001	
A-23	Tension Stud	1	100398-001		A-49	Slide Plate Spring	1		Slide Plate
A-24	Tension Disc	2	145446-001		A-50	Screw	2		Assembly
A-25	Tension Disc Washer	1	100134-001		A-51	Slide Plate	1		118289-001
A-26	Tension Spring	1	148924-001						

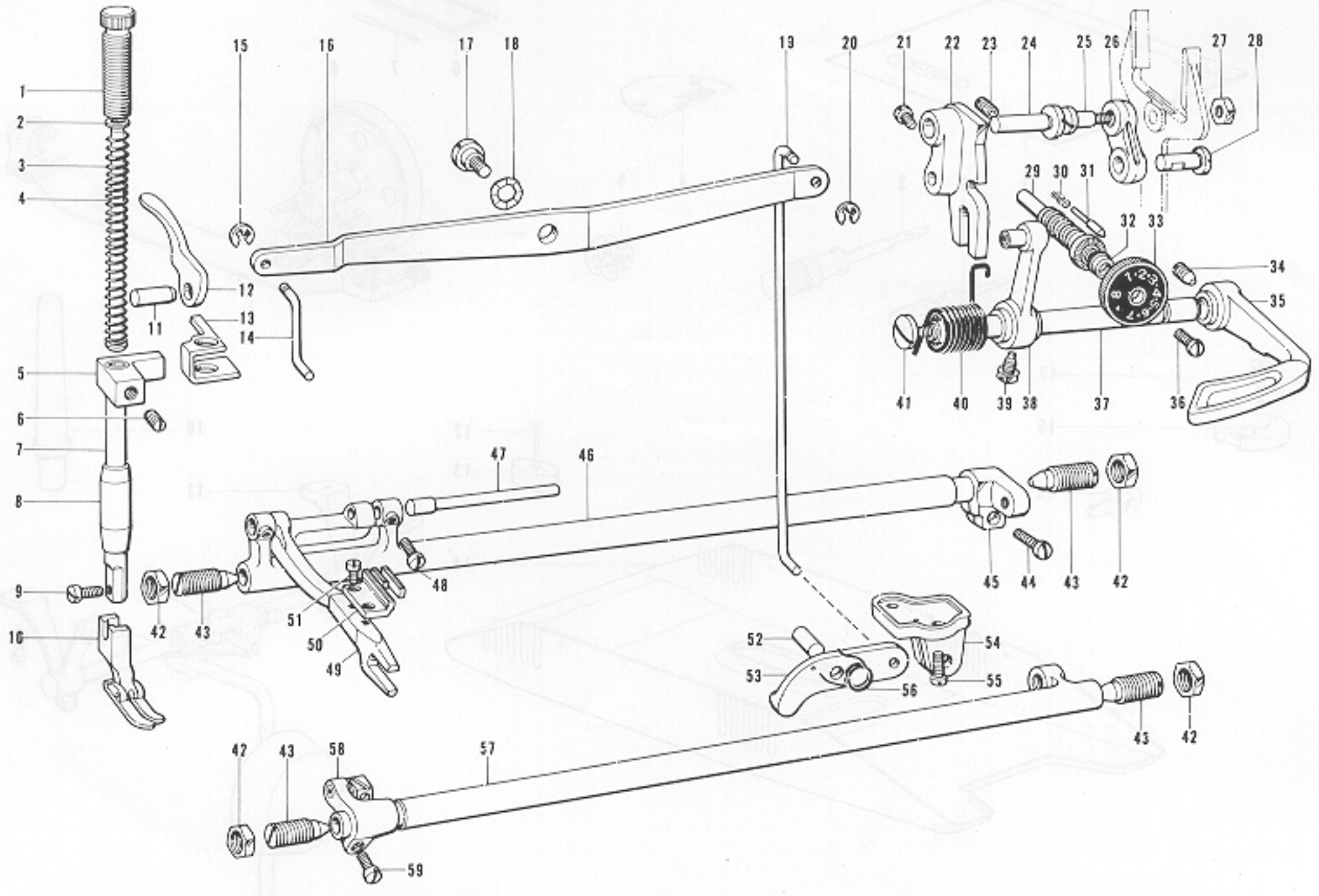
B. Upper Shaft, Needle Bar and Thread Take-up Lever Mechanism



Ref. No.	Name of Parts	Q'ty	Parts No.	Assembly No.	Ref. No.	Name of Parts	Q'ty	Parts No.	Assembly No.
B-1	Cap	1	114255-001		B-43	Screw	1	013760-610	
B-2	Felt	1	115812-002		B-44	Upper Shaft Bushing Right	1	148897-000	
B-3	Screw	1	100260-001		B-45	Pulley	1	115244-001	
B-4	Needle Bar Bushing Upper	1	117116-001		B-46	Screw	1	148900-001	
B-5	Needle Bar	1	148898-001		B-47	Screw	2	013761-410	
B-6	Needle Bar Bushing Lower	1	148899-001		B-48	Screw	2	100320-002	Bevel Gear Case, U Assembly 140384-001
B-7	Screw	1	100260-001		B-49	Bevel Gear Case Upper	1	140385-000	
B-8	Thread Guide Lower	1	148901-001		B-50	Seal	2	103796-001	
B-9	Needle Bar Thread Guide	1	112775-001		B-51	Vertical Shaft Bushing Upper	1	148913-000	
B-10	Screw	1	140553-001		B-52	Screw	1	013760-610	
B-11	Needle DB x I	1	100265-019		B-53	Vertical Shaft	1	144555-001	
B-12	Screw	1		Needle Bar Connecting Rod Assembly 117114-001	B-54	Set Collar	1	118760-001	Collar Assembly 118759-001
B-13	Needle Bar Clamp	1			B-55	Screw	2	101706-001	
B-14	Needle Bar Crank Rod	1			B-56	Felt	3	148918-000	
B-15	Screw	1			B-57	Screw	1	013761-410	
B-16	Needle Roller Bearing	1			B-58	Vertical Shaft Bushing Lower	1	148914-000	
B-17	Needle Bar Crank	1			B-59	Gear Lower	1	117000-001	Gear, D Assembly 180890-001
B-18	Thread Take-up Lever	1			B-60	Screw	2	013770-710	
B-19	Stud for Thread Take-up Supporter	1			B-61	Gear	1	117001-001	Gear Assembly 180887-001
B-20	Link Take-up Supporter	1			B-62	Screw	2	013770-710	
B-21	Screw	1	013761-010			B-63	Bevel Gear Case Lower	1	110320-000
B-22	Needle Bar Guide Slide Block	1	102630-001		B-64	Screw	1	100343-001	
B-23	Screw	2	009670-612		B-65	Seal	1	103797-001	
B-24	Needle Bar Guide	1	102631-000		B-66	Lower Shaft Bushing Right	1	148916-000	
B-25	Screw	2	013770-710		B-67	Screw	1	011681-212	
B-26	Counter Weight-5	1	142406-000		B-68	Screw	2	101706-003	Set Collar Assembly 118299-001
B-27	Screw	1	104464-001		B-69	Set Collar	1	100356-001	
B-28	Screw	1	013761-410		B-70	Lower Shaft	1	100351-001	
B-29	Upper Shaft Bushing Left	1	148896-000		B-71	Lower Shaft Bushing Left	1	148915-000	
B-30	Felt	2	140560-001		B-72	Rotary Hook A	1	111272-001	
B-31	Screw	2	013770-710	Pulley Bush Assembly 118371-001	B-73	Screw	1	009681-012	
B-32	Collar	1	104274-000		B-74	Bobbin Case Holder Position Bracket	1	100367-001	
B-33	Upper Shaft	1	144551-001		B-75	Bobbin	1	117132-001	
B-34	Felt Wire	1	106440-000		B-76	Bobbin Case	1	100369-001	
B-35	Felt	1	106442-001		B-77	Nut	1	104689-001	
B-36	Sleeve	1	104501-001	Feed Cam Sleeve Assembly 180435-001	B-78	Screw	1	100310-001	
B-37	Feed Cam	1	100307-000		B-79	Nut	1	104689-001	
B-38	Screw	2	013760-810		B-80	Screw	1	100310-001	
B-39	Screw	2	013770-710	Gear Assembly 180891-001	B-81	Crank Rod	1	116994-001	Crank Rod Assembly 118293-001
B-40	Gear	1	140379-001		B-82	Screw	2	107428-001	
B-41	Gear Upper	1	140380-001	Gear, U Assembly 180892-001	B-83	Feed Forked Connector	1	148906-001	
B-42	Screw	2	013770-710						

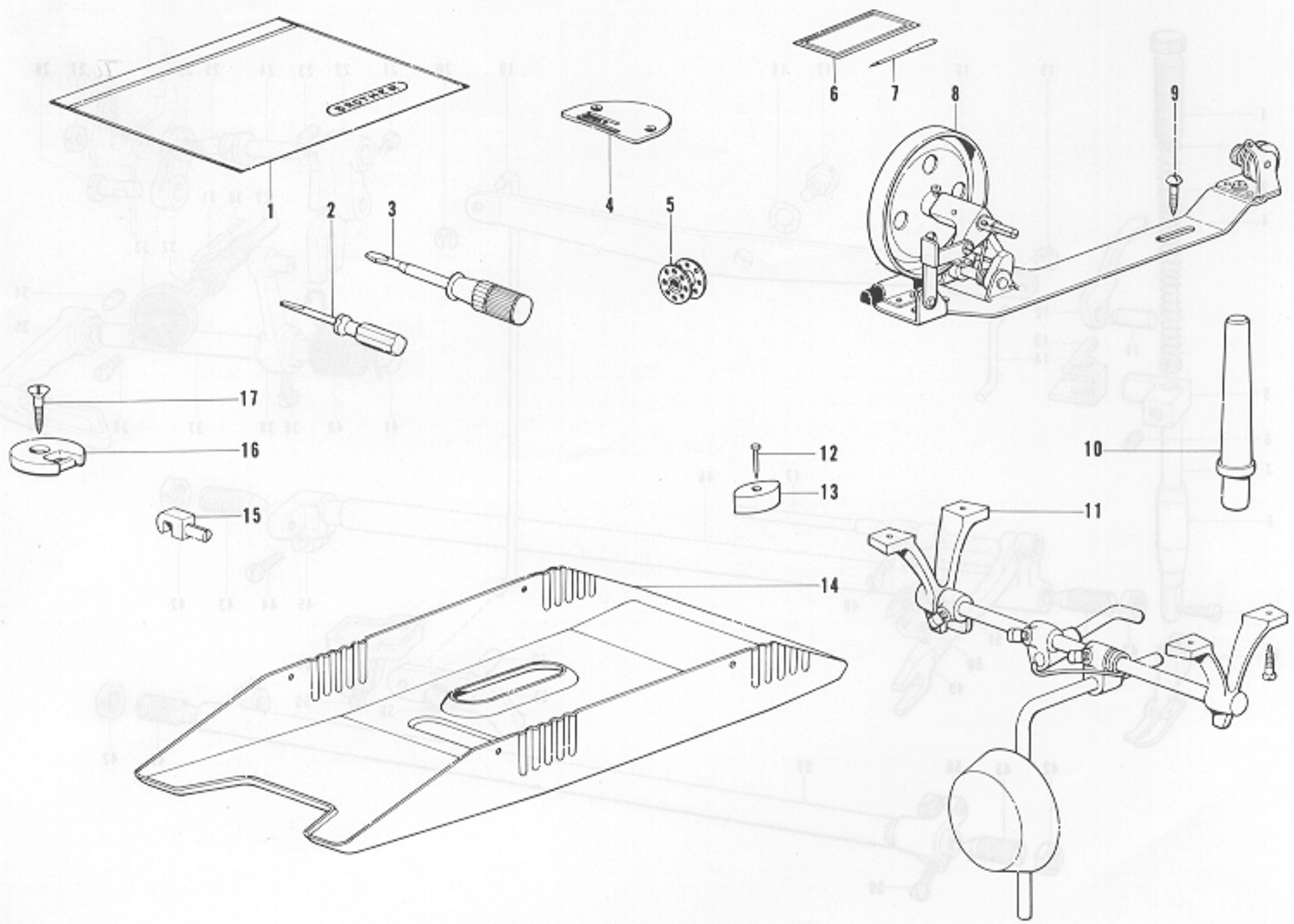
C. Feed Mechanism

Accessories



Ref. No.	Name of Parts	Q'ty	Parts No.	Assembly No.	Ref. No.	Name of Parts	Q'ty	Parts No.	Assembly No.
C-1	Screw	1	141207-001		C-31	Pin	1	100327-001	
C-2	Presser Spring Washer	1	140407-001		C-32	Washer	1	142746-002	
C-3	Presser Spring	1	141209-001		C-33	Feed Length Control	1	148907-001	
C-4	Presser Spring Bar	1	141208-001		C-34	Screw	1	015771-012	
C-5	Presser Bar Bracket	1	142472-001		C-35	Reverse Lever	1	118752-001	
C-6	Screw	1	013760-810		C-36	Screw	1	142747-002	
C-7	Presser Bar	1	111466-001		C-37	Feed Regulator Lever Shaft	1	108541-001	
C-8	Presser Bar Bushing	1	111467-001		C-38	Feed Regulator Lever	1	116954-001	
C-9	Screw	1	001670-814		C-39	Bolt	1	108749-001	
C-10	Presser Foot	1	147328-001		C-40	Feed Regulator Spring	1	116956-001	
C-11	Presser Foot Lifter Stud	1	142475-001		C-41	Screw	1	100511-003	
C-12	Presser Foot Lifter	1	142481-001		C-42	Nut	4	100075-004	Center Screw with Nut 180987-001
C-13	Presser Bar Lifter	1	142473-001		C-43	Center Screw	4	100331-002	
C-14	Knee Lifter Shaft	1	148902-001		C-44	Screw	1	009751-612	Feed Rock Shaft Arm 148908-001
C-15	Stop Ring	1	048030-342		C-45	Feed Rock Shaft Arm	1	148909-001	
C-16	Knee Lifter Lever	1	148903-001		C-46	Feed Rock Shaft	1	148910-001	
C-17	Screw	1	148904-001		C-47	Feed Bar Shaft	1	116957-001	
C-18	Washer	1	109239-001		C-48	Screw	2	104908-001	
C-19	Knee Lifter Connecting Rod	1	148905-001		C-49	Feed Bar	1	116993-001	
C-20	Stop Ring	1	048030-342		C-50	Feed Dog	1	147493-001	
C-21	Screw	1	102627-001	Feed Regulator with Screw 182352-001	C-51	Screw	2	100080-003	
C-22	Feed Regulator	1	117482-001		C-52	Hinge Pin	1	118550-000	
C-23	Screw	1	013781-012		C-53	Knee Lifter Crank	1	143869-001	
C-24	Feed Regulator Stud	1	111491-001		C-54	Lever Pawl Support	1	144560-001	
C-25	Screw	1	145486-001		C-55	Screw	2	009710-812	
C-26	Feed Regulator Link	1	148911-001		C-56	Spring	1	100304-001	
C-27	Nut	1	104689-001		C-57	Feed Lifting Rock Shaft	1	116995-001	
C-28	Feed Regulator Link Shaft	1	148912-001		C-58	Feed Lifting Arm	1	104510-003	Feed Lifting Arm Assembly 117475-003
C-29	Screw	1	100322-001		C-59	Screw	1	009681-612	
C-30	Spring	1	100328-001						

Z. Accessories



Ref. No.	Name of Parts	Q'ty	Parts No.	Assembly No.	Ref. No.	Name of Parts	Q'ty	Parts No.	Assembly No.
Z- 1	Vinyl Bag		122991-001		Z-10	Head Rest		100477-001	
Z- 2	Screw Driver		142443-001		Z-11	Knee Lifter Assembly		110845-001	
Z- 3	Screw Driver		118837-001		Z-12	Nail		109714-000	
Z- 4	Needle Plate		111508-001		Z-13	Head Cushion		116708-001	
Z- 5	Bobbin		117132-001		Z-14	Oil Pan		148922-001	
Z- 6	Needle Bag				Z-15	Hook Hinge		100470-001	
Z- 7	Needle DB x I		100265-019		Z-16	Round Hinge		100468-001	
Z- 8	Bobbin Winder Assembly		117963-001		Z-17	Screw		100469-002	
Z- 9	Screw		100666-002						

* The details of included accessories are subject to change.

* Änderungen in der Aufstellung der mitgelieferten Zubehöre sind vorbehalten.

* Les détails des accessoires inclus sont sujets à des changements.

* Los detalles de los accesorios incluidos pueden variar.

11997-001	1	Feed Bar Shaft	C-47	149904-001	1	Screw	C-17	100339-001	1	Washer	C-18	149909-001	1	Knee Lifter Connecting Rod	C-19	149930-242	1	Stop Ring	C-20	100340-001	1	Screw	C-21	100341-001	1	Feed Regulator	C-22	117482-001	1	Hinge Pin	C-23	149930-242	1	Screw	C-24	111491-001	1	Foot Regulator Stud	C-25	149930-242	1	Screw	C-26	149930-242	1	Feed Regulator Link	C-27	109889-001	1	Nut	C-28	149930-242	1	Feed Regulator Link Shaft	C-29	100352-001	1	Screw	C-30	100353-001	1	Screw	C-31	100354-001	1	Screw	C-32	100355-001	1	Screw	C-33	100356-001	1	Screw	C-34	100357-001	1	Screw	C-35	100358-001	1	Screw	C-36	100359-001	1	Screw	C-37	100360-001	1	Screw	C-38	100361-001	1	Screw	C-39	100362-001	1	Screw	C-40	100363-001	1	Screw	C-41	100364-001	1	Screw	C-42	100365-001	1	Screw	C-43	100366-001	1	Screw	C-44	100367-001	1	Screw	C-45	100368-001	1	Screw	C-46	100369-001	1	Screw	C-47	100370-001	1	Screw	C-48	100371-001	1	Screw	C-49	100372-001	1	Screw	C-50	100373-001	1	Screw	C-51	100374-001	1	Screw	C-52	100375-001	1	Screw	C-53	100376-001	1	Screw	C-54	100377-001	1	Screw	C-55	100378-001	1	Screw	C-56	100379-001	1	Screw	C-57	100380-001	1	Screw	C-58	100381-001	1	Screw	C-59	100382-001	1	Screw	C-60	100383-001	1	Screw	C-61	100384-001	1	Screw	C-62	100385-001	1	Screw	C-63	100386-001	1	Screw	C-64	100387-001	1	Screw	C-65	100388-001	1	Screw	C-66	100389-001	1	Screw	C-67	100390-001	1	Screw	C-68	100391-001	1	Screw	C-69	100392-001	1	Screw	C-70	100393-001	1	Screw	C-71	100394-001	1	Screw	C-72	100395-001	1	Screw	C-73	100396-001	1	Screw	C-74	100397-001	1	Screw	C-75	100398-001	1	Screw	C-76	100399-001	1	Screw	C-77	100400-001	1	Screw	C-78	100401-001	1	Screw	C-79	100402-001	1	Screw	C-80	100403-001	1	Screw	C-81	100404-001	1	Screw	C-82	100405-001	1	Screw	C-83	100406-001	1	Screw	C-84	100407-001	1	Screw	C-85	100408-001	1	Screw	C-86	100409-001	1	Screw	C-87	100410-001	1	Screw	C-88	100411-001	1	Screw	C-89	100412-001	1	Screw	C-90	100413-001	1	Screw	C-91	100414-001	1	Screw	C-92	100415-001	1	Screw	C-93	100416-001	1	Screw	C-94	100417-001	1	Screw	C-95	100418-001	1	Screw	C-96	100419-001	1	Screw	C-97	100420-001	1	Screw	C-98	100421-001	1	Screw	C-99	100422-001	1	Screw	C-100	100423-001	1	Screw
-----------	---	----------------	------	------------	---	-------	------	------------	---	--------	------	------------	---	----------------------------	------	------------	---	-----------	------	------------	---	-------	------	------------	---	----------------	------	------------	---	-----------	------	------------	---	-------	------	------------	---	---------------------	------	------------	---	-------	------	------------	---	---------------------	------	------------	---	-----	------	------------	---	---------------------------	------	------------	---	-------	------	------------	---	-------	------	------------	---	-------	------	------------	---	-------	------	------------	---	-------	------	------------	---	-------	------	------------	---	-------	------	------------	---	-------	------	------------	---	-------	------	------------	---	-------	------	------------	---	-------	------	------------	---	-------	------	------------	---	-------	------	------------	---	-------	------	------------	---	-------	------	------------	---	-------	------	------------	---	-------	------	------------	---	-------	------	------------	---	-------	------	------------	---	-------	------	------------	---	-------	------	------------	---	-------	------	------------	---	-------	------	------------	---	-------	------	------------	---	-------	------	------------	---	-------	------	------------	---	-------	------	------------	---	-------	------	------------	---	-------	------	------------	---	-------	------	------------	---	-------	------	------------	---	-------	------	------------	---	-------	------	------------	---	-------	------	------------	---	-------	------	------------	---	-------	------	------------	---	-------	------	------------	---	-------	------	------------	---	-------	------	------------	---	-------	------	------------	---	-------	------	------------	---	-------	------	------------	---	-------	------	------------	---	-------	------	------------	---	-------	------	------------	---	-------	------	------------	---	-------	------	------------	---	-------	------	------------	---	-------	------	------------	---	-------	------	------------	---	-------	------	------------	---	-------	------	------------	---	-------	------	------------	---	-------	------	------------	---	-------	------	------------	---	-------	------	------------	---	-------	------	------------	---	-------	------	------------	---	-------	------	------------	---	-------	------	------------	---	-------	------	------------	---	-------	------	------------	---	-------	------	------------	---	-------	------	------------	---	-------	------	------------	---	-------	------	------------	---	-------	------	------------	---	-------	------	------------	---	-------	------	------------	---	-------	------	------------	---	-------	-------	------------	---	-------