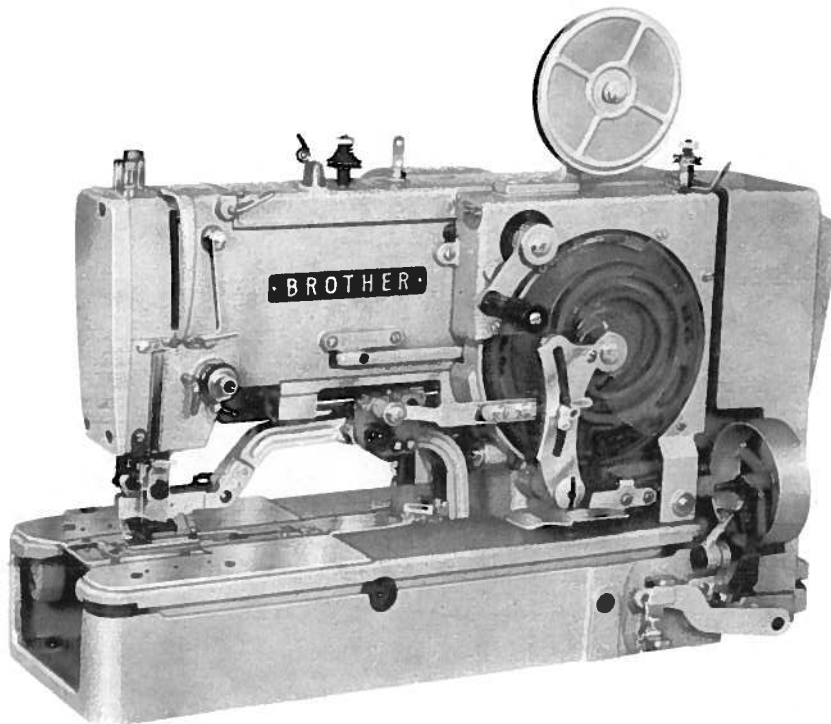


X case for Knipor

PARTS BOOK

FOR

BROTHER LH4-B814-2,-3

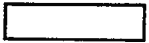



High Speed Buttonhole Sewing Machine

BROTHER INDUSTRIES, LTD.

NAGOYA, JAPAN

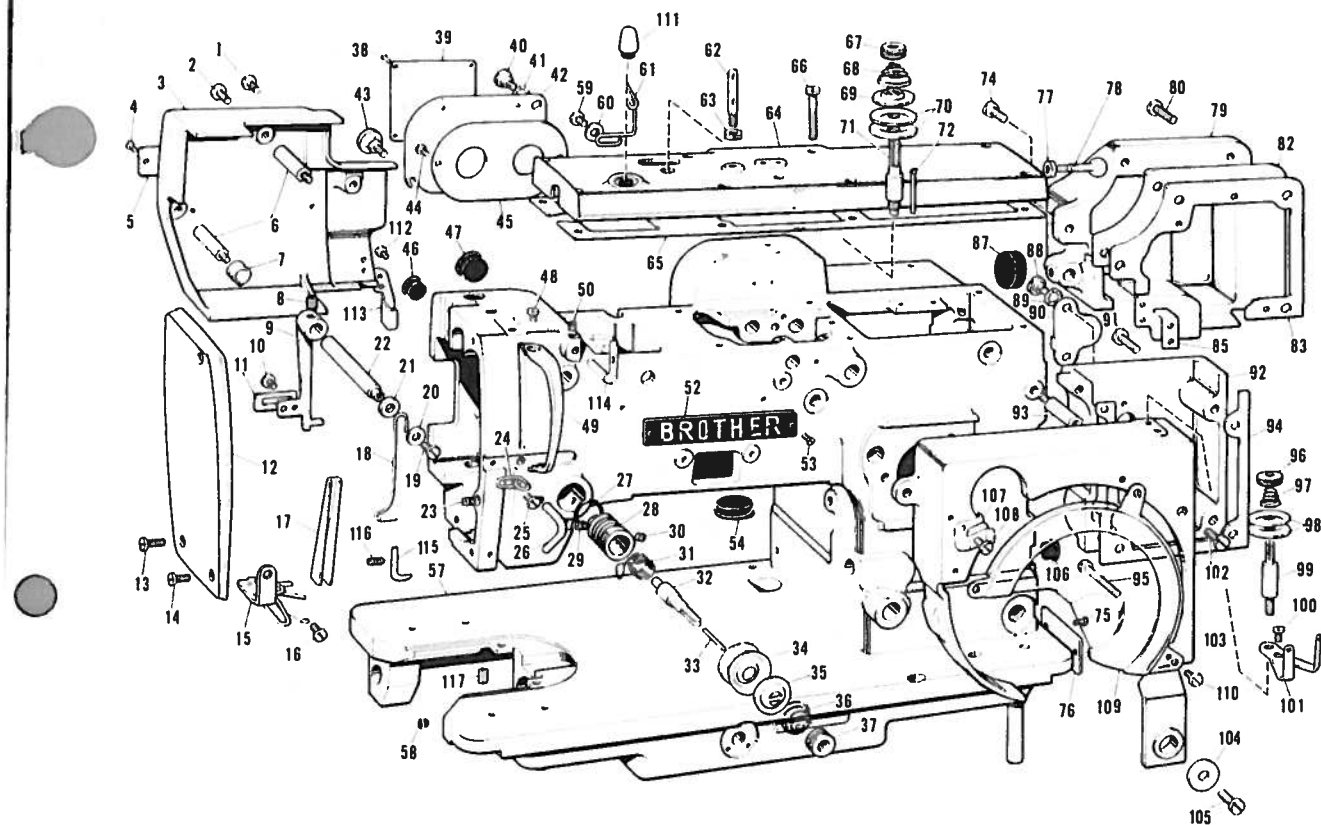
How to use the parts book

1. When the column for the parts number or the parts assembly number is  , please refer to the different parts list on the page 17.
2. When the column for the parts number is  , the parts cannot be supplied. But when the parts number is shown in the column, please order the parts by the parts assembly number so that the parts can be arranged in the from assembled parts.

CONTENTS

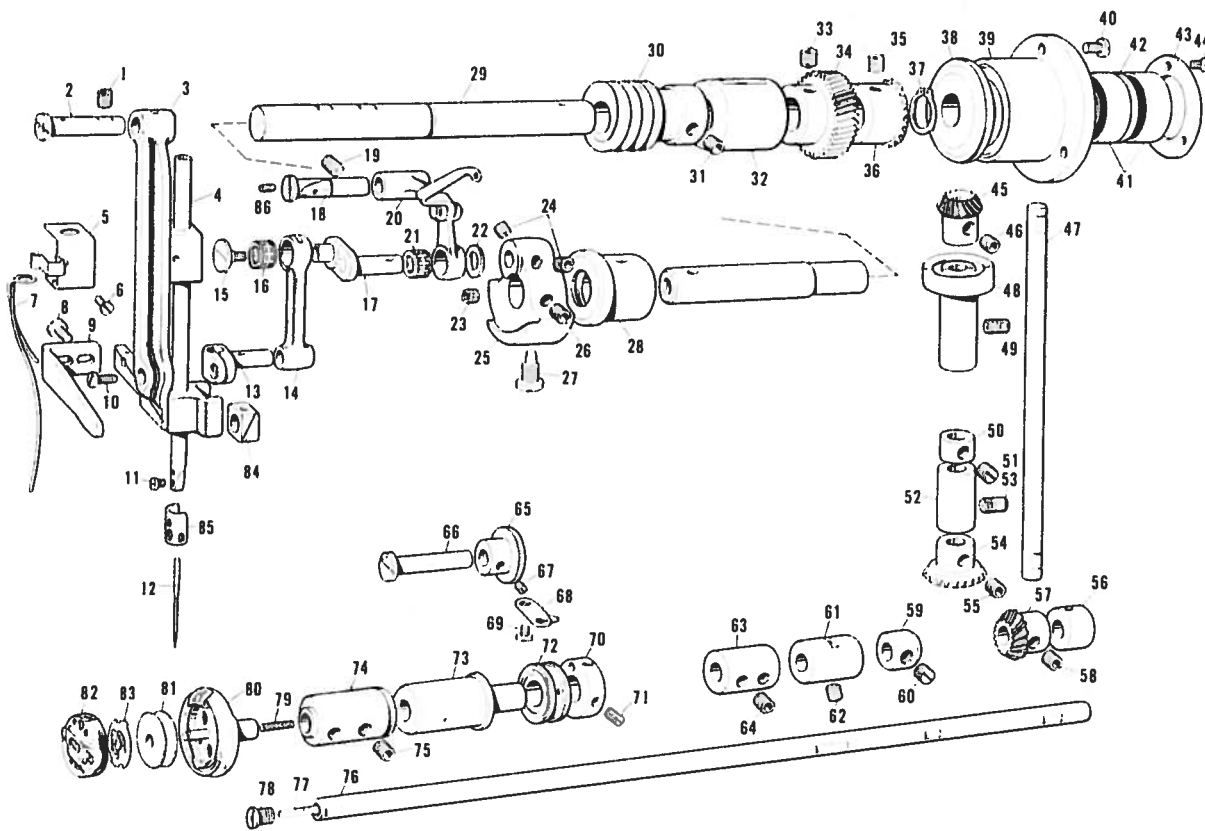
A. Machine Body and Threading	1
B. Upper Shaft, Vertical Shaft and Lower Shaft Assembly	2
C. Clutch Mechanism	3
D. Zigzag Mechanism	4
E. Zigzag Mechanism	5
F. Feed Cam Mechanism	6
G. Feed and Presser Mechanism	7
H. Cutter Mechanism	8
I. Bobbin Winder and Tension Pully Mechanism	9
J. Upper Thread Trimmer Mechanism	10
K. Lower Thread Trimmer Mechanism	11
L. Lubrication	12
M. Transmitter Mechanism	13
N. Parts for LH4-B814-2	14
O. Parts for LH4-B814-3	15
Z. Accessary	16
DIFFERENT PARTS LIST	17
INDEX	18

A. Machine Body and Threading



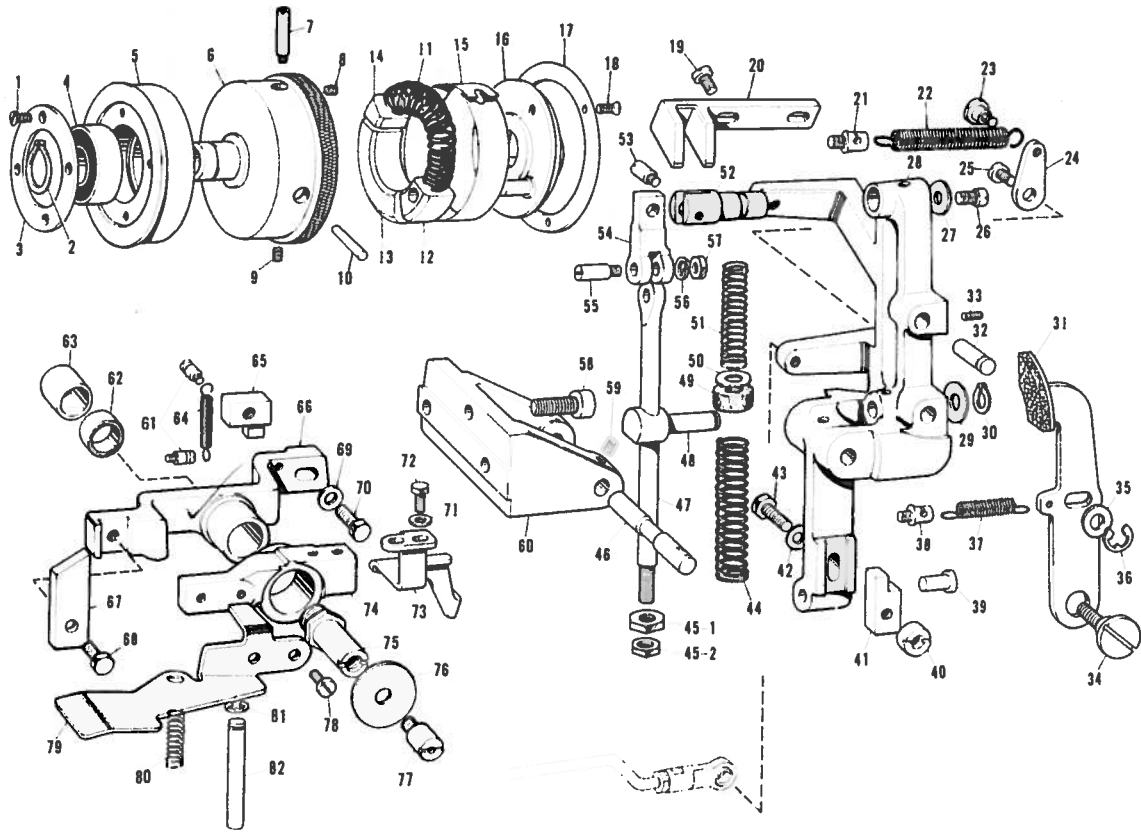
Ref. No.	Name of Parts	Q'ty	Parts No.	Ref. No.	Name of Parts	Q'ty	Parts No.	Ref. No.	Name of Parts	Q'ty	Parts No.
A-1	Screw	2	009681-2-14	A-37	Nut	1	100136-0-01	A-77	Nut	1	102231-0-03
A-2	Screw	1	009682-0-14	A-38	Gear Case Cover Assembly	1	141263-0-01	A-78	Belt Cover Stopper	1	141248-0-01
A-3	Rear Cover	1	141261-0-01	39				A-79	Sub Shaft Cover Upper	1	141249-0-01
A-4	Screw	2		42				A-80	Screw	1	009761-4-13
A-5	Name Plate "Brother"	1		A-38				A-82	Sub Shaft Cover	1	144906-0-00
A-6	Bolt	3	141202-0-01	A-39	Diagram For Numbers of Stitch	1	141265-0-01	A-83	Packing (Large)	1	141252-0-00
A-7	Vinyl Tube	1	117258-0-01	A-42	Gear Case Cover	1		A-85	Packing (Small)	1	142269-0-00
A-8	Screw	1	013700-6-12	A-40	Screw	1	107321-0-01	A-87	Clip	1	116725-0-01
A-9	Cutter Bar fixed Plate	1	141619-0-01	A-41	Washer	1	107017-0-01	A-88	Screw	1	107321-0-01
A-10	Screw	1	101671-0-01	A-43	Screw	1	100008-0-03	A-89	Washer	1	107017-0-01
A-11	Balance	1	141620-0-01	A-44	Screw	2	009670-4-12	A-90	Cap	1	143985-0-01
A-12	Face Plate	1	141260-0-01	A-45	Gear Separation Plate	1	141269-0-01	A-91	Screw	3	009762-0-13
A-13	Screw	2	009681-4-14	A-46	Vinyl Cap	1	101450-0-01	A-92	Sub Shaft Cover Lower	1	143981-0-01
A-14	Screw	1	009681-0-14	A-47	Oil Cap	1	101449-0-01	A-93	Bolt	1	141267-0-01
A-15	Sub Tension Assembly	1	148055-0-01	A-48	Screw	1	009670-5-14	A-95	Screw	1	102023-0-03
A-16	Screw	1	001670-5-14	A-49	Thread Take-up Cover	1	141268-0-01	A-96	Bobbin Winder Tension Control Nut	1	107682-0-01
A-17	Thread Guide	1	141591-0-01	A-50	Screw	1	013680-6-13	A-97	Spring	1	107681-0-01
A-18	Thread Breakage Perceiving Wire	1	141614-0-01	A-52	Name Plate (70)	1		A-98	Disc	2	107680-0-01
A-19	Screw	1	001670-6-12	A-53	Screw	2		A-99	Stud	1	107678-0-01
A-20	Washer	1	025350-3-32	A-54	Oil Cap	2	142743-0-00	A-100	Screw	1	107407-0-02
A-21	Collar	1	141617-0-01	A-57	Arm Bed	1		A-101	Bobbin Winder Thread Guide	1	141600-0-01
A-22	Thread Breakage Perceiving Wire Bar	1	141616-0-01	A-58	Oil Cap	1	101833-0-01	A-102	Screw	2	009681-2-14
A-23	Screw	1	013711-0-10	A-59	Screw	1	100644-0-04	A-103	Cam Cover	1	141266-0-01
A-24	Arm Thread Guide (Upper)	2	142735-0-01	A-60	Washer	1	025680-2-34	A-104	Washer	1	146682-0-02
A-25	Screw	2	142751-0-02	A-61	Thread Guide	1	141593-0-01	A-105	Screw	1	100644-0-01
A-26	Tension Thread Guide	1	142733-0-01	A-62	Thread Retainer (Upper)	1	141590-0-01	A-106	Vinyl Cap	1	101450-0-01
A-27	Packing	1	141291-0-01	A-63	Nut	1	021760-3-04	A-107	Spring	1	147317-0-01
A-28	Upper Tension Regulator Bracket	1	144741-0-01	A-64	Top Cover	1	141243-0-01	A-108	Screw	1	009689-4-12
A-29	Screw	1	100102-0-02	A-65	Packing	1	141244-0-00	A-109	Sub Cam Cover	1	143145-0-01
A-30	Screw	1	009350-0-02	A-66	Screw	8	102124-0-03	A-110	Screw	3	001670-5-14
A-31	Thread Take-up Spring	1	100399-0-01	A-67	Nut	1	100136-0-01	A-111	Oil Gauge Window	1	143713-0-01
A-32	Tension Stud	1	100398-0-01	A-69	Tension Disc Washer	1	100134-0-01	A-112	Screw	2	009680-6-12
A-33	Tension Release Pin	1	100100-0-00	A-70	Tension Disc	2	145446-0-01	A-113	Cover	1	143911-0-01
A-34	Tension Disc	2	145446-0-01	A-71	Upper Tension Stud	1	107602-0-01	A-114	Thread Retainer	1	145961-0-01
A-35	Tension Disc Washer	1	100134-0-01	A-72	Tension Release pin	1	107612-0-01	A-115	Needle Bar Position Pointer	1	148682-0-01
A-36	Tension Spring	1	107606-0-01	A-74	Screw	3	009762-0-13	A-116	Screw	1	103978-0-02
				A-75	Model Plate Pin	2		A-117	Screw	2	013760-7-13
				A-76	Model Plate	1					

B. Upper Shaft, Vertical Shaft and Lower Shaft Assembly



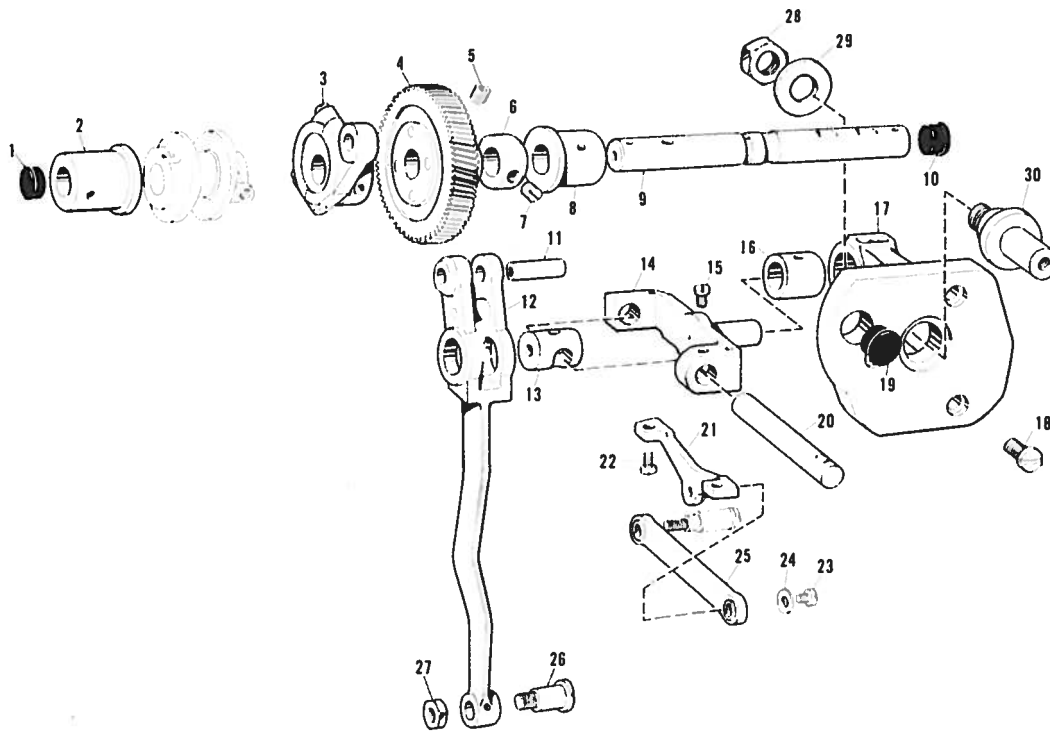
Ref. No.	Name of Parts	Q'ty	Parts No.	Assembly No.	Ref. No.	Name of Parts	Q'ty	Parts No.	Assembly No.
B-1	Screw	1	014770-6-22		B-41	Ball Bearing	2	072620-2-00	
B-2	Stud	1	141295-0-01		B-42	Washer	1	141275-0-01	
B-3	Needle Bar Support	1		142736-0-01	B-43	Cap	1	141276-0-01	
B-81	Slide Block	1	142737-0-01		B-44	Screw	3	102843-0-01	
B-86	Screw	1	013679-4-12		B-45	Vertical Shaft	1	141297-0-01	
B-5	Wick Holder	1	141682-0-01		B-46	Vertical Shaft Upper Bushing	1	141298-0-00	
B-6	Screw	1	009609-4-12		B-49	Screw	1	013761-4-10	
B-7	Wick	1	141681-0-00		B-50	Lower Shaft Collar	1		
B-8	Screw	2	105407-0-03		B-51	Screw	2	101700-0-01	181995-0-01
B-9	Needle Bar Support Guide	1	141296-0-01		B-52	Vertical Shaft Lower Bushing	1	142709-0-00	
B-11	Screw	1	140553-0-01		B-53	Screw	1	013761-4-10	
B-12	Needle DP	1			B-54	Vertical Shaft Lower Gear	1		
B-10	Set Screw	1	140004-0-01		B-55	Screw	2	014770-6-22	181083-0-01
B-13	Needle Bar Clamp	1			B-57	Lower Shaft Gear	1		
B-14	Needle Bar Crank Rod	1		147640-0-01	B-58	Screw	2	014770-6-22	
B-15	Screw	1			B-56	Lower Shaft Bushing (Right)	1	141403-0-00	
B-16	Needle Roller Bearing	1			B-59	Set Collar	1		118759-0-01
B-17	Needle Bar Crank	1			B-60	Screw	2	014770-6-22	
B-18	Stud	1			B-61	Lower Shaft Bushing (Intermediate)	1	141305-0-00	
B-20	Thread Take-up Lever	1			B-62	Screw	1	013771-4-10	
B-21	Needle Roller Bearing	2			B-63	Collar (Left)	1	141304-0-01	
B-19	Screw	1	014770-6-22		B-64	Screw	4	014770-6-22	
B-22	Washer	1	110367-0-01		B-65	Oil Adjusting Knob	1	142582-0-01	
B-23	Screw	1	101700-0-01		B-66	Oil Adjusting Stud	1	142408-0-01	
B-24	Screw	1	014770-6-22		B-67	Screw	2	013680-6-12	
B-25	Counter Weight	1	141290-0-00		B-68	Ratchet	1	109862-0-01	
B-26	Screw	1	014770-6-22		B-69	Screw	2	009670-5-12	
B-27	Screw	1	100250-0-01		B-70	Collar	1	109183-0-01	
B-28	Upper Shaft Bushing (Left)	1	141272-0-01		B-71	Screw	2	013679-7-12	
B-29	Upper Shaft	1	141271-0-01		B-72	Oil Adjusting Ring	1	142407-0-01	
B-30	Worm	1	141367-0-01		B-73	Lower Shaft Bushing (L ^s)	1	146355-0-01	
B-31	Screw	2	014770-6-22		B-74	Collar	1		
B-32	Upper Shaft Bushing (Intermediate)	1	141273-0-00		B-75	Screw	4	143793-0-01	143933-0-01
B-33	Screw	2	014770-6-22		B-76	Lower Shaft	1		
B-34	Speed Reduction Gear	1	141309-0-00		B-77	Felt	1	142744-0-01	
B-35	Screw	2	014770-6-22		B-78	Screw	1	109173-0-01	
B-36	Upper Shaft Gear	1		181082-0-01	B-79	Felt	1	147985-0-01	
B-45	Vertical Shaft Gear	1			B-80	Rotary Hook Assembly	1	143986-1-01	
B-46	Screw	2	014770-6-22		B-81	Bobbin	1	146025-0-01	
B-37	Stop Ring	1	048150-1-40		B-82	Bobbin Case Assembly	1	107097-1-01	
B-38	Oil Rejector	1	141277-0-00		B-83	Bobbin Spring	1	148054-0-01	
B-39	Bearing Case	1	141274-0-00		B-4	Needle Bar	1	148052-0-01	141293-1-01
B-40	Screw	3	009681-2-12		B-85	Needle Bar	1	148053-0-01	

C. Clutch Mechanism



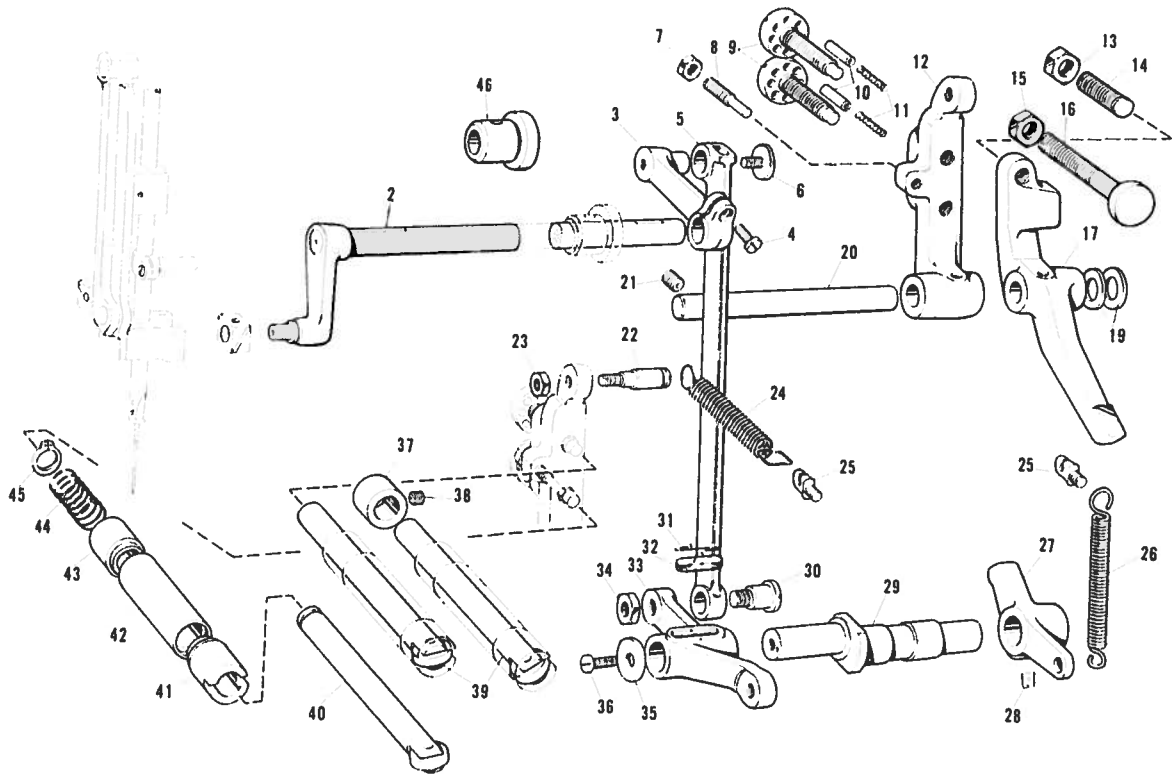
Ref. No.	Name of Parts	Q'ty	Parts No.	Assembly No.	Ref. No.	Name of Parts	Q'ty	Parts No.	Assembly No.
C-1	Screw	4	102843-0-01		C-43	Bolt	1	017782-5-12	
C-2	Stop Ring	1	048250-1-10		C-44	Spring (C)	1	147639-0-01	
C-3	Bearing Cap (Large)	1	141279-0-01		C-45-1	Nut	1	021860-2-02	
C-4	Bearing 6003v	1	072600-5-60		C-45-2	Nut	1	100075-0-01	
C-5	Idle Pulley	1	141278-0-01		C-46	Clutch Lever Shaft	1	141558-0-01	
C-6	Pulley	1	141280-0-01		C-47	Stopper Bar	1	141551-0-01	
C-7	Screw	1	141282-0-01		C-48	Bar Clamp	1	115552-0-01	
C-8	Screw	1	013670-7-12		C-49	Spring Felt	1	115550-0-01	
C-9	Screw	1	014770-6-22		C-50	Washer	1	025100-1-32	
C-10	Pin	1	142297-0-01		C-51	Spring (B)	1	115551-0-01	
C-11	Plunge Spring	1	141283-0-01		C-52	Clutch Stopper Stud	1	115542-0-01	
C-12	Block for Pulley Stop Cam	1	141285-0-01		C-53	Screw	1	115544-0-01	
C-13	Plunge Spring Supporter	1	141284-0-00		C-54	Clutch Stopper	1	115545-0-01	
C-14	Block for Pulley	1	141281-0-01		C-55	Screw	1	115546-0-01	
C-15	Pulley Inside Cover	1	142751-0-01		C-56	Washer	1	028050-2-10	
C-16	Stop Cam Assembly	1	141286-0-01		C-57	Nut	1	021710-2-02	
C-17	Cap for Stop Cam	1	141289-0-01		C-58	Bolt	3	018082-5-22	
C-18	Screw	3	117318-0-01		C-59	Screw	1	014770-6-22	
C-19	Screw	2	009761-0-12		C-60	Clutch Lever Bracket	1	111557-0-01	
C-20	Belt Shifter	1	141556-0-01		C-61	Sustainer	2	111550-0-01	
C-21	Spring Hook	1	141334-0-01		C-62	Bushing	1	142473-0-00	
C-22	Clutch Return Spring	1	141559-0-01		C-63	Bushing	1	142372-0-00	181708-0-01
C-23	Screw	1	115559-0-02		C-64	Stop Lever	1		
C-24	Adjusting Plate	1	115558-0-02		C-65	Stop Lever Spring	1	141549-0-01	
C-25	Screw	1	009761-0-12		C-66	Clutch Claw (A)	1	141548-0-01	
C-26	Screw	1	009761-2-12		C-67	Stop Cam Segment	1	141542-0-01	
C-27	Washer	1	025060-3-32		C-68	Bolt	1	017761-4-12	
C-28	Clutch Lever	1	146041-0-01		C-69	Washer	1	118735-0-02	
C-29	Washer	1	025100-1-32		C-70	Bolt	1	017781-4-12	
C-30	Stop Ring	1	048100-1-42		C-71	Washer	2	023680-2-34	
C-31	Brake Lever Assembly	1	142755-0-01		C-72	Bolt	2	017681-0-11	
C-32	Brake Lever Pin	1	142214-0-01		C-73	Retainer	1	141703-0-01	
C-33	Screw	1	013760-8-12		C-74	Emergency Stop Supporter	1	141700-0-01	
C-34	Screw	1	141953-0-01		C-75	Emergency Stop Lever Shaft	1	141618-0-01	
C-35	Washer	1	107153-0-02		C-76	Washer	1	141701-0-01	
C-36	Stop Ring	1	018070-3-42		C-77	Screw	1	141702-0-01	
C-37	Brake Spring	1	142771-0-01		C-78	Screw	2	06407-0-02	
C-38	Spring Hook	1	141334-0-01		C-79	Emergency Stop Lever	1	141698-0-01	
C-39	Clutch Lever Pin	1	141555-0-01		C-80	Spring	1	141699-0-01	
C-40	Emergency Stop Joint	1	141701-0-01		C-81	Stop Ring	1	048070-3-42	
C-41	Clutch Claw (B)	1	141553-0-01		C-82	Belt Shifter Bar	1	141574-0-01	
C-42	Washer	1	118735-0-02						

D. Zigzag Mechanism



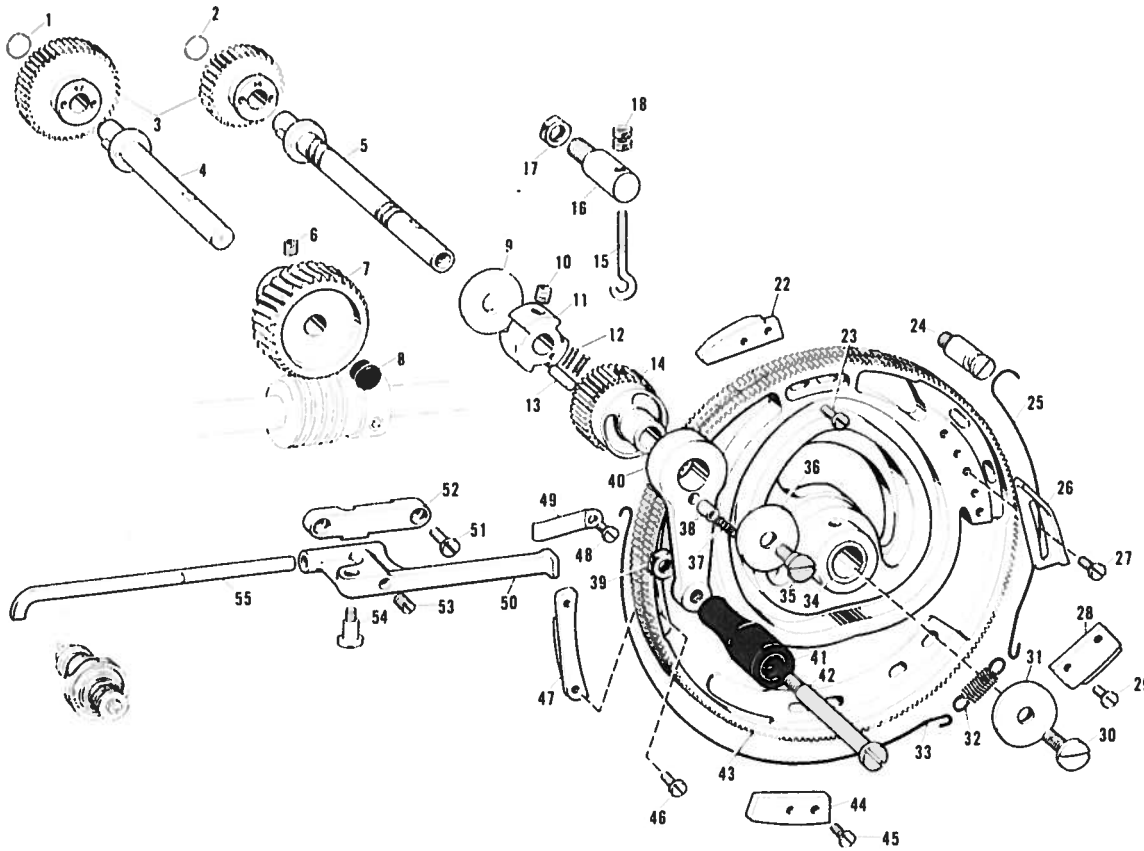
Ref. No.	Name of Parts	Q'ty	Parts No.	Assembly No.	Ref. No.	Name of Parts	Q'ty	Parts No.	Assembly No.
D-1	Oil Cap	1	104119-0-01	181901-0-01	D-20	Zigzag Adjusting Shaft	1		141401-0-01
D-2	Sub Shaft Bushing (Left)	1	141311-0-01		D-17	Feed Cam Shaft Bracket	1		
D-4	Sub Shaft Gear	1	141313-0-01		D-28	Nut	1	021910-3-02	
D-5	Screw	2	014770-6-22		D-29	Washer	1	025900-2-32	
D-6	Collar	1			D-30	Feed Cam Shaft	1		
D-7	Set Screw	2	013760-8-10		D-16	Bushing	1	141404-0-00	
D-8	Sub Shaft Bushing (Right)	1	141312-0-00		D-18	Screw	3	009761-2-12	
D-9	Sub Shaft	1	141310-0-01		D-19	Oil Cap	1	104821-0-01	
D-10	Oil Cap	1	104119-0-01		D-21	Zigzag Adjusting Link Mount	1	141328-0-01	
D-3	Zigzag Cam	1			D-22	Screw	2	009680-7-13	
D-11	Pin	1	141326-0-01		D-23	Screw	1	009670-6-12	
D-12	Zigzag Adjusting Ring Connector	1			D-24	Washer	1	102707-0-02	
D-13	Zigzag Adjusting Ring	1			D-25	Zigzag Adjusting Link	1	141329-0-01	
D-14	Zigzag Adjusting Bracket	1			D-26	Screw	1	141344-0-01	
D-15	Screw	1	104908-0-02		D-27	Nut	1	403388-0-01	

E. Zigzag Mechanism



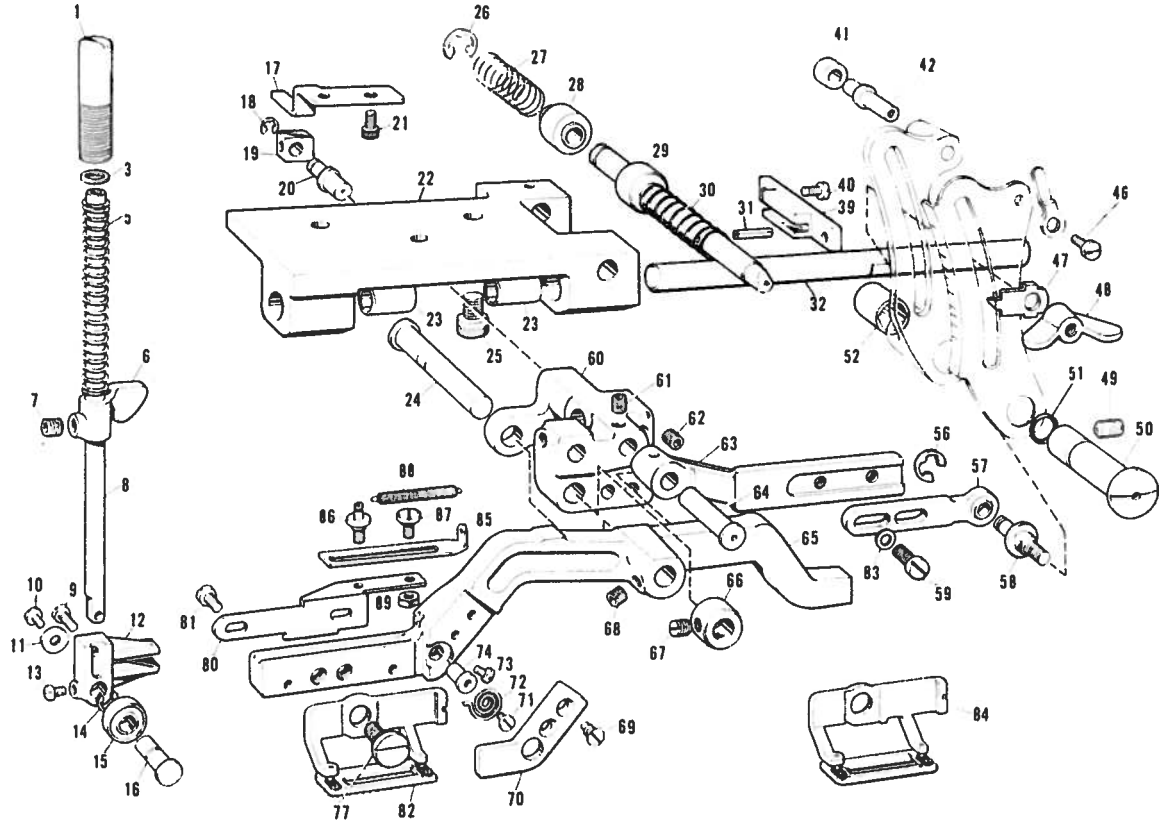
Ref. No.	Name of Parts	Q'ty	Parts No.	Assembly No.	Ref. No.	Name of Parts	Q'ty	Parts No.	Assembly No.
E-2	Zigzag Connecting Lever (B)	1	141348-0-01		E-25	Spring Hook	2	141334-0-01	
E-3	Zigzag Connecting Lever (A)	1	141347-0-01		E-26	Spring	1	141358-0-01	
E-4	Screw	1	009711-4-13		E-27	Stopper	1	141357-0-00	
E-5	Zigzag Connecting Rod	1	141346-0-01		E-28	Screw	2	014760-6-22	
E-6	Screw	1	100511-0-03		E-29	Zigzag Eccentric Shaft	1	141341-0-01	
E-7	Nut	1	106588-0-01		E-30	Screw	1	141315-0-01	
E-8	Screw	1	141339-0-01		E-31	Clip	1	116795-0-00	
E-9	Zigzag Adjusting Screw	2	141336-0-01		E-32	Pin	1	117598-0-00	
E-10	Pin	2	141337-0-01		E-33	Zigzag Eccentric Shaft Link	1	141342-0-00	
E-11	Spring	2	141338-0-01		E-34	Nut	1	303388-0-01	
E-12	Zigzag Adjusting Lever	1	141335-0-00		E-35	Washer	1	141343-0-02	
E-13	Nut	1	105812-0-01		E-36	Screw	1	009761-2-12	
E-14	Screw	1	141355-0-01		E-37	Collar	1	141351-0-01	
E-15	Nut	1	105812-0-02		E-38	Screw	1	014770-6-22	
E-16	Screw	1	141356-0-01		E-39	Zigzag Connecting Shaft	2	141359-0-01	
E-17	Zigzag Position Changing Lever	1	141351-0-00		E-40	Bar Tack Connecting Shaft	1	141659-0-01	
E-19	Washer	2	110191-0-01		E-41	Bushing (Right)	3	141716-0-00	
E-20	Zigzag Adjusting Lever Shaft	1	141340-0-01		E-42	Collar	2	141366-0-01	
E-21	Screw	1	013760-6-12		E-43	Bushing (Left)	2	141365-0-00	
E-22	Pin	1	141332-0-01		E-44	Spring	1	141363-0-01	
E-23	Nut	1	106588-0-01		E-45	Stop Ring	1	048110-1-42	
E-24	Spring	1	141333-0-01		E-46	Bushing	1	147155-0-00	

F. Feed Cam Mechanism



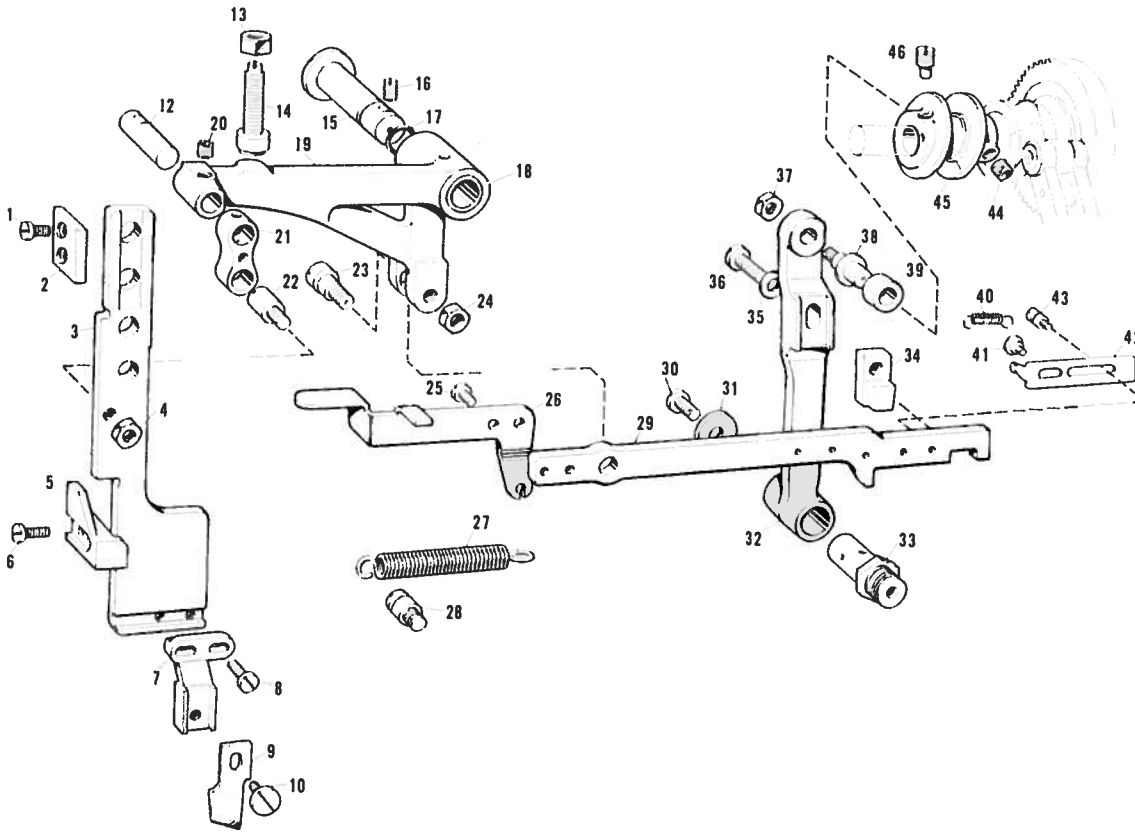
Ref. No.	Name of Parts	Q'ty	Part No.	Assembly No.	Ref. No.	Name of Parts	Q'ty	Part No.	Assembly No.
F-1	Gear Indicator R	1	142272-0-01		F-45	Screw	2	107407-0-03	
F-2	Gear Indicator L	1	142273-0-01		F-46	Screw	4	009681-2-12	
F-3	Gear	1			F-47	Bar Tack Cam Segment	2	141445-0-01	
F-4	Worm Wheel Shaft	1	141369-0-01		F-48	Hook	1	141413-0-01	
F-5	Gear Shaft	1	141714-0-01		F-49	Cam Brake Wire B	1	141410-0-01	
F-6	Screw	2	014770-6-22		F-50	Screw	1	141408-0-01	
F-7	Worm Wheel	1	141368-0-00		F-51	Washer	1	141400-0-01	
F-8	Oil Cap	1	104821-0-01		F-52	Spring	1	141411-0-01	
F-9	Washer	1	141394-0-01		F-53	Cam Brake Wire A	1	141409-0-01	
F-10	Screw	2	014760-6-22		F-54	Bushing	1	142375-0-00	
F-11	Free Wheel Cam	1			F-55	Screw	1	142702-0-01	
F-12	Spring	6	141392-0-01	141389-0-01	F-56	Washer	1	141400-0-01	
F-13	Pin	3	141393-0-01		F-57	Spring	1	141397-0-01	
F-14	Free Wheel Gear	1			F-58	Pin	1	141396-0-01	
F-15	Adjusting Hook	1	140947-0-01		F-59	Nut	1	021780-3-03	
F-16	Cam Brake Hook Bracket	1	141412-0-01		F-60	Handle Lever	1	141395-0-01	
F-17	Nut	1	106147-0-01		F-61	Handle	1	141398-0-01	
F-18	Nut	2	021400-1-03		F-62	Handle Shaft	1	141399-0-01	
F-22	Thread Tension Release	1	143944-0-01		F-48	Screw	1	009670-5-12	
F-23	Screw	2	009681-2-12		F-49	Spring Plate	1	142258-0-01	
F-26	Stop Cam Segment (Large)	1	141446-0-01		F-50	Thread Release Lever	1	141596-0-01	
F-27	Screw	2	009681-0-12		F-51	Screw	2	009681-0-14	
F-28	Cutter Segment	1	141448-0-01		F-52	Thread Release Lever Bracket	1	141599-0-01	
F-29	Screw	2	107407-0-03	143942-0-01	F-53	Screw	1	013760-8-12	
F-43	Feed Cam	1			F-54	Screw	1	141598-0-01	
F-44	Thread Tension Release Segment	1	143943-0-01		F-55	Thread Release Pin	1	141597-0-01	

G. Feed and Presser Mechanism



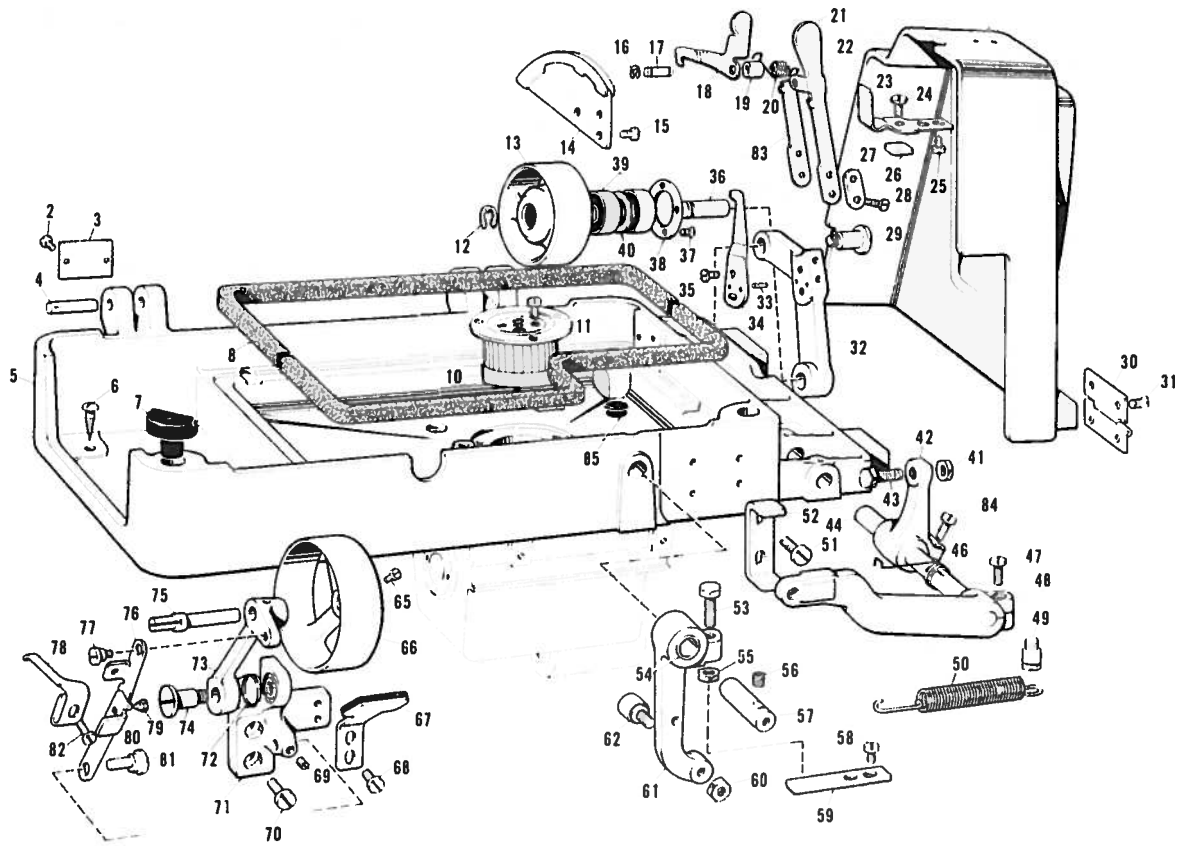
Ref. No.	Name of Parts	Qty	Parts No.	Assembly No.	Ref. No.	Name of Parts	Qty	Parts No.	Assembly No.
G-1	Stopper Bar	1	141451-0-01		G-17	Length Feed Indicator	1	141419-0-01	
G-3	Washer	1	100281-0-01		G-18	Wing Nut	1	118262-0-02	
G-5	Presser Bar Spring (Large)	1	141451-0-01		G-19	Screw	1	013761-0-12	
G-6	Presser Bar Bracket	1	141450-0-01		G-20	Length Feed Adjusting Lever Shaft	1	141417-0-01	
G-7	Screw	1	011770-6-22		G-21	Rack	1	111697-0-00	
G-8	Presser Bar	1	141449-0-01		G-22	Bushing	2	142372-0-00	
G-9	Screw	1	009681-0-12		G-23	Clip Ring	1	018050-3-42	
G-10	Screw	1	100305-0-02		G-24	Feed Lever B	1	141422-0-01	
G-11	Washer	1	025350-3-32		G-25	Feed Lever Joint	1	147945-0-01	
G-12	Presser Bar Roller Bracket	1			G-26	Screw	2	009761-0-14	
G-13	Screw	1	001670-5-12	141455-0-01	G-27	Feed Arm Bracket	1	141430-0-01	
G-14	Stop Ring	1	018060-3-42		G-28	Screw	1	014770-6-22	
G-15	Bearing	1			G-29	Feed Lever A	1	141421-0-01	
G-16	Roller Stud	1			G-30	Stud	1	141426-0-01	
G-17	Stopper Plate	1	141507-0-01		G-31	Screw	1	014770-6-22	
G-18	Stop Ring	1	018010-3-42		G-32	Feed Lever A	1	141421-0-01	
G-19	Feed Bar Guide Block	1	118215-0-01		G-33	Stud	1	141426-0-01	
G-20	Stud	1	141431-0-01		G-34	Length Feed Arm	1	141433-0-01	
G-21	Bolt	2	018100-8-22		G-35	Set Collar	1		
G-22	Feed Guide Shaft Bracket	1	141427-0-01		G-36	Screw	2	101706-0-03	113990-0-01
G-23	Bushing	2	142371-0-00		G-37	Screw	1	011770-6-22	
G-24	Feed Arm Shaft	1	141431-0-01		G-38	Screw	2	100032-0-03	
G-25	Bolt	3	018081-3-22		G-39	Guide Plate	1	141410-0-01	
G-26	Stop Ring	1	018080-3-42		G-40	Screw	1	009969-3-13	
G-27	Cutter Clutch Spring (B)	1	141488-0-01		G-41	Upper Clamping Foot Spring	1	141412-0-01	
G-28	Cutter Clutch	1	141487-0-01		G-42	Screw	1	013689-1-12	
G-29	Cutter Clutch Bar	1	141481-0-01		G-43	Stud	1	141411-0-01	
G-30	Cutter Clutch Spring (A)	1	141485-0-01		G-44	Screw	1	141429-0-01	
G-31	Pin	1	017301-8-12		G-45	Cutter Clutch Bar Guide	1	141486-0-01	
G-32	Feed Guide Shaft	1	141429-0-01		G-46	Screw	2	009670-6-13	
G-33	Cutter Clutch Bar Guide	1	141486-0-01		G-47	Thread Scissor Guide	1	141515-0-01	
G-34	Screw	2	009670-8-12		G-48	Thread Tinning Supporter	1	140003-0-01	
G-35	Roller	1	107550-0-02		G-49	Screw	1	140022-0-01	
G-36	Roller Stud	1	141420-0-01		G-50	Screw	1	140001-0-01	113990-0-01
G-37	Screw	1	009670-6-13		G-51	Spring	1	118352-0-01	
					G-52	Nut	2	021640-1-02	

H. Cutter Mechanism



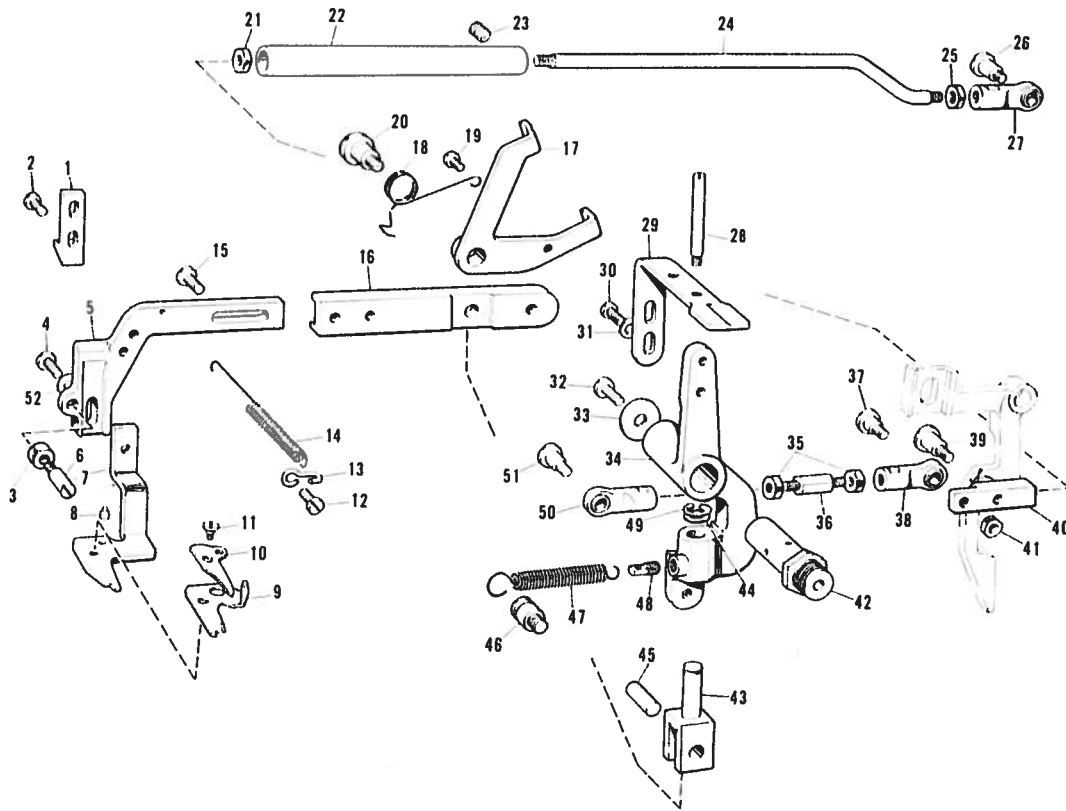
Ref. No.	Name of Parts	Q'ty	Parts No.	Assembly No.	Ref. No.	Name of Parts	Q'ty	Parts No.	Assembly No.
11- 1	Screw	2	009680-7-12	142724-0-01	11-25	Screw	2	009680-8-14	181250-0-01
11- 2	Cutter Base Guide (Upper)	1	141478-0-01		11-26	Cutter Stop Lever	1	141468-0-01	
11- 3	Cutter Base	1	141477-0-01		11-27	Spring	1	141471-0-01	
11- 7	Cutter Holder	1	107407-0-02		11-28	Spring Hook	1	141472-0-01	
11- 8	Screw	2	107407-0-02		11-29	Cutter Lever	1	141467-0-01	
11- 4	Nut	1	021760-3-04		11-30	Screw	1	009761-2-12	
11- 5	Cutter Base Guide (Lower)	1	141479-0-01		11-31	Washer	1	141343-0-02	
11- 6	Screw	2	009681-4-12		11-32	Cutter Connecting Lever	1	141462-0-01	
11- 9	Cutter	1			11-33	Stud	1	141463-0-01	
11-10	Screw	1	115503-0-01		11-34	Cutter Connecting Slide Block	1	141466-0-01	
11-12	Stud	1	141474-0-01		11-35	Washer	1	118735-0-02	
11-13	Nut	1	022870-1-04		11-36	Screw	1	009771-8-12	
11-14	Cutter Base Lifter Stopper	1	141481-0-01		11-37	Nut	1	106588-0-01	
11-15	Length Feed Adjusting Lever Shaft	1	141417-0-01		11-38	Stud	1	141465-0-01	
11-16	Screw	1	013781-0-12		11-39	Roller	1	141461-0-01	
11-17	Packing	1	141697-0-00		11-40	Spring	1	120790-0-01	
11-18	Lever	1	142376-0-00		11-41	Screw	2	112144-0-01	
11-19	Cutter Base Lifter	1	141473-0-01		11-42	Clutch	1	142779-0-01	
11-20	Screw	1	014770-6-22		11-43	Spring Hook	1	107126-0-01	
11-21	Cutter Base Connecting Link	1	141475-0-01		11-44	Screw	1	014770-6-22	
11-22	Screw	1	141476-0-01		11-45	Cutter Cam	1		
11-23	Screw	1	141469-0-01		11-46	Screw	1	141717-0-01	
11-24	Nut	1	110744-0-02						

I. Bobbin Winder and Tension Pully Mechanism



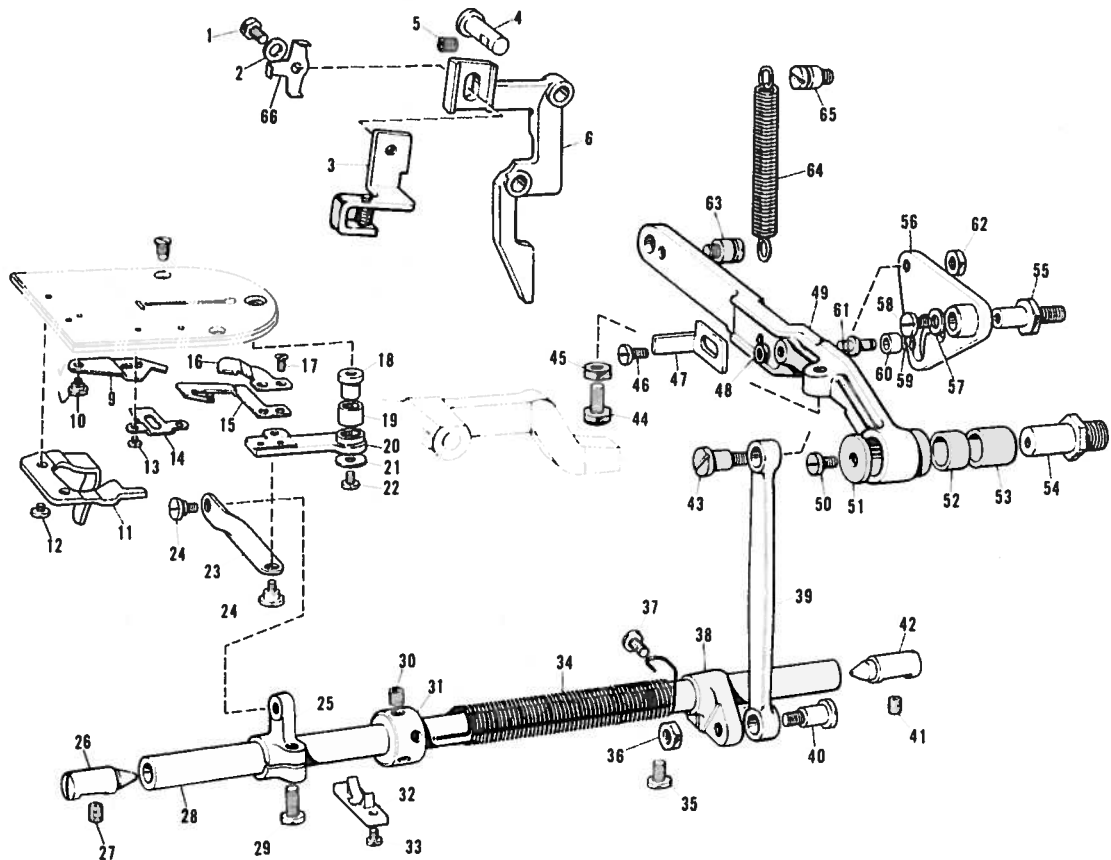
Ref. No.	Name of Parts	Qty	Parts No.	Assembly No.	Ref. No.	Name of Parts	Qty	Parts No.	Assembly No.
1-2	Screw	1	009680-7-12		1-42	Clutch Starting Lever	1	146955-0-01	
1-3	Head Hook Plate	2	142412-0-01		1-43	Bolt	1	115585-0-01	
1-4	Pin	2	141257-0-01		1-44	Clutch Starting Lever Shaft	1	146960-0-01	
1-5	Head Base	1	141259-0-01		1-84	Screw	2	009711-4-12	
1-6	Screw	1	101125-0-01		1-46	Clutch Starting Lever Spring	1	141562-0-01	
1-7	Head Cushion	2	141258-0-01		1-47	Screw	1	009761-4-13	
1-8	Cork Packing	2	114747-0-01		1-48	Clutch Starting Lift Lever	1	146958-0-01	
1-10	Oil Filter Assembly	1	146203-0-01		1-49	Spring Hook	1	141472-0-01	
1-11	Screw	3	009680-7-12		1-50	Spring	1	141581-0-01	
1-12	Stop Ring	1	018090-3-42		1-51	Screw	2	009761-2-11	
1-13	Tension Pulley	1			1-52	Stopper	1	141561-0-01	
1-16	Stop Ring	2	018090-3-42		1-53	Bolt	1	115585-0-01	
1-17	Stop	1			1-54	Bushing	2	142373-0-00	
1-18	Tension Pulley Pawl	1	141628-0-01		1-55	Nut	1	032810-3-03	
1-19	Collar	1			1-56	Screw	1	014770-6-22	
1-20	Spring	1	141630-0-01		1-57	Belt Shift Lower Pin	1	141579-0-01	
1-21	Tension Pulley Lever	1			1-58	Screw	2	009680-8-12	
1-27	Washer	1	141627-0-01		1-59	Stopper Plate	1	141580-0-01	
1-28	Screw	2	007671-2-12		1-60	Nut	1	021759-1-03	
1-29	Screw	1			1-61	Belt Shift Lever	1	141575-0-01	
1-32	Tension Pulley Arm	1		141621-0-01	1-62	Roller Stud	1		
1-33	Pin	2	017250-8-42		1-63	Roller	1		141576-0-01
1-34	Tension Pulley Indicator	1	141625-0-01		1-65	Screw	1	013089-4-12	
1-35	Screw	2	009670-6-12		1-66	Bobbin Winder Wheel	1		
1-36	Tension Pulley Shaft	1			1-67	Bobbin Winder Brake	1	141611-0-01	
1-37	Screw	3	110185-0-02		1-68	Screw	2	009680-7-12	
1-38	Cap Plate	1	141316-0-01		1-69	Screw	1	013679-4-12	
1-39	Bearing (60010)	2			1-71	Bobbin Winder Wheel	1		
1-40	Washer	1			1-72	Bobbin Winder Arm Spring	1	142259-0-01	141601-0-01
1-83	Tension Lever	1			1-73	Bobbin Winder Arm	1		
1-41	Tension Pulley Ratchet	1	141633-0-01		1-74	Screw	1	141601-0-01	
1-45	Screw	3	009680-8-12		1-75	Bobbin Winder Shaft	1	141610-0-01	
1-22	Belt Cover	1	141245-0-01		1-76	Bobbin Winder Link B	1		
1-23	Belt Cover Spring Plate	1	141246-0-01		1-77	Screw	1	100659-0-01	
1-24	Screw	2	009680-4-12		1-78	Bobbin Presser	1	141608-0-01	
1-25	Screw	1	009680-4-12		1-79	Pin	1	100661-0-01	
1-26	Belt Cover Stopper Pin	1	141247-0-01		1-80	Bobbin Winder Link (A)	1		
1-30	Belt Cover Hinge	2	107372-0-01		1-81	Stud	1		
1-31	Screw	8	107231-0-01		1-82	Screw	1	507142-0-02	
1-44	Nut	1	022810-3-03		1-70	Screw	2	009761-2-14	
					1-85	Oil Cap	1	147931-0-01	

J. Upper Thread Trimmer Mechanism



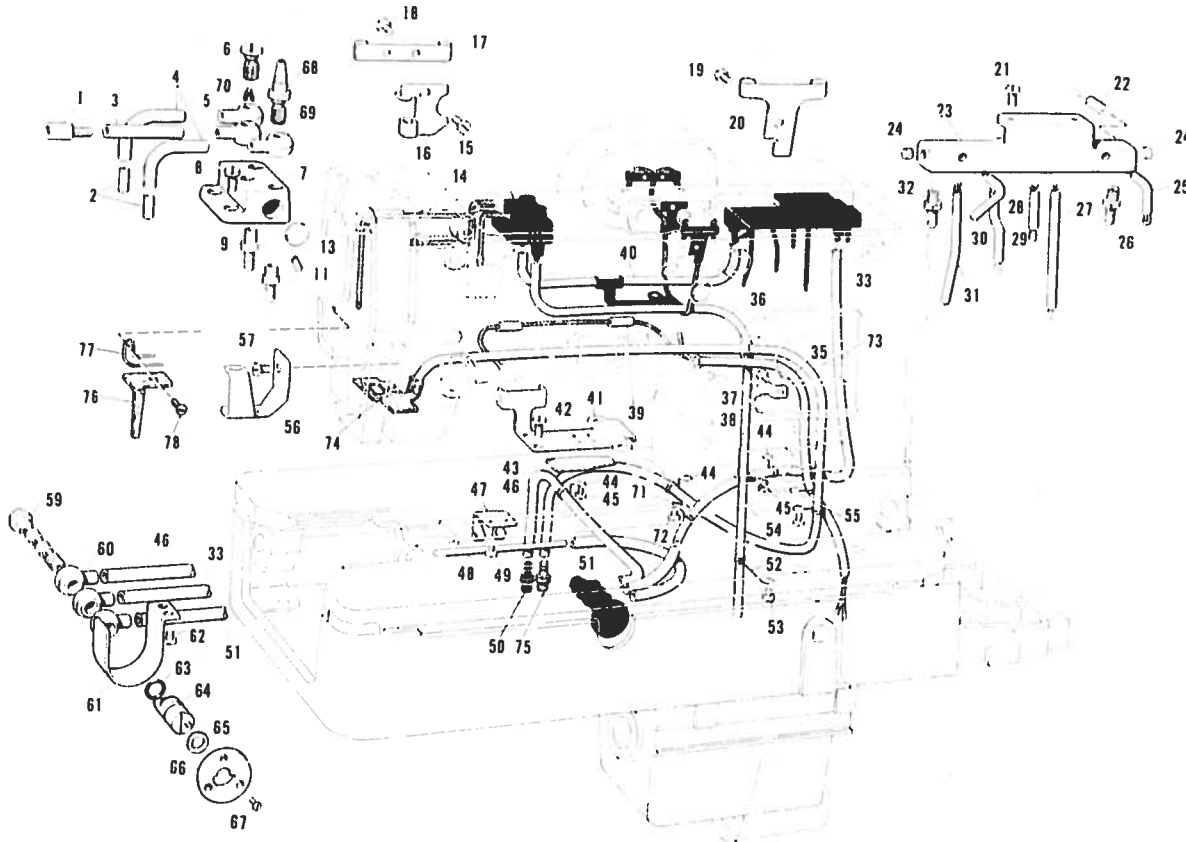
Ref. No.	Name of Parts	Qty	Parts No.	Assembly No.	Ref. No.	Name of Parts	Qty	Parts No.	Assembly No.
J-1	Upper Thread Trimming Cam	1	141516-0-01	141509-0-01	J-27	Joint	1	141492-0-01	
J-2	Screw	2	009681-0-12		J-28	Thread Guide Pin	1	141592-0-01	
J-3	Nut	1	110161-0-04		J-29	Upper Tension Releaser	1	145673-0-01	
J-4	Screw	1	009710-8-12		J-30	Screw	2	009680-8-12	
J-5	Upper Thread Trimming Lever (B)	1	141502-0-01		J-31	Washer	2	025680-2-32	
J-6	Screw	1	141504-0-01		J-32	Screw	1	009761-2-12	
J-7	Upper Thread	1			J-33	Washer	1	141343-0-02	
J-8	Stopper Pin	1	141511-0-01		J-34	Upper Thread Trimming Lever Holder	1	147565-0-01	
J-9	Upper Thread Middle Blade	1			J-35	Nut	1	100022-0-05	
J-10	Upper Thread Upper Blade	1	141513-0-01		J-36	Upper Thread Trimming Connecting Bar(S)	1	141490-0-01	
J-11	Screw	1	141514-0-01		J-37	Screw	1	141494-0-01	
J-12	Screw	1	009680-7-14		J-38	Joint	1	141492-0-01	
J-13	Spring Hook	1	141506-0-01		J-39	Screw	1	115493-0-02	
J-14	Spring	1	141505-0-01		J-40	Upper Thread Trimming Connecting Block	1	141491-0-01	
J-15	Screw	1	107407-0-02		J-41	Nut	1	100022-0-05	
J-16	Upper Thread Trimming Lever (A)	1	141497-0-01		J-42	Stud	1	141463-0-01	
J-17	Lever Driving Positioner	1	145988-0-01		J-43	Hinge	1	141496-0-01	
J-18	Spring	1	141500-0-01		J-44	Washer	1	100281-0-01	
J-19	Screw	1	009670-4-12		J-45	Pin	1	141501-0-01	
J-20	Screw	1	141498-0-01		J-46	Spring Hook	1	141472-0-01	
J-21	Nut	1	100022-0-05		J-47	Spring	1	141517-0-01	
J-22	Connecting Pipe	1	141718-0-01		J-48	Spring Hook	1	107639-0-01	
J-23	Screw	1	014760-6-22		J-49	Stop Ring	1	048060-3-42	
J-24	Upper Thread Trimming Connecting Bar (L)	1	141489-0-01		J-50	Joint	1	141492-0-01	
J-25	Nut	1	100022-0-05		J-51	Screw	1	141494-0-01	
J-26	Screw	1	141494-0-01		J-52	Washer	1	025710-2-32	

K. Lower Thread Trimmer Mechanism



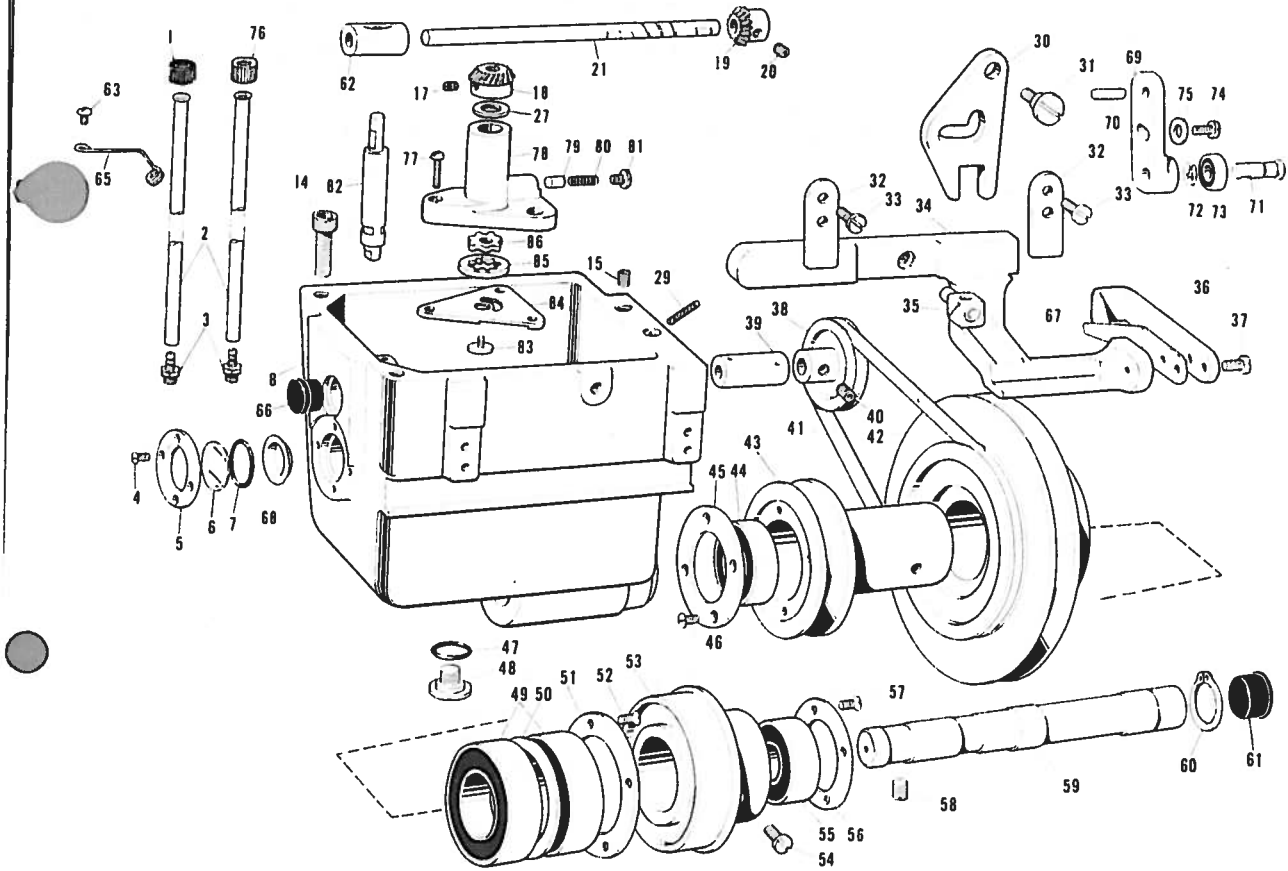
Ref. No.	Name of Parts	Qty	Parts No.	Assembly No.	Ref. No.	Name of Parts	Qty	Parts No.	Assembly No.
K-1	Bolt	1	017751-4-12		K-35	Screw	1	009681-2-12	
K-2	Washer	1	107453-0-01		K-36	Nut	1	021780-3-02	
K-3	Cutter Lever Supporting Plate	1	143915-0-01		K-37	Screw	1	009761-2-12	
K-4	Stud	1	143788-0-01		K-38	Lower Thread Trimming Shaft Arm (A)	1	141529-0-01	
K-5	Screw	1	014760-6-22		K-39	Lower Thread Trimming Connecting Link	1	141527-0-01	
K-6	Lower Thread Trimming Safety Stopper	1	141522-0-01		K-40	Screw	1	141528-0-01	
K-7	Screw	2	100032-0-03		K-41	Screw	1	013761-0-12	
K-9	Lower Thread Release	1	142419-0-01		K-42	Taper Center Right	1	101818-0-01	
K-10	Screw	1	142420-0-01		K-43	Screw	1	141528-0-01	
K-11	Rotary Hook Holder Position Bracket	1	141308-1-01		K-44	Bolt	1	115585-0-01	
K-12	Screw	2	009680-5-12		K-45	Nut	1	022810-3-03	
K-13	Screw	2	141544-0-01		K-46	Screw	1	107107-0-03	
K-14	Fixed Knife	1	141543-0-01		K-47	Upper Thread Trimming Detach Pawl	1	141508-0-01	
K-15	Lower Thread Release Plate	1	142416-0-01		K-48	Nut	1	110161-0-01	
K-16	Movable Knife	1	141541-0-01		K-49	Lower Thread Cutter Lever	1	141518-0-01	
K-17	Screw	2	141542-0-01		K-50	Screw	1	009761-0-13	
K-18	Bushing (A)	1	141538-0-01		K-51	Washer	1	141343-0-01	
K-19	Bushing (B)	1	141539-0-01		K-52	Bushing	1	142373-0-00	
K-20	Knife Setting Plate	1	141537-0-01		K-53	Bushing	1	142372-0-00	
K-21	Washer	1	512769-0-01		K-54	Lower Thread Trimming Lever Shaft	1	141520-0-01	
K-22	Screw	1	105451-0-01		K-55	Stud	1	141526-0-01	
K-23	Link	1	141534-0-01		K-56	Lower Thread Trimming Cam	1	141523-0-01	
K-24	Screw	2	141535-0-01		K-57	Washer	1	025050-2-33	
K-25	Lower Thread Trimming Shaft Arm (B)	1	141533-0-01		K-58	Screw	1	106629-0-01	
K-26	Taper Center Left	1	101817-0-01		K-59	Stop Ring	1	018030-3-42	
K-27	Screw	1	013761-0-12		K-60	Roller	1	107744-0-01	
K-28	Lower Thread Trimming Shaft	1	141530-0-01		K-61	Roller Stud	1	141519-0-01	
K-29	Screw	1	107274-0-02		K-62	Nut	1	021780-3-02	
K-30	Screw	2	014770-6-22		K-63	Spring Hook	1	141472-0-01	
K-31	Collar	1	141532-0-01		K-64	Spring	1	141521-0-01	
K-32	Shaft Supporter	1	141545-0-01		K-65	Spring Hook	1	141472-0-01	
K-33	Screw	2	009670-6-12		K-66	Washer	1	143927-0-01	
K-34	Spring	1	141531-0-01						

L. Lubrication



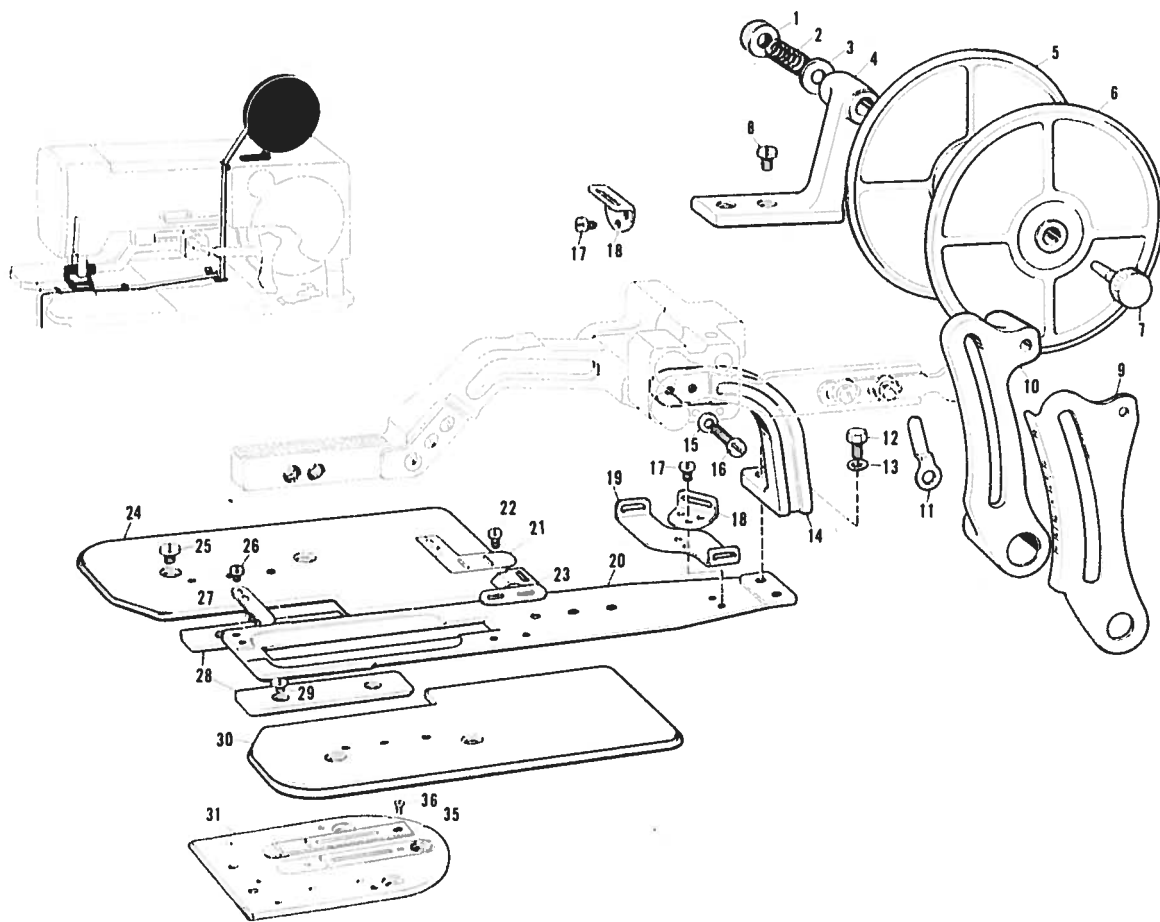
Ref. No.	Name of Parts	Qty	Parts No.	Assembly No.	Ref. No.	Name of Parts	Qty	Parts No.	Assembly No.
L-1	Oil Feeding Pipe (D)	1	141680-0-01		L-40	Vinyl Tube	1	141670-0-00	
L-2	Vinyl Tube (H)	2	141679-0-00		L-41	Vinyl Tube Holder	1	141671-0-01	
L-3	Vinyl Tube	1			L-42	Screw	2	009620-8-12	
L-5	Vinyl Tube Joint	1		142355-0-01	L-43	Felt	1	141672-0-00	
L-4	Vinyl Tube	2			L-44	Tube Stopper	3	112744-0-01	
L-5	Vinyl Tube Joint	2		142351-0-01	L-45	Screw	2	009670-5-12	
L-6	Screw	2	112359-0-01		L-46	Vinyl Tube	1		
L-7	Wick Base (A)	1	141673-0-00		L-60	Vinyl Tube Joint	1		142351-0-01
L-13	Cap	1		142413-0-01	L-47	Tube Holder	1	141656-0-01	
L-8	Screw	2	009670-8-12		L-48	Oil Pipe for Rotary Hook	1	141655-0-00	
L-9	Oil Feeding Pipe	2	142359-0-01		L-49	Screw	2	009670-6-12	
L-11	Vinyl Tube	1	143177-0-01		L-50	Oil Feeding Pipe	1	142748-0-01	
L-14	Wick	1			L-51	Vinyl Tube	1		
L-15	Screw	1	009680-6-12		L-60	Vinyl Tube Joint	1		142352-0-01
L-16	Wick Holder (B)	1	141686-0-01		L-52	Tube Stopper	1	116975-0-01	
L-17	Wick Holder (C)	1	141688-0-01		L-53	Screw	1	009670-5-12	
L-18	Screw	2	100212-0-03		L-54	Screw	1	009670-5-12	
L-19	Screw	1	009680-6-12		L-55	Tube Stopper	1	141692-0-01	
L-20	Wick Holder (A)	1	141685-0-01		L-56	Wick Holder (B)	1	141689-0-01	
L-21	Screw	2	009670-8-12		L-57	Screw	1	107419-0-02	
L-22	Oil Tube (A)	1	141663-0-01		L-59	Oil Feeding Pipe	1	141651-0-01	
L-23	Wick Base (B)	1			L-61	Cover	1	141654-0-01	
L-24	Oil Cap	2	110104-0-00		L-62	Screw	2	009670-6-12	
L-25	Oil Tube (B)	1	141664-0-01		L-63	Packing	1	104564-0-01	
L-27	Oil Tube (C)	1	141665-0-01	141661-0-01	L-64	Oil Adjusting Bracket	1	141652-0-01	
L-28	Oil Pipe	1	116968-0-01		L-65	Washer	1	100052-0-01	
L-29	Oil Tube (D)	1	141666-0-01		L-66	Cap Plate	1	141653-0-01	
L-30	Oil Tube (E)	1	141668-0-01		L-67	Screw	3	102538-0-02	
L-31	Oil Tube (F)	1	141667-0-01		L-68	Pipe for Oil Gauge Window	1	143715-0-01	
L-26	Oil Feeding Pipe	1	142359-0-01		L-69	Screw	1	143716-0-01	
L-32	Oil Feeding Pipe	1	142359-0-01		L-70	Wick	2	147721-0-01	
L-33	Vinyl Tube	1			L-71	Wick Holder	1	112743-0-01	
L-60	Vinyl Tube Joint	1		142353-0-01	L-72	Screw	1	009670-5-12	
L-35	Vinyl Tube	1	142742-0-00		L-73	Vinyl Tube	1		
L-36	Vinyl Tube	1	141683-0-00		L-74	Felt	1		148472-0-01
L-37	Screw	1	009670-5-12		L-75	Oil Feeding Pipe	1	142748-0-02	
L-38	Tube Holder	1	142268-0-01		L-76	Felt	1	148745-0-00	
L-39	Vinyl Tube	2	120774-0-01		L-77	Presser Spring	1	148746-0-01	
						Screw	1	009680-6-12	

M. Transmitter Mechanism



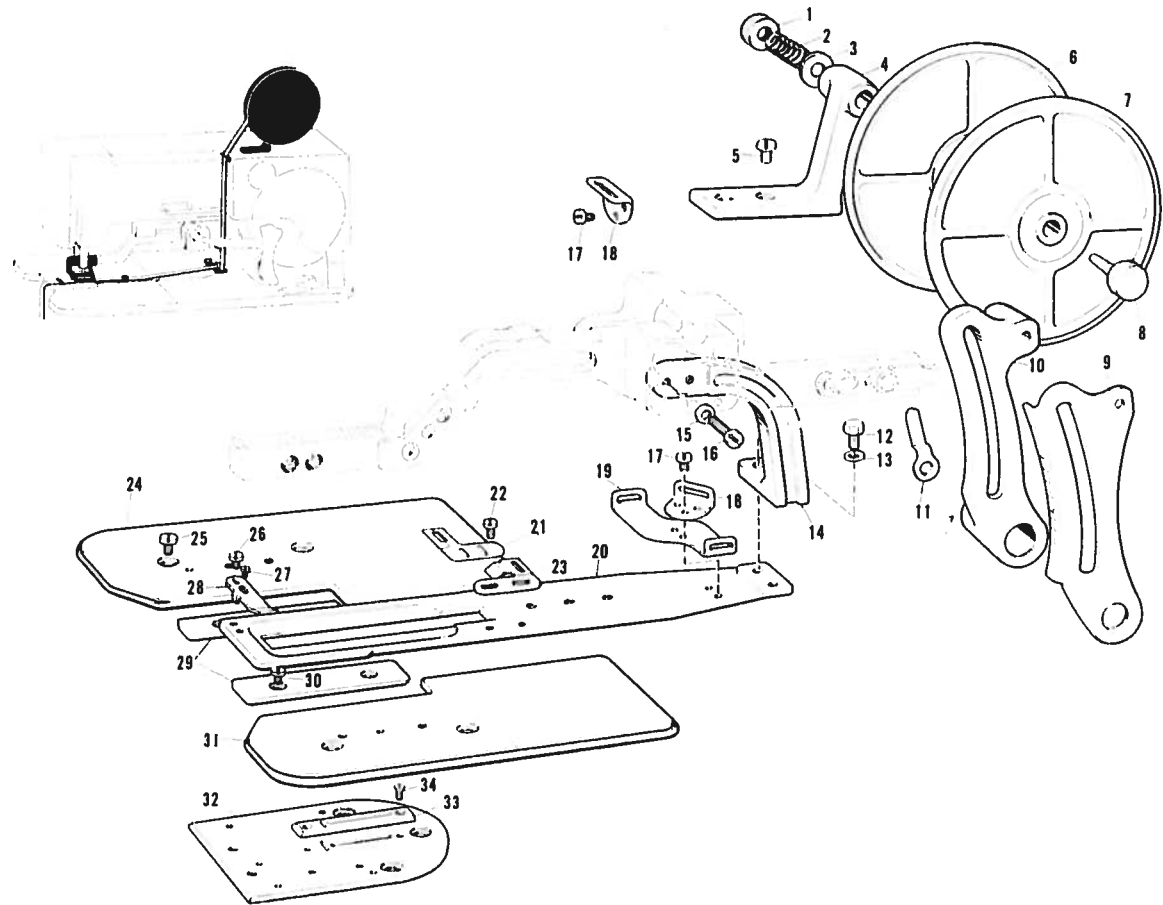
Ref. No.	Name of Parts	Qty	Parts No.	Assembly No.	Ref. No.	Name of Parts	Qty	Parts No.	Assembly No.
M-1	Nut	1	142750-0-01		M-52	Screw	1	00360-8-12	
M-2	Vinyl Tube	2	141647-0-00		M-53	Pulley	1		
M-3	Oil Feeding Pipe	2	142359-0-01		M-54	Screw	2	009711-4-12	
M-4	Screw	4	102538-0-02		M-55	Bearing 6001vv	1		141566-0-01
M-5	Oil Gauge Flange	1	101546-0-01		M-56	Bearing Cap	1		
M-6	Oil Gauge Window	1	141696-0-01		M-57	Screw	4	00360-8-12	
M-7	O Ring	1	081014-6-70		M-58	Transmitter Shaft	1		
M-8	Transmitter Base	1	147222-0-01		M-60	Stop Ring	1	018200-1-12	
M-14	Bolt	3	018082-5-22		M-47	Packing	1	109203-0-01	
M-15	Screw	1	014760-6-22		M-48	Screw	1	110611-0-01	
M-17	Screw	2	014770-6-22		M-58	Screw	2	013781-0-12	
M-18	Pump Shaft Gear	1		143915-0-01	M-61	Oil Cap	1	111937-0-01	
M-19	Lower Shaft Gear	1			M-62	Bushing (Front)	1	143983-0-01	
M-20	Screw	2	014770-6-22		M-63	Screw	1	001670-6-14	
M-21	Pump Pulley Shaft	1	143982-0-01		M-65	Tube Stopper	1	116975-0-01	
M-27	Washer	1	107153-0-01		M-66	Oil Cap	1	108520-0-01	
M-29	Wick	1	141669-0-00		M-67	Spring	1	145931-0-01	
M-30	Belt Shifter Cam	1	141582-0-00		M-68	Oil Plate	1	147226-0-01	
M-31	Screw	1	141583-0-01		M-69	Pump Belt Tension Lever	1		
M-32	Belt Shifter Guide	2	141588-0-01		M-70	Pin	1		
M-33	Screw	4	009680-8-13		M-71	Pump Belt Tension Roller Stud	1		147224-0-01
M-34	Belt Shifter Bracket	1		141584-0-01	M-72	Stop Ring	1	018060-3-12	
M-35	Slide Block	1			M-73	Bearing	1		
M-36	Belt Shifter	1	141584-0-01		M-74	Screw	1	009761-2-12	
M-37	Screw	2	009711-0-13		M-75	Washer	1	025060-2-32	
M-38	Oil Pump Pulley	1	141637-0-00		M-76	Nut	1	142750-0-02	
M-39	Bushing	1	142763-0-01		M-77	Screw	3	009711-4-12	
M-40	Screw	2	013770-7-10		M-78	Pump Body	1	148068-0-01	
M-41	V-Belt	1	141636-0-00		M-79	Plunger	1	148471-0-01	
M-42	Slow Speed Pulley	1			M-80	Spring	1	148761-0-01	
M-43	Pulley	1			M-81	Screw	1	112467-0-01	148761-0-01
M-44	Bearing 6001vv	1			M-82	Pump Shaft	1	148469-0-01	
M-45	Bearing Cap	1			M-83	Screw	1	145465-0-01	
M-46	Screw	1	00360-8-12		M-84	Pump Cap Plate	1	148470-0-01	
M-49	Bearing 6007vv	2		141566-0-01	M-85	Oil Pump Outer Rotor	1	141642-0-00	
M-50	Bearing Washer	1			M-86	Oil Pump Inner Rotor	1	141643-0-00	
M-51	Bearing Cap	1							

N. Parts for LH4-B814-2



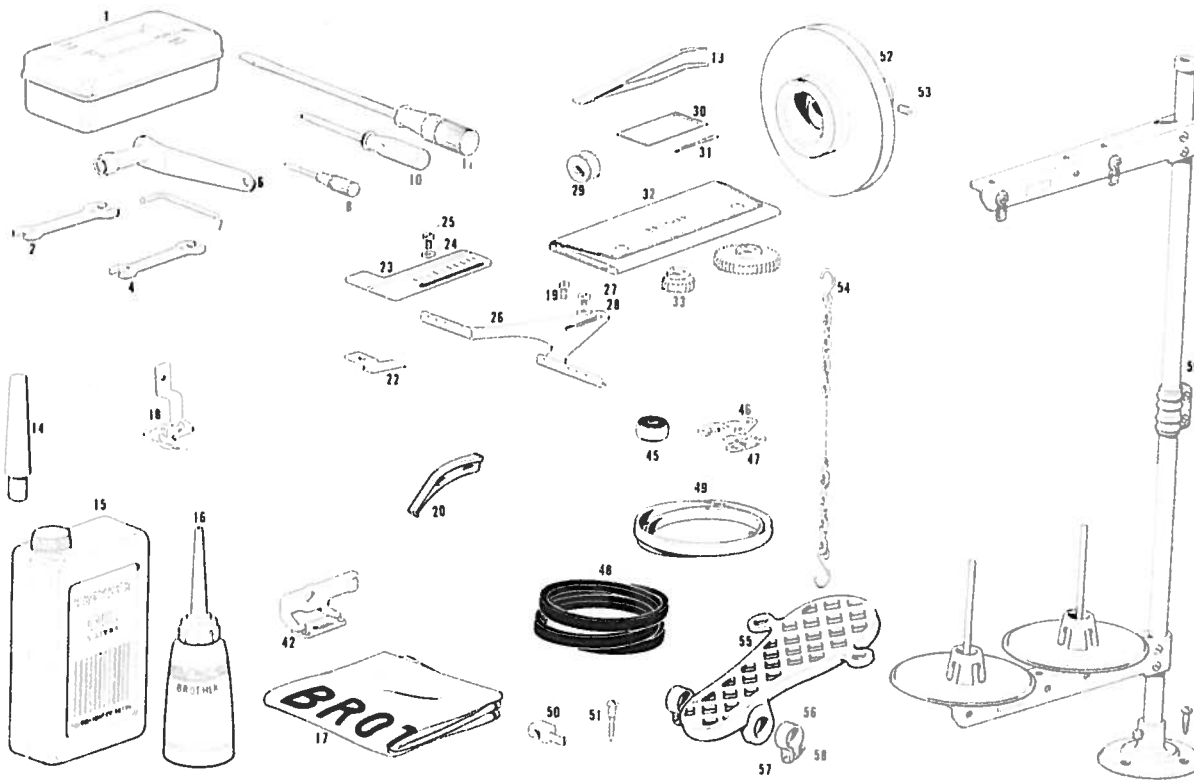
Ref. No.	Name of Parts	Q'ty	Parts No.	Assembly No.	Ref. No.	Name of Parts	Q'ty	Parts No.	Assembly No.
N-1	Nut	1	100136-0-01	143767-0-01	N-18	Tape Guide Upper	2	143748-0-01	
N-2	Spring	1	108195-0-01		N-19	Tape Guide Lower	1	143749-0-01	
N-3	Washer	1	108191-0-01		N-20	Length Feed Plate	1	145248-0-01	
N-4	Tape Winder Bracket	1			N-21	Tape Guide Front	1	144989-0-01	
N-6	Tape Holder Plate (L)	1			N-22	Screw	2	105288-0-02	
N-7	Tape Holder Plate (R)	1			N-23	Tape Guard Rear	1	144988-0-01	
N-8	Screw	1	143980-0-01		N-24	Bed Cover	1	143742-0-01	
N-5	Screw	2	107407-0-02		N-25	Screw	1	107407-0-02	
N-9	Length Feed Indicator Plate	1	143740-0-01		N-26	Screw	2	122771-0-02	
N-10	Length Feed Adjusting Lever	1	143739-0-01		N-27	Tape Guard Front	1	144997-0-01	
N-11	Stopper	1	144511-0-01		N-28	Length Feed Guide Plate	2	143743-0-01	
N-12	Bolt	2	017681-0-14		N-29	Screw	4	106568-0-01	
N-13	Washer	2	113431-0-01		N-30	Bed Cover Right	1	143711-0-01	
N-14	Lower Feed Arm	1	143738-0-01		N-31	Base Plate	1		
N-15	Washer	2	100615-0-03		N-35	Needle Plate	1		145244-0-01
N-16	Screw	2	009382-0-14		N-36	Screw	2	145247-0-01	
N-17	Screw	4	009660-1-14						

O. Parts for LH4-B814-3



Ref. No.	Name of Parts	Q'ty	Parts No.	Assembly No.	Ref. No.	Name of Parts	Q'ty	Parts No.	Assembly No.
O- 1	Nut	1	100136-0-01	143767-0-01	O-19	Tape Guide Lower	1	143719-0-01	143633-0-01
O- 2	Spring	1	108495-0-01		O-20	Length Feed Plate	1	144627-0-01	
O- 3	Washer	1	108491-0-01		O-21	Tape Guide Front	1	144999-0-01	
O- 4	Tape Winder Bracket	1			O-22	Screw	2	105285-0-02	
O- 5	Tape Holder Plate (L)	1			O-23	Tape Guide Rear	1	144998-0-01	
O- 6	Tape Holder Plate (R)	1			O-24	Bed Cover Left	1	143742-0-01	
O- 7	Screw	1	143980-0-01		O-25	Screw	4	107407-0-02	
O- 9	Length Feed Indicator Plate	1	143740-0-01		O-26	Screw	1	122771-0-02	
O-10	Length Feed Adjustig Lever	1	143739-0-01		O-27	Screw	1	105970-0-01	
O-11	Stopper	1	144541-0-01		O-28	Tape Guard Front	1	144628-0-01	
O-12	Bolt	2	017681-0-14		O-29	Length Feed Guide Plate	2	143743-0-01	
O-13	Washer	2	143431-0-01		O-30	Screw	4	106368-0-01	
O-14	Lower Feed Arm	1	143738-0-01		O-31	Bed Cover Right	1	143741-0-01	
O-15	Washer	2	100645-0-03		O-32	Base Plate	1		
O-16	Screw	2	009682-0-14		O-33	Needle Plate	1		
O-17	Screw	4	009660-4-14		O-34	Screw	2	111073-0-02	
O-18	Tape Guide Upper	2	143748-0-01		O- 8	Screw	2	107407-0-02	

Z. Accessory



Ref. No.	Name of Parts	Q'ty	Parts No.	Assembly No.	Ref. No.	Name of Parts	Q'ty	Parts No.	Assembly No.
Z- 1	Accessory Box	1	110436-0-01		Z-30	Needle Bag	1		
Z- 2	Spanner 10×12	1	107780-0-01		Z-31	Needle DP×5	10		
Z- 4	Spanner 8×9	1	100887-0-01		Z-32	Change Gear Box	1	142745-0-01	
Z- 6	Box Spanner	1	143949-0-01		Z-33	Gear	1		
Z- 7	Spanner 3	1	142721-0-01		Z-42	Upper Clamping Foot	1		
Z- 8	Screw Driver	1	142443-0-01		Z-45	Collar	1	146251-0-01	
Z-10	Screw Driver	1	118837-0-01		Z-46	Movable Knife	1	141511-0-01	
Z-11	Screw Driver	1	101572-1-01		Z-47	Fixed Knife	1	141543-0-01	
Z-13	Tweezers	1	117466-0-00		Z-48	V Belt	2	082104-1-90	
Z-14	Head Rest	1	142005-0-00		Z-48	V Belt	1	082104-2-90	
Z-15	Oil Tank	1	145277-0-03		Z-49	Belt	1	082104-3-90	
Z-16	Oiler	1	114483-0-01		Z-50	Head Hook	1	141711-0-00	
Z-17	Head Cover	1	144226-0-01		Z-51	Screw	2	141256-0-01	
Z-18	Upper Thread Trimming Assembly	1	141509-0-01		Z-52	Pulley	4	101125-0-00	
Z-19	Bolt	2	017681-0-14		Z-52	Pulley	1	141707-0-01	
Z-20	Stop Cam Segment (Small)	1	142734-0-01		Z-52	Pulley	1	141709-0-01	
Z-22	Cutter	1			Z-53	Screw	1	143890-0-01	
Z-23	Cloth Guide	1	147156-0-01		Z-54	Chain Assembly	2	013761-0-12	
Z-24	Washer	2	025680-2-34		Z-55	Foot Pedal	2	142262-0-01	
Z-25	Ruler	2	017680-5-14		Z-56	Pedal Stopper	1	147623-0-01	
Z-26	Ruler	1	141705-0-01		Z-57	Screw	4	116016-0-01	
Z-27	Bolt	2	017680-5-14		Z-58	Nut	4	001401-1-06	
Z-28	Washer	2	116662-0-02		Z-59	Cotton Stand Assembly	4	021400-1-06	
Z-29	Bobbin	3	146025-0-01				1	150150-0-01	

DIFFERENT PARTS LIST

Ref. No.	Name of Part	Sub-Class	80024 (-2)	80034 (-3)	Ref. No.	Name of Part	Sub-Class	80024 (-2)	80034 (-3)
L-12	Needle DP		107415-0-14	107415-0-11	Z-22	Cutter 1		143780-0-01	143780-0-01
F-3	Gear		141382-0-00	141386-0-00	Z-31	Needle DP		107415-0-14	107415-0-11
G-8	Upper Clamping Foot		144497-0-01	144629-0-01	Z-33	Gear 30		141376-0-00	141376-0-00
H-9	Cutter		107200-0-01	107201-0-01	"	Gear 32		141377-0-00	141378-0-00
"	Cutter		107201-0-01	107201-0-01	"	Gear 36		141379-0-00	
"	Cutter		107200-0-01	107200-0-01	"	Gear 40		141381-0-00	141381-0-00
"	Cutter		107205-0-01	107205-0-01	"	Gear 42			141382-0-00
"	Cutter		109837-0-01	109837-0-01	"	Gear 44		141383-0-00	
"	Cutter		107207-0-01	107207-0-01	"	Gear 46		141384-0-00	141384-0-00
"	Cutter		109838-0-01	109838-0-01	Z-42	Upper Clamping Foot		144574-0-01	144631-0-01
"	Cutter 1		107210-0-01	107210-0-01					

INDEX

Parts No.	Ref. No.	Remark	Parts No.	Ref. No.	Remark	Parts No.	Ref. No.	Remark	Parts No.	Ref. No.	Remark
001401-4-06	Z-57		009681-2-11	A-1		011760-6-22	F-10		07050-2-31	K-5	
001670-5-12	G-43		"	A-10 ²		"	J-2		07060-2-31	M-5	
001670-5-14	A-16		009681-1-12	H-6		"	M-15		07500-1-31	C-5	
"	A-110		009681-1-11	A-13		011760-6-22	P-1-B-19		075100-1-31	C-9	
001670-6-12	A-19		009682-0-11	A-2		"	B-2		"	C-30	
001670-6-14	M-63		"	N-16		"	F-26		07550-1-31	G-11	
003650-8-12	M-46		"	O-16		"	B-1		"	A-20	
"	M-52		009689-1-12	A-108		"	B-3 ²		07580-1-31	F-1	
"	M-57		"	J-21		"	B-3		07680-2-4	A-60	
007671-2-12	I-28		"	I-25		"	B-16		"	C-21	
009660-4-14	N-17		009710-8-12	J-1		"	B-30		"	Z-21	
"	O-17		009711-0-13	M-31		"	B-8		07570-2-12	F-22	
009669-3-12	G-71		009711-1-12	I-81		"	B-6		075900-2-12	D-10	
009669-4-12	B-6		"	M-31		"	C-9		07550-2-11	C-4	
009670-4-12	J-19		"	M-77		"	C-39		01117-2-01	A-26	
009670-5-12	B-69		009711-1-13	E-1		"	D-3		01711-1-12	G-21	
"	L-37		009761-0-12	C-19		"	E-58		017308-1	F-33	
"	L-51		"	C-25		"	F-6		018030-1-2	F-16	
"	F-48		009761-0-13	K-50		"	C-7		"	C-50	
"	L-53		009761-0-11	G-39		"	C-6		078010-1-12	G-18	
"	L-72		009761-2-12	C-26		"	G-6 ²		018060-1-12	G-56	
009670-5-14	A-48		"	D-18		"	G-6		07360-3-12	C-11	
009670-6-12	A-41		"	E-36		"	H-0		"	A-49	
"	L-49		"	H-30		"	I-11		"	A-72	
"	D-23		"	J-32		"	I-36		07807-1-2	C-26	
"	I-35		"	K-37		"	K-3		"	C-81	
"	L-62		"	M-71		"	K-0		0780-0-1-2	G-26	
"	K-33		009761-2-11	I-51		"	N-17		01090-1-12	I-12	
009670-6-13	G-46		"	I-70		"	N-0		01000-1-12	C-30	
009680-7-12	H-1		001761-4-13	A-80		017680-1-1	Z-5		01010-1-12	F-45	
"	I-2		"	I-17		"	Z-7		01050-1-10	F-37	
"	L-68		009762-0-13	A-71		017681-0-11	C-12		018200-1-2	M-60	
009670-8-12	G-40		"	A-91		"	N-12		018250-1-10	C-20	
"	L-8		009771-8-12	H-36		"	O-12		072600-3-60	C-1	
"	L-21		013670-7-12	B-71		"	Z-9		072620-2-60	B-10	
"	L-42		"	C-		017751-4-12	K-		08101-1-6-70	M-7	
"	K-12		013679-4-12	B-86		017761-4-12	C-68		082104-1-90	Z-8	
009680-6-12	A-112		"	I-69		017781-4-12	C-70		082104-2-90	Z-8	
"	L-19		013680-6-12	B-67		017782-5-12	C-3		082104-1-90	Z-1	
"	L-15		013680-6-13	A-50		018081-4-2 ²	G-5		100008-0-0	A-1	
"	L-78		013689-4-12	G-73		018082-5-12	C-30		100022-0-0	J-2	
009680-7-12	G-81		"	I-65		"	M-4		"	J-25	
"	I-11		013711-0-10	A-23		018400-8-22	G-1		"	J-25	
009680-7-13	D-22		013760-6-12	A-8		021400-1-03	F-8		"	J-11	
009680-7-14	J-12		013760-7-13	A-17		021400-1-06	Z-8		100032-0-03	G-61	
009680-8-12	I-15		013760-8-10	D-7		021660-1-0 ²	G-89		"	K-7	
"	I-58		013760-8-12	C-3		021710-2-02	C-37		100052-0-01	L-6	
"	J-30		"	F-53		021750-1-03	I-60		0007-0-0	C-15	
009680-8-13	M-33		013761-0-12	G-49		021760-3-04	A-6		001-1-0	A-25	
009680-8-14	H-25		"	K-27		"	H-4		"	A-61	
009681-0-12	G-9		"	K-41		021780-3-02	K-36		001-6-01	A-27	
"	J-2		"	Z-53		"	K-62		"	A-6	
"	F-27		013761-4-10	B-49		021780-3-03	F-39		"	N-1	
009681-0-14	A-14		"	B-53		021860-2-02	C-45		"	O-	
"	F-51		013770-7-10	M-40		021910-3-02	D-8		1002-1-0-03	F-18	
009681-2-12	B-40		013771-4-10	B-62		022840-3-03	I-4		1002-30-0	B-2	
"	K-35		013781-0-12	H-16		"	I-5		002-1-0-0	G-2	
"	F-23		"	M-58		"	K-45		"	I-11	
"	F-46		014760-6-22	E-28		022870-1-04	H-1		00366-0-0	C-0	

Parts No.	Ref. No.	Remark	Parts No.	Ref. No.	Remark	Parts No.	Ref. No.	Remark	Parts No.	Ref. No.	Remark
100398-0-01	A-32		107126-0-01	H-43		110641-0-01	M-48		141243-0-01	A-64	
100399-0-01	A-31		107153-0-02	C-35, M-27		110744-0-02	H-24		141244-0-00	A-65	
100400-0-00	A-33		107200-0-01	H-9, Z-22		111073-0-02	O-34		141245-0-01	I-22	
100402-0-02	A-29		107204-0-01	H-9, Z-22		111937-0-01	M-61		141246-0-01	I-23	
100511-0-03	E-6		107205-0-01	Z-22		112144-0-01	H-41		141247-0-01	I-26	
100644-0-01	A-59		107207-0-01	Z-22		112359-0-01	L-6		141248-0-01	A-78	
"	A-105		107210-0-01	Z-22		112467-0-01	M-81		141249-0-01	A-79	
100645-0-03	N-15		107231-0-01	I-31		112743-0-01	L-71		141252-0-00	A-83	
"	O-15		107274-0-02	K-29		112744-0-01	L-41		141254-0-00	A-91	
100659-0-01	I-77		107321-0-01	A-40		112751-0-01	A-19		141256-0-01	Z-50	
100661-0-01	I-79		"	A-88		112751-0-02	A-25		141257-0-01	I-4	
100887-0-01	Z-4		107372-0-01	I-30		113431-0-01	N-13		141258-0-01	I-7	
101125-0-00	Z-51		107407-0-02	C-78		"	O-13		141259-0-01	I-5	
101125-0-01	I-6		"	A-100		114294-0-01	A-27		141260-0-01	A-12	
101572-1-01	Z-41		"	H-8		114747-0-01	I-8		141261-0-01	A-3	
101571-0-01	A-10		"	J-15		114483-0-01	Z-16		141262-0-0	A-6	
101706-0-01	B-23		"	N-8		115493-0-02	J-39		141263-0-0	A-38,39,42	
"	B-60		"	N-25		115503-0-01	H-10		141263-0-0	A-39	
"	B-51		"	O-25, 8		115542-0-01	C-52		141266-0-01	A-103	
101706-0-03	G-67		107407-0-03	B-8		115544-0-01	C-53		141267-0-01	A-93	
102023-0-03	A-95		"	F-29		115545-0-01	C-54		141268-0-01	A-49	
102424-0-03	A-66		"	F-45		115546-0-01	C-55		141269-0-01	A-45	
102843-0-01	B-44		"	K-46		115550-0-01	C-49		141271-0-01	B-29	
102538-0-02	L-67		107415-0-11	B-12, Z-31		115551-0-01	C-51		141272-0-01	B-28	
"	M-4		107415-0-14	B-12, Z-31		115552-0-01	C-48		141273-0-00	B-32	
102707-0-02	D-24		107419-0-02	L-57		115558-0-02	C-24		141274-0-00	B-39	
102843-0-04	C-4		107453-0-01	K-2		115559-0-02	C-23		141275-0-01	B-42	
103950-0-02	A-30		107488-0-02	Z-25		115585-0-01	I-43		141276-0-01	B-43	
103978-0-02	A-416		"	Z-27		"	I-53		141277-0-00	B-38	
104449-0-01	A-47		107550-0-02	G-41		"	K-44		141277-0-0	C-5	
"	D-4		107602-0-01	A-71		116016-0-01	Z-56		141279-0-0	C-3	
"	D-10		"	A-36		116562-0-02	A-104		141280-0-01	C-6	
104450-0-01	A-46		107612-0-01	A-72		116662-0-02	Z-28		141281-0-01	C-14	
"	A-106		107639-0-01	I-48		116725-0-01	A-87		141282-0-01	C-7	
104546-0-01	M-5		107678-0-01	A-99		116795-0-00	E-31		141283-0-01	C-11	
104564-0-01	L-63		107680-0-01	A-98		116968-0-01	L-28		141284-0-00	C-13	
104827-0-01	D-19		107681-0-01	A-97		116975-0-01	L-52		141285-0-01	C-12	
"	F-8		107682-0-01	A-96		"	M-65		141286-0-01	C-16	
104833-0-01	A-58		107744-0-01	K-60		117215-0-01	A-68		141289-0-01	C-17	
104847-0-01	K-26		107780-0-01	Z-2		117258-0-01	A-7		141290-0-00	B-25	
104848-0-01	K-42		108491-0-01	N-3		117348-0-01	C-8		141293-1-01	B-4, 85	
104908-0-02	D-15		"	O-3		117466-0-00	Z-13		141295-0-01	B-2	
105231-0-03	A-77		108495-0-01	N-2		117598-0-01	E-32		141296-0-01	B-9	
105288-0-02	N-22		"	O-2		117934-0-01	I-83		141297-0-01	B-47	
"	O-22		108520-0-01	M-66		118215-0-01	G-19		141298-0-00	B-48	
105451-0-01	K-22		109173-0-01	B-78		118262-0-02	G-48		141303-0-00	B-56	
105812-0-01	F-43		109483-0-01	B-70		118352-0-01	G-88		141304-0-01	B-61	
105812-0-02	E-45		109203-0-01	M-47		118735-0-02	C-42		141305-0-00	B-61	
105970-0-01	O-27		109837-0-01	Z-22		"	C-69		141308-1-01	K-11	
106147-0-01	F-47		109838-0-01	Z-22		"	H-35		141309-0-00	B-34	
106368-0-01	N-29		109862-0-01	B-48		118759-0-01	A-38, 39, 42		141310-0-01	D-9	
"	O-30		110104-0-00	L-24		118837-0-01	Z-40		141311-0-01	D-2	
106588-0-01	E-7		110161-0-03	J-3		120774-0-01	L-39		141312-0-00	D-8	
"	E-23		110161-0-04	K-48		120790-0-01	H-40		141313-0-01	D-4	
"	H-37		110185-0-02	I-37		122771-0-02	N-26		141316-0-01	I-38	
106629-0-01	K-58		110367-0-01	B-22		"	O-26		141326-0-01	D-11	
107017-0-01	A-47		110436-0-01	Z-4		140004-0-01	B-10		141328-0-01	D-21	
107017-0-01	A-89		110494-0-01	E-19		140553-0-01	B-11		141329-0-01	D-25	
107097-1-01	B-82					140947-0-01	E-15		141332-0-01	E-22	

Parts No.	Ref. No.	Remark	Parts No.	Ref. No.	Remark	Parts No.	Ref. No.	Remark	Parts No.	Ref. No.	Remark
141333-0-01	E-24		141413-0-01	F-24		141492-0-01	J-38		141559-0-01	C-22	
141334-0-01	C-21		141417-0-01	G-50		141491-0-01	J-26		141562-0-01	I-46	
"	C-38		141417-0-01	H-15		"	J-37		141564-0-01	I-52	
"	E-25		141419-0-01	G-47		"	J-51		141566-0-01	M-42, 46, 49 57, 59, 60	
141335-0-00	E-12		141420-0-01	G-42		141496-0-01	J-43		141574-0-01	C-82	
141336-0-01	E-9		141421-0-01	G-63		141497-0-01	J-46		141575-0-01	I-61	
141337-0-01	E-10		141422-0-01	G-57		141499-0-01	J-20		141576-0-01	M-31, 35	
141338-0-01	E-11		141426-0-01	G-64		141500-0-01	J-48		141579-0-01	I-57	
141339-0-01	E-8		141427-0-01	G-22		141501-0-01	J-45		141580-0-01	I-59	
141340-0-01	E-20		141429-0-01	G-32		141502-0-01	J-5		141581-0-01	I-50	
141341-0-01	E-29		141430-0-01	G-60		141503-0-01	J-6		141582-0-01	M-30	
141342-0-00	E-33		141431-0-01	G-20		141505-0-01	J-44		141583-0-01	M-31	
141343-0-01	K-51		141433-0-01	G-65		141506-0-01	J-43		141584-0-01	M-31-35	
141343-0-02	H-31		141434-0-01	G-21		141507-0-01	G-47		141588-0-01	M-32	
"	J-33		141439-0-01	G-77		141508-0-01	K-47		141589-0-01	M-36	
"	E-35		141440-0-01	G-70		141509-0-01	J-7~11, Z-18		141590-0-01	A-62	
141344-0-01	D-26		141441-0-01	G-74		141511-0-01	J-8		141592-0-01	J-28	
141345-0-01	E-30		141442-0-01	G-72		141513-0-01	J-10		"	L-55	
141346-0-01	E-5		141445-0-01	F-47		141514-0-01	J-11		141593-0-01	A-61	
141347-0-01	E-3		141446-0-01	F-26		141515-0-01	G-80		141594-0-01	A-47	
141348-0-01	E-2		141448-0-01	F-28		141516-0-01	J-4		141596-0-01	F-50	
141351-0-01	E-37		141449-0-01	G-8		141517-0-01	J-47		141597-0-01	F-55	
141354-0-00	E-17		141450-0-01	G-6		141518-0-01	K-47		141598-0-01	F-54	
141355-0-01	E-14		141451-0-01	G-5		141519-0-01	K-61		141599-0-01	F-52	
141356-0-01	E-16		141451-0-01	G-1		141520-0-01	K-54		141600-0-01	A-101	
141357-0-00	E-27		141455-0-01	G-10~16		141521-0-01	K-61		141601-0-01	I-65, 69 71~82	
141358-0-01	E-26		141462-0-01	H-32		141522-0-01	K-6		141601-0-01	I-74	
141359-0-01	E-39		141463-0-01	H-33		141523-0-01	K-56		141608-0-01	I-78	
141363-0-01	E-44		"	J-42		141526-0-01	K-55		141610-0-01	I-75	
141365-0-00	E-43		141464-0-01	H-39		141527-0-01	K-39		141611-0-01	I-67	
141366-0-01	E-42		141465-0-01	H-38		141528-0-01	K-40		141614-0-01	A-18	
141367-0-01	B-30		141466-0-01	H-34		"	K-43		141616-0-01	A-22	
141368-0-00	F-7		141467-0-01	H-29		141529-0-01	K-38		141617-0-01	A-21	
141369-0-01	F-4		141468-0-01	H-26		141530-0-01	K-28		141618-0-01	C-75	
141376-0-00	Z-33		141469-0-01	H-23		141531-0-01	K-31		141619-0-01	A-9	
141378-0-00	F-3, Z-33		141471-0-01	H-27		141532-0-01	K-31		141620-0-01	A-11	
141379-0-00	Z-33		141472-0-01	H-28		141533-0-01	K-25		141621-0-01	I-2~13, 16~21 27~29, 32~40, 83	
141381-0-00	Z-33		"	I-49		141534-0-01	K-23		141625-0-01	I-34	
141382-0-00	F-3, Z-33		"	J-46		141535-0-01	K-24		141627-0-01	I-27	
141384-0-00	Z-33		"	K-63		141537-0-01	K-20		141628-0-01	I-18	
141386-0-00	F-3		"	K-65		141538-0-01	K-18		141630-0-01	I-20	
141389-0-01	F-10~14		141473-0-01	H-19		141539-0-01	K-19		141633-0-01	I-14	
141392-0-01	F-12		141474-0-01	H-12		141541-0-01	K-16		141636-0-00	M-41	
141393-0-01	F-13		141475-0-01	H-21		"	Z-46		141637-0-00	M-38	
141394-0-01	F-9		141476-0-01	H-22		141542-0-01	K-17		141642-0-00	M-85	
141395-0-01	F-40		141477-0-01	H-3		141543-0-01	K-14		141643-0-00	M-86	
141396-0-01	F-38		141478-0-01	H-2		"	Z-47		141647-0-00	M-2	
141397-0-01	F-37		141479-0-01	H-5		141544-0-01	K-13		141651-0-01	L-59	
141398-0-01	F-41		141481-0-01	H-14		141545-0-01	K-32		141652-0-01	L-64	
141399-0-01	F-42		141484-0-01	G-29		141547-0-01	C-67		141653-0-01	L-66	
141400-0-01	F-31		141485-0-01	G-30		141548-0-01	C-65		141654-0-01	L-61	
"	F-36		141486-0-01	G-39		141549-0-01	C-64		141655-0-00	L-48	
141401-0-01	D-17, 28~30		141487-0-01	G-28		141550-0-01	C-61		141656-0-01	L-47	
141404-0-00	D-16		141488-0-01	G-27		141553-0-01	C-41		141658-0-00	L-3	
141408-0-01	F-30		141489-0-01	J-24		141554-0-01	C-47		141659-0-01	E-40	
141409-0-01	F-33		141490-0-01	J-36		141555-0-01	C-39		141661-0-01	L-2~23, 27~31	
141410-0-01	F-25		141491-0-01	J-40		141556-0-01	C-20				
141411-0-01	F-32		141492-0-01	J-50		141557-0-01	C-60				
141412-0-01	F-16		"	J-27		141558-0-01	C-46				

Parts No.	Ref. No.	Remark	Parts No.	Ref. No.	Remark	Parts No.	Ref. No.	Remark	Parts No.	Ref. No.	Remark
141663-0-01	L-22		142372-0-00	C-62		143748-0-01	N-18		146002-0-01	G-86	
141664-0-01	L-25		"	G-52		"	O-18		146025-0-01	B-81	
141665-0-01	L-27		"	K-53		143749-0-01	N-19		"	Z-29	
141666-0-01	L-29		142373-0-00	C-63		"	O-19		146041-0-01	C-28	
141667-0-01	L-31		"	I-54		143767-0-01	N-1~7, D-1~4,6~8		146209-0-01	I-40	
141668-0-01	L-30		"	K-52					146254-0-01	Z-45	
141670-0-00	L-40		142374-0-00	G-23		143780-0-01	Z-22		146355-0-01	B-73	
141671-0-01	L-41		142375-0-00	F-34		143788-0-01	K-4		146955-0-01	I-42	
141672-0-01	L-43		142376-0-00	H-18		143793-0-01	B-75		146958-0-01	I-48	
141679-0-01	L-2		142407-0-01	B-72		143890-0-01	Z-52		146960-0-01	J-44	
141680-0-01	L-1		142108-0-01	B-66		143911-0-01	A-113		147155-0-00	E-46	
141681-0-00	B-7		142413-0-01	L-7, 13		143915-0-01	M-17~20		147156-0-01	Z-23	
141682-0-01	B-5		142416-0-01	K-15		143927-0-01	K-66		147222-0-01	M-8	
141683-0-00	L-36		142419-0-01	K-9		143933-0-01	B-74~77		147223-0-01	M-69~73	
141685-0-01	L-20		142420-0-01	K-10					147226-0-01	M-68	
141686-0-01	L-16		142443-0-01	Z-18		143942-0-01	F-2, 23 26~29, 31~47		147317-0-01	A-107	
141688-0-01	L-17		142582-0-01	B-65		143943-0-01	F-44		147565-0-01	J-34	
141689-0-01	L-56		142702-0-01	F-35		143944-0-01	F-22		147623-0-01	Z-55	
141691-0-00	M-29		142709-0-00	B-52		143945-0-01	K-3		147639-0-01	C-44	
141696-0-01	M-6		142721-0-01	Z-7		143949-0-01	Z-6		147650-0-01	B-10, 13~18 20, 21	
141697-0-00	G-51		142724-0-01	H-3, 7, 8		143980-0-01	N-7				
"	H-17		142733-0-01	A-26		"	O-7		147724-0-01	L-70	
141698-0-01	C-79		142734-0-01	Z-20		143982-0-01	M-21		147901-0-01	D-3, 11~15, 20	
141699-0-01	C-80		"	Z-43		143983-0-01	M-62		147945-0-01	G-68	
141700-0-01	C-74		142735-0-01	A-24		143984-0-01	A-92		147985-0-01	B-79	
141701-0-01	C-76		142736-0-01	B-3, 84		143985-0-01	A-90		148052-0-01	B-4	
141702-0-01	C-77		142737-0-01	B-84		143986-1-01	B-80		148053-0-01	B-85	
141703-0-01	C-73		142742-0-00	L-35		144226-0-01	Z-17		148054-0-01	B-83	
141704-0-01	C-40		142743-0-00	A-54		144497-0-01	G-82		148055-0-01	A-15	
141705-0-01	Z-26		142744-0-01	B-77		144541-0-01	N-11		148168-0-01	M-78	
141707-0-01	Z-52		142745-0-01	Z-32		"	O-11		148169-0-01	M-82	
141709-0-01	Z-52		142748-0-01	L-50		144574-0-01	Z-42		148170-0-00	M-81	
141711-0-00	Z-49		142748-0-02	L-55		144627-0-01	O-20		148171-0-01	M-79	
141714-0-01	F-5		142750-0-01	M-4		144628-0-01	O-28		148172-0-01	L-74, 75	
141716-0-00	E-11		142750-0-02	M-76		144629-0-01	G-82		148682-0-01	A-115	
141717-0-01	H-46		142751-0-01	C-15		144631-0-01	Z-42		148745-0-01	L-76	
141718-0-01	J-22		142755-0-01	C-31		144633-0-01	O-32~34		148746-0-01	L-77	
141953-0-01	C-34		142766-0-01	M-39		144741-0-01	A-28		148761-0-01	M-78~86	
142005-0-00	Z-14		142771-0-01	C-37		144876-0-01	M-80		181092-0-01	B-35, 36, 45, 46	
142214-0-01	C-32		142779-0-01	H-42		144946-0-00	A-82		181093-0-01	B-51, 55, 57, 58	
142258-0-01	F-49		142972-0-01	Z-59		144997-0-01	N-27		181250-0-01	H-44~46	
142259-0-01	I-72		143177-0-01	L-11		144998-0-01	N-23		181708-0-01	C-63, 64, 68	
142262-0-01	Z-54		143445-0-01	A-109		"	O-23		181969-0-03	G-66, 67	
142268-0-01	L-38		143713-0-01	A-111		144999-0-01	N-21		181994-0-01	D-6, 7	
142269-0-00	A-85		143714-0-01	L-68, 68		"	O-21		181995-0-01	B-50, 51	
142272-0-01	F-1		143715-0-01	L-68		145244-0-01	N-31, 35, 36		403388-0-01	D-27	
142273-0-01	F-2		143716-0-01	L-69		145247-0-01	N-36		"	E-34	
142297-0-01	C-10		143738-0-01	N-14		145248-0-01	N-20		507142-0-02	I-82	
142298-0-00	L-14		"	O-14		145277-0-03	Z-15		512769-0-01	K-21	
142312-0-01	I-3		143739-0-01	N-10		145446-0-01	A-34				
142351-0-01	L-46, 60		"	O-10		"	A-70				
142352-0-01	L-51, 60		143740-0-01	N-9		145465-0-01	M-83				
142353-0-01	L-33, 60		"	O-9		145673-0-01	J-29				
142354-0-01	L-1, 5		143741-0-01	N-30		145931-0-01	M-67				
"	M-4		"	O-31		145961-0-01	A-114				
142355-0-01	L-3, 5		143742-0-01	N-24		145998-0-01	J-17				
"	L-26		"	O-24		145999-0-01	G-80, 85~89				
"	L-32		143743-0-01	N-28		146000-0-01	G-85				
"	M-3		"	O-29		146001-0-01	G-87				

