

brother®

**D.C. MOTOR
MOTOR D.C.
LE MOTEUR D.C.
EL MOTOR D.C.**

**MD-803
MD-813**

**PARTS BOOK
TEILEKATALOG
LIVRE DES PIECES
LIBRO DE REFERENCIA DE PIEZAS**



Notes for using this parts book

1. If the symbol is found in the "Parts No." column or the "Assembly No." column, refer to the different parts list on page 10.
2. The symbol in the "Parts No." column indicates that the parts is not available for supply. If, however, there is a number in the "Assembly No." column, the parts can be ordered as an assembly. Please, therefore, order by using the assembly number.
3. This book was prepared based on information available in September 1989.
4. Parts are subject to changes in design without prior notice.

Anmerkungen zum Gebrauch dieses Stücklistebuches

1. Dieses Zeichen in der Spalte "Parts No. (Teilnummer)" oder "Assembly No. (Gerätesatznummer)" verweist auf die Gesonderte Stückliste auf Seite 10.
2. Dieses Zeichen in der Spalte "Teilnummer" bedeutet, daß dieser Teil nicht lieferbar ist. Wenn jedoch in der Spalte "Gerätesatznummer" eine Nummer steht, kann dieser Teil als ein Geräteteilsatz bestellt werden. Bestellen Sie daher bitte mit dieser Gerätesatznummer.
3. Dieses Buch basiert auf den Informationen vom September 1989.
4. Modelländerungen sind vorbehalten.

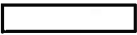
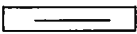
CONTENTS

A. Motor Mechanism (1)	1
A. Motor Mechanism (2)	2
B. Control Box (B737)	3
C. Control Box (B7380)	4
D. Operation panel and Switch Box Mechanism	5
E. Material Edge Sensor Related (Option) (1)	7
F. Material Edge Sensor Related (Option) (2)	9
DIFFERENT PARTS LIST	10
INDEX	17

INHALTSVERZEICHNIS

A. Motors (1)	1
A. Motors (2)	2
B. Schaltkasten (B737)	3
C. Schaltkasten (B7380)	4
D. Schaltkasten	5
E. Für Materialkantensensor (Sonderausstattung)(1)	7
F. Für Materialkantensensor (Sonderausstattung)(2)	9
ZUBEHÖRLISTE	10
VERZEICHNIS	17

Notes sur l'utilisation de ce manuel de pièces détachées

1. Si le symbole  se trouve dans la colonne "Parts No. (N° de pièce)" ou dans la colonne "Assembly No. (N° jeu de pièces)", veuillez vous référer à la liste de pièces annexe page 10.
2. Le symbole  dans la colonne "N° de pièce" signifie que la pièce ne peut être fournie. Si, dans la colonne "N° jeu de pces", il y a un numéro de nomenclature, la pièce peut être commandée comme faisant partie d'un jeu de pièces. Donc, pour toute commande, veuillez spécifier le n° du jeu de pièces.
3. Ce manuel a été fait d'après les renseignements valables au mois de Septembre 1989.
4. Les pièces peuvent être sujettes à des modifications sans préavis.

Notas para usar este Libro de Piezas

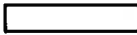
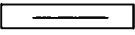
1. De haber un símbolo  junto al "Parts No. (Número de Pieza)" o en la columna del "Assembly No. (Número de Juego)", habrá que mirar la lista de piezas separada de la página 10.
2. El símbolo , que se encuentra en la columna del "Número de Pieza", quiere decir que no se dispone de dicha pieza sola. Cuando, empero, hay un número en la columna del "Número de Juego", se podrá ordenar la pieza con todo el juego. Por lo tanto, será mejor hacer el pedido recurriendo al número del juego respectivo.
3. Este libro ha sido compilado basándose en los datos de que se disponía en septiembre de 1989.
4. Las piezas quedan sujetas a cambios de diseño sin aviso previo.

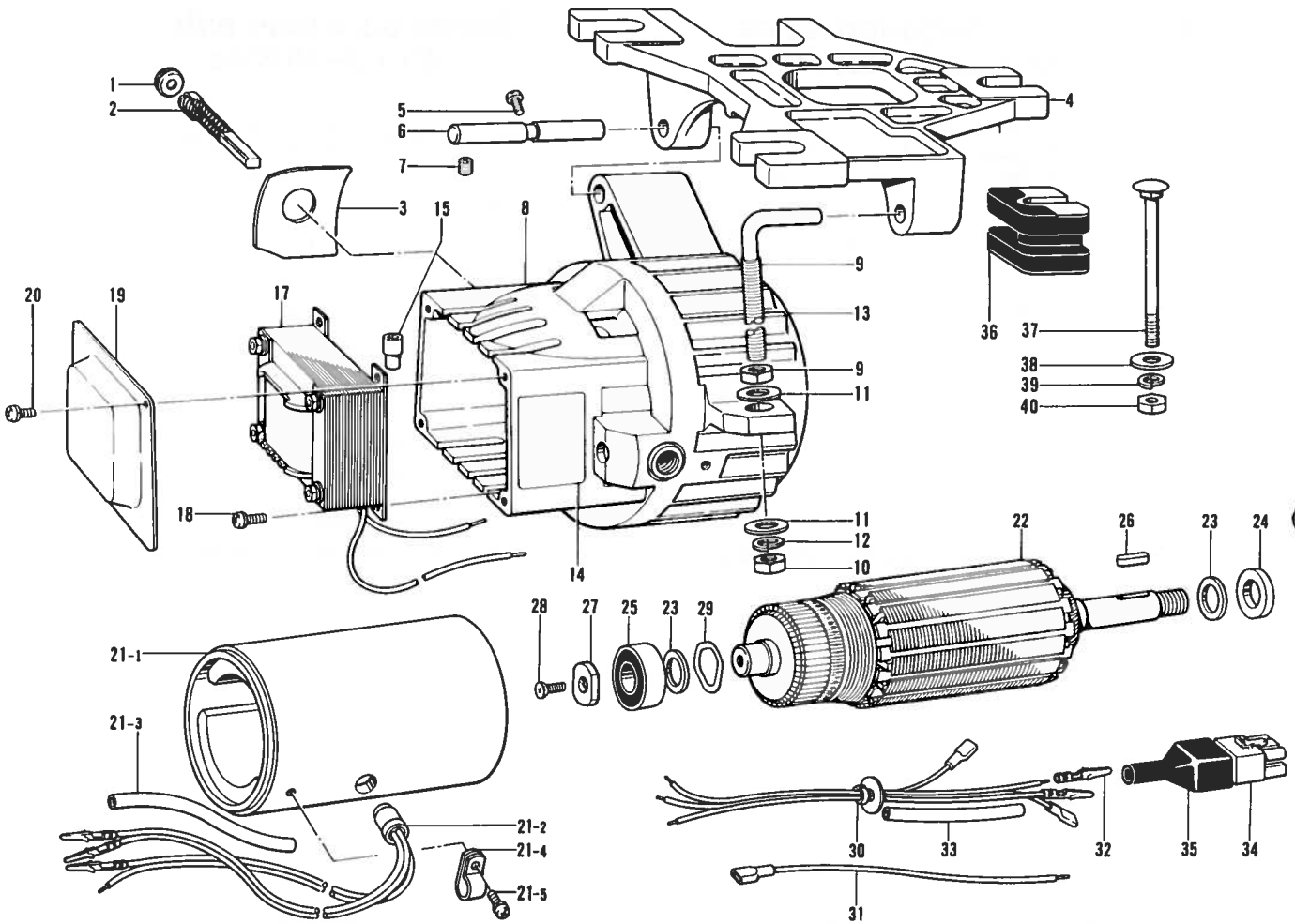
TABLE DES MATIERES

A.	Mécanisme du Moteur (1)	1
A.	Mécanisme du Moteur (2)	2
B.	Mécanisme du boîtier de contrôle (B737)	3
C.	Mécanisme du boîtier de contrôle (B7380)	4
D.	Boîtier d'interrupteurs	5
E.	Capteur de bord de tissu relatif (en option)(1)	7
F.	Capteur de bord de tissu relatif (en option)(2)	9
	LISTE DES PIECES ACCESSOIRES	10
	INDEX	17

INDICA

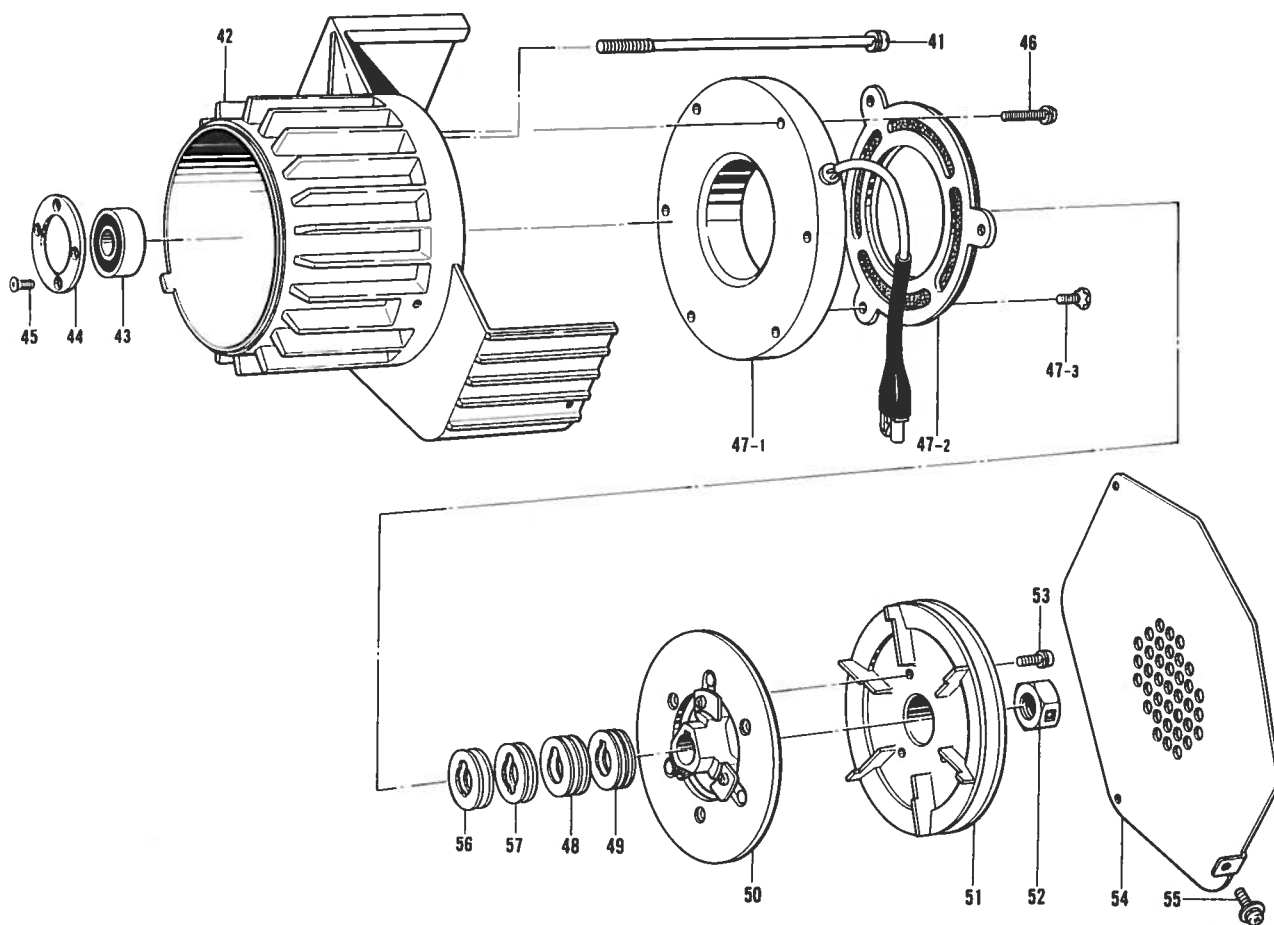
A.	Mecanismo del Motor (1)	1
A.	Mecanismo del Motor (2)	2
B.	Mecanismo del caja de controles (B737)	3
C.	Mecanismo del caja de controles (B7380)	4
D.	Caja de interruptores	5
E.	Piezas relacionadas al detector de borde de tejidos (opcional)(1)	7
F.	Piezas relacionadas al detector de borde de tejidos (opcional)(2)	9
	LISTA DE PIEZAS ACCESORIAS	10
	INDICE	17

A. Motor Mechanism (1) / Motors (1) Mécanisme du Moteur (1) / Mecanismo del Motor (1)



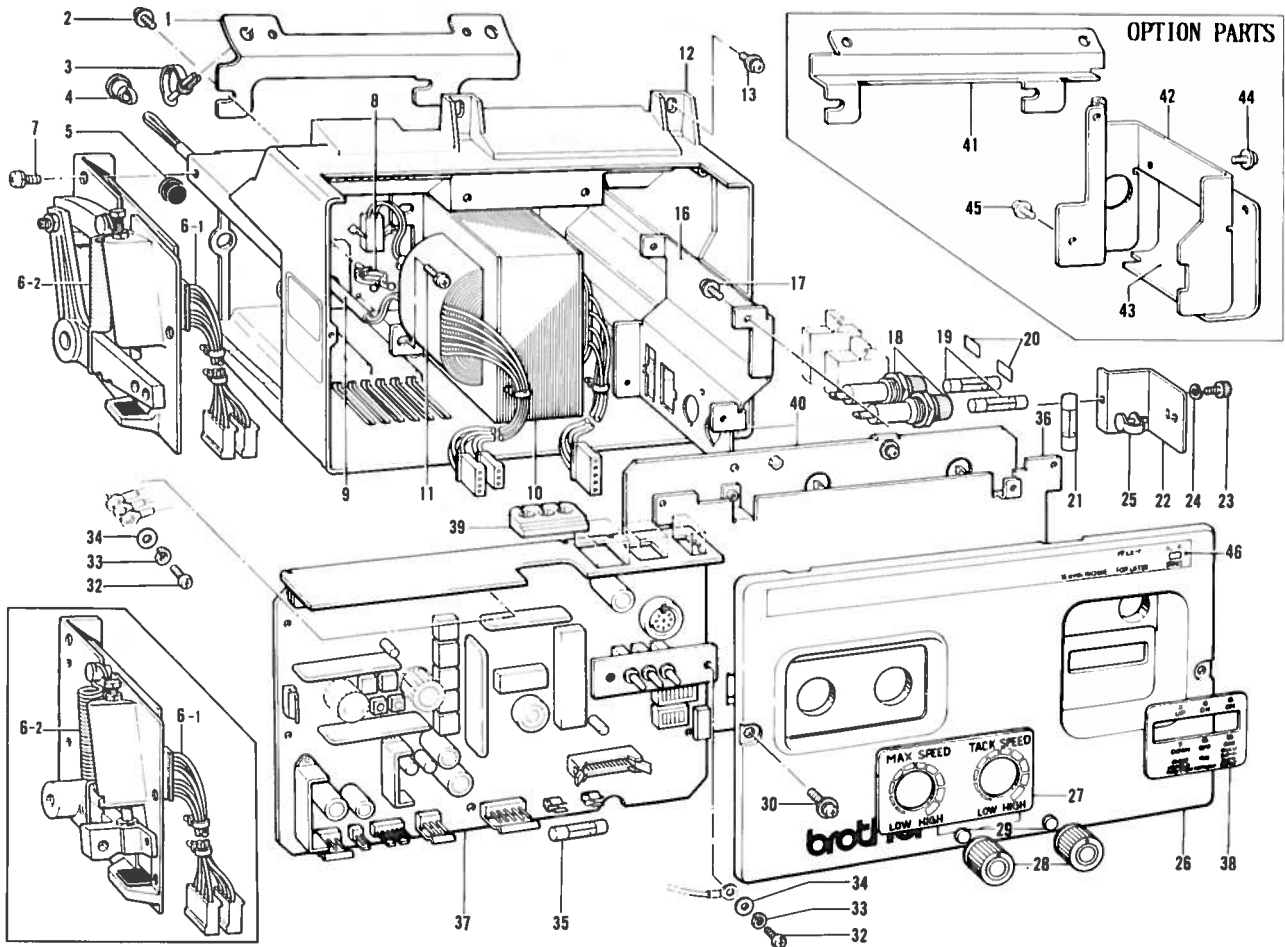
Ref. No.	Name of Parts	Q'ty	Parts No.	Assembly No.	Ref. No.	Name of Parts	Q'ty	Parts No.	Assembly No.
1	Holder Cap	2	224475-001		21-4	Cord Holder #7	1	224504-001	
2	MD Carbon Brush Assembly	1			21-5	Screw 4×8	1	008400-805	
3	Insulation Sheet	2	224476-000		22	Rotor #145	1		
4	Base	1			23	Washer 2×15×22ST	2	224485-000	
5	Screw 6×10	1	062061-005		24	Washer 2.3×15×26ST	1	224487-000	
6	Pin 9.3×83	1	224540-001		25	Bearing 6202VV #2	1	076202-601	
7	Screw 6×8クボミ	2	014060-832		26	Key 5×5×20	1	231008-001	
8	DC Bracket Assembly (L) #3	1			27	Washer 2.3×6.8×22ST	1	231009-001	
9	Bolt (L) 10	1	210965-081		28	Screw 5×12F	1	214897-001	
10	Nut 2-10	1	021100-206		29	Washer 0.3×27.5×34.9	1	203684-001	
11	Washer 10	2	025100-236		30	Reacted Cord Assembly	1	229930-001	
12	Spring Washer 2-10	1	028100-246		31	Terminal Cord	1	228226-001	
13	MD Motor Assembly	1			32	Plug Pin	1	217133-001	
14	MD Motor Label	1			33	Tube 11×370PV	1	228228-001	
15	Connector #3	2	214808-000		34	6P Plug Pin	1	219582-001	
17	Reactor 35 mh Assembly #2	1	228221-001		35	Plug Cover #11	1	219603-001	
18	Screw 4×10D	4	215080-001		36	Rubber Cushion #5	3	213646-001	
19	Reactor Cover	1	228222-001		37	Bolt 8×85	3	210973-001	
20	Screw 4×10DB	2	216872-001		38	Washer 2.3×8.5×38ST	3	213650-001	
21-1	Yoke Assembly #3	1	230432-001	A-21 Frame Assembly #2 230431-001	39	Spring Washer 2-8	3	028080-246	
21-2	Thermister #5	1	229335-001		40	Nut 2-8	3	021080-206	
21-3	Tube 7×65	1	226671-001						

A. Motor Mechanism (2) / Motors (2)
 Mécanisme du Moteur (2) / Mecanismo del Motor (2)



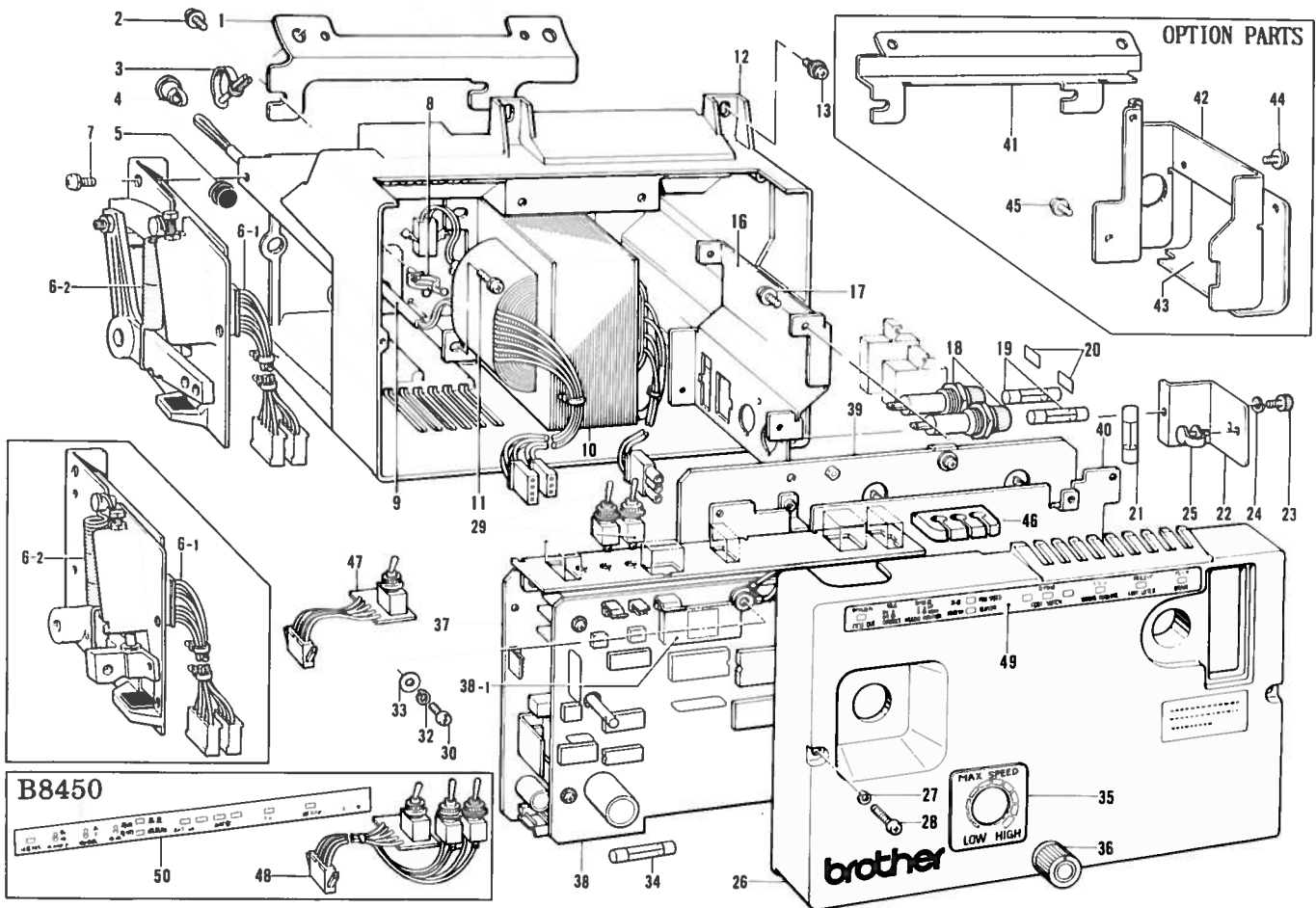
Ref. No.	Name of Parts	Q'ty	Parts No.	Assembly No.	Ref. No.	Name of Parts	Q'ty	Parts No.	Assembly No.
41	Screw 6X150D	4	228216-001		49	Washer 01X15.1X30ST	4	219517-000	
42	DC Bracket (R) #3	1	230999-001		50	Brake (A10) Amature Assembly #4	1	231013-001	
43	Bearing 6202VV #2	1	076202-601		51	Pully	1		
44	Bearing Washer	1	231000-001		52	Nut 2	1	210240-001	
45	Screw 4X12	4	061401-205		53	Screw 5X12	3	211528-001	
46	Screw 5X20	3	051502-005		54	Belt Cover	1	224507-002	
47-1	Brake (A10) Stator	1	230837-001	A-47 Brake (A10) Stator Assembly	55	Screw 4X10DC	3	224508-001	
47-2	Brake (A10) Lining	1	230838-001	230836-001	56	Washer 012X15.1X30ST	2	231458-001	
47-3	Screw 5X12F	3	214897-001		57	Washer 03X15.1X30ST	2	224503-000	
48	Washer 015X15.1X30ST	4	222753-000						

B. Control Box / Schaltkasten / Mécanisme du boîtier de contrôle:
 Mecanismo del caja de controles (B737)



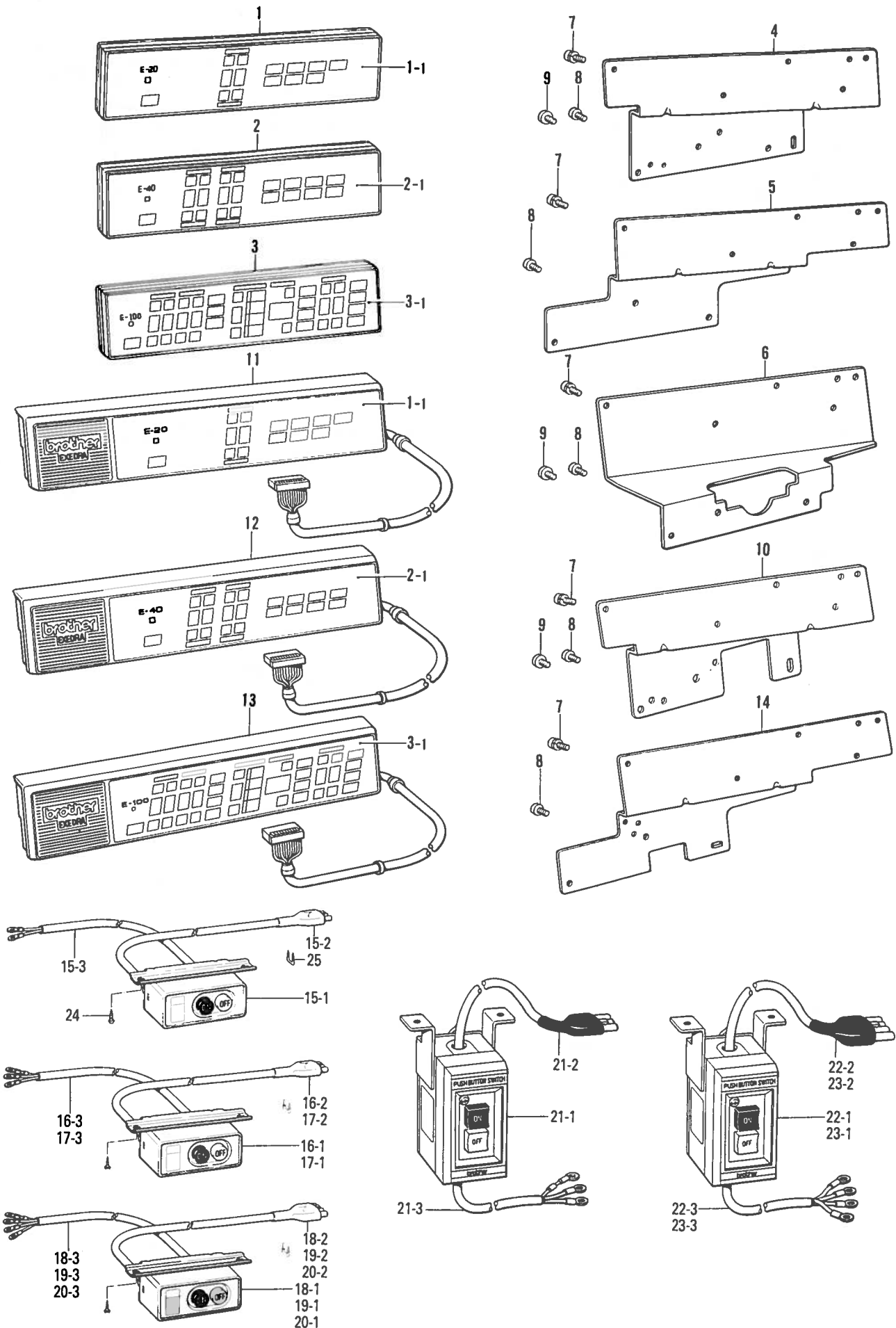
Ref. No.	Name of Parts	Q'ty	Parts No.	Assembly No.	Ref. No.	Name of Parts	Q'ty	Parts No.	Assembly No.
1	Install Plate #4	1	228277-001		24	Spring Washer 2-4	1	028040-245	
2	Set Screw 5x12B	6	214447-001		25	Lead Clamper	1	216740-001	
3	Lead Clamper #12	2	224091-001		26	Box Cover #3	1	233121-001	
4	Bushing #61	1	215971-001		27	VR Indication Label #2	1	229558-001	
5	Oil Cap	1	104821-001		28	VR Control Knob	2	221024-001	
6-1	P.S Circuit Board	1		B-6 Treadle Unit Assembly #11	29	VR Spacer	2	228324-001	
6-2	Treadle Spring #5	1			30	Screw 4x12D	2	217093-001	
7	Set Screw 5x10D	3	216596-001		32	Screw 4x12	2	062401-263	
8	Perse Rock-16	1			33	Spring Washer 2-4	2	028040-245	
9	Varnish Glass 10x50	1	228284-001		34	Washer 4	2	025040-173	
10	Transformer	1			35	Fuse 8A	1	219225-000	
11	Set Screw 4x8DB	4	216872-001		36	Circuit Setting Plate	1	228294-001	
12	Box	1	228287-001		37	Control Circuit Unit #500B	1		
13	Set Screw 5x12B	2	214447-001		38	Switch Emblem Plate #500	1	233123-001	
16	Connector Bracket	1			39	Cord Bushing	1	233193-001	
17	Set Screw 4x8DB	4	216872-001		40	Power Circuit Unit	1		
18	Fuse Holder Assembly				41	Install Plate #5	1	235902-001	
19	Fuse				42	Conduit Setting Plate	1	235903-001	
20	Label				43	Connector Cover	1	235904-001	
21	Fuse 1A	1	225432-001		44	Screw 4x10DC	2	224508-001	
22	Fuse Cover	1	228280-001		45	Screw 4x10DA	2	229017-001	
23	Bolt 4x8	1	018400-832		46	Seal	1	229558-001	

C. Control Box / Schaltkasten / Mécanisme du boîtier de contrôle:
Mecanismo del caja de controles (B7380)



Ref. No.	Name of Parts	Q'ty	Parts No.	Assembly No.	Ref. No.	Name of Parts	Q'ty	Parts No.	Assembly No.
1	Install Plate	1	228277-001		26	Box Cover #2-2(B8450)	1	235029-001	
2	Set Screw 5x12B	4	214447-001		27	Spring Washer 2-4	2	028040-245	
3	Lead Clamper	2	224091-001		28	Screw 4x45	2	228415-001	
4	Bushing #61	1	215971-001		29	BT Switch Code Assembly	2	234137-001	
5	Oil Cap	1	104821-001		30	Screw 4x10	1	062401-063	
6-1	P.S Circuit Board	1		C-5 Treadle Unit Assembly	32	Spring Washer 2-4	1	028040-245	
6-2	Treadle Spring	1			33	Washer 4	1	025040-173	
7	Set Screw 5x10D	3	216596-001		34	Fuse 8A	1	219225-000	
8	Perse Reck - 16	1			35	VR Indication Label	1	229943-001	
9	Varnish Glass T10x50	1	228284-001		36	VR Control Knob	1	221024-001	
10	Transformer	1			37	Control Circuit Unit 470DB	1		
11	Set Screw 4x8DB	4	216872-001		38	Control Circuit Unit 470C	1		
12	Box	1	228287-001		38-1	PROM	1		
13	Set Screw 5x12B	2	214447-001		39	Power Circuit Unit	1		
16	Connector Bracket	1			40	Circuit Seating Plate	1	228294-001	
17	Set Screw 4x8DB	4	216872-001		41	Install Plate #5	1	235902-001	
18	Fuse Holder Assembly				42	Conduit Setting Plate	1	235903-001	
19	Fuse				43	Connector Cover	1	235904-001	
20	Label	2			44	Screw 4x10DC	2	224508-001	
21	Fuse 1A	1	225432-001		45	Screw 4x10DA	2	229017-001	
22	Fuse Cover	1	228280-001		46	Cord Bushing #2	1	235052-001	
23	Bolt 4x8	1	018400-832		47	BT-Switch Code Assembly	1	234030-001	
24	Spring Washer 2-4	1	028040-245		48	BT-Switch Code Assembly #8	1	235044-001	
25	Lead Clamper	1	216740-001		49	Seal	1	234060-001	
26	Box Cover #2	1	228414-001		50	Seal (B8450)	1	235009-001	

D. Operation panel and Switch Box Mechanism / Schaltkasten
 Boîtier d'interrupteurs / Caja de interruptores



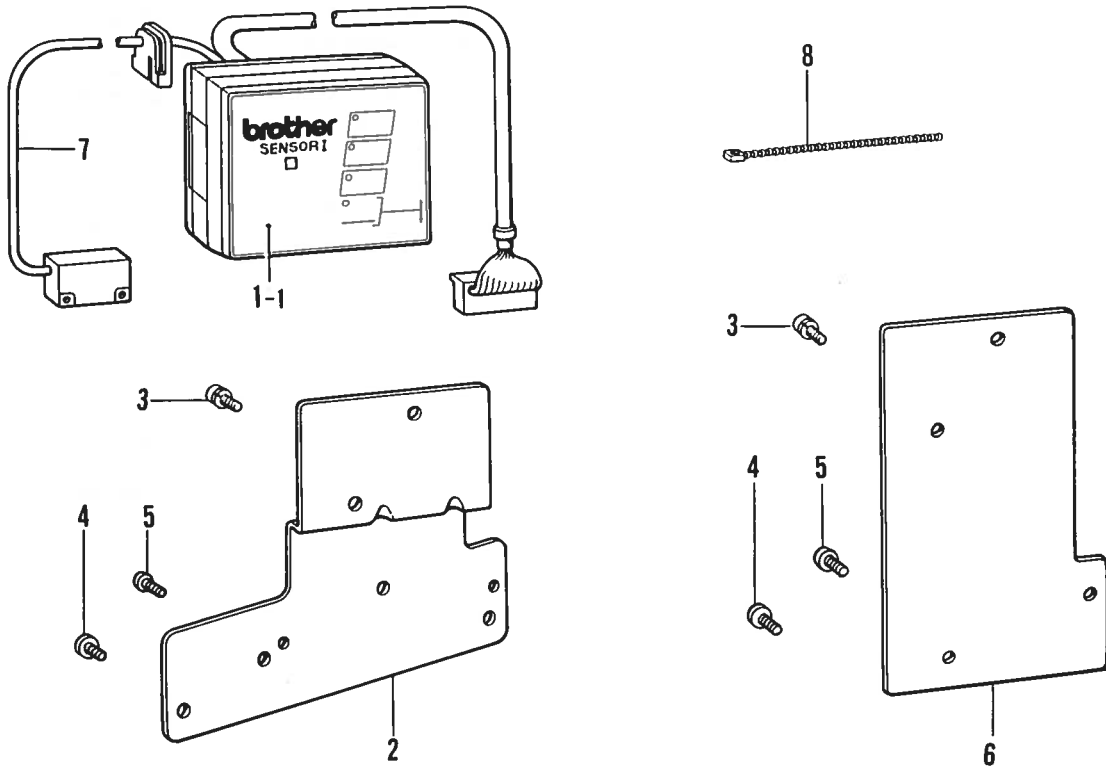
Ref. No.	Name of Parts	Q'ty	Parts No.	Assembly No.	Ref. No.	Name of Parts	Q'ty	Parts No.	Assembly No.
1	E-20 Operation Panel	1	※		17-1	2P Switch #19	1	225539-001	17
1-1	HB-Plate	1	233085-001		17-2	3P Plug Assembly #10-3	1	230543-001	2P Switch Assembly #19-4
2	E-40 Operation Panel	1	※		17-3	Electric Supply Cord	1	230544-001	230542-001
2-1	HB-Plate	1	233079-001		18-1	3P Switch #11	1	224510-001	18
3	E-100 Operation Panel	1	※		18-2	4P Plug Assembly #11-3	1	229245-001	2P Switch Assembly #11-6
3-1	HB-FDC Assembly 100-1	1	233074-001		18-3	Electric Cord #5	1	229246-001	229244-001
4	HB-Setting Plate #1	1	233088-001		19-1	3P Switch #11	1	224510-001	19
5	HB-Setting Plate #3	1	233090-001		19-2	4P Plug Assembly #11	1	228272-001	3P Switch Assembly #11-7
6	HB-Setting Plate #4	1	233576-001		19-3	Electric Supply Cord #3	1	224513-001	229250-001
7	Screw 4X12DA	1	215082-002		20-1	3P Switch #11	1	224510-001	20
8	Screw 4X12	1	062681-212		20-2	4P Plug Assembly #11-5	1	230546-001	3P Switch Assembly #11-8
9	Screw 357-40X12	3	060671-212		20-3	Electric Supply Cord	1	230547-001	230545-001
10	HB-Setting Plate #2	1	233089-001		21-1	2PSwitch #16	1	223739-001	21
11	E-20 Operation Panel	1	※		21-2	3P Plug Assembly #10-4	1	235533-001	2P Switch Assembly #16-2
12	E-40 Operation Panel	1	※		21-3	Electric Supply Cord	1	235534-001	230548-001
13	E-100 Operation Panel	1	※		22-1	3P Switch #9-3	1	223738-001	22
14	HB Setting Plate #5	1	234588-001		22-2	4P Plug Assembly #11-4	1	230444-001	3P Switch Assembly #9-11
15-1	2P Switch #19	1	225539-001	15	22-3	Electric Supply Cord	1	230445-001	230443-001
15-2	3P Plug Assembly #10	1	228243-001	2P Switch Assembly #19-3	23-1	3P Switch #9	1	215504-001	23
15-3	Electric Supply Cord	1	229241-001	229240-001	23-2	4P Plug Assembly #11-6	1	230550-001	3P Switch Assembly #9-12
16-1	2P Switch #19	1	225539-001	16	23-3	Electric Supply Cord #7	1	230551-001	230549-001
16-2	3P Plug Assembly #10-2	1	229238-001	2P Switch Assembly #19-2	24	Screw 45X16	2	S03816-001	
16-3	Electric Supply Cord #2	1	229239-001	229237-001	25	Steple	5	200190-001	

※ Use the replacement part product code number given in the table below for parts marked with an asterisk (*).

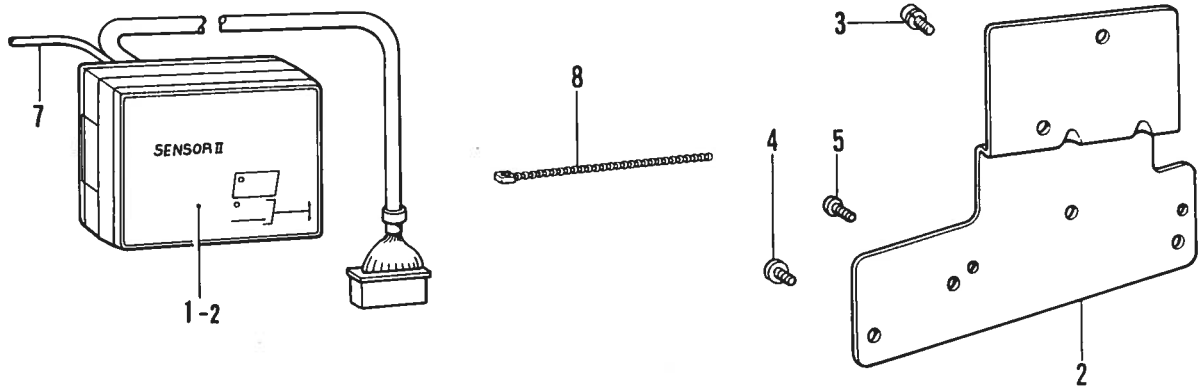
Machine Model	Ref. No.	Operation Panel	
		Supply Parts No.	
B737 Mark II	D-11	E- 20	137-208-911-11
	D-12	E- 40	137-208-912-11
	D-13	E-100	137-208-913-11
B748, 791, 791-003, 798 B774, 795, 795-015 B842, 872(Twin Needle) B852, 853, 854	D- 1	E- 20	137-208-911-20
	D- 2	E- 40	137-208-912-20
	D- 3	E-100	137-208-912-20

E. Material Edge Sensor Related (Option) (1) /
 Für Materialkantensensor (Sonderausstattung) (1) /
 Capteur de bord de tissu relatif (en option) (1) /
 Piezas relacionadas al detector de borde de tejidos (opcional) (1)

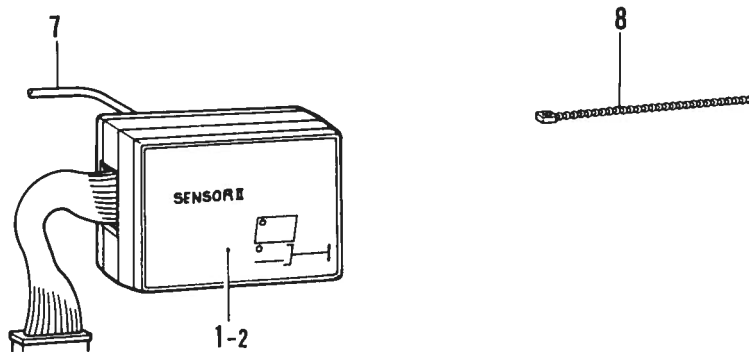
Sensor I



Sensor II (Mark II)



Sensor II



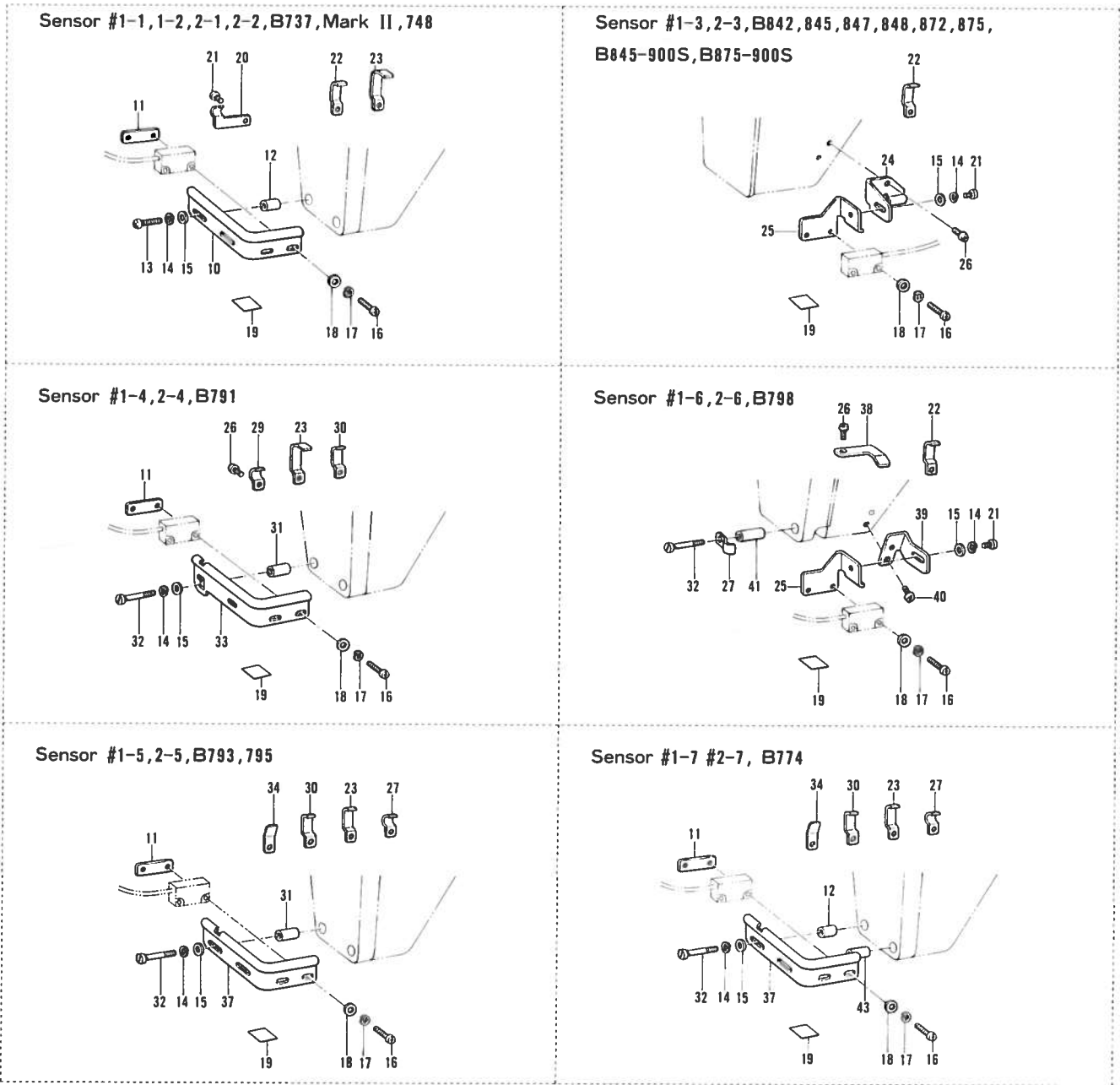
Sensor I

Ref. No	Machine Model	Mark II B748		For (Twin Needle)	B791	B793, 774	B798
	Name of Parts						
	Name of Sensor	#1-1		#1-3	#1-4	#1-5 #1-7	#1-6
1-1	Emblem Plate	233258-001					
7	Sensor Cord Assembly	233263-001		233263-001	233619-001	233263-001	233263-001
3	Screw 4 X 12DA	215082-002					
2	Setting Plate	233093-001		233093-001	233093-001	—	233093-001
6	Setting Plate	—		—	—	233603-001	—
4	Screw 357-40 X 12	—		—	060671-212 (Old)	060671-212 (B793)	060671-212
5	Screw 437-40 X 12	062681-212		062681-212	062681-212 (New)	062681-212 (B774)	—
8	Band N-108	233501-001					

Sensor II

Ref. No	Machine Model	Mark II	B748	For (Twin Needle)	B791	B793, 774	B798
	Name of Parts						
	Name of Sensor	#2-2	#2-1	#2-3	#2-4	#2-5 #2-7	#2-6
1-2	Emblem Plate	233268-001					
7	Sensor Cord Assembly	233263-001	233263-001	233263-001	233619-001	233619-001	233263-001
2	Setting Plate	233093-001	—				
3	Screw 4 X 12DA	—	015082-002				
4	Screw 357-40 X 12	—		—	060671-212 (Old)	060671-212 (Old)	060671-212
5	Screw 437-40 X 12	062681-212		062681-212	062681-212 (New)	062681-212 (B774)	—
8	Band N-108	233501-001					

F. Material-Edge Sensor Related (option) (2) /
 Für Materialkantensensor (Sonderausstattung) (2) /
 Capteur de bord de tissu relatif (en option) (2) /
 Piezas relacionadas al detector de borde de tejidos (opcional) (2)



Ref. No.	Name of Parts	Q'ty	Parts No.	Assembly No.	Ref. No.	Name of Parts	Q'ty	Parts No.	Assembly No.
10	Sensor Plate	1	233091-001		25	Sensor Setting Plate (#3)	1	233544-001	
11	Sensor Setting	1	233092-001		26	Screw 437X8	2	062680-812	
12	Sensor Setting Plate Collar	2	233067-001		27	Cord Holder (U1)	2	S02701-001	
13	Screw 357X20	2	062672-012		29	Cord Holder (#2)	1	233604-001	
14	Spring Washer 2-3.5	2	028350-242		30	Cord Holder (L)	2	142268-001	
15	Washer 3.5	2	026350-132		31	Sensor Setting Collar (#2)	2	233575-001	
16	Screw 3X14	2	062301-402		32	Screw 3.57	2	151431-001	
17	Spring Washer 2-3	2	028030-242		33	Sensor Plate (#791)	1	233573-001	
18	Washer 3	2	025030-132		34	Cord Holder (#3)	1	233618-001	
19	Alumi Sheet	1	233063-001		37	Sensor Plate (#793)	1	233574-001	
20	Cord Holder	1	233500-001		38	Cord Holder (#4)	1	233696-001	
21	Screw 357X6	1	062670-612		39	Sensor Plate (#798)	1	233694-001	
22	Cord Holder (U2)	2	S02702-001		40	Screw 357X8	1	062670-812	
23	Cord Holder (U3)	2	S02703-001		41	Sensor Setting Collar (#3)	1	233695-001	
24	Sensor Holder (A)	1	233545-001		43	Sensor Setting Collar 175	1	236315-001	

DIFFERENT PARTS LIST / ZUBEHORLISTE
LISTE DES PIECES ACCESSOIRES / LISTA DE PIEZAS ACCESORIAS

Machine Model		Mark II								
Ref.No.	Sub-Class	Single Phase					Three Phase			
	Voltage (V)	110	120	220	230	240	220	380	415	
A-2	Carbon Brush Assembly	231556-001					231558-001			
A-4	Base	224495-002 225938-002 235560-001 225938-003 (Hong-Kong)								
A-8	Bracket Assembly (L) #3	231001-001					231003-001			
A-13	DC.Motor Assembly	291823-001 (C)	388113-001 (A2)	388574-001 (A)	388584-001 (A4)	388575-001 (A)	388576-001 (B)	388120-001 (B2)		
A-22	Rotor	231646-001	388114-001 (A3) (Hong-Kong)			388663-001 (A4)	388585-001 (B4)			
A-51	Pulley	228840-000 M 80-1								
		228237-001 M 90-1								
		228839-001 M105-2								
		231017-001 M125-2								
B C-6	Treadle Unit Assembly #11	291790-001								
B C-6-1	Circuit Board #11	291792-001								
B C-6-2	Treadle Spring #11	231080-001								
B C-6	Treadle Unit Assembly #10	291789-001	—			291789-001	—			
B C-6-1	Circuit Board #10	291791-001	—			291791-001	—			
B C-6-2	Treadle Spring #10	236207-001	—			236207-001	—			
B C-8	Perse Rock-16	228290-001					229224-001			
B C-10	Trans fomer	6V	229963-001	236126-001	229643-001	229645-001	229646-001	229643-001	229561-001	230214-001
		12V	—	—	230660-001	—	231335-001	230660-001	229623-001	229644-001
B C-18	Fuse Holer Assembly	225433-001(Q'ty1)					224087-001 (Q'ty2)			
B C-19	Fuse	218469-001 (15A)(Q'ty1)		219225-001 (8A)(Q'ty1)		215822-001 (5A)(Q'ty2)	215769-001 (3A)(Q'ty2)			
B C-20	Label	224090-001		233638-001		224089-001	229160-001			
B C-37	Control Circuit Unit	291782-110		291782-123		291782-323	291782-340			
C-38	Control Circuit Unit	—								
B-40 C-39	Power Circuit Unit	291273-101	388662-101	291274-101		291275-101	291276-101			
D-15 D-23	Switch Assembly	229240-001		229237-001		229250-001	229244-001			
		230548-001 (USA)		—		236127-001 (Australia)	230443-001 (OCR)	230549-001 (OCR)		
		230542-001 (Canada)		—		230545-001 (Canada)	—			

Machine Model		B7380							
Ref.No.	Sub-Class	Single Phase				Three Phase			
	Voltage (V)	110	220	230	240	220	380	415	
A-2	Corbon Brush Assembly	231556-001				231558-001			
A-4	Base	224495-002 235560-001		225938-002 225938-003		(Hong-Kong)			
A-8	Bracket Assembly (L) #3	231001-001				231003-001			
A-13	DC.Motor Assembly	291823-001 (C)	388113-001 (A2)	388574-001 (A)	388584-001 (A4)	388575-001 (A)	388576-001 (B)	388120-001 (B2)	
A-22	Rotor	231646-001	388114-001(A3) (Hong-Kong)			388663-001 (A4)	388585-001 (B4)		
A-51	Pulley	228237-001 M 90-1							
		231017-001 M125-2							
B C-6	Treadle Unit Assembly #8	291442-001							
B C-6-1	Circuit Board #8	291443-001							
B C-6-2	Treadle Spring #8	231080-001							
B C-6	Treadle Unit Assembly #7	291281-001		—		291281-001		—	
B C-6-1	Circuit Board #7	291282-001		—		291282-001		—	
B C-6-2	Treadle Spring #7	236207-001		—		236207-001		—	
B C-8	Perse Rock-16	228290-001				229224-001			
B C-10	Trans fomer	6V	229946-001	229218-001	229222-001	229223-001	229218-001	229219-001	230435-001
		12V	—	230661-001	—	231336-001	230661-001	229220-001	229221-001
B C-18	Fuse Holer Assembly	225433-001(Q'ty1)				224087-001 (Q'ty2)			
B C-19	Fuse	218469-001 (5A)(Q'ty1)	219225-001 (8A)(Q'ty1)		215822-001 (5A)(Q'ty2)		215769-001 (3A)(Q'ty2)		
B C-20	Label	224090-001		233638-001		224089-001		229160-001	
B C-37	Control Circuit Unit	291786-110		291786-123		291786-323		291786-340	
C-38	Control Circuit Unit	291788-001							
C-38-1	PROM	234032-001(A25A)							
B-40 C-39	Power Circuit Unit	291273-101		291274-101		291275-101		291276-101	
D-15 D-23	Switch Assembly	229240-001		229237-001		229250-001		229244-001	
		230548-001 (USA)		—		236127-001 (Australia)		230443-001 (OCR)	230549-001 (OCR)
		230542-001 (Canada)		—		230545-001 (Canada)		—	

Machine Model			B7910							
Ref.No.	Sub-Class		Single Phase				Three Phase			
	Voltage (V)		110	220	230	240	220	380	415	
A-2	Corbon Brush Assembly		231556-001				231558-001			
A-4	Base		224495-002 235560-002		225938-002 225938-003		(Hong-Kong)			
A-8	Bracket Assembly (L) #3		231001-001				231003-001			
A-13	DC.Motor Assembly		291823-001 (C)	388113-001 (A2)	388574-001 (A)	388584-001 (A4)	388575-001 (A)	388576-001 (B)	388120-001 (B2)	
A-22	Rotor		231646-001	231004-001			231018-001			
A-51	Pulley		228237-001 M 90-1							
			231017-001 M125-2							
B C-6	Treadle Unit Assembly #8		291442-001							
B C-6-1	Circuit Board #8		291443-001							
B C-6-2	Treadle Spring #8		231080-001							
B C-6	Treadle Unit Assembly #7		291281-001		—		291281-001		—	
B C-6-1	Circuit Board #7		291282-001		—		291282-001		—	
B C-6-2	Treadle Spring #7		236207-001		—		236207-001		—	
B C-8	Perse Rock-16		228290-001				229224-001			
B C-10	Trans fomer		6V	229946-001	229218-001	229222-001	229223-001	229218-001	229219-001	230435-001
			12V	—	230661-001	—	231336-001	230661-001	229220-001	229221-001
B C-18	Fuse Holer Assembly		225433-001(Q'ty1)				224087-001 (Q'ty2)			
B C-19	Fuse		218469-001 (15A)(Q'ty1)	219225-001 (8A)(Q'ty1)		215822-001 (5A)(Q'ty2)		215769-001 (3A)(Q'ty2)		
B C-20	Label		224090-001		233638-001		224089-001		229160-001	
B C-37	Control Circuit Unit		291786-110		291786-123		291786-323		291786-340	
C-38	Control Circuit Unit		388255-001							
C-38-1	PROM		234034-001(A25E)							
B-40 C-39	Power Circuit Unit		291273-101		291274-101		291275-101		291276-101	
D-15 D-23	Switch Assembly		229240-001		229237-001		229250-001		229244-001	
			230548-001 (USA)		—		236127-001 (Australia)		230443-001 (OCR)	
			230542-001 (Canada)		—		230545-001 (Canada)		—	

Machine Model		B7740							
Ref.No.	Sub-Class	Single Phase				Three Phase			
	Voltage (V)	110	220	230	240	220	380	415	
A-2	Carbon Brush Assembly	231556-001				231558-001			
A-4	Base	224495-002 235560-001				225938-002 225938-003 (Hong-Kong)			
A-8	Bracket Assembly (L) #3	231001-001				231003-001			
A-13	DC.Motor Assembly	291823-001 (C)	388113-001 (A2)	388574-001 (A)	388584-001 (A4)	388575-001 (A)	388576-001 (B)	388120-001 (B2)	
			388114-001(A3) (Hong-Kong)		388663-001 (A4)	388585-001 (B4)			
A-22	Rotor	231616-001	231004-001			231018-001			
A-51	Pulley	228237-001 M 90-1							
		228840-001 M105-2							
B C-6	Treadle Unit Assembly #8	291442-001							
B C-6-1	Circuit Board #8	291443-001							
B C-6-2	Treadle Spring #8	231080-001							
B C-6	Treadle Unit Assembly #7	291281-001		—	291281-001		—		
B C-6-1	Circuit Board #7	291282-001		—	291282-001		—		
B C-6-2	Treadle Spring #7	236207-001		—	236207-001		—		
B C-8	Perse Rock-16	228290-001				229224-001			
B C-10	Trans fomer	6V	229946-001	229218-001	229222-001	229223-001	229218-001	229219-001	230435-001
		12V	—	230661-001	—	231336-001	230661-001	229220-001	229221-001
B C-18	Fuse Holer Assembly	225433-001(Q'ty1)				224087-001 (Q'ty2)			
B C-19	Fuse	218469-001 (15A)(Q'ty1)	219225-001 (8A)(Q'ty1)		215822-001 (5A)(Q'ty2)		215769-001 (3A)(Q'ty2)		
B C-20	Label	224090-001		233638-001		224089-001		229160-001	
B C-37	Control Circuit Unit	291786-110		291786-123		291786-323		291786-340	
C-38	Control Circuit Unit	388256-001							
C-38-1	PROM	235039-001(A25H)							
B-40 C-39	Power Circuit Unit	291273-101	291274-101			291275-101	291276-101		
D-15 D-23	Switch Assembly	229240-001		229237-001		229250-001		229244-001	
		230548-001 (USA)	—	236127-001 (Australia)		230443-001 (OCR)		230549-001 (OCR)	
		230542-001 (Canada)	—			230545-001 (Canada)		—	

Machine Model		B8450								
Ref.No.	Sub-Class	Single Phase				Three Phase				
	Voltage (V)	110	220	230	240	220	380	415		
A-2	Carbon Brush Assembly	231556-001				231558-001				
A-4	Base	224495-002 235560-001		225938-002 225938-003		(Hong-Kong)				
A-8	Bracket Assembly (L) #3	231001-001				231003-001				
A-13	DC.Motor Assembly	291823-001 (C)	388113-001 (A2)	388574-001 (A)	388584-001 (A4)	388575-001 (A)	388576-001 (B)	388120-001 (B2)		
			388114-001(A3) (Hong-Kong)		388663-001 (A4)	388585-001 (B4)				
A-22	Rotor	231646-001	231004-001				231018-001			
A-51	Pulley	228840-000 M 80-1								
B C-6	Treadle Unit Assembly #8	291442-001								
B C-6-1	Circuit Board #8	291443-001								
B C-6-2	Treadle Spring #8	231080-001								
B C-6	Treadle Unit Assembly #7	291281-001		—		291281-001		—		
B C-6-1	Circuit Board #7	291282-001		—		291282-001		—		
B C-6-2	Treadle Spring #7	236207-001		—		236207-001		—		
B C-8	Perse Rock-16	228290-001				229224-001				
B C-10	Trans former	6V	229946-001	229218-001	229222-001	229223-001	229218-001	229219-001	230435-001	
		12V	—	230661-001	—	231336-001	235520-001	229220-001	229221-001	
B C-18	Fuse Holer Assembly	225433-001(Q'ty1)				224087-001 (Q'ty2)				
B C-19	Fuse	218469-001 (5A)(Q'ty1)	219225-001 (8A)(Q'ty1)		215822-001 (5A)(Q'ty2)		215769-001 (3A)(Q'ty2)			
B C-20	Label	224090-001	233638-001		224089-001		229160-001			
B C-37	Control Circuit Unit	388259-110	388259-123		388259-323		388259-340			
C-38	Control Circuit Unit	388257-001								
C-38-1	PROM	235041-001(A30E)								
B-40 C-39	Power Circuit Unit	291273-101	291274-101		291275-101		291276-101			
D-15 D-23	Switch Assembly	229240-001	229237-001		229250-001		229244-001			
		230548-001 (USA)	—		236127-001 (Australia)	230443-001 (OCR)		230549-001 (OCR)		
		230542-001 (Canada)	—		230545-001 (Canada)		—			

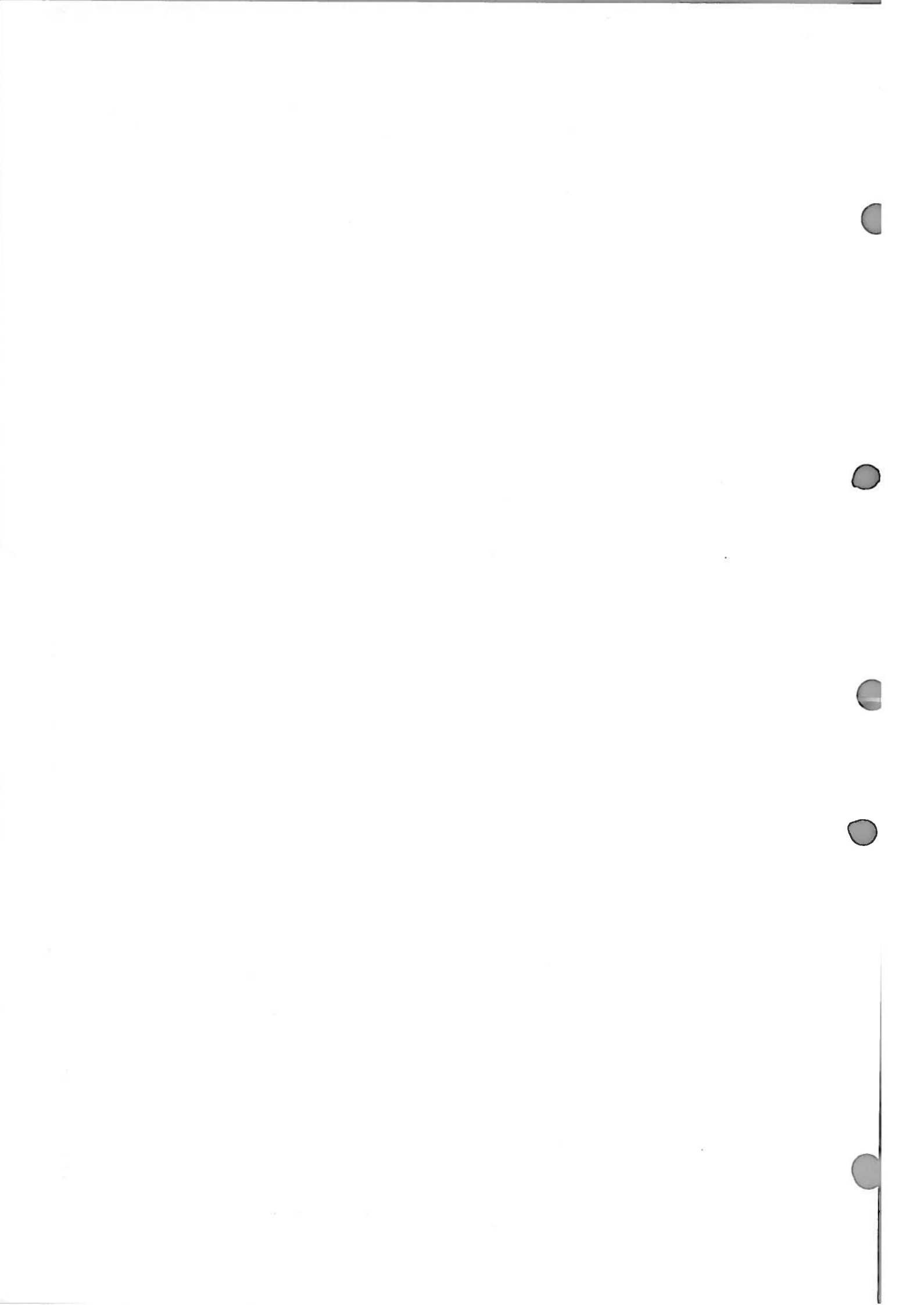
Machine Model		B845-900S							
Ref.No.	Sub-Class	Single Phase				Three Phase			
	Voltage (V)	110	220	230	240	220	380	415	
A-2	Carbon Brush Assembly	231556-001				231558-001			
A-4	Base	224495-002 235560-001		225938-002 225938-003		(Hong-Kong)			
A-8	Bracket Assembly (L) #3	231001-001				231003-001			
A-13	DC.Motor Assembly	291823-001 (C)	388113-001 (A2)	388574-001 (A)	388584-001 (A4)	388575-001 (A)	388576-001 (B)	388120-001 (B2)	
			388114-001 (Hong-Kong)		388663-001 (A4)	388585-001 (B4)			
A-22	Rotor	231646-001	231006-001				231018-001		
A-51	Pulley	228840-001 M 80-1							
B C-6	Treadle Unit Assembly #11	291790-001							
B C-6-1	Circuit Board #11	291792-001							
B C-6-2	Treadle Spring #11	231080-001							
B C-6	Treadle Unit Assembly #10	291789-001		—	291789-001		—		
B C-6-1	Circuit Board #10	291791-001		—	291791-001		—		
B C-6-2	Treadle Spring #10	236207-001		—	236207-001		—		
B C-8	Perse Rock-16	228290-001				229224-001			
B C-10	Trans fomer	6V	229963-001	229643-001	229645-001	229646-001	229643-001	229561-001	230214-001
		12V	—	230660-001	—	231335-001	230660-001	229623-001	229644-001
B C-18	Fuse Holer Assembly	225433-001 (Q'ty1)				224087-001 (Q'ty2)			
B C-19	Fuse	218469-001 (15A)(Q'ty1)	219225-001 (8A)(Q'ty1)		215822-001 (5A)(Q'ty2)	215769-001 (3A)(Q'ty2)			
B C-20	Label	224090-001	233638-001		224089-001	229160-001			
B C-37	Control Circuit Unit	388260-110	388260-123		388260-323	388260-340			
C-38	Control Circuit Unit	—							
B-40 C-39	Power Circuit Unit	291273-101	291274-101		291275-101	291276-101			
D-15 } D-23	Switch Assembly	229240-001	229237-001		229250-001	229244-001			
		230548-001 (USA)	—	236127-001 (Australia)	230443-001 (OCR)	230549-001 (OCR)			
		230544-001 (Canada)	—	—	230545-001 (Canada)	—			

Machine Model		ET								
Ref.No.	Sub-Class	Single Phase				Three Phase				
	Voltage (V)	110	220	230	240	220	380	415		
A-2	Carbon Brush Assembly	231556-001				231558-001				
A-4	Base	224495-002(2)		235560-001(4)						
A-8	Bracket Assembly (L) #3	231001-001				231003-001				
A-13	DC.Motor Assembly	388123-001 (C2)	388663-001 (A4)		388119-001 (A2)		388120-001 (B2)			
			388584-001 (A4)		388663-001 (A4)		388585-001 (B4)			
A-22	Rotor	231646-001	231004-001			231018-001				
A-51	Pulley	228840-000 M 80-1								
		228237-001 M 90-1								
		228839-001 M105-2								
		231017-001 M125-2								
B C-6	Treadle Unit Assembly #11	291790-001								
B C-6-1	Circuit Board #11	291792-001								
B C-6-2	Treadle Spring #11	231080-001								
B C-6	Treadle Unit Assembly #10	291789-001		—		291789-001		—		
B C-6-1	Circuit Board #10	291791-001		—		291791-001		—		
B C-6-2	Treadle Spring #10	236207-001		—		236207-001		—		
B C-8	Perse Rock-16	228290-001				229224-001				
B C-10	Trans former	6V	229963-001	229643-001	229645-001	229646-001	229643-001	229561-001	230214-001	
		12V	—	230660-001	—	231335-001	230660-001	229623-001	229644-001	
B C-18	Fuse Holer Assembly	225433-001(Q'ty1)				224087-001 (Q'ty2)				
B C-19	Fuse	218469-001 (15A)(Q'ty1)	219225-001 (8A)(Q'ty1)		215822-001 (5A)(Q'ty2)		215769-001 (3A)(Q'ty2)			
B C-20	Label	224090-001		233638-001		224089-001		229160-001		
B C-37	Control Circuit Unit	388250-110		388250-123		388250-323		388250-340		
C-38	Control Circuit Unit	—								
B-40 C-39	Power Circuit Unit	291273-101		291274-101		291275-101		291276-101		
D-15 D-23	Switch Assembly	229240-001		229237-001		229250-001		229244-001		
		230548-001 (USA)		—		236127-001 (Australia)		230443-001 (OCR)		230549-001 (OCR)
		230542-001 (Canada)		—		230545-001 (Canada)		—		

INDEX/VERZEICHNIS/INDEX/INDICE

部品コード Parts No.	参照番号 Ref. No.	部品コード Parts No.	参照番号 Ref. No.	部品コード Parts No.	参照番号 Ref. No.	部品コード Parts No.	参照番号 Ref. No.
S02701-001	F- 27	215822-001	B- 19	228226-001	A- 31	229646-001	B- 10
S02702-001	F- 22		C- 19	228228-001	A- 33		C- 10
S02703-001	F- 23	215971-001	B- 4	228237-001	A- 51	229930-001	A- 30
S03816-001	D- 24		C- 4	228243-001	D- 15-2	229943-001	C- 35
008400-805	A- 21-5	218596-001	B- 7	228272-001	D- 19-2	229946-001	B- 10
014060-832	A- 7		C- 7	228277-001	B- 1		C- 10
015082-002	E- 3	216740-001	B- 25		C- 1	229963-001	B- 10
018400-832	B- 23		C- 25	228280-001	B- 22		C- 10
	C- 23	216872-001	A- 20		C- 22	230214-001	B- 10
021080-206	A- 40		B- 11	228284-001	B- 9		C- 10
021100-206	A- 10		B- 17		C- 9	230431-001	A- 21
025030-132	F- 18		C- 11	228287-001	B- 12	230432-001	A- 21-1
025040-173	B- 34		C- 17		C- 12	230435-001	B- 10
	C- 33	217093-001	B- 30	228290-001	B- 8		C- 10
025100-236	A- 11	217133-001	A- 32		C- 8	230443-001	D- 22
026350-132	F- 15	218469-001	B- 19	228294-001	B- 36	230444-001	D- 22-2
028030-242	F- 17		C- 19		C- 40	230445-001	D- 22-3
028040-245	B- 24	219225-000	B- 35	228324-001	B- 29	230542-001	D- 17
	B- 33		C- 34	228414-001	C- 26	230543-001	D- 17-2
	C- 24	219225-001	B- 19	228415-001	C- 28	230544-001	D- 17-3
	C- 27		C- 19	228839-001	A- 51	230545-001	D- 20
	C- 32	219517-000	A- 49	228840-000	A- 51	230546-001	D- 20-2
028080-246	A- 39	219582-001	A- 34	229017-001	B- 45	230547-001	D- 20-3
028100-246	A- 12	219603-001	A- 35		C- 45	230548-001	D- 21
028350-242	F- 14	221024-001	B- 28	229160-001	B- 20	230549-001	D- 23
051502-005	A- 46		C- 36		C- 20	230550-001	D- 23-2
060671-212	D- 9	222753-000	A- 48	229218-001	B- 10	230551-001	D- 23-3
	E- 4	223738-001	D- 22-1			230660-001	B- 10
061401-205	A- 45	223739-001	D- 21-1		C- 10		C- 10
062061-005	A- 5	224087-001	B- 18			230661-001	B- 10
062301-402	F- 16		C- 18	229219-001	B- 10		
062401-063	C- 30	224089-001	B- 20		C- 10		C- 10
062401-263	B- 32		C- 20	229220-001	B- 10		
062670-612	F- 21	224090-001	B- 20		C- 10	230836-001	A- 47
062670-812	F- 40		C- 20	229221-001	B- 10	230837-001	A- 47-1
062672-012	F- 13	224091-001	B- 3		C- 10	230838-001	A- 47-2
062680-812	F- 26		C- 3	229222-001	B- 10	230999-001	A- 42
062681-212	D- 8	224475-001	A- 1		C- 10	231000-001	A- 44
	E- 5	224476-000	A- 3	229223-001	B- 10	231001-001	A- 8
076202-601	A- 25	224485-000	A- 23		C- 10	231003-001	A- 8
	A- 43	224487-000	A- 24	229224-001	B- 8	231004-001	A- 22
104821-001	B- 5	224495-002	A- 4		C- 8	231006-001	A- 22
	C- 5	224503-000	A- 57	229237-001	D- 16	231008-001	A- 26
142268-001	F- 30	224504-001	A- 21-4	229238-001	D- 16-2	231009-001	A- 27
151431-001	F- 32	224507-002	A- 54	229239-001	D- 16-3	231013-001	A- 50
200190-001	D- 25	224508-001	A- 55	229240-001	D- 15	231017-001	A- 51
203684-001	A- 29		B- 44	229241-001	D- 15-3	231018-001	A- 22
210240-001	A- 52		C- 44	229244-001	D- 18	231080-001	B- 6-2
210965-081	A- 9	224510-001	D- 18-1	229245-001	D- 18-2		C- 6-2
210973-001	A- 37		D- 19-1	229246-001	D- 18-3	231335-001	B- 10
211528-001	A- 53		D- 20-1	229250-001	D- 19		C- 10
213646-001	A- 36	224513-001	D- 19-3	229335-001	A- 21-2	231336-001	B- 10
213650-001	A- 38	224540-001	A- 6	229558-001	B- 46		C- 10
214447-001	B- 2	225432-001	B- 21	229559-001	B- 27	231458-001	A- 56
	B- 13		C- 21	229561-001	B- 10	231556-001	A- 2
	C- 2	225433-001	B- 18		C- 10	231558-001	A- 2
	C- 13		C- 18	229623-001	B- 10	231646-001	A- 22
214808-000	A- 15	225539-001	D- 15-1		C- 10	231646-001	A- 22
214897-001	A- 28		D- 16-1	229643-001	B- 10	233063-001	F- 19
	A- 47-3		D- 17-1			233067-001	F- 12
215080-001	A- 18	225938-002	A- 4		C- 10	233074-001	D- 3-1
215082-002	D- 7	225938-003	A- 4			233079-001	D- 2-1
	E- 3	226671-001	A- 21-3	229644-001	B- 10	233085-001	D- 1-1
215504-001	D- 23-1	228216-001	A- 41		C- 10	233088-001	D- 4
215769-001	B- 19	228221-001	A- 17	229645-001	B- 10	233089-001	D- 10
	C- 19	228222-001	A- 19		C- 10	233090-001	D- 5
					C- 10	233091-001	F- 10

部品コード Parts No.	参照番号 Ref. No.	部品コード Parts No.	参照番号 Ref. No.	部品コード Parts No.	参照番号 Ref. No.	部品コード Parts No.	参照番号 Ref. No.
233092-001	F- 11	291282-001	C- 6-1	388584-001	A- 13		
233093-001	E- 2	291442-001	B- 6	388585-001	A- 13		
233121-001	B- 26		C- 6	388662-101	B- 40		
233123-001	B- 38	291443-001	B- 6-1		C- 39		
233193-001	B- 39		C- 6-1	388663-001	A- 13		
233258-001	E- 1-1	291782-110	B- 37				
233263-001	E- 7		C- 37				
233268-001	E- 1-2	291782-123	B- 37				
233500-001	F- 20		C- 37				
233501-001	E- 8	291782-323	B- 37				
233544-001	F- 25		C- 37				
233545-001	F- 24	291782-340	B- 37				
233573-001	F- 33		C- 37				
233574-001	F- 37	291786-110	B- 37				
233575-001	F- 31		C- 37				
233576-001	D- 6	291786-123	B- 37				
233603-001	E- 6		C- 37				
233604-001	F- 29	291786-323	B- 37				
233618-001	F- 34		C- 37				
233619-001	E- 7	291786-340	B- 37				
233638-001	B- 20		C- 37				
	C- 20	291788-001	C- 38				
233694-001	F- 39	291789-001	B- 6				
233695-001	F- 41		C- 6				
233696-001	F- 38	291790-001	B- 6				
234030-001	C- 47		C- 6				
234032-001	C- 38-1	291791-001	B- 6-1				
234034-001	C- 38-1		C- 6-1				
234060-001	C- 49	291792-001	B- 6-1				
234137-001	C- 29		C- 6-1				
234588-001	D- 14	291823-001	A- 13				
235009-001	C- 50	388113-001	A- 13				
235029-001	C- 26	388114-001	A- 13				
235039-001	C- 38-1	388119-001	A- 13				
235041-001	C- 38-1	388120-001	A- 13				
235044-001	C- 48	388123-001	A- 13				
235052-001	C- 46	388250-110	B- 37				
235520-001	B- 10		C- 37				
	C- 10	388250-123	B- 37				
235533-001	D- 21-2		C- 37				
235534-001	D- 21-3	388250-323	B- 37				
235560-001	A- 4		C- 37				
235902-001	B- 41	388250-340	B- 37				
	C- 41		C- 37				
235903-001	B- 42	388255-001	C- 38				
	C- 42	388256-001	C- 38				
235904-001	B- 43	388257-001	C- 38				
	C- 43	388259-110	B- 37				
236126-001	B- 10		C- 37				
	C- 10	388259-123	B- 37				
236127-001	D- 15		C- 37				
	D- 23	388259-323	B- 37				
236207-001	B- 6-2		C- 37				
	C- 6-2	388259-340	B- 37				
236315-001	F- 43		C- 37				
291273-101	B- 40	388260-110	B- 37				
	C- 39		C- 37				
291274-101	B- 40	388260-123	B- 37				
	C- 39		C- 37				
291275-101	B- 40	388260-323	B- 37				
	C- 39		C- 37				
291276-101	B- 40	388260-340	B- 37				
	C- 39		C- 37				
291281-001	B- 6	388574-001	A- 13				
	C- 6	388575-001	A- 13				
291282-001	B- 6-1	388576-001	A- 13				



CONTROL BOX FOR SUPPLY LIST (Single Phase)

Voltage	Power Source	Lamp	Destination	Part Code No.											7 0 9 Digit		Motor			
				1-6 Digit	020	025	035	040	045	050	046	047	033	038	043	Code No.	Type			
B737 Mark II				r.p.m	2000	2500	3500	4000	4500	5000	4500	4500	3000	3500	4000					
															B795	B852	2 Needle			
110V	6V	USA/Canada	291798-	DB212A	DB322A	DB342A	DB452A	DB562A	DB572A	DB462A1	DB562A2	DB232A3	DB342A3	DB352A3	291823-001	MD-803C				
	6V	Taiwan	291800-	DA212A	DA322A	DA342A	DA452A	DA562A	DA572A	DA462A1	DA562A2	DA232A3	DA342A3	DA352A3						
120V	6V	Mexico	308617-	DB212A	DB322A	DB342A	DB452A	DB562A	DB572A	DB462A1	DB562A2	DB232A3	DB342A3	DB352A3	308574-001	MD-803A				
	8V		291802-	DB212A	DB322A	DB342A	DB452A	DB562A	DB572A	DB462A1	DB562A2	DB232A3	DB342A3	DB352A3						
220V	12V	Germany	291801-	DB212B	DB322B	DB342B	DB452B	DB562B	DB572B	DB462B1	DB562B2	DB232B3	DB342B3	DB352B3	308113-001	MD-803A2				
	NIL		291805-	DB212C	DB322C	DB342C	DB452C	DB562C	DB572C	DB462C1	DB562C2	DB232C3	DB342C3	DB352C3						
	6V	Taiwan	291803-	DA212A	DA322A	DA342A	DA452A	DA562A	DA572A	DA462A1	DA562A2	DA232A3	DA342A3	DA352A3						
	6V	Hong Kong	308180-	DB212A	DB322A	DB342A	DB452A	DB562A	DB572A	DB462A1	DB562A2	DB232A3	DB342A3	DB352A3						
230V	6V		308627-	DA212A	DA322A	DA342A	DA452A	DA562A	DA572A	DA462A1	DA562A2	DA232A3	DA342A3	DA352A3	308574-001	MD-803A				
	NIL	New Zealand	291807-	DB212C	DB322C	DB342C	DB452C	DB562C	DB572C	DB462C1	DB562C2	DB232C3	DB342C3	DB352C3						
240V	6V	Australia	291809-	DB212A	DB322A	DB342A	DB452A	DB562A	DB572A	DB462A1	DB562A2	DB232A3	DB342A3	DB352A3	308113-001	MD-803A2				
	12V	U.Kingdom	291808-	DB212B	DB322B	DB342B	DB452B	DB562B	DB572B	DB462B1	DB562B2	DB232B3	DB342B3	DB352B3						
B7380																				
110V	6V	USA/Canada	291828-			DB348A			DB578A						291823-001	MD-803C				
	6V	Taiwan	291829-			DA348A			DA578A											
220V	6V		291831-			DB348A			DB578A					308574-001	MD-803A					
	12V	Germany	291830-			DB348B			DB578B											
	NIL		291833-			DB348C			DB578C											
	6V	Taiwan	291832-			DA348A			DA578A											
230V	6V	Hong Kong	308181-			DB348A			DB578A					308114-001	MD-803A3					
	6V		291834-			DB348A			DB578A											
240V	6V	New Zealand	291835-			DB348C			DB578C					308574-001	MD-803A					
	6V	Australia	291837-			DB348A			DB578A											
240V	6V		308580-			DB348B			DB578B					308113-001	MD-803A2					
	12V	U.Kingdom	308580-			DB348B			DB578B											
B7910																				
110V	6V	USA/Canada	291799-			DB349A			DB569A						291823-001	MD-803C				
	6V	Taiwan	308578-			DA349A			DA569A											
220V	6V		291836-			DB349A			DB569A					308574-001	MD-803A					
	12V	Germany	291835-			DB349B			DB569B											
	NIL		291838-			DB349C			DB569C											
	6V	Taiwan	308581-			DA349A			DA569A											
230V	6V	Hong Kong	308177-			DB349A			DB569A					308114-001	MD-803A3					
	6V		291839-			DB349A			DB569A											
240V	6V	New Zealand	291840-			DB349C			DB569C					308574-001	MD-803A					
	6V	Australia	291842-			DB349A			DB569A											
240V	6V		291841-			DB349B			DB569B					308113-001	MD-803A2					
	12V	U.Kingdom	291841-			DB349B			DB569B											
B7740																				
110V	6V		308129-			DB340A			DB460A1					291823-001	MD-803C					
	6V	Taiwan	308134-			DA340A			DA460A1											
220V	6V		308144-			DB340A			DB460B1					308574-001	MD-803A					
	12V		308139-			DB340B			DB460B1											
	6V	Taiwan	308149-			DA340A			DA460A1											
	NIL		308154-			DB340C			DB460C1											
230V	6V	Hong Kong	308182-			DB340A			DB460A1					308114-001	MD-803A3					
	6V		308159-			DB340A			DB460A1											
240V	6V		308164-			DB340C			DB460C1					308574-001	MD-803A					
	6V		308174-			DB340A			DB460A1											
240V	6V		308169-			DB340B			DB460B1					308113-001	MD-803A2					
	12V		308169-			DB340B			DB460B1											
B8450																				
110V	6V		308130-									DB235A3		291823-001	MD-803C					
	6V	Taiwan	308135-									DA235A3								
220V	6V		308145-									DB235A3		308574-001	MD-803A					
	12V		308140-									DB235B3								
	6V	Taiwan	308150-									DA235A3								
	NIL		308135-									DB235C3								
230V	6V	Hong Kong	308183-									DB235A3		308114-001	MD-803A3					
	6V		308180-									DB235A3								
240V	6V		308165-									DB235C3		308574-001	MD-803A					
	6V		308175-									DB235A3								
240V	6V		308170-									DB235B3		308113-001	MD-803A2					
	12V		308170-									DB235B3								
B845-900S																				
110V	6V		308131-									DB234A3		291823-001	MD-803C					
	6V	Taiwan	308136-									DA234A3								
220V	6V		308146-									DB234A3		308574-001	MD-803A					
	12V		308141-									DB234B3								
	6V	Taiwan	308151-									DA234A3								
	NIL		308138-									DB234C3								
230V	6V	Hong Kong	308184-									DB234A3		308114-001	MD-803A3					
	6V		308181-									DB234A3								
240V	6V		308166-									DB234C3		308574-001	MD-803A					
	6V		308176-									DB234A3								
240V	6V		308171-									DB234B3		308113-001	MD-803A2					
	12V		308171-									DB234B3								

CONTROL BOX FOR SUPPLY LIST (Three Phase)

Voltage	Power Source	Lamp	Destination	Parts Code No.											Motor			
				7.0.9 Digit											Code No.	Type		
				1-6 Digit	020	025	035	040	045	050	046	047	033	030			043	
r.p.m	2000	2500	3500	4000	4500	5000	4500	4500	3000	3500	4000							
B737 Mark II													B795	B852	2 Needle			
220V	6V	USA/Canada	291812-	DB212A	DB322A	DB342A	DB452A	DB562A	DB572A	DB462A1	DB562A2	DB232A3	DB342A3	DB352A3	388575-001	MD-813A		
	6V	Taiwan	291815-	DA212A	DA322A	DA342A	DA452A	DA562A	DA572A	DA462A1	DA562A2	DA232A3	DA342A3	DA352A3	388119-001	MD-813A2		
	12V		388192-	DB212B	DB322B	DB342B	DB452B	DB562B	DB572B	DB462B1	DB562B2	DB232B3	DB342B3	DB352B3	388663-001	MD-813A4		
380V	6V		388571-	DB212A	DB322A	DB342A	DB452A	DB562A	DB572A	DB462A1	DB562A2	DB232A3	DB342A3	DB352A3	388576-001	MD-813B		
	6V		388946-	DA212A	DA322A	DA342A	DA452A	DA562A	DA572A	DA462A1	DA562A2	DA232A3	DA342A3	DA352A3	388120-001	MD-813B2		
	12V	Germany	291817-	DB212B	DB322B	DB342B	DB452B	DB562B	DB572B	DB462B1	DB562B2	DB232B3	DB342B3	DB352B3	388585-001	MD-813B4		
415V	NIL		388572-	DB212C	DB322C	DB342C	DB452C	DB562C	DB572C	DB462C1	DB562C2	DB232C3	DB342C3	DB352C3				
	6V		291827-	DB212A	DB322A	DB342A	DB452A	DB562A	DB572A	DB462A1	DB562A2	DB232A3	DB342A3	DB352A3				
12V	U.Kinidom		291824-	DB212B	DB322B	DB342B	DB452B	DB562B	DB572B	DB462B1	DB562B2	DB232B3	DB342B3	DB352B3				
B7380																		
220V	6V	USA/Canada	291844-			DB348A			DB578A						388575-001	MD-813A		
	6V	Taiwan	291845-			DA348A			DA578A						388119-001	MD-813A2		
	12V		388183-			DB348B			DB578B						388663-001	MD-813A4		
380V	6V		291846-			DB348C			DB578C									
	6V		291848-			DB348A			DB578A									
	12V	Germany	291847-			DB348B			DB578B						388576-001	MD-813B		
415V	NIL		291849-			DB348C			DB578C						388120-001	MD-813B2		
	6V		291851-			DB348A			DB578A						388585-001	MD-813B4		
12V	U.Kingdom		291850-			DB348B			DB578B									
B7910																		
220V	6V	USA/Canada	291813-			DB349A			DB569A						388575-001	MD-813A		
	6V	Taiwan	291852-			DA349A			DA569A						388119-001	MD-813A2		
	12V		388194-			DB349B			DB569B						388663-001	MD-813A4		
380V	6V		291853-			DB349C			DB569C									
	6V		291854-			DB349A			DB569A									
	12V	Germany	388569-			DB349B			DB569B						388576-001	MD-813B		
415V	NIL		388573-			DB349C			DB569C						388120-001	MD-813B2		
	6V		291856-			DB349A			DB569A						388585-001	MD-813B4		
12V	U.Kingdom		291825-			DB349B			DB569B									
B7740																		
220V	6V		388200-			DB340A			DB460A1						388575-001	MD-813A		
	6V	Taiwan	388204-			DA340A			DA460A1						388119-001	MD-813A2		
	12V		388195-			DB340B			DB460B1						388663-001	MD-813A4		
380V	6V		388209-			DB340C			DB460C1									
	6V		388218-			DB340A			DB460A1									
	12V		388214-			DB340B			DB460B1						388576-001	MD-813B		
415V	NIL		388223-			DB340C			DB460C1						388120-001	MD-813B2		
	6V		388231-			DB340A			DB460A1						388585-001	MD-813B4		
12V		388227-			DB340B			DB460B1										
B8450																		
220V	6V		388201-									DB235A3			388575-001	MD-813A		
	6V	Taiwan	388205-									DA235A3			388119-001	MD-813A2		
	12V		388198-									DB235B3			388663-001	MD-813A4		
380V	6V		388210-									DB235C3						
	6V		388219-									DB235A3						
	12V		388215-									DB235B3			388576-001	MD-813B		
415V	NIL		388224-									DB235C3			388120-001	MD-813B2		
	6V		388232-									DB235A3			388585-001	MD-813B4		
12V		388228-									DB235B3							
B845-900S																		
220V	6V		388202-									DB234A3			388575-001	MD-813A		
	6V	Taiwan	388206-									DA234A3			388119-001	MD-813A2		
	12V		388197-									DB234B3			388663-001	MD-813A4		
380V	6V		388211-									DB234C3						
	6V		388220-									DB234A3						
	12V		388216-									DB234B3			388576-001	MD-813B		
415V	NIL		388225-									DB234C3			388120-001	MD-813B2		
	6V		388233-									DB234A3			388585-001	MD-813B4		
12V		388229-									DB234B3							

1 Digit	2 Digit		3 Digit		4 Digit		5 Digit			6 Digit		7 Digit	
	Treadle unit		Pulley size outer dia.				Control box spec.					Control box spec.	
	Ref.	#10	Ref.	Meter	Ref.	spm	Ref.	Spec.	Ref.	Voltege	Ref.	Spec.	
D	A	#10	1	75	1	2000	1	(Mark II 国内)	A	6V	1	B774	
	B	#11	2	80	2	2500	2	B737MII	B	12V	2	B852	
			3	90	3	3000	3	ET, Fo	C	NIL	3	2 Needle	
			4	105	4	3500	4	B845-900S					
			5	125	5	4000	5	B8450					
					6	4500	6	Overlock (Semiauto)					
					7	5000	7	BAS					
					8	6000	8	B7380					
					9	8000	9	B7910					
					0		0	B7740					
				Z		Z	B774-APM						

brother DC MOTOR
 MD-813
 THREE PHASE 220V
 CONTROL BOX
 TYPE DB 2A
 NO. A 9 E 12345
 LAMP 6V 20W
 BROTHER INDUSTRIES, LTD.
 MADE IN JAPAN
 Production serial No.
 Modification No.
 Year
 Month

