

brother

E.C. MOTOR

MOTOR E.C.

LE MOTEUR E.C.

EL MOTOR E.C.

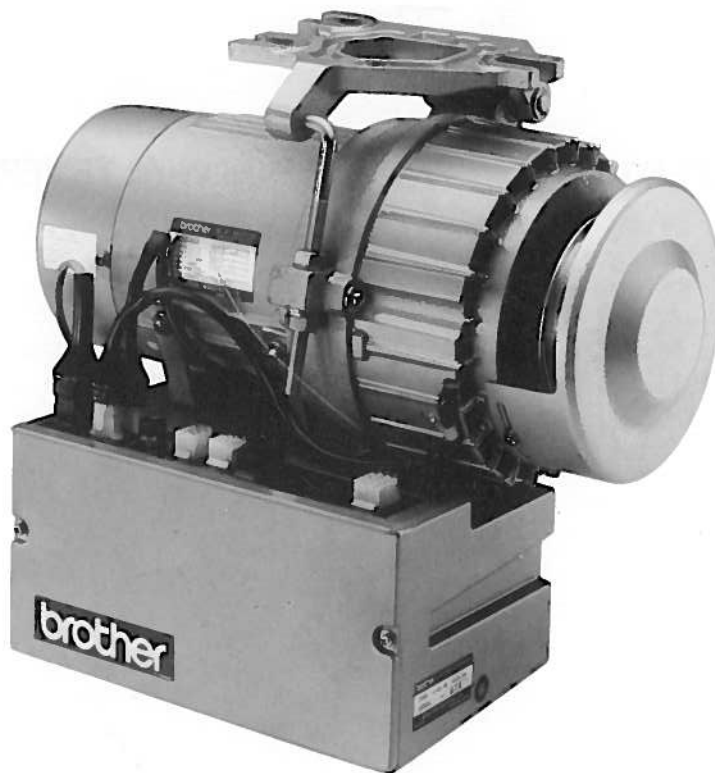
MDS-403, 413
MDS-404, 414

PARTS BOOK

TEILEKATALOG

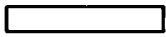

LIVRE DES PIECES

LIBRO DE REFERENCIA DE PIEZAS

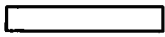



www.PromElectroAvtomat.ru

Notes for using this parts book

1. If the symbol  is found in the "Parts No." column or the "Assembly No." column, refer to the different parts list on page 5, 6.
2. The symbol  in the "Parts No." column indicates that the parts is not available for supply. If, however, there is a number in the "Assembly No." column, the parts can be ordered as an assembly. Please, therefore, order by using the Assembly No.
3. This book was prepared based on information available in February, 1984.
4. Parts are subject to changes in design without prior notice.

Anmerkungen zum Gebrauch dieses Stücklistebuches

1. Dieses Zeichen  in der Spalte "Parts No. (Teilnummer)" oder "Assembly No. (Gerätesatznummer)" verweist auf die Gesonderte Stückliste auf Seite 5, 6.
2. Dieses Zeichen  in der Spalte "Teilnummer" bedeutet, daß dieser Teil nicht lieferbar ist. Wenn jedoch in der Spalte "Gerätesatznummer" eine Nummer steht, kann dieser Teil als ein Geräteteilsatz bestellt werden. Bestellen Sie daher bitte mit dieser Gerätesatznummer.
3. Dieses Buch basiert auf den Informationen vom Februar, 1984.
4. Modelländerungen sind vorbehalten.

CONTENTS

| | |
|----------------------------|---|
| A. Motor (1) | 1 |
| A. Motor (2) | 2 |
| B. Control box | 3 |
| C. Accessories | 4 |
| DIFFERENT PARTS LIST | 5 |
| INDEX | 7 |

INHALTSVERZEICHNIS

| | |
|-----------------------|---|
| A. Motors (1) | 1 |
| A. Motors (2) | 2 |
| B. Schaltkasten | 3 |
| C. Zubehör | 4 |
| ZUBEHÖRLISTE | 5 |
| VERZEICHNIS | 7 |

Notes sur l'utilisation de ce manuel de pièces détachées

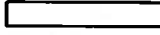
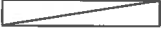
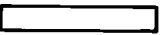
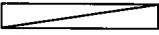
1. Si le symbole  se trouve dans la colonne "Parts No. (N° de pièce)" ou dans la colonne "Assembly No. (N° jeu de pces)", veuillez vous référer à la liste de pièces annexe page 5, 6.
2. Le symbole  dans la colonne "N° de pièce" signifie que la pièce ne peut être fournie. Si, dans la colonne "N° jeu de pces", il y a un numéro de nomenclature, la pièce peut être commandée comme faisant partie d'un jeu de pièces. Donc, pour toute commande, veuillez spécifier le N° du jeu de pièces.
3. Ce manuel a été fait d'après les renseignements valables au mois de Février 1984.
4. Les pièces peuvent être sujettes à des modifications sans préavis.

TABLE DES MATIERS

| | |
|------------------------------|---|
| A. Moteur (1) | 1 |
| A. Moteur (2) | 2 |
| B. Boîtier de contrôle | 3 |
| C. Accessoires | 4 |
| LISTE DES PIECES | |
| ACCESSOIRES | 5 |
| INDEX | 7 |

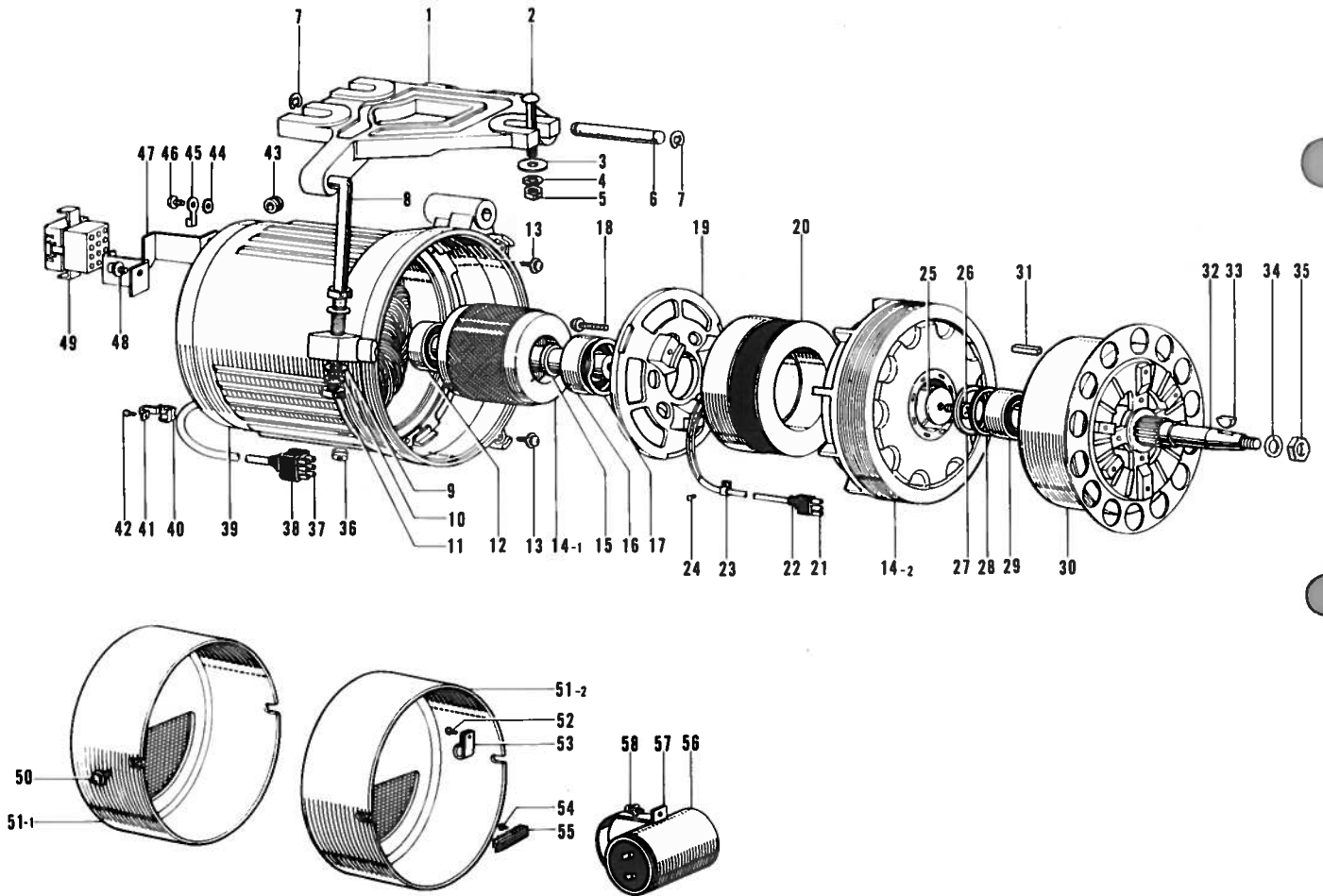
Notas para usar este Libro de Piezas

1. De haber un símbolo  junto al "Parts No. (Número de Pieza)" o en la columna del "Assembly No. (Número de Juego)", habrá que mirar la lista de piezas separada de la página 5, 6.
2. El símbolo  , que se encuentra en la columna del "Número de Pieza", quiere decir que no se dispone de dicha pieza sola. Cuando, empero, hay un número en la columna del "Número de Juego", se podrá ordenar la pieza con todo el juego. Por lo tanto, será mejor hacer el pedido recurriendo al número del juego respectivo.
3. Este libro ha sido compilado basándose en los datos de que se disponía en febrero de 1984.
4. Las piezas quedan sujetas a cambios de diseño sin aviso previo.

INDICE DEL CONTENIDO

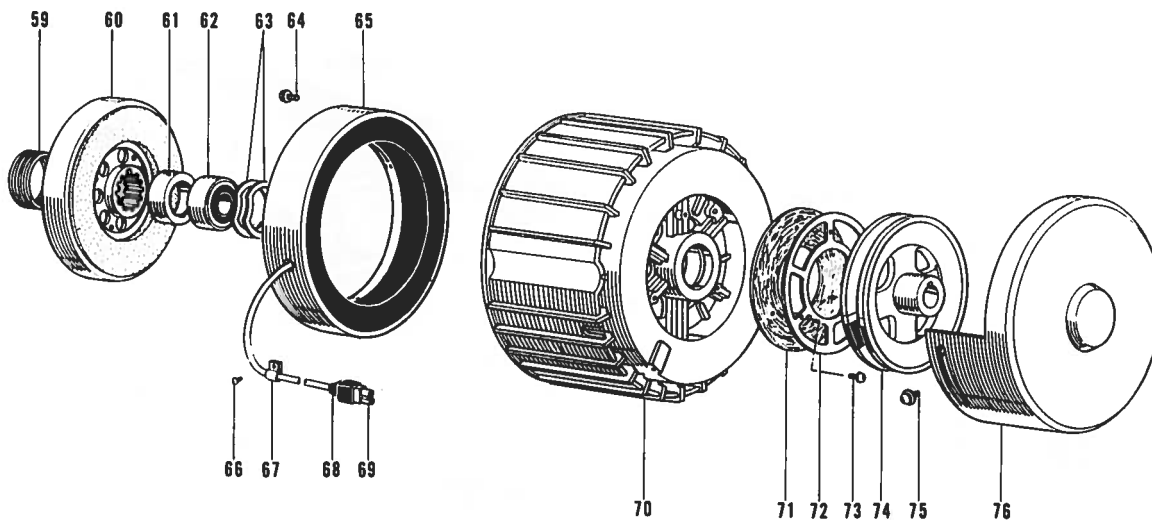
| | |
|----------------------------------|---|
| A. Motor (1) | 1 |
| A. Motor (2) | 2 |
| B. Caja de controles | 3 |
| C. Accesorios | 4 |
| LISTS DE PIEZAS ACCESORIAS | 5 |
| INDICE | 7 |

A. Motor (1) / Motors (1)
Moteur (1) / Motor (1)



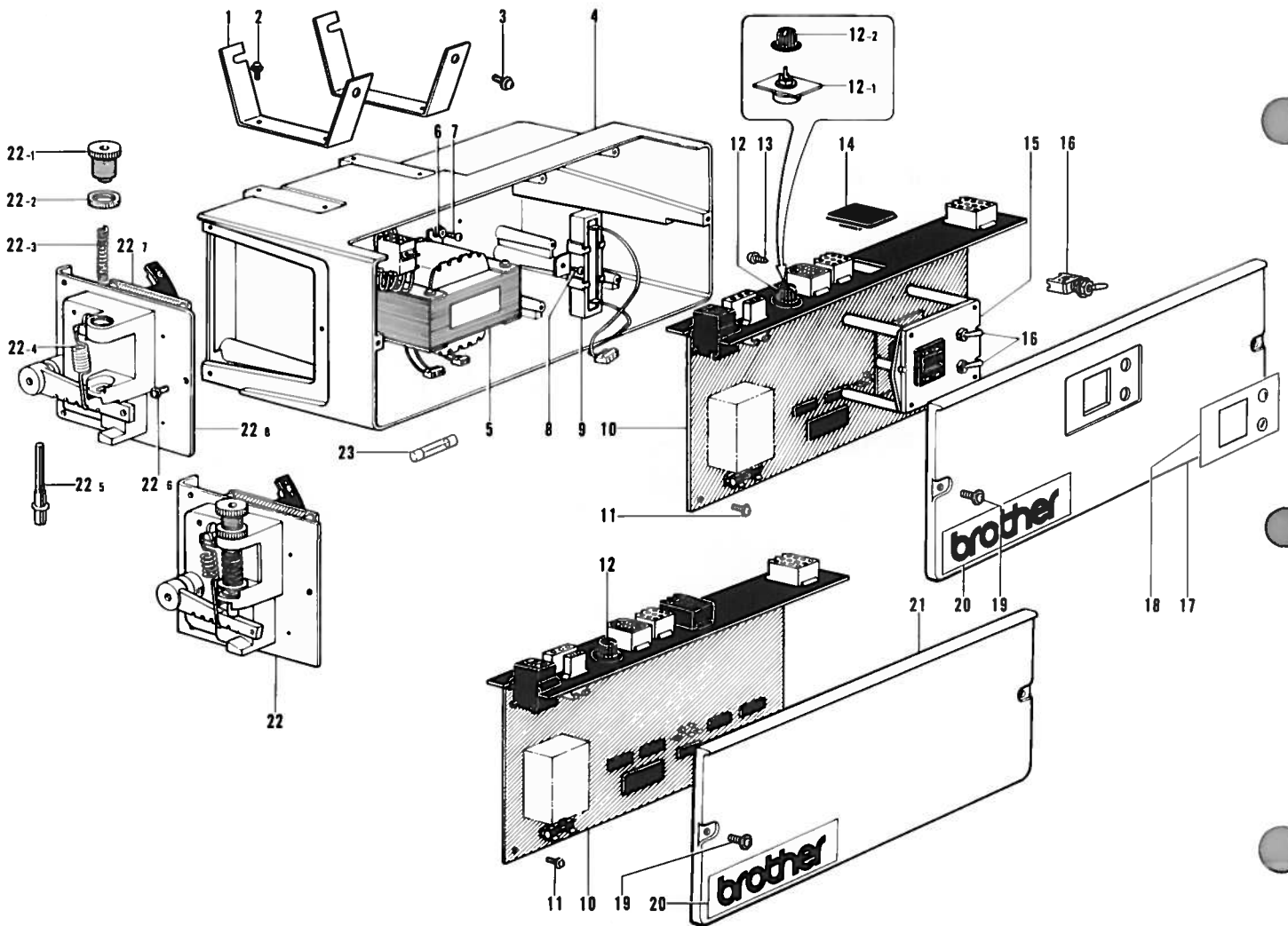
| Ref. No. | Name of Parts | Q'ty | Parts No. | Assembly No. | Ref. No. | Name of Parts | Q'ty | Parts No. | Assembly No. |
|----------|-------------------------------|-------|------------|---------------------|----------|--------------------------------------|------|------------|--------------|
| 1 | Base | 1 | S02101-001 | | 32 | Clutch Shaft (taper) | 1 | S02133-001 | |
| 2 | Mounting Bolt M8 x 70 | 3 | S02102-001 | | 33 | Woodruff Key 4 x 13 | 1 | S02134-001 | |
| 3 | Wide-Rimmed Washer | 3 | S02103-001 | | 34 | Spring Washer 10 | 1 | S02110-001 | |
| 4 | Spring Washer 8 | 3 | S02104-001 | | 35 | Nut M10 x 1 | 1 | S02135-001 | |
| 5 | Nut M8 | 3 | S02105-001 | | 36 | Protective Bushing 6.3 x 4.5 | 1 | S02136-001 | |
| 6 | Base-Pin | 1 | S02106-001 | | 37 | Connector 3191-06R1 (white) | 1 | S02137-001 | |
| 7 | E-Ring 9 | 2 | S02107-001 | | | Connector 3191-06R1-BU (Blue) | 1 | S02138-001 | |
| 8 | Adjusting Bolt | 1 | S02108-001 | | | Connector 3191-06R1-BL (Black) | 1 | S02139-001 | |
| 9 | Special Washer | 2 | S02109-001 | | 38 | Nylon Cap | 1 | S02140-001 | |
| 10 | Spring Washer 10 | 1 | S02110-001 | | 39 | Frame & Stator Assembly | 1 | | |
| 11 | Nut M10 | 2 | S02111-001 | | 40 | Protective Bushing (Standard) | 1 | S02142-001 | |
| 12 | Shielded Ball Bearing #6203 | 1 | S02112-001 | | | Protective Bushing (1φ Pual Voltage) | 1 | S02143-001 | |
| 13 | Fitting Screw | 3 | S02113-001 | | 41 | Fittings | 1 | S02144-001 | |
| 14- 1 | Rotor (with Shaft) | 1 | | A-14 Rotor Assembly | 42 | P-Screw M4 x 0.7 x 4 | 2 | S02145-001 | |
| 14- 2 | Drive-Member Assembly | 1 | | | 43 | Protective Bushing 6.3 x 4.5 | 1 | S02136-001 | |
| 15 | Spacer | 1 | S02116-001 | | 44 | Toothed Lock Washer B4 | 1 | S02146-001 | |
| 16 | Shielded Ball Bearing #6204 | 1 | S02117-001 | | 45 | Terminal 1.25-F4 | 2 | S02147-001 | |
| 17 | Preload Spring | 1 | S02118-001 | | 46 | P-BS-Screw M4 x 0.7 x 8 | 1 | S02148-001 | |
| 18 | P-Screw with SW M5 x 0.8 x 18 | 3 | S02119-001 | | 47 | Adapter | 1 | S02149-001 | |
| 19 | Middle Bracket | 1 | S02120-001 | | 48 | P-Screw with SW & PW M4 x 0.7 x 8 | 2 | S02158-001 | |
| 20 | Clutch Coil Assembly | 1 | S02121-001 | | 49 | Reverse Rotation Socket | 1 | S02150-001 | |
| 21 | Connector 3191-03R1 | 1 | S02122-001 | | 50 | P-Screw with SW & PW M4 x 0.7 x 8 | 2 | S02158-001 | |
| 22 | Nylon Cap | 1 | S02123-001 | | 51- 1 | End Cover (Standard Type) | 1 | S02151-001 | |
| 23 | Nylon Clip Hp-4N | 1 | S02124-001 | | 51- 2 | End Cover (Dual Voltage Type) | 1 | S02152-001 | |
| 24 | P-Screw M4 x 0.7 x 8 | 1 | S02125-001 | | 52 | P-Screw M4 x 0.7 x 8 | 1 | S02125-001 | |
| 25 | Wide-Rimmed Washer | 1 | S02126-001 | | 53 | Nylon Clip HP-5N | 1 | S02153-001 | |
| 26 | P-Screw with SW M6 x 14 | 1 | S02127-001 | | 54 | P-Screw with SW & PW M4 x 0.7 x 16 | 2 | S02154-001 | |
| 27 | Washer t 1.0 | 1 | S02128-001 | | 55 | Terminal Block TE-K2-6 | 1 | S02155-001 | |
| 28 | Washer t 0.25 | a few | S02129-001 | | 56 | Capacitor 25μF 230WV | 1 | S02156-001 | |
| 29 | Shielded Ball Bearing #6302 | 1 | S02130-001 | | 57 | Adapter Plate | 1 | S02157-001 | |
| 30 | Driven-Member Assembly | 1 | S02131-001 | | 58 | P-Screw with SW & PW M4 x 0.7 x 8 | 2 | S02158-001 | |
| 31 | Key 5 x 5 x 20 | 1 | S02132-001 | | | | | | |

A. Motor (2) / Motors (2)
 Moteur (2) / Motor (2)



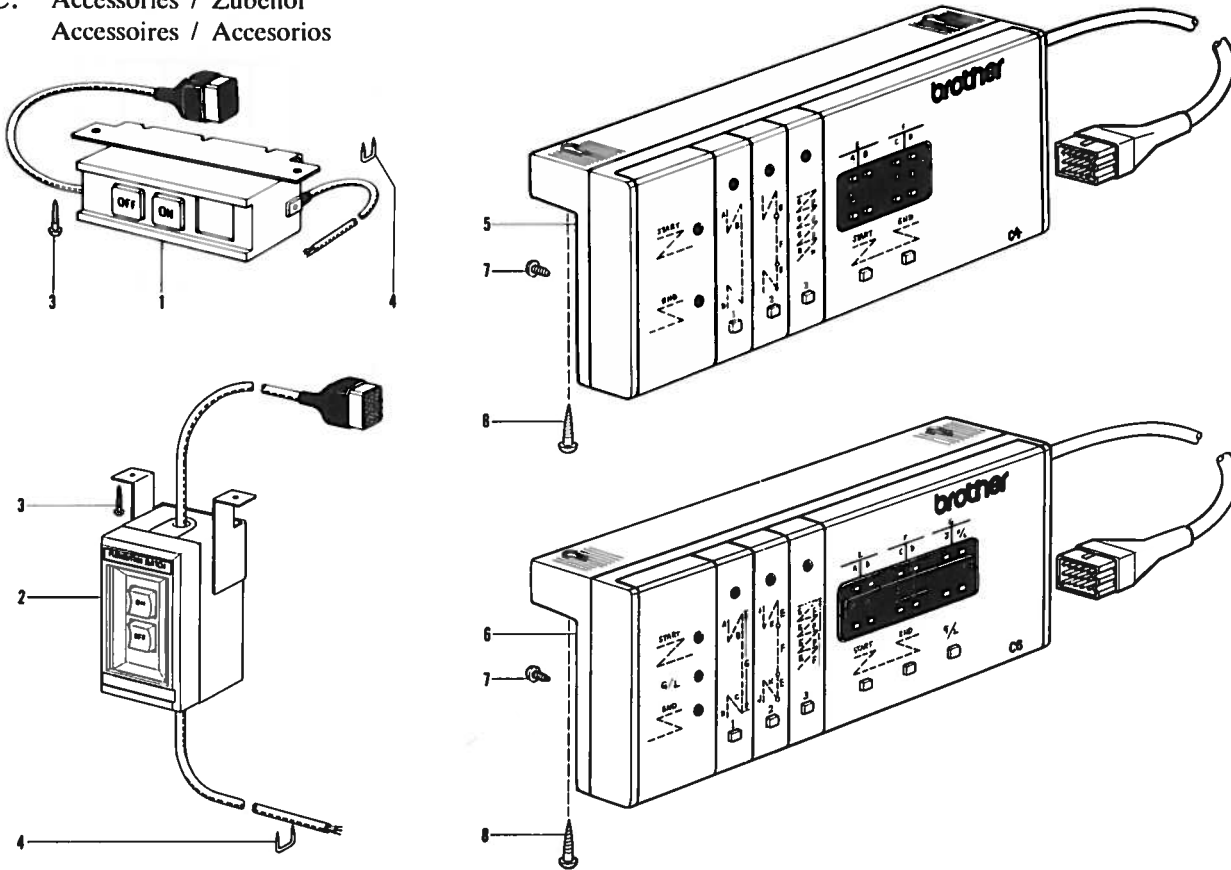
| Ref. No. | Name of Parts | Q'ty | Parts No. | Assembly No. | Ref. No. | Name of Parts | Q'ty | Parts No. | Assembly No. |
|----------|------------------------|------|------------|--------------|----------|-----------------------------------|------|------------|--------------|
| 59 | Coil Spring | 1 | S02159-001 | | 68 | Nylon Cap | 1 | S02166-001 | |
| 60 | Armature (lining) | 1 | S02160-001 | | 69 | Connector 3191-02R1 | 1 | S02167-001 | |
| 61 | Cap | 1 | S02161-001 | | 70 | Load Side Bracket | 1 | S02168-001 | |
| 62 | Shielded Ball Bearing | 1 | S02162-001 | | 71 | Filter | 1 | S02169-001 | |
| 63 | Preload Spring | 2 | S02163-001 | | 72 | Filter Keeping Plate | 1 | S02170-001 | |
| 64 | Fitting Screw | 3 | S02113-001 | | 73 | Tap Screw M4 x 0.7 x 8 | 3 | S02165-001 | |
| 65 | Core Assembly | 1 | S02164-001 | | 74 | Pully (taper) | 1 | | |
| 66 | Tap Screw M4 x 0.7 x 8 | 1 | S02165-001 | | 75 | P-Screw with SW & PW M4 x 0.7 x 8 | 2 | S02158-001 | |
| 67 | Nylon Clip HP-4N | 1 | S02124-001 | | 76 | Belt Cover | 1 | S02171-001 | |

B. Control box / Schaltkasten
Boîtier de contrôle / Caja de controles

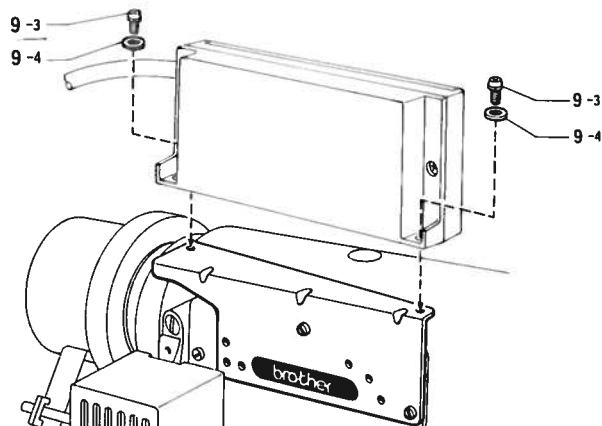
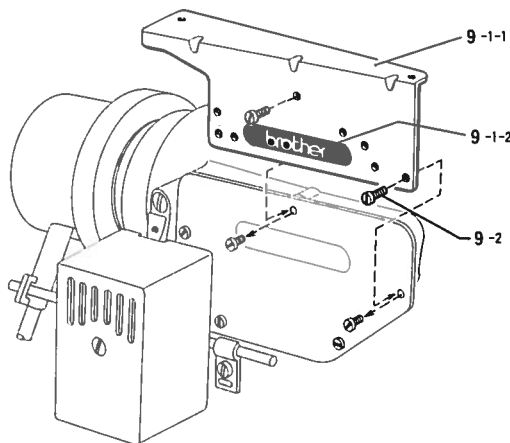


| Ref. No. | Name of Parts | Q'ty | Parts No. | Assembly No. | Ref. No. | Name of Parts | Q'ty | Parts No. | Assembly No. |
|----------|------------------------------------|------|------------|---|----------|------------------------------------|------|------------|--|
| 1 | Mounting Plate | 2 | S02173-001 | | 13 | Top Screw M3 x 10 | 4 | S02184-001 | B-10 ~ B-21 Control Circuit Unit |
| 2 | P-Screw with SW & PW M5 x 0.8 x 12 | 4 | S02174-001 | | 14 | Rubber Bushing | 1 | S02185-001 | |
| 3 | Fitting Screw | 4 | S02113-001 | | 15 | Control Circuit Unit (F) | 1 | S02186-001 | |
| 4 | Box | 1 | S02175-001 | | 16 | Switch Assembly | 1 | S02187-001 | |
| 5 | Transformer Assembly 100/200 V | 1 | S02176-001 | | 17 | Cover (MDS-403, 413) | 1 | S02188-001 | |
| | Transformer Assembly 110/220/240 V | 1 | S02177-001 | | 18 | Name Plate (MDS-403, 413) | 1 | | |
| | Transformer Assembly 220/380/415 V | 1 | S02178-001 | | 19 | P-Screw with SW & PW M4 x 0.7 x 10 | 2 | S02190-001 | |
| 6 | Washer 4 | 4 | S02179-001 | | 20 | Name Plate | 1 | | |
| 7 | Top Screw M4 x 0.7 x 8 | 4 | S02165-001 | | 21 | Cover (MDS-404, 414) | 1 | S02192-001 | |
| 8 | Top Screw M4 x 0.7 x 8 | 1 | S02165-001 | | 22- 1 | Adjusting Bolt | 1 | S02194-001 | |
| 9 | Resistor Assembly | 1 | S02180-001 | | 22- 2 | Special Nut | 1 | S02195-001 | |
| 10 | Control Circuit Unit A | 1 | | | 22- 3 | Coil Spring | 1 | S02196-001 | |
| 11 | P-Screw with SW & PW M4 x 0.7 x 8 | 5 | S02158-001 | | 22- 4 | Coil Spring | 1 | S02197-001 | |
| 12- 1 | Variable Resistor | 1 | | B-12 Variable Resistor Assembly S02181-001 | 22- 5 | Pin | 1 | S02198-001 | |
| 12- 2 | Knob | 1 | S02183-001 | | 22- 6 | P-Screw with SW & PW M5 x 0.8 x 12 | 3 | S02174-001 | |
| | | | | | 22- 7 | Lever Parts Base | 1 | | |
| | | | | | 22- 8 | Lever Parts Unite | 1 | | |
| | | | | | 23 | Fuse 8A | 1 | S02201-001 | |

C. Accessories / Zubehör
Accessoires / Accesorios



| Ref. No. | Name of Parts | Q'ty | Parts No. | Assembly No. | Ref. No. | Name of Parts | Q'ty | Parts No. | Assembly No. | |
|----------|---|------|------------|--------------|----------|--|--|------------|--------------|--|
| 1 | Switch Assembly (1 Phase Standard 3m) | 1 | S02060-001 | | 2 | Switch Assembly with OCR 3 Phase 220V 3.5m | 1 | S02067-001 | | |
| | Switch Assembly (1 Phase 110V Taiwan 3m) | 1 | S02061-001 | | | | Switch Assembly with OCR 3 Phase 415V 3.5m | 1 | S02068-001 | |
| | Switch Assembly (1 Phase 110/220V Korea 3m) | 1 | S02062-001 | | | 3 | Wood Screw 4.1 x 16 | 2 | S02202-001 | |
| | Switch Assembly (1 Phase 110V Canada 4.3m) | 1 | S02063-001 | | 4 | Staple | 5 | S02203-001 | | |
| | Switch Assembly (3 Phase Standard 3.5m) | 1 | S02064-001 | | 5 | Control Switch Panel LD-C4-BR | 1 | S02004-001 | | |
| | Switch Assembly (3 Phase 220V 4.3m) | 1 | S02065-001 | | 6 | Control Switch Panel LD-C6-BR | 1 | S02006-001 | | |
| | | | | | 7 | P-Truss Tap Screw 4 x 10 | 2 | S02204-001 | | |
| 2 | Switch Assembly with OCR 1 Phase 110V 3m | 1 | S02066-001 | | 8 | Wood Screw 4.1 x 16 | 2 | S02205-001 | | |



OPTION PARTS / SONDERZUBEHÖR
PIÈCES EN OPTION / PIEZAS OPCIONALES

| Ref. No. | Name of Parts | Q'ty | Parts No. | Assembly No. |
|----------|------------------------------|------|------------|--|
| 9- 1- 1 | Switch Panel Attaching Plate | 1 | S02208-001 | C-9-1 Attaching Plate Assembly S02207-001 |
| 9- 1- 2 | Name Plate | 1 | | |
| 9- 2 | Screw 357 - 40 x 10 | 2 | 062671-012 | C-9 Switch Panel Attaching Plate Assembly S02206-001 |
| 9- 3 | Screw 4 x 10 D | 2 | 215080-001 | |
| 9- 4 | Washer 4 | 2 | 025040-135 | |

DIFFERENT PARTS LIST (Maximum Sewing Speed 5000 spm)

1 Phase

| Ref No | Name of Parts | Volt | | Sewing Speed | | 240V 50Hz Lamp 12V | | 230V 50Hz | | 220V 50Hz | | 200V 50Hz | |
|------------|----------------------|------------------|------------|-----------------|------------|--------------------|------------|------------|------------|------------|------------|------------|------------|
| | | 110V 60Hz U.S.A. | Canada | 110 / 220V 60Hz | 4300 spm | 240V 50Hz Lamp 12V | 230V 50Hz | 220V 50Hz | 200V 50Hz | | | | |
| A-1 ~ A-76 | Motor Assembly | S02010-001 | S02011-001 | S02012-001 | S02013-001 | S02014-001 | S02015-001 | S02016-001 | S02041-001 | S02051-001 | S02042-001 | S02052-001 | |
| B-1 ~ B-23 | Control Box Assembly | | S02040-001 | S02050-001 | | | | | | | | | |
| A-14 | Rotor Assembly | | | | S02070-001 | | | | | | | | |
| B-10 | Control Circuit Unit | | S02100-304 | | | | | | S02100-305 | | | | S02100-304 |
| B-21 | | | S02100-404 | | | | | | S02100-405 | | | | S02100-404 |

3 Phase

| Ref No | Name of Parts | Volt | | Sewing Speed | | 380V 50Hz | | 400 / 415V 50Hz Lamp 12V | |
|------------|----------------------|------------------|------------|--------------|------------|------------|--------------------------|--------------------------|--|
| | | 220V 60Hz U.S.A. | Canada | 4300 spm | 5000 spm | 380V 50Hz | 400 / 415V 50Hz Lamp 12V | | |
| A-1 ~ A-76 | Motor Assembly | S02017-001 | | | S02018-001 | S02019-001 | S02020-001 | | |
| B-1 ~ B-23 | Control Box Assembly | S02040-001 | | | S02043-001 | S02044-001 | S02043-001 | | |
| A-14 | Rotor Assembly | S02050-001 | | | S02053-001 | S02054-001 | S02053-001 | | |
| B-10 | Control Circuit Unit | | S02100-304 | | | | | S02100-304 | |
| B-21 | | | S02100-404 | | | | | S02100-404 | |

PULLEY

| Ref No | Name of Parts | Parts No | Sewing Speed |
|--------|---------------|------------|--------------|
| A-74 | Pulley T 60 | S02080-001 | 60Hz |
| | Pulley T 70 | S02081-001 | 2000 spm |
| | Pulley T 85 | S02082-001 | 2500 spm |
| | Pulley T100 | S02083-001 | 3000 spm |
| | Pulley T120 | S02084-001 | 3500 spm |
| | Pulley T135 | S02085-001 | 4300 spm |
| | | | 5000 spm |

(Maximum Sewing Speed 2000 spm)

1 Phase

| Ref No | Name of Parts | Voltage | | Sewing Speed | | | | |
|----------------|----------------------|------------------|------------|-----------------|------------|------------|------------|------------|
| | | 110V 60Hz U.S.A. | Canada | 110 / 220V 60Hz | 2000 spm | | | |
| A-1~A-76 | Motor Assembly | S02010-001 | S02011-001 | S02012-001 | S02013-001 | S02014-001 | S02015-001 | S0216-001 |
| B-1~B-23 | Control Box Assembly | | S02045-001 | | | | | S02046-001 |
| | | | S02055-001 | | | | | S02056-001 |
| A-14 | Rotor Assembly | | | | | | | S02070-001 |
| B-10 } B-21 | Control Circuit Unit | | | | | | | S02100-307 |
| | | | | | | | | S02100-407 |

3 Phase

| Ref No | Name of Parts | Voltage | | Sewing Speed | | | | |
|----------------|----------------------|------------------|------------|--------------|----------|------------|------------|--------------------------|
| | | 220V 60Hz U.S.A. | Canada | 380V 50Hz | 2000 spm | | | |
| A-1~A-76 | Motor Assembly | S02017-001 | | S02018-001 | | S02019-001 | S02020-001 | 400 / 415V 50Hz Lamp 12V |
| B-1~B-23 | Control Box Assembly | | | | | | | S02047-001 |
| | | | S02055-001 | | | | | S02057-001 |
| A-14 | Rotor Assembly | | | | | | | S02071-001 |
| B-10 } B-21 | Control Circuit Unit | | | | | | | S02100-307 |
| | | | | | | | | S02100-407 |

INDEX / VERZEICHNIS
INDEX / INDICE

| Parts No. | Ref No. | Remark | Parts No. | Ref No. | Remark | Parts No. | Ref No. | Remark | Parts No. | Ref No. | Remark |
|------------|-------------|--------|------------|----------|--------|------------|------------|--------|-----------|---------|--------|
| S02004-001 | C- 5 | | S02113-001 | B- 3 | | S02171-001 | A- 76 | | | | |
| S02006-001 | C- 6 | | S02114-001 | A- 14- 1 | | S02173-001 | B- 1 | | | | |
| S02010-001 | A- 1 ~ A-76 | | S02115-001 | A- 14- 2 | | S02174-001 | B- 2 | | | | |
| S02011-001 | A- 1 ~ A-76 | | S02116-001 | A- 15 | | | B- 22- 6 | | | | |
| S02012-001 | A- 1 ~ A-76 | | S02117-001 | A- 16 | | S02175-001 | B- 4 | | | | |
| S02013-001 | A- 1 ~ A-76 | | S02118-001 | A- 17 | | S02176-001 | B- 5 | | | | |
| S02014-001 | A- 1 ~ A-76 | | S02119-001 | A- 18 | | S02177-001 | B- 5 | | | | |
| S02015-001 | A- 1 ~ A-76 | | S02120-001 | A- 19 | | S02178-001 | B- 5 | | | | |
| S02016-001 | A- 1 ~ A-76 | | S02121-001 | A- 20 | | S02179-001 | B- 6 | | | | |
| S02017-001 | A- 1 ~ A-76 | | S02122-001 | A- 21 | | S02180-001 | B- 9 | | | | |
| S02018-001 | A- 1 ~ A-76 | | S02123-001 | A- 22 | | S02181-001 | B- 12 | | | | |
| S02019-001 | A- 1 ~ A-76 | | S02124-001 | A- 23 | | S02182-001 | B- 12- 1 | | | | |
| S02020-001 | A- 1 ~ A-76 | | | A- 67 | | S02183-001 | B- 12- 2 | | | | |
| S02040-001 | B- 1 ~ B-76 | | S02125-001 | A- 24 | | S02184-001 | B- 13 | | | | |
| S02041-001 | B- 1 ~ B-76 | | | A- 52 | | S02185-001 | B- 14 | | | | |
| S02042-001 | B- 1 ~ B-76 | | S02126-001 | A- 25 | | S02186-001 | B- 15 | | | | |
| S02043-001 | B- 1 ~ B-76 | | S02127-001 | A- 26 | | S02187-001 | B- 16 | | | | |
| S02044-001 | B- 1 ~ B-76 | | S02128-001 | A- 27 | | S02188-001 | B- 17 | | | | |
| S02045-001 | B- 1 ~ B-76 | | S02129-001 | A- 28 | | S02190-001 | B- 19 | | | | |
| S02046-001 | B- 1 ~ B-76 | | S02130-001 | A- 29 | | S02192-001 | B- 21 | | | | |
| S02047-001 | B- 1 ~ B-76 | | S02131-001 | A- 30 | | S02193-001 | B- 22 | | | | |
| S02050-001 | B- 1 ~ B-23 | | S02132-001 | A- 31 | | S02194-001 | B- 22- 1 | | | | |
| S02051-001 | B- 1 ~ B-23 | | S02133-001 | A- 32 | | S02195-001 | B- 22- 2 | | | | |
| S02052-001 | B- 1 ~ B-23 | | S02134-001 | A- 33 | | S02196-001 | B- 22- 3 | | | | |
| S02053-001 | B- 1 ~ B-23 | | S02135-001 | A- 35 | | S02197-001 | B- 22- 4 | | | | |
| S02054-001 | B- 1 ~ B-23 | | S02136-001 | A- 36 | | S02198-001 | B- 22- 5 | | | | |
| S02055-001 | B- 1 ~ B-23 | | | A- 43 | | S02201-001 | B- 23 | | | | |
| S02056-001 | B- 1 ~ B-23 | | S02137-001 | A- 37 | | S02202-001 | C- 3 | | | | |
| S02057-001 | B- 1 ~ B-23 | | S02138-001 | A- 37 | | S02203-001 | C- 4 | | | | |
| S02060-001 | C- 1 | | S02139-001 | A- 37 | | S02204-001 | C- 7 | | | | |
| S02061-001 | C- 1 | | S02140-001 | A- 38 | | S02205-001 | C- 8 | | | | |
| S02062-001 | C- 1 | | S02142-001 | A- 40 | | S02206-001 | C- 9 | | | | |
| S02063-001 | C- 1 | | S02143-001 | A- 40 | | S02207-001 | C- 9- 1 | | | | |
| S02064-001 | C- 1 | | S02144-001 | A- 41 | | S02208-001 | C- 9- 1- 1 | | | | |
| S02065-001 | C- 1 | | S02145-001 | A- 42 | | 025040-135 | C- 9- 4 | | | | |
| S02066-001 | C- 2 | | S02146-001 | A- 44 | | 062671-012 | C- 9- 2 | | | | |
| S02067-001 | C- 2 | | S02147-001 | A- 45 | | 215080-001 | C- 9- 3 | | | | |
| S02068-001 | C- 2 | | S02148-001 | A- 46 | | | | | | | |
| S02070-001 | A- 14 | | S02149-001 | A- 47 | | | | | | | |
| S02071-001 | A- 14 | | S02150-001 | A- 49 | | | | | | | |
| S02080-001 | A- 74 | | S02151-001 | A- 51- 1 | | | | | | | |
| S02081-001 | A- 74 | | S02152-001 | A- 51- 2 | | | | | | | |
| S02082-001 | A- 74 | | S02153-001 | A- 53 | | | | | | | |
| S02083-001 | A- 74 | | S02154-001 | A- 54 | | | | | | | |
| S02084-001 | A- 74 | | S02155-001 | A- 55 | | | | | | | |
| S02085-001 | A- 74 | | S02156-001 | A- 56 | | | | | | | |
| S02097-004 | B-10 ~ B-21 | | S02157-001 | A- 57 | | | | | | | |
| S02098-004 | B-10 ~ B-21 | | S02158-001 | A- 48 | | | | | | | |
| S02099-004 | B-10 ~ B-21 | | | A- 50 | | | | | | | |
| S02099-005 | B-10 ~ B-21 | | | A- 58 | | | | | | | |
| S02100-004 | B-10 ~ B-21 | | | A- 75 | | | | | | | |
| S02100-005 | B-10 ~ B-21 | | | B- 11 | | | | | | | |
| S02101-001 | A- 1 | | S02159-001 | A- 59 | | | | | | | |
| S02102-001 | A- 2 | | S02160-001 | A- 60 | | | | | | | |
| S02103-001 | A- 3 | | S02161-001 | A- 61 | | | | | | | |
| S02104-001 | A- 4 | | S02162-001 | A- 62 | | | | | | | |
| S02105-001 | A- 5 | | S02163-001 | A- 63 | | | | | | | |
| S02106-001 | A- 6 | | S02164-001 | A- 65 | | | | | | | |
| S02107-001 | A- 7 | | S02165-001 | A- 66 | | | | | | | |
| S02108-001 | A- 8 | | | A- 73 | | | | | | | |
| S02109-001 | A- 9 | | | B- 7 | | | | | | | |
| S02110-001 | A- 10 | | | B- 8 | | | | | | | |
| | A- 34 | | S02166-001 | A- 68 | | | | | | | |
| S02111-001 | A- 11 | | S02167-001 | A- 69 | | | | | | | |
| S02112-001 | A- 12 | | S02168-001 | A- 70 | | | | | | | |
| S02113-001 | A- 13 | | S02169-001 | A- 71 | | | | | | | |
| | A- 64 | | S02170-001 | A- 72 | | | | | | | |

www.PromElectroAvtomat.ru

www.PromElectroAvtomat.ru

BROTHER INDUSTRIES, LTD. NAGOYA, JAPAN

Printed in Japan / Gedruckt in Japan / Imprimé au Japon / Impreso en Japón

117-716
195716-032
1984, 1