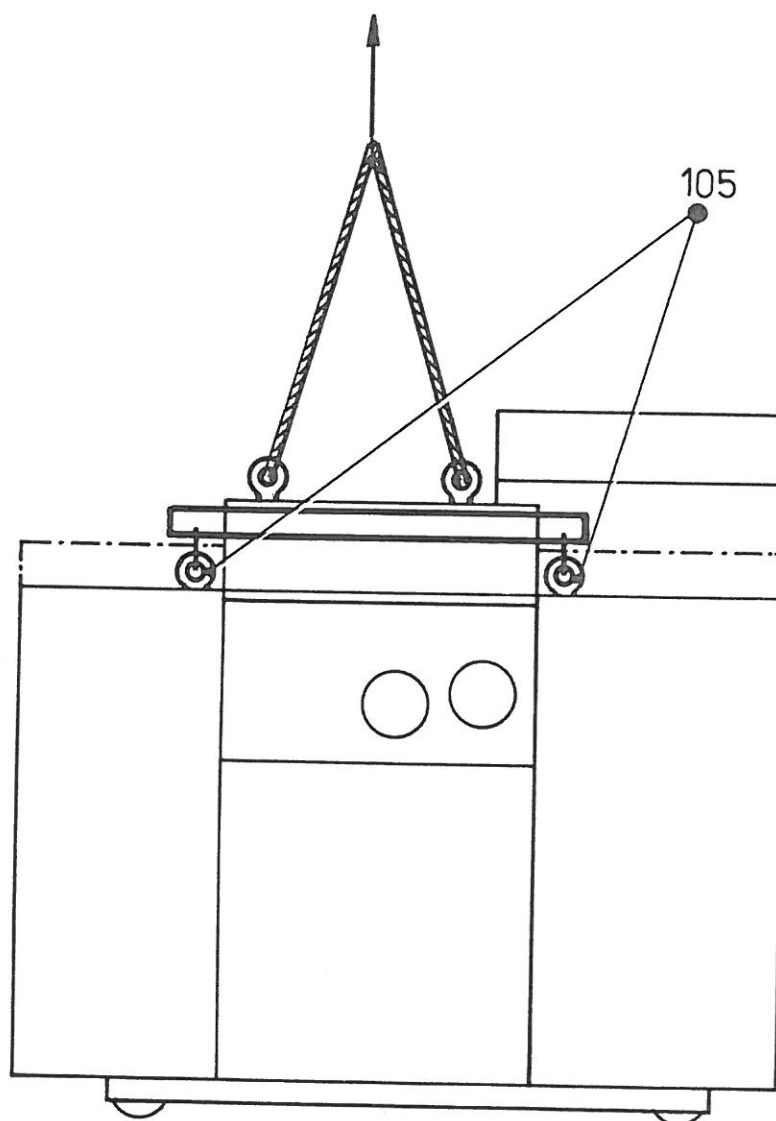
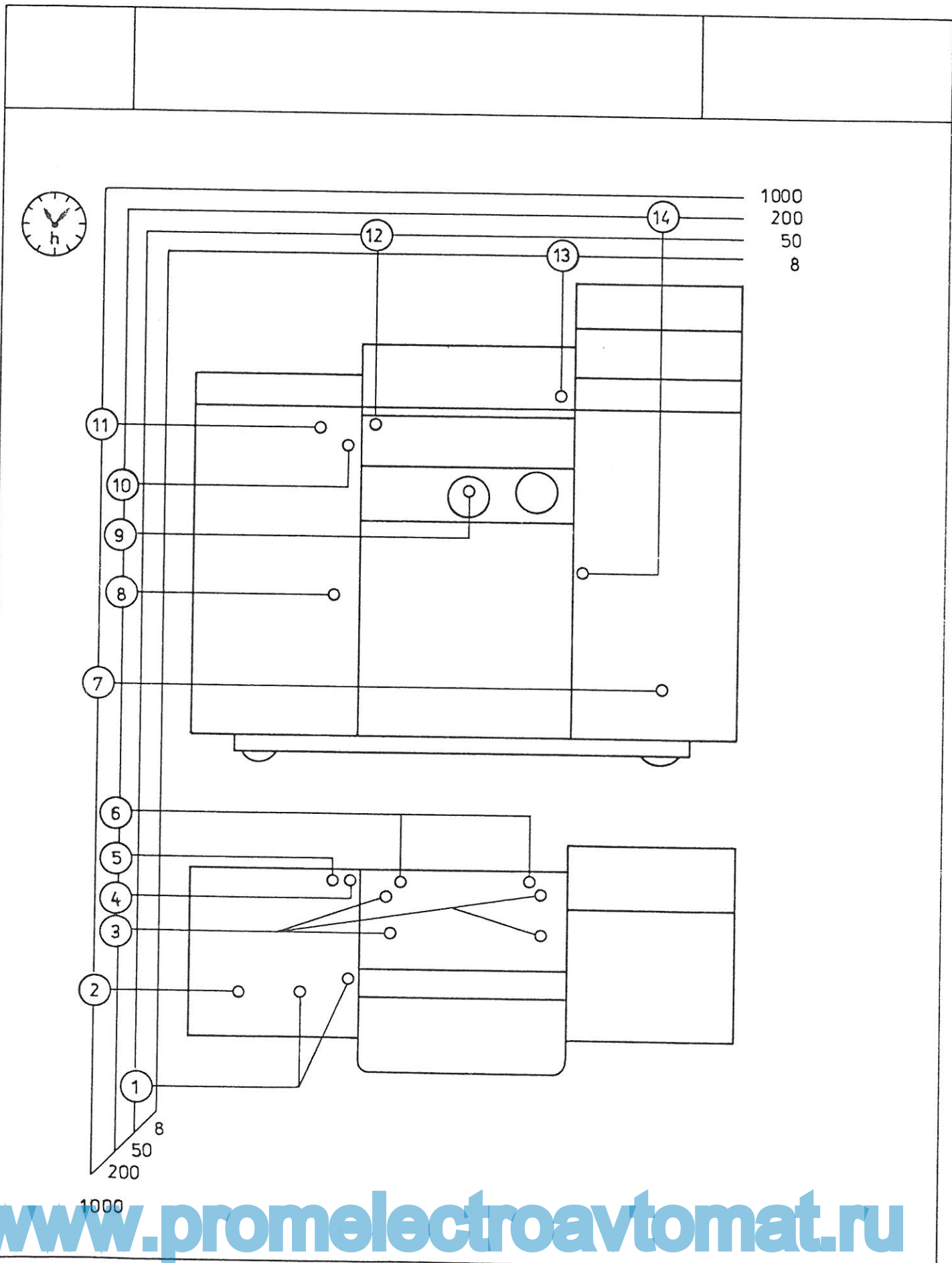
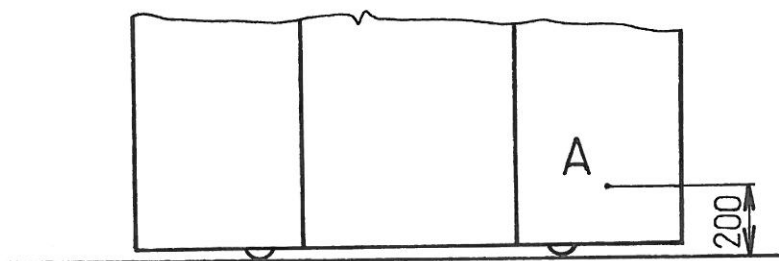
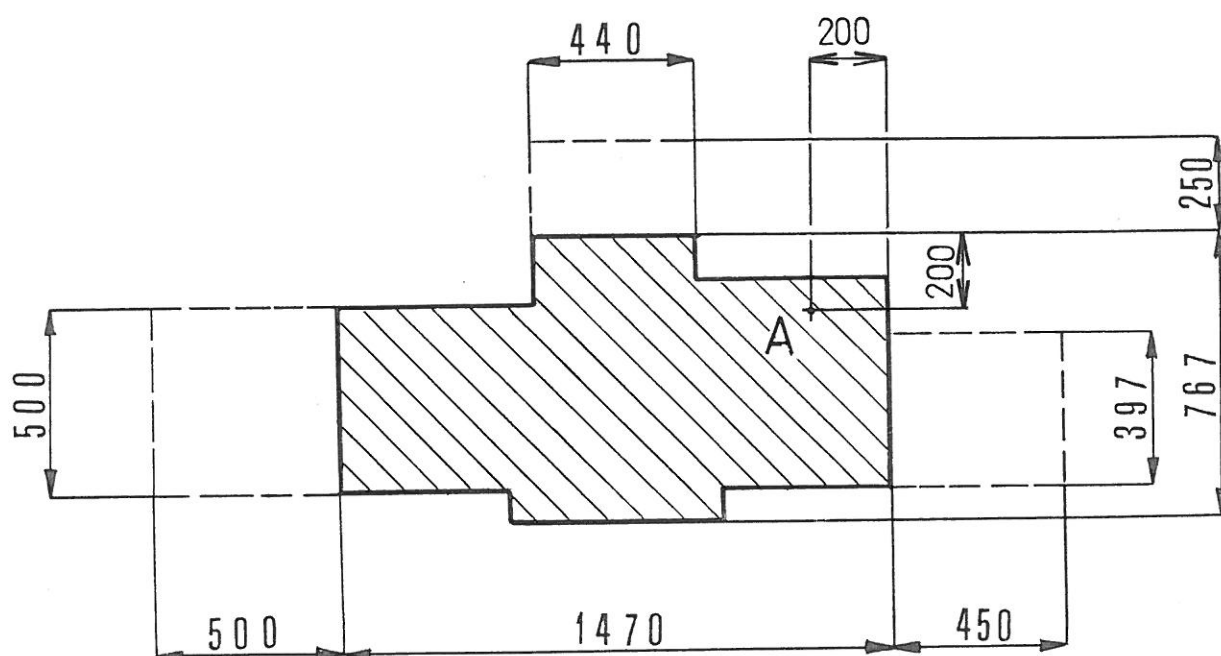


06144 P1

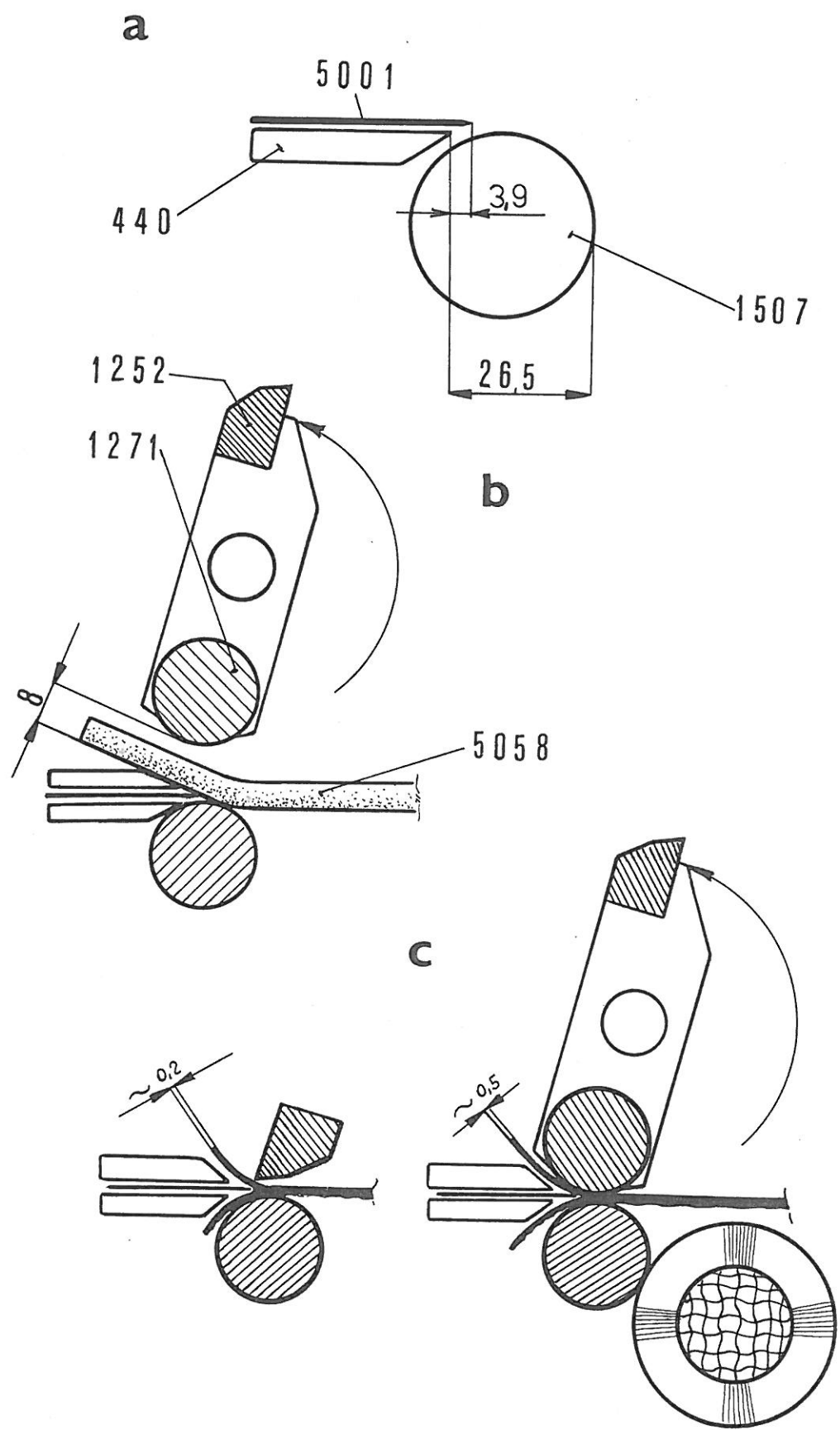


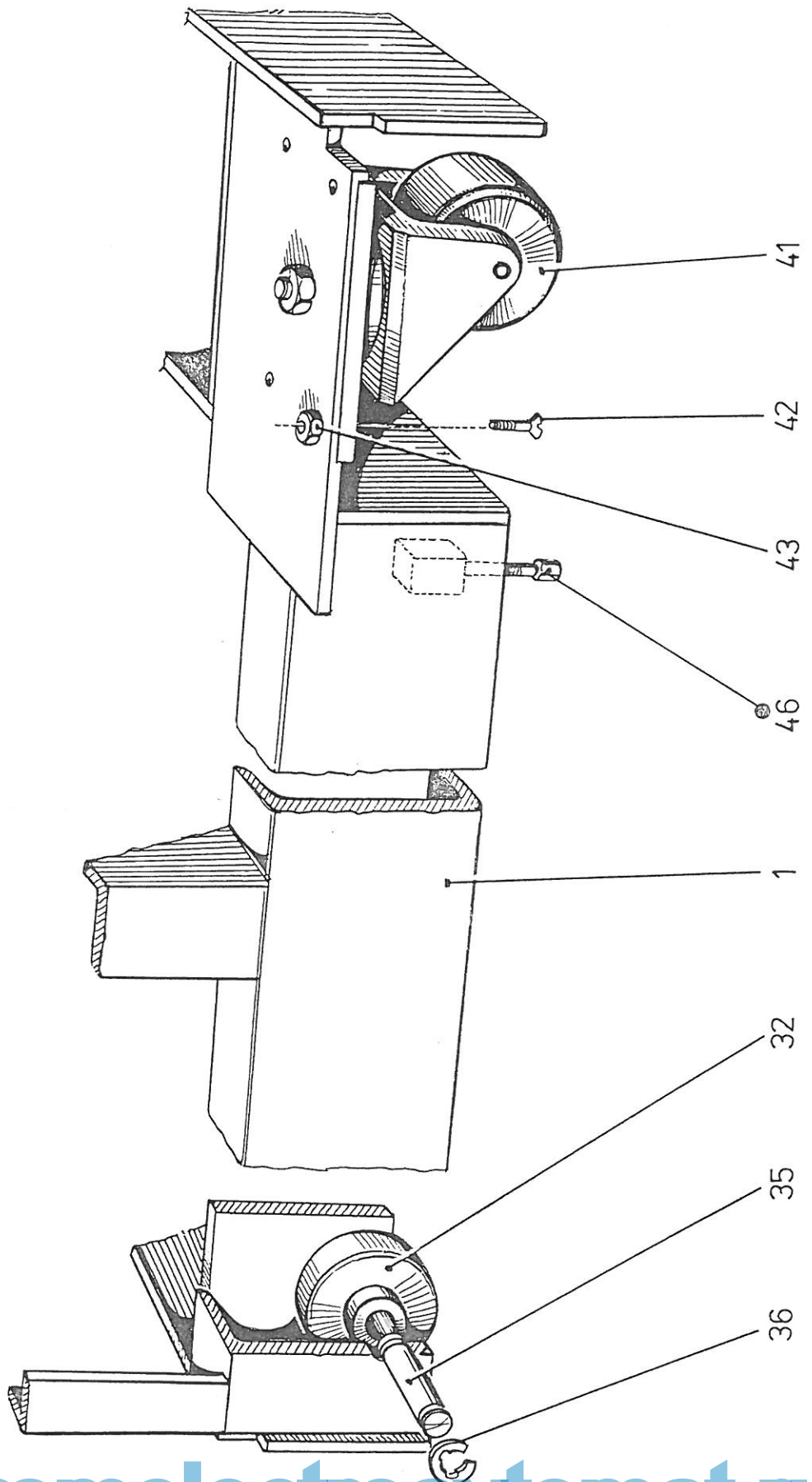
06144 P1

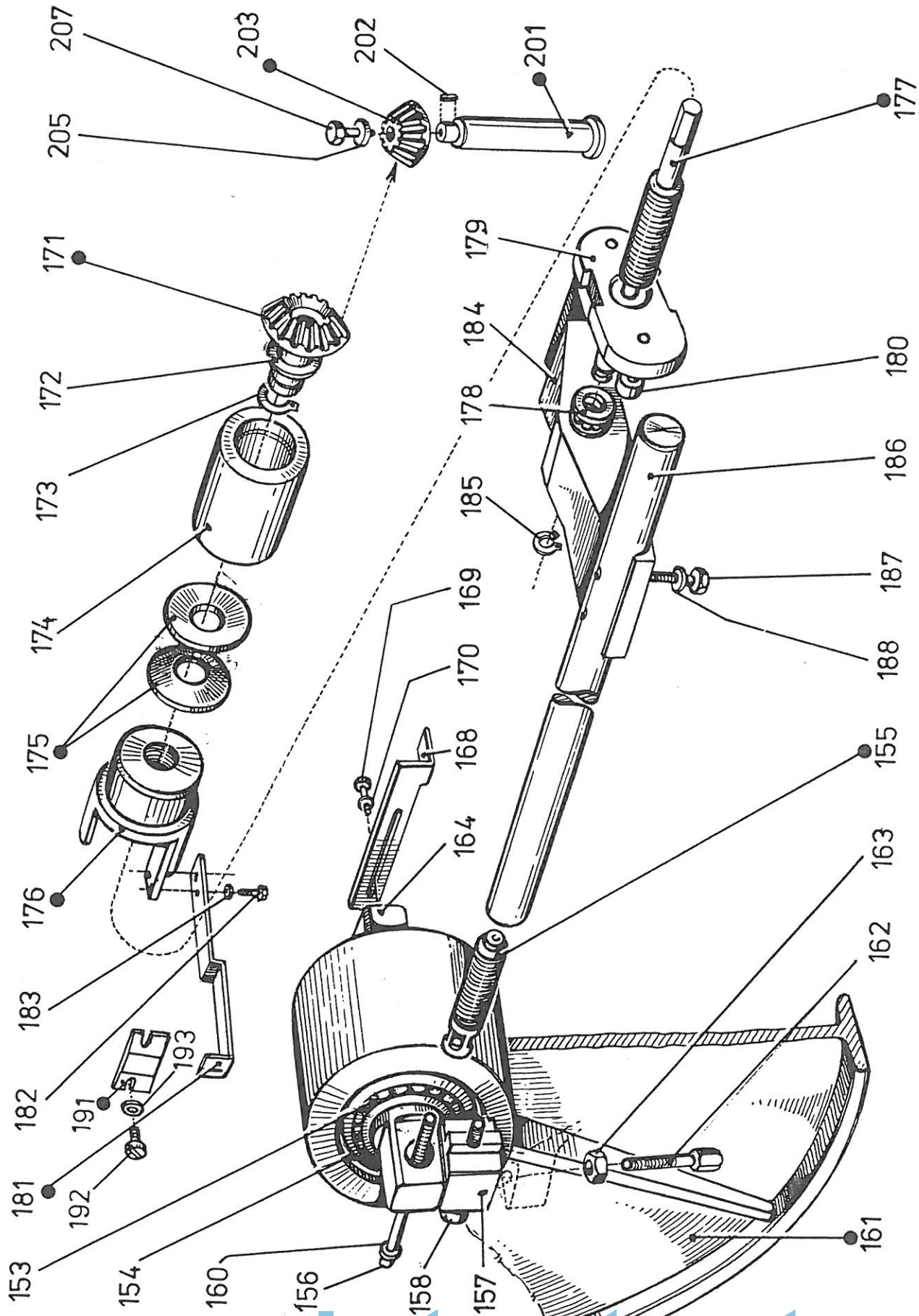


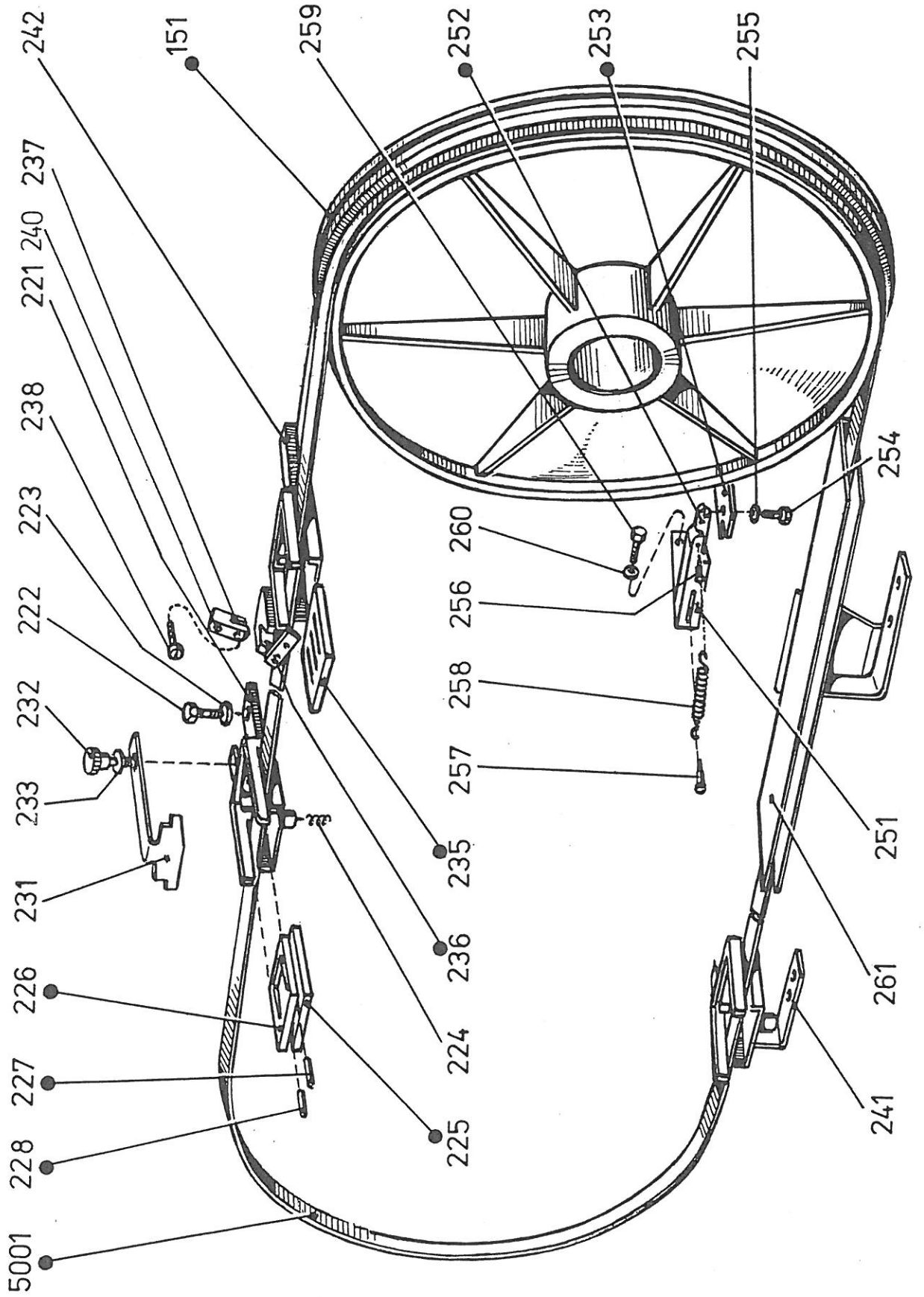


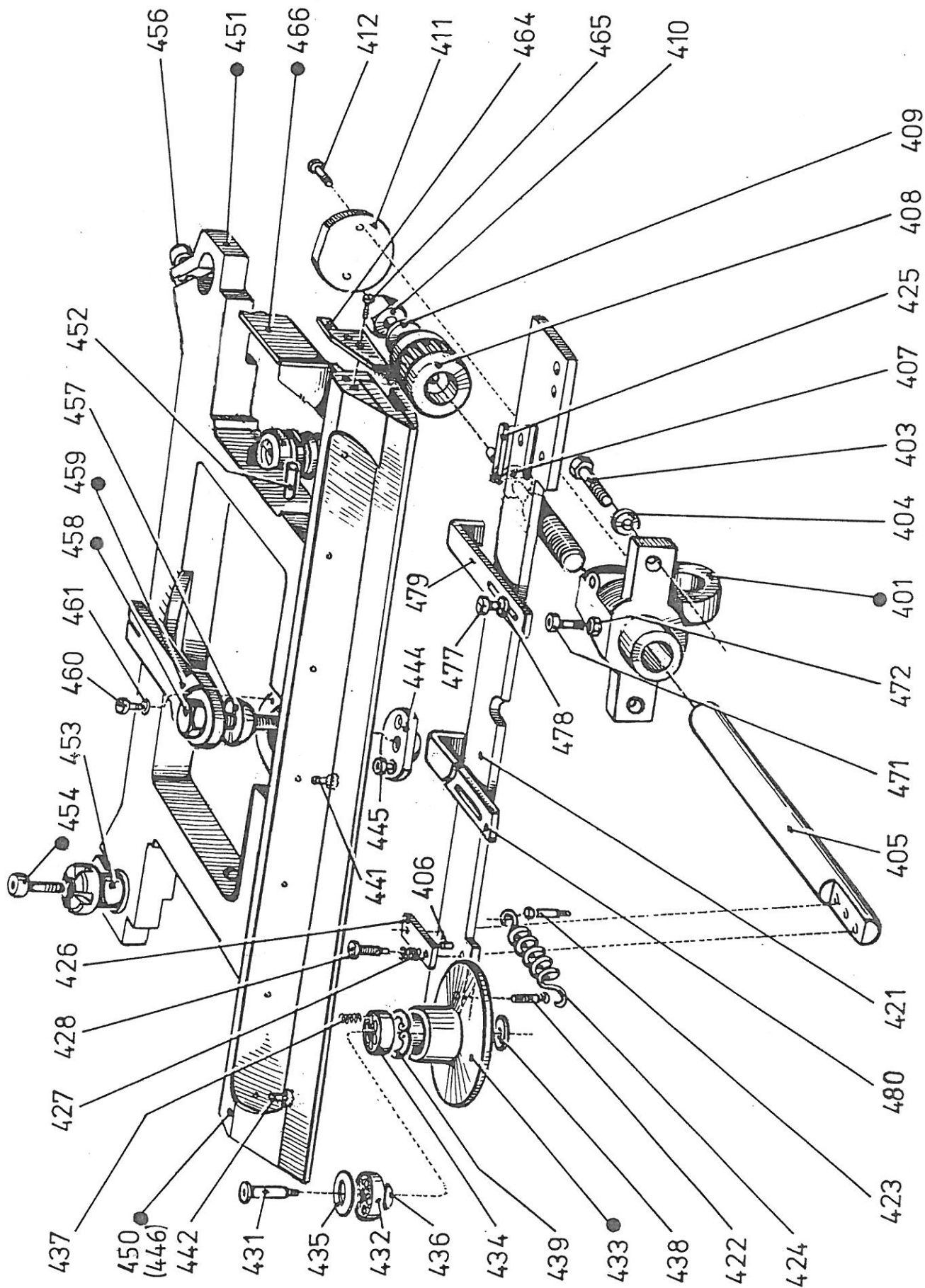
06144/P1

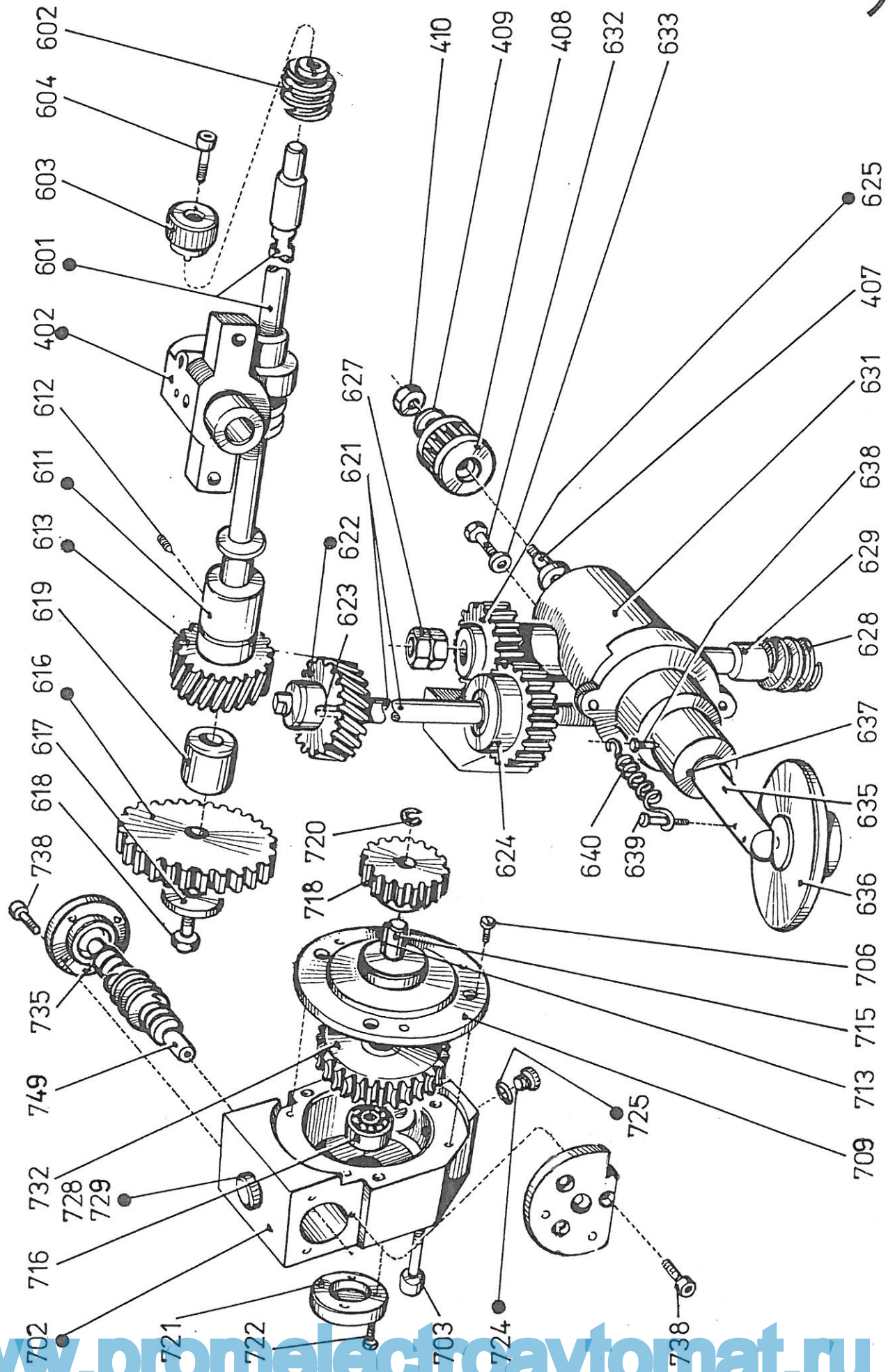


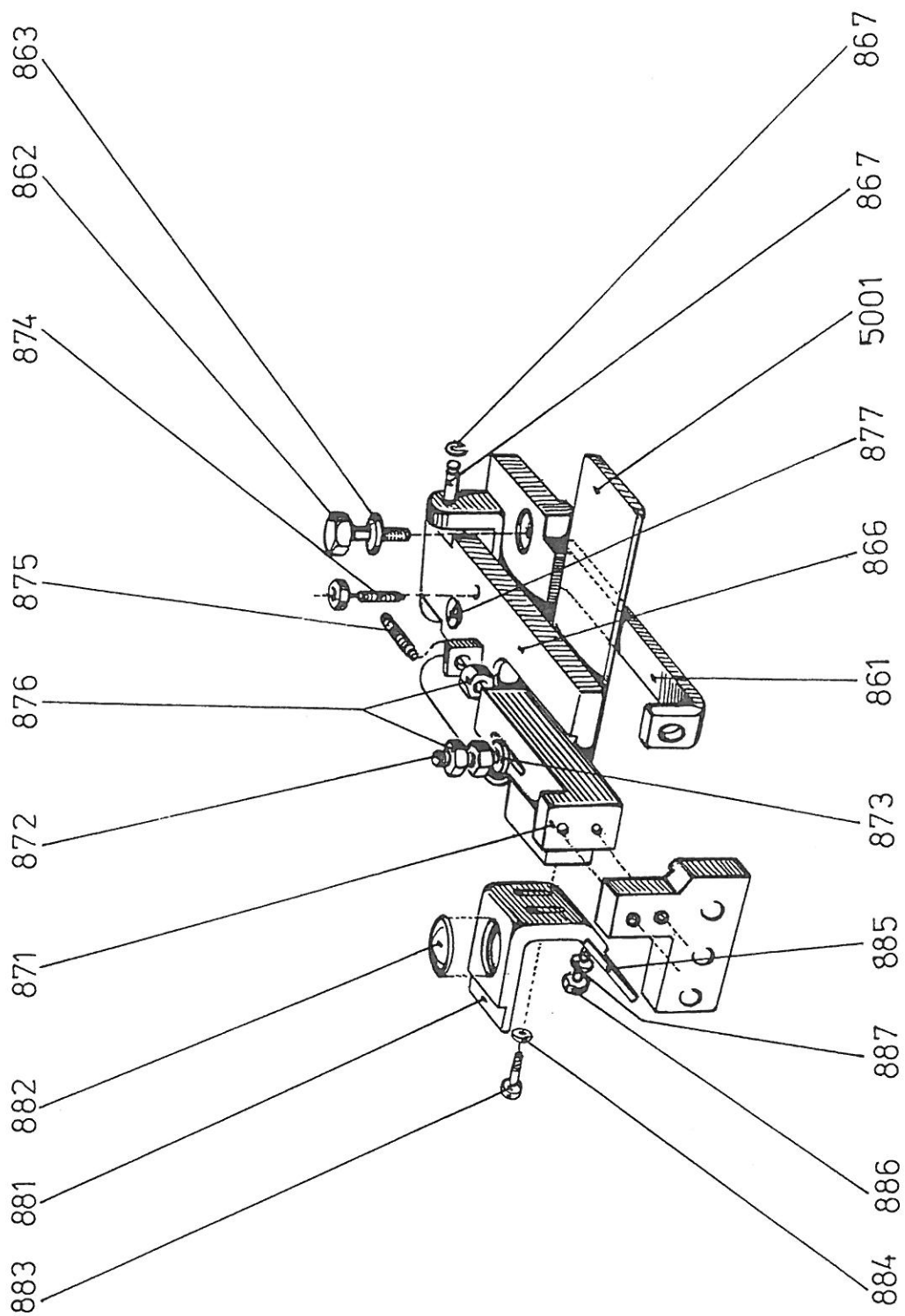


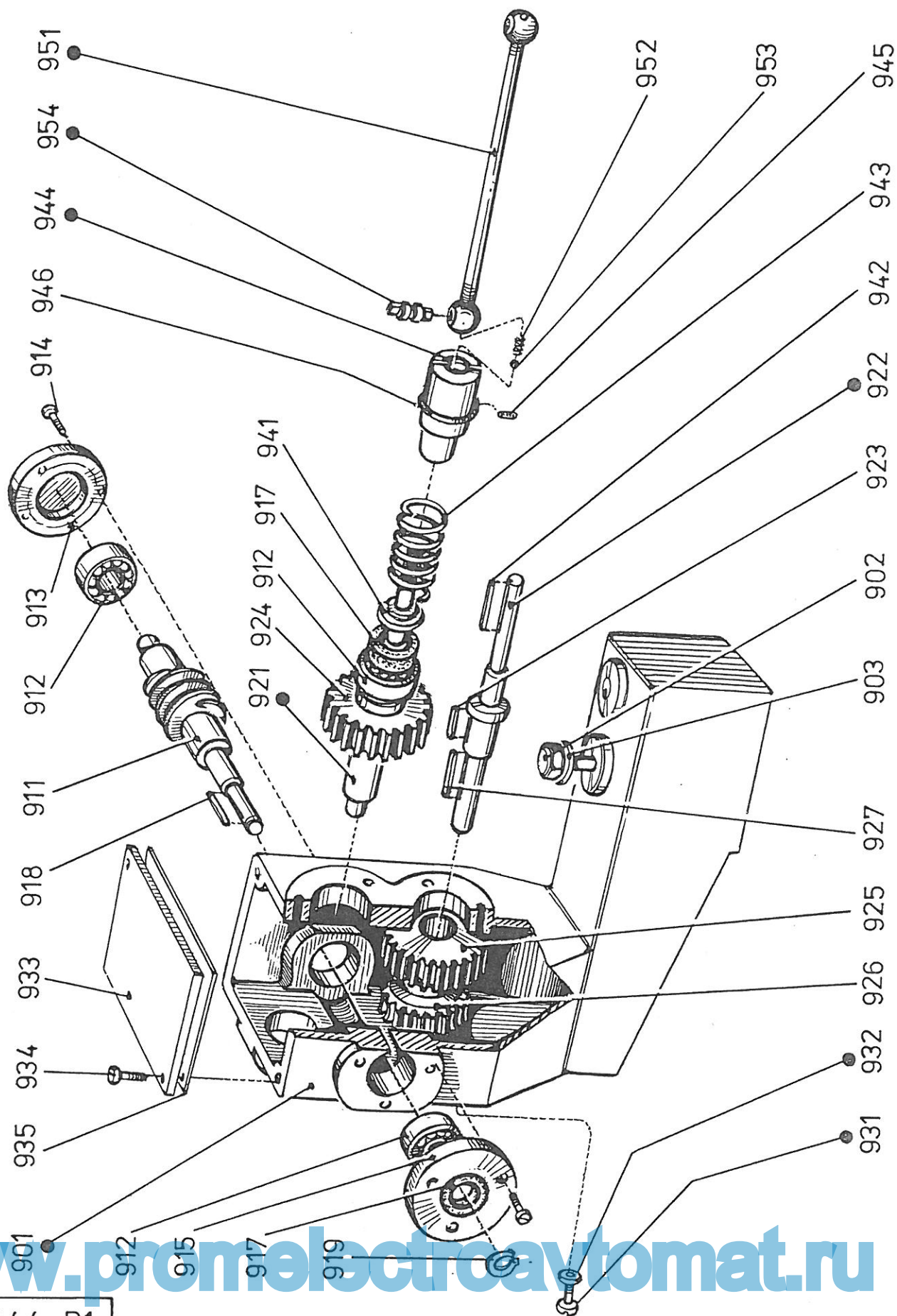


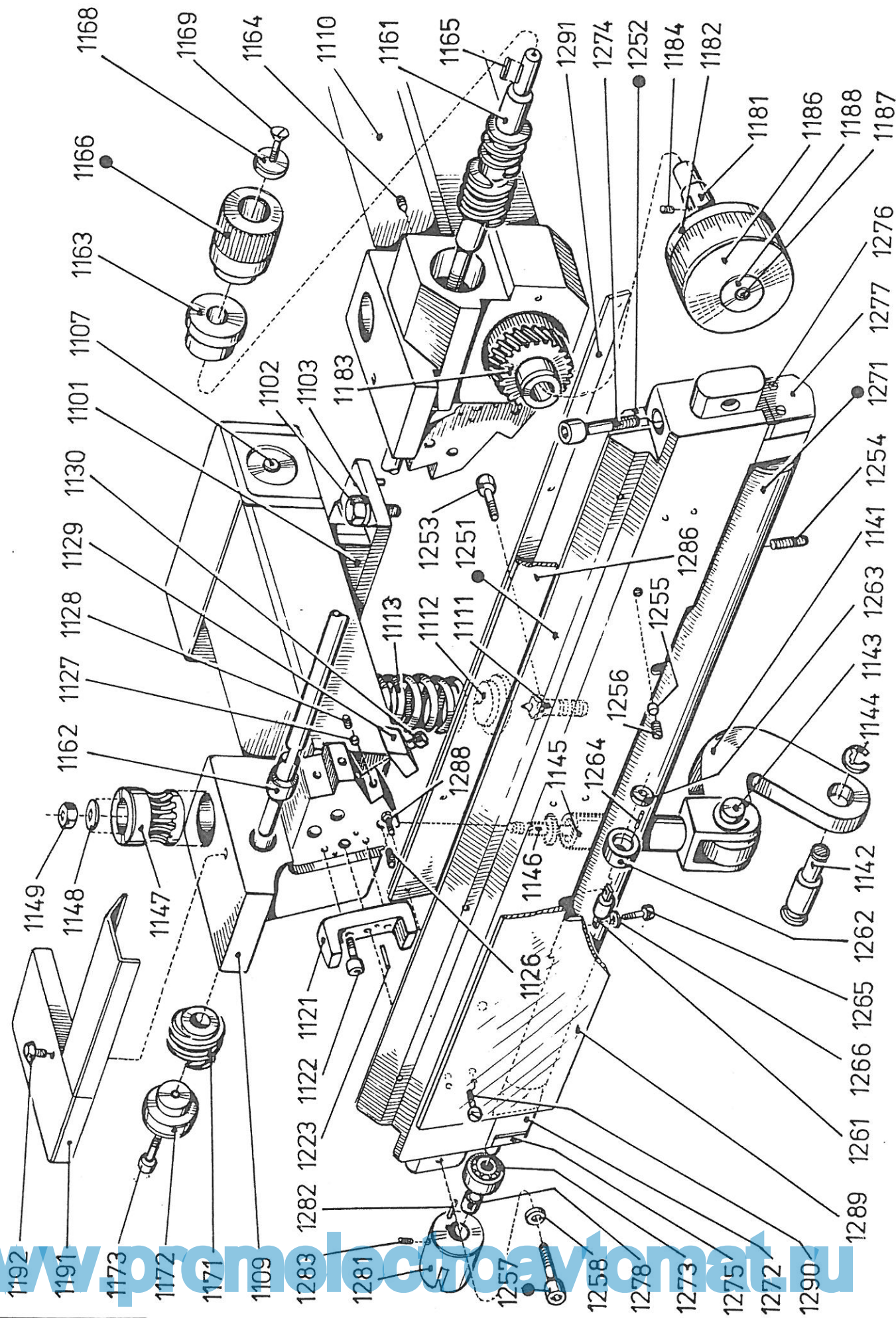




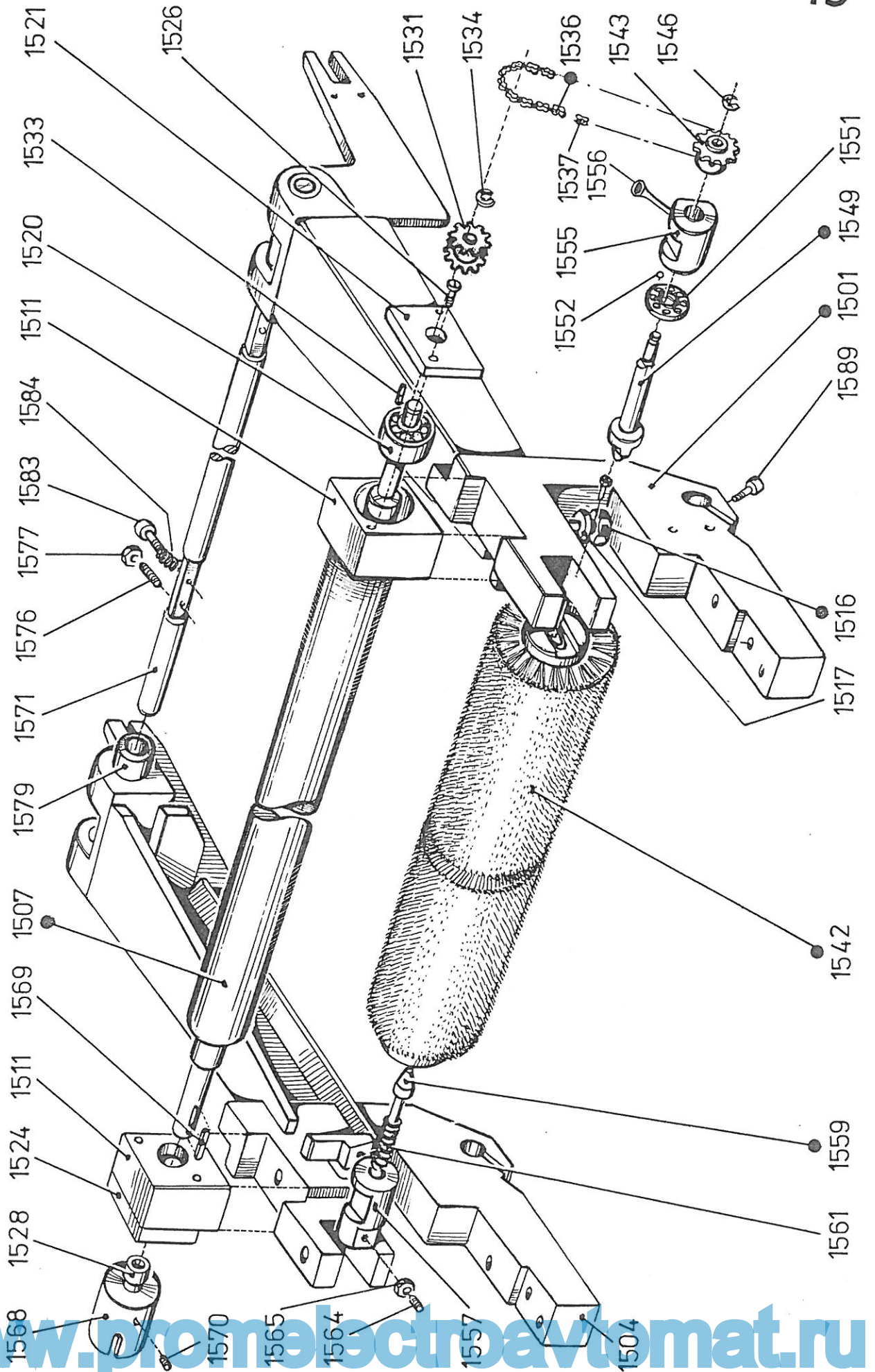


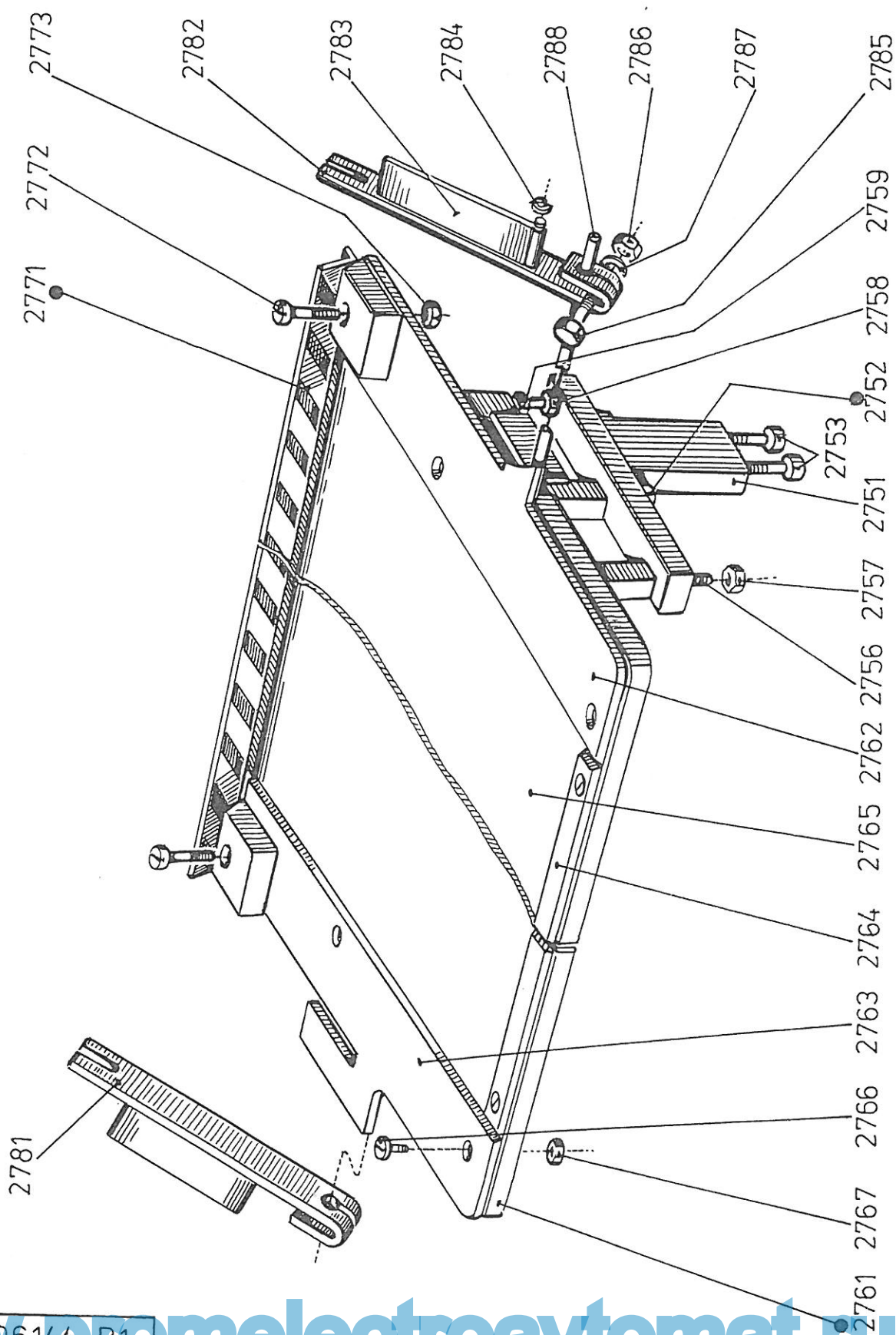




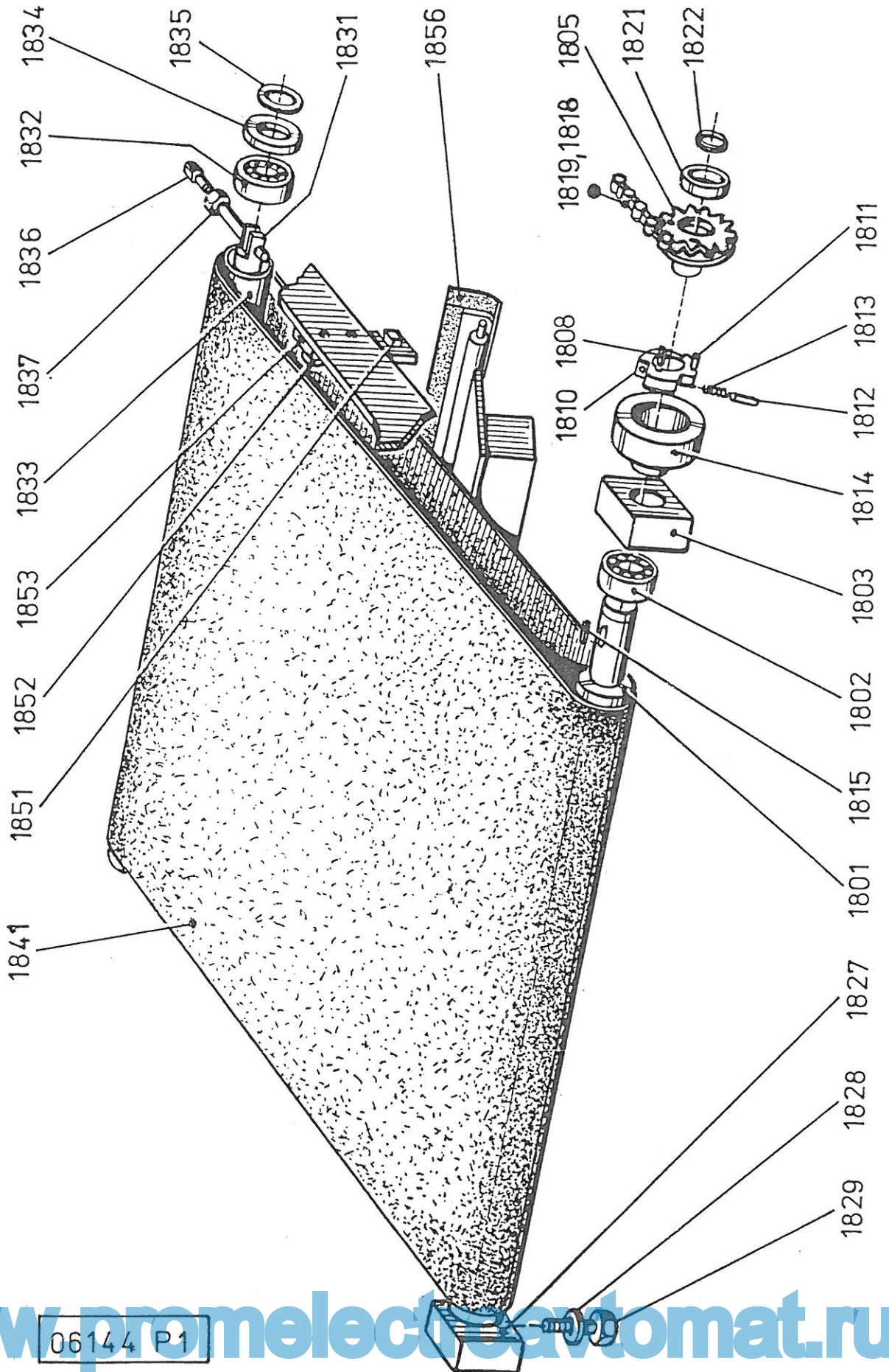


06144 P1

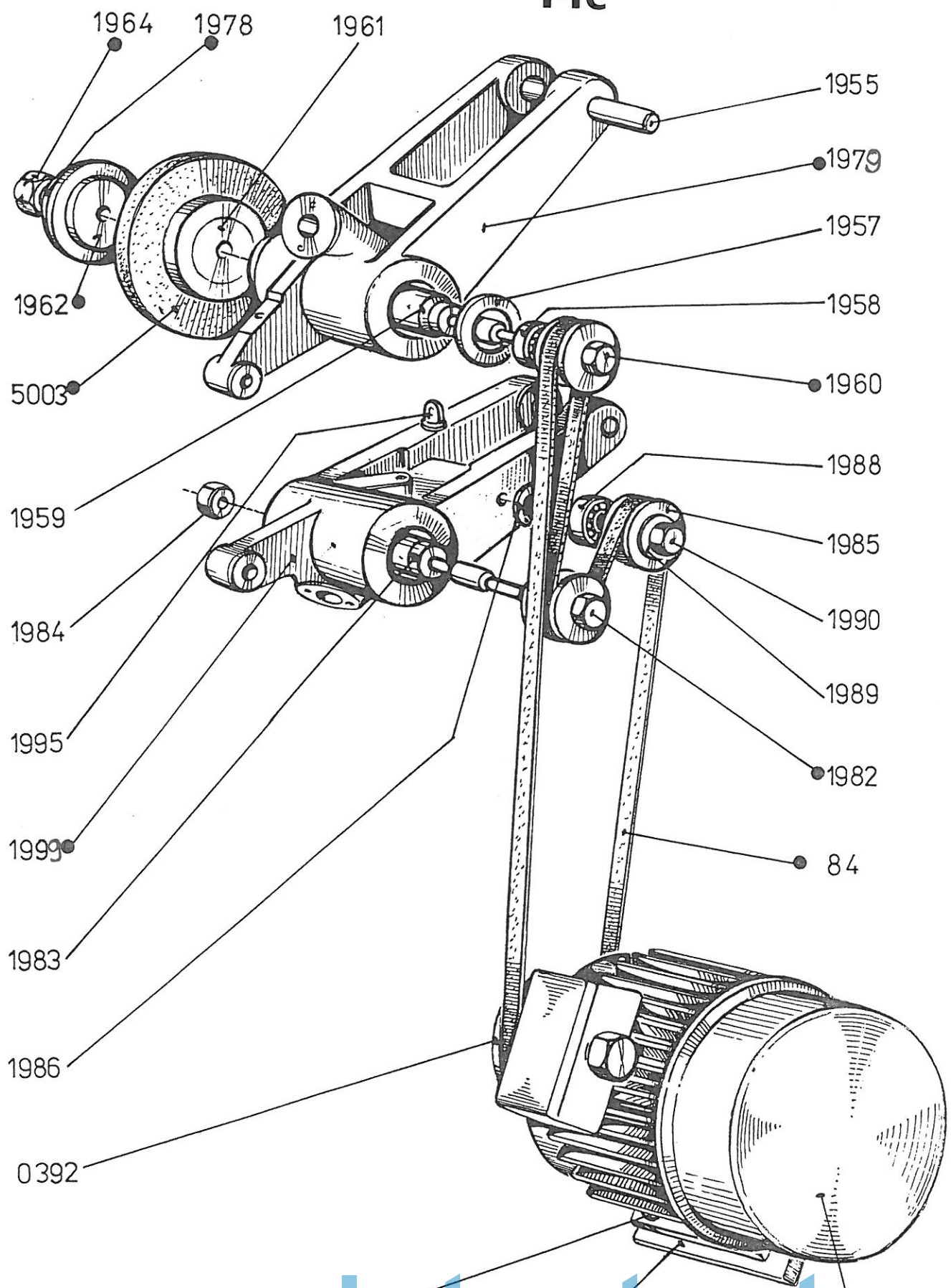




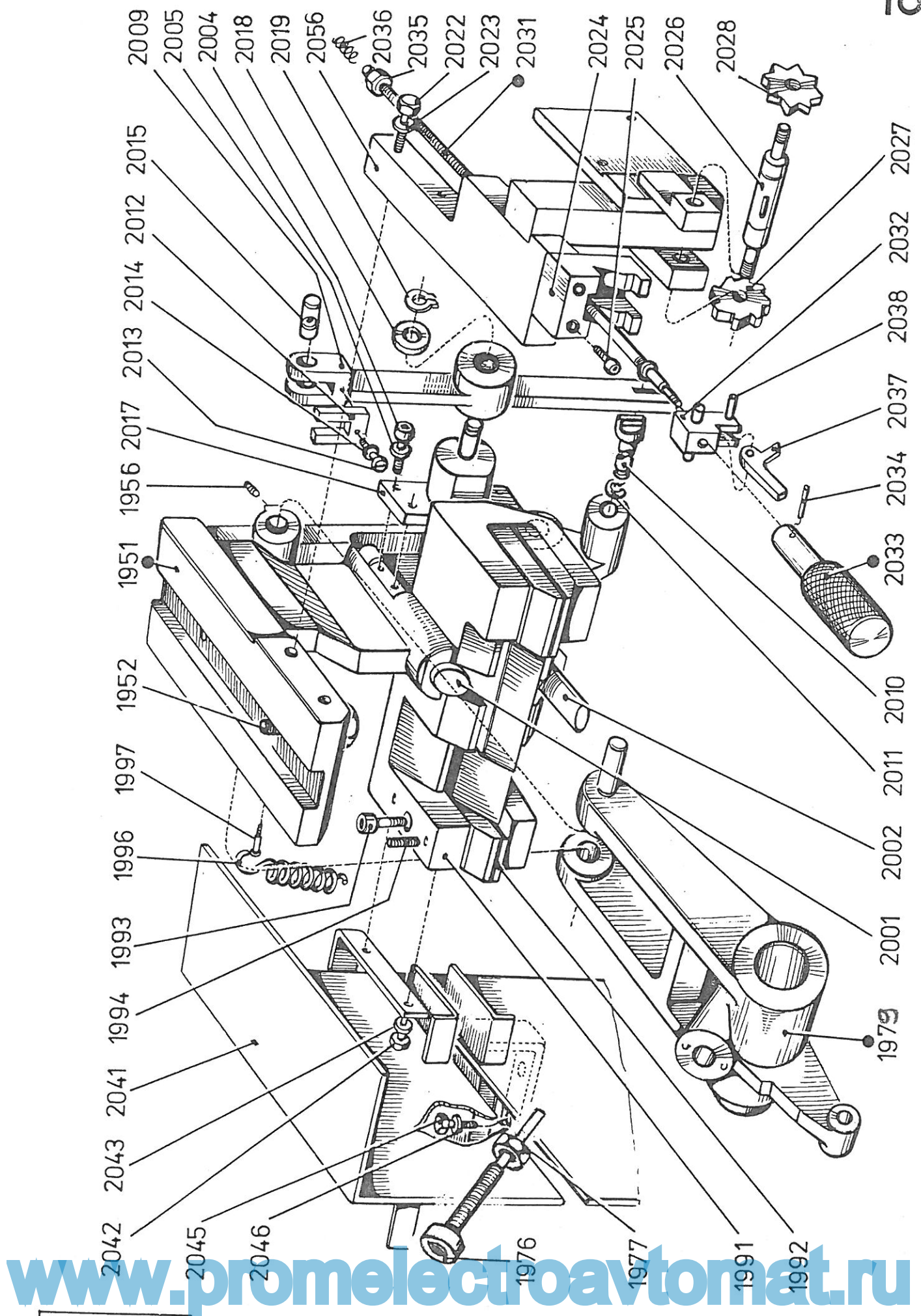
06144 P1



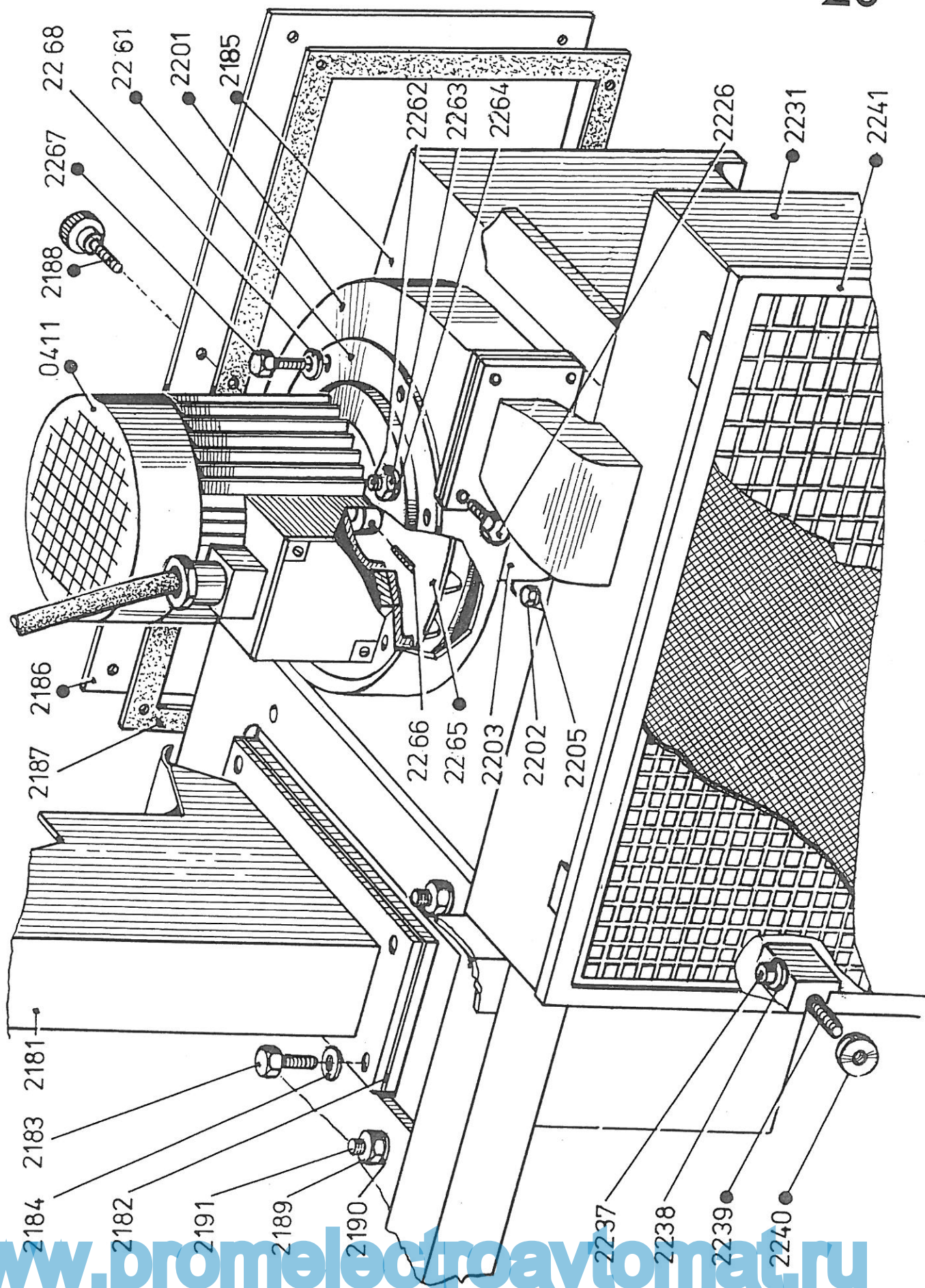
Mc



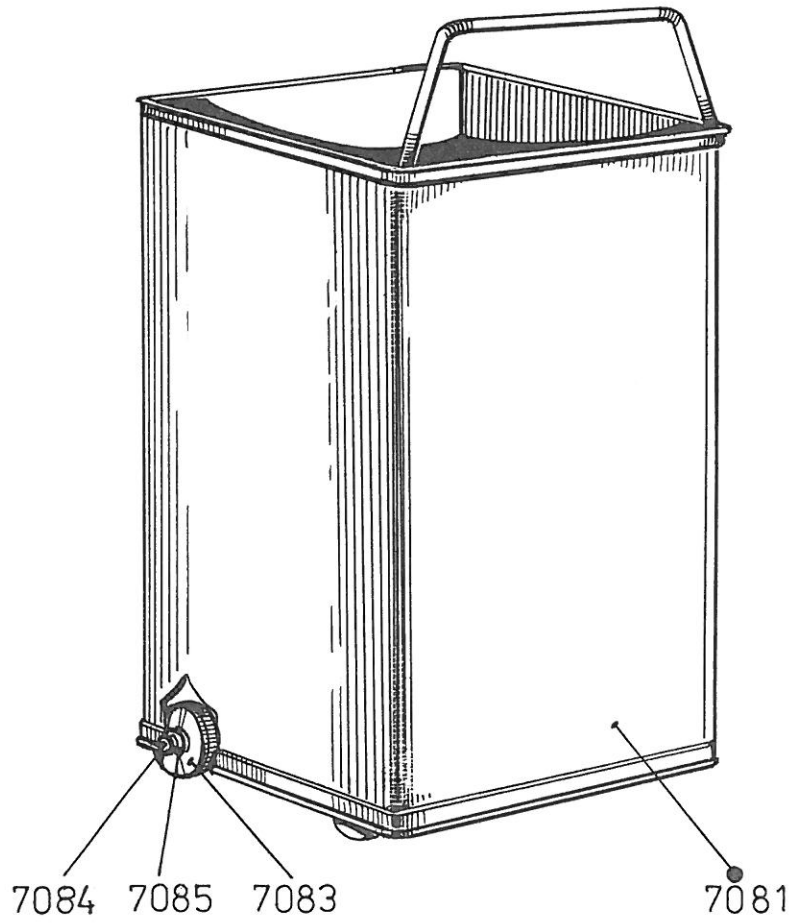
06144 P1



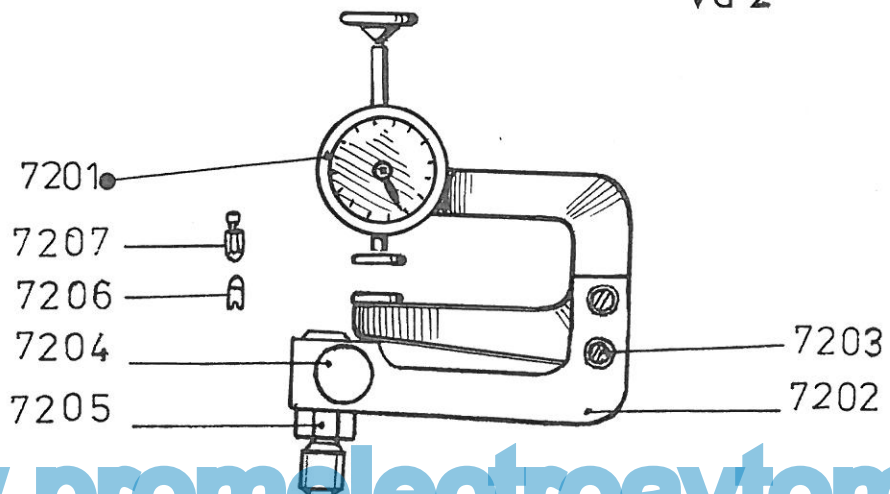
M_c

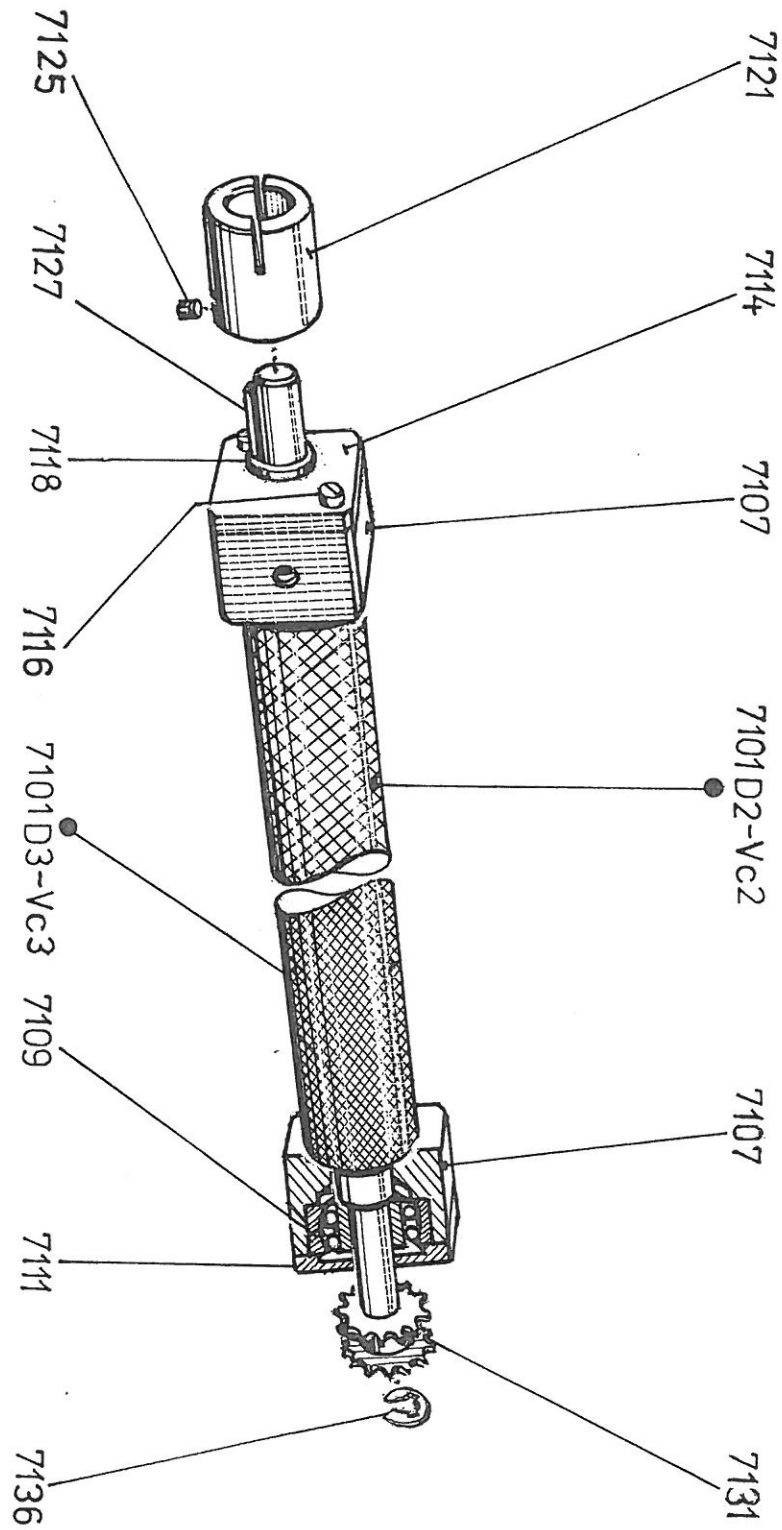


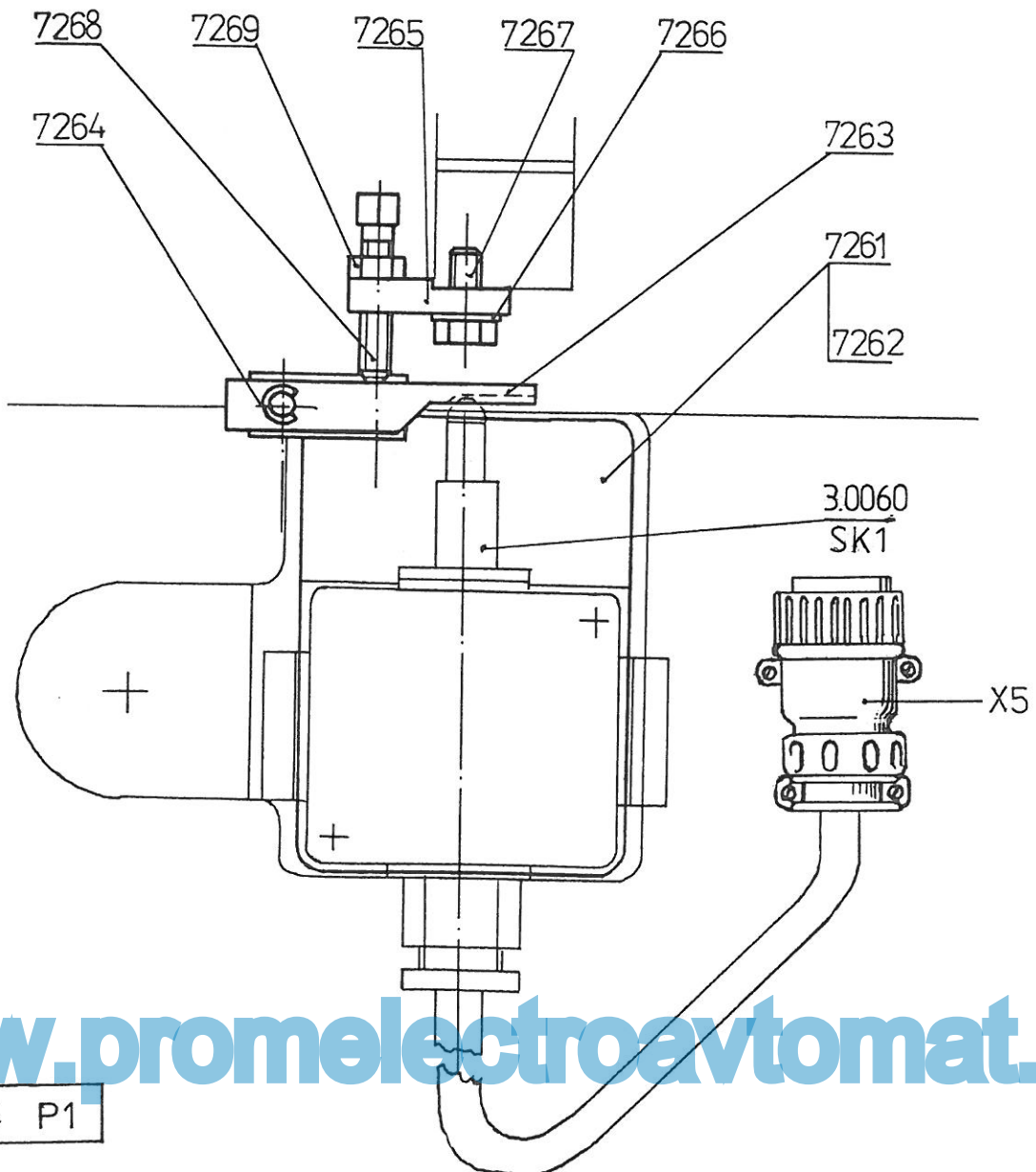
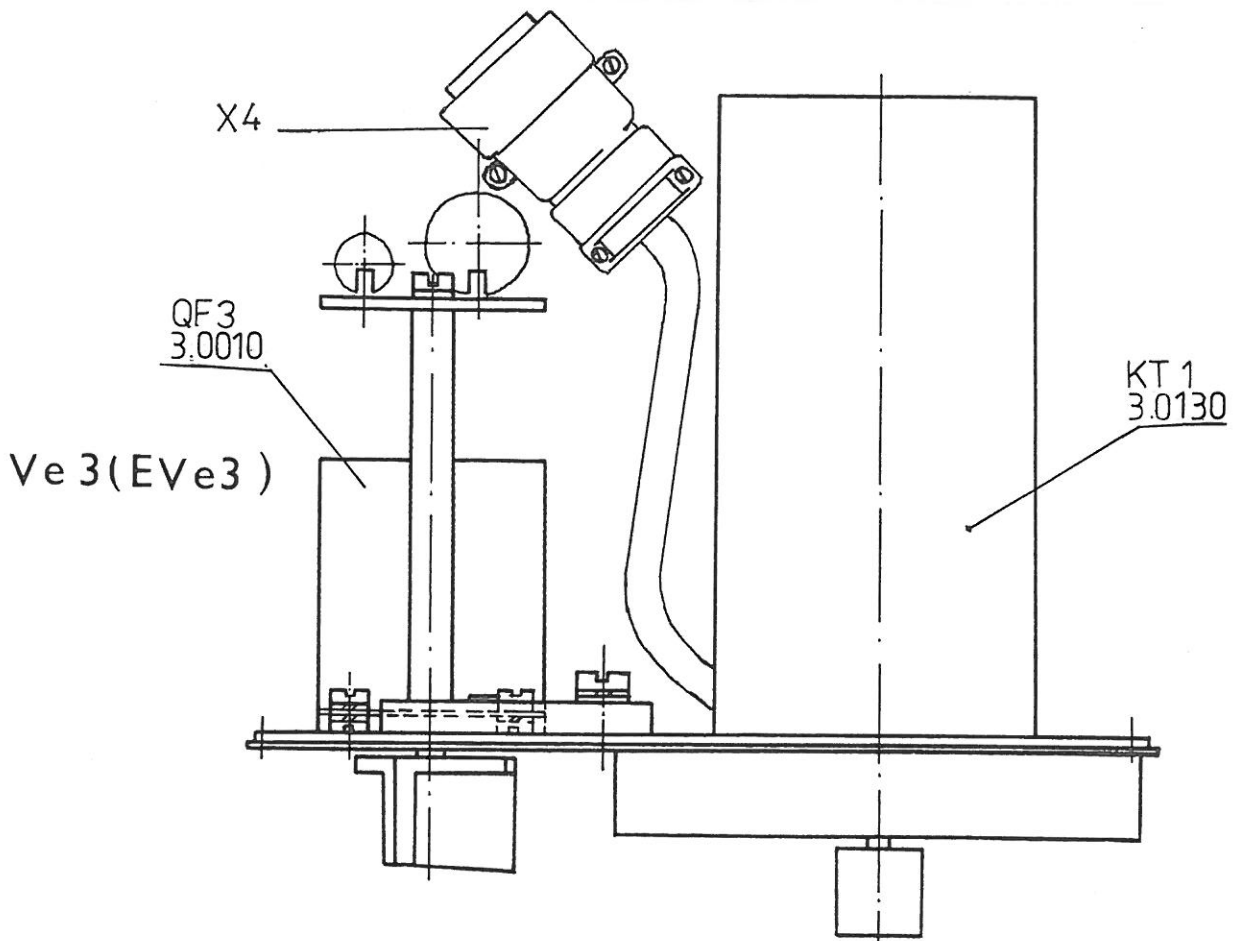
Vb 4



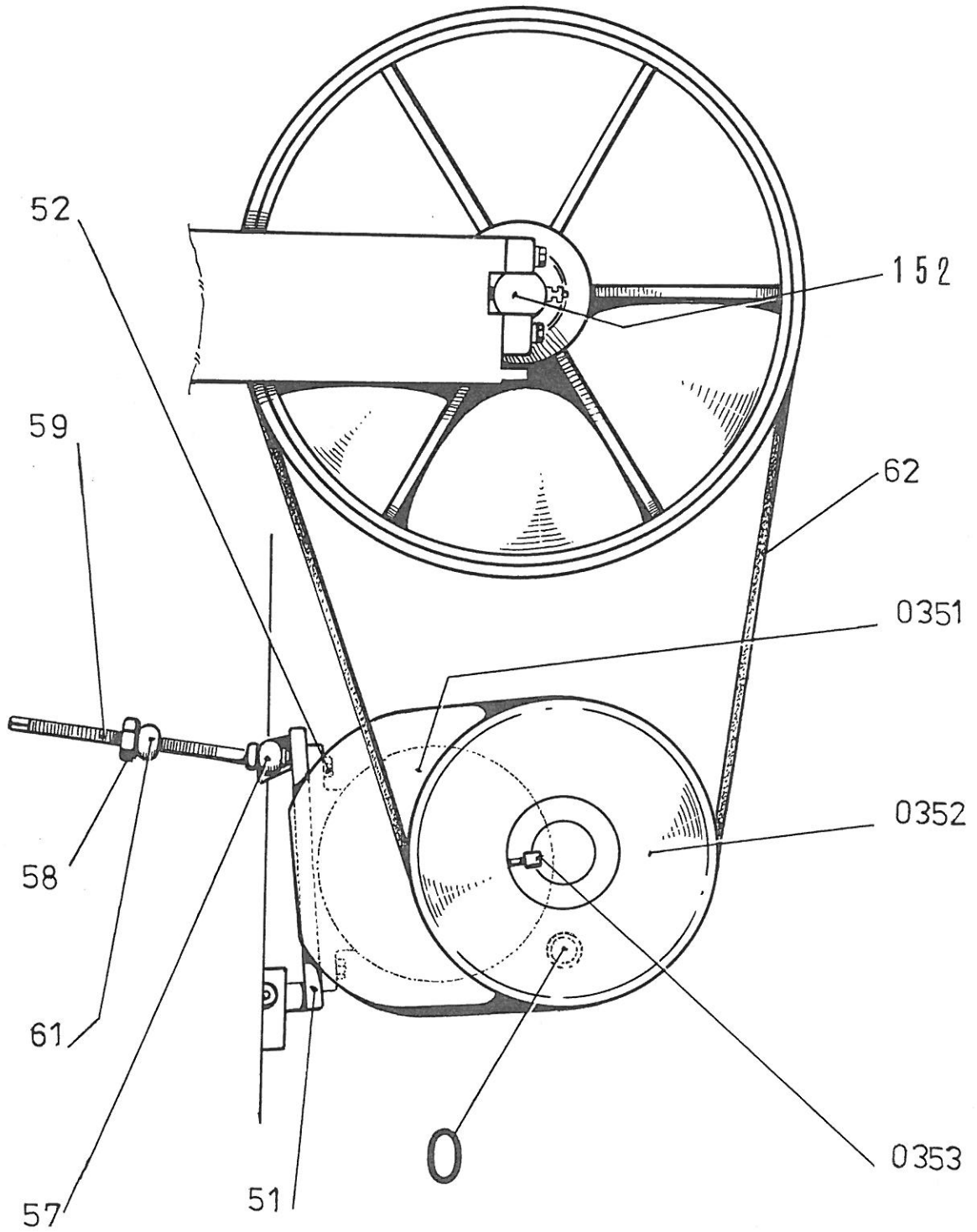
Vd 2



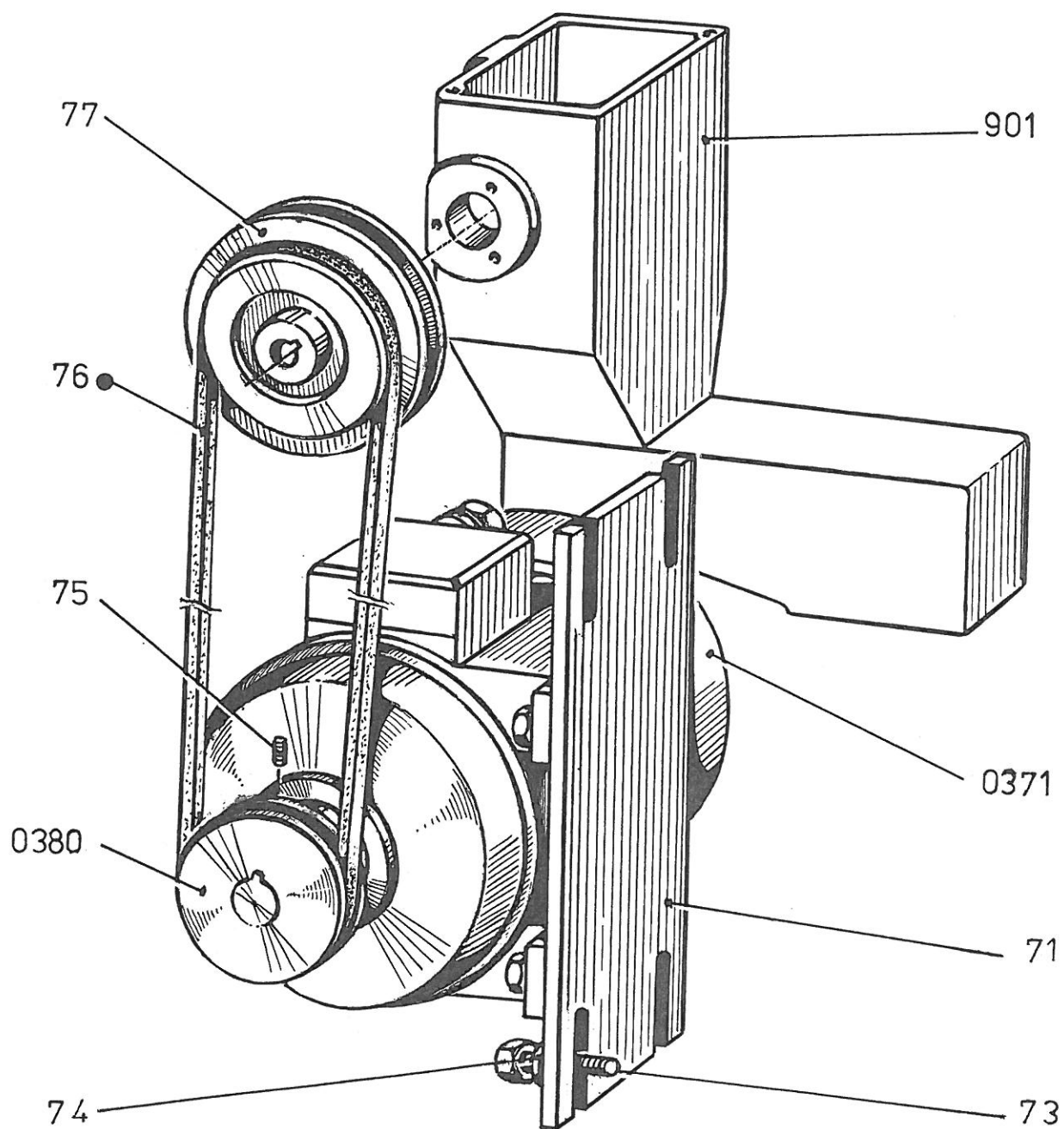


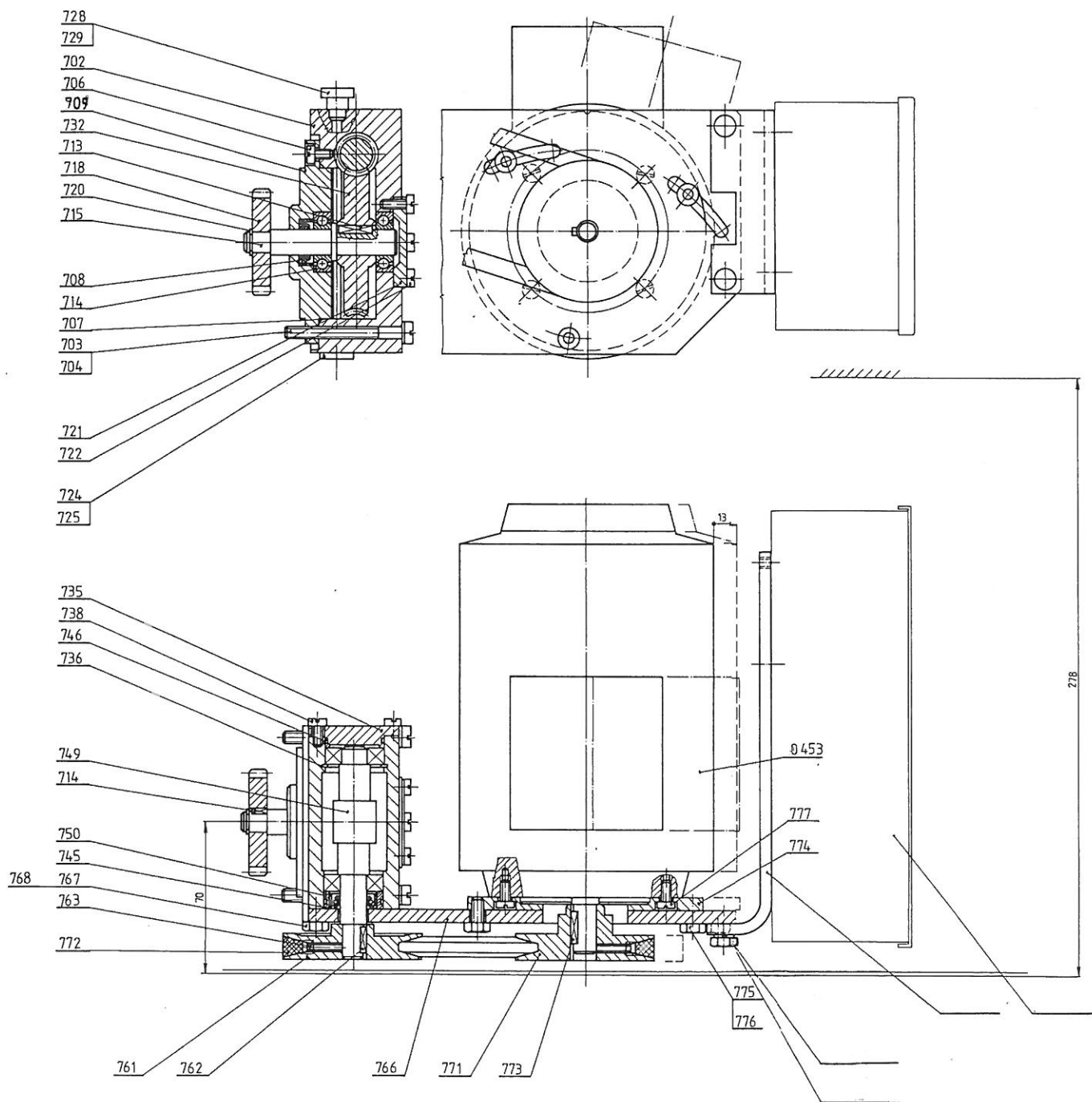


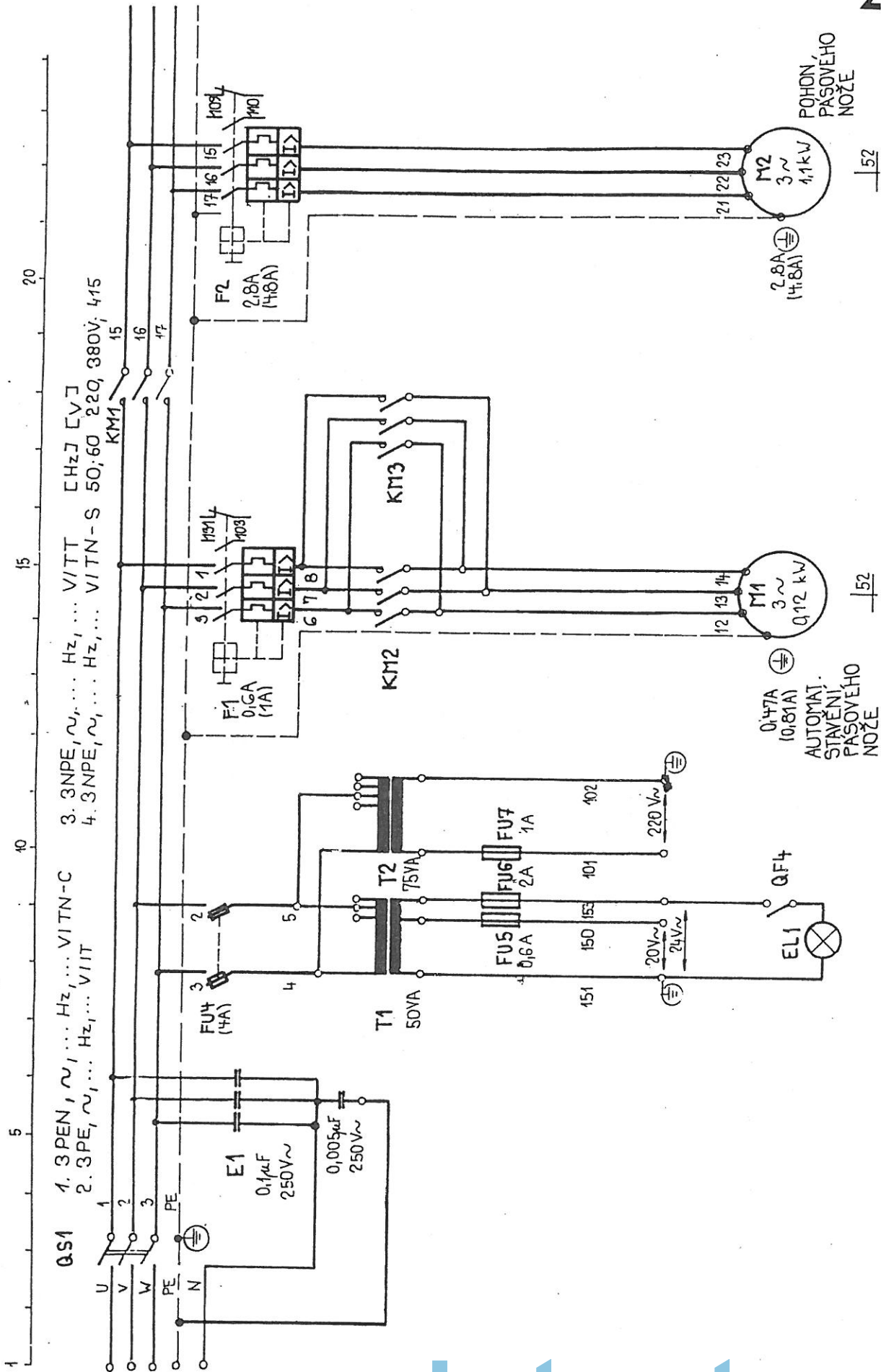
Mc

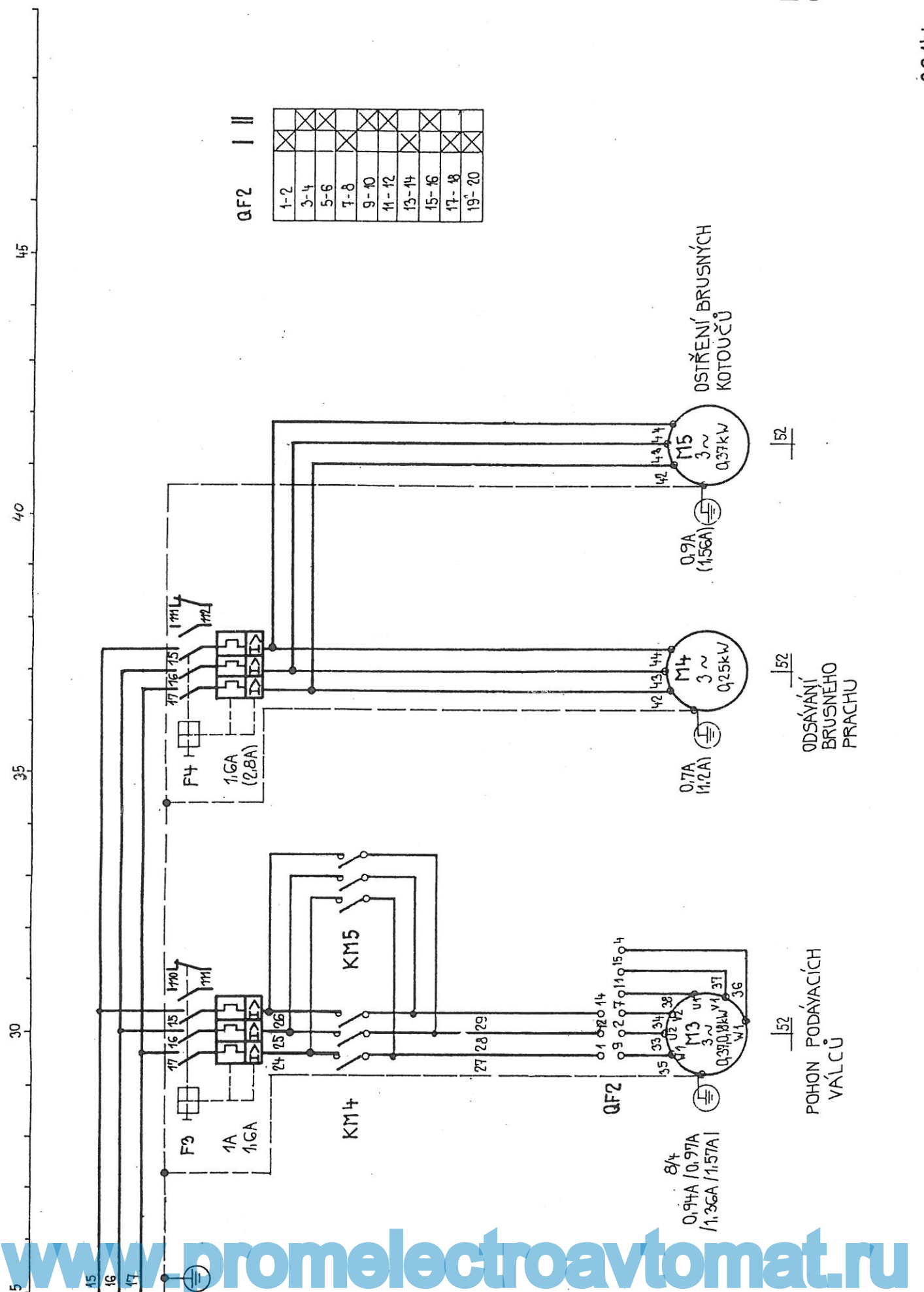


Mc









QF2 I II

1-2	×	×
3-4		
5-6		
7-8	×	×
9-10		
11-12	×	×
13-14		
15-16	×	×
17-18		
19-20	×	×

