

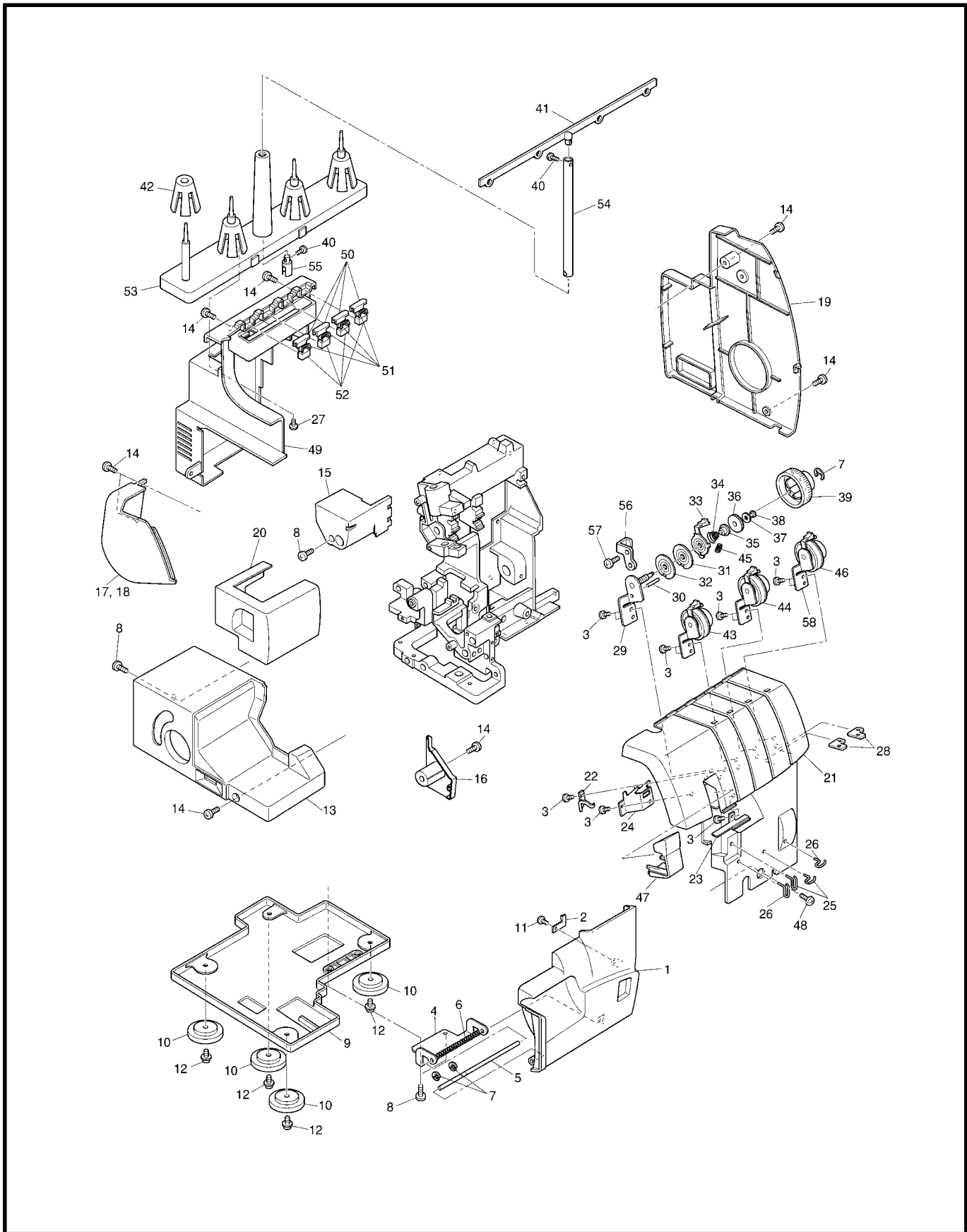
**PARTS CATALOGUE FOR
HOMELOCK**

MODEL 1034D

11. 2000.

CONTENTS

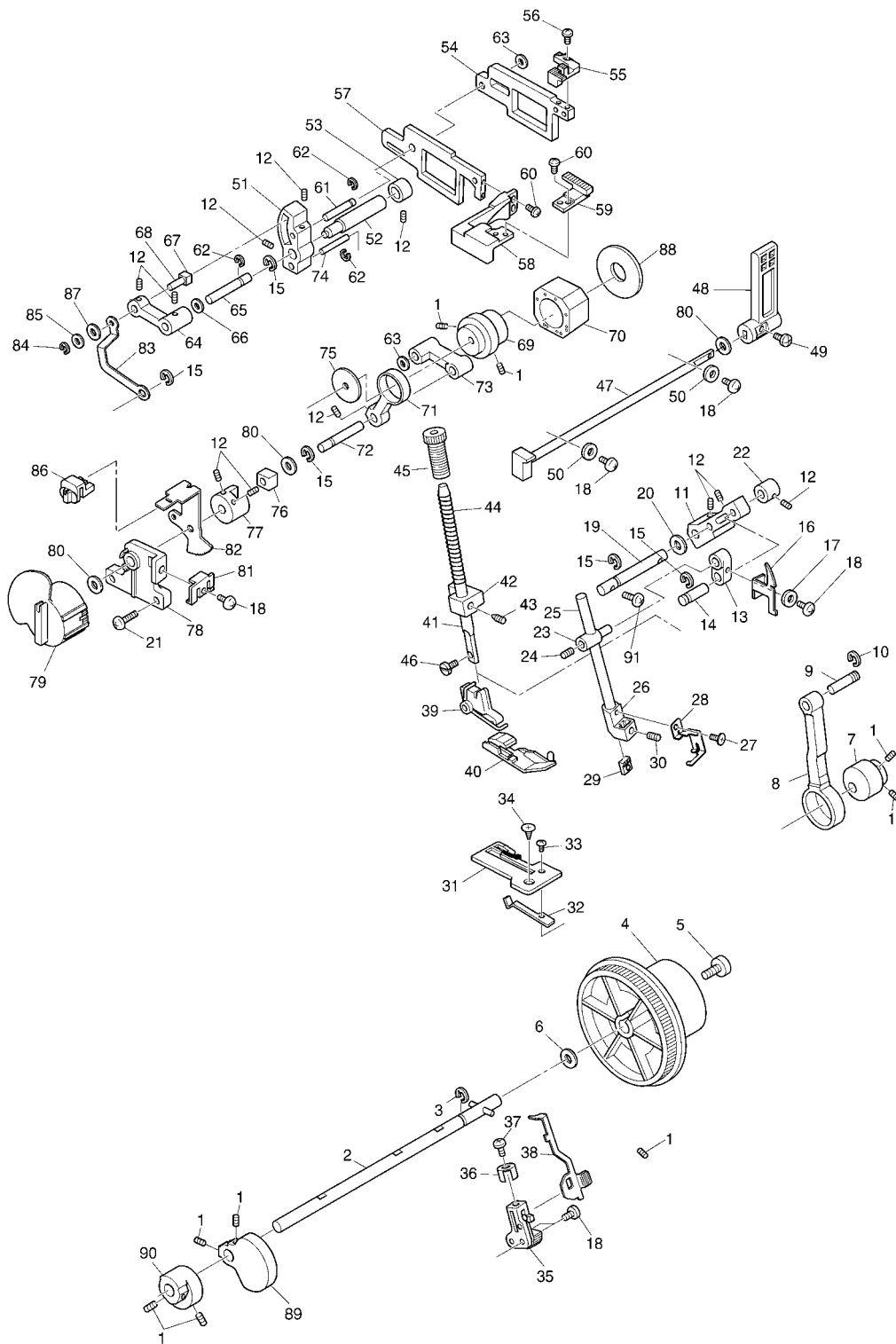
(1) PRINCIPAL PARTS.....	2
(2) NEEDLE BAR, FEED BAR AND PRESSER HOLDER.....	4
(3) KNIFE AND LOOPER	8
(4) LAMP, MOTOR AND ACCESSORY	10

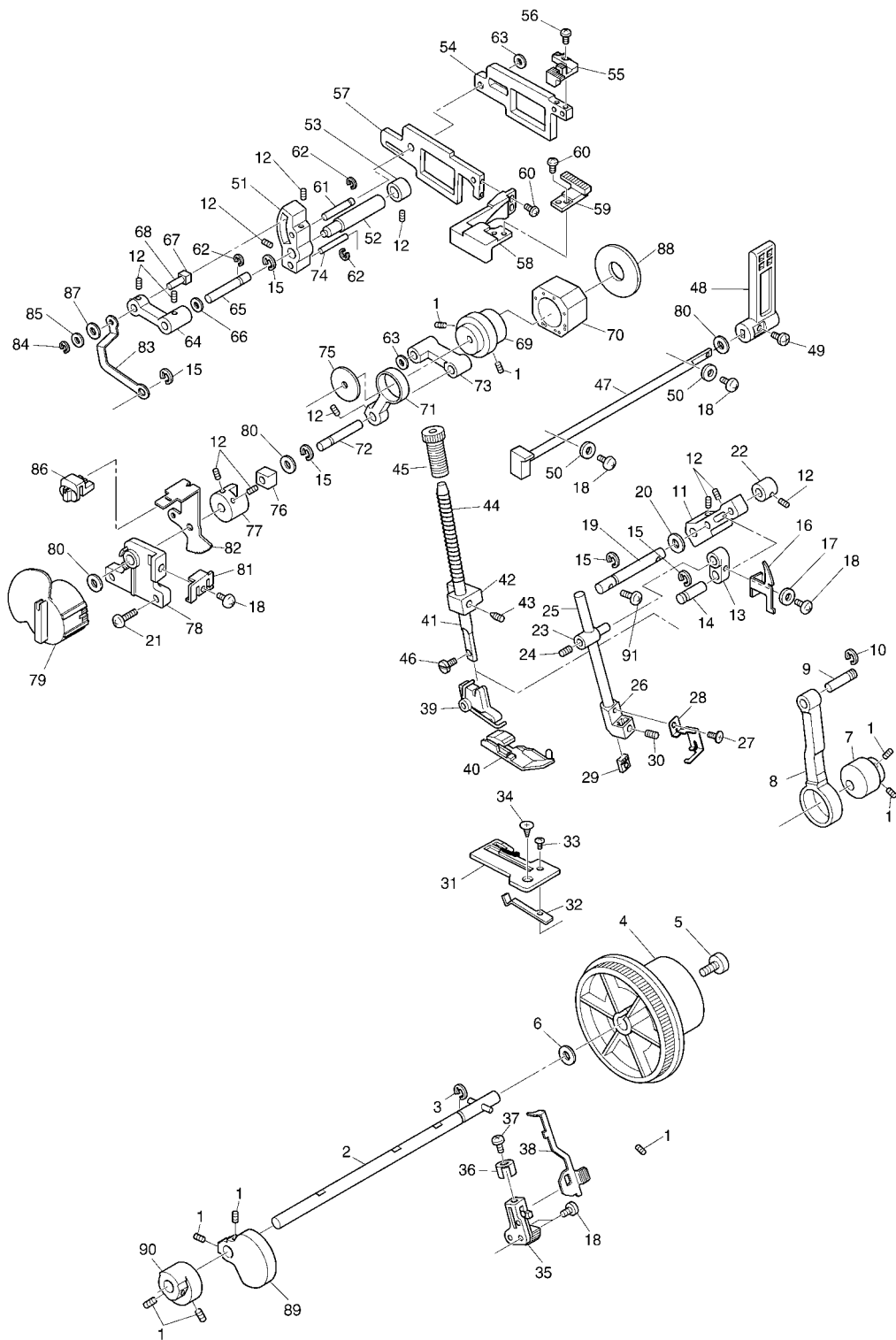


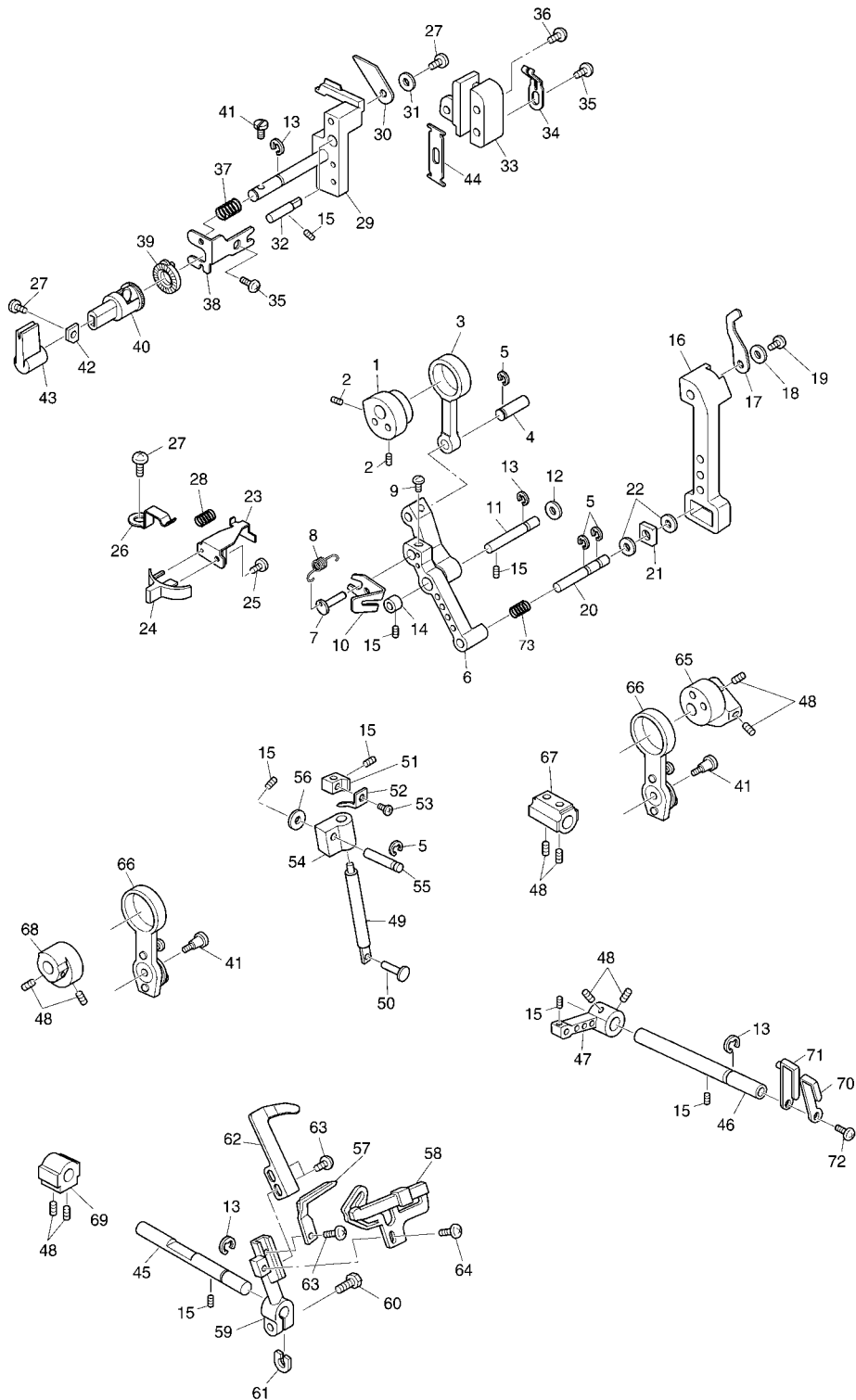
(2) NEEDLE BAR, FEED BAR AND PRESSER HOLDER

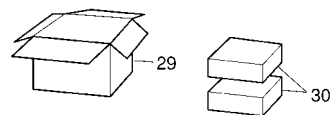
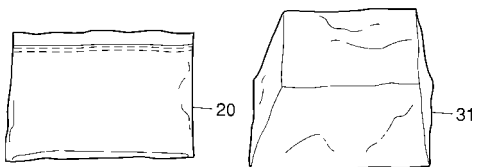
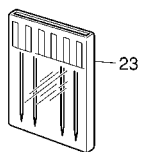
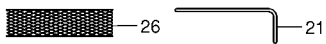
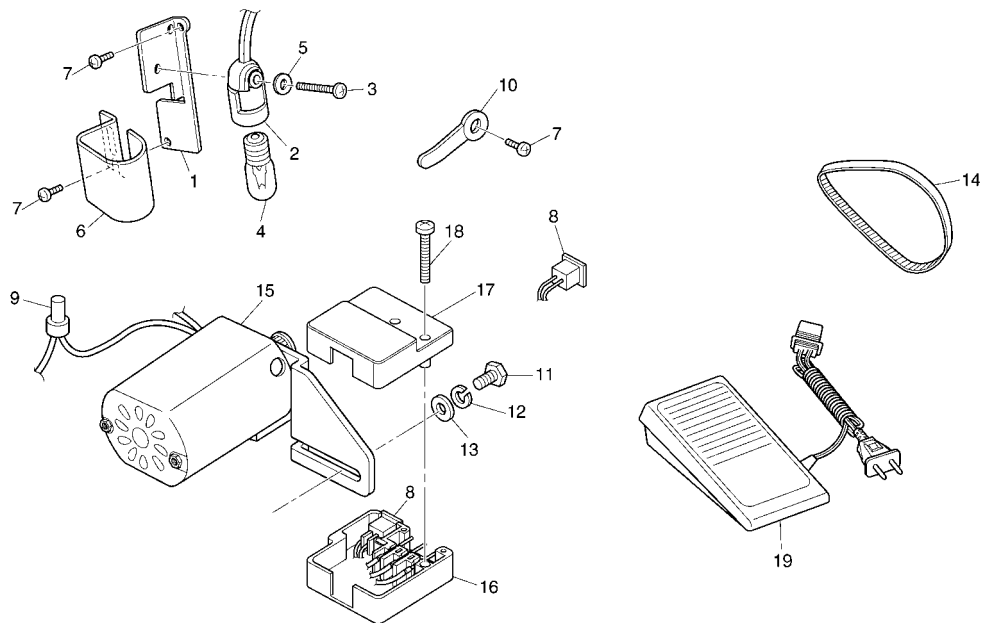
No.	PARTS No.	PARTS NAME
1	012500632	Set screw
2	XB0868001	Driving shaft assembly
3	048080142	Stop ring
4	X77603002	Timing pulley
5	X77750001	Set screw
6	X77604000	Washer
7	XB0875000	Needle bar eccentric wheel
8	138839000	Needle bar rod
9	138875001	Rod shaft
10	048060342	Stop ring
11	X77611000	Needle bar driving lever
12	014400422	Set screw
13	XB1276000	NEEDLE BAR CONNECTING LINK CHG
14	XB0806001	Needle bar rod shaft A
15	048050346	Stop ring
16	X77612001	Thread take-up
17	028040242	Spring washer
18	060400606	Set screw
19	XB0560000	Needle bar shaft
20	100197004	Washer
21	060401206	Set screw
22	X05286001	Collar
23	126656001	Needle bar connecting stud
24	014060632	Set screw
25	XB0672001	Needle bar
26	XB1106001	NEEDLE CLAMP CHG
27	X76215001	Set screw
28	XB1093001	NEEDLE BAR THREAD GUIDE CHG
29	XB0304001	Needle presser
30	016400632	Set screw
31	XB0306001	Needle plate
32	X77618001	Fixed needle guard
33	004020506	Set screw
34	100032003	Set screw
35	XB0401001	Stitch holder assembly
36	X77092001	Stitch plate spring
37	062300406	Set screw
38	XB0309001	Stitch tongue
39	XB0311001	Presser holder assembly
40	XB0316001	Presser foot assembly
41	126660001	Presser bar
42	127198000	Presser bar guide bracket
43	100058003	Set screw
44	X77621001	Presser bar spring

No.	PARTS No.	PARTS NAME
45	142860001	Presser adjusting screw
46	126851001	Set screw
47	XB0876001	Presser lifter shaft assembly
48	XB0878001	Presser foot lever
49	060300616	Set screw
50	025040332	Washer
51	X77628000	Feed bar lever
52	XB0320000	Feed bar lever shaft
53	X75150001	Collar
54	XB0321000	Main feed bar
55	XB0322001	Main feed dog
56	062300604	Set screw
57	XB0323000	Differential feed bar
58	XB0325000	Differential feed base
59	X77763001	Differential feed dog
60	060300806	Set screw
61	127784001	Overlooper shaft guide shaft
62	048040342	Stop ring
63	025050132	Washer
64	X77650000	Differential adjusting link
65	X76792001	Horizontal lever shaft
66	026060132	Washer
67	X77653000	Differential feed adjusting block
68	X77652000	Differential adjusting link shaft
69	X77634000	Feed eccentric wheel
70	X77736000	Vertical feed block
71	X77635000	Feed link
72	XB0526001	Feed link shaft
73	XB0472000	Feed bar link
74	XB0474001	Link shaft
75	XB0595001	Feed link guide
76	X77639000	Feed adjusting block
77	XB0559000	Feed adjusting lever
78	XB0328000	Feed base
79	XB0879001	Feed dial
80	X76687000	Wave washer
81	X77646001	Dial plate spring
82	XB0332001	Differential adjusting lever assembly
83	XB0334000	Differential adjusting link
84	048030342	Stop ring
85	025040232	Washer
86	XB0335002	Differential control lever
87	X76879000	Wave washer
88	XB0565001	Washer









1034D
H0080182

www.promelectroavtomat.ru