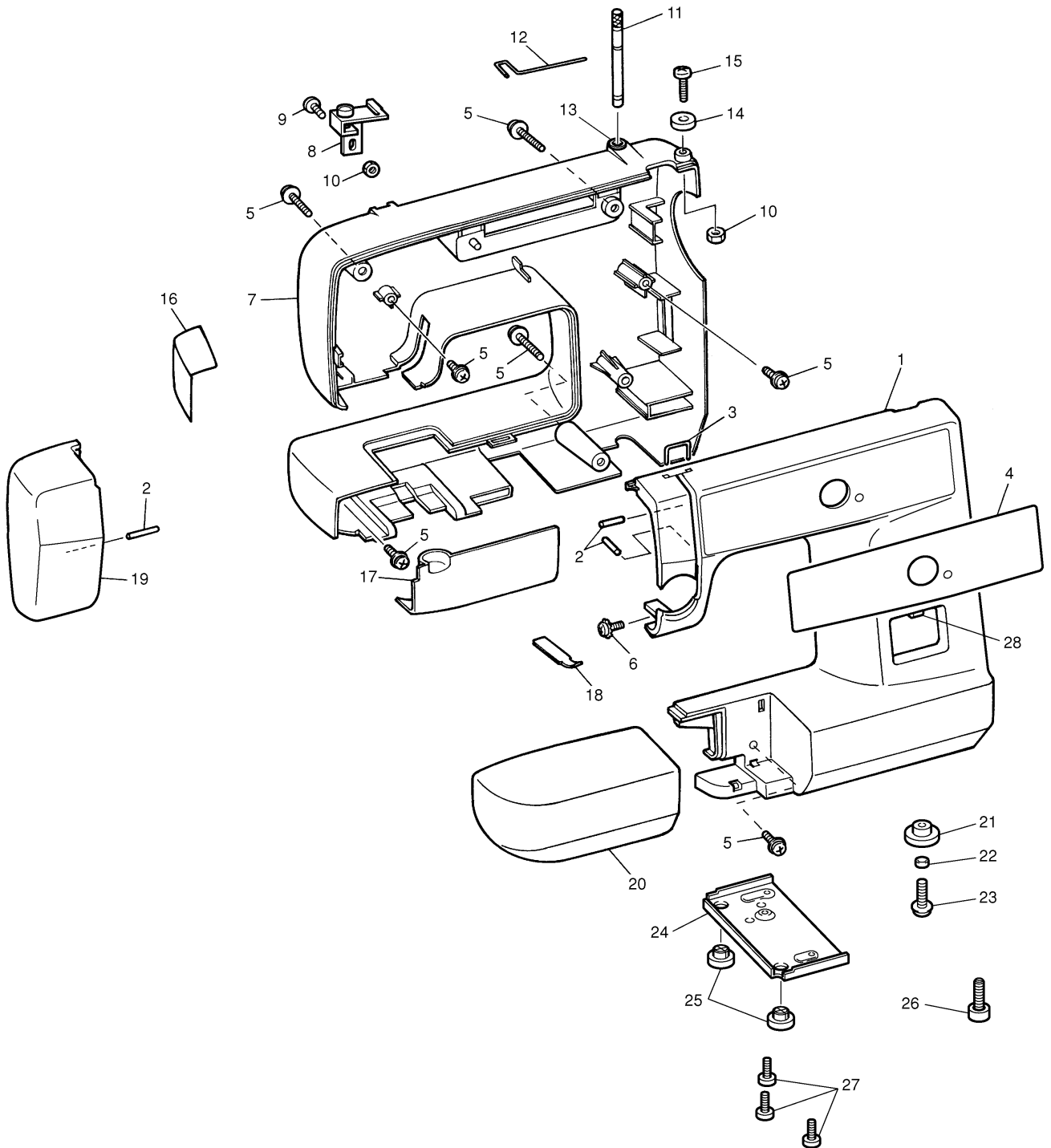


PARTS CATALOGUE FOR

LS-2220

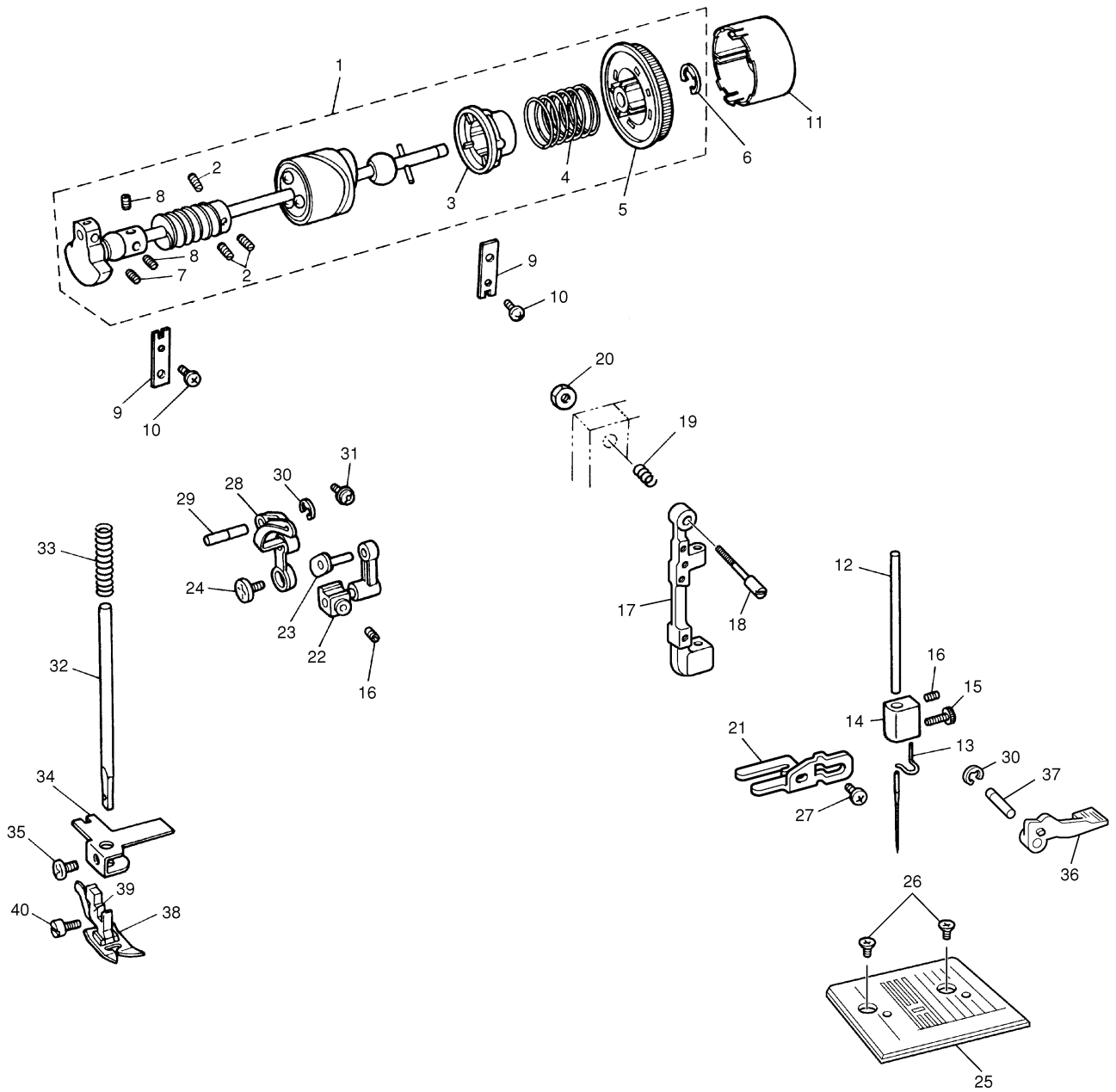
CONTENTS

(1) PRINCIPAL PARTS	2
(2) UPPER SHAFT AND NEEDLE BAR.....	4
(3) FEED MECHANISM	6
(4) PATTERN SELECTION, SHUTTLE HOOK AND UPPER TENSION	8
(5) LAMP AND MOTOR.....	10
(6) OTHER PARTS.....	12



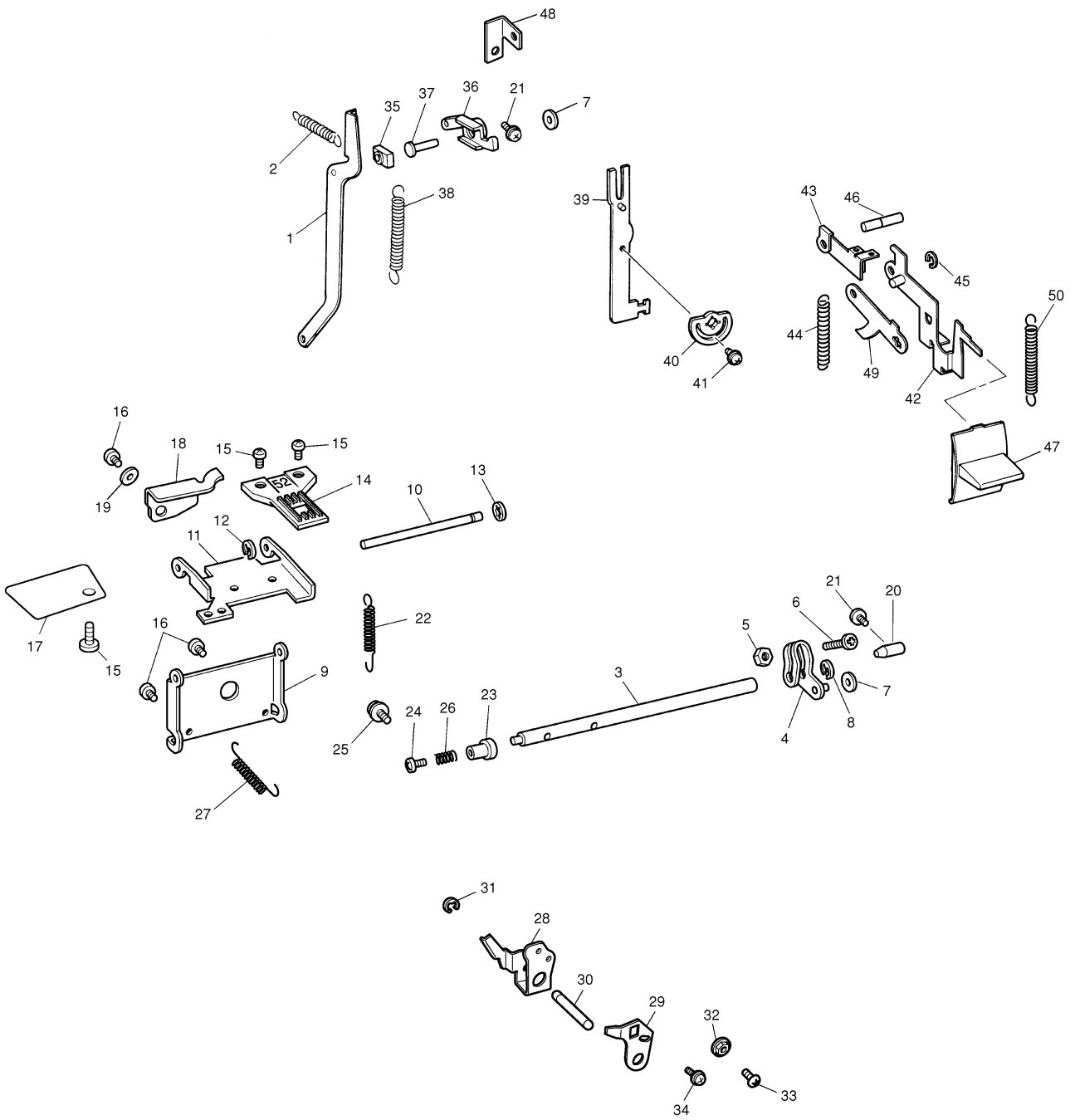
(2) UPPER SHAFT AND NEEDLE BAR

No.	CODE	PARTS NAME	REMARKS
1	XA1500621	Upper shaft assembly	
2	012400432	Screw	
3	XA0637120	Clutch plate	
4	XA0636020	Clutch spring	
5	XA0638120	Timing wheel	
6	048080346	Stop ring	
7	X54013051	Screw	
8	014400432	Screw	
9	X52478051	Bushing presser	
10	X57908051	TAPTITE,BIND S M4X10	CHG
11	XA0639021	Balance wheel	
12	XA2358121	Needle bar	
13	XA0642120	Needle bar thread guide	
14	XA0643151	Needle clamp	
15	XA0644051	Needle clamp screw	
16	012400432	Screw	
17	XA8983051	Needle bar supporter	
18	XA7942021	Needle bar supporter stud	
19	X54369021	Spring	
20	X56851051	Locknut	
21	XC0329021	Needle bar supporter guide	
22	XA1289151	Needle bar crank rod assembly	
23	XA1113051	Needle bar crank	
24	132051052	Screw	
25	XA3954051	Zigzag needle plate	
26	X50487051	Screw	
27	X57908051	Screw	
28	XA1112151	Thread take-up lever assembly	
29	XA0648150	Thread take-up lever stud	
30	048050346	Stop ring	
31	XA0649051	Screw	
32	128437050	Presser bar	
33	X55770051	Presser bar spring	
34	XA0975051	Presser bar guide bracket	
35	X52760051	Screw	
36	XA2511151	Presser foot lifter	
37	XA0977150	Presser foot lifter stud	
38	138135152	Zigzag presser foot	
39	138134051	Presser foot holder assembly	
40	132730122	TIGHTENING SCREW 3.57	CHG



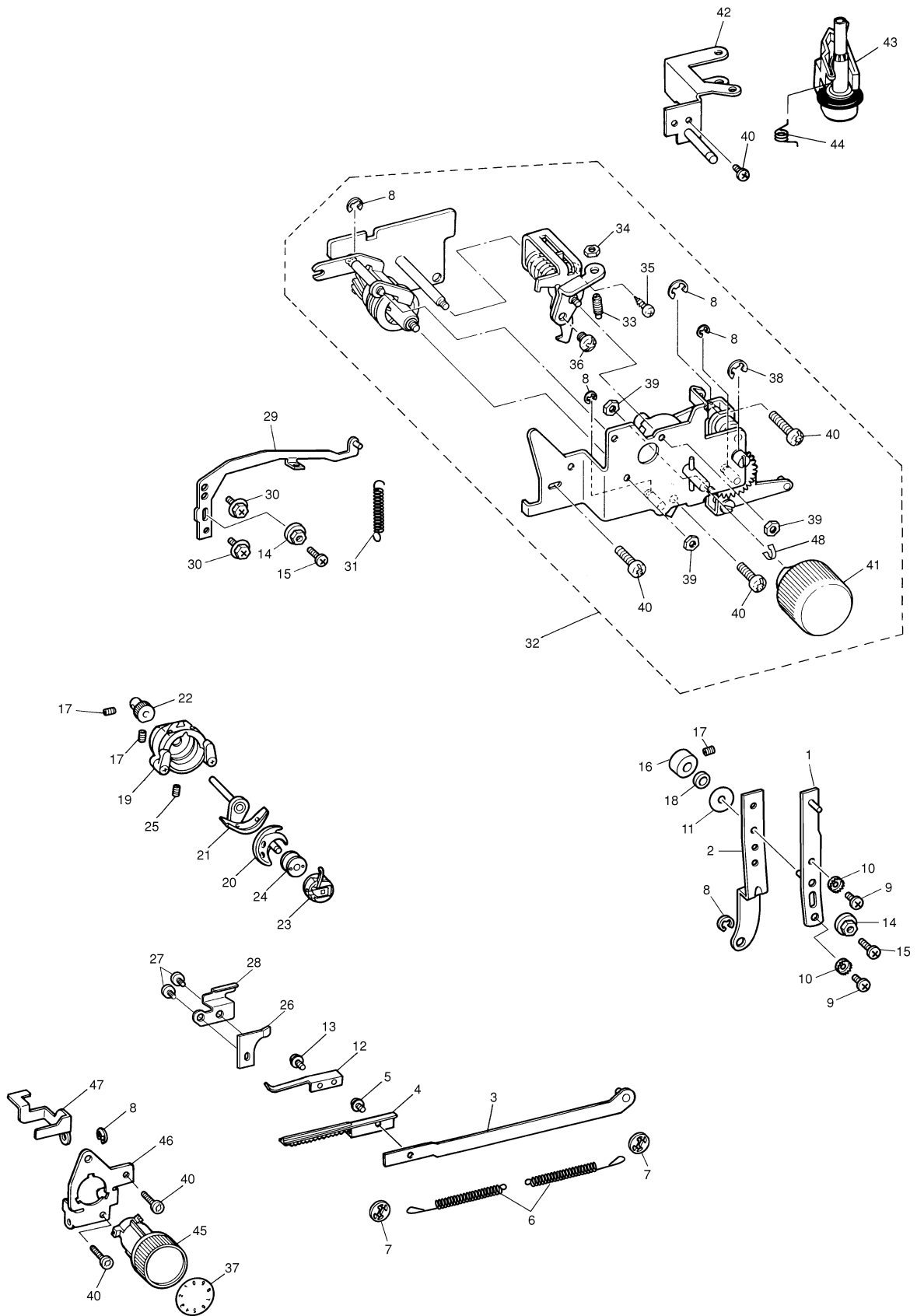
(3) FEED MECHANISM

No.	CODE	PARTS NAME	REMARKS	No.	CODE	PARTS NAME	REMARKS
1	XA0978051	Feed connecting rod		44	X59905051	Spring	
2	XA0980021	Spring		45	048040346	Stop ring	
3	XA0982020	Horizontal feed shaft		46	XA1004150	Reverse sewing shaft	
4	XA0983151	Horizontal feed shaft arm		47	XA7960021	Reverse sewing lever	
5	021400205	Nut		48	XA4534021	Stop plate L	
6	060401416	Screw		49	XA4532121	Reverse sewing lever plate A	
7	X53330020	WASHER	CHG	50	XA4568051	Spring	
8	048050346	Stop ring					
9	XA0987021	Horizontal feed plate					
10	XA0988021	Feed stand shaft					
11	XA3960021	Feed stand					
12	048030346	Stop ring					
13	146200051	Stop ring					
14	XA4430051	Feed dog					
15	060300416	Screw					
16	060400816	Screw					
17	XA3474021	Dust protect plate					
18	XA4042120	Feed stand support					
19	025040133	Washer					
20	XA1082051	Taper point Stud R					
21	X57913051	Screw					
22	XA0991021	Spring					
23	X54391150	Taper point stud L					
24	062400416	Screw					
25	XA0649051	Screw					
26	X56613021	Spring					
27	XA4692021	SPRING	CHG				
28	XA3480021	Vertical feed arm					
29	XA3481021	Vertical feed adjuster					
30	XA0995151	Vertical feed shaft					
31	048060346	Stop ring					
32	X50559020	ZIGZAG ADJUSTING NUT	CHG				
33	062300806	Screw					
34	060400516	Screw					
35	XA0030021	FEED SQUARE BLOCK	CHG				
36	XA0996020	FEED REGULATOR	CHG				
37	XA0997020	FEED REGULATOR SHAFT	CHG				
38	XA4675051	Spring					
39	XA9169021	Feed regulator plate					
40	XA1002050	Reverse sewing regulator shaft					
41	052300606	Screw					
42	XC0376021	Reverse sewing lever plate B assembly					
43	XA4533021	Reverse sewing lever plate C					



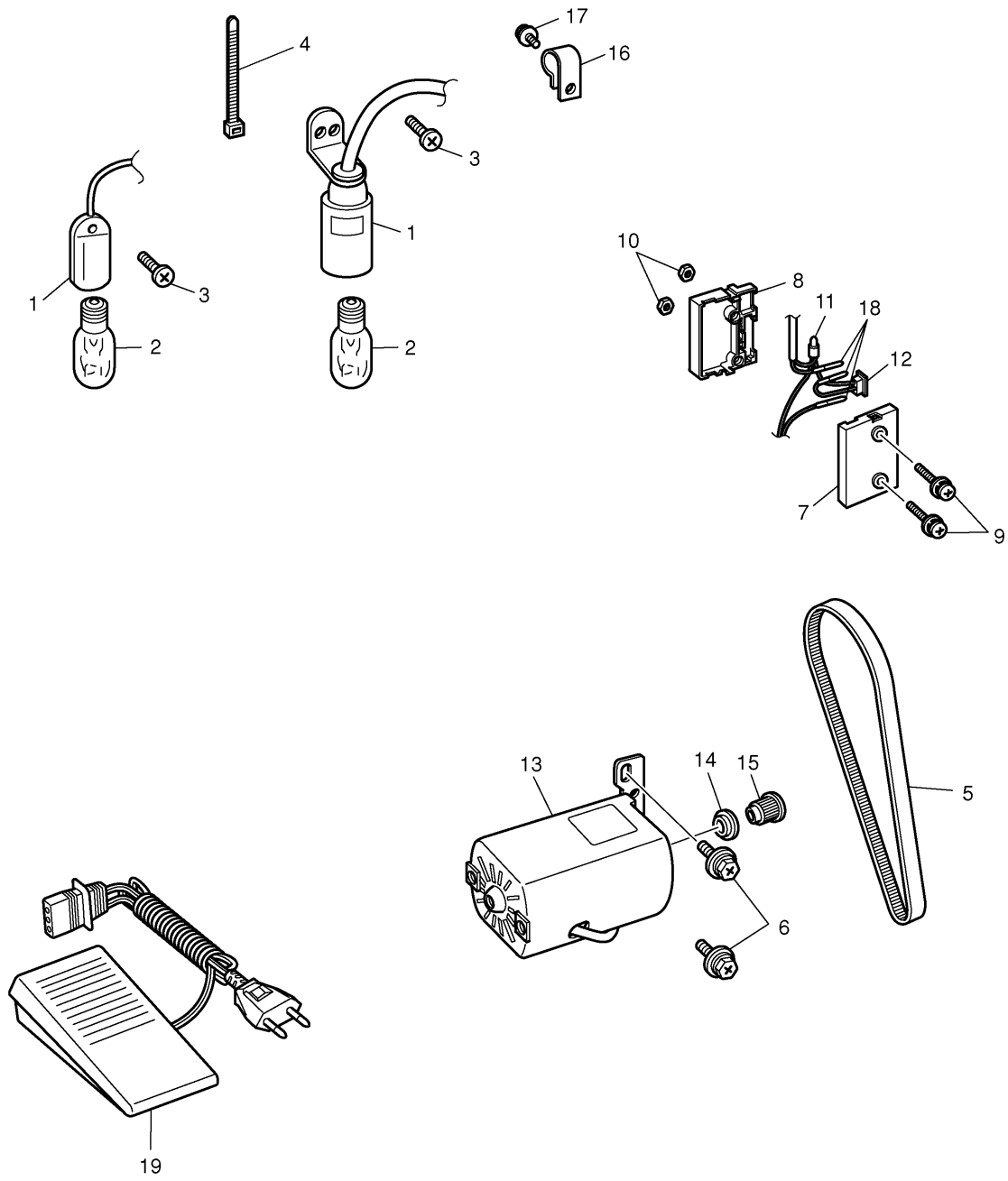
(4) PATTERN SELECTION, SHUTTLE HOOK AND UPPER TENSION

No.	CODE	PARTS NAME	REMARKS	No.	CODE	PARTS NAME	REMARKS
1	XA4693151	Cam drive connecting rod A assembly		43	XA1049021	Bobbin winder spindle assembly	
2	XA1012251	Cam drive connecting rod B		44	X59939021	Bobbin winder spring	
3	XA1014021	Cam drive connecting rod C assembly		45	XA1052051	Upper tension control dial	
4	XA1017120	Rack		46	XA4426021	Upper tension control holder assembly	
5	052300606	Screw		47	XA1058021	Upper tension control releasing lever	
6	XA3439021	Spring		48	XC0549020	Dial hold plate	
7	146200051	Stop ring					
8	048040346	Stop ring					
9	060400816	Screw					
10	XA6909051	Toothed washer					
11	131976020	WASHER THRUST	CHG				
12	XA1019021	Rack plate spring					
13	XA8290051	SCREW 4 x 8	CHG				
14	X50559050	Nut					
15	062301006	Screw					
16	X52077151	Collar					
17	014400432	Screw					
18	X53330050	Washer					
19	XA1317051	Shuttle race assembly					
20	128581053	Shuttle hook					
21	XA1021051	Shuttle driver assembly					
22	XA1025051	Driver shaft gear					
23	128582053	Bobbin case assembly					
24	X52800150	Bobbin					
25	014400632	Screw					
26	X57313151	Rack stopper					
27	X57908051	Screw					
28	XA5702021	Rack stopper A					
29	XA4483151	Zigzag connecting rod					
30	XA8474051	Screw					
31	XA1529021	Zigzag connecting rod spring					
32	XC0363021	Pattern selection dial assembly					
33	XA1620051	Adjusting screw					
34	X56851021	Locknut					
35	136681051	Screw					
36	060400416	Screw					
37	XA1255121	Upper tension control dial plate					
38	048050346	Stop ring					
39	021400202	Nut					
40	X57908051	Screw					
41	XC0369021	Pattern selection dial					
42	XA7986021	Bobbin winder holder assembly					



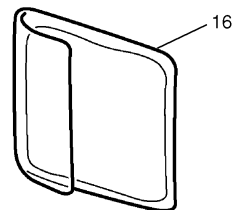
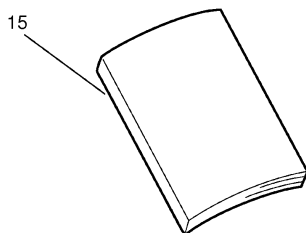
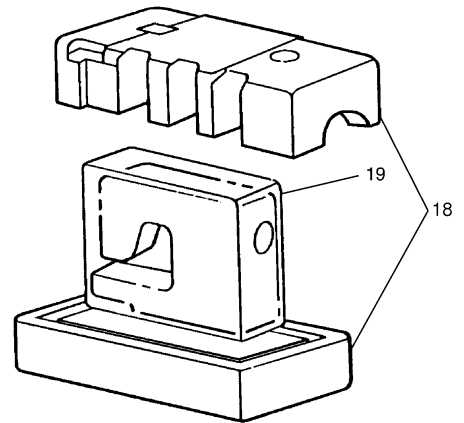
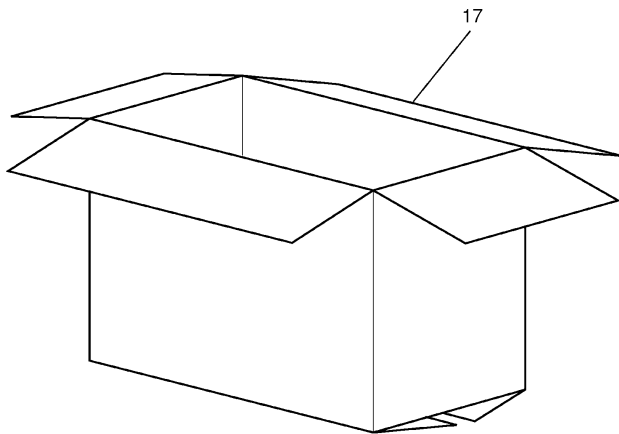
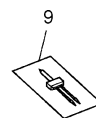
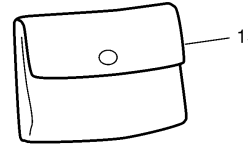
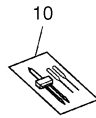
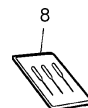
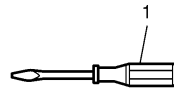
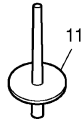
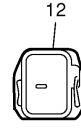
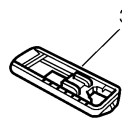
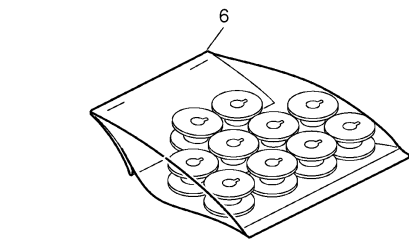
(5) LAMP AND MOTOR

No.	CODE	PARTS NAME	REMARKS
1	XC0483021	Sew-light assembly (100-120V)	
	XA1064021	Sew-light assembly (220-240V)	
2	X53061020	Sew-light bulb (100-120V)	
	205336020	Sew-light bulb (220-240V)	
3	X57984051	Screw (100-120V)	
	XA1623051	Screw (220-240V)	
4	X53169020	BAND (220-240V)	CHG
5	XA1196051	Timing belt	
6	XA3004051	Screw	
7	XA8786021	3P socket body	
8	XA8787021	3P socket cover	
9	052403006	Screw	
10	021400205	Nut	
11	214808050	Connector	
12	XA1070021	PW switch assembly (100-120V)	
	XA1073021	PW switch assembly (220-240V)	
13	XA1071351	MOTOR : MM-BU1-9C	CHG
	XA1429121	MOTOR : MM-251-51 (220V)	CHG
	XA2252051	Motor (220V:Korea)	
	XA1431121	MOTOR : MM-251-53 (240V)	CHG
	XA2446051	Motor (220V/230-240V)	
	XA1430121	MOTOR : MM-251-52 (230V)	CHG
14	XA1265120	Timing belt pulley A	
15	XA1266120	Timing belt pulley B	
16	XA7678021	CORD CRAMP	CHG
17	XA8290051	Screw	
18	138598051	Socket pin	
19	XC6666021	FOOT CONTROLLER : FC-316-27-LF	CHG
	XA6422021	Foot controller (220-240V)	
	XA6412021	Foot controller (U.K.)	
	XA6424021	Foot controller (Korea)	
	XA6414021	Foot controller (Australia)	
	XA6430021	Foot controller (China)	



(6) OTHER PARTS

No.	CODE	NAME	REMARKS
1	X55467051	Screw driver (M)	
	X55468051	Screw driver (S)	
2	X59370051	Zipper foot	
3	X59369351	BUTTON HOLE FOOT ASSY	CHG
4	X59375051	Button fitting foot	
5	X54243001	Seam ripper	
6	XA5537051	Bobbin (with UPC)	
	XA5537052	Bobbin (without UPC)	
7	X55465051	Oiler	
8	129583001	Needle set	
9	X57521001	Needle set T	
10	X58604001	Needle set (Korea)	
11	130920021	EXTRA SPOOL PIN	CHG
12	XA3442151	Feed dog cover	
13	XC4487021	ACCESSORY BAG	CHG
14	XA5771051	Scissors	
15	194404111	INSTRUCTION BOOK (Eng., Fr., Sp., Portugal)	CHG
	194404012	Instruction manual (Ger., Fr., Du., It.)	
16	XA2112021	Cover	
17	X60360032	Carton (LS-2220:Color, U.S.A)	
	X61211045	Carton (Europe)	
18	X61315020	Upper polystyrene	DEL
19	X61316020	Lower polystyrene	DEL
19	X60439121	BAG 630X630T	CHG
	130800021	BAG 220X310	ADD
New Spec			
17	X61674036	Carton (LS-2320)	ADD
18	X61390020	400SF ASSY	ADD
	X61390021	400SF ASSY (KOREA)	ADD



LS-2220
T1010135