

PARTS CATALOGUE FOR
COMPUTERIZED SEWING MACHINE
PC6000
SUPER ACE I

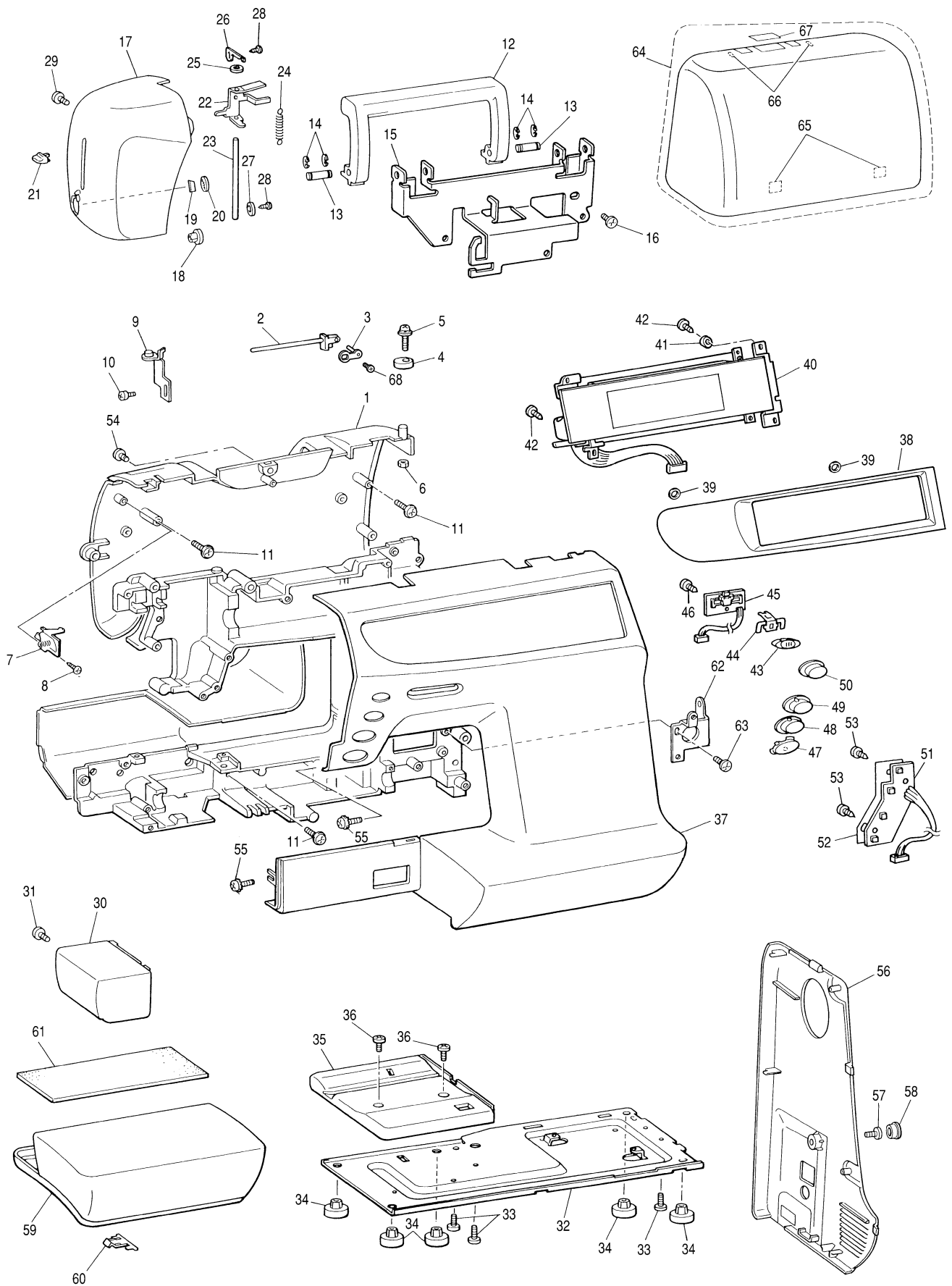
7.1999.

CONTENTS

(1) PRINCIPAL PARTS.....	2
(2) UPPER SHAFT AND NEEDLE BAR.....	4
(3) FEED MECHANISM	8
(4) ROTARY HOOK, THREAD GUIDE AND THREAD CUTTING	10
(5) LAMP, MAIN PC BOARD ASSEMBLY AND MOTOR UNIT	12
(6) OTHER PARTS	14

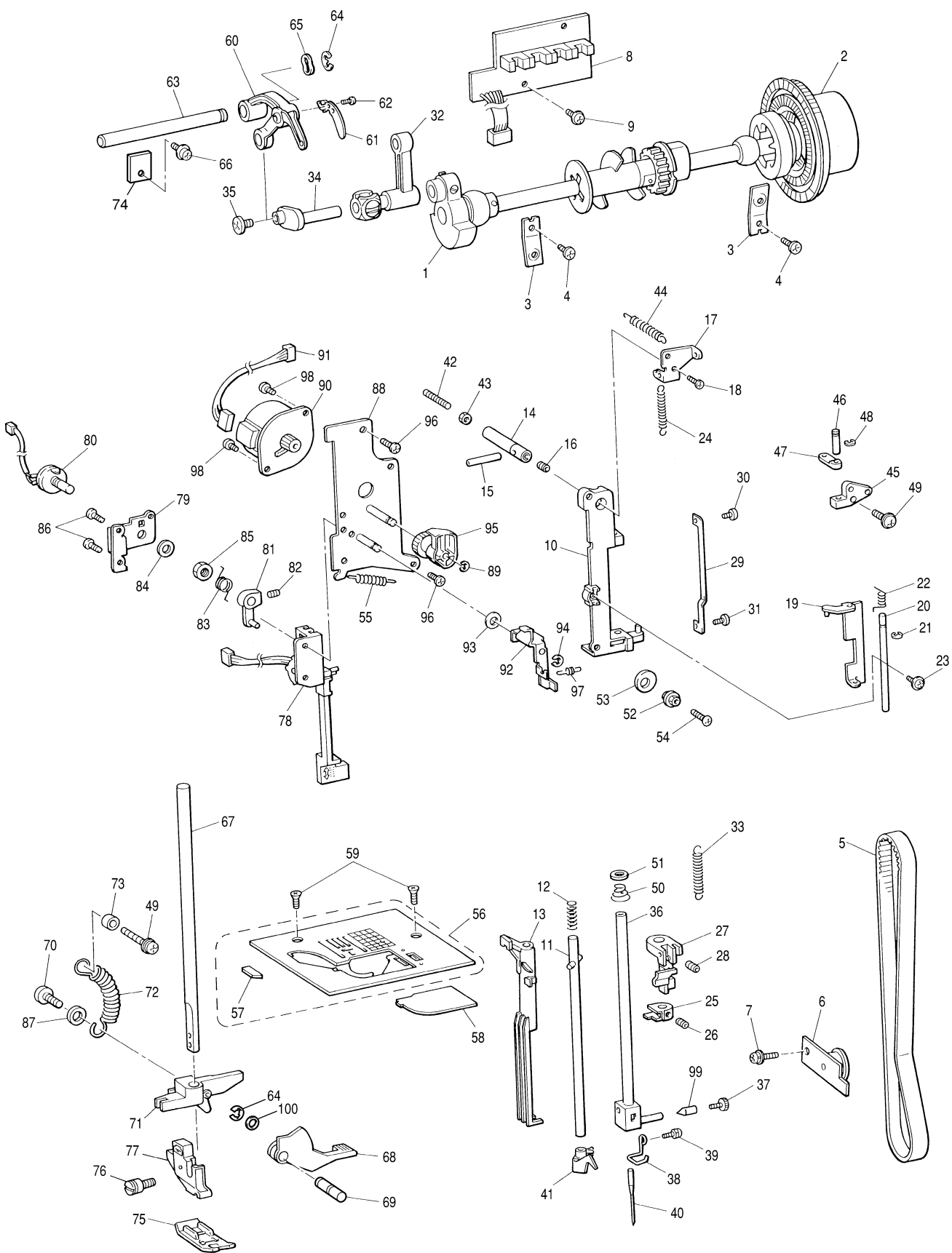
(1) PRINCIPAL PARTS

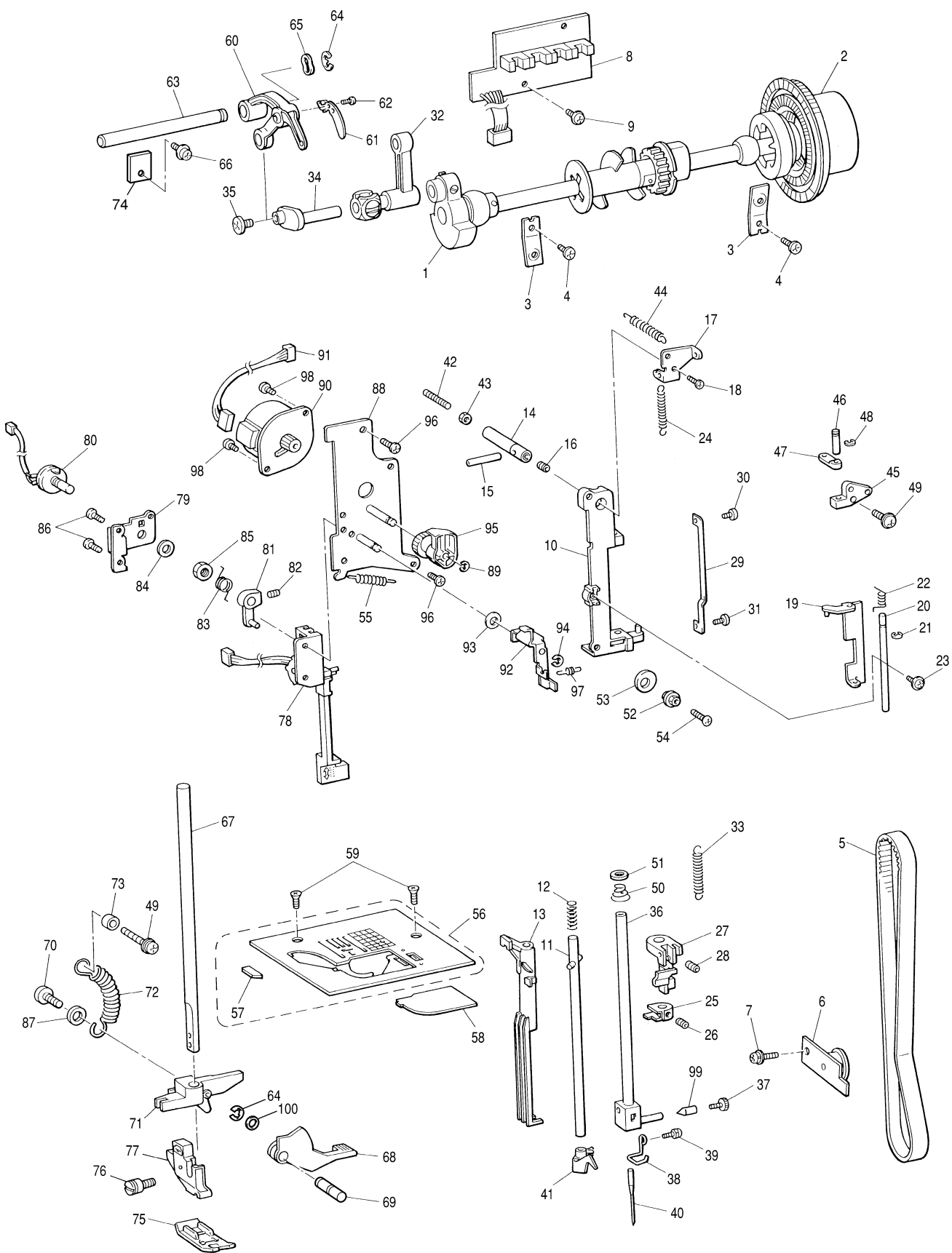
No.	CODE	NAME	REMARKS	No.	CODE	NAME	REMARKS
1	XA2880253	Rear cover for PC-6000	CHG	40	XA3592002	LCD module assembly for PC-6000	
	XA2880254	Rear cover for Super ACE I	CHG		XA3592003	LCD module assembly for Super ACE I	
2	X59053051	Spool pin		41	XA2220050	Circuit board presser	
3	XA7273051	Spool pin holder assembly	CHG	42	U06923002	Taptite, Bind B M3 × 10	
4	XA4324001	Bobbin presser		43	XA2903151	S key top	CHG
5	052301606	Screw, Pan M3 × 16		44	XA2904000	SV connecting block	
6	021300106	Nut, 1 M3		45	XA4339251	VR PC BOARD ASSY	CHG
7	XA8279001	Thread guide plate assembly	CHG	46	136681001	Taptite, Bind B M3 × 8	
8	138433001	Taptite, Pan B M3 × 6		47	XA4300001	SS button for PC-6000	
9	XA2883051	Thread guide holder			XA4321001	SS button for Super ACE I	
10	060300416	Screw, Bind M3 × 4		48	XA2908001	Reverse sewing button	
11	087411415	Taptite, Cup B M4 × 14		49	XA2909001	NP button	
12	XA2476051	Carrying handle		50	XA2910001	Thread cutting button	
13	XA2886051	Carrying handle shaft		51	XA4301001	SS board assembly	
14	048040346	Retaining ring, E4		52	XA2901100	Insulation sheet	
15	XA2887251	Handle holder		53	138433001	Taptite, Pan B M3 × 6	
16	X57908051	Taptite, Bind S M4 × 10		54	087411415	Taptite, Cup B M4 × 14	
17	XA2889152	Face plate	CHG	55	U12017001	Screw, Pan (T washer) M3 × 6	
18	X51895051	Face plate bush		56	XA4302152	Belt cover	CHG
19	X80321001	NT thread cutter assembly		57	060400616	Screw, Bind M4 × 6	
20	XA0199001	Retaining ring, CSTW-8		58	X50442001	Screw cover	
21	XA2943001	Needle threader lever knob		59	XA1816151	ACCESSORY TABLE ASSY	CHG
22	XA1801001	Needle threader lever		60	138644051	Accessory table notched spring	
23	X51469001	Needle threader lever shaft		61	X51434000	Sponge	
24	138260001	Spring, Extension		62	XA1820050	Set plate D	
25	XC0508000	Washer	CHG	63	X57908051	Taptite, Bind S M4 × 10	
26	XA6320000	Shaft presser plate	CHG	64	XA2482052	Case assembly	
27	513159001	Washer		65	125440050	Case felt	
28	138433001	Taptite, Pan B M3 × 6		66	XZ0016050	Case felt	CHG
29	060401616	Screw, Bind M4 × 16		67	XA3028051	Decoration plate	
30	XA1803151	Free arm cover	CHG	68	138433001	Taptite, Pan B M3 × 6	ADD
31	0A6400806	Screw, Pan (S/P Washer) M4 × 8					
32	XA6188151	Base plate	CHG				
33	X57908051	Taptite, Bind S M4 × 10					
34	XA1805051	Rubber cushion A	CHG				
35	XA1806051	Base cover					
36	060400616	Screw, Bind M4 × 6					
37	X81031001	Front cover for PC-6000					
	X81032001	Front cover for Super ACE I					
38	XA4299001	Panel decoration plate for PC-6000					
	XA4299002	Panel decoration plate for Super ACE I					
39	146200001	Retaining ring CS4					



(2) UPPER SHAFT AND NEEDLE BAR

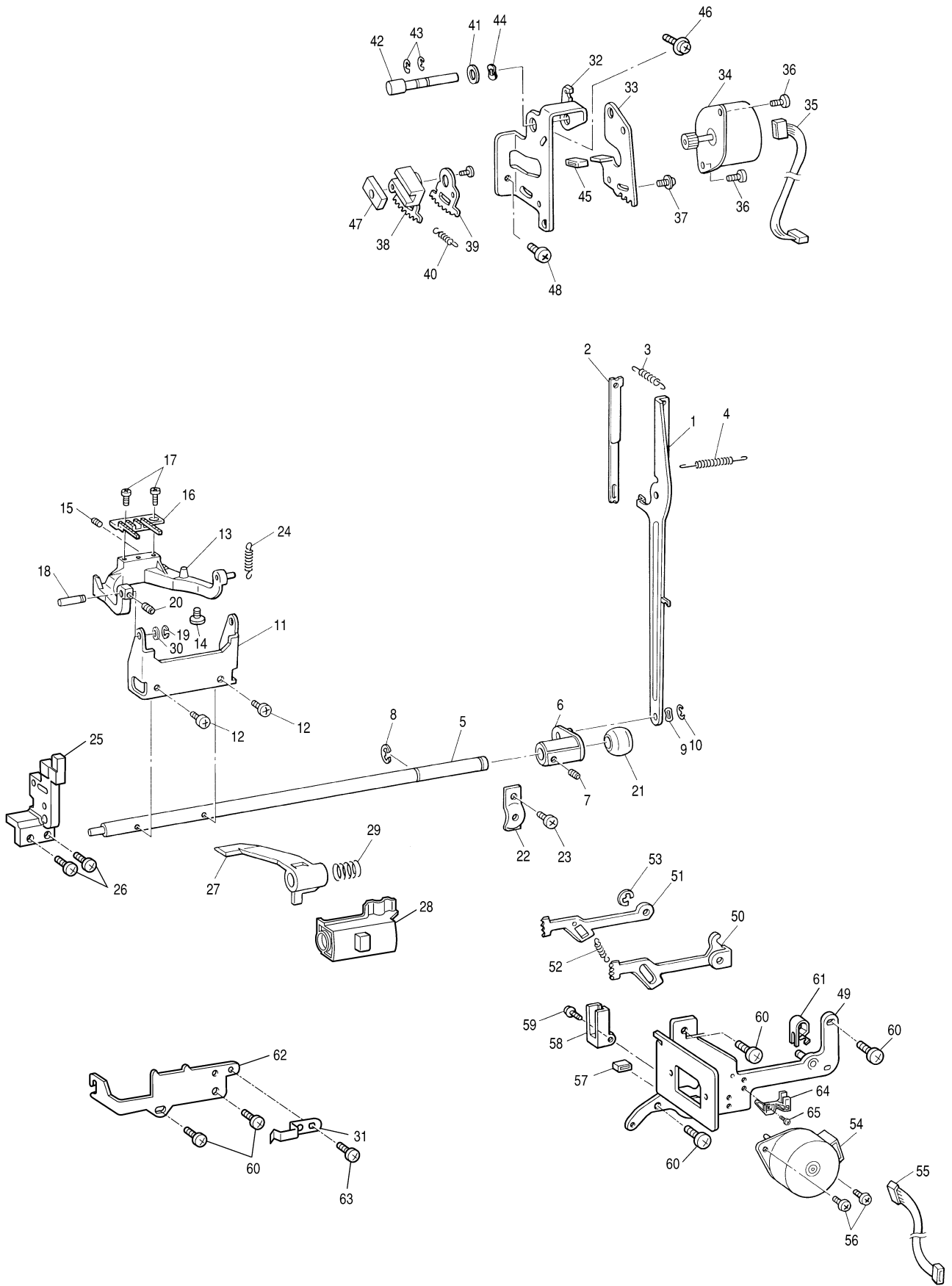
No.	CODE	NAME	REMARKS	No.	CODE	NAME	REMARKS
1	XA1824201	Upper shaft assembly	CHG	44	XA1856051	Spring, Extension	
2	X59879051	Pulley		45	XA1857051	Needle bar supporter stud holder	
3	X52478001	Presser plate A		46	XA1859051	Needle bar supporter stud	
4	X57908051	Taptite, Bind S M4 × 10		47	X56464001	Needle bar supporter arm	
5	X53125001	Timing belt 176 X L031		48	048025346	Retaining ring E2.5	
6	XA1830051	Tension pulley assembly		49	XA0649051	Taptite, Cup S M4 × 14	*1
7	138172001	Screw, Pan (S/P Washer) M4 × 10		50	X57822101	Spring, Compression	
8	XA4922251	ASSY, NP PCB 955	CHG	51	X58511100	Thrust washer	
9	533777001	Screw, Pan (S/P Washer) M4 × 8		52	X50559050	Nut	
10	XA2198051	Needle bar supporter assembly		53	XA1860150	Washer	CHG
11	XA1839051	Needle threader shaft assembly		54	062301006	Screw, Pan M3 × 10	
12	129839001	Spring, Compression		55	XA1861051	Spring, Extension	
13	XA1841001	Needle threader slider		56	XA2115101	Needle plate	CHG
14	XA1842051	Needle bar supporter stud A		57	X80321001	NT thread cutter assembly	
15	X56551050	Needle bar supporter stud C	CHG	58	X56828151	Needle plate cover	
16	014400432	Set screw, Socket (CP) M4 × 4		59	X50487001	Screw	
17	XA1843150	Set plate		60	XA1862051	Thread take-up lever assembly	
18	060300616	Screw, Bind M3 × 6		61	XA1864050	Thread take-up lever plate	
19	XA1844151	Needle release lever assembly	CHG	62	008020316	Screw, Truss M2 × 3	
20	XA1847051	Needle release lever shaft		63	XA1865051	Thread take-up lever stud	
21	048025346	Retaining ring, E2.5		64	048050346	Retaining ring E5	
22	XA1848051	Spring, Torsion		65	XA1866001	Washer, Wave spring	
23	0A2300806	Screw, Pan (S/P Washer) M3 × 8		66	X57913051	Taptite, Bind S M4 × 16	CHG
24	X57758051	Spring, Extension		67	XA2509051	Presser bar	
25	X55983150	Needle threader position setter	CHG	68	XA1868051	Presser foot lifter	
26	012400432	Set screw, Socket (FT) M4 × 4		69	XA5919050	Stud for presser foot lifter	CHG
27	X55984151	NEEDLE BAR HOOK STAND ASSY	CHG	70	X52760051	Set screw, Pan M6 × 12	
28	012400432	Set screw, Socket (FT) M4 × 4		71	XA1870151	Presser bar clamp assembly	CHG
29	X55990001	Needle bar guide		72	137736051	Spring	
30	060300416	Screw, Bind M3 × 4		73	XA6935001	Spacer	CHG
31	061300516	Screw, Flat M3 × 5		74	X50532001	Presser plate	CHG
32	X55991051	Needle bar crank rod assembly		75	137748101	Zigzag presser foot	
33	X58237001	Spring, Extension		76	XA4813051	Screw	
34	XA2389051	Needle bar crank		77	129855001	Presser holder assembly	
35	132051001	Screw, Flat SM3.57L		78	XA6899001	BH switch plate assembly	CHG
36	XA1849101	Needle bar assembly	CHG	79	XA2222001	PT holder	
37	XZ0002051	Screw	CHG	80	X58035001	Cloth selecting sensor	
38	XA1851000	Needle bar thread guide		81	XA6493001	PT lever	CHG
39	008020316	Screw, Truss M2 × 3		82	012300632	Set screw, Socket (FT) M3 × 6	
40	117914011	Needle HA × 130		83	XA1894051	Spring, Torsion	
41	XA1854001	Threader hook assembly		84	026060235	Washer, Plain 6	
42	014401632	Set screw, Socket (CP) M4 × 16		85	X52569001	Nut	
43	X56851051	Nut		86	060300816	Screw, Bind M3 × 8	
				87	U82249001	Washer	





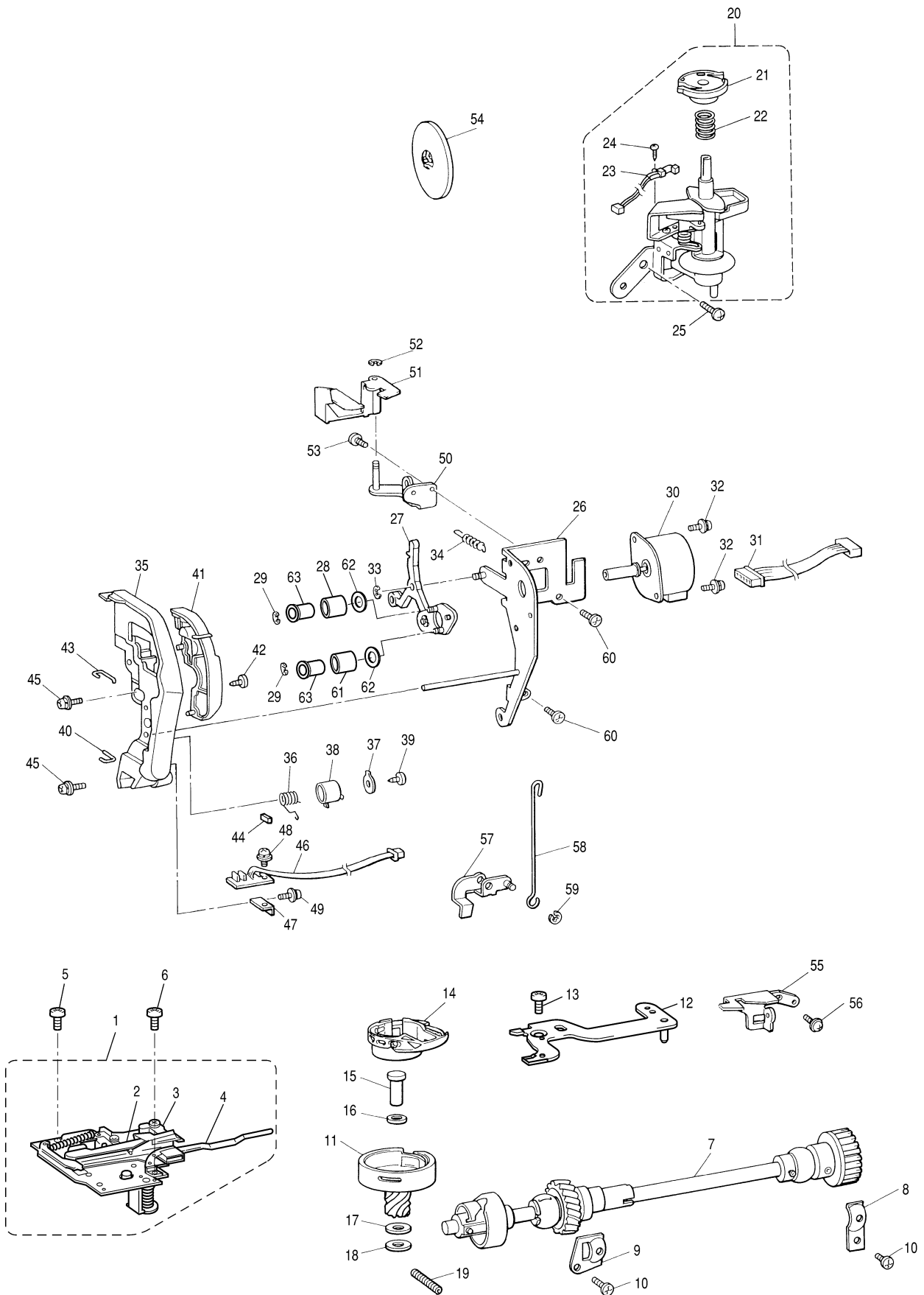
(3) FEED MECHANISM

No.	CODE	NAME	REMARKS	No.	CODE	NAME	REMARKS
1	XA1895051	Feed rod assembly		45	XA2189050	Rubber	
2	XA2185050	Feed rod supporting plate		46	XA0649051	Taptite, Cup S M4 × 14	
3	XA1898001	Spring, Extension F		47	XA1927051	Feed regulator slide block	
4	XA1899001	Spring, Extension S		48	X57908051	Taptite, Bind S M4 × 10	
5	XA1901250	Horizontal feed shaft	CHG	49	XA6224051	SPM holder assembly	CHG
6	XA1902051	Horizontal feed arm assembly		50	XA1932051	Side feed plate	
7	014500532	Set screw, Socket (CP) M5 × 5		51	XA1933051	Side feed supporting plate	
8	048060346	Retaining ring E6		52	XA2972001	Spring, Extension	
9	X59915051	Washer, Wave spring		53	048040346	Retaining ring E4	
10	048050346	Retaining ring E5		54	Z26306001	BP483523LM29SPM	
11	XA1905051	Horizontal feed plate		55	XA3610001	SPM lead wire assembly	
12	060400816	Screw, Bind M4 × 8		56	060300416	Screw, Bind M3 × 4	
13	XA1907051	Feed bar		57	XA2189050	Rubber	
14	X59916051	Screw	CHG	58	XA2192050	Side feed spacer	
15	012400432	Set screw, Socket (FT) M4 × 4		59	052300606	Screw, Pan (S/P Washer) M3 × 6	
16	XA1909001	Feed dog		60	X57908051	Taptite, Bind S M4 × 10	
17	060300616	Screw, Bind M3 × 6		61	XA1935051	Spring, Plate	
18	XA1910051	Feed bar shaft		62	XA5860051	Drop guide plate	ADD
19	048025346	Retaining ring E2.5		63	060300516	Screw, Bind M3 × 5	ADD
20	014400432	Set screw, Socket (CP) M4 × 4		64	XA5897050	Set plate	ADD
21	132420000	Horizontal feed shaft bushing		65	060300616	Screw, Bind M3 × 6	ADD
22	132421001	Bushing presser					
23	X57908051	Taptite, Bind S M4 × 10					
24	XA1911051	Spring, Extension					
25	XA5857050	Horizontal-feed shaft supporter	CHG				
26	052401406	Screw, Pan (S/P Washer) M4 × 14					
27	XA2526051	Drop plate					
28	XA5858051	Drop knob	CHG				
29	XA2199051	Spring, Compression					
30	137977000	Washer					
31	XA5859050	Spring plate	CHG				
32	XA1916050	FPM holder A					
33	XA1917050	FPM holder B					
34	Z26303001	BP483523LM28FPM					
35	XA2046001	FPM lead wire assembly					
36	XA2022001	Spring					
37	0A4400806	Screw, Pan (S/P Washer) M4 × 8					
38	XA1920151	Feed adjusting assembly					
39	XA1922151	F gear					
40	XA2972001	Spring, Extension					
41	X53330000	Washer	CHG				
42	XA1924050	Feed adjusting shaft					
43	048050346	Retaining ring E5					
44	X59915051	Washer, Wave spring					



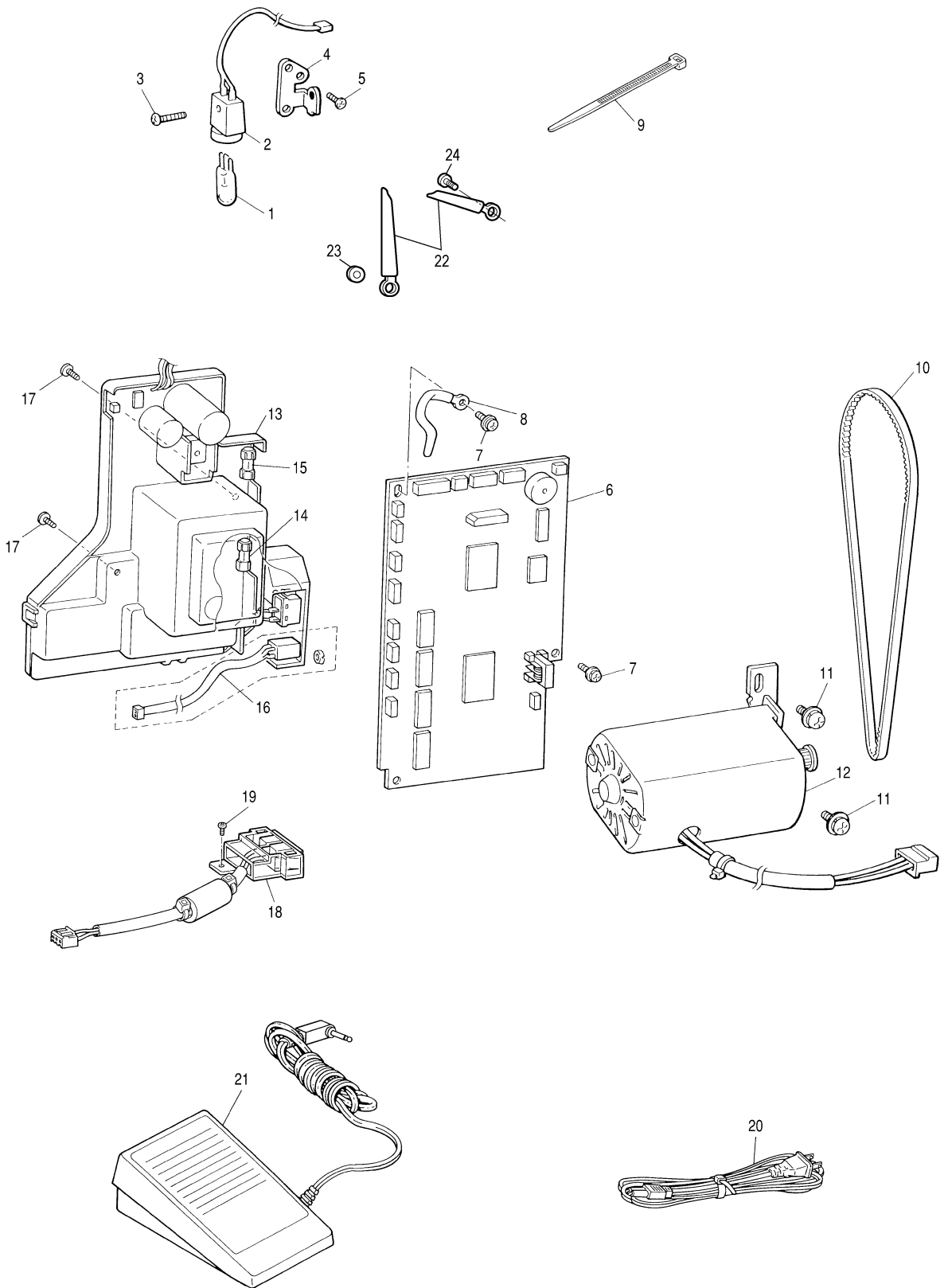
(4) ROTARY HOOK, THREAD GUIDE AND THREAD CUTTING

No.	CODE	NAME	REMARKS	No.	CODE	NAME	REMARKS
1	XA5861151	Thread cutting assembly	CHG	44	XA2867000	Rubber	
2	XA2848151	Movable blade assembly		45	052300606	Screw, Pan (S/P Washer) M3 × 6	
3	X56133001	Fixed blade		46	XA2027151	ASSY, THREAD SENSOR PCB	CHG
4	XA5865051	Lower-thread guide arm assembly	CHG	47	XA2031051	Sensor board holder	
5	060400816	Screw, Bind M4 × 8		48	052300606	Screw, Pan (S/P Washer) M3 × 6	
6	060300516	Screw, Bind M3 × 5		49	136681001	Taptite, Screw B M3 × 8	
7	XA1968101	Lower shaft assembly		50	XA2933051	Thread guard holder	
8	132421001	Bushing presser R		51	XA2035050	Thread guard	
9	XA1975051	Bushing presser L		52	048030346	Retaining ring E3	
10	X57908051	Taptite, Bind S M4 × 10		53	060300616	Screw, Bind M3 × 6	
11	XA2855101	Outer rotary hook assembly	CHG	54	X55260002	Spool cap (Medium)	
12	XA5869001	Inner rotary hook bracket assembly	CHG	55	XA2935051	Thread guide plate	
13	060400816	Screw, Bind M4 × 8		56	060300616	Screw, Bind M3 × 6	
14	X57177401	Inner rotary hook assembly	CHG	57	XA2194051	THREAD RELEASE PLATE ASSY	CHG
15	XA0360151	OUTER ROTERY HOOK SHAFT	CHG	58	XA2197051	Tension release wire	
16	XA2190000	Washer U		59	048030346	Retaining ring E3	
17	XA2190000	Washer U	CHG	60	X57908051	Taptite, Bind S M4 × 10	
18	XA0362001	Washer		61	XA5533000	AT roller	ADD
19	014401632	Set screw, Socket (CP) M4 × 16		62	137999000	Washer	ADD
20	XA4311101	Bobbin winder assembly	CHG	63	XA5534050	AT ROLLER WHEEL	CHG
21	XA2951001	Bobbin base assembly		64	XC3183051	FELT	ADD
22	XA2696051	Spring, Compression					
23	XA2003001	Bobbin winder switch assembly					
24	062260516	Screw, Pan M2.6 × 5					
25	X57908051	Taptite, Bind S M4 × 10					
26	XA2006151	Thread guard plate assembly					
27	XA3066051	Roller supporting arm assembly					
28	XA5532000	Metallic AT roller	CHG				
29	048025346	Retaining ring E2.5					
30	Z26300001	BP483523LM27ATP					
31	XA2929001	ATPM lead wire assembly					
32	060300816	Screw, Bind M3 × 8					
33	048030346	Retaining ring E3					
34	XA2019051	Spring, Extension					
35	XA2931002	Thread guard cover					
36	XA2022051	SPRING	CHG				
37	XA2023051	Washer					
38	XA2024050	Thread cutting shutter					
39	136681001	Taptite, Bind B M3 × 8					
40	XA2025050	Thread guide wire					
41	XA2953051	Thread guard					
42	085311415	Taptite, Bind B M3 × 14					
43	XA2223050	Thread guard wire					



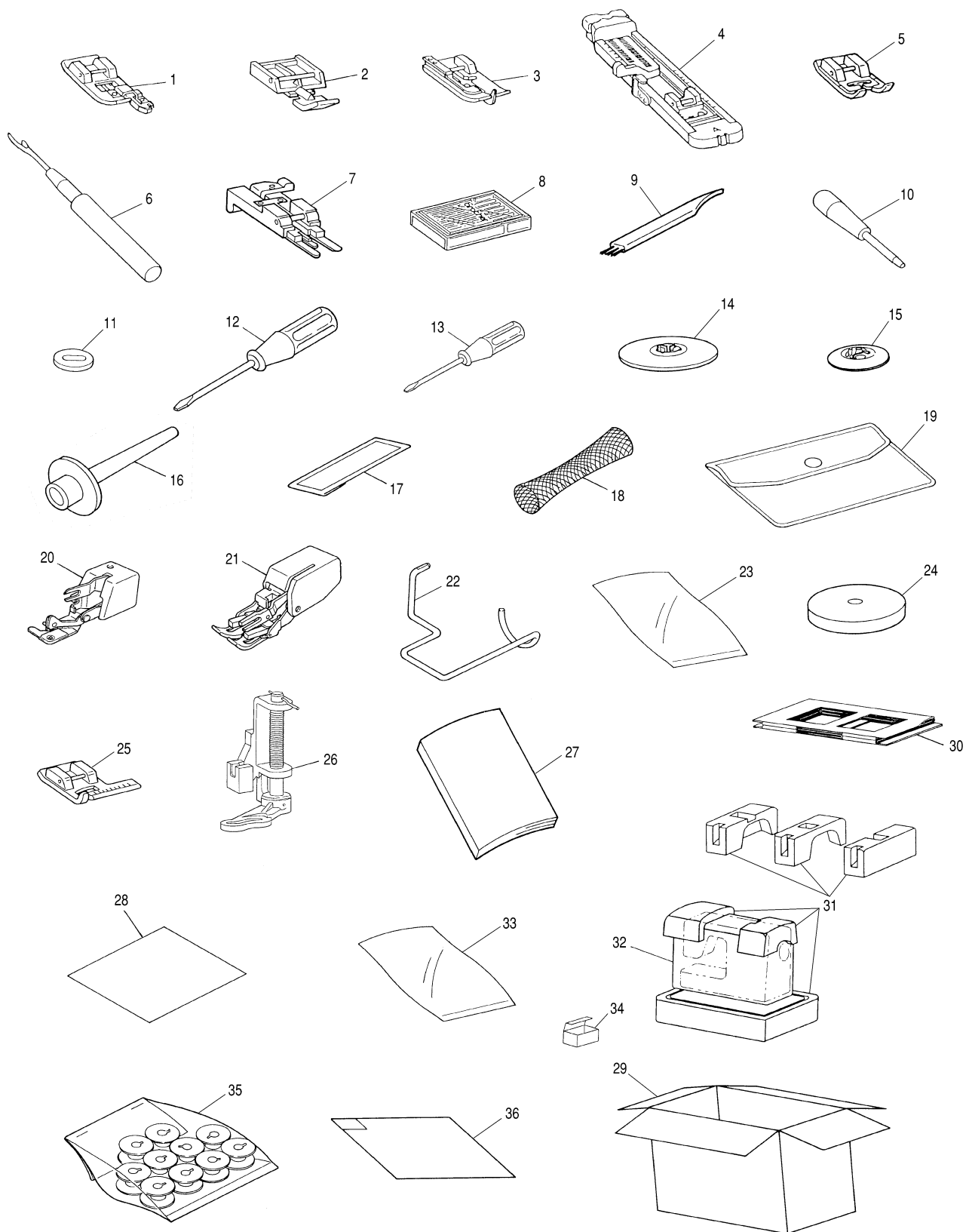
(5) LAMP, MAIN PC BOARD ASSEMBLY AND MOTOR UNIT

No.	CODE	NAME	REMARKS
1	XA2037001	WB sew-light bulb	
2	XA6905001	WBL socket assembly	CHG
3	002261205	Screw, Pan M2.6 × 12	
4	XA2040051	Lamp holder	
5	060300416	Screw, Bind M3 × 4	
6	XA4306001	Main PC board assembly	
7	052300606	Screw, Pan (S/P Washer) M3 × 6	
8	137947001	Coating clip CS-1	
9	124240001	Band	
10	XA1826001	Timing belt B173 XXL6.4	
11	537235001	Screw, Pan (S/P Washer) M5 × 12	
12	XA3332251	MOTOR : MM-512-21	CHG
	XA3356251	MOTOR : MM-512-51	CHG
13	X80938101	Power supply unit assembly for 120V	CHG
	X80939101	Power supply unit assembly for 230V	CHG
14	X55397001	G fuse 3.15AA for 120V	
	XA0069001	G fuse 2AT-S for 230V	
15	U32809001	Fuse ULTSC 3.15A for 120V	
	X56549001	G fuse 5AB for 230V	
16	X81043001	Pin jack assembly for 120V	
	X81046051	PIN JACK ASSY FOR 230V	CHG
17	0A5402505	Screw, Pan (S/P Washer) M4 × 25	CHG
18	XA4326001	Inlet assembly for 120V	
	XA3229001	Inlet assembly for 230V	
19	060400616	Screw, Bind M4 × 6	
20	XA2815151	POWER SUPPLY CORD FOR U.S.A., CANADA	CHG
	XA0070151	POWER SUPPLY CORD FOR EUROPE	CHG
21	XC6651151	FOOT CONTROLLER:FC-313-81-LF	CHG
22	T31049001	Coating clip CS-6	ADD
23	026040236	Washer 4	ADD
24	060400616	Screw, Bind M4 × 6	ADD
25	XA2401050	WASHER	ADD
26	225833051	BUFFER RUBBER	ADD
27	236149001	PULLEY FLANGE	ADD



(6) OTHER PARTS

No.	CODE	NAME	REMARKS	No.	CODE	NAME	REMARKS
1	XC3098051	OVERCASTING STITCH FOOT ASSY	CHG	36	XA4595051	PATTERN SHEET	CHG
2	X59370051	Zipper foot "I"		37	X60678051	BAG 700X630H	ADD
3	X56409051	BLIND STITCH FOOT ASSY	CHG				
4	X57789151	BH PRESSER FOOT	CHG				
5	X53840301	Monogramming foot "N"	CHG				
6	X54243001	Seam ripper					
7	130489001	Button fitting foot "M"					
8	X58358001	Needle set					
9	XA4527001	Cleaning brush					
10	135793001	Eyelet punch					
11	XA2005051	NEEDLE PLATE FIXING METAL					
12	X55467051	Screwdriver (Large)					
13	X55468051	Screwdriver (Small)					
14	130012003	Spool cap (Large)					
15	130013003	Spool cap (Small)					
16	XA3336051	Extra spool pin					
17	X59296151	TWIN NEEDLE (1PC)	CHG				
18	XA5523050	NET	CHG				
19	128369003	Accessory bag					
20	X81028001	Side cutter					
21	X81065001	WALKING FOOT	ACC				
22	XA3412001	Finger guard					
23	XA0188000	Bag, 240 × 355 H					
24	X57045001	Spool felt					
25	X51804001	Stitch guide foot "P"					
26	XA4322001	Quilting foot					
27	191965011	Instruction manual (English)					
	191965012	Instruction manual (French)					
	191965013	Instruction manual (Dutch)					
	191965014	Instruction manual (German)					
	191965015	Instruction manual (Spanish)					
	191965016	Instruction manual (Italian)					
28	123325001	Label					
29	X61088001	Carton for PC-6000					
	X61089001	Carton for Europe					
	X61089002	Carton for Europe (recycled mark, green point)					
30	X61090000	Pad					
31	X60986200	960 SF assembly	CHG				
32	X60439151	BAG 630X630T	CHG				
33	160670000	Bag, 150 × 350					
34	X61308000	Carton, Accessory	CHG				
35	XA3811051	BOBBIN (10 SET), UPC	ACC				
	XA3812051	BOBBIN (10 SET), EAN	ACC				



PC6000
SUPER ACE I
H7060089
Printed in Japan