

**PARTS CATALOGUE FOR
COMPUTERIZED SEWING MACHINE**

NV1200

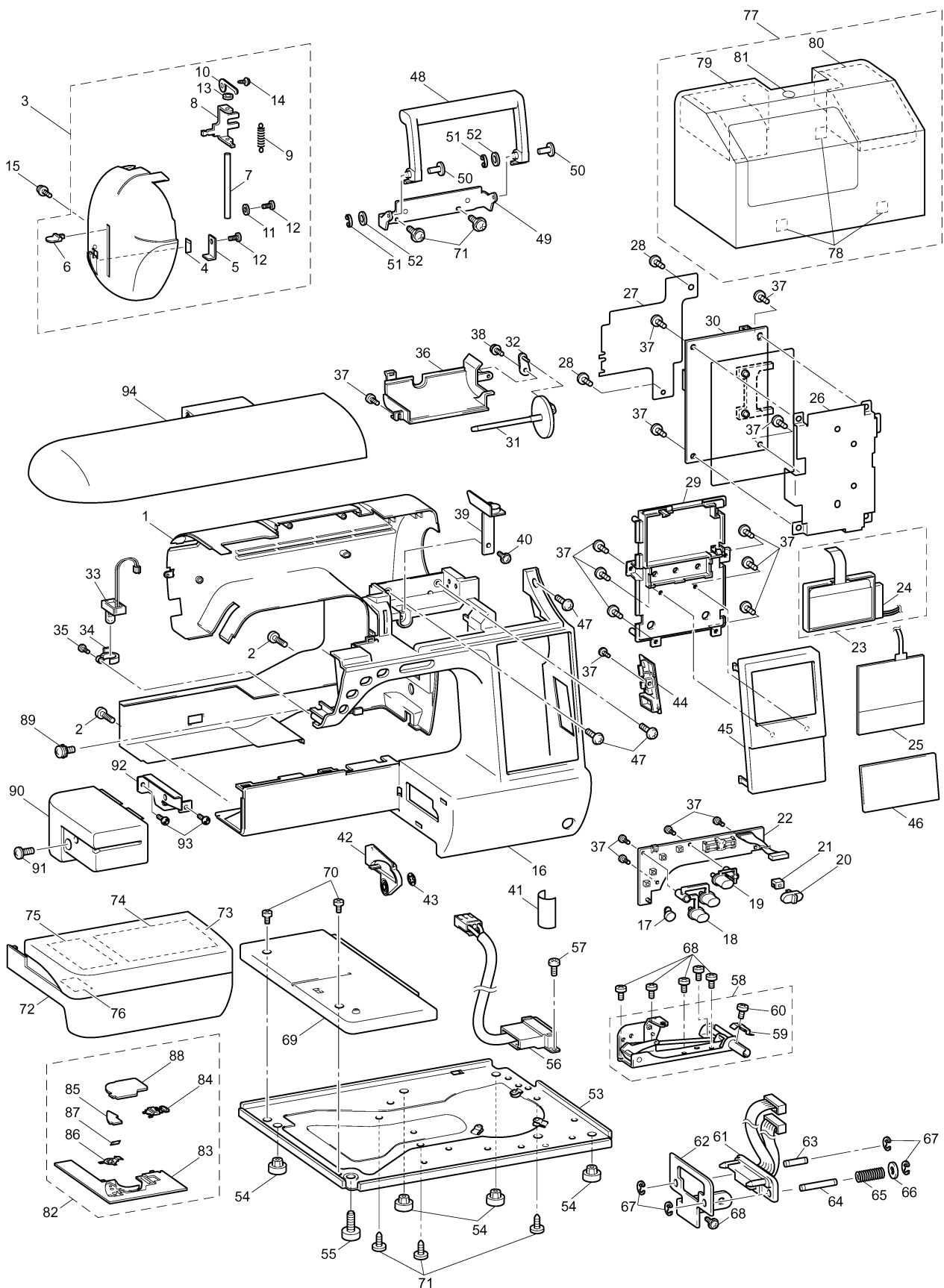
01.2006.

CONTENTS

(1) PRINCIPAL PARTS.....	2
(2) UPPER SHAFT / NEEDLE BAR, PRESSER MECHANISM.....	6
(3) FEED, ROTARY HOOK / SIDE FEED / THREAD CUTTING MECHANISM.....	8
(4) ROTARY HOOK DRIVE / BOBBIN WINDER MECHANISM.....	10
(5) THREAD GUIDE MECHANISM.....	12
(6) ELECTRONIC PARTS / MOTOR UNIT.....	14
(7) EMBROIDERY UNIT	16
(8) ATTACHMENTS / PRINTED MATTER / PACKING MATERIALS	18
NEEDLE-PRESSER MODULE.....	20
FEED MODULE.....	24
THREAD CUTTER MODULE.....	26

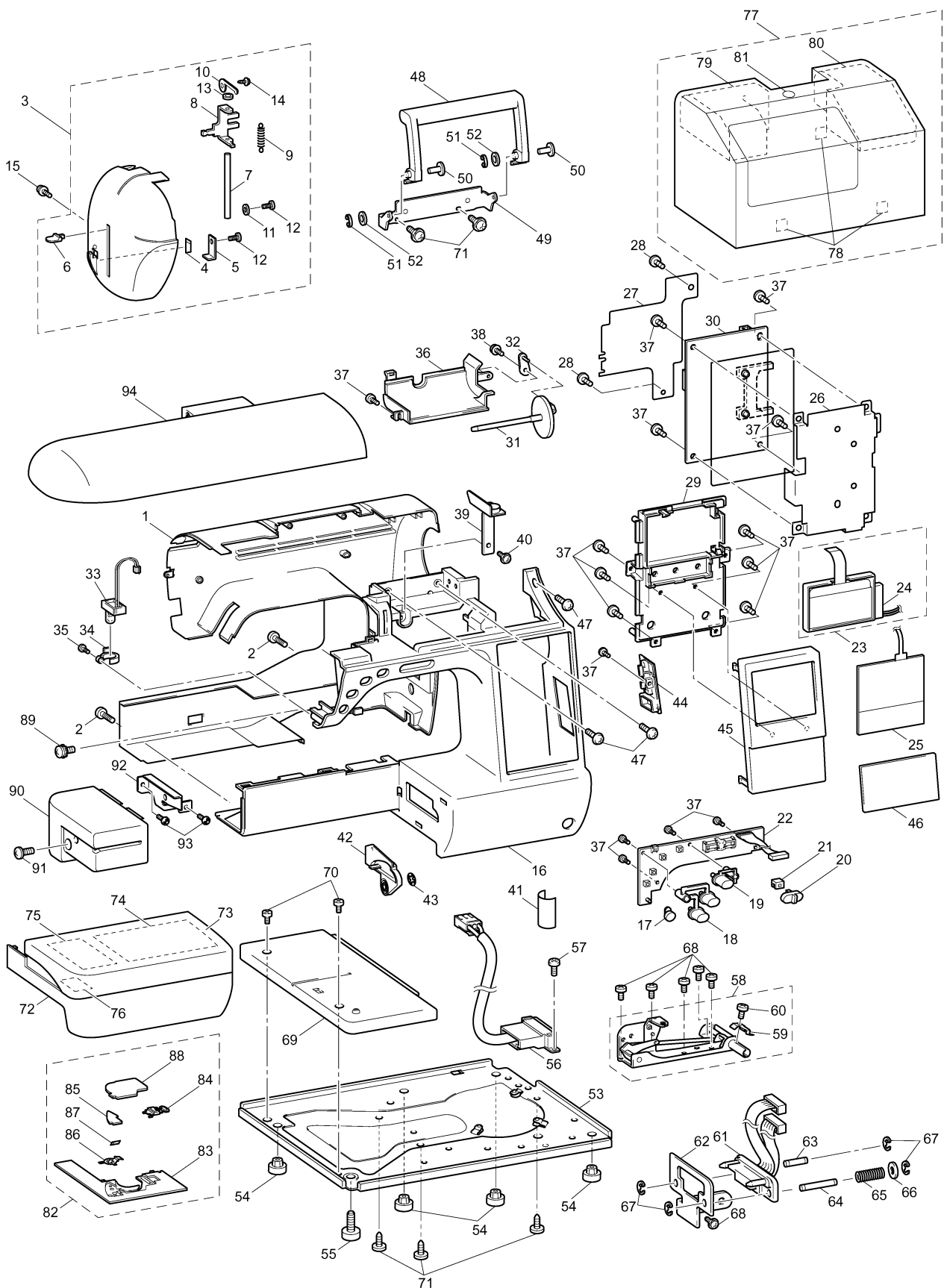
(1) PRINCIPAL PARTS

No.	CODE	NAME	REMARKS	No.	CODE	NAME	REMARKS
1	XD0321151	REAR COVER ASSY		45	XD0347151	INDICATION PLATE	
2	060400816	SCREW, BIND M4 × 8		46	XD0349154	PANEL PLATE	
3	XD0324051	FACE PLATE		47	085411416	TAPTITE, BIND B M4 × 14	
4	X80321001	NT LOWER THREAD CUTTER		48	XC2348051	HANDLE	
5	XC9682051	FACE PLATE CUTTER HOLDER		49	XC9696051	HANDLE HOLDER	
6	XC9604051	NEEDLE THREAD LEVER KNOB		50	XC2350051	HANDLE SHAFT	
7	XA5825051	NEEDLE THREAD LEVER SHAFT		51	048040346	RETAINING RING, E4	
8	XC9683051	NEEDLE THREAD LEVER		52	137713050	POLYESTER SLIDER	
9	138260051	THREAD THROUGH LEVER SPRING		53	XC6818151	BASE PLATE	
10	XZ0406050	SHAFT PRESSER PLATE		54	XA1805051	BASE RUBBER A	
11	XA5525051	WASHER,PLAIN		55	XA4687051	ADJUSTING SCREW ASSY	
12	138433051	TAPTITE,PAN B M3 × 6		56	XC4417051	INLET ASSY:F1D-EU	
13	XC0508050	RUBBER WASHER		57	060400616	SCREW BIND M4X6	
14	X59629051	TAPTITE,BIND B M3 × 10		58	XC4447151	KNEE LIFTER ASSEMBLY	
15	XC7568051	SCREW PAN (S/P WASHER) M4 × 14		59	XA6215251	SPRING,PLATE	
16	XD1253051	FRONT COVER		60	060260316	SCREW BIND M2.6X3	
17	XC9600052	SS-BUTTON		61	XD0351051	LEAD WIRE ASSY MAIN BODY FCOMB	
18	XC9601051	REVERSE BUTTON		62	XD0890051	CONNECTOR HOLDER F-EU	
19	XC9602051	THREAD CUT BUTTON		63	XD0353051	ES PIN F-A	
20	XC9603051	SV KEYTOP		64	XD0945051	ES PIN F-B	
21	XC2316150	SV JOINT PLATE		65	XD0967051	SPRING,COMPRESSION	
22	XC2317151	PCB ASSY:SS-VR F2		66	XC2514021	FEED BAR SPACER	
23	XD0830051	LCD SUPPLY ASSY		67	048020346	RETAINING RING E2	
24	XD0334051	BACK LIGHT PCB ASSY		68	062400612	SCREW PAN M4X6	
25	XD0338056	ASSY:TOUCH PANEL		69	XC9589051	BASE PLATE COVER	
26	XD0340051	BOARD PLATE		70	060300516	SCREW, BIND M3 × 5	
27	XD0331051	BOARD PLATE UPPER		71	X57908051	TAPTITE,BIND S M4X10	
28	060300516	SCREW BIND M3X5		72	XC9606251	ACCESSORY TABLE	
29	XD0341051	MAIN PCB HOLDER		73	XD0829051	ACC TABLE COVER SUPPLY ASSY	
30	XD1923051	MAIN PCB SUPPLY ASSY-EU		74	XD0528050	SPONGE A	
31	XA1786053	SPOOL PIN		75	XD0609050	SPONGE B	
32	XC9690051	SPOOL PIN HOLDER ASSY		76	XD0610151	Q FOOT STICKER	
33	XD0343051	PCB UNIT:LED LAMP-FR		77	XC9701052	CASE ASSEMBLY	
34	XC7081051	LAMP HOLDER SUPPORTER		78	125440050	CASE FELT	
35	X57372051	TAPTITE,PAN B M2.6 × 8		79	XC9702050	HEAD SUPPORT SF-L	
36	XC9591051	THREAD BOBBIN COVER		80	XC9703050	HEAD SUPPORT SF-R	
37	136681051	TAPTITE, BIND B M3 × 8		81	XZ0161051	BLIND PLATE	
38	087311015	TAPTITE, CUP B M3 × 10		82	XD0354051	NEEDLE PLATE B ASSY	
39	XC9693451	BOBBIN WINDER GUIDE ASSY		83	XD0355051	NEEDLE PLATE B	
40	XA8390051	SCREW		84	XC2366152	SLIDE BUTTON	
41	XZ0143050	SSVR INSULATION SHEET		85	XD1666052	CUTTER COVER	
42	XD0345251	CONNECT COVER		86	XD1461051	NEEDLE PLATE COVER SPRING	
43	138384051	RETAINING RING,CS5		87	X80321001	NT LOWER THREAD CUTTER	
44	XD0893051	CARD COVER		88	XD1645051	NEEDLE PLATE COVER SUPPLY ASSY	



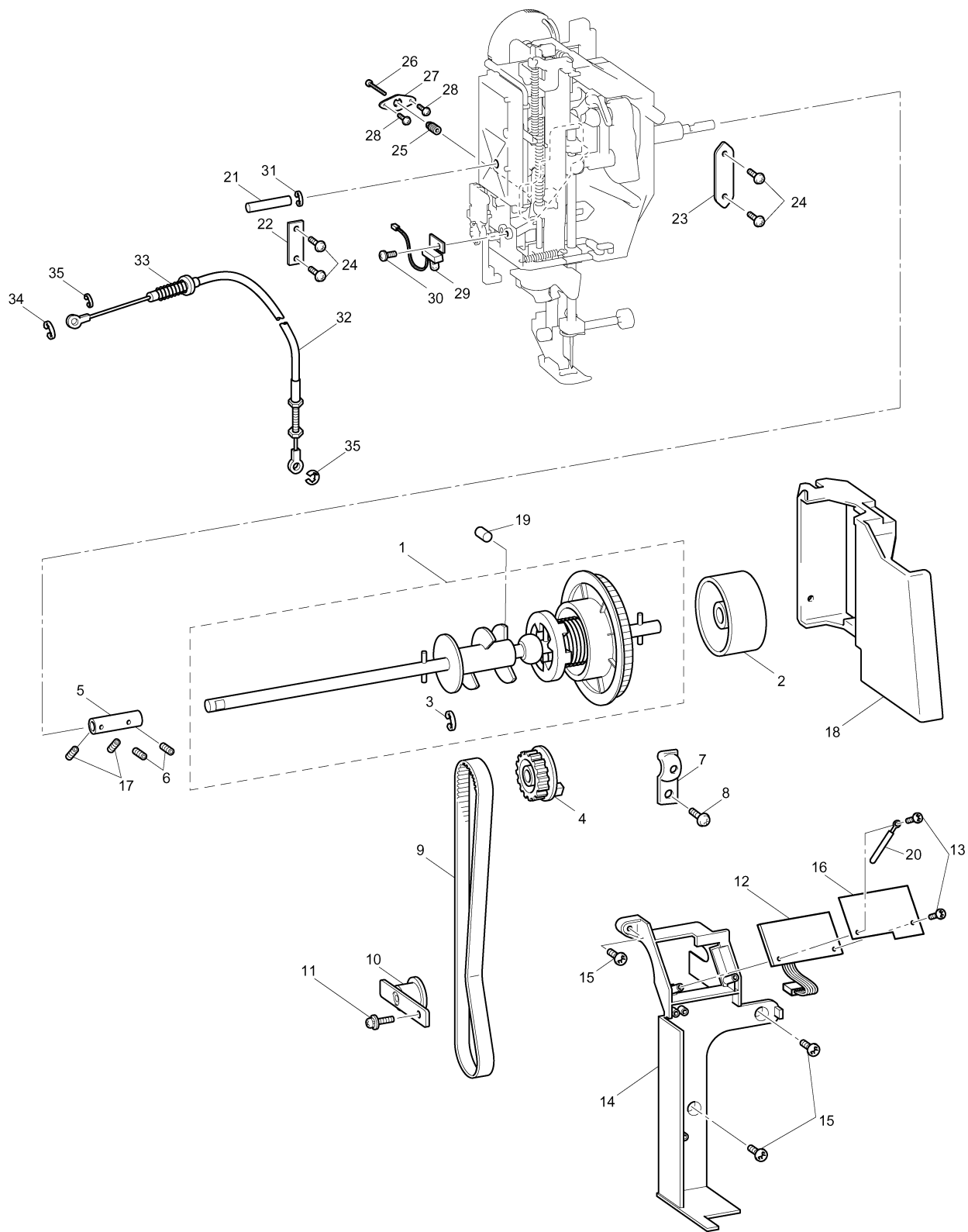
(1) PRINCIPAL PARTS

No.	CODE	NAME	REMARKS
89	XC4433051	SCREW,PAN(T WASHER)M3 × 6	
90	XC9588251	FREE ARM COVER	
91	XC7566051	SCREW, PAN(S/P WASHER)M4X8	
92	XC9746151	FREE ARM PLATE	
93	060400616	SCREW BIND M4X6	
94	XD0356052	TOP COVER	



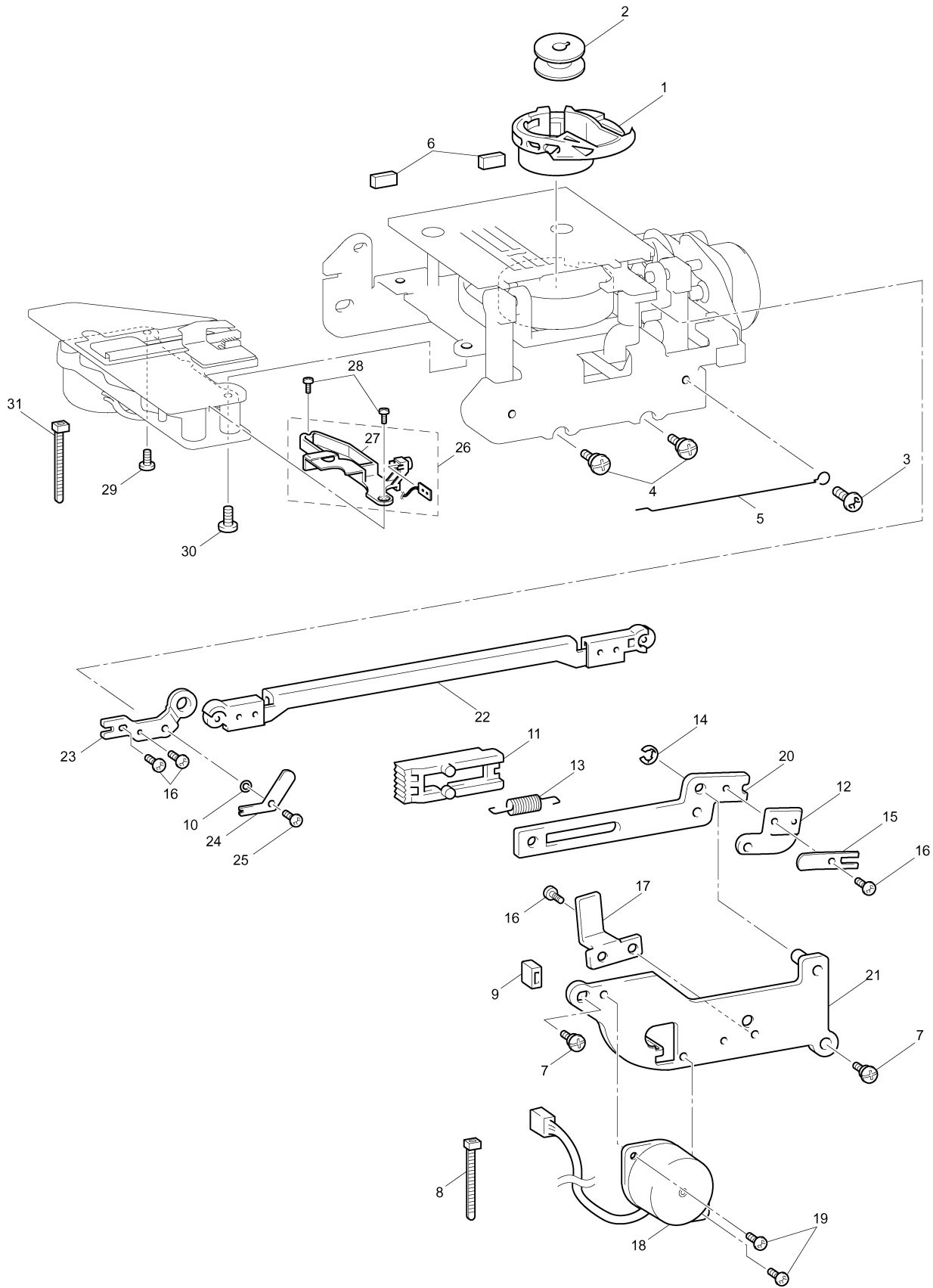
(2) UPPER SHAFT / NEEDLE BAR, PRESSER MECHANISM

No.	CODE	NAME	REMARKS
UPPER SHAFT MECHANISM			
1	XC3246151	UPPER SHAFT ASSY	
2	XC2375051	PULLEY	
3	048060346	RETAINING RING, E6	
4	XC2380050	UPPER SHAFT PULLEY	
5	XC2383051	FIXED JOINT	
6	012500532	SET SCREW, SOCKET (FT) M5 × 5	
7	132421051	BUSHING PRESSER	
8	X57908051	TAPTITE,BIND S M4 × 10	
9	XC2384051	TIMING BELT 420-5GT-6	
10	XC2385051	TENSION PULLEY ASSEMBLY	
11	138172051	SCREW,PAN(S/P WASHER)M4 × 10	
12	XD0362051	NP PCB ASSY FCOM	
13	X59629051	TAPTITE, BIND B M3 × 10	
14	XC2390251	PCB HOLDER	
15	060400816	SCREW, BIND M4 × 8	
16	XC3028051	INSULATION SHEET	
17	014400432	SET SCREW, SOCKET (CP) M4 × 4	
18	XD0587051	BELT GUARD	
19	XC3183051	FELT	
20	137947001	CLIP	
NEEDLE BAR, PRESSER MECHANISM			
21	XC2503051	SHAFT	
22	XC2297051	PRESSER PLATE A	
23	XC2298051	PRESSER PLATE B	
24	X57908051	TAPTITE,BIND S M4 × 10	
25	XC2504050	ADJUSTING SCREW	
26	XZ0380051	SCREW, PAN (WASHER) M3 × 18	
27	XC2505050	PLATE SPRING	
28	060400516	SCREW, BIND M4 × 5	
29	XD0365051	PCB UNIT:LED LAMP-FL	
30	XZ0149051	TAPTITE,PAN B 4 × 12	
31	048050346	RETAINING RING, E5	
32	XC4473001	WIRE ASSY	
33	XA6198001	SPRING,COMPRESSION	
34	048040346	RETAINING RING E4	
35	048030346	RETAINING RING E3	



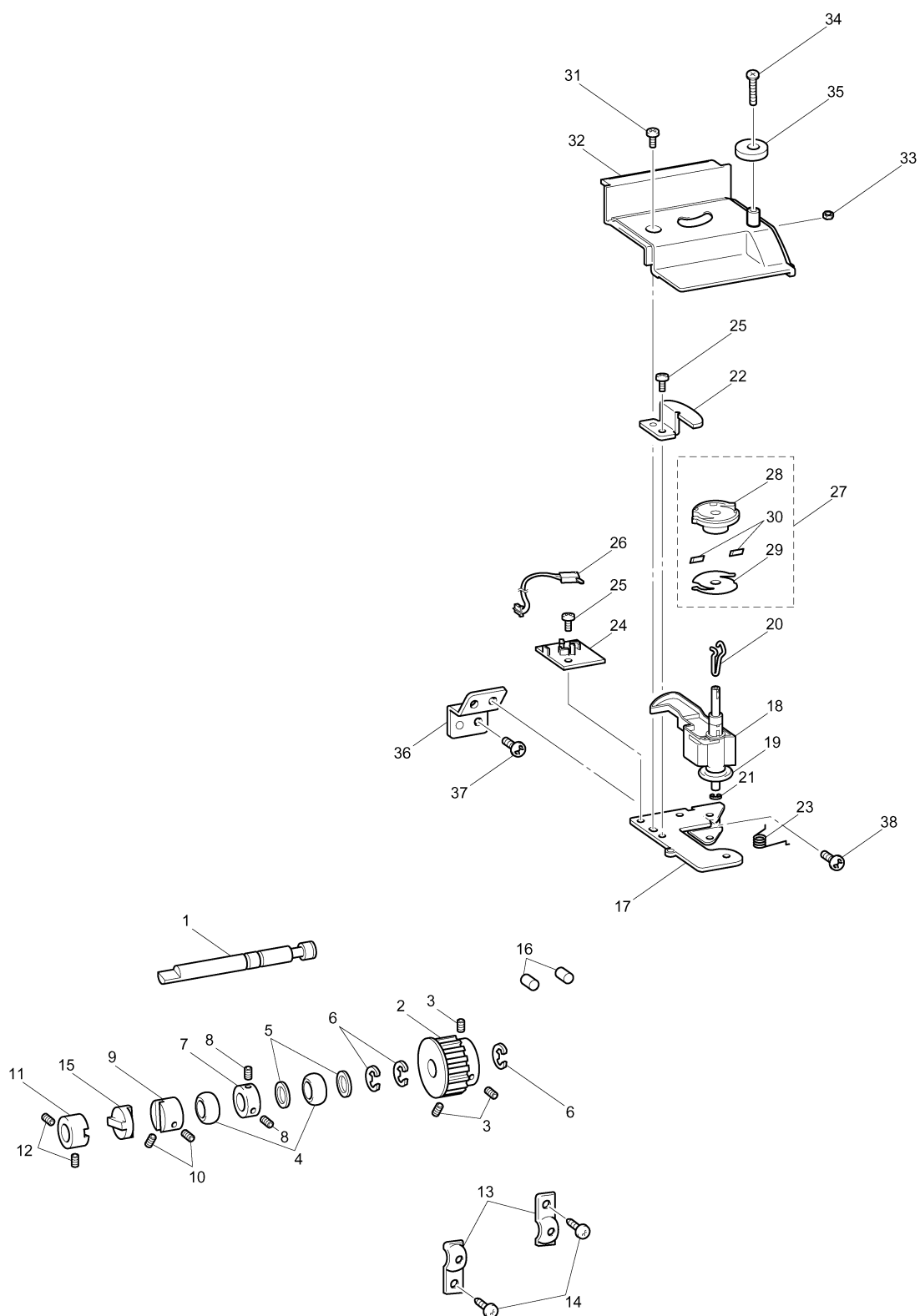
(3) FEED, ROTARY HOOK / SIDE FEED / THREAD CUTTING MECHANISM

No.	CODE	NAME	REMARKS
FEED, ROTARY HOOK MECHANISM			
1	XC3153151	INNER ROTARY HOOK ASSY	
2	X52800150	BOBBIN	
3	060300416	SCREW, BIND M3 × 4	
4	XC3096051	SCREW M4	
5	XZ0190051	LEADLINE GUIDE	
6	XZ0160051	SHEET	
SIDE FEED MECHANISM			
7	X57908051	TAPTITE,BIND S M4 × 10	
8	X53169050	BAND	
9	XA2189050	RUBBER	
10	XA2401050	WASHER	
11	XA9506051	SIDE FEED GEAR	
12	XA9507050	SIDE FEED WASHER	
13	XA9508051	SPRING,EXTENSION	
14	048030346	RETAINING RING, E3	
15	XA9514051	SPRING,PLATE A	
16	060300616	SCREW, BIND M3 × 6	
17	XC0411051	S STOPPER	
18	XC5340021	MOTOR, PULSE:S SMJ35-4840-E	
19	060300416	SCREW, BIND M3 × 4	
20	XC6258051	SIDE FEED PLATE	
21	XC8418051	SPM HOLDER ASSY	
22	XC6259051	SIDE FEED ARM ASSY	
23	XC6263051	SIDE FEED ADJUST PLATE	
24	XC6264051	SPRING,PLATE B	
25	060300516	SCREW, BIND M3 × 5	
THREAD CUTTING MECHANISM			
26	XC8329151	PHOTO TRANSISTOR ASSY	
27	XC9199051	SENSOR HOLDER	
28	0A4300605	SCREW, PAN (S/P WASHER) M3 x 6	
29	060400516	SCREW BIND M4X5	
30	060300516	SCREW BIND M3X5	
31	X53169050	BAND	



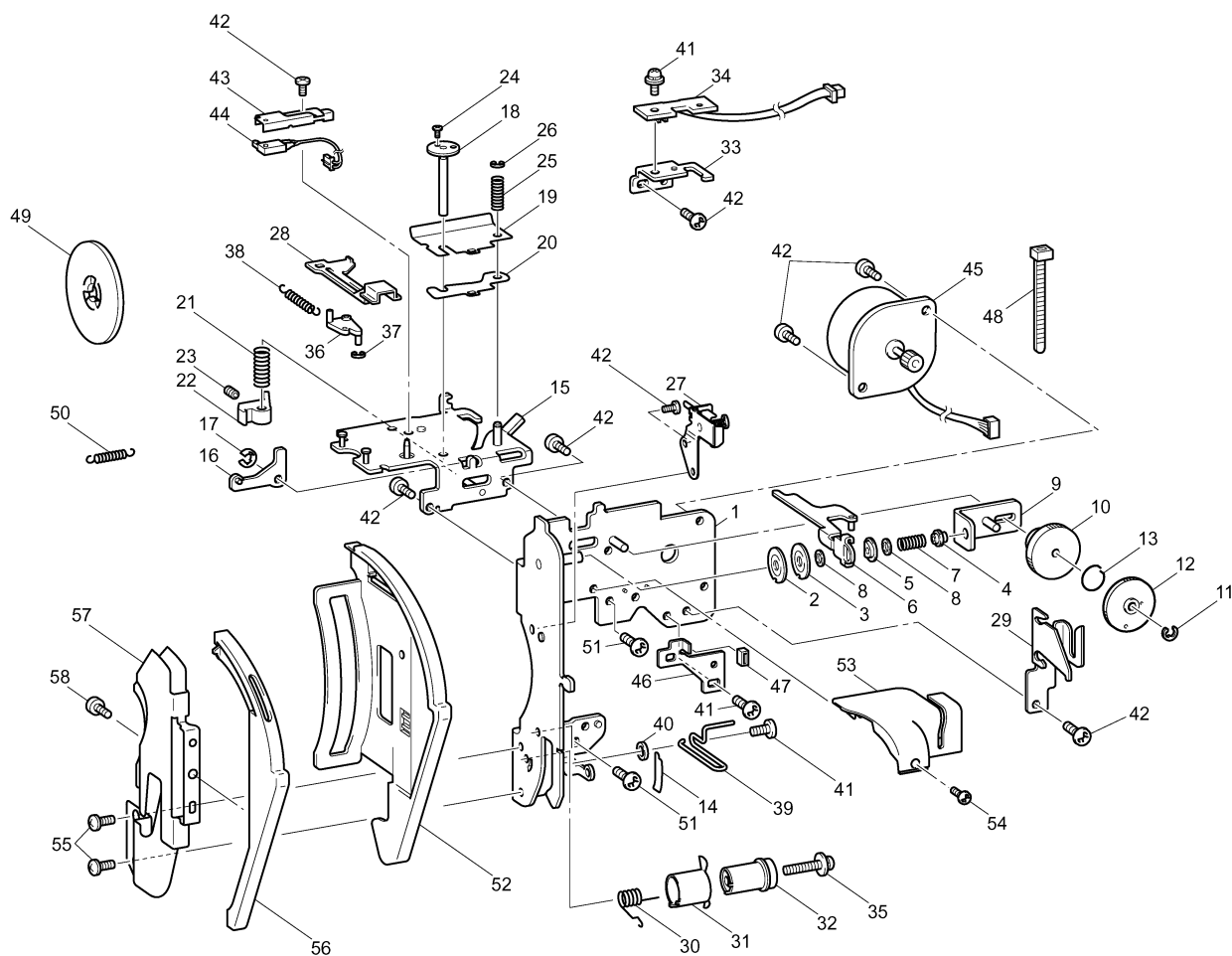
(4) ROTARY HOOK DRIVE / BOBBIN WINDER MECHANISM

No.	CODE	NAME	REMARKS
ROTARY HOOK DRIVE MECHANISM			
1	XC2600050	LOWER SHAFT A	
2	XC2601051	TIMING PULLEY D	
3	014500532	SET SCREW, SOCKET (CP) M5 × 5	
4	X52664050	LOWER SHAFT BUSHING	
5	X51383050	WASHER, THRUST	
6	048060346	RETAINING RING, E6	
7	137768151	SET SCREW COLLAR	
8	014400432	SET SCREW, SOCKET (CP) M4 × 4	
9	XC2602051	JOINT	
10	012500532	SET SCREW, SOCKET (FT) M5 × 5	
11	XC2602051	JOINT	
12	012500532	SET SCREW, SOCKET (FT) M5 × 5	
13	132421051	BUSHING PRESSER	
14	X57908051	TAPTITE, BIND S M4 × 10	
15	XC2603050	DISK	
16	XC3183051	FELT	
BOBBIN WINDER MECHANISM			
17	XC2605051	BOBBIN WINDER ASSEMBLY HOLDER	
18	XC2606251	BW SHAFT HOLDER ASSEMBLY	
19	X55238051	RUBBER RING	
20	125928050	BOBBIN WINDER SHAFT SPRING	
21	048050343	RETAINING RING, E5	
22	XA2862051	BOBBIN WINDER SHAFT STOPPER	
23	X59939051	BOBBIN WINDER SPRING	
24	XC2614051	SW ADJUST PLATE	
25	060300616	SCREW, BIND M3 × 6	
26	XC2612051	SW ASSY: BW-F	
27	XC4672051	BOBBIN BASE ASSY	
28	XC2616051	BOBBIN BASE	
29	XA5877051	BOBBIN THREAD CUTTER HOLDER	
30	X80321001	NT LOWER THREAD CUTTER	
31	XA8390051	SCREW	
32	XC9590051	BOBBIN WINDER COVER	
33	021300205	NUT, 1 M3	
34	0A4302506	SCREW PAN (S/P WASHER) M3X25	
35	XC4517051	BOBBIN PRESSER	
36	XC2615051	BW HOLDER SUPPORTER	
37	X57908051	TAPTITE, BIND S M4 × 10	
38	060400816	SCREW, BIND M4 × 8	



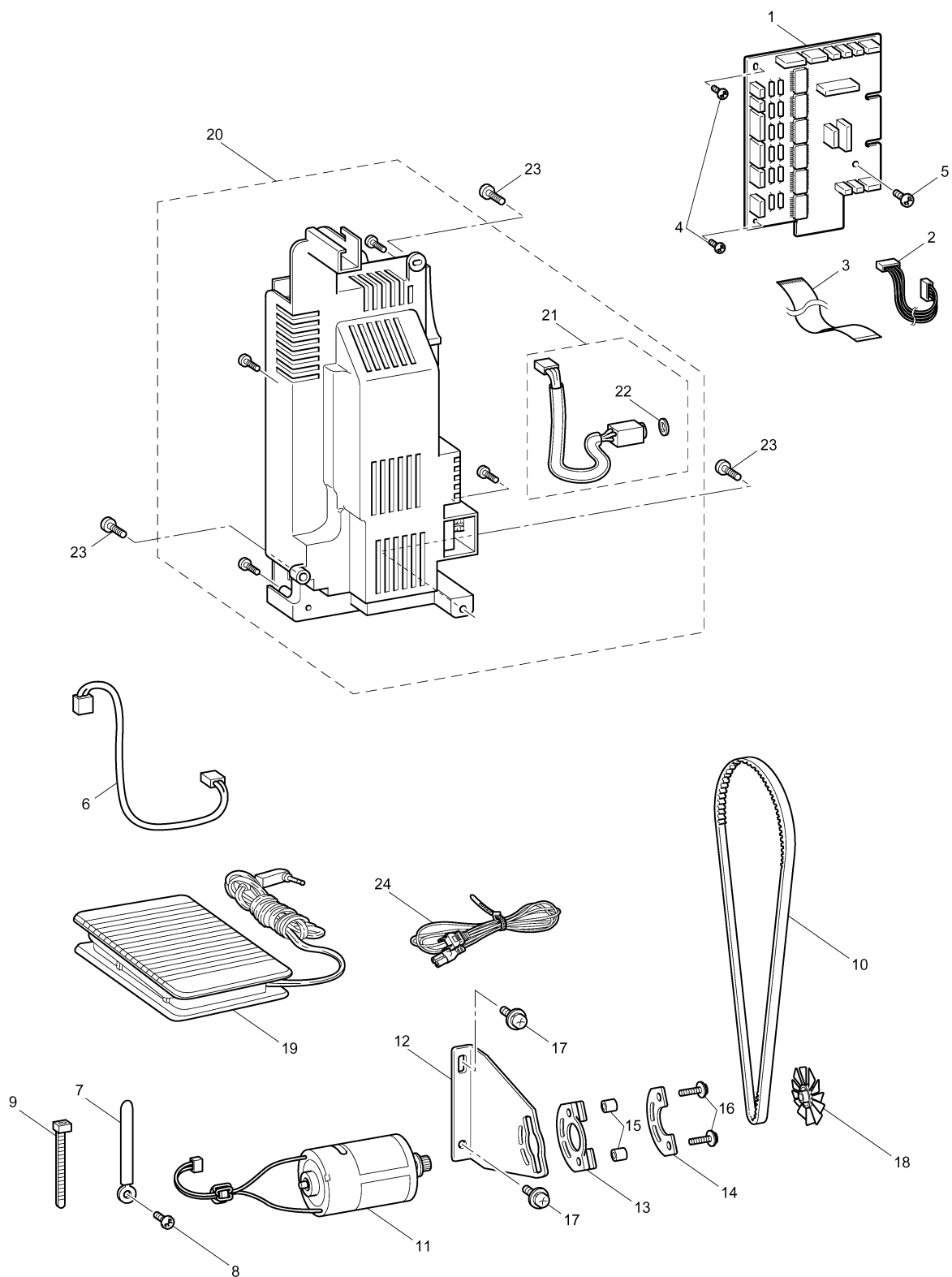
(5) THREAD GUIDE MECHANISM

No.	CODE	NAME	REMARKS	No.	CODE	NAME	REMARKS
1	XC2624351	THREAD GUARD ASSEMBLY		45	XC4407021	MOTOR,PULSE:AT SMJ35-4840-D	
2	XA0083051	TENSION DISC A		46	XC4484051	INITIAL ADJUSTING PLATE	
3	XC2626051	TENSION DISC B		47	XC3253051	RUBBER	
4	XC3437051	TENSION ADJUSTING SCREW		48	X53169050	BAND	
5	XA1388051	TENSION DISC WASHER		49	X55260153	SPOOL PRESSER C	
6	XC2627051	TENSION RELEASE PLATE ASSY		50	XA9787051	SPRING	
7	XA9900051	THREAD TENSIONSPRING		51	085411015	TAPTITE, BIND B M4 × 10	
8	XD0573051	WASHER		52	XD0384151	THREAD GUIDE COVER	
9	XA9562051	TENSION PLATE ASSY		53	XD0386051	FRONT THREAD GUARD COVER	
10	XZ0171051	THREAD TENSIONCAM		54	060300416	SCREW, BIND M3 × 4	
11	048030346	RETAINING RING, E3		55	XC7564051	SCREW, PAN(S/P WASHER)M3X6	
12	XZ0170051	THREAD TENSION GEAR COVER		56	XD0389051	THREAD GUIDE COVER	
13	X56323051	SPRING		57	XC9745151	THREAD GUIDE	
14	XA9935050	SPRING TAPE		58	X59629051	TAPTITE,BIND B M3X10	
15	XC2635151	TENSION RELEASE HOLDER ASSY					
16	XA9571051	TENSION RELEASERLINK					
17	048030346	RETAINING RING, E3					
18	XC2638151	TENSION PRESSURE ASSY					
19	XA9575051	TENSION PLATE					
20	XA9576051	SPACER					
21	XA9577051	SPRING					
22	XC2640051	TENSION RELEASE CAM					
23	012300432	SET SCREW, SOCKET (FT) M3 × 4					
24	X57363051	POWER LOCK 2 × 3					
25	X57605051	SPRING					
26	048020346	RETAINING RING, E2					
27	XC2644051	PLATE ASSEMBLY					
28	XC9740051	THREAD GUIDE SHUTTER					
29	XC2749051	THREAD GUIDE					
30	XZ0145051	THREAD TAKE UP SPRING					
31	XD0377051	THREAD CATCHING SPRING CASE FE					
32	XD0378051	THREAD CUTTING SHUTTER FE					
33	XD0379051	THREAD SENSOR HOLDER FE					
34	XD0380051	UPTHREAD PCB ASSY FCOM					
35	0A4302006	SCREW PAN (S/P WASHER) M3X20					
36	XC2649050	THREAD GUIDE SHUTTER LINK					
37	048030346	RETAINING RING, E3					
38	XC2650051	SPRING					
39	XD0383050	THREAD GUIDE WIRE FE					
40	XA9996051	WASHER,PLAIN					
41	XC7564051	SCREW, PAN(S/P WASHER)M3X6					
42	060300416	SCREW, BIND M3 × 4					
43	XC2641051	PRESSER SWITCH HOLDER					
44	XC2642051	SW ASSY:PF-F					



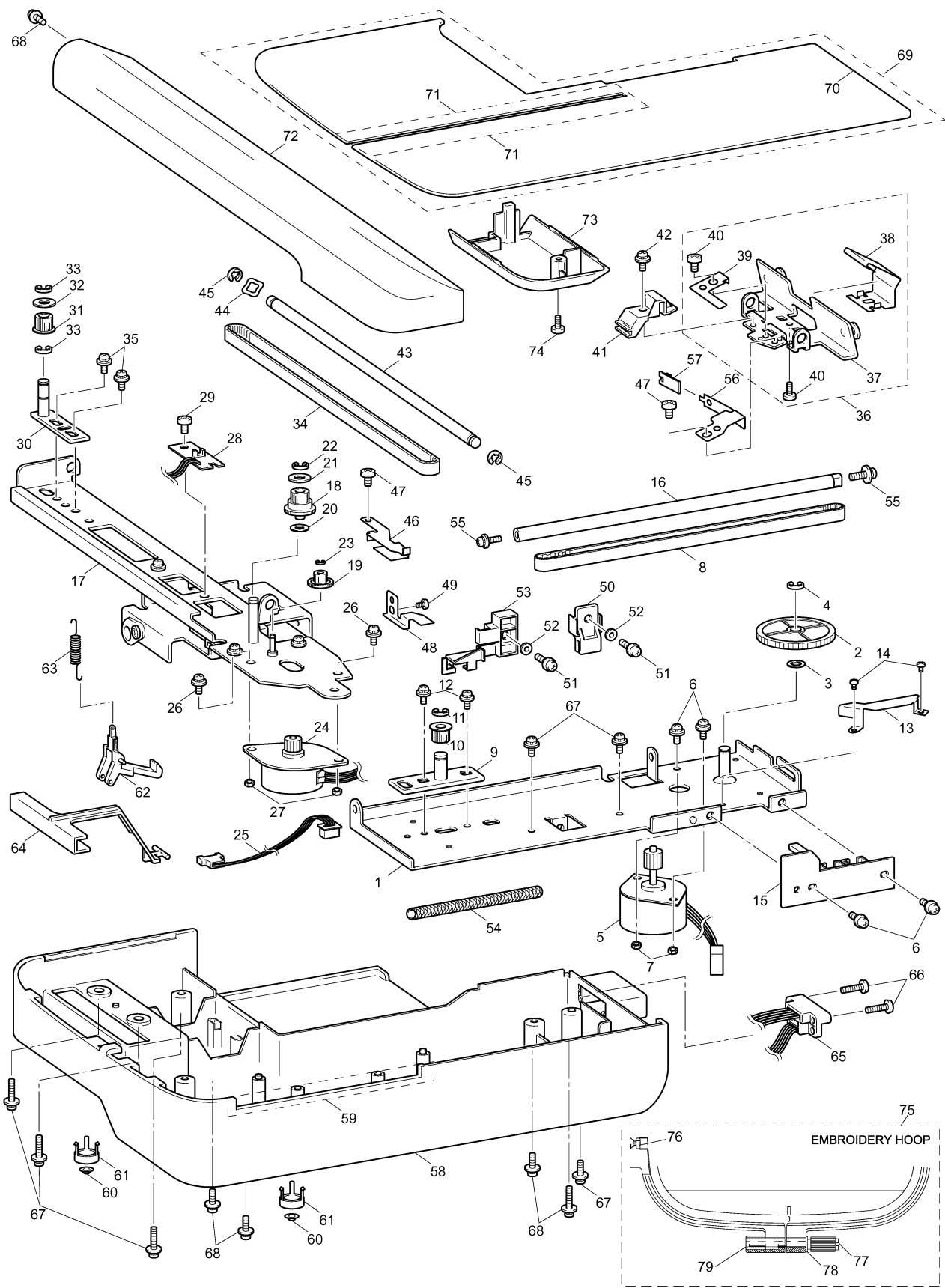
(6) ELECTRONIC PARTS / MOTOR UNIT

No.	CODE	NAME	REMARKS
ELECTRONIC PARTS			
1	XD1924051	MOTOR PCB SUPPLY ASSY-EU	
2	XD0394051	LEAD WIRE ASSY POWER	
3	XD0395051	FFC:UL2896SFBNCD-P0.5-L1-50	
4	136681051	TAPTITE,BIND B M3X8	
5	060400816	SCREW, BIND M4 × 8	
6	XC2672051	LEAD ASSY:BH CABLE-F	
7	XA0286051	WIRE CLIP	
8	X57908051	TAPTITE,BIND S M4 × 10	
9	X53169050	BAND	
MOTOR UNIT			
10	XC2685051	T BELT494-2GT-6	
11	XC2687051	ASSY:MAIN MOTOR-F	
12	XC2690051	MOTOR HOLDER	
13	XA9649050	FENDER RUBBER	
14	XA9650051	MOTOR SPACER PRESSER	
15	XC3027051	SPACER 4 × 6	
16	XC7568051	SCREW, PAN (S/P WASHER) M4 × 14	
17	XA8474051	UPSET 4 × 12 DB	
18	XA9652150	MOTOR FAN	
19	XD0501051	FOOT CONTROLLER:FC-322-LF-EU (IRE, GER, U.K., FRA, ITA)	
	XC8816051	FOOT CONTROLLER:FC-322-81-LF (SIN, AUS)	
POWER SUPPLY UNIT			
20	XD1235051	POWER SUPPLY UNIT F230	
21	XC4488051	FC JACK-F SUPPLY ASSY	
22	XD1973001	NUT F	
23	XC7568051	SCREW, PAN(S/P WASHER)M4X14	
24	X59354151	POWER SUPPLY CORD –BS (IRE, U.K.)	
	XA0070151	POWER SUPPLY CORD (GER, FRA, ITA, SIN)	
	XC9548051	POWER SUPPLY CORD:SAA-LF (AUS)	



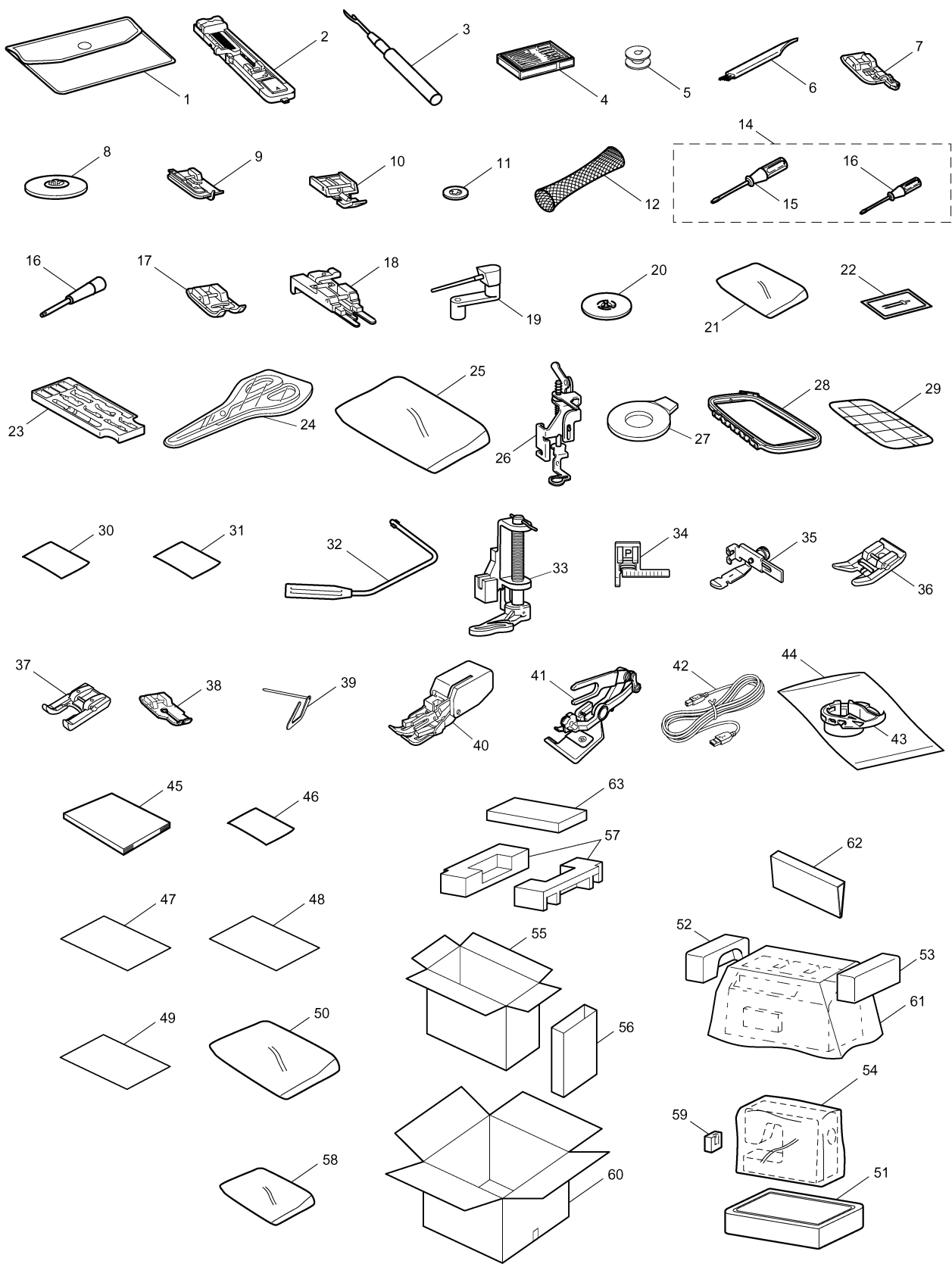
(7) EMBROIDERY UNIT

No.	CODE	NAME	REMARKS	No.	CODE	NAME	REMARKS
1	XD0413051	MAIN FRAME SUB ASSY		45	048040346	RETAINING RING E4	
2	XD1350050	X DRIVING GEAR PULLEY		46	XD0446050	CODE GUIDE	
3	X53838051	WASHER		47	060300416	SCREW BIND M3X4	
4	048040346	RETAINING RING E4		48	XD0447050	X INITIAL SHUTTER	
5	XD0415151	X PULSE MOTOR SMJ40-4888-B		49	060400616	SCREW BIND M4X6	
6	XA8390051	SCREW, PAN(S/P WASHER)M3X7		50	XA2144350	X BELT PRESSER	
7	021300205	NUT 2 M3		51	XC7567051	SCREW, PAN(S/P WASHER)M4X12	
8	XA2123051	TIMING BELT 62S2M494		52	027040223	WASHER EX TOOTH 4	
9	XD0418051	X TENSION PULLEY ASSY		53	XD0448150	X SLIDER	
10	XA2127050	TENSION PULLEY		54	XD1814051	NYLON SLEEVE	
11	048040346	RETAINING RING E4		55	XC7566051	SCREW, PAN(S/P WASHER)M4X8	
12	XC7566051	SCREW, PAN(S/P WASHER)M4X8		56	XD0768051	Y GUIDE SHAFT PRESSER PLATE	
13	XD0421050	OIL GUARD PLATE		57	XD0769050	Y GUIDE SHAFT PRESSER	
14	060300416	SCREW BIND M3X4		58	XD0452051	ES BASE COVER	
15	XD0422051	EMB RELAY PCB ASSY		59	XD0453051	GROOVE COVER	
16	XA2128051	X GUIDE SHAFT		60	X59853050	RUBBER CUSHION	
17	XD0426151	X CARRIAGE ASSY		61	XC8094051	RUBBER CUSHION COVER	
18	XD1351050	Y DRIVING GEAR PULLEY		62	XD0454051	LOCK FINGER	
19	XD1161050	IDLE GEAR		63	XC8096051	SPRING	
20	X53838051	WASHER		64	XD0455051	LOCK RELEASE LEVER	
21	025060235	WASHER PLAIN M 6		65	XD0456051	LEAD WIRE ASSY EMB UNIT FCOMB	
22	048040346	RETAINING RING E4		66	085301615	TAPTITE BIND P M3X16	
23	048030346	RETAINING RING E3		67	087411416	TAPTITE CUP B M4X14	
24	XD0432151	Y PULSE MOTOR SMJ35-4823-F		68	XC7566051	SCREW, PAN(S/P WASHER)M4X8	
25	XD0435051	LEAD WIRE ASSY YPM RELAY		69	XD0457051	ES MAIN COVER ASSY	
26	XA8390051	SCREW, PAN(S/P WASHER)M3X7		70	XD0458051	ES MAIN COVER	
27	021300205	NUT 2 M3		71	XD0453051	GROOVE COVER	
28	XD0436051	Y SENSOR PCB ASSY		72	XD0461051	X CARRIAGE COVER	
29	060300416	SCREW BIND M3X4		73	XD0463051	YPM COVER	
30	XD0438051	Y TENSION PULLEY ASSY		74	085301017	TAPTITE BIND P M3X10	
31	XA2127050	TENSION PULLEY		75	XA2168201	EF26 985 EMBROIDERY FRAME LARG	
32	025060235	WASHER PLAIN M 6		76	021300106	NUT 1 M3	
33	048040346	RETAINING RING E4		77	X56373101	THUMB SCREW	
34	XC8041051	TIMING BELT 40S2M530		78	X59422001	WASHER	
35	XC7566051	SCREW, PAN(S/P WASHER)M4X8		79	XA6982001	NUT	
36	XD0441051	Y CARRIAGE ASSY					
37	XD0442051	Y CARRIAGE PLATE SUB ASSY			XD0464051	EMBROIDERY SHEET L ASSY F	
38	XD0444051	HOOP FIXED SPRING			XD0466051	ES CARTON	
39	XD0445050	Y INITIAL SHUTTER			XD0468150	ES POLYSTYRENE FOAM T	
40	060300416	SCREW BIND M3X4			XD0469050	ES POLYSTYRENE FOAM U	
41	XA4710250	Y SLIDER			X60679051	BAG,450X400H	
42	XA8390051	SCREW, PAN(S/P WASHER)M3X7					
43	XA2139051	Y GUIDE SHAFT			XD1234061	EMBROIDERY PACKING ASSY	
44	103810052	WASHER, WAVE SPRING					



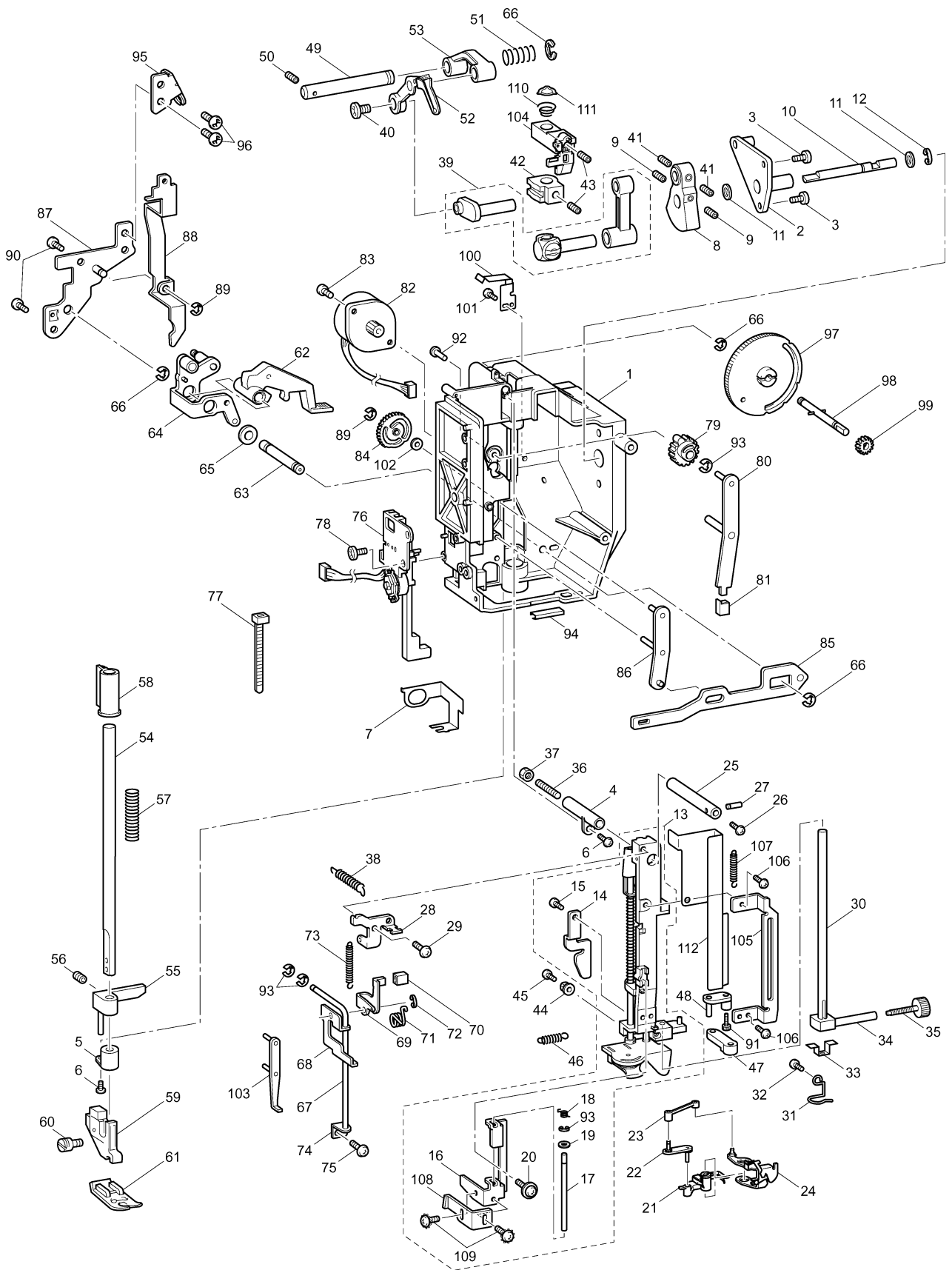
(8) ATTACHMENTS / PRINTED MATTER / PACKING MATERIALS

No.	CODE	NAME	REMARKS	No.	CODE	NAME	REMARKS
ATTACHMENTS				PRINTED MATTER			
1	XC4487051	ACCESSORY BAG		45	XD1534051	INSTRUCTION BOOK ENG (IRE, U.K., SIN, AUS)	
2	XC2691053	BH PRESSER FOOT ASSY			XD1236051	INSTRUCTION BOOK GER (GER)	
3	X54243051	SEAM RIPPER			XD1574051	INSTRUCTION BOOK FRE (FRA)	
4	X58358051	Z NEEDLE ASSY			XD1575051	INSTRUCTION BOOK DUT (FRA)	
5	X52800150	BOBBIN			XD1576051	INSTRUCTION BOOK ITA (ITA)	
6	X59476051	CLEANING BRUSH		46	UH3851001	WARRANTY CARD EUR (IRE, GER, U.K., FRA, ITA)	
7	XC3098051	OVERCASTING STITCH FOOT ASSY			XC6402051	WARRANTY CARD UK (U.K.)	
8	130012054	SPOOL PRESSER A			XA6351251	WARRANTY CARD (ITA)	
9	X56409051	BLIND STITCH FOOT ASSY		47	XD1237051	QUICK REFERENCE GUIDE	
10	X59370051	ZIPPER FOOT		48	XD1238051	LANGUAGE SETTING SHEET (IRE, GER, U.K., FRA, ITA)	
11	130013154	SPOOL PRESSER B		49	XD0256051	INSERTION WEEE (IRE, GER, U.K., FRA, ITA)	
12	XA5523050	NET		50	130800051	BAG, 220 × 310	
13	X55466051	SCREW DRIVER		PACKING MATERIALS			
14	XC8349051	SCREW DRIVER		51	XC9754150	BODY SUPPORT SF	
15	X55468051	SCREW DRIVER S		52	XC2705150	CASE SUPPORT	
16	135793001	PUNCH		53	XC2706150	CASE SUPPORT SF-R	
17	X53840351	TRANSPARENCY PRESSER FOOT		54	X60439151	BAG, 630 × 630T	
18	130489001	BUTTONING FOOT		55	XD0492050	CARTON	
19	XC4654051	EXTRA SPOOL PIN ASSY		56	XD0702050	PAD U10	
20	X55260153	SPOOL PRESSER C		57	XD1240050	POLYSTYRENE FOAM PAD U11	
21	X57367051	BAG, 135 × 150		58	XC4515050	BAG, BUBBLE PACK 250 × 250	
22	X59296151	TWIN NEEDLE (1PC)		59	XC4762250	THREADER SUPPORT SF	
23	XC4489051	ACCESSORY TRAY		60	XD1241051	MASTER CARTON	
24	XC1807121	SCISSORS		61	X61319051	BAG, 750X600H	
25	XA0188050	BAG		62	XC4631051	PAD	
26	XD0474051	EMBROIDERY PRESSER ASSEMBLY		63	XD1592050	EMBROIDERY FRAME LL CARTON	
27	XC1074051	NEEDLE PLATE FIXING METAL			X57847051	PLUG LABEL (IRE, U.K.)	
28	XA5912001	EMBROIDERYFOOP LL ASSY					
29	XD0661051	EMBROIDERY SHEET LL ASSY F					
30	XD0611051	MANUAL					
31	XC9183151	MANUAL					
32	XA6941052	KNEE LIFTER LEVER ASSY					
33	XA4322001	QUILTING FOOT					
34	X51804001	STITCH FOOT					
35	103561002	ZIPPER FOOT					
36	XA4783001	NO STICK FOOT H					
37	XA7869001	APPLIQUE FOOT					
38	XA3805051	1/4'QUILTING FOOT					
39	X59819001	QUILTER					
40	X59816101	WALKING FOOT ASSEMBLY					
41	XC3198001	SIDE CUTTER ASSY					
42	XD0745051	USB I/F CORE CABLE					
43	XC8167251	INNER ROTARY HOOK ASSY					
44	XC6909050	PE BAG 90X100					



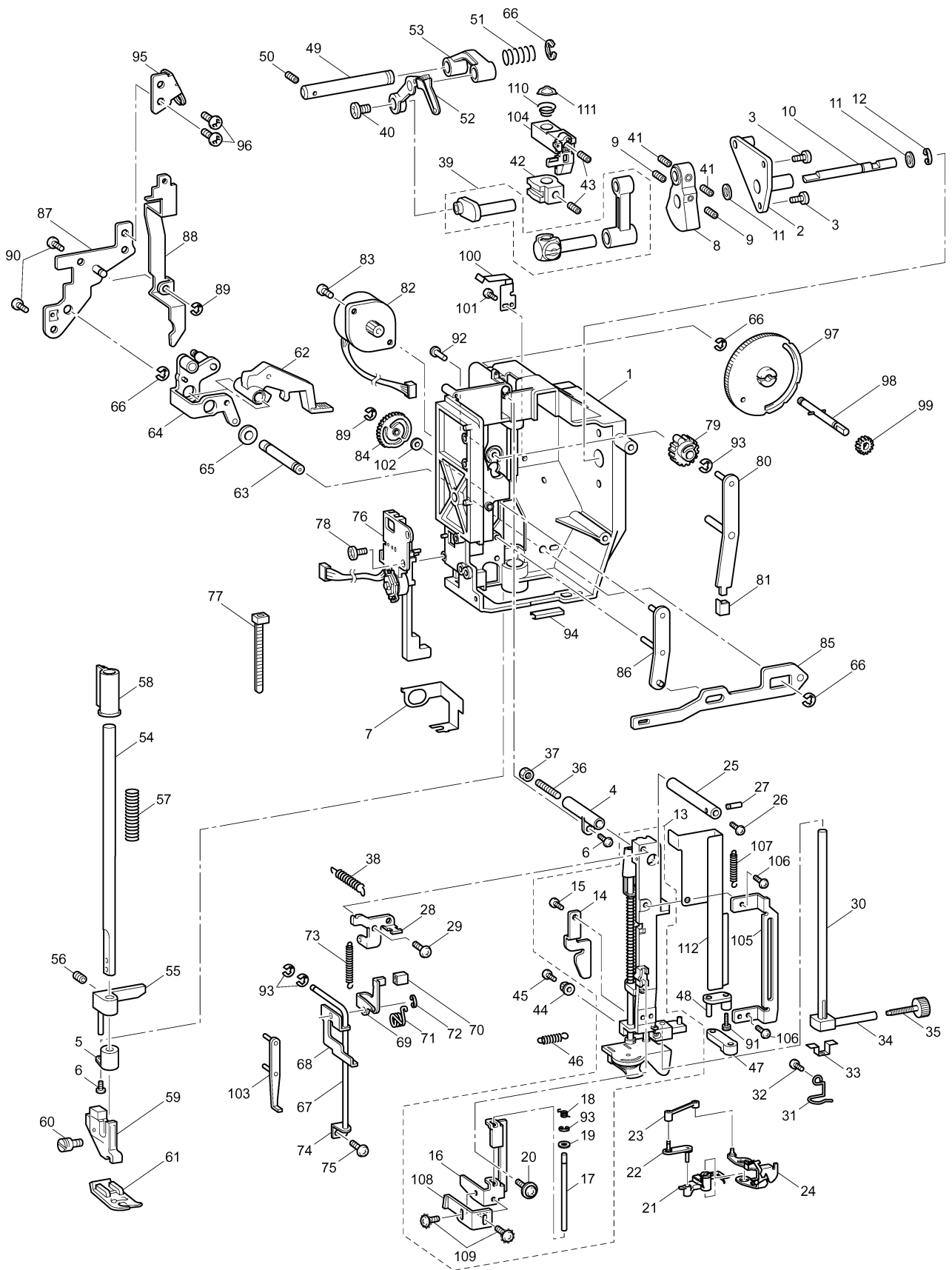
NEEDLE-PRESSER MODULE

No.	CODE	NAME	REMARKS	No.	CODE	NAME	REMARKS
1	XC2394421	UPPER UNIT HOLDER		45	018301032	BOLT, SOCKET M3 × 10	
2	XZ0177021	SHAFT BUSHING ASSEMBLY		46	XC2748021	SPRING-Z	
3	XC7568051	SCREW, PAN (S/P WASHER) M4 × 14		47	XC2436021	NEEDLE HOLDER BROCK	
4	XC2398020	SHAFT BUSHING A		48	XC2437021	SHAFT ASSY	
5	XC2399021	PRESSER BAR BUSHING		49	XC2440051	SHAFT	
6	136681051	TAPTITE, BIND B M3 × 8		50	014300532	SET SCREW, SOCKET (CP) M3 × 5	
7	XC5362050	PLATE SPRING		51	XC2441021	SPRING	
8	XC2400021	THREAD TAKE-UP COUNTER WEIGHT		52	XC6239151	THREAD TAKE-UP LEVER ASSY	
9	012500532	SET SCREW, SOCKET (FT) M5 × 5		53	XC2443020	THREAD TAKE-UP LEVER LINK	
10	XC2401021	UNIT SHAFT		54	XC2444021	PRESSER BAR	
11	132434020	WASHER		55	XC2445021	PRESSER BAR CLAMP ASSY	
12	048060346	RETAINING RING, E6		56	014501032	SET SCREW, SOCKET (CP) M5 × 10	
13	XD1230151	NEEDLE BAR SUPPORTER ASSY		57	XC4457051	SPRING	
14	XC9908050	HOOK RELEASE PLATE		58	XC4458050	PRESSER SPRING SUPPORTER	
15	060260516	SCREW, BIND M2.6 × 5		59	XC3015051	PRESSER FEED HOLDER ASSY	
16	XC3446051	RELEASE LEVER		60	XA4813051	SCREW	
17	XC3447051	RELEASE LEVER SHAFT		61	XC3021051	Z FOOT	
18	XC3448051	RELEASE LEVER SPRING		62	XC9725051	PRESSER FOOT LIFTER	
19	137977050	POLYESTER SLIDER		63	XC4459051	PRESSER LIFT SHAFT	
20	0A2300606	SCREW PAN (P WASHER) M3X6		64	XC4460051	LIFTER ASSY	
21	XD1550051	THREADER HOOK ASSY		65	XA1860150	WASHER	
22	XD1546051	LINK A ASSY		66	048040346	RETAINING RING, E4	
23	XD1548051	LINK B		67	XC2453051	LEVER GUIDE SHAFT	
24	XC9613051	THREAD GUIDE ASSY		68	XC2455021	LEVER A ASSY	
25	XC2419021	SHAFT		69	XC2458021	LEVER B	
26	000020415	SCREW, BIND M2 × 4		70	XC2459020	CAP	
27	XC2420050	SHAFT		71	XC2460021	TORSION SPRING	
28	XD1488051	PLATE		72	048030346	RETAINING RING, E3	
29	060300516	SCREW, BIND M3 × 5		73	XC2461021	SPRING	
30	XC2423051	NEEDLE BAR		74	XC2462021	LEVER PRESSER PLATE	
31	XC2424021	NEEDLE BAR THREAD GUIDE		75	138433051	TAPTITE, PAN B M3 × 6	
32	X53053052	SCREW SM2.38		76	XC2463121	BH SWITCH ASSY	
33	XC2426020	NEEDLE THREAD PLATE		77	X53169050	BAND	
34	XC2427051	NEEDLE BLOCK		78	XZ0149051	TAPTITE, PAN B 4 × 12	
35	XZ0388051	NEEDLE CLAMP SCREW		79	XC2474020	Z ZIGZAG CAM	
36	014401232	SET SCREW, SOCKET (FT) M4 × 12		80	XC2476021	Z ZIGZAG LEVER ASSY	
37	X56851051	LOCK NUT		81	XC2480020	Z LEVER CUP	
38	XC2429021	SPRING		82	XC2481051	MOTOR, PULSE: Z SMJ35-4840-A	
39	XC6300151	NEEDLE BAR CRANK ROD ASSY		83	X59629051	TAPTITE, BIND B M3X10	
40	132051052	SCREW, FLAT SM3.57-40 × 7 L		84	XC2483020	T CAM	
41	012500532	SET SCREW, SOCKET (FT) M5 × 5		85	XC2491021	THREAD RELEASER ASSY	
42	XC2434021	NEEDLE THREAD BLOCK		86	XC2494021	THREAD RELEASE LEVER ASSY	
43	012400432	SET SCREW, SOCKET (FT) M4 × 4		87	XC4465051	ADJUSTING PLATE ASSY	
44	XC2435020	ZIGZAG ADJUSTING NUT		88	XC2501121	TENSION RELEASER C	



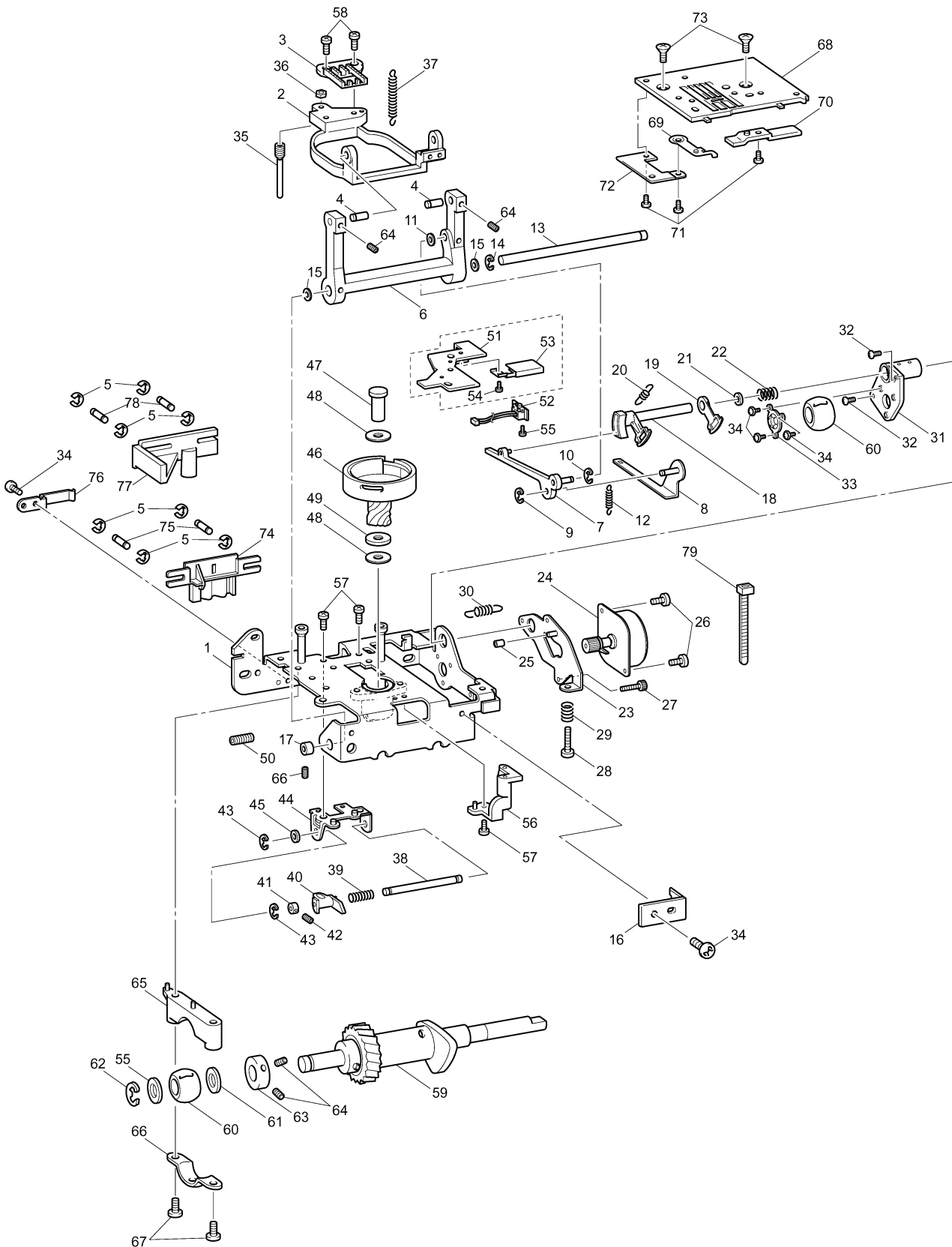
NEEDLE-PRESSER MODULE

No.	CODE	NAME	REMARKS
89	048030346	RETAINING RING, E3	
90	XC3588051	GIZA TITE 4X12	
91	XC3037051	SCREW3 × 10	
92	XC2475051	SHAFT	
93	048020346	RETAINING RING, E2	
94	XC3034020	THREAD GUIDE PLATE	
95	XC4467051	WIRE GUIDE PLATE U	
96	060400616	SCREW BIND M4X6	
97	XC4468051	PRESSER DIAL	
98	XC4522051	PRESSER DIAL SHAFT ASSY	
99	XC4471050	PRESSER DIAL GEAR	
100	XC4472051	PLATE SPRING	
101	136681051	TAPTITE, BIND B M3 × 8	
102	XZ0155051	POLYESTER SLIDER	
103	XC6241151	RELEASE PLATE ASSY	
104	XC6245051	NEEDLE BAR HOOK STAND ASSY	
105	XC6251051	RELEASE GUIDE PLATE	
106	060300616	SCREW BIND M3X6	
107	XD1489051	SPRING	
108	XC6253050	RELEASE ADJUSTER	
109	0A6300606	SCREW PAN (T WASHER) M3X6	
110	XC6254051	NEEDLE BAR PRESSER SPRING	
111	XC6255050	WASHER, THRUST	
112	XD0604050	SPRING GUARD	
	XD0971151	NEEDLE SUPPLY UNIT ASSY U11	



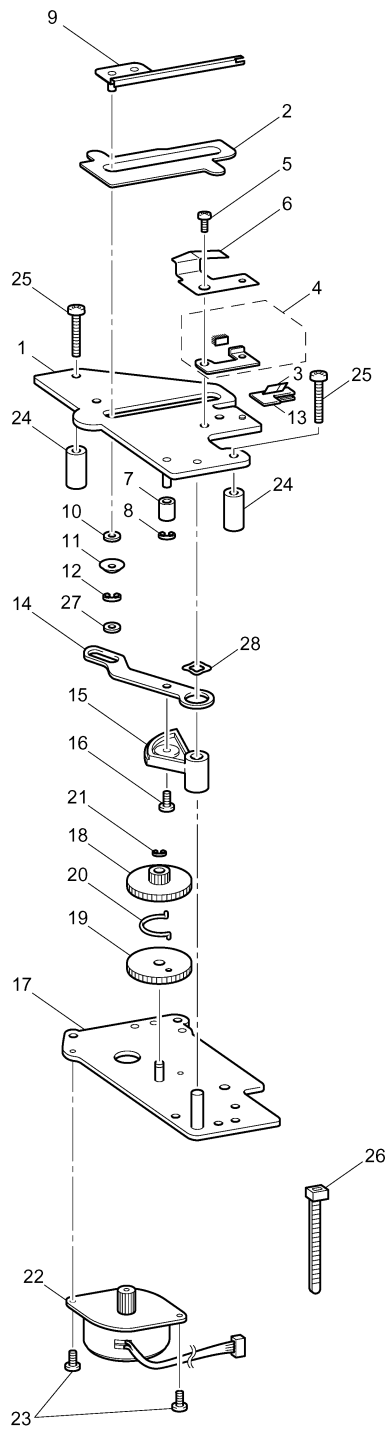
FEED MODULE

No.	CODE	NAME	REMARKS	No.	CODE	NAME	REMARKS
1	XC7638051	BASE PLATE		45	137713050	POLYESTER SLIDER	
2	XC2510021	FEED BAR		46	XC2210051	OUTER ROTARY HOOK ASSY	
3	XC7846151	FEED DOG		47	XC2230051	OUTER ROTARY HOOK SHAFT	
4	XC2512051	FEED BAR SHAFT A		48	137805052	SPACER	
5	048020346	RETAINING RING, E2		49	137976051	WASHER 6	
6	XC8337021	FEED ARM A		50	014400632	SET SCREW, SOCKET (CP) M4 × 6	
7	XC2517021	FEED ARM B ASSY		51	XC8406251	INNER ROTARY HOOK BRACKET ASSY	
8	XC2521021	FEED SUPPORTING PLATE ASSY		52	XC8350051	PHOTO DIODE HOLDER ASSY	
9	048020346	RETAINING RING, E2		53	XC7866251	CORD HOLDER	
10	048030346	RETAINING RING, E3		54	060260316	SCREW BIND M2.6X3	
11	137999050	POLYESTER SLIDER		55	000020415	SCREW BIND M2X4	
12	XZ0174021	SPRING		56	XZ0181121	STOPPER PLATE BLOCK ASSY	
13	XC7835051	HORIZONTAL FEED SHAFT		57	060400516	SCREW, BIND M4 × 5	
14	048050346	RETAINING RING, E5		58	060300816	SCREW, BIND M3 × 8	
15	X50546050	WASHER, THRUST		59	XC2562121	LOWER SHAFT B ASSY	
16	XC8195051	SHAFT STOPPER PLATE		60	X52664050	LOWER SHAFT BUSHING	
17	130676151	SET SCREW COLLAR		61	X51383050	WASHER, THRUST	
18	XC2527021	FEED ADJUSTER		62	048060346	RETAINING RING, E6	
19	XC2529020	F GEAR		63	137768151	SET SCREW COLLAR	
20	XC2530021	SPRING		64	014400432	SET SCREW, SOCKET (CP) M4 × 4	
21	137713050	POLYESTER SLIDER		65	XC2566021	BUSHING SUPPORTER A	
22	XC2531021	SPRING		66	XC2567021	BUSHING PRESSER A	
23	XC2532021	FPM HOLDER ASSY		67	060401616	SCREW, BIND M4 × 16	
24	XC2534021	MOTOR,PULSE:F SMJ35-4840-C		68	XC7872151	NEEDLE PLATE A	
25	XC2587050	RUBBER		69	XC9728051	STOPPER PLATE	
26	060300516	SCREW, BIND M3 × 5		70	XC2571021	F GEAR STOPPER PLATE	
27	XC3338051	SCREW3 × 8		71	060260316	SCREW, BIND M2.6 × 3	
28	018402532	BOLT, SOCKET M4 × 25		72	XC9729151	NEEDLE PLATE B SUPPORT PLATE	
29	XC2537021	SPRING		73	X50487051	SCREW M4	
30	XC2538021	SPRING		74	XC2572021	DROP KNOB	
31	XC2539021	BUSHING SUPPORTER ASSY		75	XC2573051	SLIDE SHAFT B	
32	060400616	SCREW, BIND M4 × 6		76	XC2574021	SPRING PLATE	
33	XC2542021	BUSHING PRESSER B		77	XD0372051	DROP LEVER FE	
34	060300516	SCREW, BIND M3 × 5		78	XC3587021	SLIDE SHAFT A	
35	XC3941051	VERTICAL ADJUSTER SCREW ASSY		79	X53169050	BAND	
36	XC2546051	M5 NUT					
37	XC2547021	SPRING			XD0972051	FEED SUPPLY UNIT ASSY U11	
38	XC8361051	VERTICAL FEED SHAFT					
39	XC2550021	SPRING					
40	XC2551020	VERTICAL LEVER					
41	XC2552051	SET SCREW COLLAR					
42	014400432	SET SCREW, SOCKET (CP) M4 × 4					
43	048030346	RETAINING RING, E3					
44	XC7801021	VERTICAL SUPPORTING PLATE					



THREAD CUTTER MODULE

No.	CODE	NAME	REMARKS
1	XC9733051	THREAD CUTTER FRAME ASSY	
2	XC9735050	SPACER	
3	X80321001	NT LOWER THREAD CUTTER	
4	XC2595121	PRESSER PLATE ASSY	
5	060300416	SCREW, BIND M3 × 4	
6	XC2598120	SPRING PLATE	
7	XC2587050	RUBBER	
8	048030346	RETAINING RING, E3	
9	XC2583121	THREAD HOOK ASSY	
10	137713050	POLYESTER SLIDER	
11	X56731050	WASHER	
12	048040346	RETAINING RING, E4	
13	XC9736050	CUTTER HOLDER	
14	XC2581121	THREAD CUTTER LEVER	
15	XC2582020	THREAD CUTTER LEVER GEAR	
16	0A4300605	SCREW, PAN (S/P WASHER) M3 × 6	
17	XC2588121	MOTOR HOLDER ASSY	
18	XC2592020	IDLE GEAR A	
19	XC2593020	IDLE GEAR B	
20	X56323021	SPRING	
21	048020346	RETAINING RING, E2	
22	XC2331121	MOTOR PULSE:C SMJ35-4840-B	
23	060300416	SCREW, BIND M3 × 4	
24	XC2594051	COLLAR	
25	060402016	SCREW, BIND M4 × 20	
26	X53169050	BAND	
27	137713050	POLYESTER SLIDER	
28	XC8407050	WAVE-SHAPE SPRING WASHER	
	XD0075152	THREAD CUTTER SUPPLY ASSY	



NV1200
05A06HF882U11