

PARTS CATALOGUE FOR
COMPUTERIZED SEWING MACHINE

NV1500D
NV1500

07.2005.

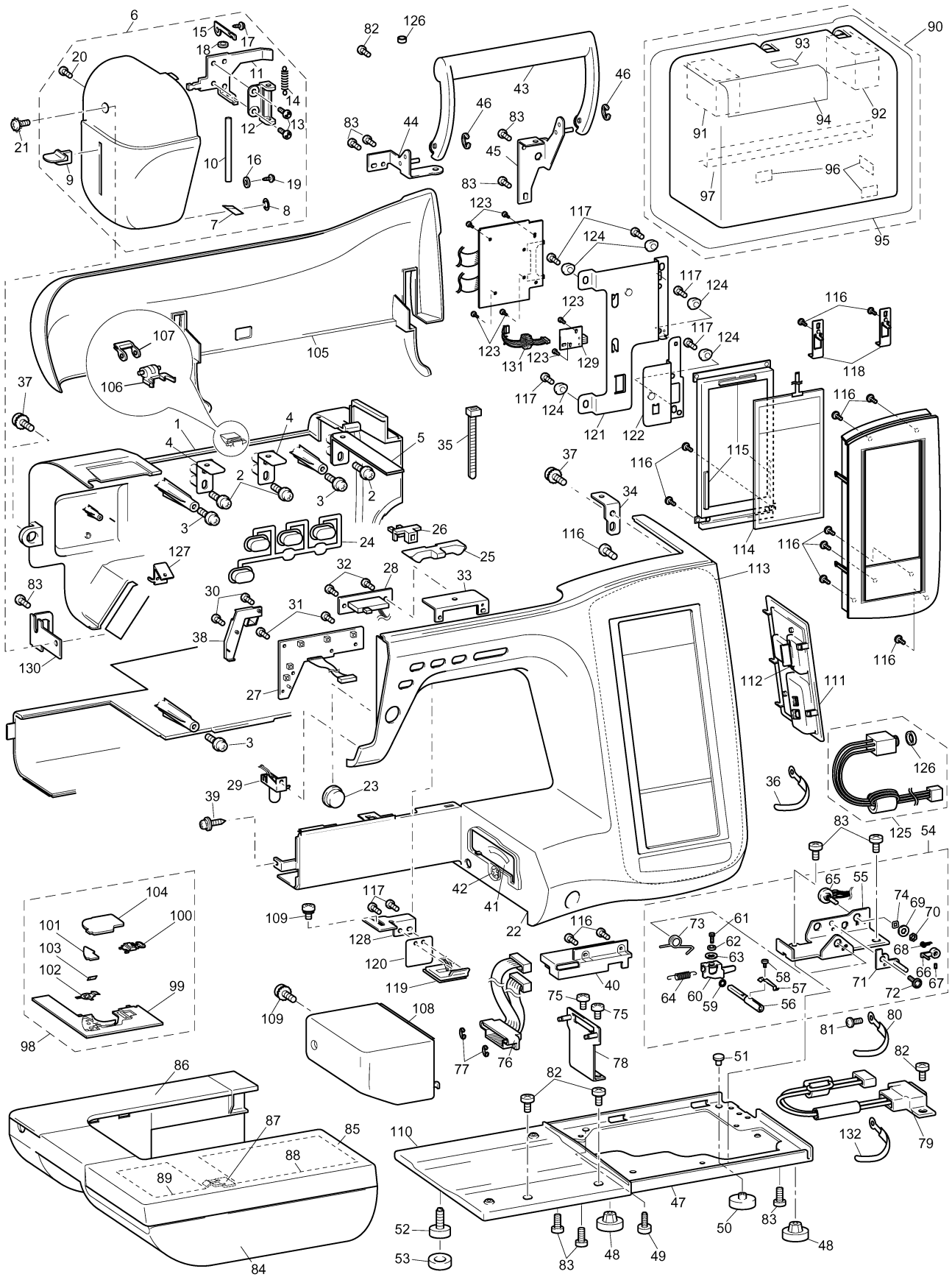
CONTENTS

(1) PRINCIPAL PARTS	2
LCD SUPPLY ASSEMBLY	6
(2) UPPER SHAFT / NEEDLE BAR, PRESSER MECHANISM	8
(3) FEED, ROTARY HOOK / SIDE FEED / THREAD CUTTING MECHANISM	10
(4) ROTARY HOOK DRIVE / BOBBIN WINDER MECHANISM	12
(5) THREAD GUIDE MECHANISM / THREAD HOOK MECHANISM	14
(6) ELECTRONIC PARTS / MOTOR UNIT	16
(7) EMBROIDERY UNIT	18
(8) ATTACHMENTS / PACKING MATERIALS / PRINTED MATTER	22
NEEDLE-PRESSER MODULE	24
FEED MODULE	28
THREAD CUTTER MODULE	32

(1) PRINCIPAL PARTS

No.	CODE	NAME	REMARKS	No.	CODE	NAME	REMARKS
1	XD0304052	REAR COVER		45	XC7733051	HANDLE HOLDER R ASSY	
2	087411016	TAPTITE CUP B M4X10		46	048040346	RETAINING RING E4	
3	087411416	TAPTITE CUP B M4X14		47	XC7736051	BASE PLATE	
4	XC7717051	PLATE A		48	XA1805051	BASE RUBBER A	
5	XC7718051	PLATE B		49	XA4687051	ADJUSTING SCREW ASSY	
6	XC9376151	FACE PLATE ASSY		50	XA4689051	BASE PLATE RUBBER	
7	X80321001	NT LOWER THREAD CUTTER		51	XA9387050	BASE PLATE RUBBER	
8	146200051	RETAINING RING, CS4		52	062500816	SCREW PAN M5X8	
9	XC2747051	NEEDLE THREAD LEVER KNOB		53	XA4689051	BASE PLATE RUBBER	
10	XC9386051	NEEDLE THREAD LEVER SHAFT		54	XC7737051	KNEE LIFTER ASSEMBLY	
11	XC9387051	NEEDLE THREAD LEVER		55	XC7738051	LIFTER BASE	
12	XD0119050	NEEDLE THREAD LEVER SLIDER		56	XC7739051	SHAFT	
13	XA8390051	SCREW		57	XA6215251	SPRING,PLATE	
14	XC9388051	THREAD THROUGH LEVER SPRING		58	060260316	SCREW BIND M2.6X3	
15	XA6320050	SHAFT PRESSER PLATE		59	X51383050	WASHER,THRUST	
16	XA5525051	WASHER,PLAIN		60	XC7740051	LIFTER LINK	
17	138433051	TAPTITE,PAN B M3X6		61	XA6252051	SCREW	
18	XC0508050	RUBBER WASHER		62	028040242	WASHER SPRING 2-4	
19	X59629051	TAPTITE,BIND B M3X10		63	026040236	WASHER PLAIN M 4	
20	0A6401206	SCREW PAN (T WASHER) M4X12		64	XC7741051	SPRING	
21	XC7566051	SCREW, PAN(S/P WASHER)M4X8		65	XC8208051	ASSY:KNEE LIFTER SENSOR	
22	XD0314051	FRONT COVER		66	XA6493051	PT LEVER	
23	XC7723051	SS-BUTTON		67	012300632	SET SCREW SOCKET (FT) M3X6	
24	XC7724051	BUTTON		68	XC7742051	SPRING	
25	XC7728051	SV KEYTOP		69	026060235	WASHER PLAIN M 6	
26	XC7729051	SV JOINT PLATE		70	X52569001	NUT	
27	XC8199051	ASSY:SS PCB D6		71	XC7743051	STOPPER PLATE ASSY	
28	XC8202051	ASSY:VR PCB D6		72	0A5400806	SCREW PAN (S/P WASHER) M4X8	
29	XC7981051	PCB UNIT:LED LAMP-D6R		73	XC8624051	KNEE LIFTER SPRING	
30	085311415	TAPTITE BIND B M3X14		74	XC8573051	WASHER,WAVE SPRING	
31	136681051	TAPTITE, BIND B M3X8		75	060400616	SCREW BIND M4X6	
32	X59629051	TAPTITE,BIND B M3X10		76	XC9511051	LEAD WIRE ASSY MAIN BODY D6M	
33	XC7838051	PLATE C		77	048030346	RETAINING RING E3	
34	XC7839051	PLATE D		78	XC7746051	CONNECTOR HOLDER ASSY	
35	X53169050	BAND		79	XC7632051	INLET ASSY:D6 US (U.S.A., CAN)	
36	137947001	CLIP			XC8419051	INLET ASSY:D6 EU (OTHER)	
37	087411016	TAPTITE CUP B M4X10		80	T31049001	COATING CLIP CS-6	
38	XC8680050	S HOLDER		81	060300616	SCREW BIND M3X6	
39	XC4433051	SCREW,PAN(T WASHER)M3X6		82	060400616	SCREW BIND M4X6	
40	XC8478250	INVERTER COVER		83	X57908051	TAPTITE,BIND S M4X10	
41	XA9400151	CONNECT COVER		84	XD0529051	ACCESSORY TABLE	
42	146200051	RETAINING RING, CS4		85	XD0697051	ACC TABLE F COVER SUPPLY ASSY	
43	XC7686051	HANDLE		86	XC9398051	ACCESSORY TABLE REAR COVER	
44	XC7731051	HANDLE HOLDER L ASSY		87	138644051	NOTCHED SPRING	

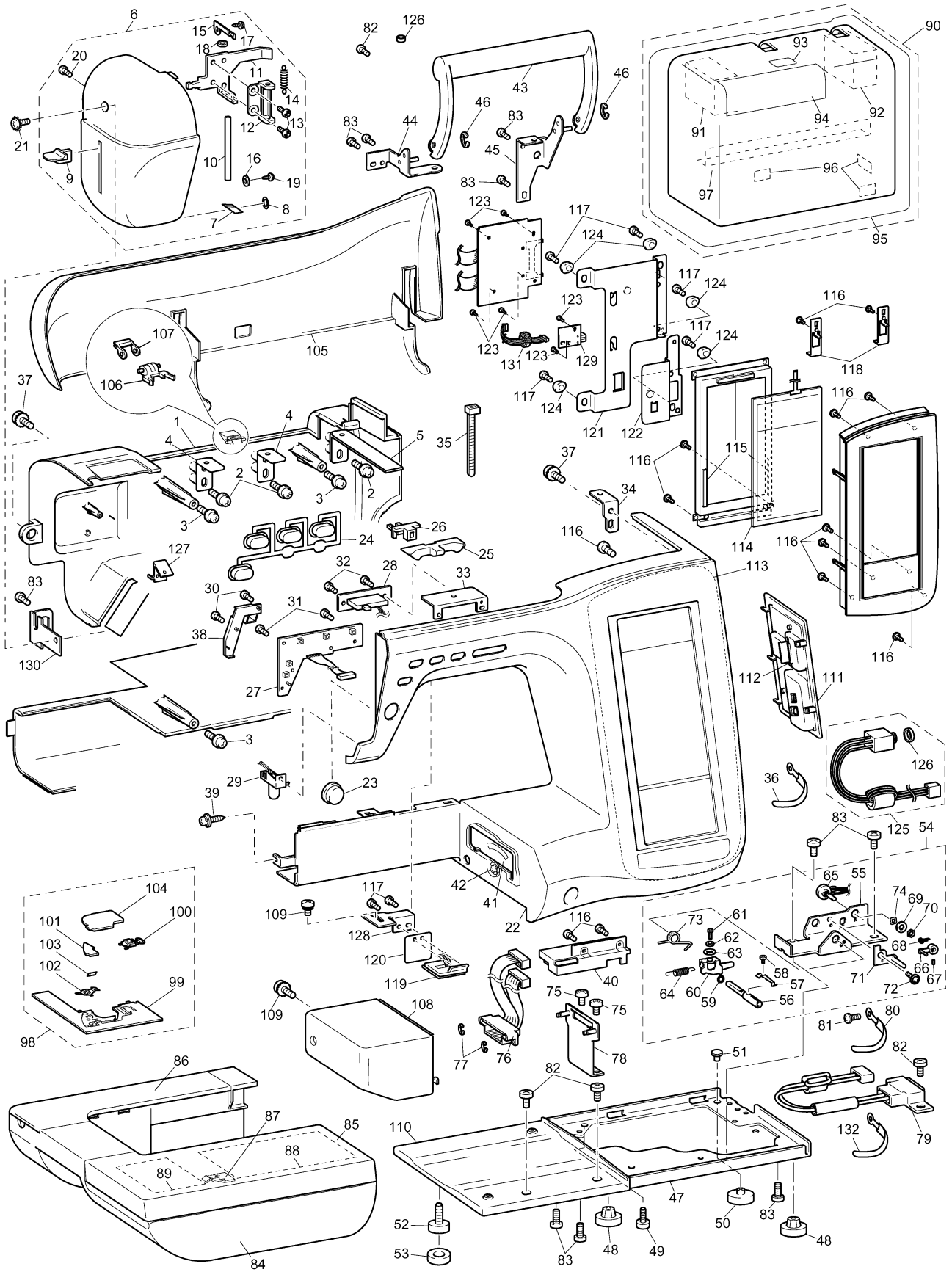
(1) PRINCIPAL PARTS



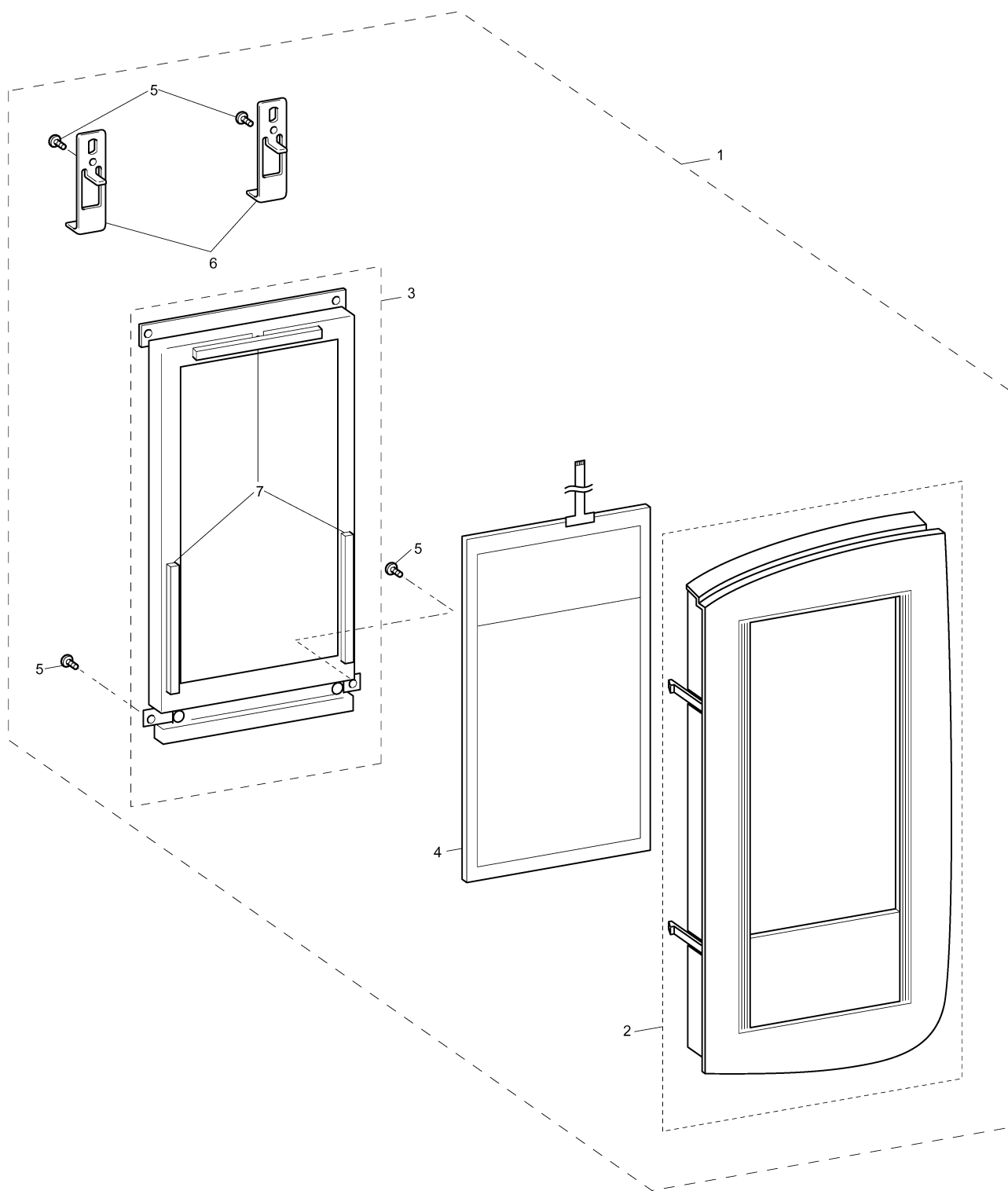
(1) PRINCIPAL PARTS

No.	CODE	NAME	REMARKS	No.	CODE	NAME	REMARKS
88	XD0528050	SPONGE A		130	XC9412051	FACE PLATE HOLDER	
89	XD0609050	SPONGE B		131	XD0518151	LEAD WIRE ASSY USB D6M_E	
90	XC9640151	CASE ASSEMBLY		132	137947001	CLIP	
91	XC9400150	UNDER CASE POLYSTYRENE L					
92	XC8183150	UNDER CASE POLYSTYRENE R					
93	XA3028052	DECORATION PLATE					
94	XC8378051	CASE COVER					
95	XC8613051	BAG.900X600H					
96	125440050	CASE FELT					
97	XC7253051	SHEET FOR D6 HARDCASE					
98	XC2364052	NEEDLE PLATE B ASSY					
99	XC2365052	NEEDLE PLATE B					
100	XC2366152	SLIDE BUTTON					
101	XC2367052	CUTTER COVER					
102	XC2368051	SPRING PLATE					
103	X80321001	NT LOWER THREAD CUTTER					
104	XC2369051	NEEDLE PLATE COVER					
105	XC7690055	TOP COVER					
106	XZ0391051	UPPER COVER HOLDER					
107	XC3286001	UPPER COVER HINGE OEM					
108	XC7691051	FREE ARM COVER					
109	0A6400806	SCREW PAN (T WASHER) M4X8					
110	XC7692051	BASE PLATE COVER					
111	XC9402151	CARD PCB COVER					
112	XC7756051	PEN HOLDER					
113	XD0731051	LCD MODULE SUPPLY ASSY (U.S.A.)					
	XD0732051	LCD MODULE SUPPLY ASSY (OTHER)					
114	XC9408053	ASSY:TOUCH PANEL D6MID (U.S.A.)					
	XC9408054	ASSY:TOUCH PANEL D6MID (OTHER)					
115	XA6039051	FRONT COVER SPACER B					
116	136681051	TAPTITE, BIND B M3X8					
117	X59629051	TAPTITE, BIND B M3X10					
118	XC9410051	LCD PRESSER MID					
119	XD0504051	LED LAMP UNIT WORK AREA D6					
120	XC7759051	INSULATION SHEET					
121	XD0521051	CARD PCB HOLDER					
122	XD0522051	USB PCB HOLDER					
123	060300516	SCREW BIND M3X5					
124	XC4543051	BOARD PRESSER					
125	XC9930051	FC JACK SUPPLY ASSY					
126	X51271001	NUT					
127	XZ0407051	ADJUST PLATE A					
128	XC8431051	ADJUST PLATE B					
129	XC9508051	USB PCB ASSY D6M					

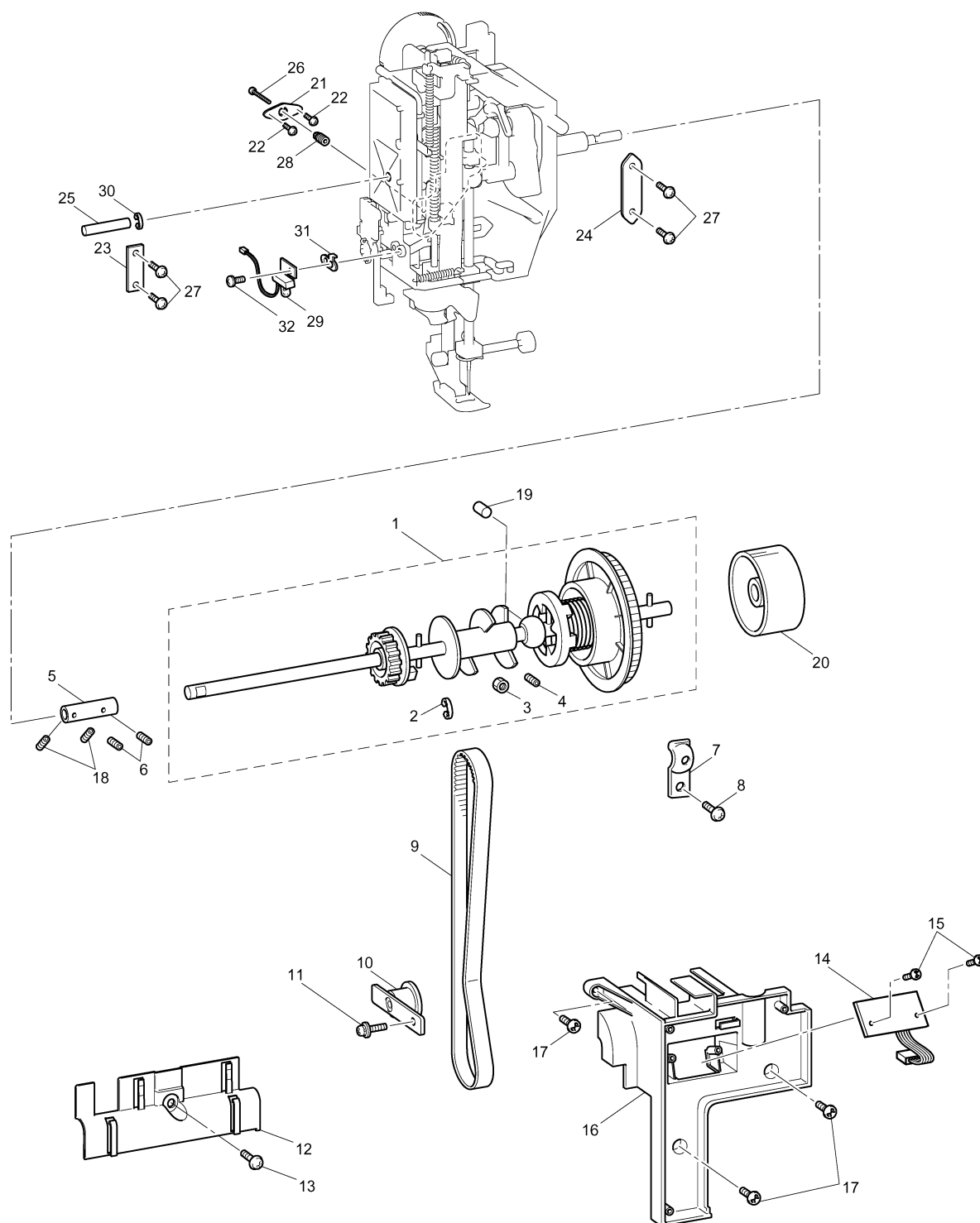
(1) PRINCIPAL PARTS



LCD SUPPLY ASSEMBLY



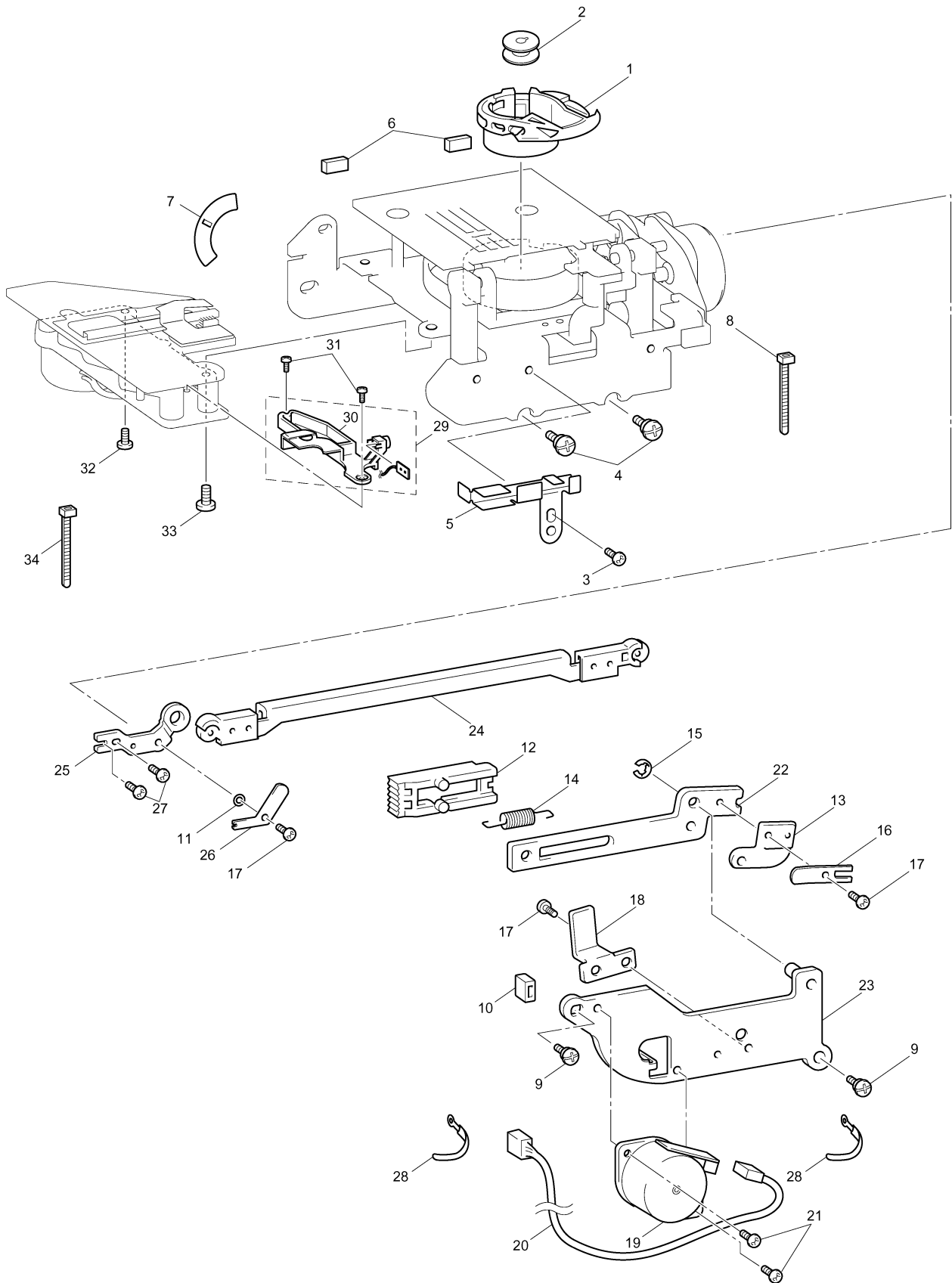
(2) UPPER SHAFT / NEEDLE BAR, PRESSER MECHANISM



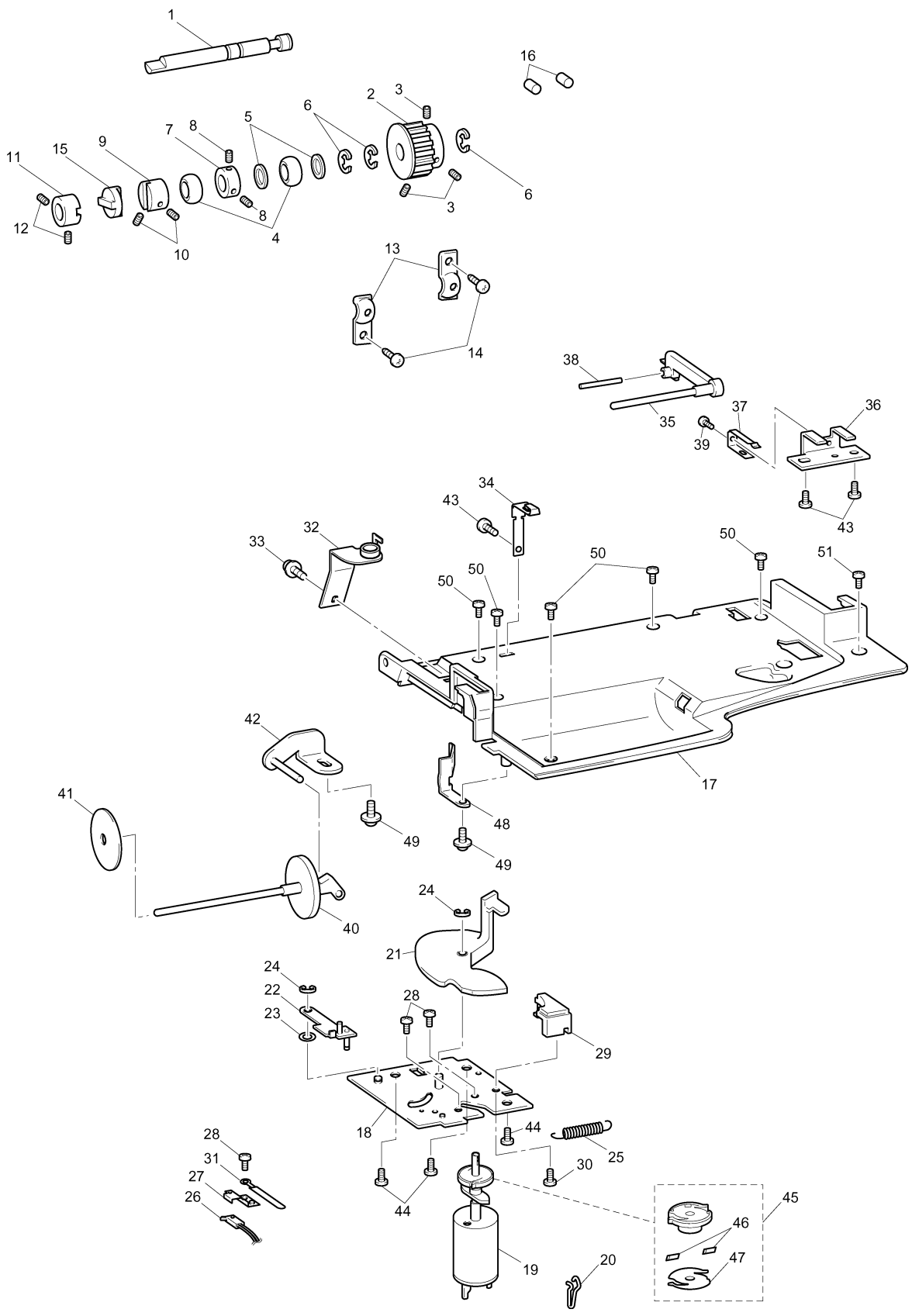
(3) FEED, ROTARY HOOK / SIDE FEED / THREAD CUTTING MECHANISM

No.	CODE	NAME	REMARKS	No.	CODE	NAME	REMARKS
FEED, ROTARY HOOK MECHANISM				THREAD CUTTING MECHANISM			
1	XC3153151	INNER ROTARY HOOK ASSY		29	XC8329151	PHOTO TRANSISTOR ASSY	
2	X52800150	BOBBIN		30	XC9199051	SENSOR HOLDER	
3	060300416	SCREW BIND M3X4		31	0A4300605	SCREW PAN (S/P WASHER) M3X6	
4	XC3096051	SCREW M4		32	060400516	SCREW BIND M4X5	
5	XC7876051	LEAD WIRE GUIDE HOLDER		33	060300516	SCREW BIND M3X5	
6	XZ0160051	SHEET		34	X53169050	BAND	
7	XC7878051	DROP COVER					
8	X53169050	BAND					
SIDE FEED MECHANISM							
9	X57908051	TAPTITE,BIND S M4X10					
10	XA2189050	RUBBER					
11	XA2401050	WASHER					
12	XA9506051	SIDE FEED GEAR					
13	XA9507050	SIDE FEED WASHER					
14	XA9508051	SPRING,EXTENSION					
15	048030346	RETAINING RING E3					
16	XA9514051	SPRING,PLATE A					
17	060300616	SCREW BIND M3X6					
18	XC0411051	S STOPPER					
19	XC8242051	ASSY:S PULSE MOTOR					
20	XC8243051	ASSY:SPM LEAD WIRE					
21	060300416	SCREW BIND M3X4					
22	XC6258051	SIDE FEED PLATE					
23	XC8418051	SPM HOLDER ASSY					
24	XC6259051	SIDE FEED ARM ASSY					
25	XC6263051	SIDE FEED ADJUST PLATE					
26	XC6264051	SPRING,PLATE B					
27	XA8390051	SCREW					
28	T31049001	COATING CLIP CS-6					

(3) FEED, ROTARY HOOK / SIDE FEED / THREAD CUTTING MECHANISM



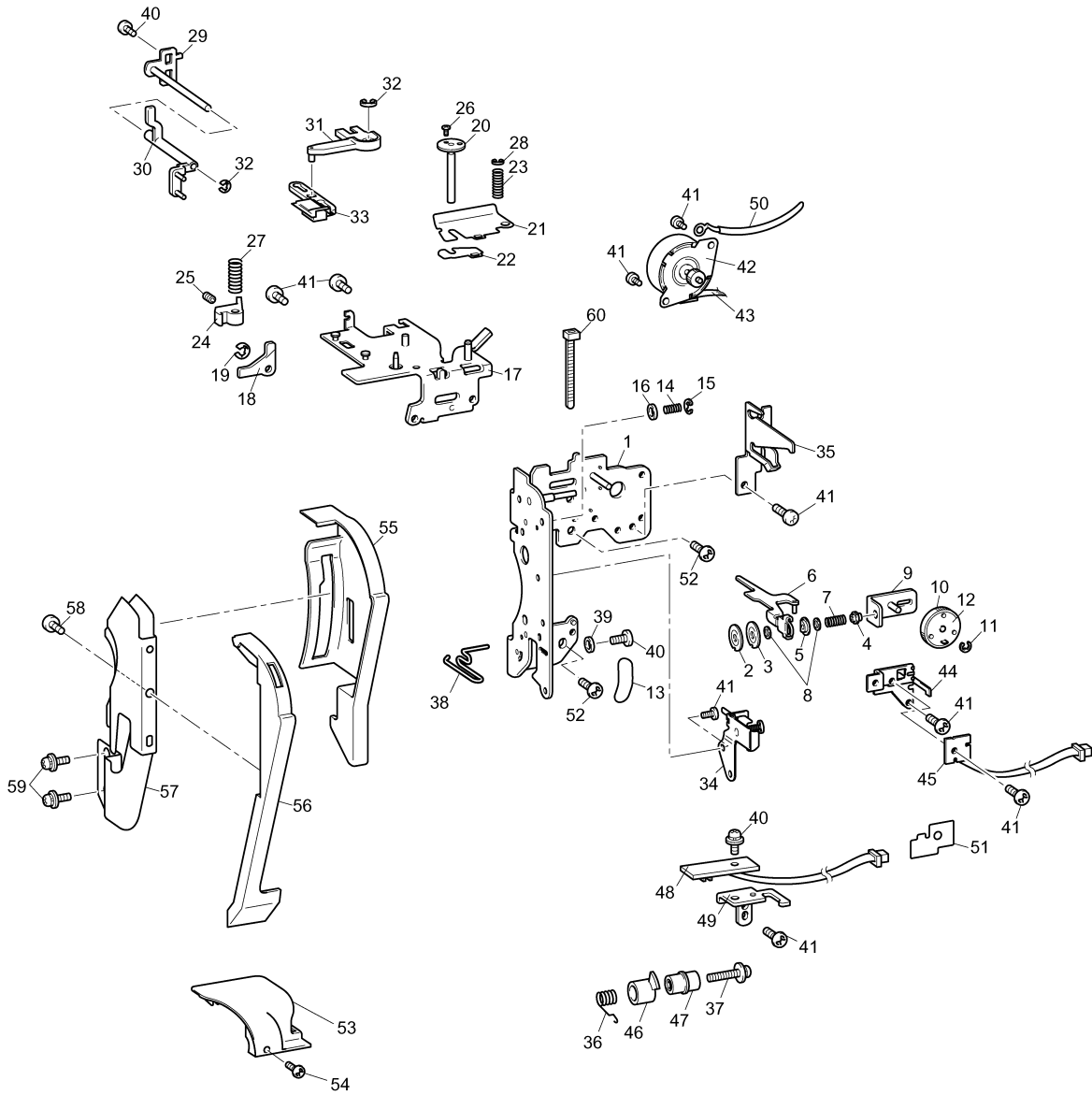
(4) ROTARY HOOK DRIVE / BOBBIN WINDER MECHANISM



(5) THREAD GUIDE MECHANISM

No.	CODE	NAME	REMARKS	No.	CODE	NAME	REMARKS
1	XC9442151	THREAD GUARD ASSEMBLY		45	XC8260051	ASSY:AT INIT PCB	
2	XA0083051	TENSION DISC A		46	X58316051	THREAD CUTTING SHUTTER	
3	XC2626051	TENSION DISC B		47	XA9585151	THREAD CATCHING SPRING CASE	
4	XC3437051	TENSION ADJUSTING SCREW		48	XC8262051	ASSY:UPTHREAD PCB	
5	XA1388051	TENSION DISC WASHER		49	XC7934051	THREAD SENSOR HOLDER	
6	XC9444051	DISK WASHER HOLDER		50	137947001	CLIP	
7	XA9900051	THREAD TENSION SPRING		51	XC9271051	INSULATION SHEET FOR TGPM	
8	XD0573051	WASHER		52	085411015	TAPTITE BIND B M4X10	
9	XA9562051	TENSION PLATE ASSY		53	XC9458152	FRONT THREAD GUARD COVER	
10	XC7922050	THREAD TENSION CAM		54	0A5300606	SCREW PAN (S/P WASHER) M3X6	
11	048030346	RETAINING RING E3		55	XC9460151	THREAD GUIDE COVER	
12	XC7923051	THREAD TENSION GEAR COVER		56	XC9463051	THREAD GUIDE COVER	
13	XA9935050	SPRING TAPE		57	XC9466151	THREAD GUIDE	
14	X57605051	SPRING		58	138433051	TAPTITE,PAN B M3X6	
15	048020346	RETAINING RING E2		59	052300606	SCREW, PAN (S/P WASHER) M3X6	
16	026030136	WASHER PLAIN S 3		60	X53169050	BAND	
17	XC9446051	TENSION RELEASE HOLDER ASSY					
18	XA9571051	TENSION RELEASER LINK					
19	048030346	RETAINING RING E3					
20	XC2638051	TENSION PRESSURE ASSY					
21	XC9115051	TENSION PLATE					
22	XC7927051	SPACER					
23	XA9577051	SPRING					
24	XC2640051	TENSION RELEASE CAM					
25	012300432	SET SCREW SOCKET (FT) M3X4					
26	X57363051	POWER LOCK 2X3					
27	X57605051	SPRING					
28	048020346	RETAINING RING E2					
29	XC9450051	LINK A SHAFT PLATE ASSY					
30	XC9453051	THREAD GUIDE SHUTTER LINK A					
31	XC9454051	THREAD GUIDE SHUTTER LINK B					
32	048030346	RETAINING RING E3					
33	XC9456151	THREAD GUIDE SHUTTER					
34	XC2644051	PLATE ASSEMBLY					
35	XC7928051	THREAD GUIDE					
36	XZ0386051	THREAD TAKE UP SPRING					
37	0A4301806	SCREW, PAN (S/P WASHE) M3X18					
38	XC7931050	THREAD GUIDE WIRE					
39	XA9996051	WASHER,PLAIN					
40	XC7564051	SCREW, PAN(S/P WASHER)M3X6					
41	060300416	SCREW BIND M3X4					
42	XC8258051	ASSY:AT PULSE MOTOR					
43	XC9515051	LEAD WIRE ASSY ATPM D6M					
44	XC7933051	ATPM SENSOR PLATE					

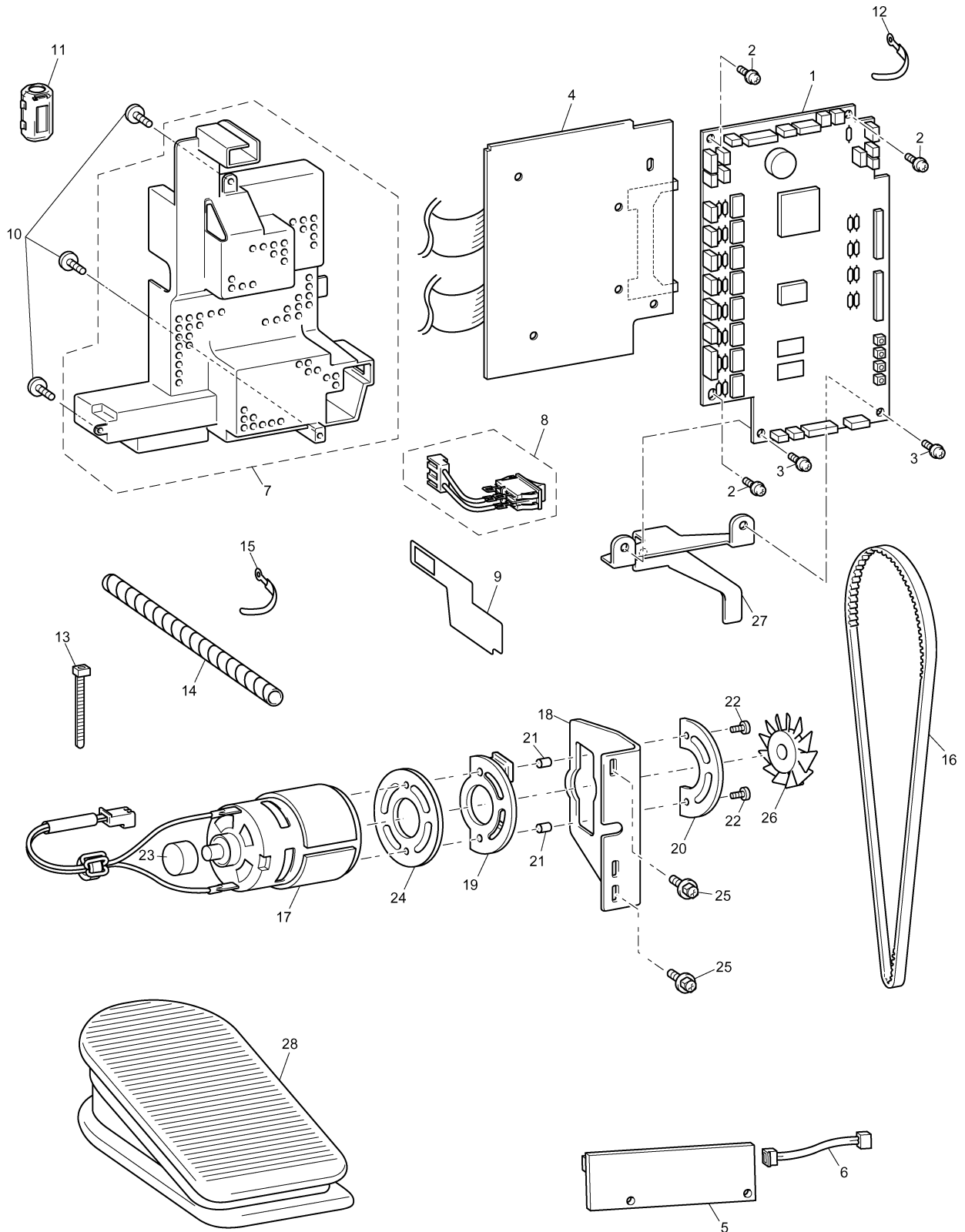
(5) THREAD GUIDE MECHANISM



(6) ELECTRONIC PARTS / MOTOR UNIT

No.	CODE	NAME	REMARKS	No.	CODE	NAME	REMARKS
ELECTRONIC PARTS				MOTOR UNIT			
1	XD0737051	MAIN PCB SUPPLY ASSY		16	XA9644050	T BELT	
2	136681051	TAPTITE, BIND B M3X8		17	XC8294051	ASSY:MAIN MOTOR	
3	060300616	SCREW BIND M3X6		18	XC8027051	MOTOR HOLDER	
4	XC9935151	CARD PCB SUPPLY ASSY		19	XA9649050	FENDER RUBBER	
5	XC9531051	INVERTER:ECXF6034M		20	XA9650051	MOTOR SPACER PRESSER	
6	XC9532051	LEAD WIRE ASSY INVERTER D6M		21	XC0443051	SPACER 4X7	
7	XC9533051	POWER SUPPLY UNIT 100V D6M (U.S.A., CAN)		22	052401605	SCREW, PAN (S/P WASHER) M4X16	
	XD0294051	POWER SUPPLY UNIT 230V D6M (OTHER)		23	XC6481051	MOTOR CAP	
8	XC7630051	ASSY:POWER SWITCH D6		24	XC5763051	MOTOR HOLDER SPACER	
9	XZ0389051	INSULATOR SHEET S		25	XA8474051	UPSET 4X12 DB	
10	XC7568051	SCREW, PAN(S/P WASHER)M4X14		26	XA9652150	MOTOR FAN	
11	XC8902051	FERRITE CORE:E04SR200935A		27	XC9467051	MAIN PCB FIXED PLATE	
12	137947001	CLIP		28	XC8816021	FOOT CONTROLLER:FC-322-81-LF (U.S.A., CAN, RUS, SIN, AUS)	
13	X53169050	BAND			XD0501021	FOOT CONTROLLER:FC-322-LF-EU (GER, U.K., FRA, SPA, ITA, SWI)	
14	XC5069051	SPIRAL TUBE A					
15	T31049001	COATING CLIP CS-6					

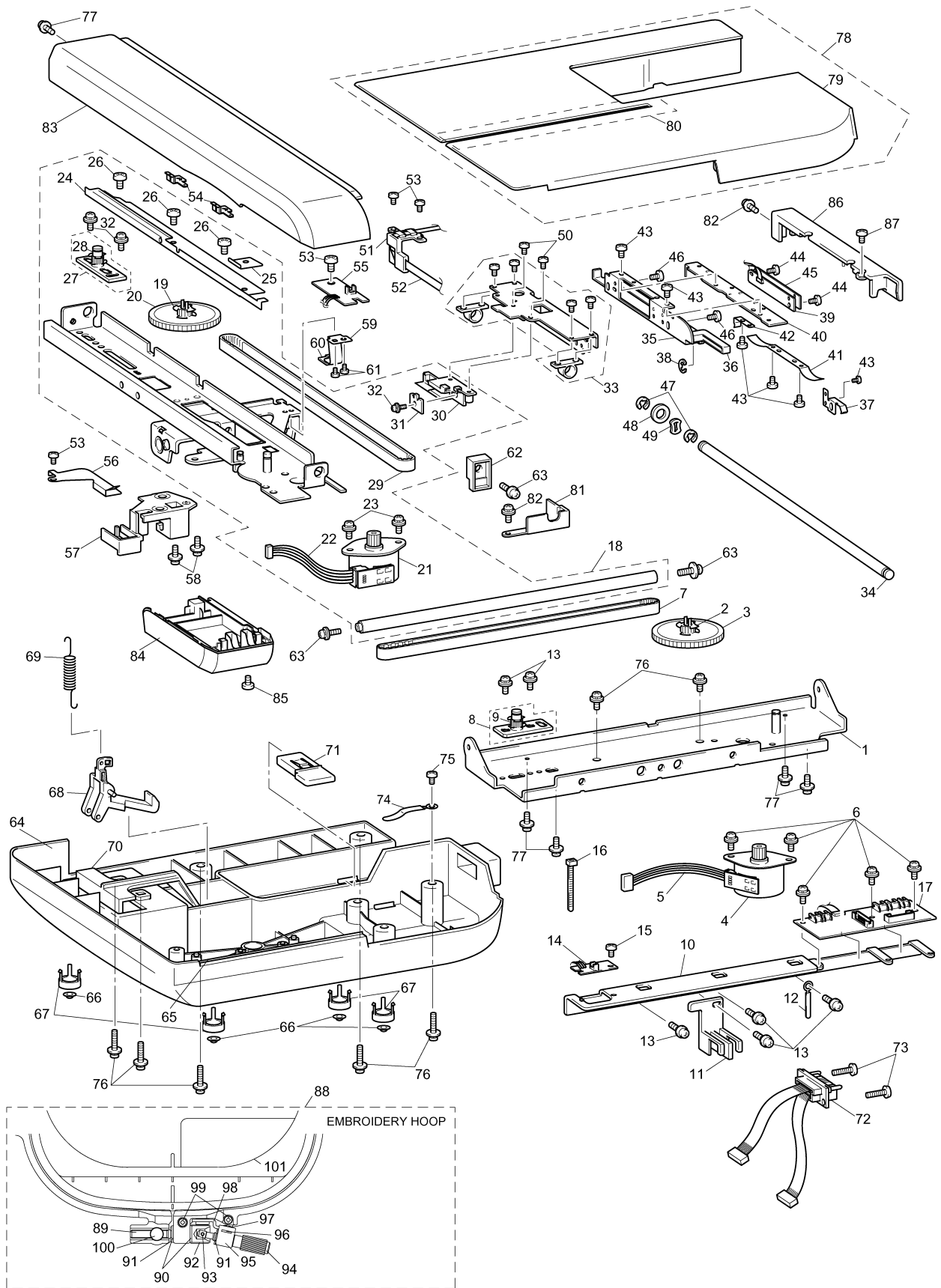
(6) ELECTRONIC PARTS / MOTOR UNIT



(7) EMBROIDERY UNIT

No.	CODE	NAME	REMARKS	No.	CODE	NAME	REMARKS
1	XC8035051	MAIN FRAME SUD ASSY		45	XC8859051	INSULATOR SHEET	
2	XC8038050	DRIVING PULLEY		46	060400616	SCREW BIND M4X6	
3	XC8039050	DRIVING GEAR		47	XC8080051	STOP RING 10.69	
4	XC8298051	ASSY:XY PULSE MOTOR		48	XC8081051	WASHER	
5	XC8299051	ASSY:XPM LEAD WIRE		49	XC8082050	WASHER,SPRING 12	
6	XA8390051	SCREW		50	085301017	TAPTITE BIND P M3X10	
7	XC8041051	TIMING BELT 40S2M530		51	XC8084050	FFC SUPPORT	
8	XC8042051	TENSION PULLEY ASSY		52	XC8310051	FLEXIBLE FLAT CABLE:SML2CD-6	
9	XC8045050	TENSION PULLEY		53	060300616	SCREW BIND M3X6	
10	XC8046051	X GUIDE PLATE		54	XC8085050	CORD CLIP	
11	XC8047050	E CODE SUPPORTER		55	XC8311051	ASSY:Y SENSOR PCB	
12	T31049001	COATING CLIP CS-6		56	XC8086050	CODE GRIP	
13	XC7566051	SCREW, PAN(S/P WASHER)M4X8		57	XC8087051	X SLIDER	
14	XC8300051	ASSY:X SENSOR PCB		58	XC7566051	SCREW, PAN(S/P WASHER)M4X8	
15	060300616	SCREW BIND M3X6		59	XC8898051	X GUIDE SHAFT PRESSER PLATE	
16	X53169050	BAND		60	XC8899050	X GUIDE SHAFT PRESSER	
17	XC9539051	EMB RELAY PCB ASSY D6M		61	060300416	CREW BIND M3X4	
18	XC9473051	X CARRIAGE UNIT		62	XC8088051	X BELT PRESSER	
19	XC8038050	DRIVING PULLEY		63	XC7566051	SCREW, PAN(S/P WASHER)M4X8	
20	XC8039050	DRIVING GEAR		64	XC7697051	ES BASE COVER	
21	XC8298051	ASSY:XY PULSE MOTOR		65	XC8093051	GROOVE COVER	
22	XC8306051	ASSY:YPM LEAD WIRE		66	X59853050	RUBBER CUSHION	
23	XA8390051	SCREW		67	XC8094051	RUBBER CUSHION COVER	
24	XC9478050	FFC CODE GUIDE		68	XC8095051	LOCK FINGER	
25	XC8586050	FFC CODE SUPPORTER		69	XC8096051	SPRING	
26	060300616	SCREW BIND M3X6		70	XC8097051	LOCK RELEASE LEVER	
27	XC8042051	TENSION PULLEY ASSY		71	XC9486051	DROP TRIGGER	
28	XC8045050	TENSION PULLEY		72	XC9540051	LEAD WIRE ASSY EMB UNIT D6M	
29	XC9479051	TIMING BELT 40S2M660		73	085301615	TAPTITE BIND P M3X16	
30	XC8061051	Y SLIDER		74	T31049001	COATING CLIP CS-6	
31	XC8062051	YT BELT PRESSER PLATE		75	085300815	TAPTITE BIND P M3X8	
32	XC7566051	SCREW, PAN(S/P WASHER)M4X8		76	087411416	TAPTITE CUP B M4X14	
33	XC8065051	Y CARRIAGE ASSY		77	XC7566051	SCREW, PAN(S/P WASHER)M4X8	
34	XC9482051	Y GUIDE SHAFT		78	XC9487052	ES MAIN COVER ASSY	
35	XC8070151	E HOOP STAY PLATE SUB ASSY		79	XC9488052	ES MAIN COVER	
36	XC8074051	E HOOP LOCK LEVER		80	XC8093051	GROOVE COVER	
37	XC8075051	E HOOP LOCK LEVER SPRING		81	XC8112051	XC SUB COVER	
38	048040346	RETAINING RING E4		82	XA8390051	SCREW	
39	XC8307051	ASSY:FRAME PCB		83	XC9490052	X CARRIAGE COVER	
40	XC8076051	E HOOP PRESSURE PLATE		84	XC9492051	YPM COVER	
41	XC8077051	E HOOP PRESSURE SPRING A		85	085301017	TAPTITE BIND P M3X10	
42	XC8079051	E HOOP PRESSURE SPRING C		86	XC8089051	E HOOP STAY COVER	
43	060300416	SCREW BIND M3X4		87	060300416	SCREW BIND M3X4	
44	XA8390051	SCREW		88	XC8137051	EMBROIDERY HOOP ASSY 130D6	

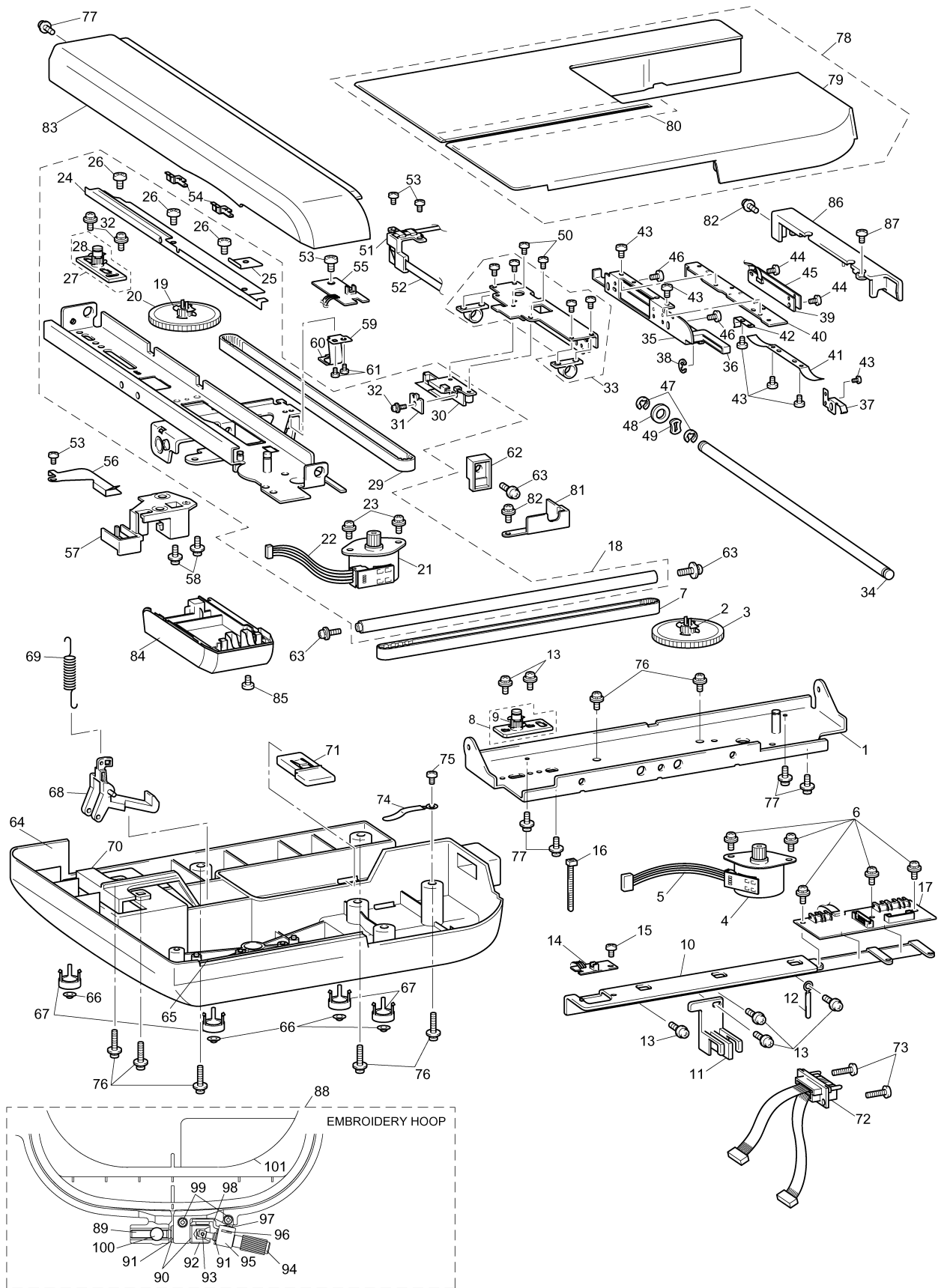
(7) EMBROIDERY UNIT



(7) EMBROIDERY UNIT

No.	CODE	NAME	REMARKS
89	XC8118051	THUMB SCREW	
90	026050136	WASHER PLAIN S 5	
91	048040346	RETAINING RING E4	
92	XC8119051	RING	
93	XC8120051	KNOB PIN	
94	XC8121051	KNOB SHAFT	
95	XC8122051	KNOB HOLDER	
96	XC8123051	KNOB FIXED PLATE	
97	060260316	SCREW BIND M2.6X3	
98	XC8124051	HOLDER ASSY	
99	0A4260806	SCREW PAN (S/P WASHER) M2.6X8	
100	XC8129051	OUTER HOOP NUT	
101	XC8359051	EMBROIDERY SHEET 130D6 ASSY	
	XC8151051	CARRIAGE PAD A D	
	X60439151	BAG,630X630T	
	XC9625151	ES OVER UNIT POLYSTYRENE	
	XC9626151	ES UNDER UNIT POLYSTYRENE	
	XC9627151	EMBROIDERY CARTON D	
	XC9628051	HANDLE	
	XC8890050	HANDLE PLATE	
	XC9468161	EMBROIDERY UNIT ASSEMBLY (SUPPLY ASSY)	

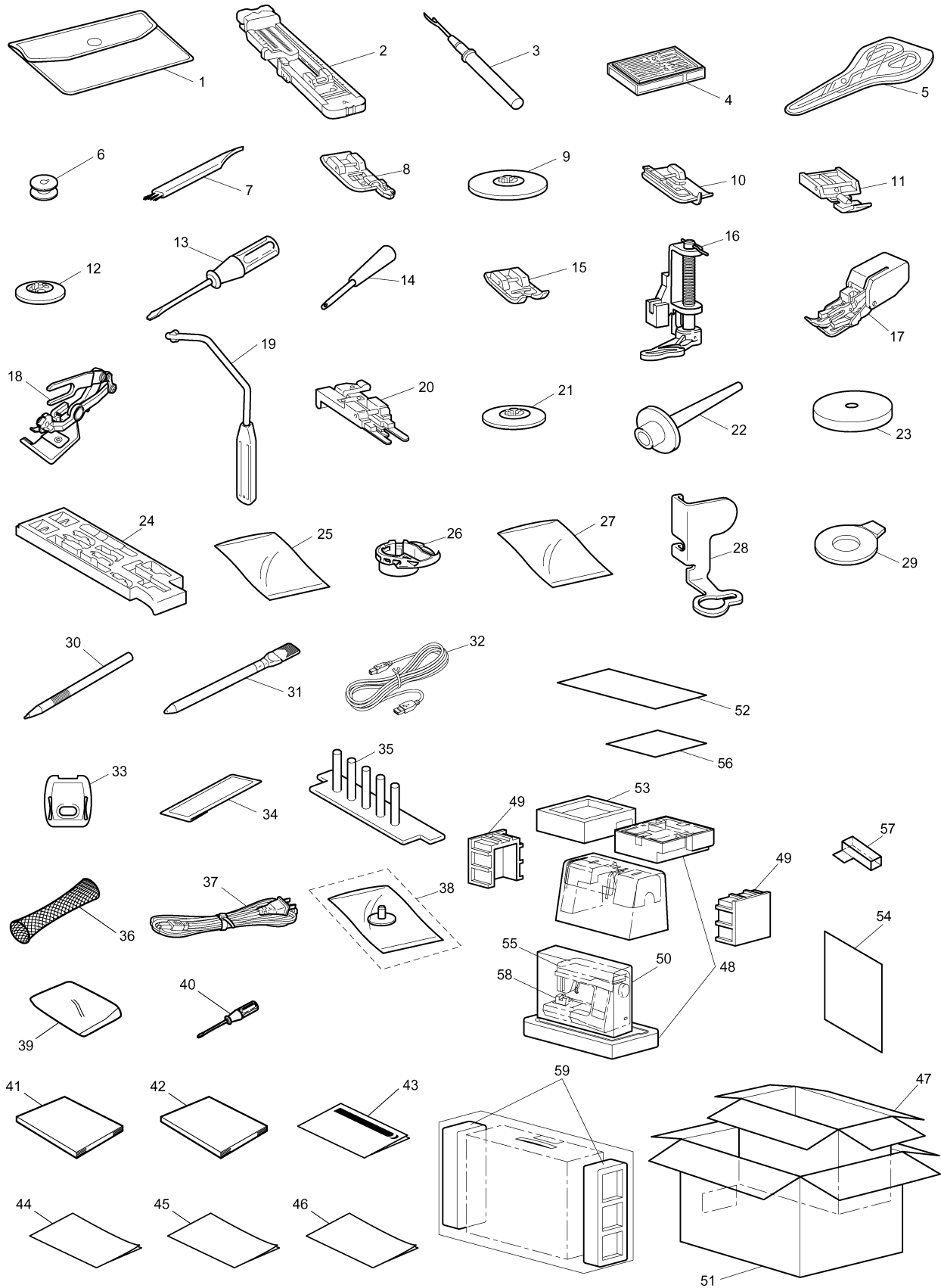
(7) EMBROIDERY UNIT



(8) ATTACHMENTS / PACKING MATERIALS / PRINTED MATTER

No.	CODE	NAME	REMARKS	No.	CODE	NAME	REMARKS
ATTACHMENTS				PRINTED MATTER			
1	XC4487051	ACCESSORY BAG		39	XZ0126051	BAG,140X150C	
2	X57789151	BH PRESSER FOOT		40	X55468051	SCREW DRIVER S	
3	X54243051	SEAM RIPPER		PRINTED MATTER			
4	X58358051	Z NEEDLE ASSY		41	XD0550051	INSTRUCTION BOOK ENG	
5	XC1807121	SCISSORS			XD0551051	INSTRUCTION BOOK FRA	
6	X52800150	BOBBIN			XD0552051	INSTRUCTION BOOK GER	
7	X59476051	CLEANING BRUSH			XD0553051	INSTRUCTION BOOK DUT	
8	XC3098051	OVERCASTING STITCH FOOT ASSY			XD0554051	INSTRUCTION BOOK SPA	
9	130012054	SPOOL PRESSER A			XD0555051	INSTRUCTION BOOK ITA	
10	X56409051	BLIND STITCH FOOT ASSY			XD0823051	INSTRUCTION BOOK RUS	
11	X59370051	ZIPPER FOOT		42	XD0537051	INSTRUCTION BOOK:DISNEY (NV1500D)	
12	130013154	SPOOL PRESSER B		43	XD0556051	QUICK REFERENCE GUIDE	
13	X55467051	SCREW DRIVER		44	XC8945051	WARRANTY CARD T (U.S.A.)	
14	135793001	PUNCH			UH3851001	WARRANTY CARD EUR (GER, U.K., FRA, ITA, SWI)	
15	X53840351	TRANSPARENCY PRESSER FOOT			XC6402051	WARRANTY CARD UK (U.K.)	
16	XA4322001	QUILTING FOOT			XA6351151	WARRANTY CARD (ITA)	
17	X59816103	WALKING FOOT ASSEMBLY		45	XC7460051	ACCESSORY LEAFLET	
18	XC3198001	SIDE CUTTER ASSY		46	XD0231051	G.LEAFLET 13 (U.S.A., CAN)	
19	XA6941052	KNEE LIFTER LEVER ASSY			X81264051	G.LEAFLET NO.24 (OTHER)	
20	130489001	BUTTONING FOOT			XD0576051	EMBROIDERY THREAD CATALOG (U.S.A., CAN)	
21	X55260153	SPOOL PRESSER C			XC1625051	BOUTIQUE INSERTION (U.S.A., CAN)	
22	XC8619051	EXTRA SPOOL PIN			181401172	INSERTION WARRANTY COUPON (CAN)	
23	X57045051	SPOOL FELT			XD0256021	INSERTION WEEE (GER, U.K., FRA, SPA, ITA, SWI)	
24	XC4489051	ACCESSORY TRAY			XD0794051	SHEET OF LANGUAGE SETTING D6M (Except U.S.A., SIN, AUS)	
25	XA0188050	BAG			XC9583151	ACC LEAFLET INSERTION D6MID	050220
26	XC8167251	INNER ROTARY HOOK ASSY	050212	PACKING MATERIALS			
27	XC6909050	PE BAG 90X100		47	XC8175050	CARTON	
28	XD0313051	U PRESSER FOOT		48	XC8176350	POLYSTYRENE FOAM PAD ASSY,BODY	
29	XC1074051	NEEDLE PLATE FIXING METAL		49	XC8179150	POLYSTYRENE FOAM PAD ASSY,CASE	
30	XA9940051	TOUCH PEN		50	XC8535051	BAG,800X600T	
31	184944001	CHALK PEN		51	XD0558051	CARTON	
32	XD0745051	USB I/F CORE CABLE		52	XZ0409050	PAD D	
33	XA9939051	NEEDLE PLATE COVER		53	XC9562250	OVER CARTON POLYSTYRENE B	
34	X59296151	TWIN NEEDLE (1PC)		54	XZ0400150	SIDE PAD D	
35	XC9399051	BOBBIN HOLDER		55	XZ0402050	SHEET,150X530	
36	XA5523050	NET		56	XZ0393050	PAD D MIDDLE	
37	XC6052051	POWER SUPPLY CORD:UL CSA-LF (U.S.A, CAN, CHILE)		57	XC8617050	CORD PAD D	
	XA0070151	POWER SUPPLY CORD (OTHER)		58	XC4762150	THREADER SUPPORT SF	
	X59354151	POWER SUPPLY CORD -BS (U.K.)		59	XC9671350	POLYSTYRENE FOAM PAD,ES	
	XC9548051	POWER SUPPLY CORD:SAA-LF (AUS)					
38	XC8661151	BOBBIN GUIDE SET (U.S.A.)					
	XD0897051	BOBBIN GUIDE SET (CAN)					

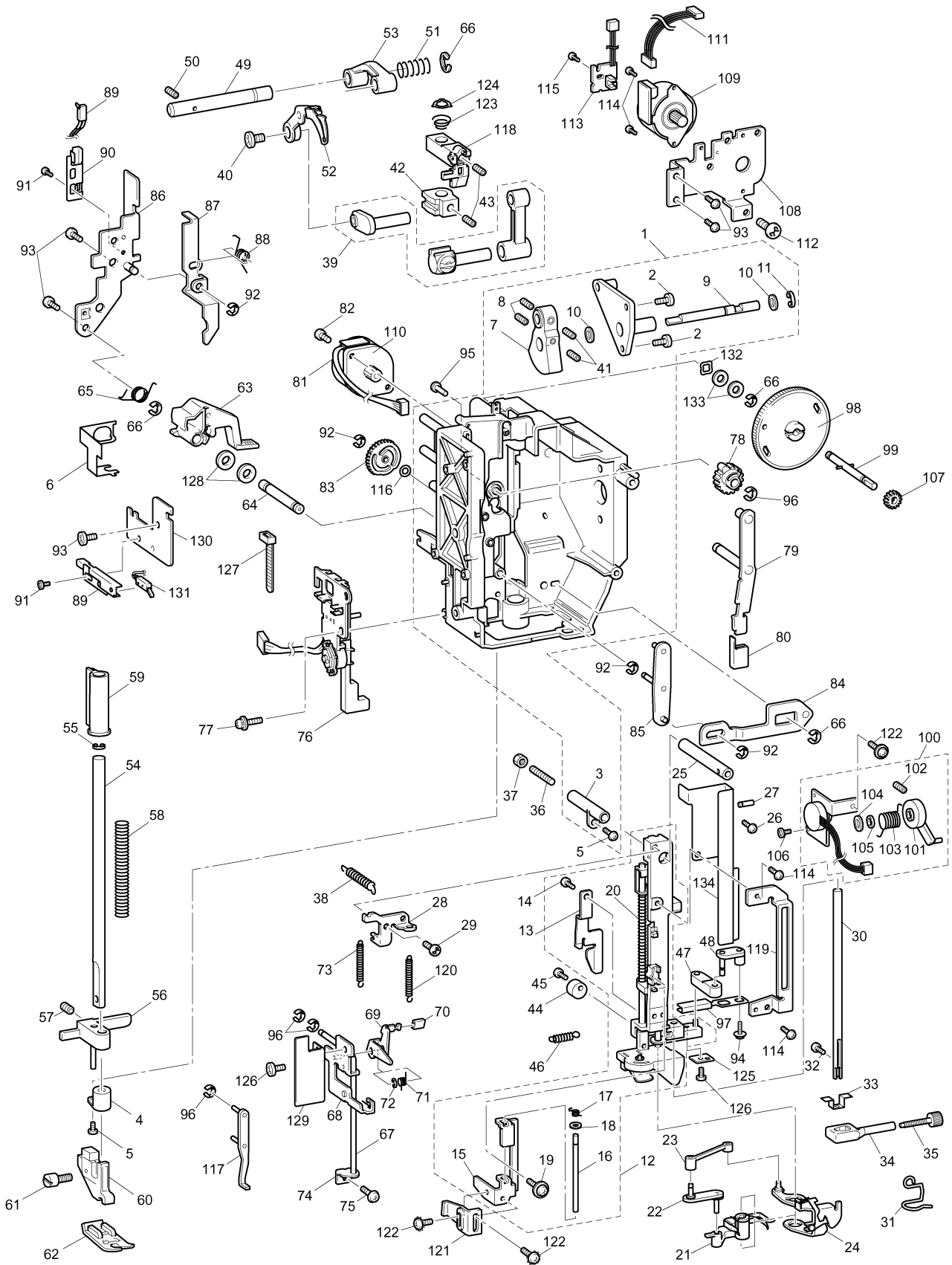
(8) ATTACHMENTS / PACKING MATERIALS / PRINTED MATTER



NEEDLE-PRESSER MODULE

No.	CODE	NAME	REMARKS	No.	CODE	NAME	REMARKS
1	XC8275051	UPPER SHAFT HOLDER ASSY		45	018301032	BOLT SOCKET M3X10	
2	XC7568051	SCREW, PAN(S/P WASHER)M4X14		46	XC2748021	SPRING-Z	
3	XC2398020	SHAFT BUSHING A		47	XC7802051	NEEDLE HOLDER BROCK	
4	XC2399021	PRESSER BAR BUSHING		48	XC2437021	SHAFT ASSY	
5	136681051	TAPTITE, BIND B M3X8		49	XC8374051	SHAFT	
6	XC5362050	PLATE SPRING		50	014300532	SET SCREW SOCKET (CP) M3X5	
7	XC7784051	THREAD TAKE-UP COUNTER WEIGHT		51	XC2441021	SPRING	
8	012500532	SET SCREW SOCKET (FT) M5X5		52	XC6239051	THREAD TAKE-UP LEVER ASSY	
9	XC7785051	UNIT SHAFT		53	XC2443020	THREAD TAKE-UP LEVER LINK	
10	131976050	WASHER,THRUST		54	XC7806051	PRESSER BAR	
11	048080346	RETAINING RING E8		55	048050346	RETAINING RING E5	
12	XC9415051	NEEDLE BAR SUPPORTER ASSY		56	XC7807051	PRESSER BAR CLAMP ASSY	
13	XC9422051	HOOK RELEASE PLATE		57	014501032	SET SCREW SOCKET (CP) M5X10	
14	060260516	SCREW BIND M2.6X5		58	XC7810051	SPRING	
15	XC3446051	RELEASE LEVER		59	XC7811050	PRESSER FOOT RACK	
16	XC3447051	RELEASE LEVER SHAFT		60	XC3015051	PRESSER FEED HOLDER ASSY	
17	XC3448051	RELEASE LEVER SPRING		61	XA4813051	SCREW	
18	137977051	POLYESTER SLIDER		62	XC3021051	Z FOOT	
19	0A2300606	SCREW PAN (P WASHER) M3X6		63	XC7812051	PRESSER FOOT LIFTER	
20	XC2417021	SPRING		64	XC2452021	PRESSER LIFT SHAFT	
21	XA5838051	THREADER HOOK ASSY		65	XC7813051	SPRING	
22	XA3565021	LINK A ASSY		66	048040346	RETAINING RING E4	
23	XA3569021	LINK B		67	XC2453051	LEVER GUIDE SHAFT	
24	XC9613051	THREAD GUIDE ASSY		68	XC9427051	LEVER A ASSY	
25	XC2419021	SHAFT		69	XC9430051	LEVER B	
26	000020415	SCREW BIND M2X4		70	XC9618051	CAP	
27	XC2420050	SHAFT		71	XC9431051	TORSION SPRING	
28	XC2421121	PLATE		72	048025346	RETAINING RING E2.5	
29	060300516	SCREW BIND M3X5		73	XC2461021	SPRING	
30	XC7799051	NEEDLE BAR		74	XC7817051	LEVER SUPPORTER PLATE	
31	XC2424021	NEEDLE BAR THREAD GUIDE		75	138433051	TAPTITE,PAN B M3X6	
32	X53053052	SCREW SM2.38		76	XC7787051	BH SWITCH ASSY	
33	XC2426020	NEEDLE THREAD PLATE		77	XZ0149051	TAPTITE,PAN B 4X12	
34	XC2427051	NEEDLE BLOCK		78	XC7818150	Z ZIGZAG CAM	
35	XZ0388051	NEEDLE CLAMP SCREW		79	XC7819051	Z ZIGZAG LEVER ASSY	
36	014401232	SET SCREW SOCKET (CP) M4X12		80	XC2480020	Z LEVER CUP	
37	X56851051	LOCK NUT		81	XC9547051	LEAD WIRE ASSY ZPM D6M	
38	XC2429021	SPRING		82	X59629051	TAPTITE,BIND B M3X10	
39	XC6300151	NEEDLE BAR CRANK ROD ASSY		83	XC2483020	T CAM	
40	132051052	SCREW, FLAT SM3.57-40X7 L		84	XC7822051	TENSION RELEASE ROD ASSY	
41	012500532	SET SCREW SOCKET (FT) M5X5		85	XC5985051	THREAD RELEASE LEVER ASSY D6	
42	XC2434021	NEEDLE THREAD BLOCK		86	XC9432051	ADJUSTING PLATE ASSY	
43	012400432	SET SCREW SOCKET (FT) M4X4		87	XC9434051	SWITCH LEVER	
44	XC2435020	ZIGZAG ADJUSTING NUT		88	XC9435051	SPRING	

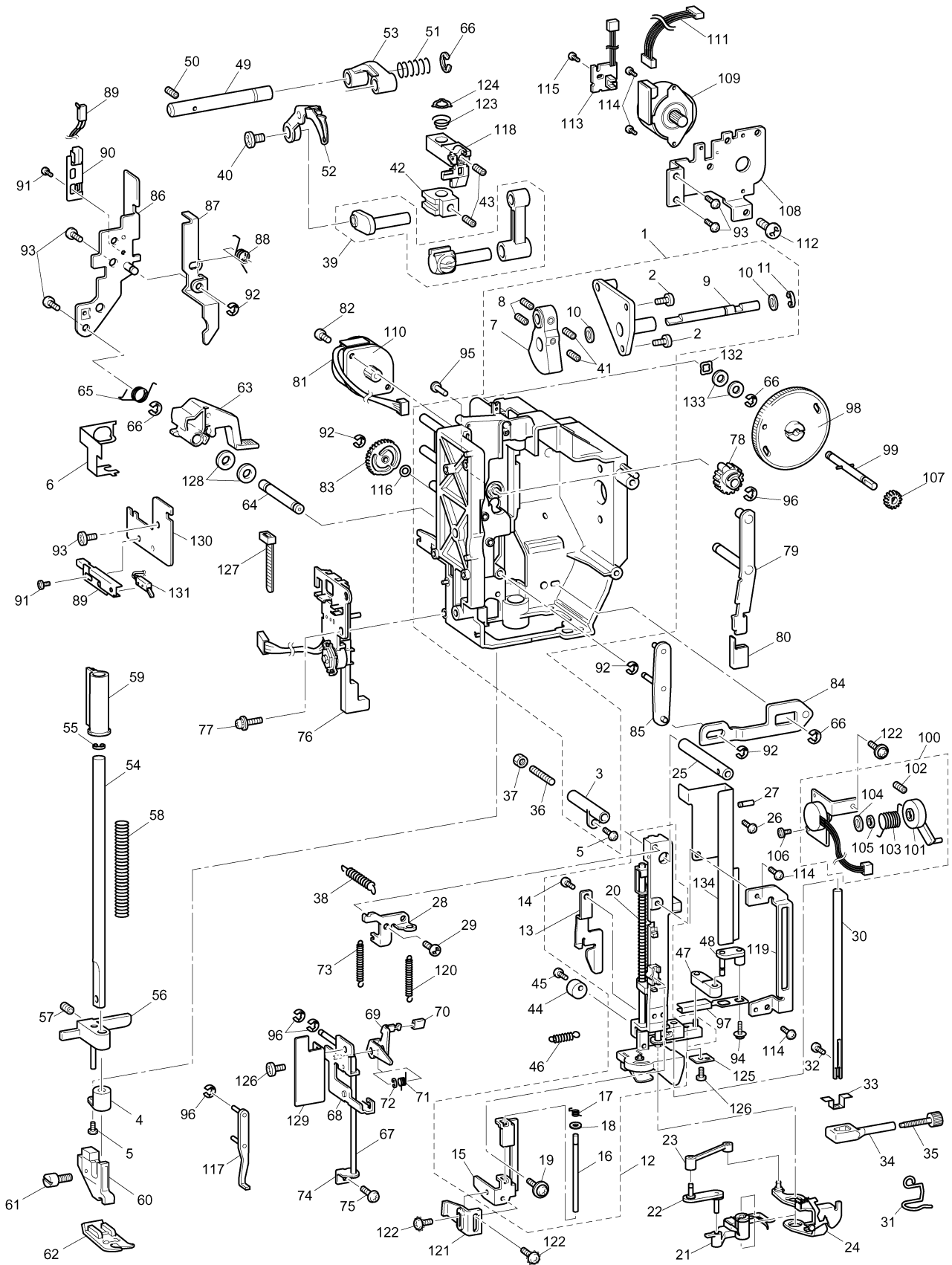
NEEDLE-PRESSER MODULE



NEEDLE-PRESSER MODULE

No.	CODE	NAME	REMARKS	No.	CODE	NAME	REMARKS
89	XC2641051	PRESSER SWITCH HOLDER		133	XA0362051	WASHER	
90	XC9514051	PF SWITCH ASSY D6M		134	XD0604050	SPRING GUARD	
91	060300416	SCREW BIND M3X4					
92	048030346	RETAINING RING E3			XC9931151	NEEDLE UNIT SUPPLY ASSY (OTHER)	
93	085411015	TAPTITE BIND B M4X10			XC9931152	NEEDLE UNIT SUPPLY ASSY (U.S.A., CAN)	
94	XC3037051	SCREW3X10					
95	XC2475051	SHAFT					
96	048020346	RETAINING RING E2					
97	XC9436051	THREAD GUIDE PLATE					
98	XC7827051	PRESSER DIAL					
99	XC8372051	PRESSER DIAL SHAFT ASSY					
100	XC7828051	PT HOLDER ASSEMBLY					
101	XA6493051	PT LEVER					
102	012300632	SET SCREW SOCKET (FT) M3X6					
103	XA1894051	SPRING					
104	026060235	WASHER PLAIN M 6					
105	X52569001	NUT					
106	136681051	TAPTITE, BIND B M3X8					
107	XC7830050	PRESSER DIAL GEAR					
108	XC7831151	PRESSER PM HOLDER					
109	XC8228051	ASSY:PF PULSE MOTOR					
110	XC8678051	ZPM INSULATION ASSY					
111	XC9512051	LEAD WIRE ASSY PFPM D6M					
112	060400616	SCREW BIND M4X6					
113	XC8230051	ASSY:ATPF INIT PCB					
114	060300616	SCREW BIND M3X6					
115	XC7644051	SCREW, PAM (S/P WASHER) M3X5					
116	XZ0155051	POLYESTER SLIDER					
117	XC6241151	RELEASE PLATE ASSY					
118	XC6245051	NEEDLE BAR HOOK STAND ASSY					
119	XC6251051	RELEASE GUIDE PLATE					
120	XC6252051	SPRING					
121	XC6253050	RELEASE ADJUSTER					
122	XC4433051	SCREW,PAN(T WASHER)M3X6					
123	XC6254051	NEEDLE BAR PRESSER SPRING					
124	XC6255050	WASHER, THRUST					
125	XC7832051	ADJUST PLATE					
126	060260516	SCREW BIND M2.6X5					
127	X53169050	BAND					
128	XA1860150	WASHER					
129	XC9437051	NEEDLE THREADER SWITCH LEVER					
130	XC9438051	SWITCH BASE PLATE					
131	XC9513051	THREADER LEVER SWITCH ASSY					
132	103810052	WASHER, WAVE SPRING					

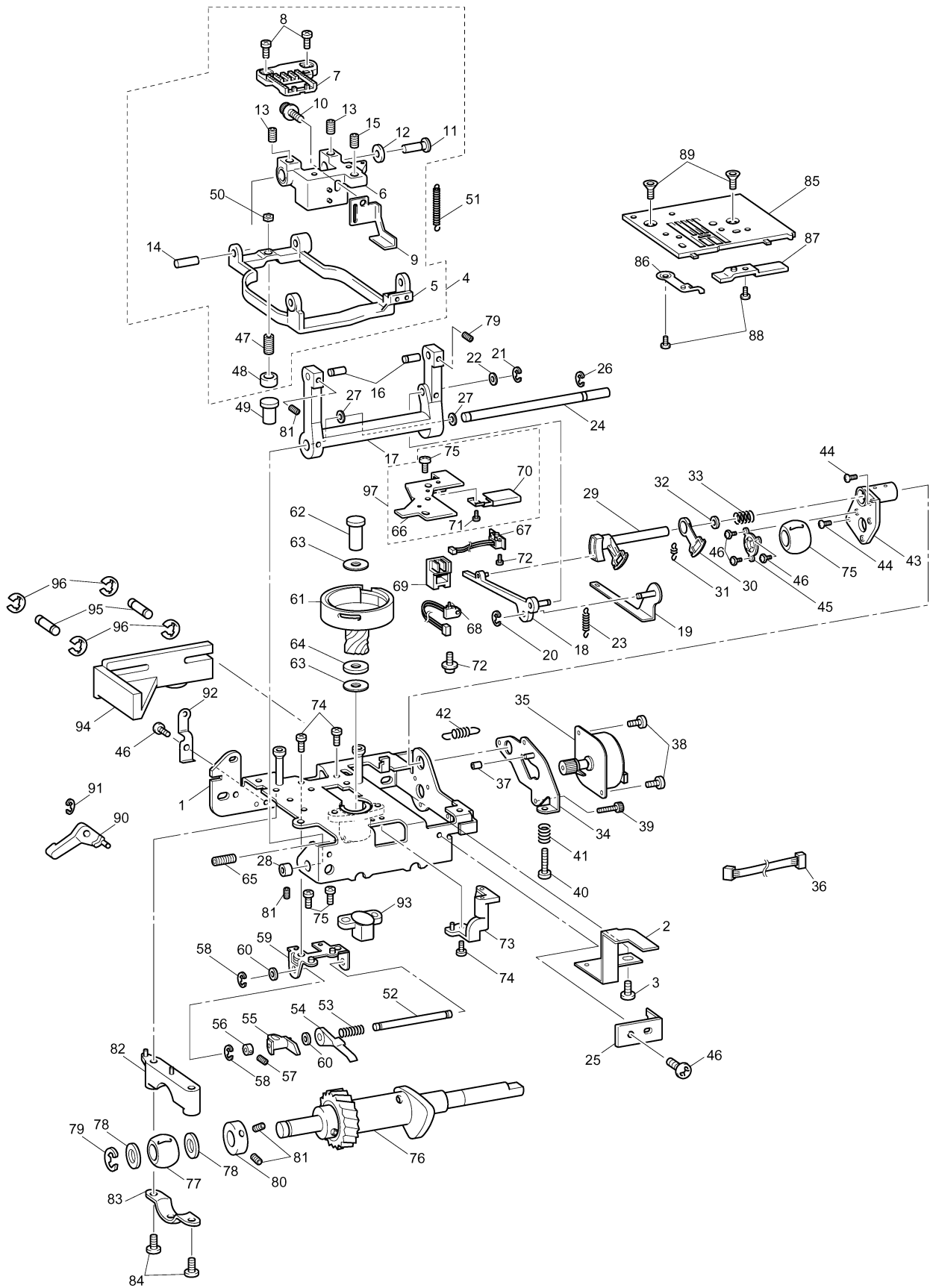
NEEDLE-PRESSER MODULE



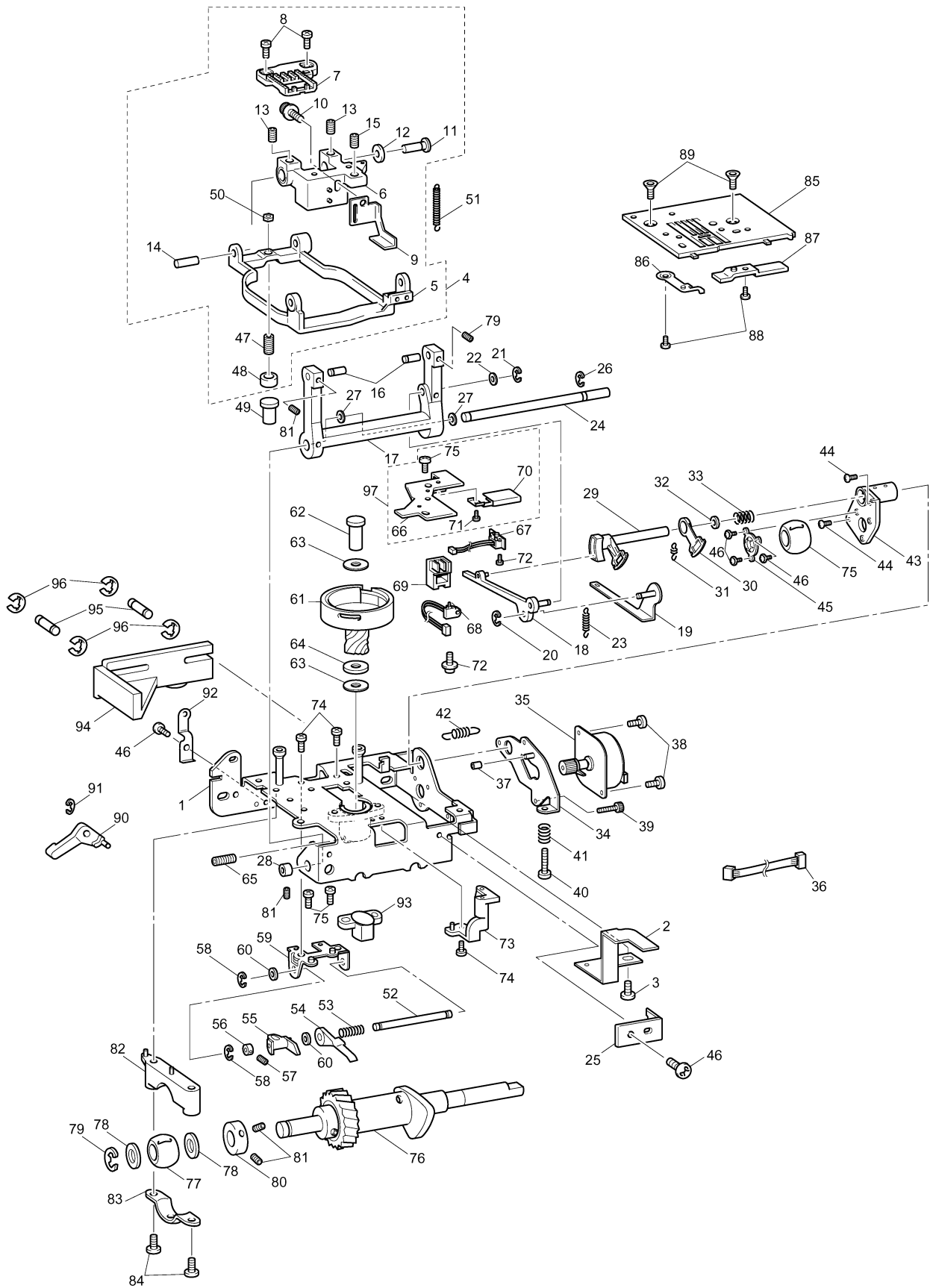
FEED MODULE

No.	CODE	NAME	REMARKS	No.	CODE	NAME	REMARKS
1	XC7638051	BASE PLATE		45	XC2542021	BUSHING PRESSER B	
2	XC7837051	F GEAR STOPPER PLATE		46	060300516	SCREW BIND M3X5	
3	060400416	SCREW, BIND M4X4		47	012401032	SET SCREW SOCKET (FT) M4X10	
4	XC7841151	FEED BAR ASSY		48	XC7853150	CAP	
5	XC7842151	FEED BAR		49	XC7854051	VERTICAL ROD	
6	XC8530051	FEED DOG BASE ASSY		50	X56851051	LOCK NUT	
7	XC7846151	FEED DOG		51	XZ0385051	SPRING	
8	060300616	SCREW BIND M3X6		52	XC8361051	VERTICAL FEED SHAFT	
9	XC7847051	FEED DOG CORRECTION PLATE		53	XC7856051	SPRING	
10	XC3338021	SCREW3X8		54	XC7857050	FEED DOG CORRECTION LEVER	
11	XC7848051	FEED DOG BASE SHAFT A		55	XC7858050	VERTICAL LEVER	
12	137999050	POLYESTER SLIDER		56	XC2552051	SET SCREW COLLAR	
13	014400432	SET SCREW SOCKET (CP) M4X4		57	014400432	SET SCREW SOCKET (CP) M4X4	
14	XC7849051	FEED DOG BASE SHAFT B		58	048030346	RETAINING RING E3	
15	012400432	SET SCREW SOCKET (FT) M4X4		59	XC7859051	VERTICAL SUPPORTING PLATE	
16	XC2512051	FEED BAR SHAFT A		60	137713050	POLYESTER SLIDER	
17	XC8337021	FEED ARM A		61	XC2210051	OUTER ROTALY HOOK ASSY	
18	XC2517021	FEED ARM B ASSY		62	XC2230051	OUTER ROTARY HOOK SHAFT	
19	XC2521021	FEED SUPPORTING PLATE ASSY		63	137805052	SPACER	
20	048020346	RETAINING RING E2		64	137976051	WASHER 6	
21	048030346	RETAINING RING E3		65	014400632	SET SCREW SOCKET (CP) M4X6	
22	137999050	POLYESTER SLIDER		66	XC8406251	INNER ROTARY HOOK BRACKET ASSY	
23	XC9277051	SPRING		67	XC8350051	PHOTO DIODE HOLDER ASSY	
24	XC7835051	HORIZONTAL FEED SHAFT		68	XC8240051	ASSY:PLTSW D6	
25	XC8195051	SHAFT STOPPER PLATE		69	XC7865050	NEEDLE PLATE SW HOLDER	
26	048050346	RETAINING RING E5		70	XC7866251	CORD HOLDER	
27	X50546050	WASHER,THRUST		71	060260316	SCREW BIND M2.6X3	
28	130676151	SET SCREW COLLAR		72	000020415	SCREW BIND M2X4	
29	XC2527021	FEED ADJUSTER		73	XZ0181021	STOPPER PLATE BLOCK ASSY	
30	XC2529020	F GEAR		74	060400516	SCREW BIND M4X5	
31	XC2530021	SPRING		75	060300816	SCREW BIND M3X8	
32	137713050	POLYESTER SLIDER		76	XC7867051	LOWER SHAFT B ASSY	
33	XC2531021	SPRING		77	X52664050	LOWER SHAFT BUSHING	
34	XZ0397051	FPM HOLDER ASSY		78	X51383050	WASHER,THRUST	
35	XC9759051	FPM INSULATION ASSY		79	048060346	RETAINING RING E6	
36	XC8236051	ASSY:FPM LEAD WIRE		80	137768151	SET SCREW COLLAR	
37	XC2587050	RUBBER		81	014400432	SET SCREW SOCKET (CP) M4X4	
38	060300516	SCREW BIND M3X5		82	XC2566021	BUSHING SUPPORTER A	
39	XC3338021	SCREW3X8		83	XC2567021	BUSHING PRESSER A	
40	018402532	BOLT SOCKET M4X25		84	060401616	SCREW BIND M4X16	
41	XC2537021	SPRING		85	XC7872151	NEEDLE PLATE A	
42	XC2538021	SPRING		86	XC2570021	STOPPER PLATE	
43	XC2539021	BUSHING SUPPORTER ASSY		87	XC7873051	STOPPER PLATE	
44	060400616	SCREW BIND M4X6		88	060260316	SCREW BIND M2.6X3	

FEED MODULE



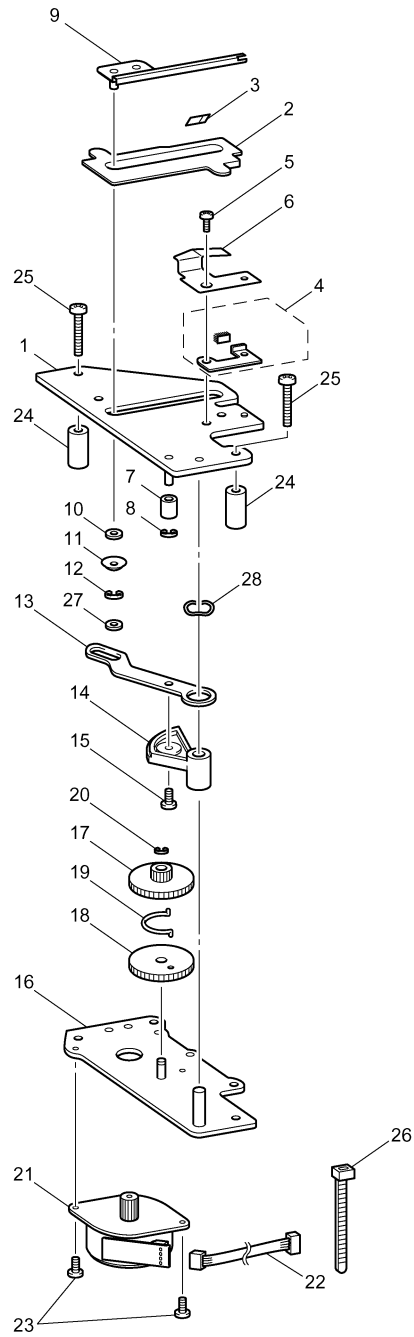
FEED MODULE



THREAD CUTTER MODULE

No.	CODE	NAME	REMARKS
1	XC2576021	THREAD CUTTER FRAME ASSY	
2	XC2579020	SPACER	
3	X80321001	NT LOWER THREAD CUTTER	
4	XC2595121	PRESSER PLATE ASSY	
5	060300416	SCREW BIND M3X4	
6	XC2598120	SPRING PLATE	
7	XC2587050	RUBBER	
8	048030346	RETAINING RING E3	
9	XC2583121	THREAD HOOK ASSY	
10	137713050	POLYESTER SLIDER	
11	X56731050	WASHER	
12	048040346	RETAINING RING E4	
13	XC2581121	THREAD CUTTER LEVER	
14	XC2582020	THREAD CUTTER LEVER GEAR	
15	0A4300605	SCREW PAN (S/P WASHER) M3X6	
16	XC8416051	MOTOR HOLDER ASSY	
17	XC2592020	IDLE GEAR A	
18	XC2593020	IDLE GEAR B	
19	X56323021	SPRING	
20	048020346	RETAINING RING E2	
21	XC8678051	ZPM INSULATION ASSY	
22	XC8244051	ASSY:CPM LEAD WIRE	
23	060300416	SCREW BIND M3X4	
24	XC2594051	COLLAR	
25	060402016	SCREW BIND M4X20	
26	X53169050	BAND	
27	137713050	POLYESTER SLIDER	
28	XC8407050	WAVE-SHAPE SPRING WASHER	
	XC8674251	THREAD CUTTER SUPPLY ASSY (OTHER)	
	XC8674252	THREAD CUTTER SUPPLY ASSY (U.S.A., CAN)	

THREAD CUTTER MODULE



NV1500D/ NV1500
05G05HF882U70

www.promelectroavtomat.ru