

PARTS CATALOGUE FOR
COMPUTERIZED SEWING MACHINE

PE700
NV700E

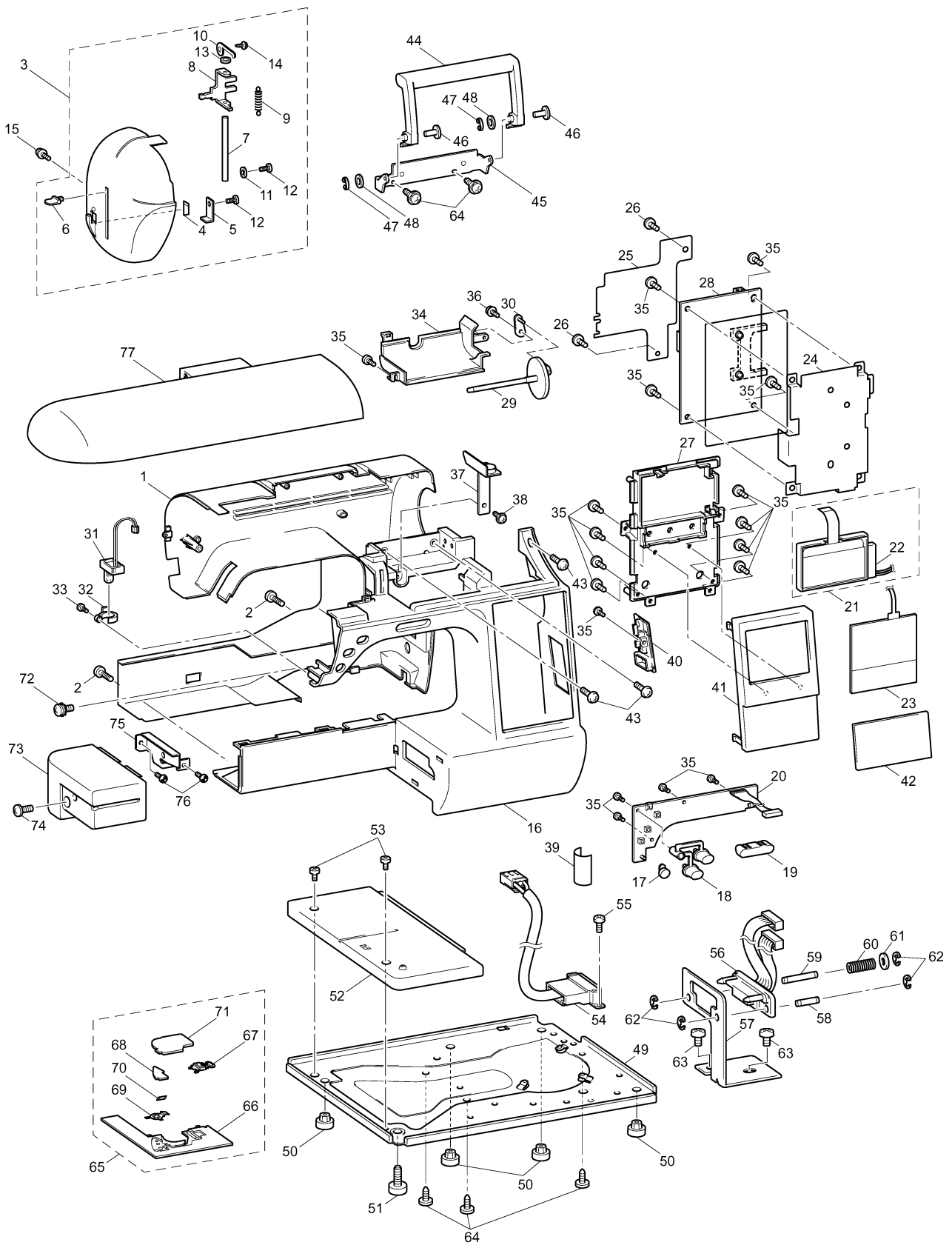
02.2006.

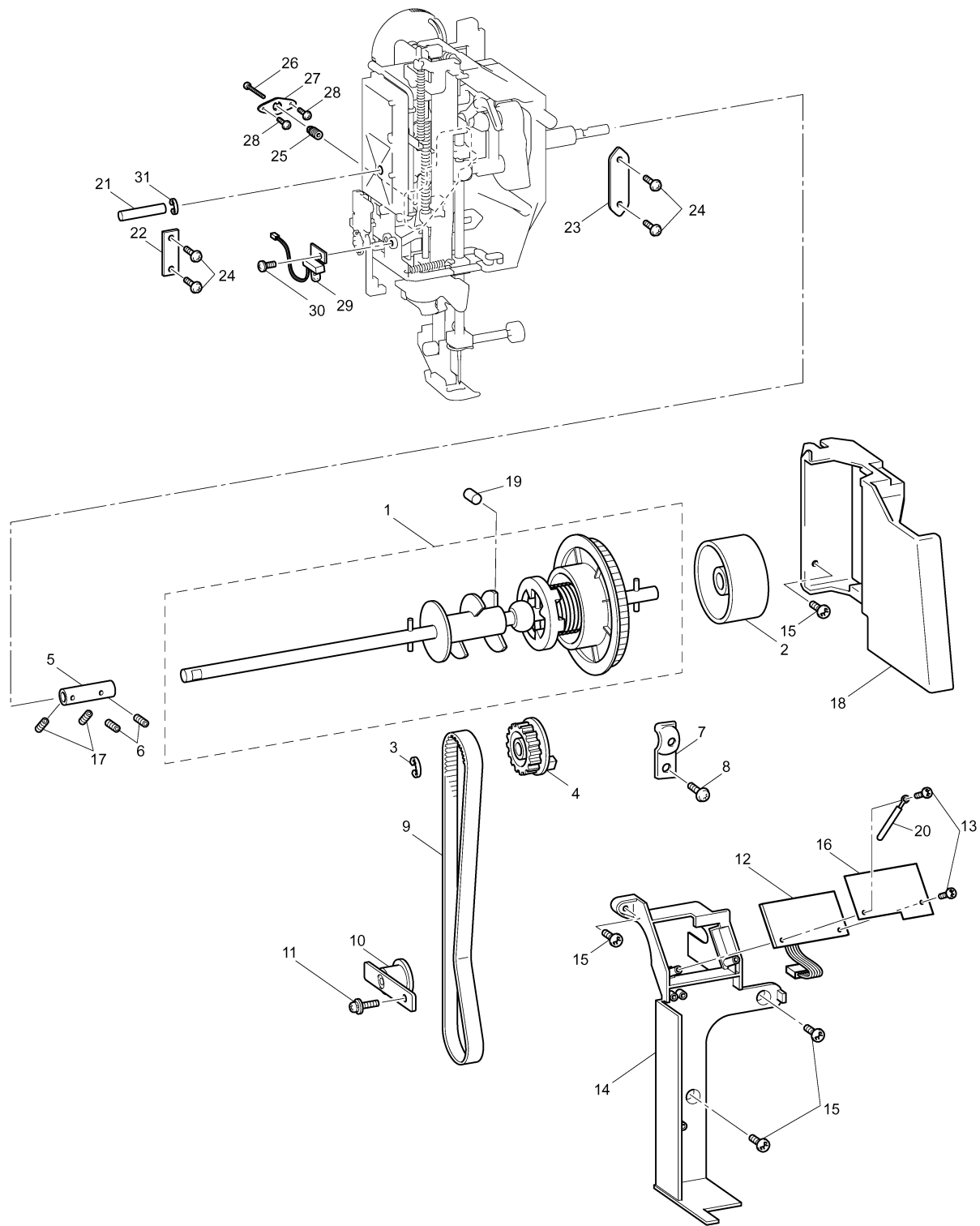
CONTENTS

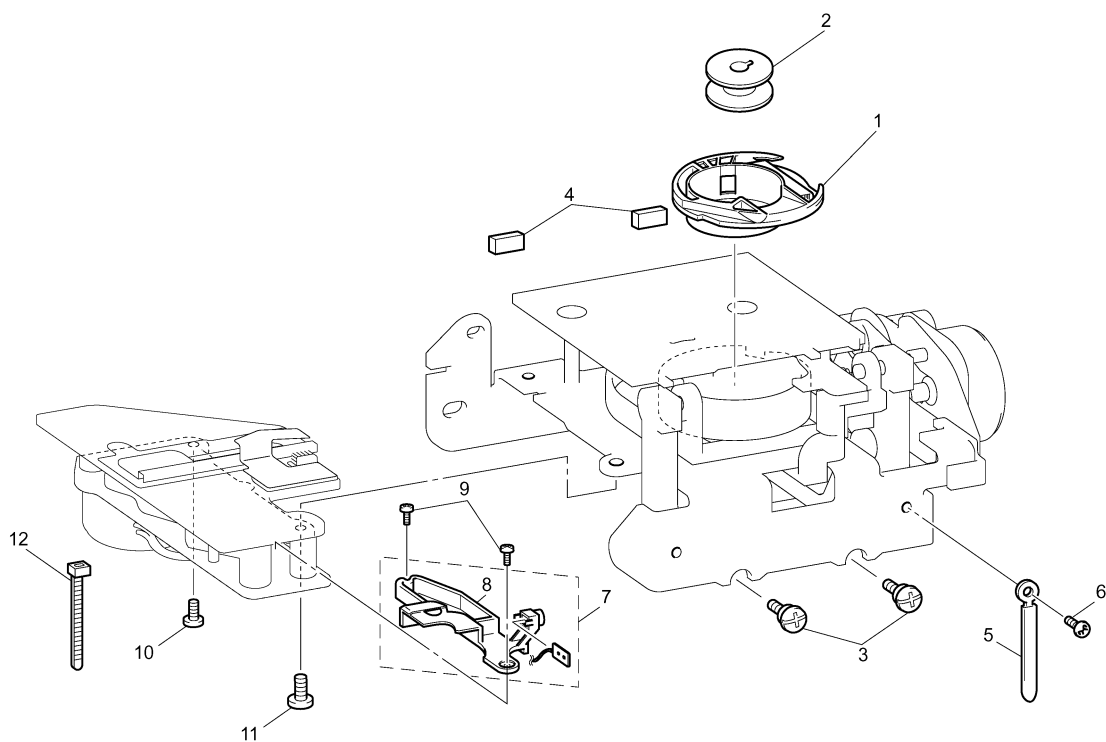
(1) PRINCIPAL PARTS.....	2
(2) UPPER SHAFT / NEEDLE BAR, PRESSER MECHANISM.....	4
(3) FEED, ROTARY HOOK / THREAD CUTTING MECHANISM.....	6
(4) ROTARY HOOK DRIVE / BOBBIN WINDER MECHANISM.....	8
(5) THREAD GUIDE MECHANISM.....	10
(6) ELECTRONIC PARTS / MOTOR UNIT.....	12
(7) EMBROIDERY UNIT	14
(8) ATTACHMENTS / PRINTED MATTER / PACKING MATERIALS	16
NEEDLE-PRESSER MODULE.....	18
FEED MODULE.....	20
THREAD CUTTER MODULE.....	22

(1) PRINCIPAL PARTS

No.	CODE	NAME	REMARKS	No.	CODE	NAME	REMARKS
1	XD1593051	REAR COVER ASSY		44	XC2348051	HANDLE	
2	060400816	SCREW, BIND M4 × 8		45	XC9696051	HANDLE HOLDER	
3	XD1596051	FACE PLATE		46	XC2350051	HANDLE SHAFT	
4	X80321001	NT LOWER THREAD CUTTER		47	048040346	RETAINING RING, E4	
5	XC9682051	FACE PLATE CUTTER HOLDER		48	137713050	POLYESTER SLIDER	
6	XC9604051	NEEDLE THREAD LEVER KNOB		49	XC6818151	BASE PLATE	
7	XA5825051	NEEDLE THREAD LEVER SHAFT		50	XA1805051	BASE RUBBER A	
8	XC9683051	NEEDLE THREAD LEVER		51	XA4687051	ADJUSTING SCREW ASSY	
9	138260051	THREAD THROUGH LEVER SPRING		52	XC9589051	BASE PLATE COVER	
10	XZ0406050	SHAFT PRESSER PLATE		53	060300516	SCREW, BIND M3 × 5	
11	XA5525051	WASHER,PLAIN		54	XC4412051	INLET ASSY:F1D-US (PE700:U.S.A.)	
12	138433051	TAPTITE,PAN B M3 × 6			XC4417051	INLET ASSY:F1D-EU (PE700:OTHER, NV700E)	
13	XC0508050	RUBBER WASHER		55	060400616	SCREW BIND M4X6	
14	X59629051	TAPTITE,BIND B M3 × 10		56	XD0351051	LEAD WIRE ASSY MAIN BODY FCOMB	
15	XC7568051	SCREW PAN (S/P WASHER) M4 × 14		57	XD0352051	CONNECTOR HOLDER F-US	
16	XD1599051	FRONT COVER		58	XD0353051	ES PIN F-A	
17	XC9600052	SS-BUTTON		59	XD0945051	ES PIN F-B	
18	XC9601052	REVERSE BUTTON		60	XD0967051	SPRING,COMPRESSION	
19	XD1601051	SV COVER		61	XC2514021	FEED BAR SPACER	
20	XD1602051	PCB ASSY SS F-EM		62	048020346	RETAINING RING E2	
21	XD0830051	LCD SUPPLY ASSY		63	062400612	SCREW PAN M4X6	
22	XD0334051	BACK LIGHT PCB ASSY		64	X57908051	TAPTITE,BIND S M4X10	
23	XD0338057	ASSY:TOUCH PANEL		65	XD0354051	NEEDLE PLATE B ASSY	
24	XD0340051	BOARD PLATE		66	XD0355051	NEEDLE PLATE B	
25	XD0331051	BOARD PLATE UPPER		67	XC2366152	SLIDE BUTTON	
26	060300516	SCREW BIND M3X5		68	XD1666052	CUTTER COVER	
27	XD0341051	MAIN PCB HOLDER		69	XD1461051	NEEDLE PLATE COVER SPRING	
28	XD1976051	MAIN PCB SUPPLY ASSY		70	X80321001	NT LOWER THREAD CUTTER	
29	XA1786053	SPOOL PIN		71	XD1645021	NEEDLE PLATE COVER SUPPLY ASSY	
30	XC9690051	SPOOL PIN HOLDER ASSY		72	XC4433051	SCREW,PAN(T WASHER)M3 × 6	
31	XD0343051	PCB UNIT:LED LAMP-FR		73	XC9588251	FREE ARM COVER	
32	XC7081051	LAMP HOLDER SUPPORTER		74	XC7566051	SCREW, PAN(S/P WASHER)M4X8	
33	X57372051	TAPTITE,PAN B M2.6 × 8		75	XC9746151	FREE ARM PLATE	
34	XC9591051	THREAD BOBBIN COVER		76	060400616	SCREW BIND M4X6	
35	136681051	TAPTITE, BIND B M3 × 8		77	XD0356053	TOP COVER (PE700)	
36	087311015	TAPTITE, CUP B M3 × 10			XD0356054	TOP COVER (NV700E)	
37	XC9693451	BOBBIN WINDER GUIDE ASSY					
38	XA8390051	SCREW					
39	XZ0143050	SSVR INSULATION SHEET					
40	XD0342051	CARD COVER					
41	XD0347151	INDICATION PLATE					
42	XD0349155	PANEL PLATE (PE700)					
	XD0349156	PANEL PLATE (NV700E)					
43	085411416	TAPTITE, BIND B M4 × 14					

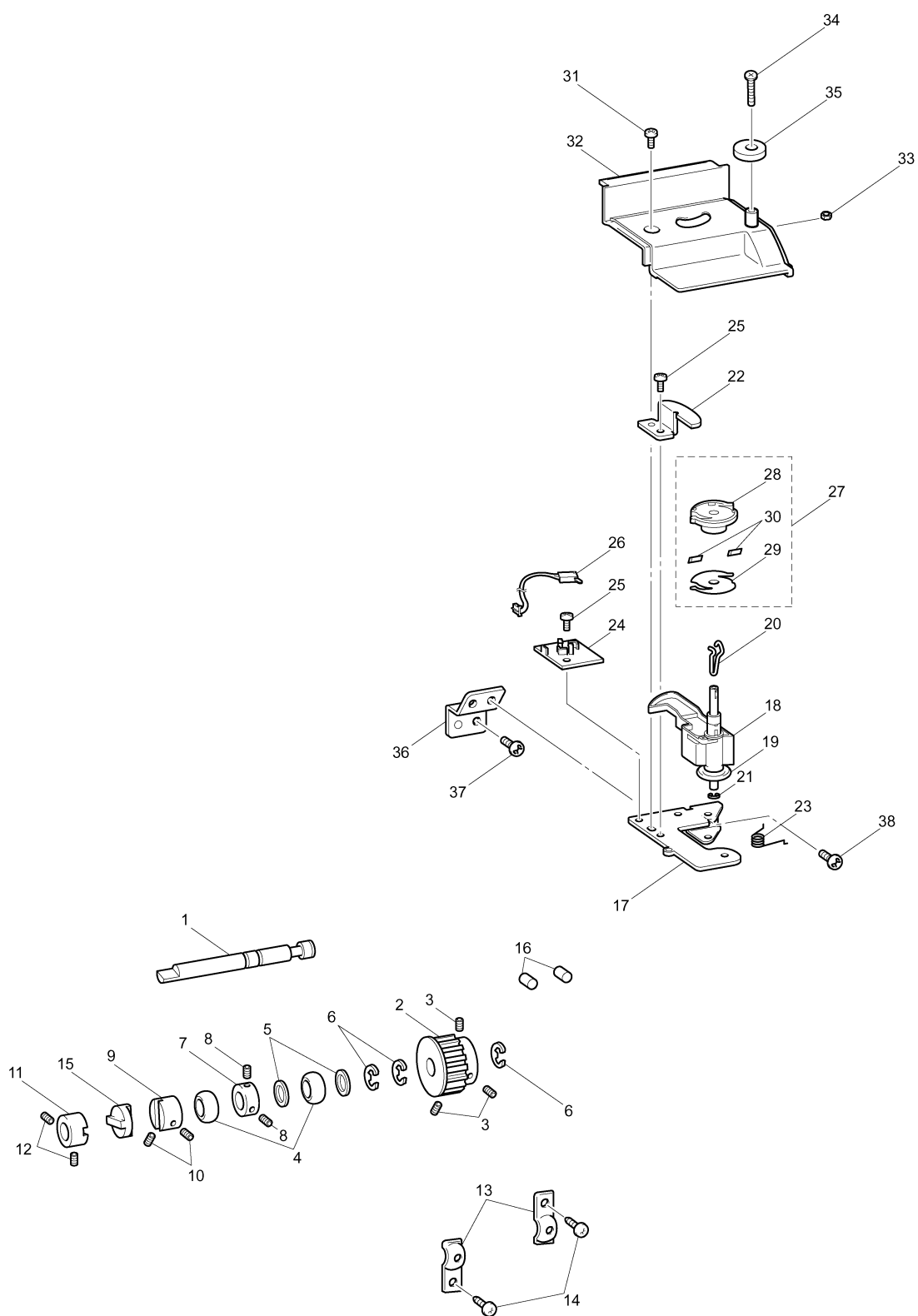






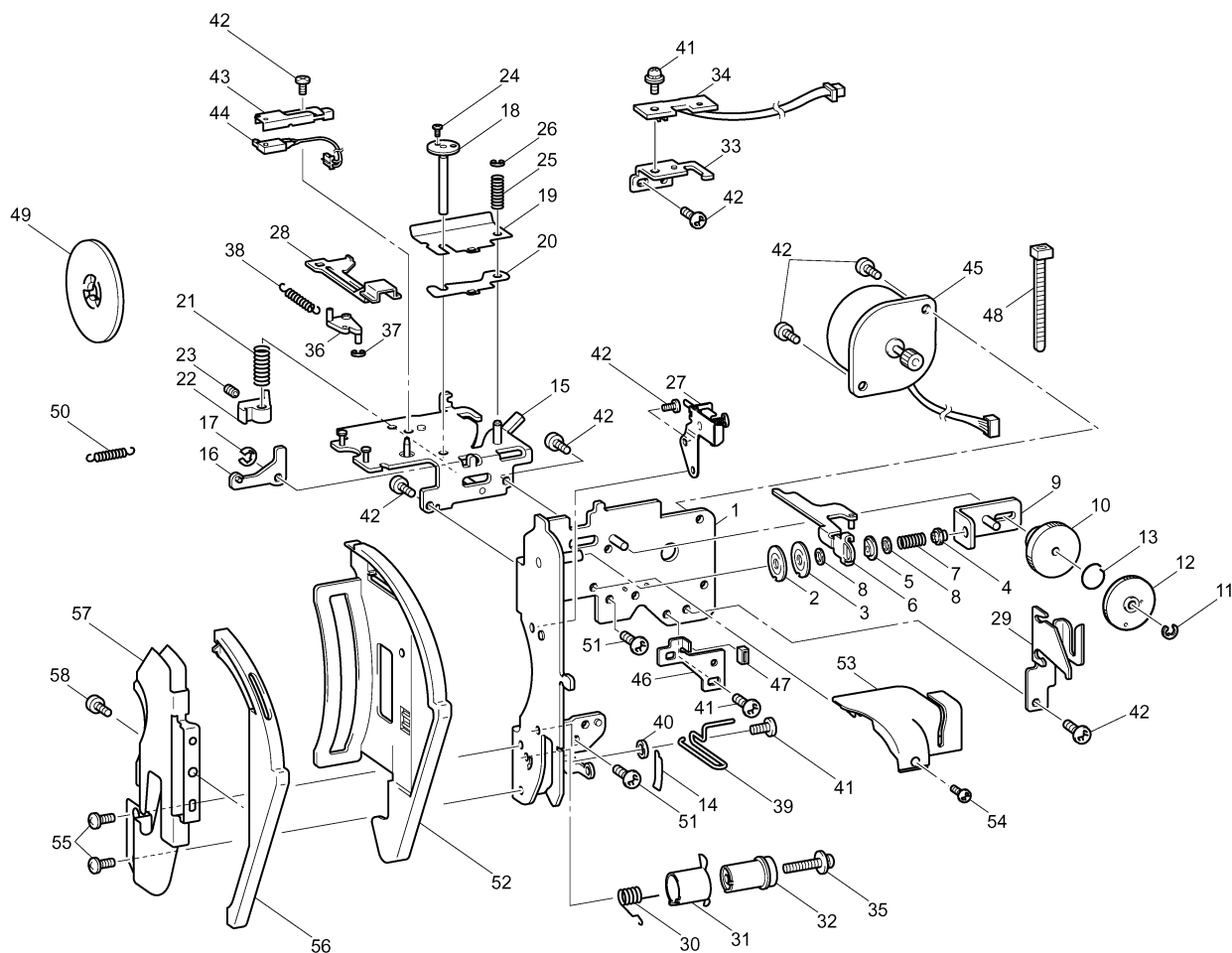
(4) ROTARY HOOK DRIVE / BOBBIN WINDER MECHANISM

No.	CODE	NAME	REMARKS
ROTARY HOOK DRIVE MECHANISM			
1	XC2600050	LOWER SHAFT A	
2	XC2601051	TIMING PULLEY D	
3	014500532	SET SCREW, SOCKET (CP) M5 × 5	
4	X52664050	LOWER SHAFT BUSHING	
5	X51383050	WASHER, THRUST	
6	048060346	RETAINING RING, E6	
7	137768151	SET SCREW COLLAR	
8	014400432	SET SCREW, SOCKET (CP) M4 × 4	
9	XC2602051	JOINT	
10	012500532	SET SCREW, SOCKET (FT) M5 × 5	
11	XC2602051	JOINT	
12	012500532	SET SCREW, SOCKET (FT) M5 × 5	
13	132421051	BUSHING PRESSER	
14	X57908051	TAPTITE, BIND S M4 × 10	
15	XC2603050	DISK	
16	XC3183051	FELT	
BOBBIN WINDER MECHANISM			
17	XC2605051	BOBBIN WINDER ASSEMBLY HOLDER	
18	XC2606251	BW SHAFT HOLDER ASSEMBLY	
19	X55238051	RUBBER RING	
20	125928050	BOBBIN WINDER SHAFT SPRING	
21	048050343	RETAINING RING, E5	
22	XA2862051	BOBBIN WINDER SHAFT STOPPER	
23	X59939051	BOBBIN WINDER SPRING	
24	XC2614051	SW ADJUST PLATE	
25	060300616	SCREW, BIND M3 × 6	
26	XC2612051	SW ASSY: BW-F	
27	XC4672051	BOBBIN BASE ASSY	
28	XC2616051	BOBBIN BASE	
29	XA5877051	BOBBIN THREAD CUTTER HOLDER	
30	X80321001	NT LOWER THREAD CUTTER	
31	XA8390051	SCREW	
32	XC9590051	BOBBIN WINDER COVER	
33	021300205	NUT, 1 M3	
34	0A4302506	SCREW PAN (S/P WASHER) M3X25	
35	XC4517051	BOBBIN PRESSER	
36	XC2615051	BW HOLDER SUPPORTER	
37	X57908051	TAPTITE, BIND S M4 × 10	
38	060400816	SCREW, BIND M4 × 8	



(5) THREAD GUIDE MECHANISM

No.	CODE	NAME	REMARKS	No.	CODE	NAME	REMARKS
1	XC2624351	THREAD GUARD ASSEMBLY		45	XC4407021	MOTOR,PULSE:AT SMJ35-4840-D	
2	XA0083051	TENSION DISC A		46	XC4484051	INITIAL ADJUSTING PLATE	
3	XC2626051	TENSION DISC B		47	XC3253051	RUBBER	
4	XC3437051	TENSION ADJUSTING SCREW		48	X53169050	BAND	
5	XA1388051	TENSION DISC WASHER		49	X55260153	SPOOL PRESSER C	
6	XC2627051	TENSION RELEASE PLATE ASSY		50	XA9787051	SPRING	
7	XA9900051	THREAD TENSIONSPRING		51	085411015	TAPTITE, BIND B M4 × 10	
8	XD0573051	WASHER		52	XD0384151	THREAD GUIDE COVER	
9	XA9562051	TENSION PLATE ASSY		53	XD0386051	FRONT THREAD GUARD COVER	
10	XZ0171051	THREAD TENSIONCAM		54	060300416	SCREW, BIND M3 × 4	
11	048030346	RETAINING RING, E3		55	XC7564051	SCREW, PAN(S/P WASHER)M3X6	
12	XZ0170051	THREAD TENSION GEAR COVER		56	XD0389051	THREAD GUIDE COVER	
13	X56323051	SPRING		57	XC9745151	THREAD GUIDE	
14	XA9935050	SPRING TAPE		58	X59629051	TAPTITE,BIND B M3X10	
15	XC2635151	TENSION RELEASE HOLDER ASSY					
16	XA9571051	TENSION RELEASERLINK					
17	048030346	RETAINING RING, E3					
18	XC2638151	TENSION PRESSURE ASSY					
19	XA9575051	TENSION PLATE					
20	XA9576051	SPACER					
21	XA9577051	SPRING					
22	XC2640051	TENSION RELEASE CAM					
23	012300432	SET SCREW, SOCKET (FT) M3 × 4					
24	X57363051	POWER LOCK 2 × 3					
25	X57605051	SPRING					
26	048020346	RETAINING RING, E2					
27	XC2644051	PLATE ASSEMBLY					
28	XC9740051	THREAD GUIDE SHUTTER					
29	XC2749051	THREAD GUIDE					
30	XZ0145051	THREAD TAKE UP SPRING					
31	XD0377051	THREAD CATCHING SPRING CASE FE					
32	XD0378051	THREAD CUTTING SHUTTER FE					
33	XD0379051	THREAD SENSOR HOLDER FE					
34	XD0380051	UPTHREAD PCB ASSY FCOM					
35	0A4302006	SCREW PAN (S/P WASHER) M3X20					
36	XC2649050	THREAD GUIDE SHUTTER LINK					
37	048030346	RETAINING RING, E3					
38	XC2650051	SPRING					
39	XD0383050	THREAD GUIDE WIRE FE					
40	XA9996051	WASHER,PLAIN					
41	XC7564051	SCREW, PAN(S/P WASHER)M3X6					
42	060300416	SCREW, BIND M3 × 4					
43	XC2641051	PRESSER SWITCH HOLDER					
44	XC2642051	SW ASSY:PF-F					

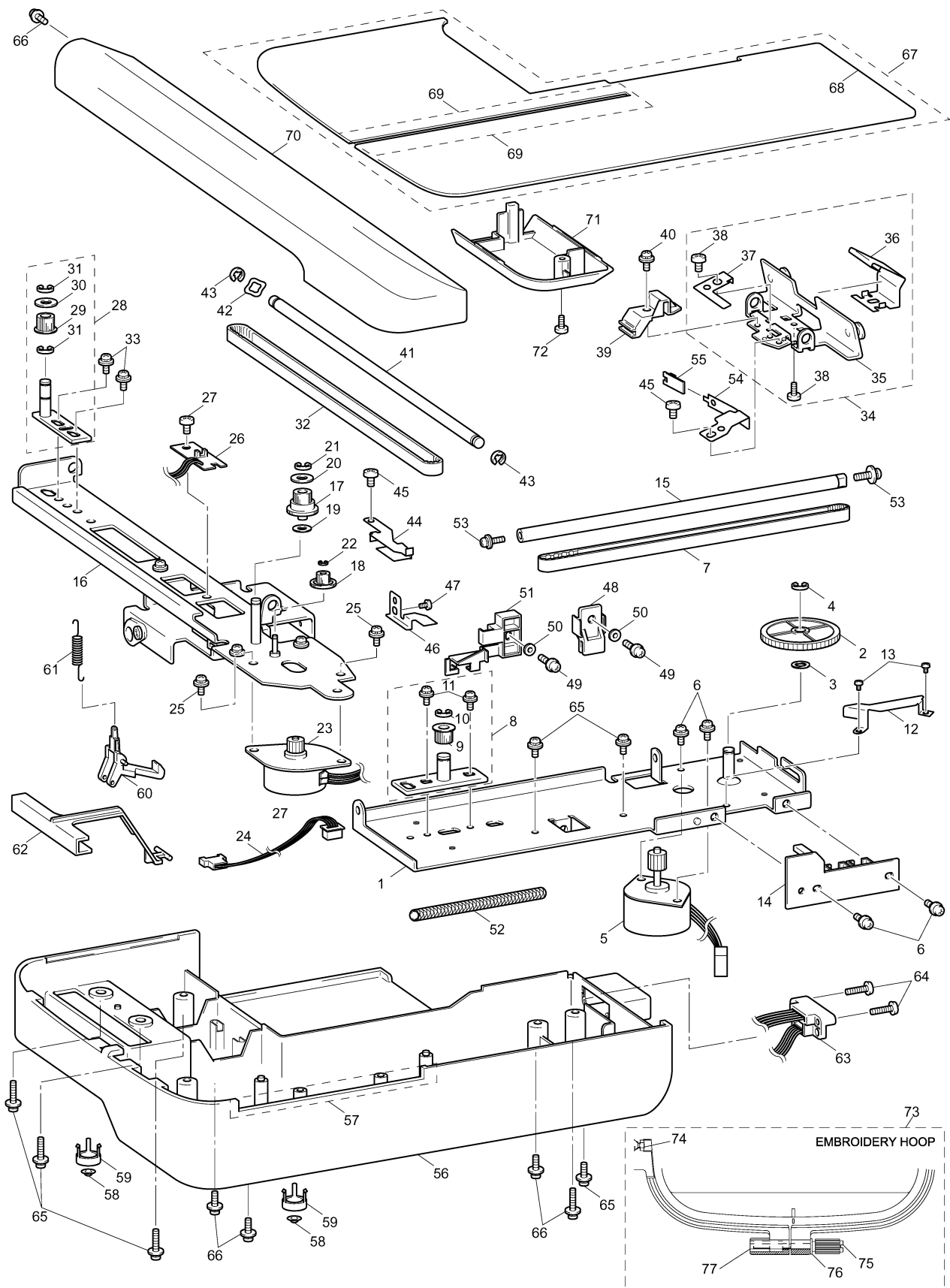


(6) ELECTRONIC PARTS / MOTOR UNIT

No.	CODE	NAME	REMARKS
ELECTRONIC PARTS			
1	XD1977051	MOTOR PCB SUPPLY ASSY	
2	XD0394051	LEAD WIRE ASSY POWER	
3	XD0395051	FFC:UL2896SFBNCD-P0.5-L1-50	
4	136681051	TAPTITE,BIND B M3X8	
5	060400816	SCREW, BIND M4 × 8	
6	XA0286051	WIRE CLIP	
7	X57908051	TAPTITE,BIND S M4 × 10	
8	X53169050	BAND	
MOTOR UNIT			
9	XC2685051	T BELT494-2GT-6	
10	XC2687051	ASSY:MAIN MOTOR-F	
11	XC2690051	MOTOR HOLDER	
12	XA9649050	FENDER RUBBER	
13	XA9650051	MOTOR SPACER PRESSER	
14	XC3027051	SPACER 4 × 6	
15	XC7568051	SCREW, PAN (S/P WASHER) M4 × 14	
16	XA8474051	UPSET 4 × 12 DB	
17	XA9652150	MOTOR FAN	
POWER SUPPLY UNIT			
18	XD1627051	POWER SUPPLY UNIT F120EM (PE700:U.S.A.)	
	XD1638051	POWER SUPPLY UNIT F230EM (PE700:OTHER, NV700E)	
19	XC7568051	SCREW, PAN(S/P WASHER)M4X14	
20	XC6052051	POWER SUPPLY CORD:UL CSA-LF (PE700:U.S.A.)	
	XD0111051	POWER SUPPLY CORD:IRAM (PE700:ARG)	
	XA0070151	POWER SUPPLY CORD (PE700:CHI, NV700E:GER, FRA, ITA, RUS, SIN)	
	X59354151	POWER SUPPLY CORD -BS (NV700E:U.K.)	
	XC9548051	POWER SUPPLY CORD:SAA-LF (NV700E:AUS)	
	XD1976051	MAIN PCB SUPPLY ASSY	

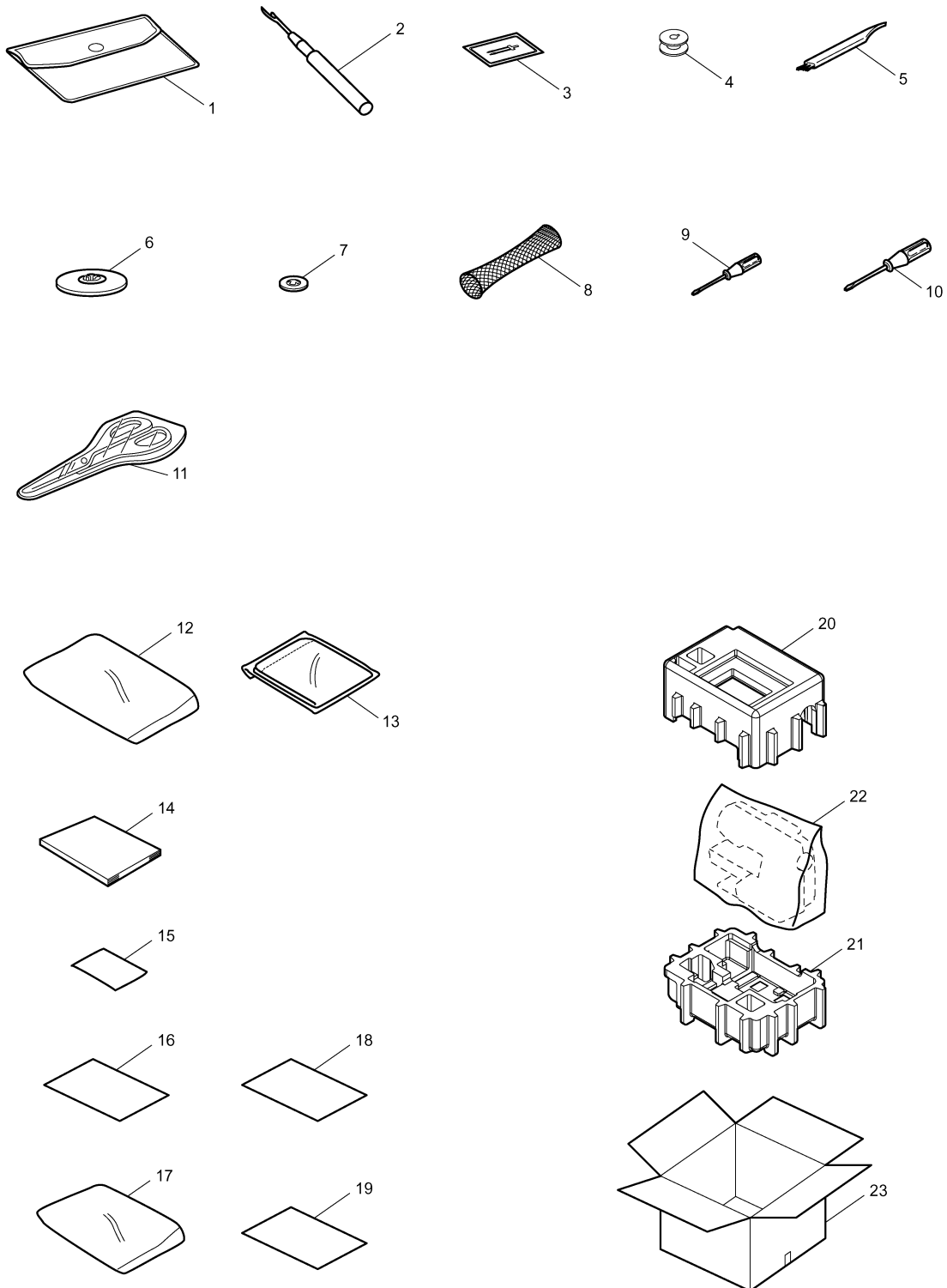
(7) EMBROIDERY UNIT

No.	CODE	NAME	REMARKS	No.	CODE	NAME	REMARKS
1	XD0413051	MAIN FRAME SUB ASSY		45	060300416	SCREW BIND M3X4	
2	XD1350050	X DRIVING GEAR PULLEY		46	XD0447050	X INITIAL SHUTTER	
3	X53838051	WASHER		47	060400616	SCREW BIND M4X6	
4	048040346	RETAINING RING E4		48	XA2144350	X BELT PRESSER	
5	XD0415151	X PULSE MOTOR SMJ40-4888-B		49	XC7567051	SCREW, PAN(S/P WASHER)M4X12	
6	XA8390051	SCREW, PAN(S/P WASHER)M3X7		50	027040223	WASHER EX TOOTH 4	
7	XA2123051	TIMING BELT 62S2M494		51	XD0448150	X SLIDER	
8	XD0418051	X TENSION PULLEY ASSY		52	XD1814051	NYLON SLEEVE	
9	XA2127050	TENSION PULLEY		53	XC7566051	SCREW, PAN(S/P WASHER)M4X8	
10	048040346	RETAINING RING E4		54	XD0768051	Y GUIDE SHAFT PRESSER PLATE	
11	XC7566051	SCREW, PAN(S/P WASHER)M4X8		55	XD0769050	Y GUIDE SHAFT PRESSER	
12	XD0421050	OIL GUARD PLATE		56	XD0452051	ES BASE COVER	
13	060300416	SCREW BIND M3X4		57	XD0453051	GROOVE COVER	
14	XD0422051	EMB RELAY PCB ASSY		58	X59853050	RUBBER CUSHION	
15	XA2128051	X GUIDE SHAFT		59	XC8094051	RUBBER CUSHION COVER	
16	XD0426151	X CARRIAGE ASSY		60	XD0454051	LOCK FINGER	
17	XD1351050	Y DRIVING GEAR PULLEY		61	XC8096051	SPRING	
18	XD1161050	IDLE GEAR		62	XD0455051	LOCK RELEASE LEVER	
19	X53838051	WASHER		63	XD0456051	LEAD WIRE ASSY EMB UNIT FCOMB	
20	025060235	WASHER PLAIN M 6		64	085301615	TAPTITE BIND P M3X16	
21	048040346	RETAINING RING E4		65	087411416	TAPTITE CUP B M4X14	
22	048030346	RETAINING RING E3		66	XC7566051	SCREW, PAN(S/P WASHER)M4X8	
23	XD0432151	Y PULSE MOTOR SMJ35-4823-F		67	XD0457051	ES MAIN COVER ASSY	
24	XD0435051	LEAD WIRE ASSY YPM RELAY		68	XD0458051	ES MAIN COVER	
25	XA8390051	SCREW, PAN(S/P WASHER)M3X7		69	XD0453051	GROOVE COVER	
26	XD0436051	Y SENSOR PCB ASSY		70	XD0461051	X CARRIAGE COVER	
27	060300416	SCREW BIND M3X4		71	XD0463051	YPM COVER	
28	XD0438051	Y TENSION PULLEY ASSY		72	085301017	TAPTITE BIND P M3X10	
29	XA2127050	TENSION PULLEY		73	XA2168201	EF26 985 EMBROIDERY FRAME LARG	
30	025060235	WASHER PLAIN M 6		74	021300106	NUT 1 M3	
31	048040346	RETAINING RING E4		75	X56373101	THUMB SCREW	
32	XC8041051	TIMING BELT 40S2M530		76	X59422001	WASHER	
33	XC7566051	SCREW, PAN(S/P WASHER)M4X8		77	XA6982001	NUT	
34	XD0441051	Y CARRIAGE ASSY					
35	XD0442051	Y CARRIAGE PLATE SUB ASSY			XD0464051	EMBROIDERY SHEET L ASSY F	
36	XD0444051	HOOP FIXED SPRING			X60679051	BAG,450X400H	
37	XD0445050	Y INITIAL SHUTTER					
38	060300416	SCREW BIND M3X4			XD1978051	EMBROIDERY PACKING ASSY (PE700, NV700E:OTHER)	
39	XA4710250	Y SLIDER			XE0095001	EMBROIDERY PACKING ASSY (NV700E:AUS)	
40	XA8390051	SCREW, PAN(S/P WASHER)M3X7					
41	XA2139051	Y GUIDE SHAFT					
42	103810052	WASHER, WAVE SPRING					
43	048040346	RETAINING RING E4					
44	XD0446050	CODE GUIDE					



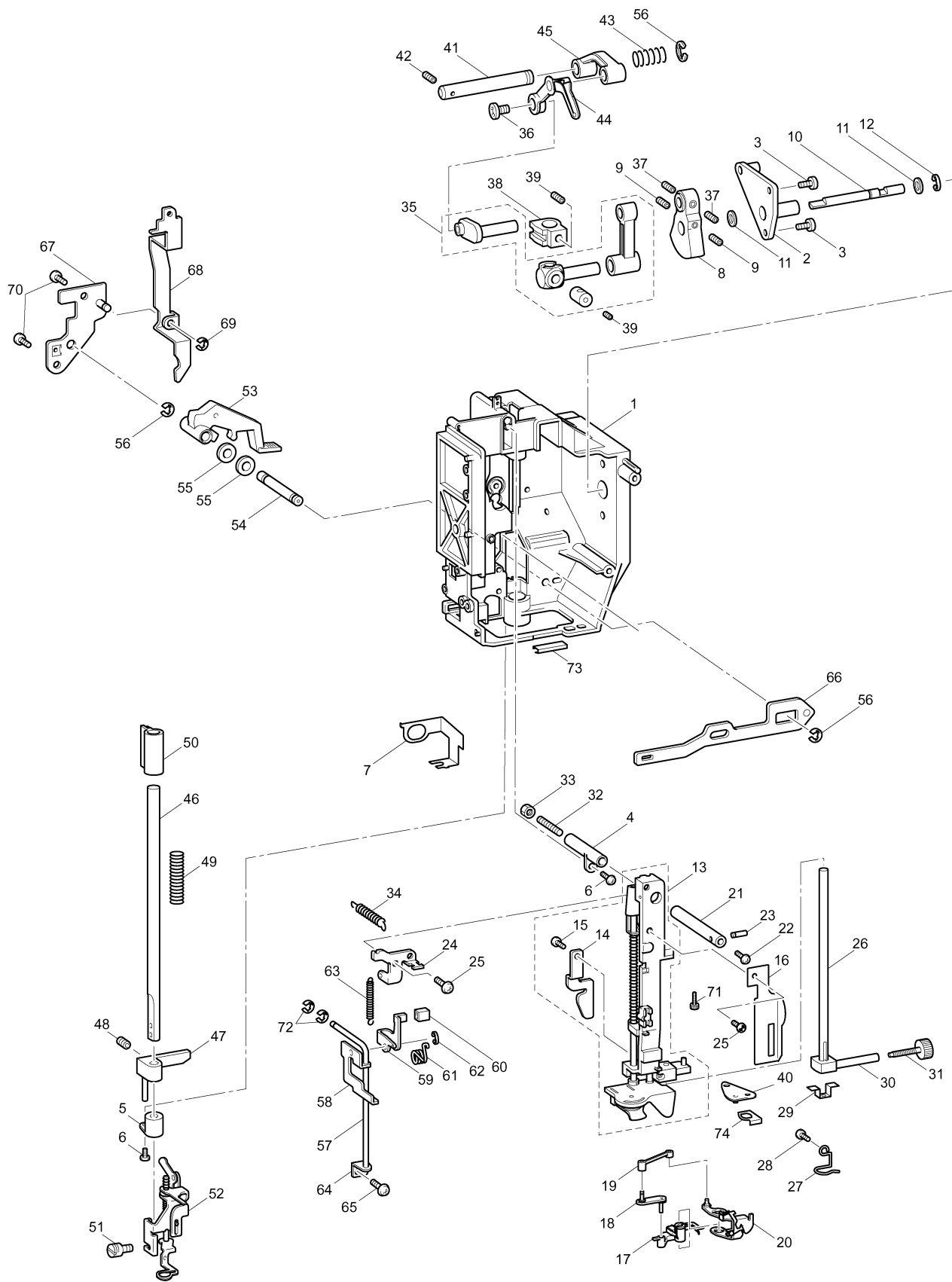
(8) ATTACHMENTS / PRINTED MATTER / PACKING MATERIALS

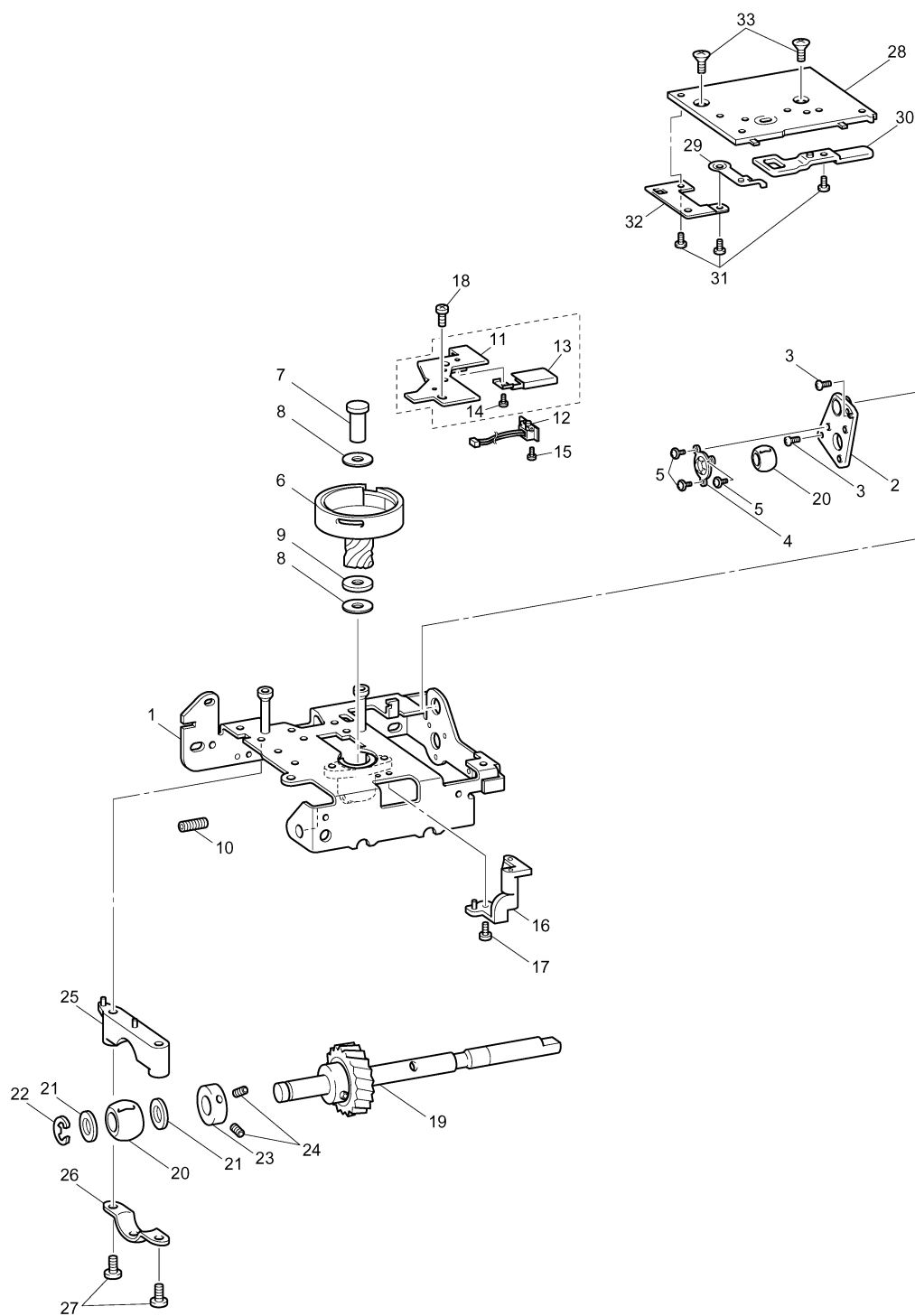
No.	CODE	NAME	REMARKS	No.	CODE	NAME	REMARKS
ATTACHMENTS				PACKING MATERIALS			
1	XC4487051	ACCESSORY BAG		20	XD1630050	STYROFORM TOP	
2	X54243051	SEAM RIPPER		21	XD1631050	STYROFORM BOTTOM	
3	X59535051	NEEDLE SET		22	X60439151	BAG,630X630T	
4	X52800150	BOBBIN		23	XD1633051	MASTER CARTON (PE700)	
5	X59476051	CLEANING BRUSH			XD1633052	MASTER CARTON (NV700E)	
6	130012054	SPOOL PRESSER A			X57847051	PLUG LABEL (NV700E:U.K.)	
7	130013154	SPOOL PRESSER B					
8	XA5523050	NET					
9	X55468051	SCREW DRIVER S					
10	XC8349051	SCREW DRIVER					
11	XC1807121	SCISSORS					
12	XA0188050	BAG					
13	XZ5004021	DUST COVER ASSY					
PRINTED MATTER							
14	XD1628051	INSTRUCTION BOOK ENG (PE700:U.S.A., NV700E:U.K., RUS, SIN, AUS)					
	XD1668051	INSTRUCTION BOOK SPA (PE700:U.S.A., ARG, CHI)					
	XD1639051	INSTRUCTION BOOK GER (NV700E:GER)					
	XD1913051	INSTRUCTION BOOK FRE (NV700E:FRA)					
	XD1914051	INSTRUCTION BOOK DUT (NV700E:FRA)					
	XD1915051	INSTRUCTION BOOK ITA (NV700E:ITA)					
15	XC8945051	WARRANTY CARD T (PE700:U.S.A.)					
	UH3851001	WARRANTY CARD EUR (NV700E:GER, U.K., FRA, ITA)					
	XC6402051	WARRANTY CARD UK (NV700E: U.K.)					
	XA6351251	WARRANTY CARD (NV700E:ITA)					
16	XD1629051	QUICK REFERENCE GUIDE					
17	130800051	BAG,220X310					
18	XD1641051	LANGUAGE SETTING SHEET (NV700E:GER, U.K., FRA, ITA, RUS)					
19	XD0256051	INSERTION WEEE (NV700E:GER, U.K., FRA, ITA)					

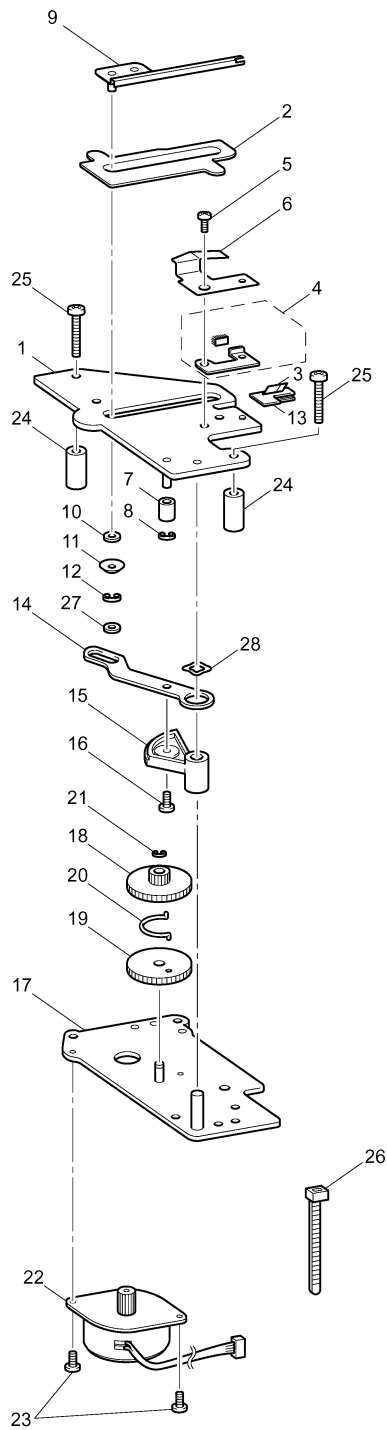


NEEDLE-PRESSER MODULE

No.	CODE	NAME	REMARKS	No.	CODE	NAME	REMARKS
1	XE0017001	UPPER UNIT HOLDER		45	XC2443020	THREAD TAKE-UP LEVER LINK	
2	XZ0177021	SHAFT BUSHING ASSEMBLY		46	XC2444021	PRESSER BAR	
3	XC7568051	SCREW,PAN (S/P WASHER) M4 × 14		47	XC2445021	PRESSER BAR CLAMP ASSY	
4	XC2398020	SHAFT BUSHING A		48	014501032	SET SCREW,SOCKET(CP)M5 × 10	
5	XC2399021	PRESSER BAR BUSHING		49	XC2448021	SPRING	
6	136681051	TAPTITE, BIND B M3 × 8		50	XC2449021	PRESSER SPRING SUPPORTER	
7	XC5362020	PLATE SPRING		51	XA4813051	SCREW	
8	XC2400021	THREAD TAKE-UP COUNTER WEIGHT		52	XD0474051	EMBROIDERY PRESSER ASSEMBLY	
9	012500532	SET SCREW, SOCKET (FT) M5 × 5		53	XC9725051	PRESSER FOOT LIFTER	
10	XC2401021	UNIT SHAFT		54	XC2452051	PRESSER LIFT SHAFT	
11	132434050	WASHER		55	XA1860150	WASHER	
12	048060346	RETAINING RING, E6		56	048040346	RETAINING RING, E4	
13	XC9716251	NEEDLE BAR SUPPORTER ASSY		57	XC2453051	LEVER GUIDE SHAFT	
14	XC9908050	HOOK RELEASE PLATE		58	XC2455021	LEVER A ASSY	
15	060260516	SCREW, BIND M2.6 × 5		59	XC2458021	LEVER B	
16	XZ0417050	GUARD PLATE		60	XC2459020	CAP	
17	XD1550051	THREADER HOOK ASSY		61	XC2460021	TORSION SPRING	
18	XD1546051	LINK A ASSY		62	048030346	RETAINING RING, E3	
19	XD1548051	LINK B		63	XC2461021	SPRING	
20	XC9613051	THREAD GUIDE ASSY		64	XC2462021	LEVER PRESSER PLATE	
21	XC2419021	SHAFT		65	138433051	TAPTITE, PAN B M3 × 6	
22	000020415	SCREW, BIND M2 × 4		66	XC2491021	THREAD RELEASER ASSY	
23	XC2420050	SHAFT		67	XC2498021	ADJUSTING PLATE ASSY	
24	XC2421121	PLATE		68	XC2501121	TENSION RELEASER C	
25	060300516	SCREW, BIND M3 × 5		69	048030346	RETAINING RING, E3	
26	XC2423051	NEEDLE BAR		70	XC3588051	GIZA TITE 4X12	
27	XC2424021	NEEDLE BAR THREAD GUIDE		71	XC3037051	SCREW3 × 10	
28	X53053052	SCREW SM2.38		72	048020346	RETAINING RING, E2	
29	XC2426020	NEEDLE THREAD PLATE		73	XC3034020	THREAD GUIDE PLATE	
30	XC2427051	NEEDLE BLOCK		74	XD1916050	UPPER UNIT SUPPORT PLATE	
31	XZ0388051	NEEDLE CLAMP SCREW					
32	014401232	SET SCREW, SOCKET (FT) M4 × 12			XD1974151	NEEDLE SUPPLY UNIT ASSY U30	
33	X56851051	LOCK NUT					
34	XC2429021	SPRING					
35	XZ0152051	NEEDLE BAR CRANK ROD ASSY					
36	132051052	SCREW, FLAT SM3.57-40 × 7 L					
37	012500532	SET SCREW, SOCKET (FT) M5 × 5					
38	XC2434021	NEEDLE THREAD BLOCK					
39	012400432	SET SCREW, SOCKET (FT) M4 × 4					
40	XD1612051	NEEDLE HOLDER GUIDE ASSY					
41	XC2440051	SHAFT					
42	014300532	SET SCREW, SOCKET (CP) M3 × 5					
43	XC2441021	SPRING					
44	XC6239151	THREAD TAKE-UP LEVER ASSY					







PE700/NV700E
07A06HF882U30

www.promelectroavtomat.ru