

PARTS CATALOGUE FOR

PE300S

P1000

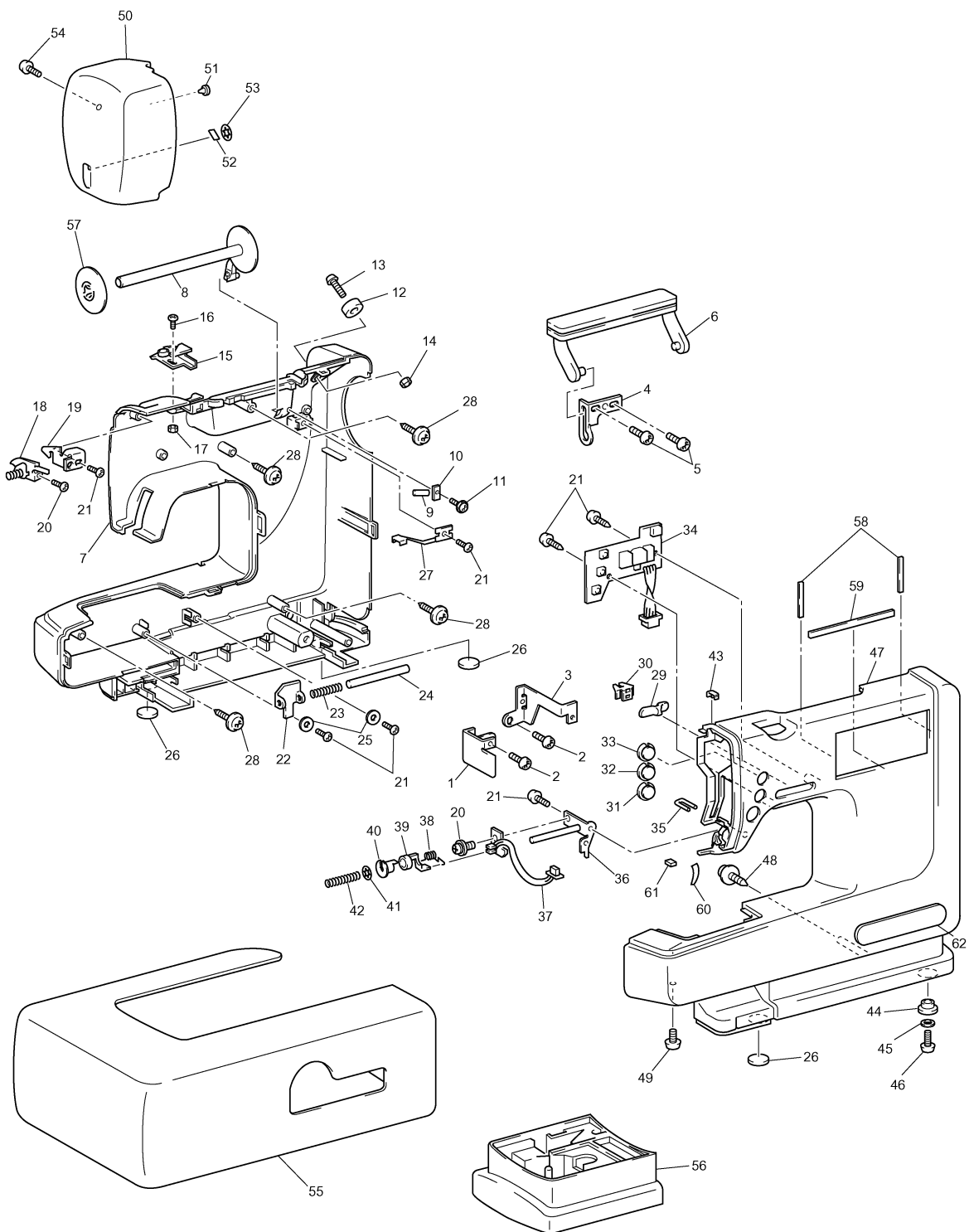
6.2002.
6.2004.

CONTENTS

(1) PRINCIPAL PARTS.....	2
(2) NEEDLE BAR, PRESSER BAR AND ZIGZAG.....	4
(3) UPPER SHAFT, THREAD TAKE-UP LEVER, VERTICAL SHAFT AND BOBBIN WINDER.....	6
(4) FEED MECHANISM AND ROTARY HOOK ASSY.....	8
(5) NEEDLE THREADER.....	10
(6) LAMP, MAIN PC BOARD ASSY AND MOTOR UNIT.....	12
(7) EMBROIDERY UNIT.....	14
(8) OTHER PARTS.....	16

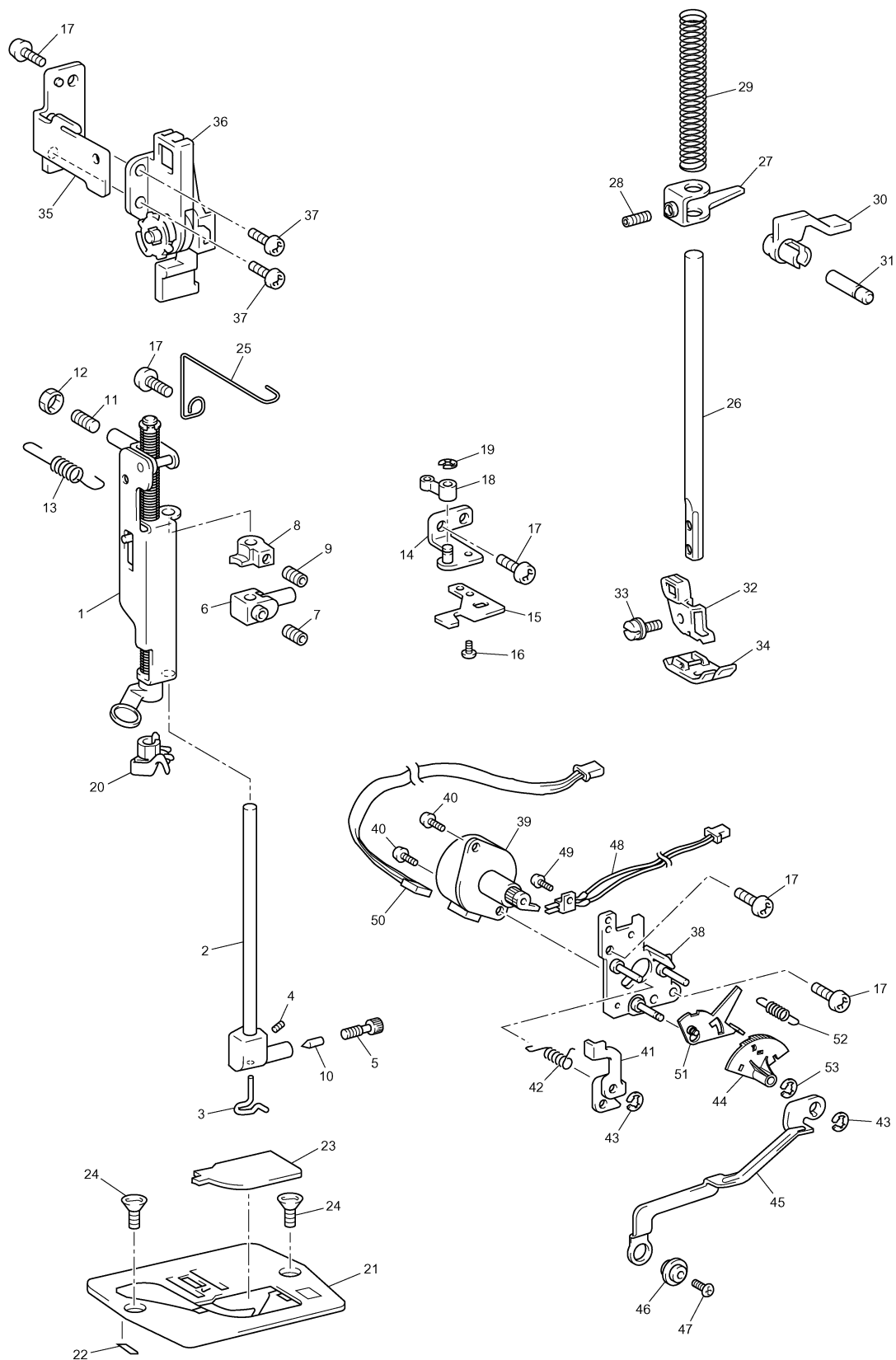
(1) PRINCIPAL PARTS

No.	CODE	NAME	REMARKS	No.	CODE	NAME	REMARKS
1	XA5062051	Set plate A		45	026350235	Washer 3.5	
2	X57908051	Screw S4 × 10		46	083361216	Screw B3.5 × 10	
3	XA5063151	Set plate B		47	XA5082053	FRONT COVER	CHG
4	XA5541000	Handle guide			XA5082055	FRONT COVER (P1000)	ADD
5	060400616	Screw 4 × 6		48	087411416	Screw B4 × 14	
6	XA5542001	Handle assembly		49	060400816	Screw 4 × 8	
7	XA5067053	Rear cover		50	XA6549051	Face plate assy	
8	XA6692051	Spool stand bar		51	X51895051	FACE PLATE BUSH	ADD
9	XA5069051	Spool stand bar shaft		52	X80321001	NT thread cutter assembly	
10	XA5762051	Presser plate		53	138384051	Retaining ring CS5	
11	087300517	Screw 3 × 5		54	0A4400806	Screw 4 × 8 DA	
12	X59864151	Bobbin presser		55	XA6551051	ARM COVER ASSY	CHG
13	052301606	Screw 3 × 16			XA6551053	ARM COVER ASSY (P1000)	ADD
14	021300106	Nut 3		56	XA5105051	Accessory case	
15	XA5070151	Spool guide assembly		57	X55260152	Spool cap C	
16	0A4300806	Screw 3 × 8		58	XA6038051	Front cover spacer A	
17	021300106	Nut 3		59	XA6039051	Front cover spacer B	
18	XA5072101	Thread guide plate assembly		60	XA6040051	Spring tape	
19	XA5076001	Thread guide plate		61	XA5517050	Rubber	
20	052300606	Screw 3 × 6		62	XA6567001	DECORATION PLATE FOR PE-300S	CHG
21	136681051	Screw B3 × 8					
22	XA5077051	Slide lever					
23	XA5078051	Spring					
24	XA5079051	Slide lever shaft					
25	XA5525051	Washer					
26	130157051	Rubber cushion					
27	XZ0047051	Leaf spring					
28	087411416	Screw B4 × 14					
29	XA5083051	SV key top					
30	XA5084000	SV joint plate					
31	XA5092151	SS button					
32	XA5093051	Reverse sewing					
33	XA5094051	NP button					
34	XC0392051	Assy SSVR					
35	XA5085050	Thread guide wire					
36	XA5086201	Thread guide bar sub assy					
37	XC0394051	Assy UTHD					
38	XA5089151	Spring					
39	XA5090001	Thread cutting shutter					
40	XA5091001	Thread cutting shutter cover					
41	120454051	Retaining ring CS3					
42	XA5680050	Thread guard					
43	XA7890050	Front cover thread guard					
44	138337051	Rubber cushion A					



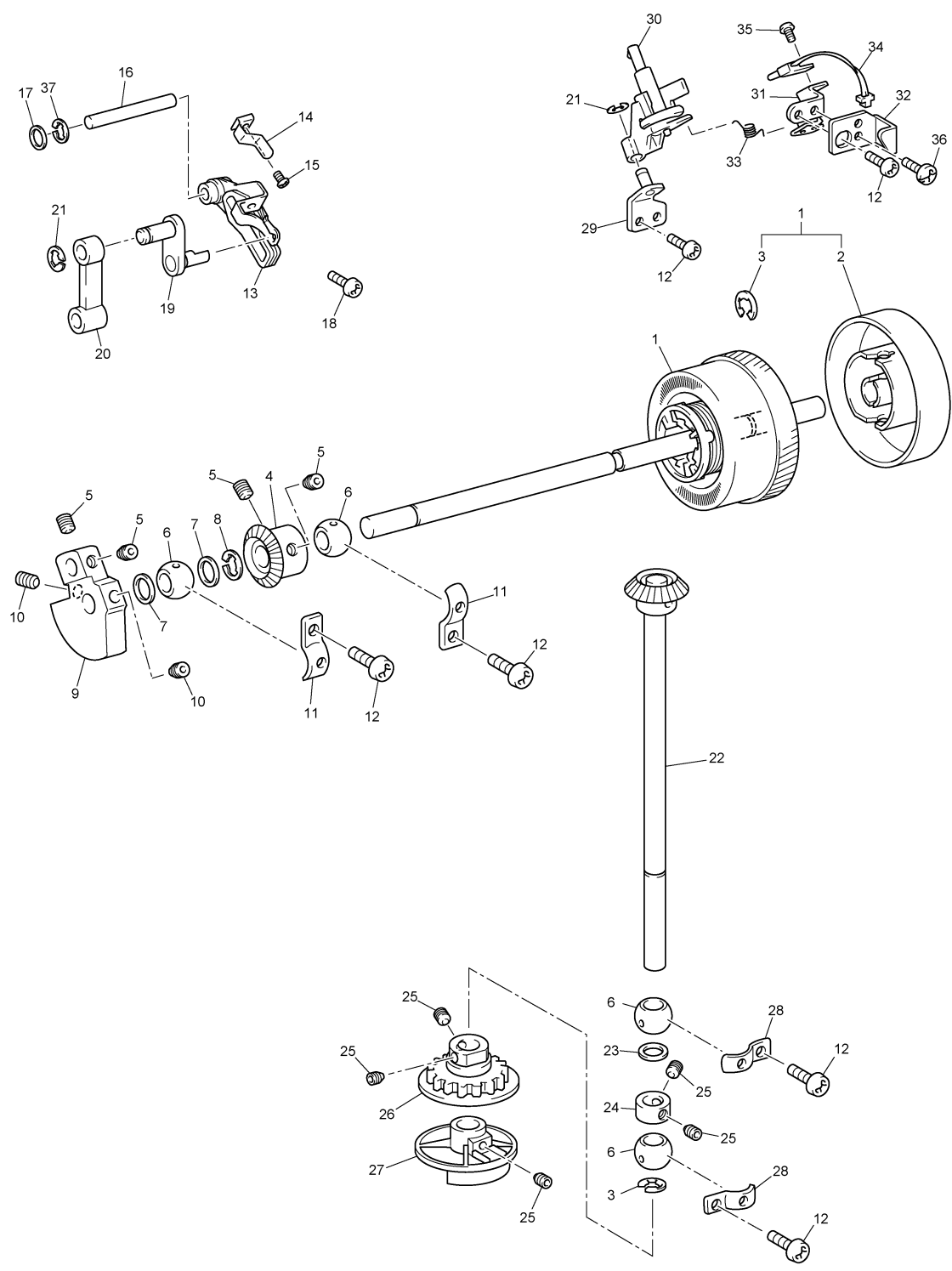
(2) NEEDLE BAR, PRESSER BAR AND ZIGZAG

No.	CODE	NAME	REMARKS	No.	CODE	NAME	REMARKS
1	XA5116151	Thread guide assembly		45	XA5215201	Zigzag connecting rod	
2	XA5129251	Needle bar assembly		46	XA5989000	Zigzag nut	
3	XA5132150	Needle bar thread guide		47	062300806	Screw 3 × 8	
4	014300332	Screw 3 × 3		48	XA5216251	Assy, PF switch	
5	XA5133251	Screw		49	062260516	Screw 2.6 × 5	
6	XA5134051	Needle bar block assy		50	XA5475051	Assy, Lead wire for Z pm	
7	014400432	Screw 4 × 4		51	XA6019101	Z gear arm assembly	
8	XA7670051	Positioning supporter		52	XA6022051	Spring	
9	012400432	Screw 4 × 4		53	048020346	Stop ring E2	
10	XA5779051	Pin					
11	014401232	Screw 4 × 12					
12	X56851051	Nut					
13	XA8540051	Spring					
14	XA5138151	H shaft holder sub assy					
15	XA5247051	Thread guide					
16	0A5300806	Screw 3 × 8 DB					
17	X57908051	Screw S4 × 10					
18	X51927050	Needle bar supporter arm					
19	048020346	Stop ring E2					
20	XA1854051	Threader hook assembly					
21	XC0413051	Needle plate assembly					
22	X80321001	NT thread cutter assembly					
23	X56828151	Needle plate cover					
24	X50487051	Screw M4					
25	XZ0046051	STOPPER	ADD				
26	XA5153051	Presser bar					
27	XA5154051	Presser bar bracket					
28	014401032	Screw M4 × 10					
29	XA5155051	Spring					
30	XA5156151	Presser foot lifter					
31	XA5157151	Stud for presser foot lifter					
32	XC3015051	PRESSER FEED HOLDER ASSY	CHG				
33	132730151	Screw 3.57					
34	X51953051	Zigzag presser foot					
35	XA5166051	BH switch base plate					
36	XA5158051	BH switch assembly					
37	060300616	Screw 3 × 6					
38	XA5206151	ZPM holder sub assembly					
39	Z26551051	Z PULSE MOTOR	CHG				
40	060300416	Screw 3 × 4					
41	XA5212051	Release lever					
42	XA5213151	Spring					
43	048025346	Stop ring E2.5					
44	XA6018000	Z gear					



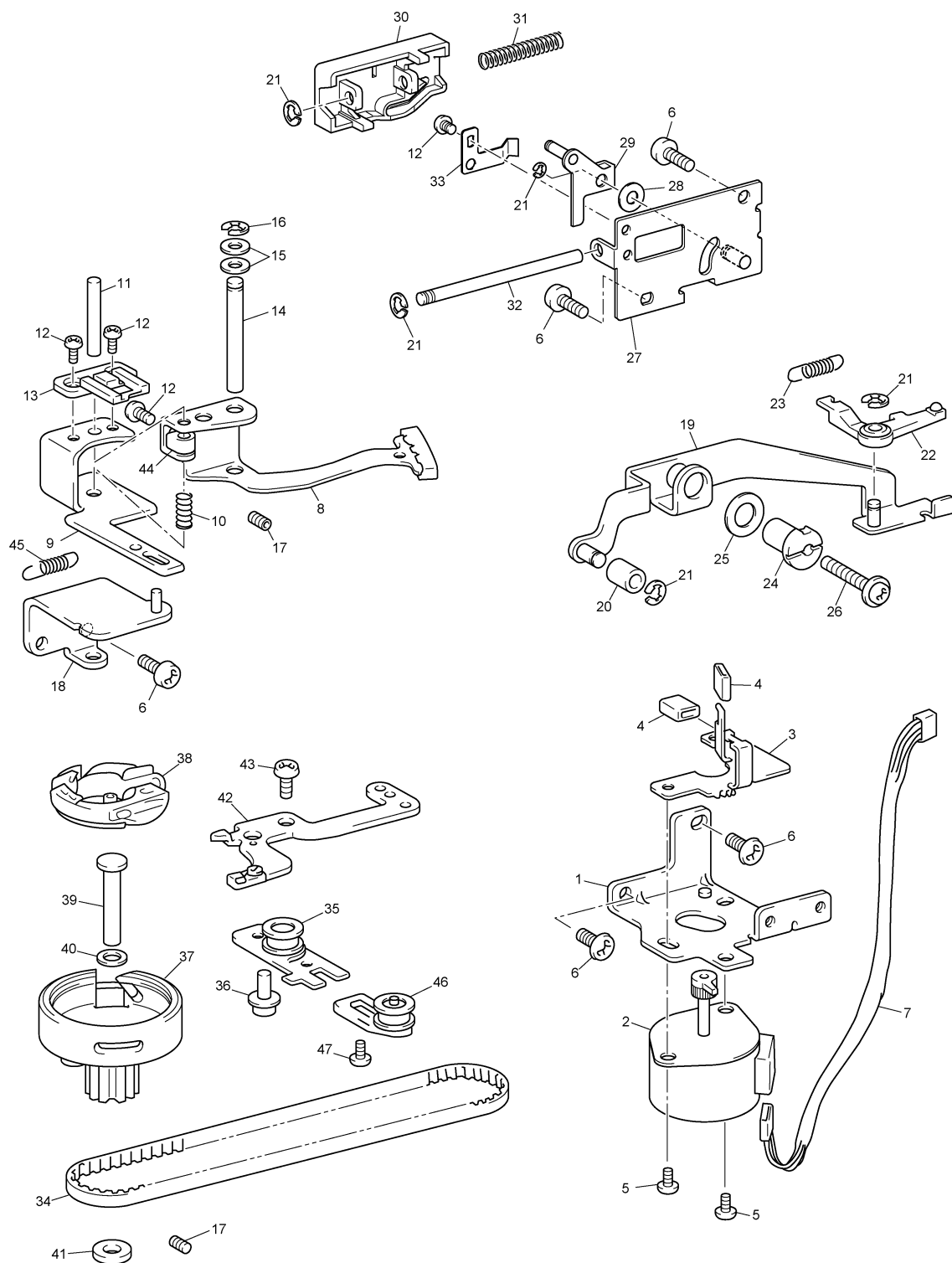
(3) UPPER SHAFT, THREAD TAKE-UP LEVER, VERTICAL SHAFT AND BOBBIN WINDER

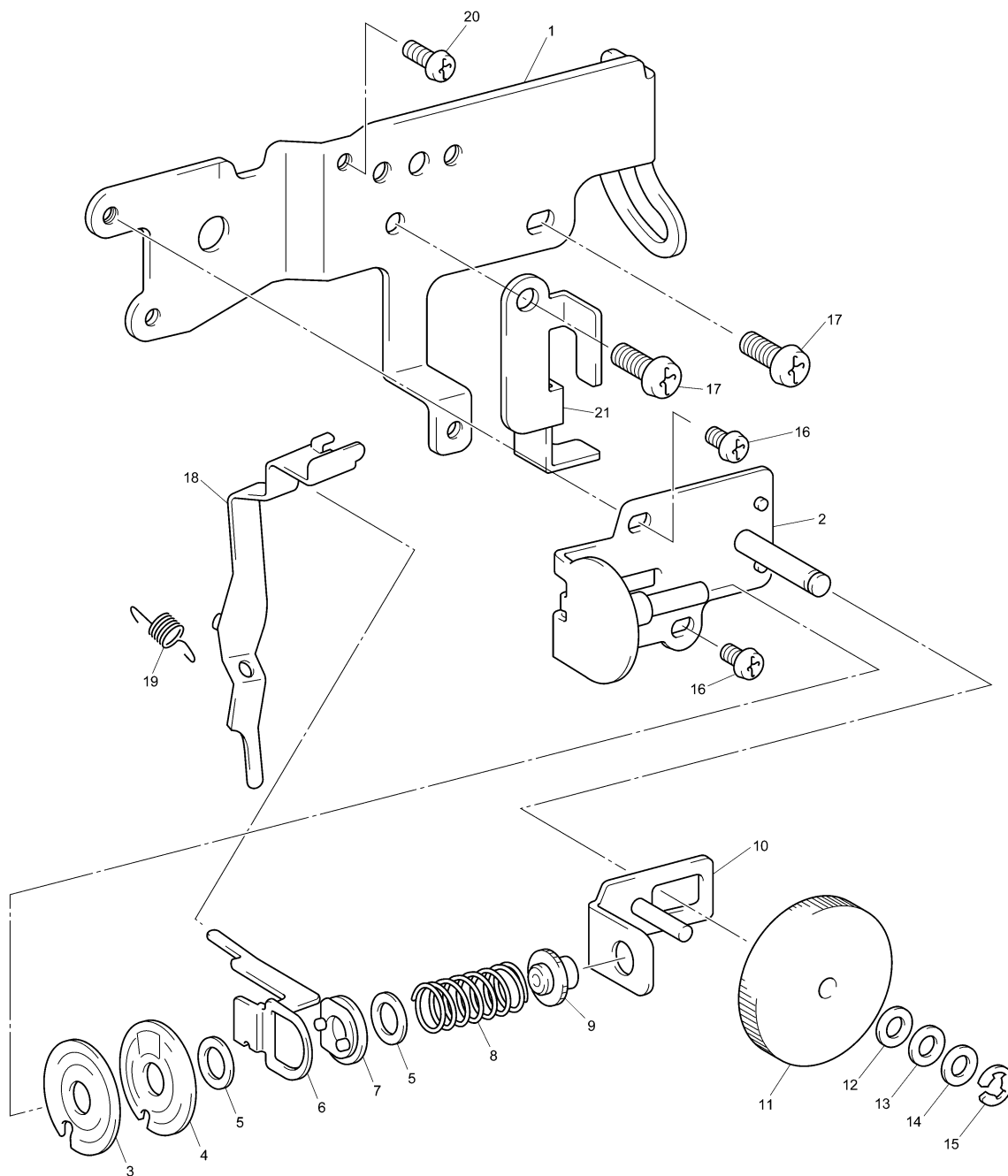
No.	CODE	NAME	REMARKS
1	X81086051	Upper shaft assembly	
2	XA5109151	Pulley	
3	048060346	Stop ring E6	
4	X55154050	Upper shaft gear	
5	014500532	Screw 5 × 5	
6	X52664050	LOWER SHAFT BUSHING	CHG
7	X51383050	WASHER, THRUST	CHG
8	048060346	Stop ring E6	
9	XA5114050	Thread take-up counter weight	
10	012500532	Screw 5 × 5	
11	132421051	Bushing presser	
12	X57908051	Screw S4 × 10	
13	XA6110001	Thread take-up lever	
14	XA5703200	Thread presser plate	
15	XA1387051	Screw 2 × 3	
16	XA7624051	Take-up lever shaft	
17	048050346	Stop ring E5	
18	XA0649051	Screw S4 × 16	
19	X55193151	Needle bar crank assembly	
20	X55197050	Needle bar crank rod	
21	048040346	Stop ring E4	
22	XA4255151	Vertical shaft sub assy	
23	X51383050	WASHER, THRUST	CHG
24	137768151	Set screw collar	
25	014400432	Screw 4 × 4	
26	XA5221001	Vertical shaft pulley	
27	XA5222051	Timing shutter	
28	132421051	Bushing presser	
29	XA5223051	Bobbin winder plate A assembly	
30	XA5225051	Bobbin winder pulley assembly	
31	XA5230151	Bobbin winder spring plate	
32	XA6037001	Set plate	
33	XA5231251	Bobbin winder spring	
34	XA5232151	Assy, BW switch	
35	062260516	Screw 2.6 × 5	
36	060400816	Screw 4 × 8	
37	XA1866051	Washer, spring	



(4) FEED MECHANISM AND ROTARY HOOK ASSY

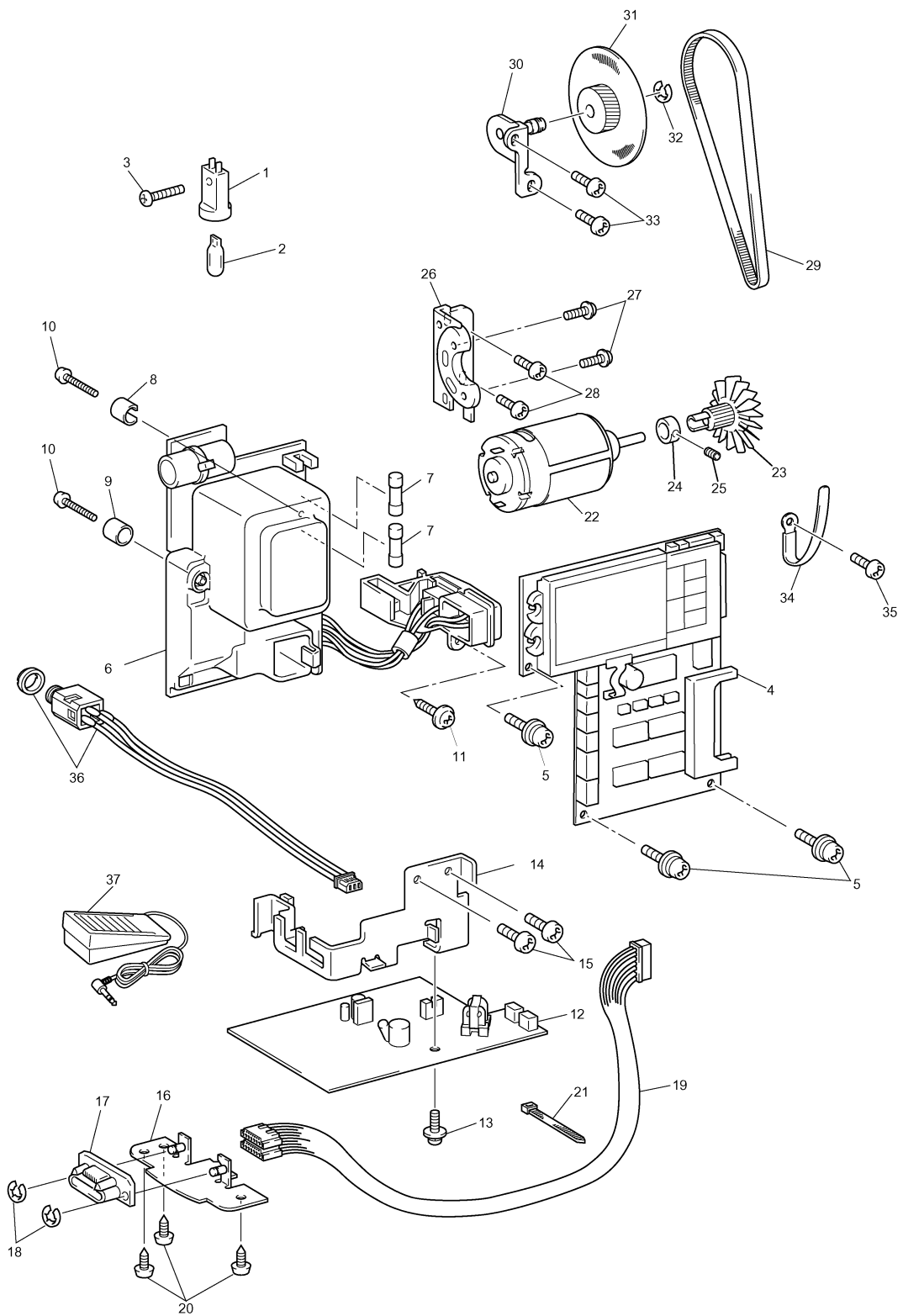
No.	CODE	NAME	REMARKS	No.	CODE	NAME	REMARKS
1	XA5167250	FPM holder		44	XA6105000	Bush	
2	Z26555051	Z PULSE MOTOR	CHG	45	XA6263051	Spring	
3	XA5169251	Initial plate		46	XA6319051	Supporting pulley assembly	
4	XA2189050	Initial rubber		47	060400616	Screw M4 × 6	
5	052300606	Screw 3 × 6					
6	X57908051	Screw S4 × 10					
7	XA5168051	Assy lead wire for F PM					
8	XA5171101	Feed gear					
9	XA5172051	Feed bar					
10	XA5173051	Spring					
11	XA5174151	Guide shaft					
12	060300416	Screw 3 × 4					
13	XA7270051	Feed dog					
14	XA5175051	Horizontal feed shaft					
15	X53027050	Washer					
16	048040346	Stop ring E4					
17	014400632	Screw 4 × 6					
18	XA5176051	Guide pin holder assembly					
19	XA8871051	Up-down feed arm assembly					
20	XA5184050	Bush					
21	048030346	Stop ring E3					
22	XA8873050	Drop lever					
23	XA5186051	Spring					
24	XA5187050	Collar					
25	131976051	Washer					
26	0A4403005	Screw 4 × 30 DA					
27	XA5189051	Drop holder sub assy					
28	X53027050	Washer					
29	XA5192051	Drop plate assembly					
30	XA5195051	Drop knob					
31	XA5196051	Spring					
32	XA5197051	Drop knob shaft					
33	XA5611001	Spring, plate					
34	X55323051	Timing belt 150 XL 015					
35	XA6305051	Belt tension pulley assembly					
36	XA8474051	Upset 4 × 12 DB					
37	XA5203151	Outer rotary hook assembly					
38	XA5619151	Inner rotary hook assembly					
39	XA0360151	OUTER ROTERY HOOK SHAFT	CHG				
40	XA2190050	Washer U					
41	XA0361050	Washer					
42	XZ0127051	INNER ROTARY HOOK BRACKET ASSY	CHG				
43	060400816	Screw 4 × 8					





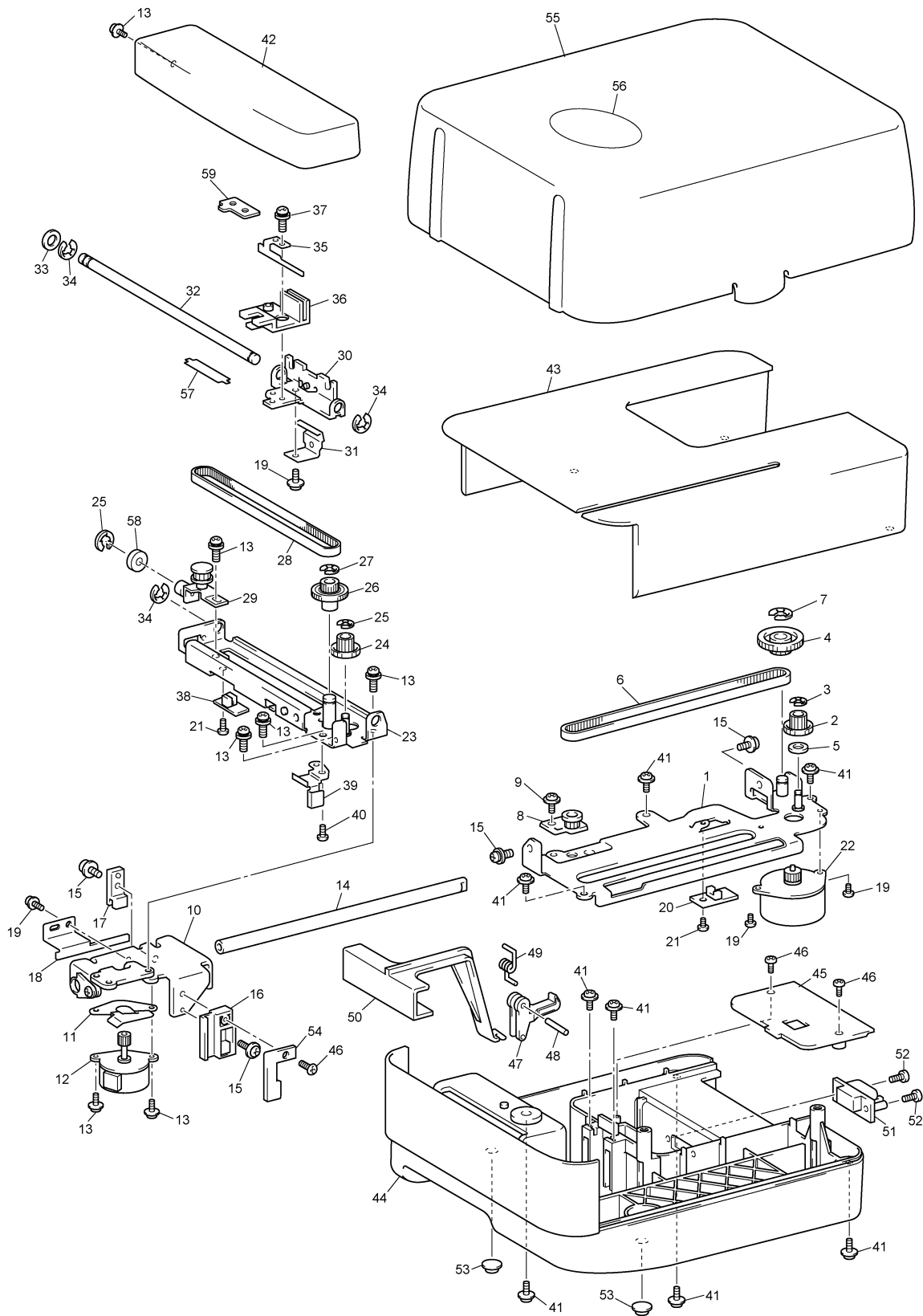
(6) LAMP, MAIN PC BOARD ASSY AND MOTOR UNIT

No.	CODE	NAME	REMARKS	No.	CODE	NAME	REMARKS
1	XA5248051	Assy WB lamp		33	060400816	Screw 4 × 10	
2	X50228051	WB lamp		34	XA8318051	Lead clip for 120V	
3	085301415	Screw P3 × 14		35	X57908051	Screw S4 × 10 for 120V	
4	X81137051	MAIN PC BOARD ASSY 120 (USA/CAN)	CHG	36	X81140001	Pin jack assy	
	X81145051	MAIN PC BOARD ASSY 230 (EUROPE)	CHG	37	XC6651151	FOOT CONTROLLER : FC-313-81-LF	ADD
	X81163051	MAIN PC BOARD ASSY P-1000 (AUS)	CHG				
	X81201051	MAIN PC BOARD ASSY (OTHERS)	CHG				
5	052300606	Screw 3 × 6					
6	X81138051	Power supply unit ASSY for 120V	CHG				
	X81139051	Power supply unit ASSY for 230V	ADD				
7	XA4871051	G fuse 3.15AA for 120V					
	XA1463051	G fuse 2AT for 230V	ADD				
	XA4872051	G fuse 3.15AB for 230V	ADD				
8	XA5373051	Power unit cover B					
9	XA5374051	Power unit cover C					
10	052403006	Screw 4 × 30					
11	XA5278051	Screw P4 × 14					
12	XC0386051	NP board assembly #2					
13	0A5301006	Screw 3 × 10DB					
14	XA5284151	Set plate C					
15	060300516	Screw 3 × 5					
16	XA5289151	Connector holder assembly					
17	X56302001	Connector 176496					
18	048025346	Stop ring E2.5					
19	XA5267051	Assy, lead wire for XY PM					
20	136681051	Screw B3 × 8					
21	X53169050	Band #2					
22	XC2001051	MOTOR ASSEMBLY : 120V	CHG				
	XC2004051	MOTOR ASSEMBLY : 230V	CHG				
23	XA5295051	MM pulley 2GT14					
24	130676151	Set screw collar					
25	014400632	Screw 4 × 6					
26	XA5296151	Motor holder					
27	0A4301005	Screw 3 × 10 DA					
28	138172051	Screw 4 × 10 DA					
29	XA5297151	Timing belt 258-2GT for 120V					
	XA7677051	Timing belt for 230V	ADD				
30	XA5298051	Pulley holder assembly					
31	XA5301051	Idol pulley					
32	048050346	Stop ring E5					



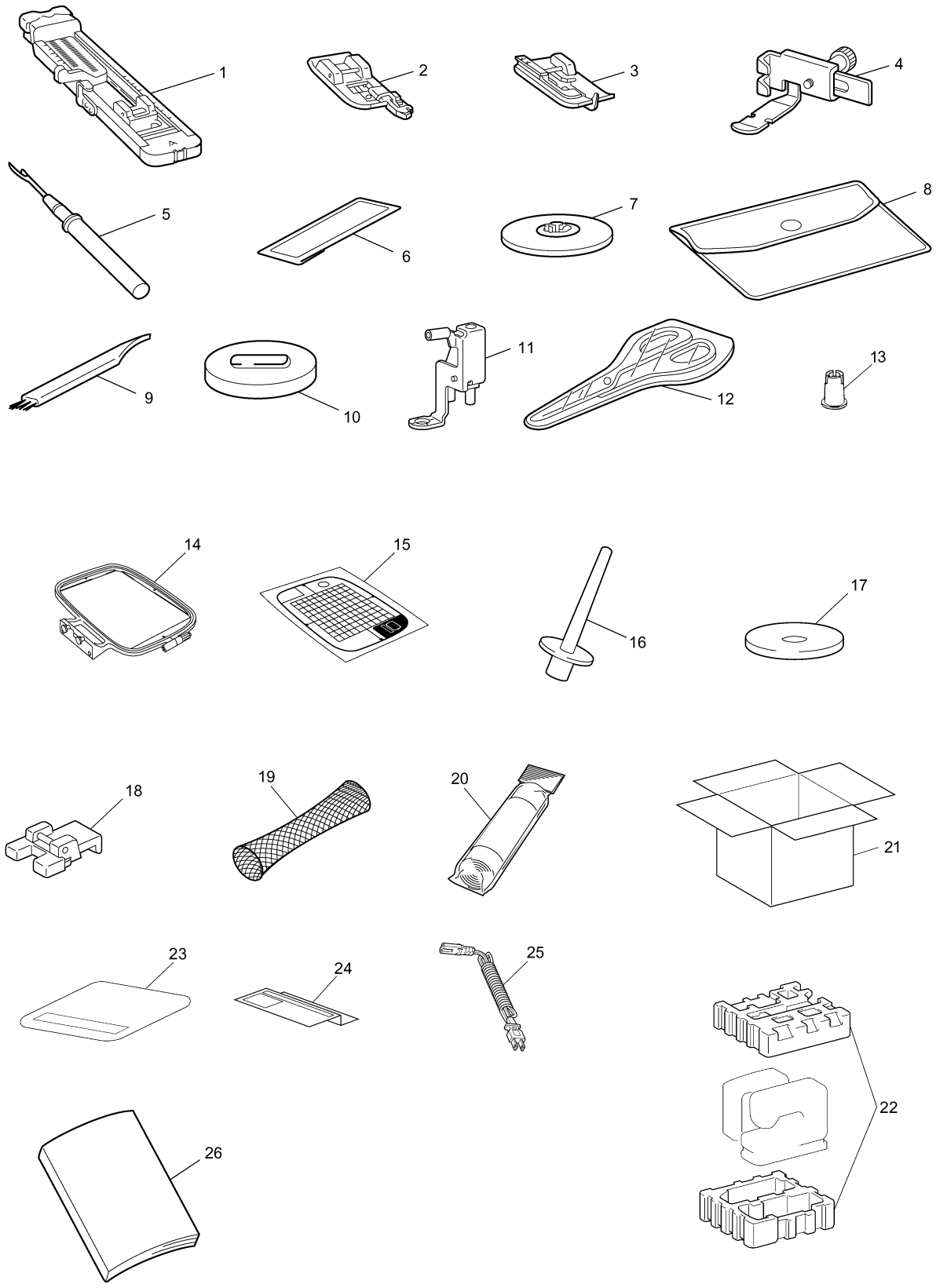
(7) EMBROIDERY UNIT

No.	CODE	NAME	REMARKS	No.	CODE	NAME	REMARKS
1	XA5302001	Main frame assembly		45	XA5348051	ES cover D spacer	
2	XA5306000	X gear		46	136681051	Screw B3 × 8	
3	048030346	Stop ring E3		47	XA5349050	Rock finger	
4	XA5307000	X driving gear		48	XA0814051	Pin G 4 × 20	
5	X53330050	Washer		49	XA2157051	Spring	
6	X58715051	Timing belt 40S2M400		50	XA5350051	Rock finger button	
7	048060346	Stop ring E6		51	X56302001	Connector 176496	
8	XA5308051	X tension pulley assembly		52	085411415	Screw B4 × 14	
9	XA6907051	Screw 4 × 8		53	X59853050	Rubber cushion	
10	XA5312051	X carriage supporter assembly		54	XA5352000	Cord presser	
11	XA5314050	Cord guide		55	XA6560051	ES UNIT COVER ASSY (USA/CAN)	CHG
12	XA5315051	Y pulse motor			XA6560052	ES UNIT COVER ASSY (OTHERS)	ADD
13	052300606	Screw 3 × 6			XA6560053	ES UNIT COVER ASSY (P1000)	ADD
14	XA5316051	X guide shaft		56	XA6564001	ES COVER SHEET	CHG
15	0A4400806	Screw 4 × 8			XA5685001	ES COVER SHEET (P1000)	ADD
16	XA5317150	X slider		57	XA6281000	Y presser plate	
17	XA5318100	X belt presser		58	XA6152051	Roller assembly	
18	XA5319100	X shutter		59	XA6334000	Shutter presser plate	
19	0A4300506	Screw 3 × 5 DA					
20	XC0417051	Assy, X initial sensor					
21	000020415	Screw M2 × 4					
22	XA5323051	X pulse motor					
23	XA5324181	X carriage assembly	CHG				
24	XA5328000	Y gear					
25	048020346	Stop ring E2					
26	XA5329000	Y driving gear pulley					
27	048060346	Stop ring E6					
28	XA5330051	Timing belt 40S2M316					
29	XA6151051	Y tension pulley assembly					
30	XA5338001	Y carriage					
31	XA5339101	Notched spring					
32	XA5340151	Y guide shaft					
33	103810052	Spring					
34	048040346	Stop ring E4					
35	XA5341000	Y shutter					
36	XA5342100	Y slider					
37	XA8390051	Screw 3 × 7					
38	XC0419051	Assy, Y initial sensor					
39	XA5346050	Cord holder					
40	060300416	Screw 3 × 4					
41	087411416	Screw B4 × 14					
42	XC2133051	Carriage cover					
43	XA5285053	ES cover U					
44	XA6024051	ES cover D assy					



(8) OTHER PARTS

No.	CODE	NAME	REMARKS	No.	CODE	NAME	REMARKS
1	X57789151	BH PRESSER FOOT	CHG		UH3851001	WARRANTY CARD EUR	ADD
2	XC3098051	OVERCASTING STITCH FOOT ASSY	CHG		XC6402051	WARRANTY CARD (U.K.)	ADD
3	X56409051	BLIND STITCH FOOT ASSY	CHG		XA6351151	WARRANTY CARD (ITA)	ADD
4	103561002	ZIPPER FOOT	ADD		181401172	INSERTION WARRANTY COUPON	ADD
5	X54243001	Seam ripper			XA1392051	BACKING MATERIAL SHEET	ADD
6	XA6627051	Needle set			XC7460051	ACCESSORY LEAFLET (P1000)	ADD
7	130012053	Spool cap A			XC7528001	G.LEAFLET 12	
8	XC4487051	ACCESSORY BAG	CHG		X81264051	G.LEAFLET NO.24	
9	X59476051	Cleaning brush			X81074001	G.LEAFLET DISNEY	
10	XA2005051	Needle plate fixing metal					
11	XA5357001	Embroidery foot assembly					
12	184783051	SCISSORS	CHG				
13	XA5752001	Spool cap (small)					
14	XA5353101	EMBROIDERY FRAME S2M					
15	XA5590151	EMBROIDERY SHEET S2M ASSY					
16	XA3336051	Spool pin					
17	X57045051	Felt					
18	X59375151	Button fitting foot					
19	XA5523050	Net					
20	XA1391001	Backing material					
21	X61252053	CARTON (USA/CAN)	CHG				
	X61252054	CARTON (OTHERS)	CHG				
	X61252055	CARTON (P1000)	ADD				
	X61252054	CARTON (IRAQ)	ADD				
22	X61248051	POLYSTYRENE FORM PAD ASSY, 145	CHG				
	X61248052	POLYSTYRENE FORM PAD ASSY, 145 (KOREA)	ADD				
23	X61188150	PE sheet					
24	XA6565051	Caution sheet					
25	XA1291051	POWER SUPPLY CORD : (KOREA)	CHG				
	XA0070151	POWER SUPPLY CORD	CHG				
	X59328151	POWER CORD	CHG				
	X59354151	POWER SUPPLY CORD -BS	040124				
26	194147011	Instruction manual (English)					
	194147015	Instruction manual (French)					
	194147013	Instruction manual (German)	ADD				
	194147060	Instruction manual (Disney)					
	X61212051	HEAD COVER	ADD				
	XZ0107051	ES PAD D	ADD				
	130800051	BAG 220X310	ADD				
	X60679051	BAG 450X400H	ADD				
	XC0378051	WARRANTY CARD (U.S.A.)	ADD				



PE300S, P1000
12F02HF882145
Printed in Japan