

SERVICE MANUAL

&

PARTS LIST

PED-Basic/ECS-E1

2. 2002.

Table of Contents

* Service Manual

I. Main Configuration.....2

II. Diagnosing a Breakdown in the Electrical System4

* Parts List5

■ GENERAL INFORMATION

This service manual has been compiled for explaining repair procedures of the Card module.

This was produced based on up-to-date product specifications at the time of issue, but there may have been changes of specifications for the purpose of improvements.

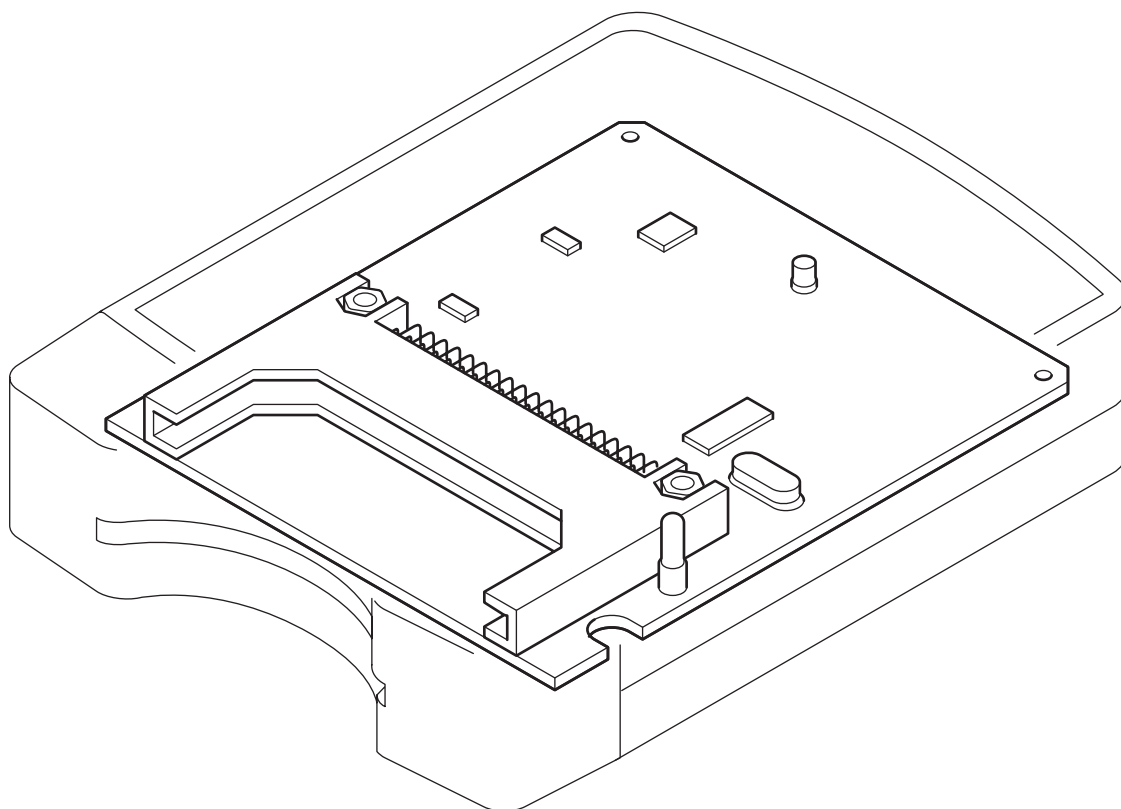
Contact manufacturer or local sales company for information concerning such changes.

● CAUTION ●

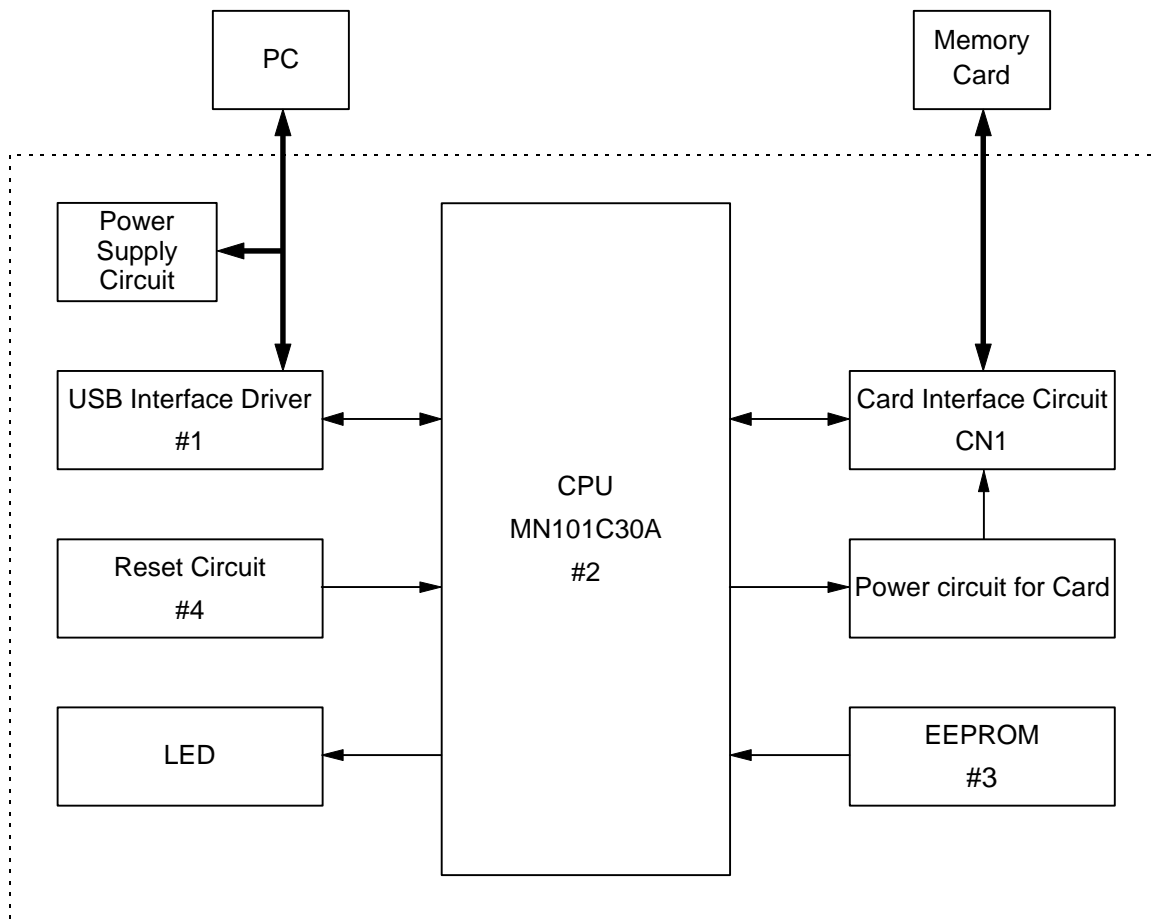
1. Always use rubber gloves when handling printed circuit boards and never touch the metal portion of a printed circuit board with bare hands.
2. Keep your body earthed in order to avoid generating static electricity.
3. Pack printed circuit boards in aluminum foil and avoid subjecting them to any form of impact during storage or transportation.
4. Do not touch or damage the metal portion of a printed circuit board with a screwdriver or any other tool while making repairs or the like.

I. Main Configuration

1. Main Components



2. Control System Block Diagram



II. Diagnosing a Breakdown in the Electrical System

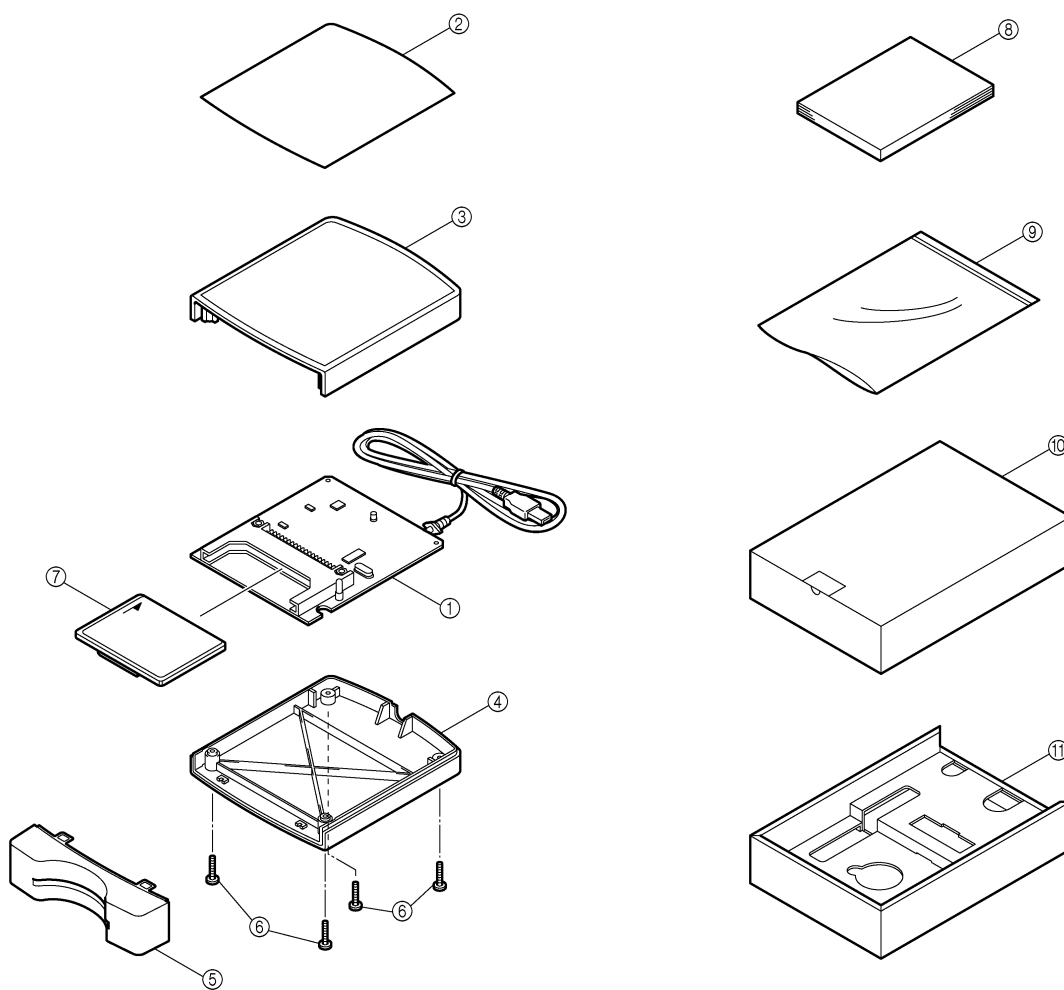
Diagnosing a breakdown in the electrical components

Situation	Locating the Problem	Solution
① Even though the USB connector of the unit is connected to the USB connector of the computer, the unit's LED does not light up.	① Is the bus power hub not connected? ② If the unit is connected to another computer, does the unit's LED light up? ③ Others	① Connect the unit directly to a computer or to a self-powered hub. ② Check the USB interface of the original computer. ③ Replace the main PC board assy.
② Even though a memory card is inserted, a message warning that a card is not inserted appears.	① Is the memory card fully inserted? ② Does the error message appear when another memory card is inserted? ③ Others	① Check that the card is fully inserted. ② Use a different memory card. ③ Replace the main PC board assy.
③ A message warning that the driver may not be installed correctly appears.	① Was installation performed according to the instructions? ② Others	① Perform the installation again. ② Perform the installation again. (After uninstalling the application and the driver, perform the installation again.)

* **Parts List**

Main body

1	XC3005-001	MAIN PC BOARD ASSEMBLY (PED-Basic)
	XC3006-001	MAIN PC BOARD ASSEMBLY (ECS-E1)
2	XC2113-001	DECORATION PLATE (PED-Basic)
	XC2119-001	DECORATION PLATE (ECS-E1)
3	XC2110-001	TOP COVER
4	XC2111-001	BOTTOM COVER
5	XC2112-001	SIDE COVER (PED-Basic)
	XC2112-002	SIDE COVER (ECS-E1)
6	083201-016	SCREW
7	XC0400-001	BLANK MEMORY CARD (PED-Basic: OTHER THAN USA & CANADA)
	XC0400-002	BLANK MEMORY CARD (PED-Basic: USA & CANADA)
	XC0402-001	BLANK MEMORY CARD (ECS-E1)
8	191915-001	INSTRUCTION MANUAL (PED-Basic)
	191915-002	INSTRUCTION MANUAL (ECS-E1)
9	XA0188-001	PE BAG
10	X61815-001	CARTON (PED-Basic)
	X61816-001	CARTON (ECS-E1)
11	X61821-001	INNER CARTON



PED-Basic
ECS-E1
03B02HF122915
Printed in Japan