

PARTS CATALOGUE FOR

MODEL B346(PS-1000)

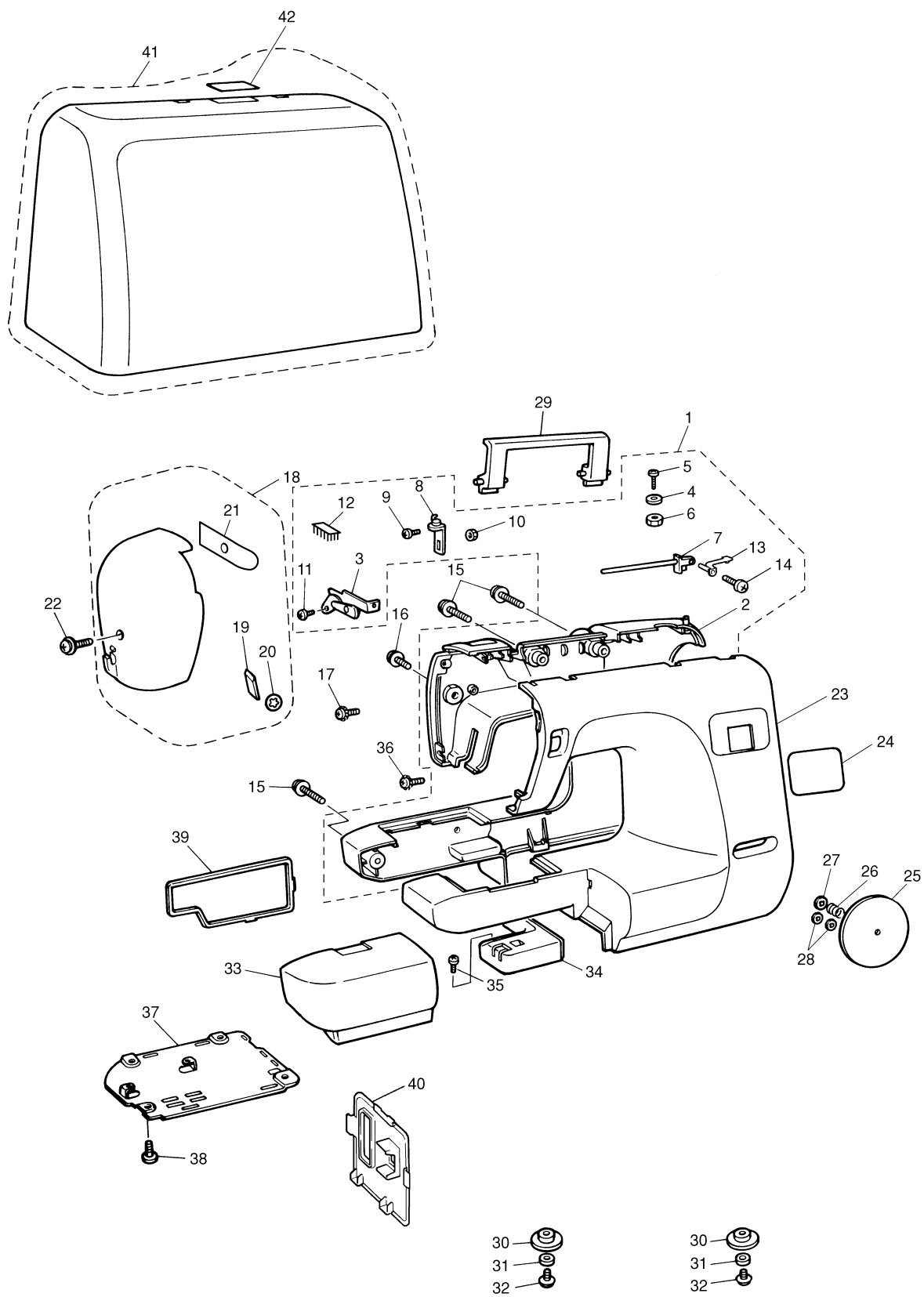
B347(PS-1250, STAR10/2000)

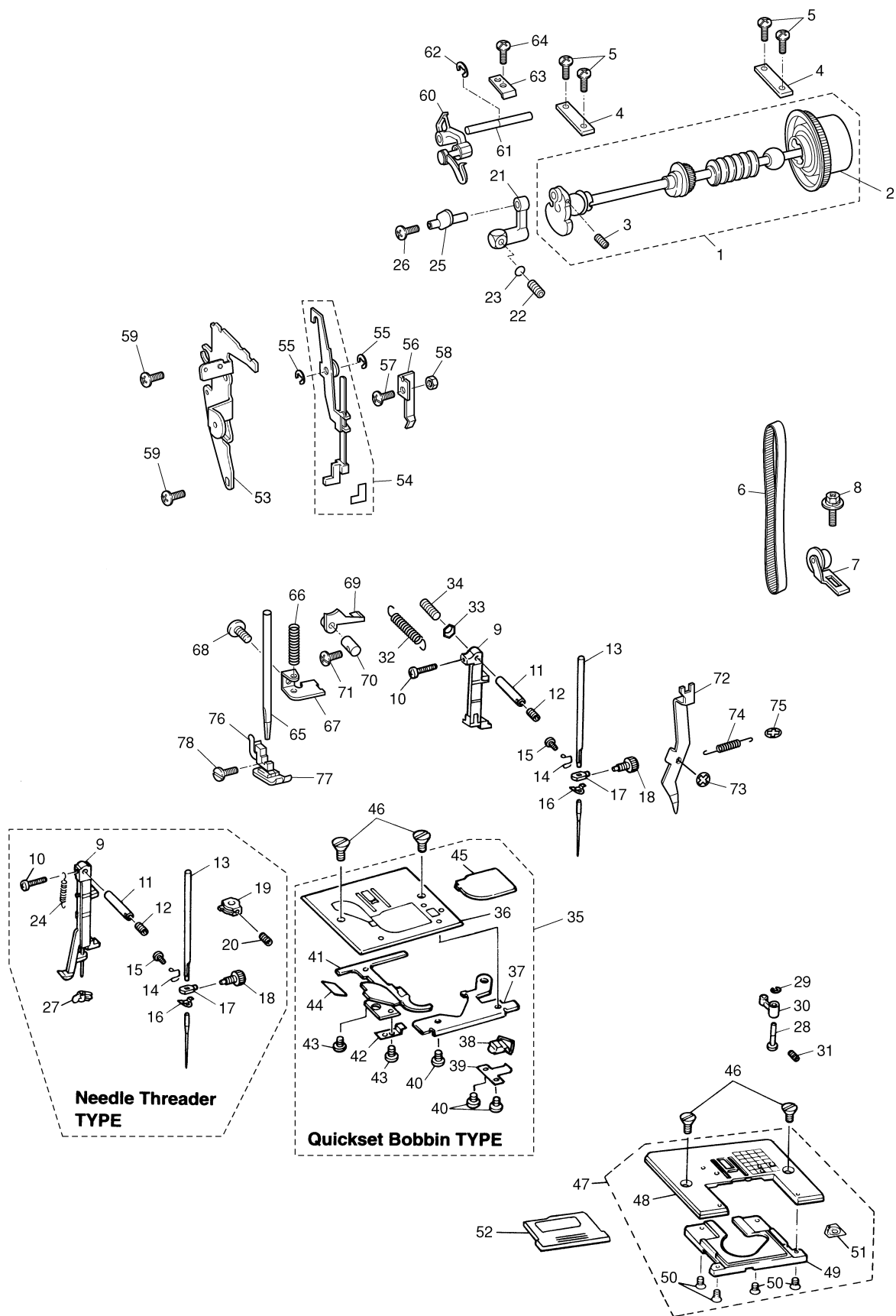
**B348(PS-1800, STAR15/20,
MY STAR15, R3100, DIANA)**

1. 2000.

CONTENTS

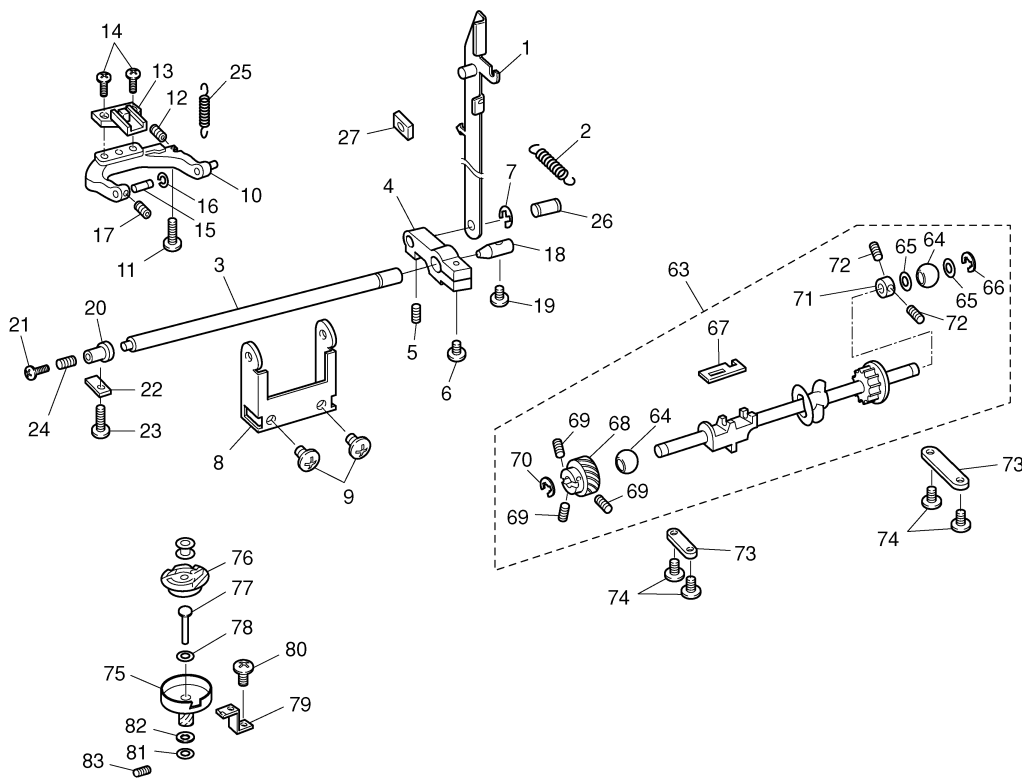
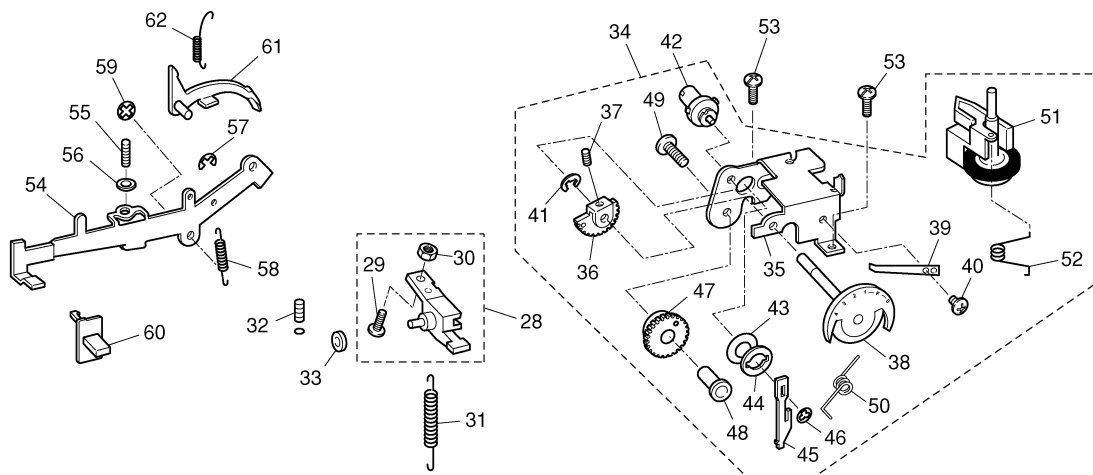
(1) PRINCIPAL PARTS.....	2
(2) UPPER SHAFT AND NEEDLE BAR.....	4
(3) FEED MECHANISM AND ROTARY HOOK.....	6
(4) BH MECHANISM AND ZIGZAG MECHANISM	8
(5) LAMP, THREAD GUIDE AND MOTOR UNIT	10
(6) ACCESSORY	12





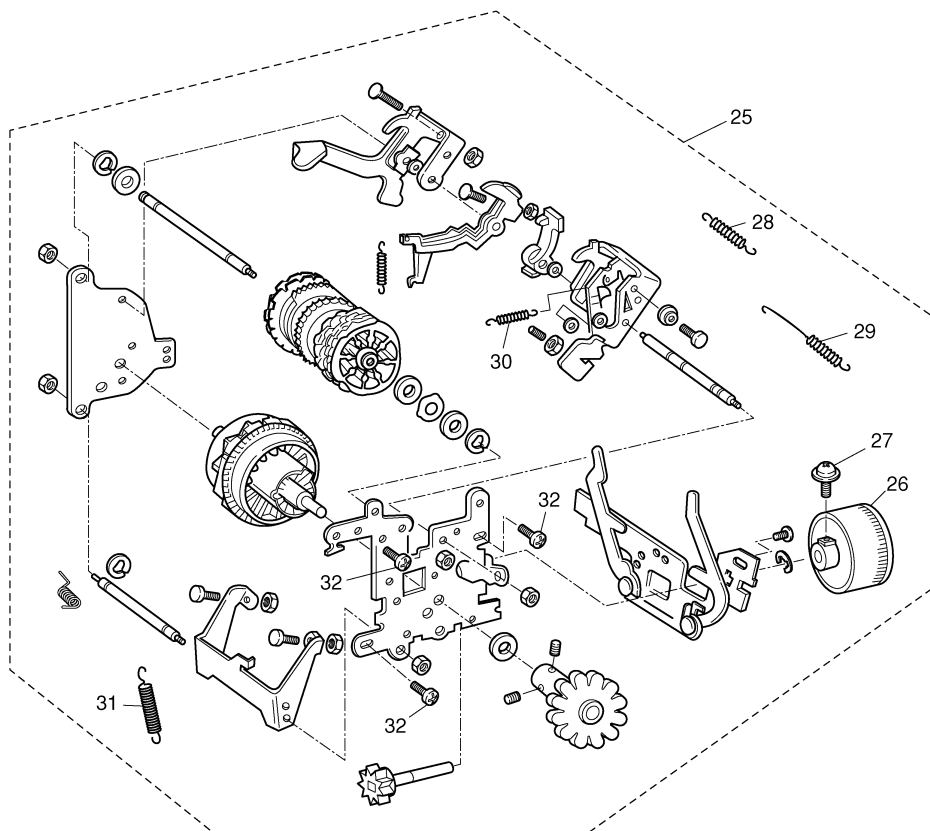
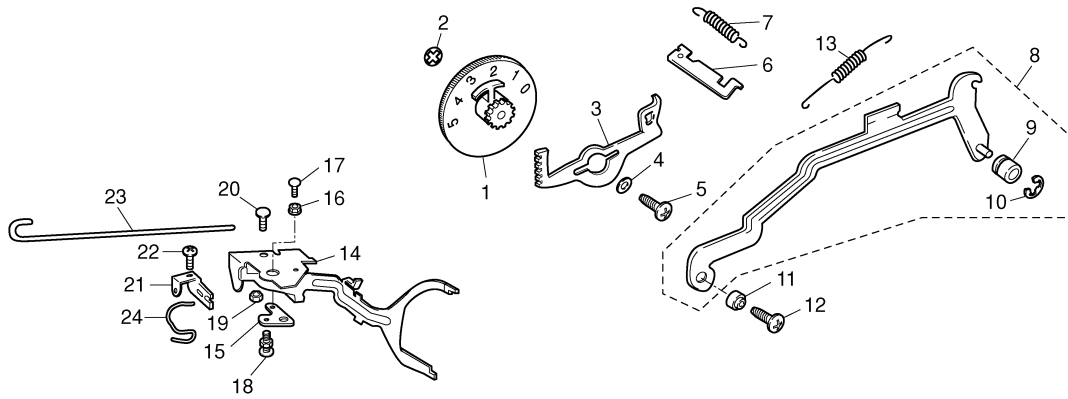
(3) FEED MECHANISM AND ROTARY HOOK

No.	CODE	PARTS NAME	REMARKS	No.	CODE	PARTS NAME	REMARKS
1	X59900151	Feed connecting rod		45	X59930051	BH adjusting lever	
2	X59905051	Spring extension		46	138334051	Retaining ring CSTW-2	
3	X59907050	Horizontal feed shaft		47	X59931050	Feed gear B	
4	X57362051	Horizontal feed arm		48	X59932050	Feed gear shaft	
5	014400432	Set screw, Socket(CP)M4×4		49	060401416	Screw, Bind M4×14	
6	X59255051	Screw, Bolt M4×14		50	X59933051	Spring torsion	
7	048050346	Retaining ring E5		51	X59934051	Bobbin winder ASSY	
8	X59911051	Horizontal feed plate		52	X59939051	Spring torsion	
9	060400816	Screw, Bind M4×8		53	X57908051	Taptite, Bind S M4×10	
10	X59913051	Feed bar ASSY		54	XA0624051	Reverse sewing lever A ASSY	
11	X59916051	Vertical feed finger		55	X57950051	Set screw, Socket(FT)M4×25	
12	012400432	Set screw, Socket(FT)M4×4		56	X56851051	Nut	
13	X55713051	Feed dog		57	048030346	Retaining ring E3	
14	060300516	Screw, Pan M3×5		58	XA1110051	Spring extension	
15	X59918051	Feed bar shaft		59	120454051	Retaining ring CSTW-3	
16	048025346	Retaining ring E2.5		60	X59941051	Reverse sewing button	
17	014400432	Set screw, Socket(CP)M4×4		61	X59942051	Reverse sewing lever B ASSY	
18	X54390051	Taper point stud R		62	X59945051	Spring extension	
19	X57913051	Taptite, Bind S M4×16		63	XA7234051	Lower shaft ASSY	
20	X54391150	Taper point stud L		64	X52664050	Lower shaft bushing	
21	062400416	Screw, Pan M4×4		65	X51383050	Washer	
22	137734051	Presser plate		66	048060346	Retaining ring E6	
23	X57908051	Taptite, Bind S M4×16		67	XA1138051	Spring	
24	X56613051	Spring compression		68	X52752051	Lower shaft gear ASSY	
25	X54393151	Spring extension		69	014400432	Set screw, Socket(CP)M4×4	
26	X57345051	Horizontal feed arm stud		70	048060346	Retaining ring E6	
27	XA0030051	Slide block		71	137768151	Set collar	
28	XA0029051	Feed regulator ASSY		72	014400432	Set screw, Socket(CP)M4×4	
29	X59200051	Screw		73	X57943051	Bushing presser	
30	X56960051	Nut, 3 M4		74	X57908051	Taptite, Bind S M4×10	
31	X59921051	Spring extension		75	XA1361051	Outer rotary hook ASSY	
32	014400632	Set screw, Socket(CP)M4×6		76	X57035351	Inner rotary hook ASSY	
33	X53330050	Washer		77	137804151	Outer rotary hook shaft	
34	X59922051	Feed bracket plate ASSY		78	X53183051	Washer	
35	X59923151	Feed bracket plate		79	X54134081	Inner rotary hook bracket	
36	X59924051	Feed dial gear A		80	060400616	Screw, Bind M4×6	
37	014400832	Set screw, Socket(CP)M4×8		81	137805051	Washer	
38	X59925051	Feed dial		82	137976051	Washer	
39	X56839051	Notched spring		83	014400632	Set screw, Socket(CP)M4×6	
40	060300516	Screw, Bind M3×5					
41	048040346	Retaining ring E4					
42	X59927051	BH adjusting knob					
43	X59928051	Spring washer					
44	X59929051	Washer					



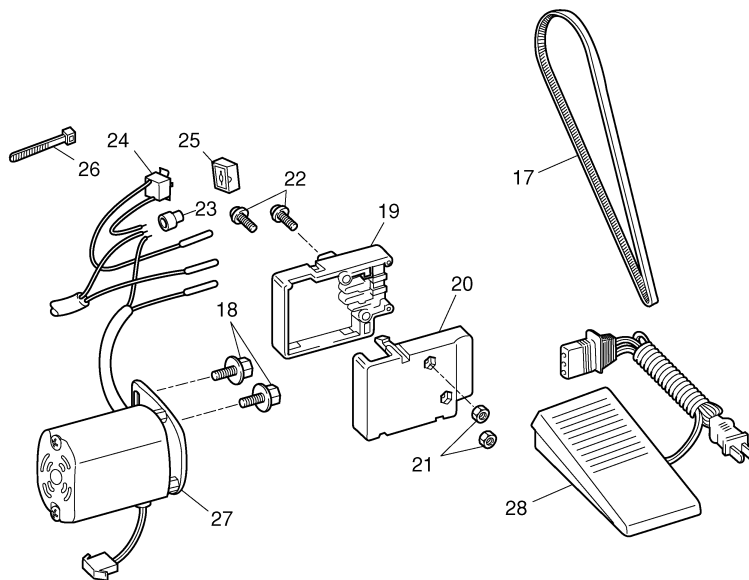
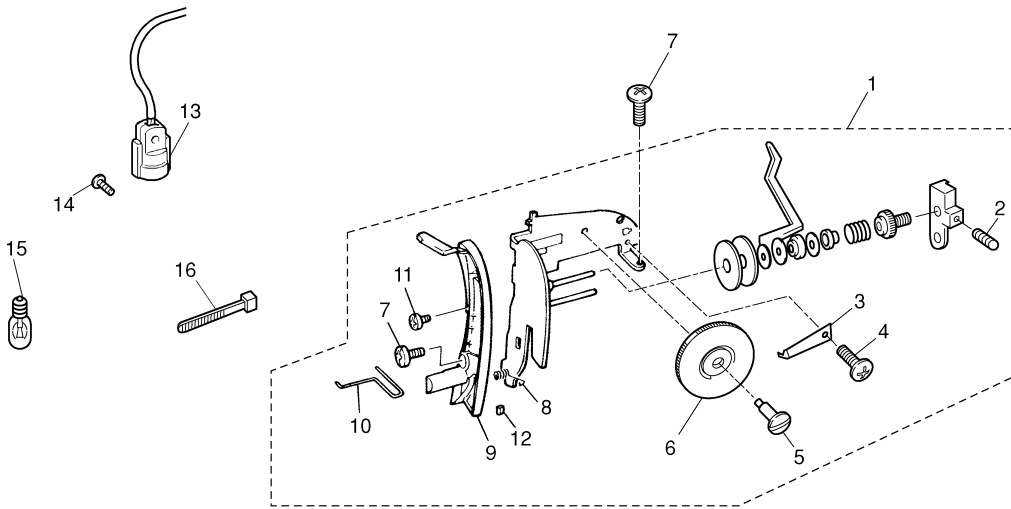
(4) BH MECHANISM AND ZIGZAG MECHANISM

No.	CODE	PARTS NAME	REMARKS
1	XA0525051	Zigzag dial	
2	120454051	Retaining ring CSTW-3	
3	XA1139051	Zigzag gear lever	
4	X59730051	Collar	
5	060400616	Screw, Bind M4×6	
6	XA1140151	Zigzag link	
7	X59741051	Spring extension	
8	XA1141051	Zigzag connecting rod ASSY	
9	X59735051	Zigzag connecting rod roller	
10	048020346	Retaining ring E2	
11	X50559050	Adjusting nut	
12	062301006	Screw, Pan M3×10	
13	X52005151	Spring extension	
14	X59959051	BH stopper ASSY	
15	X52176051	BH adjusting plate	
16	130833051	Adjusting nut	
17	062670812	Screw, Pan M3.57×8	
18	X52030251	Adjusting screw	
19	102571056	Nut	
20	X57908051	Taptite, Bind S M4×10	
21	X52027051	BH change arm	
22	060400816	Screw, Bind M4×8	
23	X59963051	BH change shaft	
24	XZ0023051	BH notched spring	
25	XA0345051	Selecting unit ASSY(B348)	
	XA0346051	Selecting unit ASSY(B347)	
26	X59154051	Selecting dial	
27	052401406	Screw, Pan (S/P washer) M4×14	
28	X56886051	Spring extension	
29	X56887051	Spring extension	
30	X59741051	Spring extension	
31	XA1173051	Spring extension	
32	X57908051	Taptite, Bind S M4×10	
NEW SPEC			
25	XA0348051	Selecting unit ASSY (B346 PS-1000)	ADD



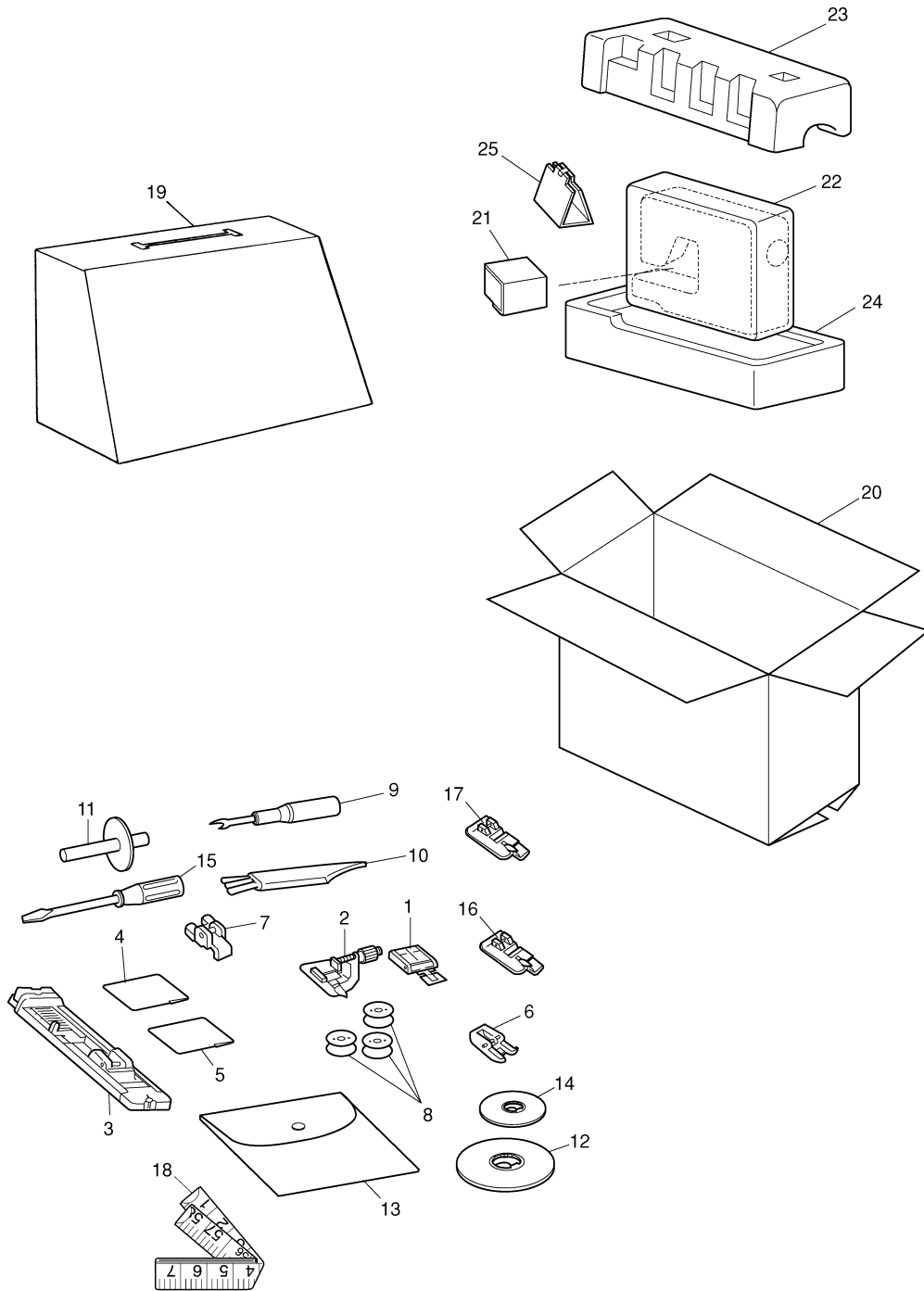
(5) LAMP, THREAD GUIDE AND MOTOR UNIT

No.	CODE	PARTS NAME	REMARKS	No.	CODE	PARTS NAME	REMARKS
1	X59981152	Thread guide ASSY		28	XC6664051	FOOT CONTROLLER : FC-317-28-LF (Taiwan)	CHG
2	012400432	Set screw, Socket(FT)M4×4			XA6428051	Foot controller complete(China)	
3	X56839051	Notched spring		29	XA2401050	WASHER	ADD
4	062300416	Screw, Pan M3×4		30	225833051	BUFFER RUBBER	ADD
5	X59984051	Tension dial shaft		31	236149001	PULLEY FLANGE	ADD
6	X59985152	Tension dial				NEW SPEC	
7	060400816	Screw, Bind M4×8		13	XC0478051	Lamp socket ASSY (120V) (B346 PS-1000) U.S.A., Canada	ADD
8	X52646051	Thread take-up spring			XA0513051	Lamp socket ASSY (110V) (B346 PS-1000) Taiwan	ADD
9	X59986051	Thread guard cover					
10	X59987050	Thread guard wire					
11	060300516	Screw, Bind M3×5					
12	X52485050	Spring stopper					
13	XA1256151	Lamp socket ASSY(100V-120V)					
	XA1470051	Lamp socket ASSY(220V-240V)					
14	X57984051	Taptite, Bind S M3×20 (100V-120V)					
	XA1623051	Taptite, Bind S M3×10 (220V-240V)					
15	X53061050	Sew-light bulb(120V)					
	205336050	Sew-light bulb(220V-240V)					
16	X53169050	Band					
17	X57064051	Belt					
18	XA3004051	Screw, Pan (S/P washer) M5×12					
19	X59176051	3P socket body					
20	X59177051	3P socket cover					
21	021400205	Nut					
22	052403006	Screw, Pan (S/P washer) M4×30					
23	214808050	Connector					
24	X59178051	PW switch ASSY(100V-120V)					
	X59337051	PW switch ASSY(220V-240V)					
25	X57554051	PW switch key-top					
26	X53169050	Band					
27	XA2967051	Motor complete(120V)					
	XA1618051	Motor complete(240V)					
	XA1656051	Motor complete(220V)					
	XA1495051	Motor complete(230V)					
	XA2429051	Motor complete(220V,Korea)					
	XA5430051	Motor complete(110V)					
28	XC6659051	FOOT CONTROLLER : FC-317-21-LF (U.S.A., Canada)	CHG				
	XC9675051	FOOT CONTROLLER : FC-317-53 (AUS)	040195				
	XA6400251	FOOT CONTROLLER : FC-307-51 (EUR)	050031				
	XA6402251	FOOT CONTROLLER : FC-307-52 (U.K.)	050031				
	XA6416051	Foot controller complete(Korea)					



(6) ACCESSORY

No.	CODE	NAME	REMARKS	No.	CODE	NAME	REMARKS
1	X59370051	Zipper foot		27	130800051	BAG 220X310	ADD
2	X59372051	Blind stitch foot					
3	XA4911151	Button hole foot					
4	X57117051	Needle pack (regular single needle No.14:3pcs.)		NEW SPEC			
	X52281051	Needle pack (regular single needle No.11,14,16:6pcs)		20	X60791056	Carton(B346 PS-1000) U.S.A.	ADD
					X60954060	Carton(B346 PS-1000) Taiwan	ADD
					X60791057	Carton(B346 PS-1000) Canada	ADD
5	X57521001	Twin needle(1pack)					
6	X53189001	Transparent foot					
7	X59375051	Button sewing foot					
8	136492151	Bobbin					
9	X54243001	Ripper					
10	X59476051	Brush					
11	130920051	Extra spool pin					
12	130012053	Spool holder(large)					
13	XA1363051	Bag					
14	130013053	Spool holder(small)					
15	X55467051	Screwdriver					
16	X59371051	Narrow-hemmer foot					
17	XA6060001	Picot foot					
18	XA5772051	Scale					
19	X53984057	DUST COVER ASSY	CHG				
20	X60954057	Carton (B348 PS1800 U.S.A., Canada)					
	X60791053	Carton(B348 STAR15)					
	X60791054	Carton(B348 MY STSR15)					
	X60954055	Carton(B348 STAR20)					
	X60954056	Carton(B348 STAR20 Supply)					
	X61070051	Carton (B348 R3000 U.S.A., Canada)					
	X60954064	Carton(B348 STAR15 Supply)					
	X60954066	Carton(B348 DIANA)					
	X60794055	Carton(B347 PS1250)					
	X60954054	Carton(B347 STAR10)					
	X60954061	Carton(B347 STAR2000)					
	X60954062	Carton(B347 PS1250)					
X60954065	Carton(B347 STAR10 Supply)						
21	X60726050	Foot controller box					
22	X60439150	Polyethylene bag					
23	X60708050	Top foam packing					
24	X60709050	Bottom foam packing					
25	X60436050	Pad					
26	X60439151	BAG 630X630T	CHG				



B346
B347
B348