

PARTS CATALOGUE FOR

B373 (STAR 110, PS-2200)

B375 (STAR 120E, PS-2300)

B376 (STAR 130E)

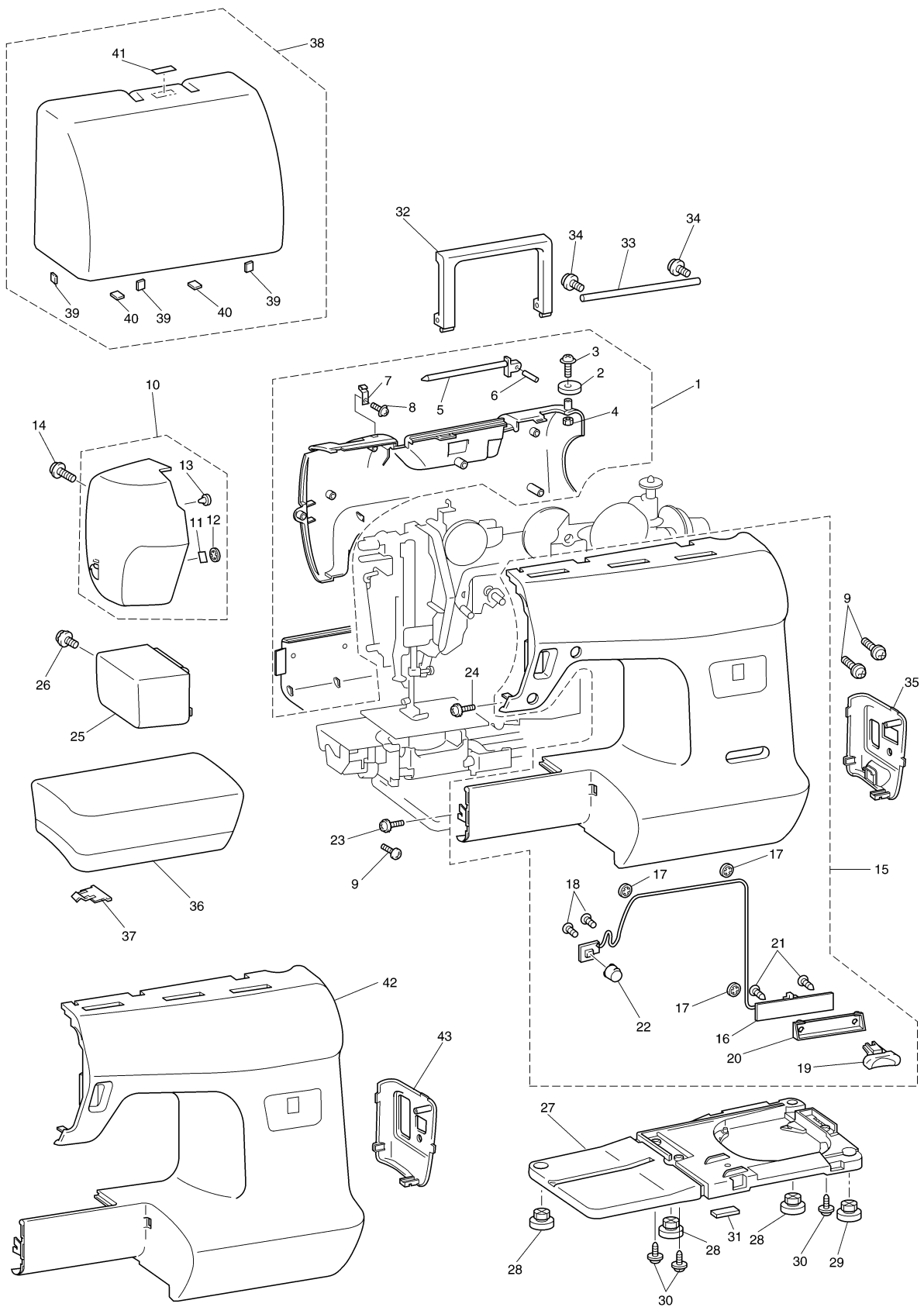
B377 (STAR 140E, PS-2500)

CONTENTS

(1) PRINCIPAL PARTS	2
(2) UPPER SHAFT AND NEEDLE BAR	4
(3) FEED MECHANISM, ROTARY HOOK AND THREAD CUTTING	6
(4) ZIGZAG, BH MECHANISM AND PATTERN SELECT	8
(5) BOBBIN WINDER AND THREAD GUIDE	10
(6) LAMP, MAIN PC BOARD ASSY AND MOTOR UNIT	12
(7) ACCESSORY	14

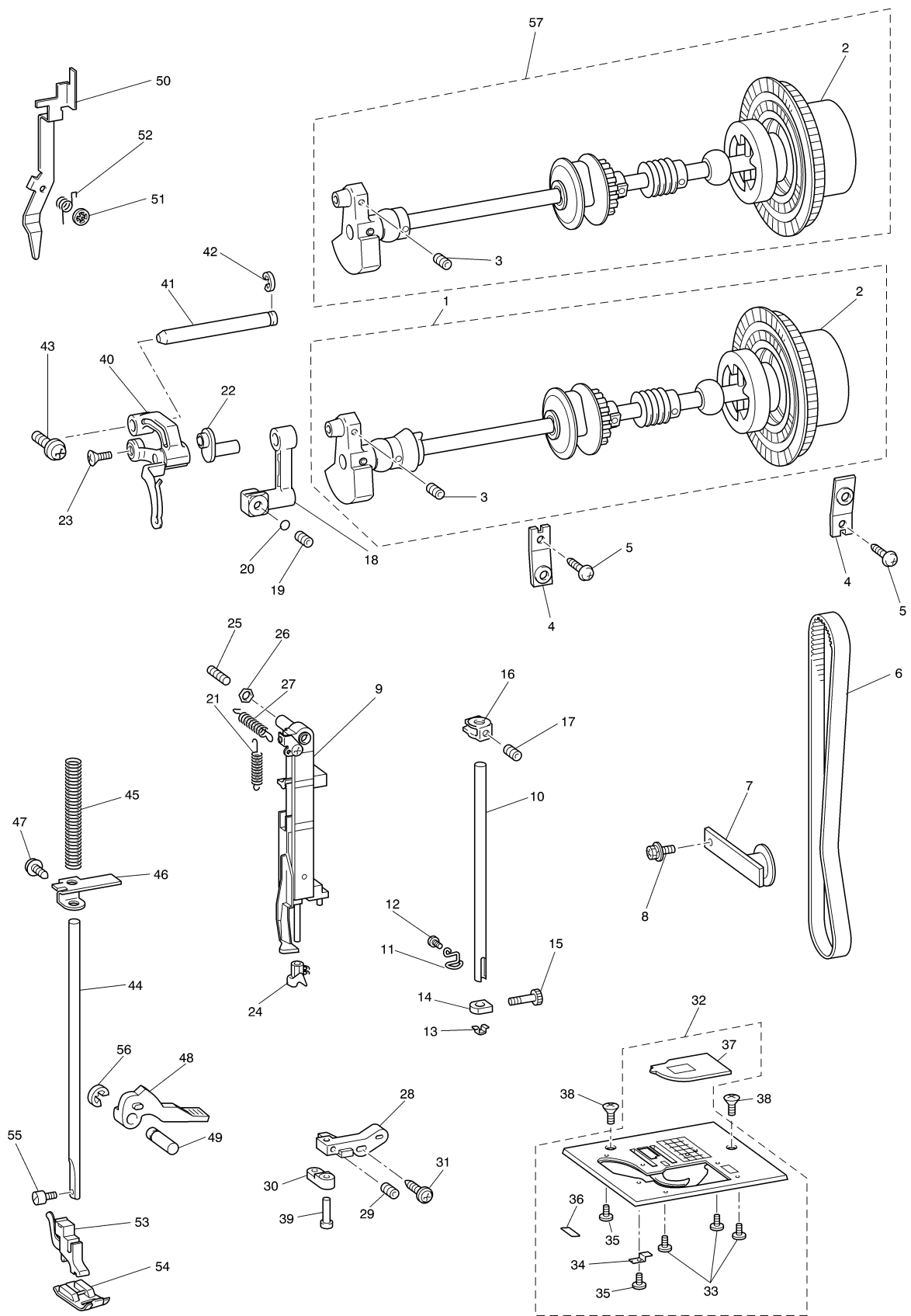
(1) PRINCIPAL PARTS

No.	CODE	NAME	REMARKS	No.	CODE	NAME	REMARKS
1	XA2459152	Rear cover ASSY (PS series)		30	052401406	Screw, Pan (S/P washer) M4×14	
	XA2459153	Rear cover ASSY (STAR series)		31	XZ0008051	Assistant rubber cushion	
2	XA2462151	BOBBIN PRESSER	040153	32	XA2476051	Carrying handle	
3	052301606	Screw, Pan (S/P washer) M3×16		33	XA2477051	Handle shaft	
4	021300106	Nut, 1 M3		34	XA0649051	Taptite, Cup S M4×14	
5	X59053051	Spool pin		35	XA4648051	Switch cover (B377, B376, B375)	
6	XA4471051	Pin		36	XA5676051	Accessory table ASSY	
7	XA3150051	Sub thread guide		37	138644051	Accessory table notched spring	
8	138433051	Taptite, Pan B M3×6		38	XA2482052	Machine cover ASSY	
9	XA3337051	Taptite, Cup P M4×20		39	125440050	Case felt	
10	XA5658051	Face plate ASSY (B377, B376, B375)		40	XZ0016050	Case felt	CHG
	XA5657051	Face plate ASSY (PS-2200)		41	XA3028051	Decoration plate	
	XA5023051	Face plate ASSY (STAR110)		42	XA4995051	Front cover ASSY (PS-2200)	
11	X80321051	NT thread cutter ASSY			XA4995052	Front cover ASSY (STAR110)	
12	138384051	Retaining ring, CSTW-5		43	XA4608051	Switch cover (B373)	
13	X51895051	Face plate bush		44	XC4167051	CAUTION STICKER (STAR110,STAR140E)	ADD
14	052401406	Screw, Pan (S/P washer) M4×14					
15	XA4927051	Front cover ASSY (PS-2500)					
	XA4927052	Front cover ASSY (STAR140E)					
	XA4974051	Front cover ASSY (PS-2300)					
	XA4974052	Front cover ASSY (STAR120E)					
	XA4974053	Front cover ASSY (STAR130E)					
	XA4927053	Front cover ASSY (PS-2500 Canada)					
	XA4974054	Front cover ASSY (PS-2300 Canada)					
16	XA3196051	SS-VR board ASSY (B377)					
	XA2433151	SS-VR board ASSY (B376, B375)					
17	146200051	Retaining ring, CS4					
18	138433051	Taptite, Pan B M3×6					
19	XA2471051	Speed key top					
20	XA2472051	Key top holder					
21	X59629051	Taptite, Bind B M3×10					
22	XA2473051	SS button (STAR130E, STAR120E, PS-2300 Canada)					
	XA2473052	SS button (STAR140E PS-2500 Canada)					
	XA2473053	SS button (PS-2500)					
	XA2473054	SS button (PS-2300)					
23	U12017051	Screw, Pan (T washer) M3×6					
24	053400806	Screw, Pan (T washer) M4×8					
25	XA2474051	Freearm cover					
26	053400806	Screw, Pan (T washer) M4×8					
27	XA4490151	Base plate	CHG				
28	XA0627051	Rubber cushion A	CHG				
29	XA0626051	Rubber cushion B	CHG				



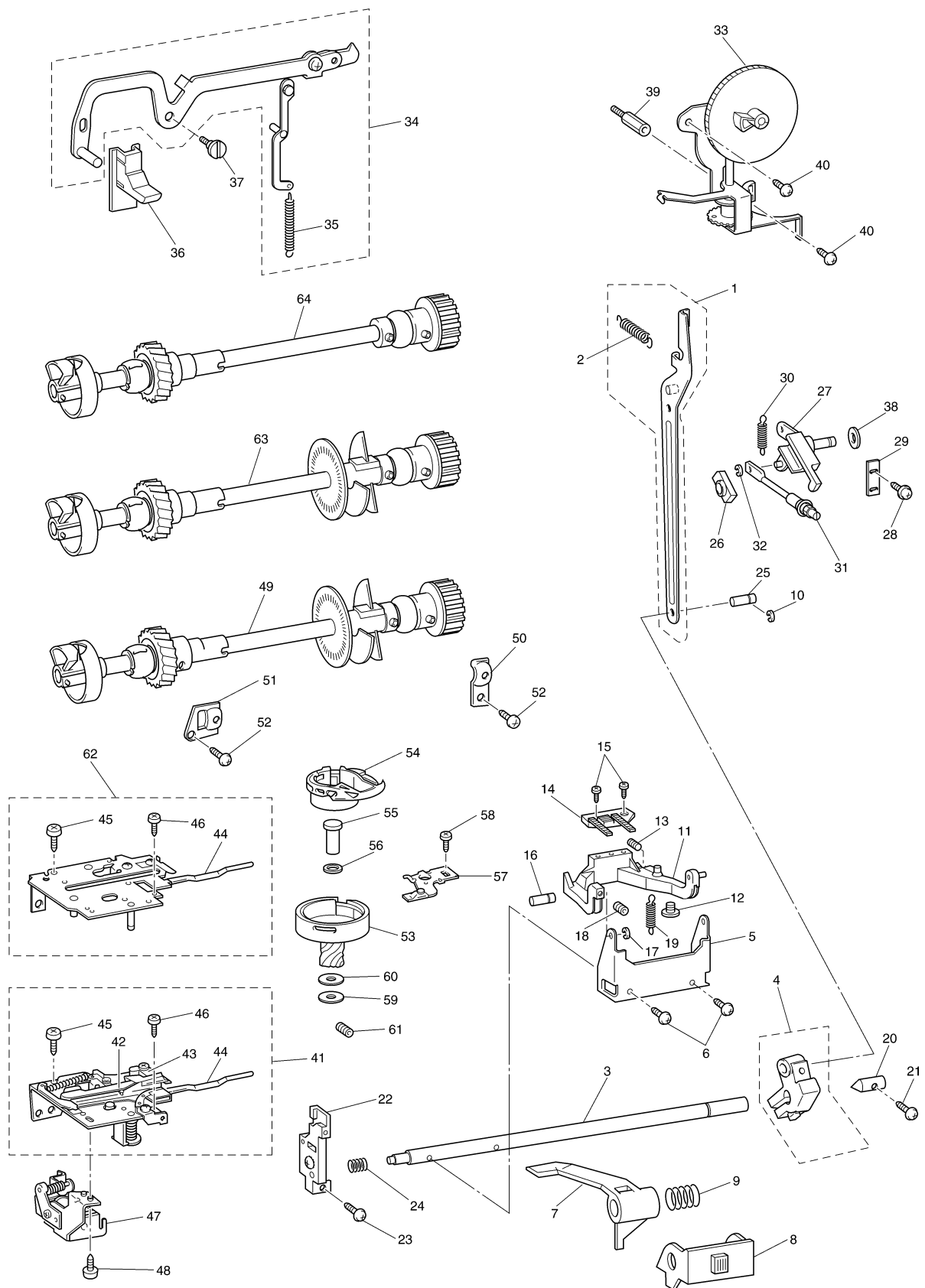
(2) UPPER SHAFT AND NEEDLE BAR

No.	CODE	NAME	REMARKS	No.	CODE	NAME	REMARKS
1	XA2485351	Upper shaft ASSY (B377)	CHG	45	XA2829051	Presser bar spring	
2	X57370051	Pulley		46	XA2510051	Presser bar bracket	
3	X54013051	Set screw, SM6.35		47	X52760051	Set screw, Pan M6×12	
4	X52478051	Presser plate A		48	XA2511151	Presser foot lifter	
5	X57908051	Taptite, Bind S M4×10		49	XA4422050	Presser foot lifter stud	
6	X53125051	Timing belt 176XL031		50	XA2512051	Tension release plate C	
7	XA2492051	Tension pulley ASSY		51	120454051	Retaining ring, CS4	
8	XA3004051	Bolt, (S/P washer) M5×12		52	XA2513051	Spring, Torsion	
9	XA4523251	Needle bar supporter complete		53	138134051	Presser foot holder	
10	136872151	Needle bar		54	XA5530051	Zigzag presser foot	
11	X50109100	Needle bar thread guide		55	132730151	Tightening screw 3.57	
12	X53053052	Screw, SM2.38		56	048050346	Retaining ring, E5	
13	125161180	Needle guide plate		57	XA4975051	Upper shaft ASSY (B376, B375, B373)	
14	X58831051	Needle clamp					
15	131226051	Needle clamp screw					
16	X52882150	Thread positioner					
17	014400432	Set screw, Socket (CP) M4×4					
18	X52650151	Needle bar crank rod ASSY					
19	014680432	Set screw, Socket (CP) SM4.37×4					
20	100507050	Metal plate					
21	X57374051	Spring, Extension					
22	XA2499051	Needle bar crank					
23	132051052	Screw, Flat SM3.57L					
24	XA1854001	Hook ASSY					
25	014401632	Set screw, Socket (CP) M4×16	CHG				
26	X56851051	Nut					
27	X59952051	Spring, Extension					
28	XA5544051	Stud shaft holder ASSY					
29	014400432	Set screw, Socket (CP) M4×4					
30	XA7996051	Needle bar supporter arm	CHG				
31	XA0649051	Taptite, Cup S M4×14					
32	XA4937151	Needle plate ASSY	CHG				
33	060260316	Screw, Bind M2.6×3					
34	X56029050	Spring, Plate					
35	060260316	Screw, Bind M2.6×3					
36	X80321051	NT thread cutter ASSY					
37	X56828151	Needle plate cover					
38	X50487051	Screw					
39	X57647051	Needle bar supporter stud					
40	XA2505051	Thread take-up lever ASSY					
41	XA2508051	Thread take-up lever stud					
42	048050346	Retaining ring, E5					
43	XA0649051	Taptite, Cup S M4×14					
44	X57364051	Presser bar					



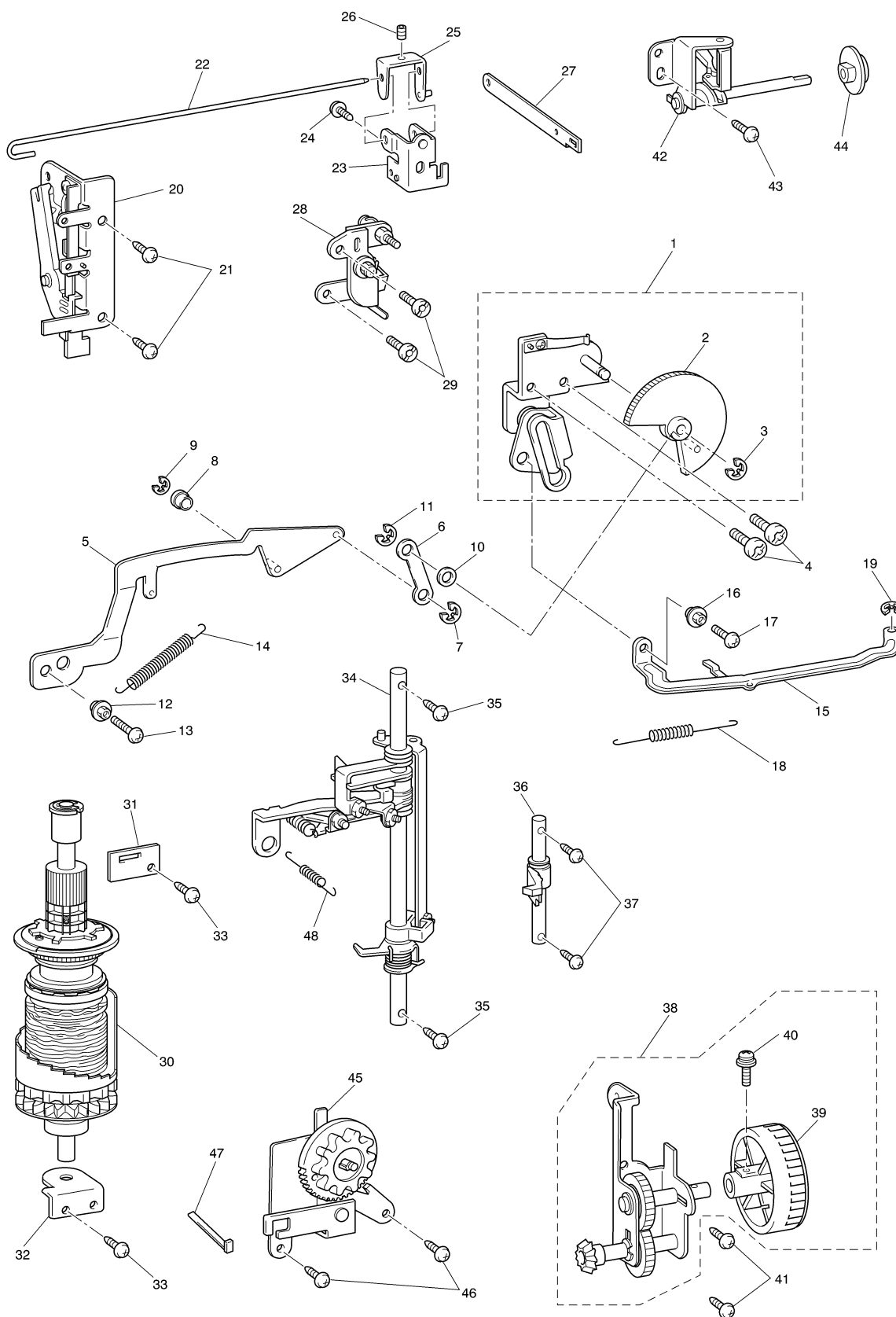
(3) FEED MECHANISM, ROTARY HOOK AND THREAD CUTTING

No.	CODE	NAME	REMARKS	No.	CODE	NAME	REMARKS
1	XA2514051	Feed connecting rod ASSY		44	XA5558151	Lower thread guide arm ASSY	
2	X57350051	Spring, Extension		45	060400616	Screw, Bind M4×6	
3	XA2519150	Horizontal feed shaft		46	060300416	Screw, Bind M3×4	
4	X57347051	Horizontal feed arm ASSY		47	XA2578251	Thread cutter solenoid ASSY (B377)	
5	XA1905051	Horizontal feed plate		48	060300416	Screw, Bind M3×4 (B377)	
6	060400816	Screw, Bind M4×8		49	XA4552151	LOWER SHAFT ASSY (B377)	CHG
7	XA2526051	Drop plate		50	132421051	Bushing presser	
8	XA1914051	Drop knob		51	XA1975051	Bushing presser L	
9	XA2199051	Spring, Compression		52	X57908051	Taptite, Bind S M4×10	
10	048050346	Retaining ring, E5		53	XA2855151	Outer rotary hook ASSY	
11	XA1907051	Feed bar ASSY		54	XA3353251	Inner rotary hook ASSY	CHG
12	X59916051	Screw	CHG	55	XA0360151	OUTER ROTERY HOOK SHAFT	CHG
13	012400432	Set screw, Socket (FT) M4×4		56	XA2190050	Washer U	
14	XA1909001	Feed dog (B377)		57	XA6714101	Inner rotary hook bracket ASSY	CHG
	XA4980051	Feed dog (B376, B375, B373)		58	060400816	Screw, Bind M4×8	
15	060300516	Screw, Bind M3×5		59	XA0361050	Washer	
16	XA1910051	Feed bar shaft		60	XA0362051	Washer	
17	048025346	Retaining ring, E2.5		61	014400632	Set screw, Socket (CP) M4×6	
18	014400432	Set screw, Socket (CP) M4×4		62	XA5561051	Thread cutter frame ASSY (B376, B375, B373)	
19	XA1911051	Spring, Extension		63	XA2584251	Lower shaft ASSY (B376, B375)	
20	X54390051	Taper point stud R		64	XA4998051	Lower shaft ASSY (B373)	
21	X57913051	Taptite, Bind S M4×16					
22	XA4542050	Horizontal feed shaft bushing					
23	052401406	Screw, Pan (S/P washer) M4×14					
24	XA2525051	Spring, Compression					
25	X57345051	Stud					
26	XA0030051	Feed regulator slide block					
27	XA2527051	Feed regulator ASSY					
28	X57908051	Taptite, Bind S M4×10					
29	XA3206051	Plate					
30	XA2532051	Spring, Extension					
31	XA2533051	Feed regulating bar ASSY					
32	048030346	Retaining ring, E3					
33	XA4940051	Feed dial ASSY					
34	XA2551151	Reverse sewing lever ASSY					
35	XA2561151	Spring, Extension					
36	XA2560051	Reverse sewing button					
37	X52073051	Stud screw					
38	X53330050	Washer					
39	X59411051	Stud screw					
40	060400816	Screw, Bind M4×8					
41	XA5556051	Thread cutter ASSY (B377)					
42	XA2848151	Movable blade ASSY (B377)					
43	X56133001	Fixed blade (B377)					



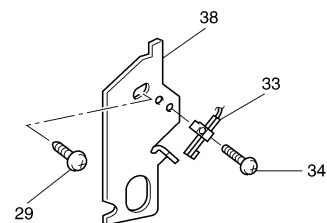
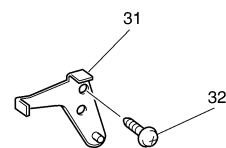
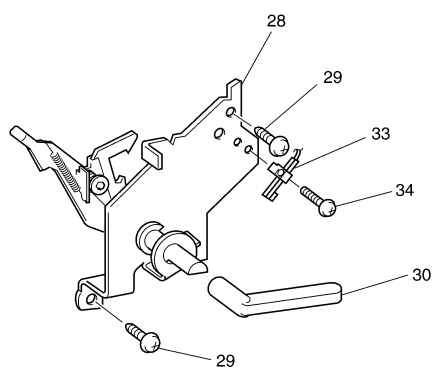
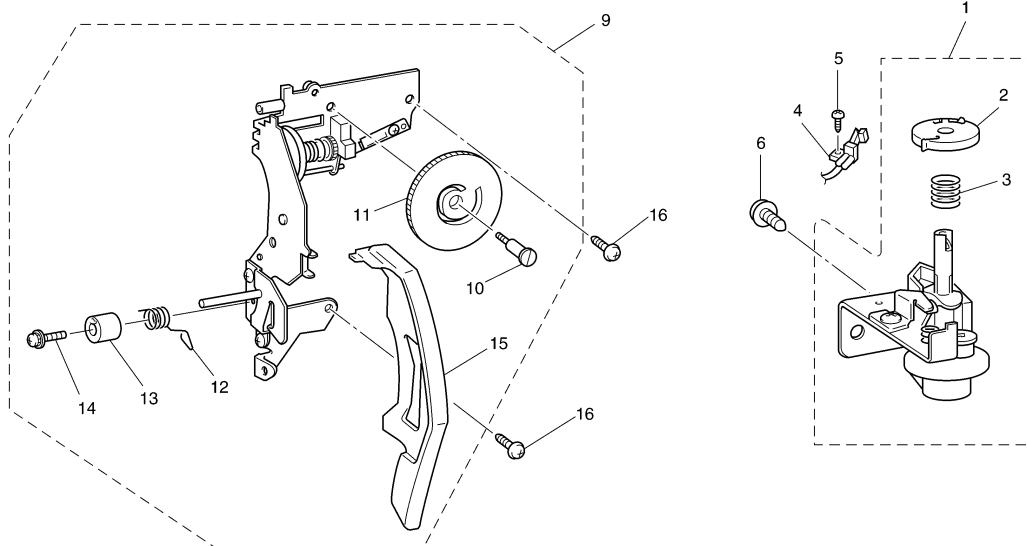
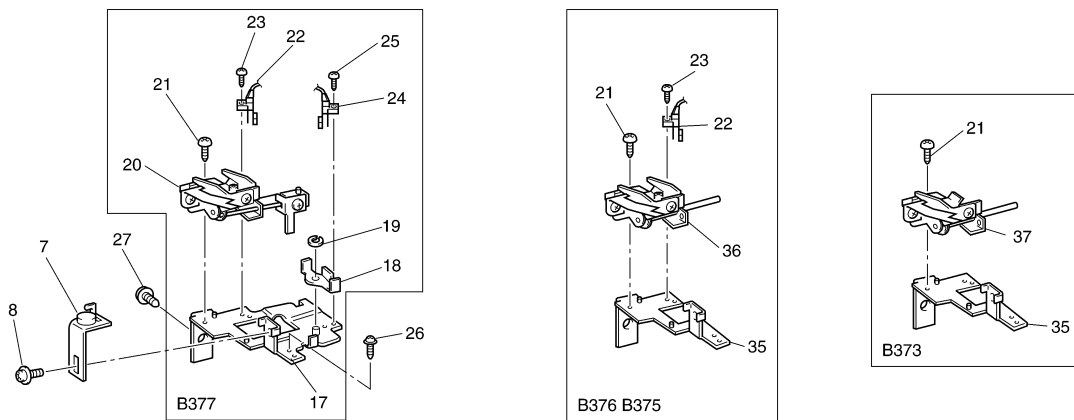
(4) ZIGZAG, BH MECHANISM AND PATTERN SELECT

No.	CODE	NAME	REMARKS	No.	CODE	NAME	REMARKS
1	XA4948051	Z dial complete		43	X57908051	Taptite, Bind S M4×10	
2	XA4951051	Z dial ASSY		44	XA2681051	BH adjusting knob	
3	048040346	Retaining ring, E4		45	XA2682151	Indication holder ASSY	CHG
4	X57908051	Taptite, Bind S M4×10		46	X57908051	Taptite, Bind S M4×10	
5	XA4956051	Zigzag connecting rod A ASSY		47	X53169050	Band	
6	XA4958051	Link		48	XA1173051	Spring, Extension	
7	048030346	Retaining ring, E3					
8	X57447051	Roller					
9	048025346	Retaining ring, E2.5					
10	025040133	Washer, Plain S 4					
11	048030346	Retaining ring, E3					
12	X50559050	Adjusting nut					
13	062301006	Screw, Pan M3×10					
14	XA4959051	Spring, Extension					
15	XA4960051	Zigzag connecting rod B					
16	X50559050	Adjusting nut					
17	062301006	Screw, Pan M3×10					
18	X52005151	Spring, Extension					
19	048040346	Retaining ring, E4					
20	XA4962251	BH lever hold plate ASSY	CHG				
21	X57908051	Taptite, Bind S M4×10					
22	XA2601151	BH change shaft	CHG				
23	XA5025051	BH stopper holder					
24	X57908051	Taptite, Bind S M4×10					
25	XA2608051	BH change arm ASSY					
26	014400832	Set screw, Socket (CP) M4×8					
27	XA4965051	BH connecting rod ASSY					
28	XA4517151	BH change ASSY					
29	X57908051	Taptite, Bind S M4×10					
30	XA4609051	Pattern cam shaft ASSY (B377, B376)					
	XA4987051	Pattern cam shaft ASSY (B375)					
	XA4999051	Pattern cam shaft ASSY (B373)					
31	XA2629051	Bushing presser					
32	XA2631051	Shaft holder					
33	X57908051	Taptite, Bind S M4×10					
34	XA4618051	Finger shaft ASSY					
35	X57913051	Taptite, Bind S M4×16					
36	XA4632051	BHZ finger shaft ASSY					
37	XA2690051	Taptite, Bind S M3×12					
38	XA4634051	Selecting dial holder ASSY					
39	X59154051	Selecting dial					
40	052401406	Screw, Pan (S/P washer) M4×14					
41	X57908051	Taptite, Bind S M4×10					
42	XA2668151	BH adjusting holder ASSY					



(5) BOBBIN WINDER AND THREAD GUIDE

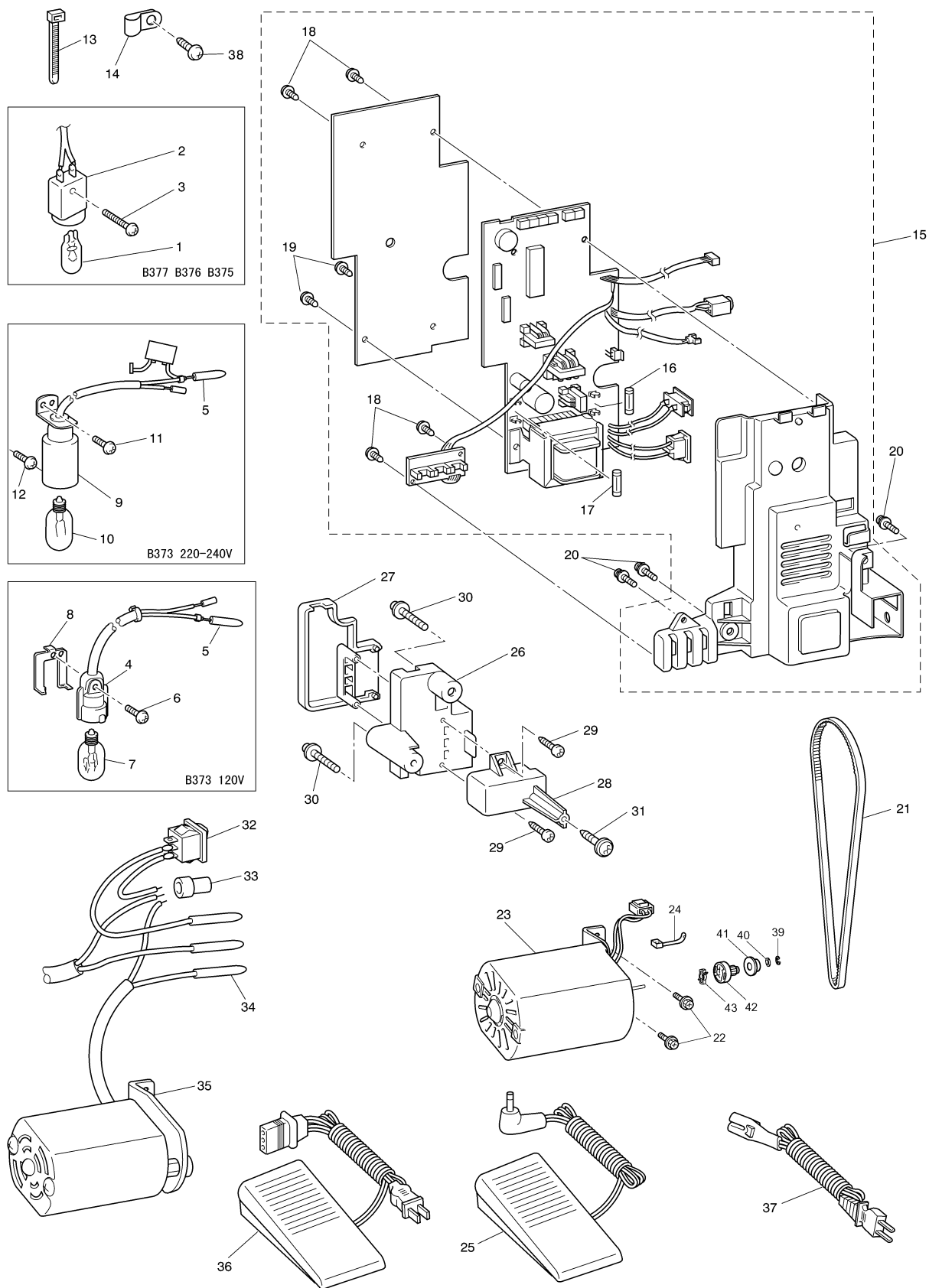
No.	CODE	NAME	REMARKS
1	XA5001051	Bobbin winder ASSY	
2	XA2951001	Bobbin base ASSY	
3	XA2696051	Spring, Compression	
4	XA2777051	BW switch ASSY	
5	062260516	Screw, Pan M2.6×5	
6	X57908051	Taptite, Bind S M4×10	
7	XA2697051	Bobbin winder thread guide ASSY	
8	052300606	Screw, Pan (S/P washer) M3×6	
9	XA5563051	Thread guard complete (B377)	
	XA5002052	Thread guard ASSY (B376, B375)	
	XA5002051	Thread guard ASSY (B373)	
10	X59984051	Tension dial shaft	
11	X59985154	Tension dial (B377, B376, B375)	
	X59985152	Tension dial (B373)	
12	X58857051	Thread take-up spring	
13	132305051	Thread take-up spring case	
14	0A4401606	Screw, Pan (S/P washer) M4×16	
15	XA2704051	Thread guard cover	
16	X57908051	Taptite, Bind S M4×10	
17	XA2705051	Thread guard holder ASSY (B377)	
18	XA2709051	Tension release plate C (B377)	
19	048030346	Retaining ring, E3 (B377)	
20	XA5565051	Thread tension ASSY (B377)	
21	060300416	Screw, Bind M3×4	
22	XA2734051	PF switch ASSY (B377, B376, B375)	
23	062260516	Screw, Pan M2.6×5 (B377, B376, B375)	
24	XA2781151	Thread cutter switch ASSY (B377)	
25	062260516	Screw, Pan M2.6×5 (B377)	
26	060300416	Screw, Bind M3×4	
27	X57908051	Taptite, Bind S M4×10	
28	XA2963151	Thread cutter holder ASSY (B377)	
29	X57908051	Taptite, Bind S M4×10 (B377)	
30	XA2964252	Thread cutter operation lever (B377)	
31	XA2749251	Notched holder ASSY (B377)	
32	X57908051	Taptite, Bind S M4×10 (B377)	
33	XA2779051	BT switch ASSY (B377, B376, B375)	
34	062260516	Screw, Pan M2.6×5 (B377, B376, B375)	
35	XA4990051	Thread guard holder (B376, B375, B373)	
36	XA4991051	Thread tension ASSY (B376, B375)	
37	XA5004151	Thread tension ASSY (B373)	CHG
38	XA5005051	Reverse sewing lever stopper (B376, B375, B373)	



(6) LAMP, MAIN PC BOARD ASSY AND MOTOR UNIT

No.	CODE	NAME	REMARKS	No.	CODE	NAME	REMARK
1	XA2037051	WB sew-light bulb (B377,B376, B375)		26	XA4653051	3P socket body (B373)	
2	XA2754051	WBL lamp socket ASSY (B377,B376, B375)		27	XA4654051	3P socket cover (B373)	
3	002261205	Screw, Pan M2.6×12 (B377,B376, B375)		28	XA4655051	Switch holder (B373)	
4	XA4882151	Sub ASSY ; Lamp code (B373 120V)	CHG	29	X59629051	Taptite, Bind B M3×10 (B373)	
5	138598051	Socket pin (B373)		30	052401406	Screw, Pan (S/P washer) M4×14 (B373)	
6	X57984051	Taptite, Bind S M3×20 (B373 120V)		31	XA3337051	Taptite, Cup P M4×20 (B373)	
7	X53061050	Sew-light bulb (B373 120V)		32	XA1070051	Power switch ASSY (B373 120V)	
8	XA4889050	Lamp holder (B373 120V)			XA1073051	Power switch ASSY (B373 220-240V)	
9	XA4886151	Lamp ASSY ; E14 #182 (B373 220-240V)	CHG	33	214808050	Connector (B373)	
10	205336050	Sew-light bulb (B373 220-240V)		34	138598051	Socket pin (B373)	
11	XA1623051	Taptite, Bind S M3×10 (B373 220-240V)		35	XA4890051	Motor ; YM-230-9C (B373 120V)	
12	060300416	Screw, Bind M3×4			XA4891051	Motor ; MM-513-53 (B373 230V)	
13	X53169050	Band			XA4895051	Motor ; MM-513-54 (B373 240V)	
14	XA7678051	Cord clamp	CHG		XA4897051	Motor ; MM-513-55 (B373 220V Korea)	
15	XA5677051	PCB complete ; Power (B377 120V)			XA4899051	Motor ; MM-513-52 (B373 220V)	
	XA5677052	PCB complete ; Power (B377 230V)		36	J00360051	Foot controller ; FC-304-21 (B373 120V)	
	XA5677053	PCB complete ; Power (B376, B375 120V)			XA6402251	FOOT CONTROLLER : FC-307-52 (B373 220-240V)	050031
	XA5677054	PCB complete ; Power (B376, B375 230V)			XA6400251	FOOT CONTROLLER : FC-307-51 (B373 U.K.)	050031
16	XA1199051	Glass fuse, 3.5A-A (B377, B376, B375 120V)			XC9675051	FOOT CONTROLLER : FC-317-53 (B373 Australia)	040195
	XA1463051	Glass fuse, 2AT (B377, B376, B375 230V)			XA6416051	Foot controller ; FC-307-60 (B373 Korea)	CHG
17	XA4799051	Glass fuse, 2A-B (B377 120V)			XA6418351	FOOT CONTROLLER : FC-307-61 (B373 Germany)	050031
	XA2767051	Glass fuse, 2A-B (B377 230V)			XA5791051	FOOT CONTROLLER ; FC-304-65 (B373 China)	
18	X59629051	Taptite, Bind B M3×10 (B373 B376,B375)		37	XC6052051	POWER SUPPLY CORD : UL CSA-LF	CHG
19	XA3337051	Taptite, Cup P M4×20 (B377, B376,B375)			X59354151	POWER SUPPLY CORD-BS, (B377, B376, B375 U.K.)	CHG
20	052401406	Screw, Pan (S/P washer) M4×14 (B377, B376, B375)			XA0070151	POWER SUPPLY CORD FOR EUROPE	CHG
21	XA2992051	Timing belt			XC9548051	POWER SUPPLY CORD : SAA-LF (AUSTRALIA, NEW ZEALAND)	040186
22	XA3004051	Bolt (S/P washer) M5×12			XA1291051	Power supply cord (B377, B376, B375 Korea)	
23	XA4901051	Motor ; MM-513-21 (B377, B376, B373 120V)			XA5820051	Power supply cord (B377, B376, B375 CHINA)	
	XA4906051	Motor ; MM-513-51 (B377, B376, B373 230V)		38	X57908051	Taptite, Bind S M4×10	ADD
24	220681051	Band 2.2×85 (B377, B376, B375)		39	048030346	RETAINING RING, E3	ADD
25	XC1154051	Controller ; FC-309-81 (B377, B376, B375)	CHG				

40	XA2401050	WASHER	ADD - 1	42	J00075001	PULLEY	ADD
41	236149001	PULLEY FLANGE	ADD	43	225833051	BUFFER RUBBER	ADD



(7) ACCESSORY

No.	CODE	NAME	REMARKS
1	XC3098051	OVERCASTING STITCH FOOT ASSY	CHG
2	X59370051	Zipper foot	
3	X56409051	BLIND STITCH FOOT ASSY	CHG
4	XA4973151	Buttonhole foot	CHG
5	X57117051	Needle pack (Regular single needle No.14 3PCS)	
6	X59296151	TWIN NEEDLE (1PC)	CHG
7	X54243001	Ripper	
8	X59476051	Brush	
9	130012053	Spool holder (Large)	
10	137988101	Monogramming foot	
11	X59375051	Button sewing foot	
12	130920051	Extra spool pin	
13	130013053	Spool holder (Small)	
14	X55467051	Screwdriver	
15	XA3811051	Bobbin (10set U.S.A.)	ACC
	XA3812051	Bobbin (10set Europe)	ACC
16	X81021001	Quilting foot (U.S.A.)	ACC
	X81021002	Quilting foot (Europe)	ACC
17	184987001	Walking foot	
18	X80980001	1/4" seam guide foot (U.S.A.)	ACC
	X80980002	1/4" seam guide foot (Europe)	ACC
19	X61126051	Carton (PS-2500)	
	X61126052	Carton (PS-2300)	
	X61126053	Carton (PS-2200)	
	X61126054	Carton (STAR140E)	
	X61126055	Carton (STAR120E)	
	X61126056	Carton (STAR110)	
	X61126057	Carton (STAR130E)	
20	X60439151	BAG 630X630T	CHG
21	X60966151	697 SF ASSY	
22	X61046050	Pad	
23	X60726050	Foot controller box	
24	194377011	Operation manual (English, Spanish)	
	194377012	Operation manual (French, Dutch)	
	194377013	Operation manual (German, Italian)	
25	130800051	BAG 220X310	ADD
26	X57367051	BAG 135X150	ADD
27	X60678051	BAG 700X630H	ADD
NEW SPEC			
21	X60966152	POLYSTYRENE FOAM PAD ASSY, 697 (KOREA)	ADD

