

PARTS CATALOGUE FOR

XL2600

XL2610

XL2620

BM2600

L25

XL3500

XL3500T

XL3510

XL3520

BM3500

L35

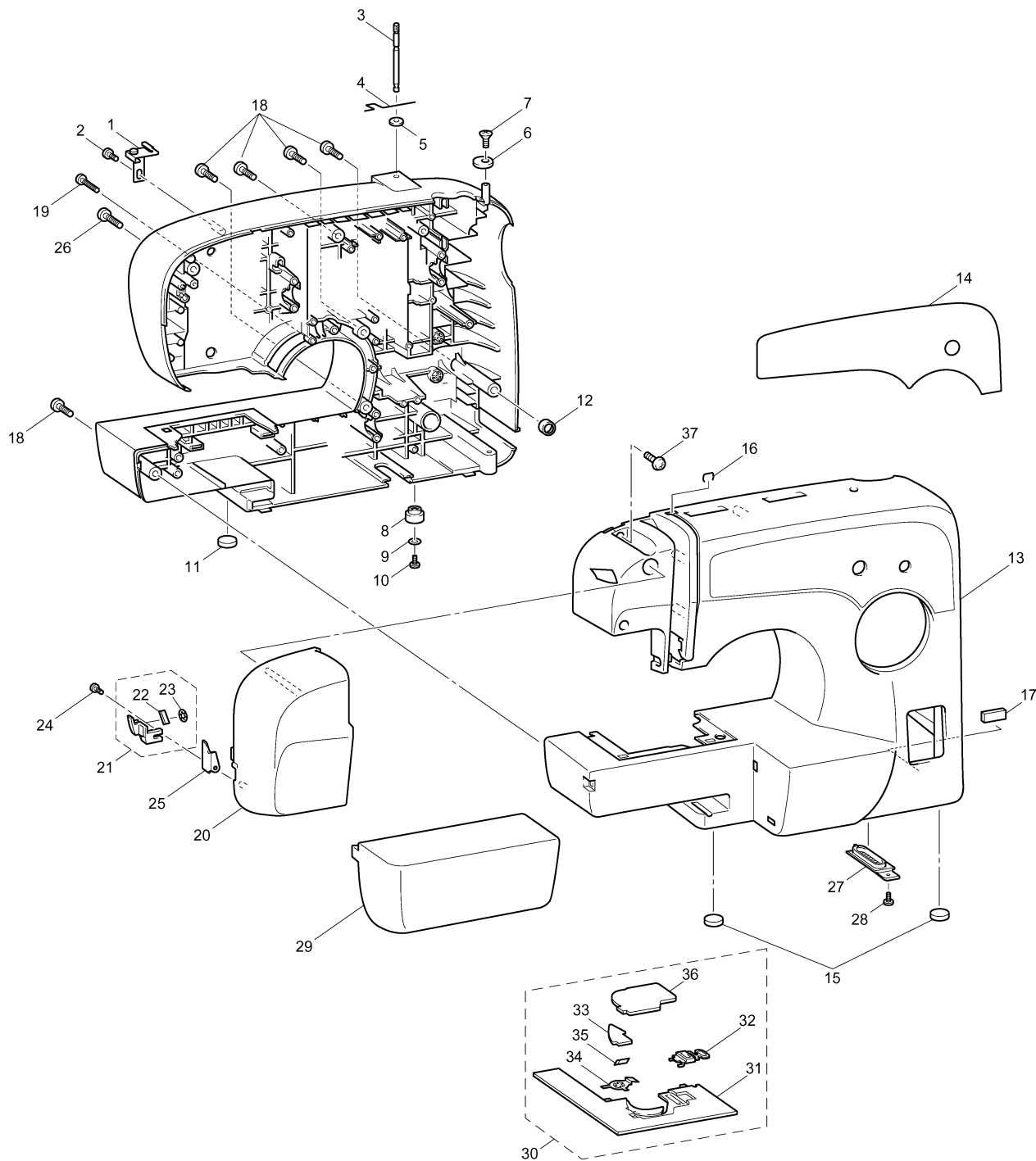
12. 2004.

CONTENTS

(1) PRINCIPAL PARTS.....	2
(2) UPPER SHAFT / NEEDLE BAR, PRESSER MECHANISM.....	4
(3) FEED / FEED ADJUSTMENT MECHANISM	6
(4) ZIGZAG / PATTERN SELECTION MECHANISM	8
(5) BOBBIN WINDER / THREAD GUIDE MECHANISM	10
(6) LAMP MECHANISM / MOTOR UNIT	12
(7) ATTACHMENTS / PRINTED MATTER / PACKING MATERIALS	14

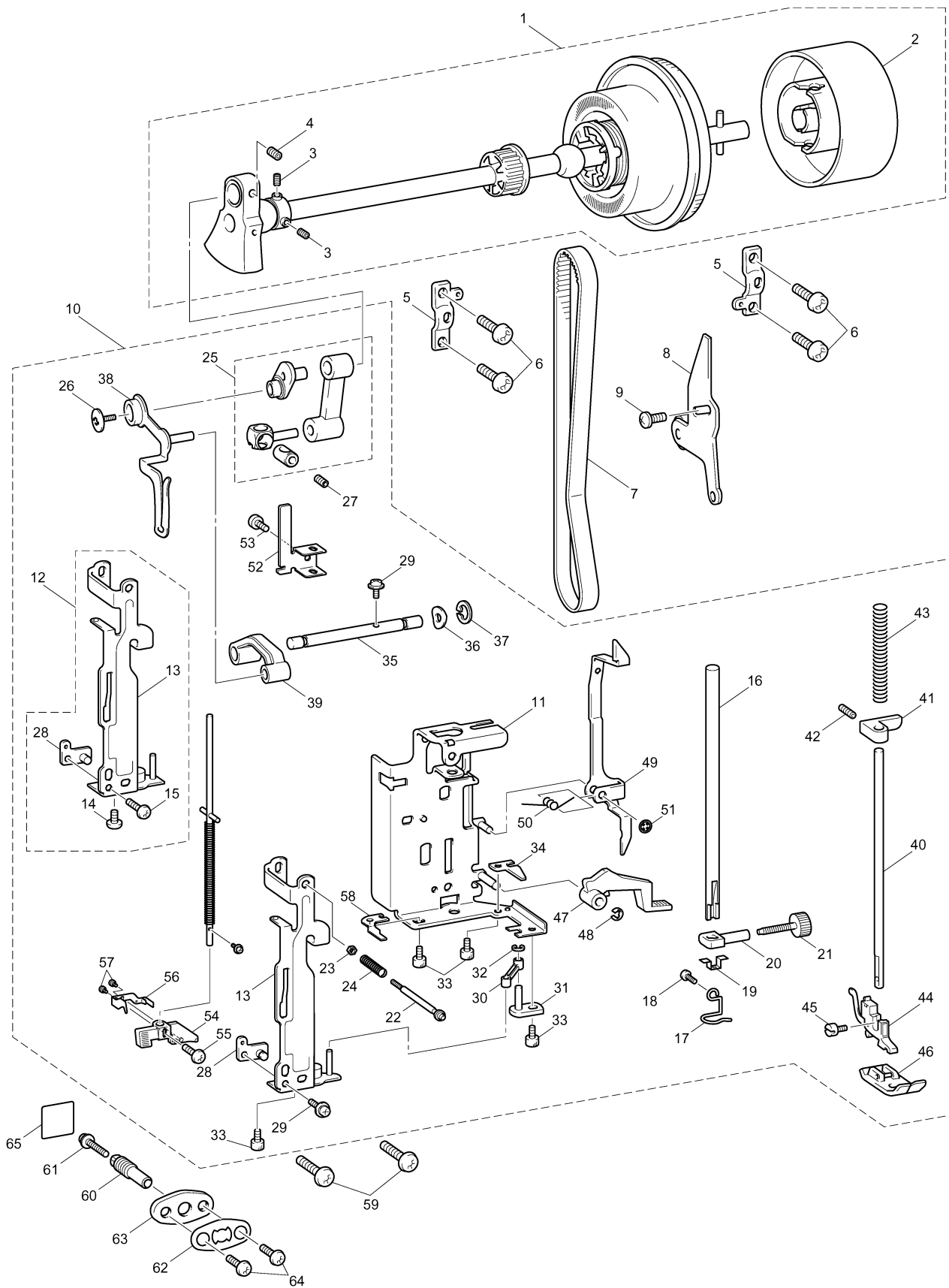
(1) PRINCIPAL PARTS

No.	CODE	NAME	REMARKS	No.	CODE	NAME	REMARKS	
1	XC4846021	THREAD GUIDE ASSY		16	X53625121	UPPER COVER THREAD GUIDE		
2	XC3588021	GIZA TITE 4 x 12		17	XA7769021	CUSHION		
3	188058121	SPOOL PIN		18	XC3496021	GIZA TITE 5 x 16		
4	XA0628021	SPOOL PIN SPRING		19	XC6304021	GIZA TITE (S/P W) 3 x 25		
5	XA8851021	SPOOL PIN STAND		20	XC4854021	FACE PLATE		
6	XC4481121	BOBBIN PRESSER		21	XC4855021	CUTTER COVER ASSY		
7	XC6305021	TAPTITE PAN B (S/P W) 3 x 12		22	X80321021	NT LOWER THREAD CUTTER		
8	138337021	RUBBER CUSHION A		23	138384021	RETAINING RING,CS5		
9	026350235	WASHER, PLAIN M 3.5		24	XC6305021	TAPTITE, PAN B (S/P W) 3 x 12		
10	083361216	TAPTITE, PAN B M3.5 x 12		25	XC6057020	GUARD PLATE		
11	XC4077051	BASE PLATE RUBBER		26	XA3337022	TAPTITE,CUP P M4 x 20		
12	XC5261021	RING		27	XC4857021	BASE COVER		
13	XC8977021	FRONT COVER ASSY (XL2600:U.S.A., CAN)		28	084310815	TAPTITE, FLAT B M3 x 8		
	XC8977027	FRONT COVER ASSY (BM2600)		29	XC4858021	ACCESSORY TABLE		
	XC8977033	FRONT COVER ASSY (XL2600:OTHER)		30	XC8981021	NEEDLE PLATE B ASSY (XL26**, XL35**)		
	XC8977025	FRONT COVER ASSY (XL2610)			XC9849021	NEEDLE PLATE B ASSY (BM2600, BM3500, L25, L35)		
	XC8977026	FRONT COVER ASSY (XL2620)		31	XC4860021	NEEDLE PLATE B (XL26**, XL35**)		
	XC8977031	FRONT COVER ASSY (L25)			XC3521021	NEEDLE PLATE B (BM2600, BM3500, L25, L35)		
	XC8977023	FRONT COVER ASSY (XL3500:U.S.A., XL3500T)		32	XC7371021	SLIDE BUTTON		
	XC8977030	FRONT COVER ASSY (BM3500)		33	XC2367021	CUTTER COVER (BM2600, BM3500, L25, L35)		
	XC8977034	FRONT COVER ASSY (XL3500:OTHER)		34	XC2368021	SPRING PLATE		
	XC8977028	FRONT COVER ASSY (XL3510)			35	X80321021	NT LOWER THREAD CUTTER (BM2600, BM3500, L25, L35)	
	XC8977029	FRONT COVER ASSY (XL3520)		36	XC8983021	NEEDLE PLATE COVER		
	XC8977032	FRONT COVER ASSY (L35)			37	085411416	TAPTITE BIND B M4X14	
	14	XC8979021	STITCH PATTERN SHEET (XL2600:U.S.A., CAN)					
		XC8979027	STITCH PATTERN SHEET (BM2600)					
XC8979033		STITCH PATTERN SHEET (XL2600:OTHER)						
XC8979025		STITCH PATTERN SHEET (XL2610)						
XC8979026		STITCH PATTERN SHEET (XL2620)						
XC8979031		STITCH PATTERN SHEET (L25)						
XC8979023		STITCH PATTERN SHEET (XL3500:U.S.A., XL3500T)						
XC8979030		STITCH PATTERN SHEET (BM3500)						
XC8979034		STITCH PATTERN SHEET (XL3500:OTHER)						
XC8979028		STITCH PATTERN SHEET (XL3510)						
XC8979029		STITCH PATTERN SHEET (XL3520)						
XC8979032	STITCH PATTERN SHEET (L35)							
15	XC4077021	BASE PLATE RUBBER						



(2) UPPER SHAFT / NEEDLE BAR, PRESSER MECHANISM

No.	CODE	NAME	REMARKS	No.	CODE	NAME	REMARKS
UPPER SHAFT MECHANISM				38	XC8564031	THREAD TAKE-UP LEVER	
1	XC4864021	UPPER SHAFT ASSY		39	XC4897020	THREAD TAKE-UP LEVER LINK	
2	XC3529021	PULLEY		40	XC6565021	PRESSER BAR (U.S.A., CAN, BM****, L25, L35)	
3	014400432	SET SCREW, SOCKET (CP) M4 x 4			XC4898021	PRESSER BAR	
4	012500532	SET SCREW, SOCKET (FT) M5 x 5		41	XC4899021	PRESSER BAR CLAMP	
5	XC4868020	UPPER SHAFT BEARING PRESSER		42	014500832	SET SCREW, SOCKET (CP) M5 x 8	
6	XC3496021	GIZA TITE 5 x 16		43	XC4900021	SPRING	
7	XC4869021	T BELT 420-5GT-6		44	138134051	PRESSER FOOT HOLDER	
8	XC8984021	TENSION PULLEY ASSY		45	132730122	TIGHTENING SCREW 3.57	
9	0A4400806	SCREW, PAN (S/P WASHER) M4 x 8		46	XC4901051	ZIGZAG PRESSER FOOT	
NEEDLE BAR, PRESSER MECHANISM				47	XC4902021	PRESSER FOOT LIFTER	
10	XC6558021	NEEDLE-PRESSER MODULE (U.S.A., CAN, BM****, L25, L35)		48	048040346	RETAINING RING, E4	
	XC4874021	NEEDLE-PRESSER MODULE		49	XC4903020	THREAD RELEASE LEVER	
11	XC4875121	BASE HOLDER ASSY		50	XC4904121	SPRING	
12	XC6559021	NEEDLE HOLDER ASSY (U.S.A., CAN, BM****, L25, L35)		51	146200021	RETAINING RING, CS4	
13	XC4880021	NEEDLE HOLDER SUB ASSY		52	XC6564020	THREAD POSITIONING PLATE (U.S.A., CAN, BM****, L25, L35)	
14	018300636	BOLT, SOCKET M3 x 6		53	060260406	SCREW, BIND M2.6 x 4 (U.S.A., CAN, BM****, L25, L35)	
15	052300606	SCREW, PAN (S/P WASHER) M3 x 6		54	XC6566021	NEEDLE THREADING LEVER (U.S.A., CAN, BM****, L25, L35)	
16	XC2423021	NEEDLE BAR		55	0A5260606	SCREW,PAN(S/P WASHER)M2.6 x 6 (U.S.A., CAN, BM****, L25, L35)	
17	XC2424021	NEEDLE BAR THREAD GUIDE		56	XA0445151	THREADER HOOK ASSEMBLY (U.S.A., CAN, BM****, L25, L35)	
18	X53053052	SCREW SM2.38		57	037200516	TAPPING SCREW, PAN V M2 x 5 (U.S.A., CAN, BM****, L25, L35)	
19	XC2426020	NEEDLE THREAD PLATE		58	XC7525121	NEEDLE HOLDER STOPPER	
20	XC2427051	NEEDLE BLOCK		59	XC4961021	GIZA TITE 5 x 20	
21	XC2428021	NEEDLE CLAMP SCREW		60	XC4905021	ADJUSTING SCREW	
22	XC4884021	NEEDLE HOLDER SHAFT		61	060302516	SCREW BIND M3X25	
23	X56851021	LOCK NUT		62	XC6056020	PLATE SPRING	
24	XC4885021	SPRING		63	XC4906020	ADJUSTING PLATE	
25	XC6562031	NEEDLE BAR CRANK ROD ASSY (U.S.A., CAN, BM****, L25, L35)		64	085411416	TAPTITE, BIND B M4 x 14	
	XC4886031	NEEDLE BAR CRANK ROD ASSY		65	XC4907021	LABEL	
26	132051022	SCREW, FLAT SM3.57-40 x 7 L					
27	012400432	SET SCREW, SOCKET (FT) M4 x 4					
28	XC4888021	ZIGZAG ADJUST PLATE ASSY					
29	0A5300806	SCREW, PAN (S/P WASHER) M3 x 8					
30	XC4963020	NEEDLE BAR SUPPORTER ARM					
31	XC4891021	NEEDLE SHAFT HOLDER ASSY					
32	048020346	RETAINING RING, E2					
33	018300636	BOLT, SOCKET M3 x 6					
34	XC4894021	STOPPER					
35	XC4895021	SHAFT					
36	XA1866051	WASHER,SPRING					
37	048050346	RETAINING RING, E5					

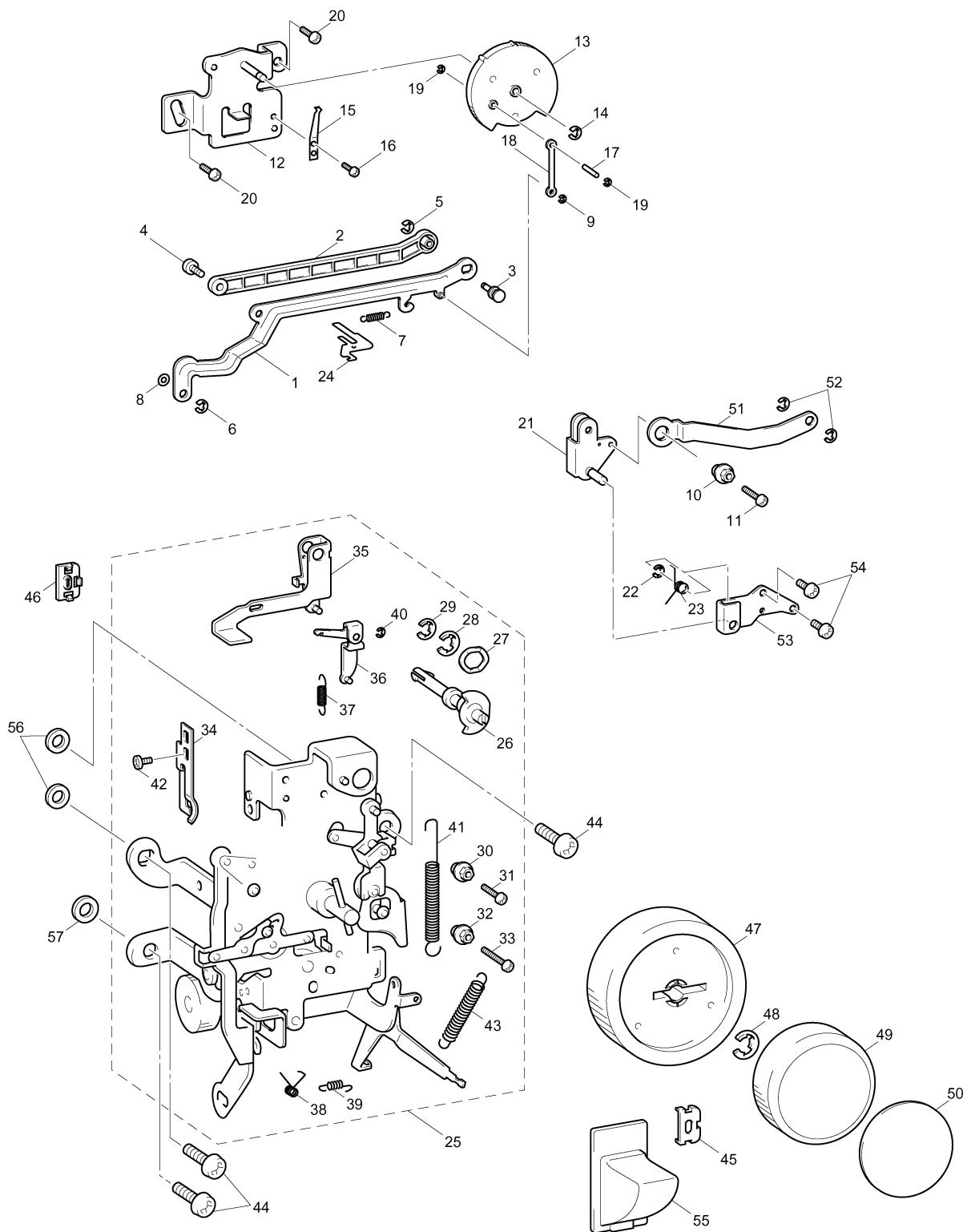


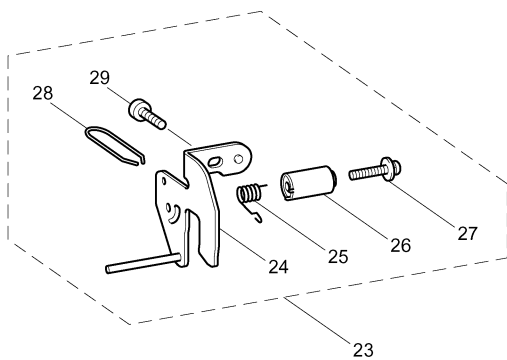
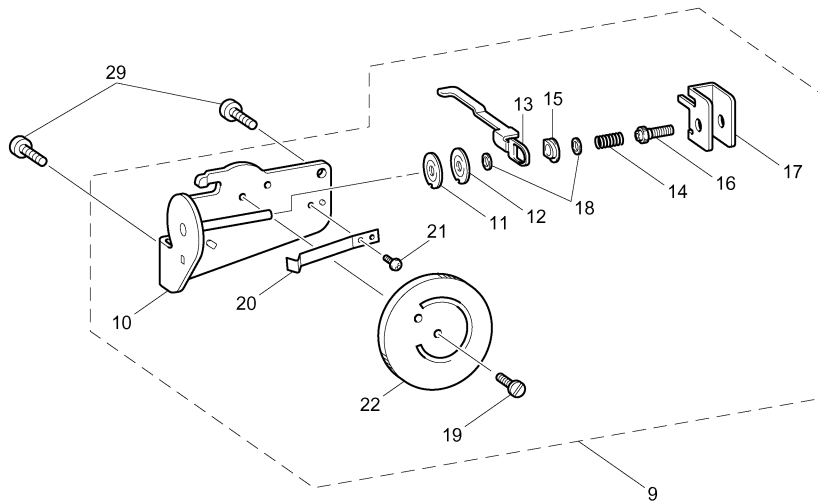
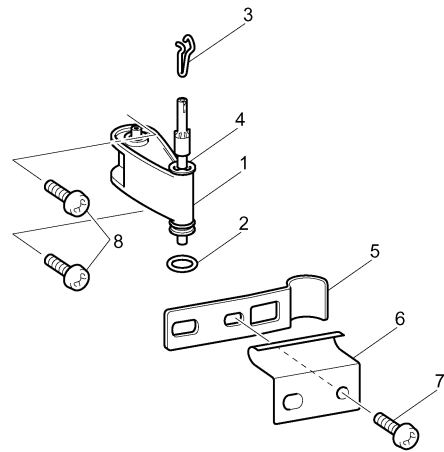
(3) FEED / FEED ADJUSTMENT MECHANISM

No.	CODE	NAME	REMARKS	No.	CODE	NAME	REMARKS
FEED MECHANISM							
1	XC8986021	FEED MODULE		44	X51383020	WASHER, THRUST	
2	XC4909021	BASE PLATE ASSY		45	048060346	RETAINING RING, E6	
3	XC4914021	FEED ARM SUPPORTER		46	137768121	SET SCREW COLLAR	
4	XC4915021	FEED DOG		47	XC4944021	BUSHING PRESSER B	
5	060300616	SCREW, BIND M3 x 6		48	085310615	TAPTITE, BIND B M3 x 6	
6	XC4916021	FEED BAR ASSY		49	025040332	WASHER, PLAIN L 4	
7	120454021	RETAINING RING, CS3		50	146200021	RETAINING RING, CS4	
8	XC4923020	HORIZONTAL FEED SHAFT		51	X56655021	RETAINING RING: CSTW-3.5	
9	048050346	RETAINING RING, E5		52	060400816	SCREW, BIND M4 x 8	
10	130676121	SET SCREW COLLAR		53	XC6364021	SPRING	
11	X50546020	WASHER, THRUST		54	XC4948020	BUSHING PRESSER A	
12	XC4924021	FEED ARM ASSY		55	XC3496021	GIZA TITE 5 x 16	
13	XC4927021	FEED SUPPORTING PLATE		56	XC8993021	INNER ROTARY HOOK ASSY	
14	XC4928020	FEED SUPPORTING PLATE B		57	X52800120	BOBBIN	
15	137999020	POLYESTER SLIDER		58	XC3805021	GIZA TITE 5 x 16	
16	XC4929020	FEED ADJUSTER		59	XC8990121	NEEDLE PLATE A ASSY	
17	XC4930121	FEED ADJUSTING SHAFT		60	XC4946121	NEEDLE PLATE A	
18	047201242	PIN, SPRING ROLL AW2		61	XC8991120	STOPPER PLATE	
19	XC4931021	SPRING		62	XC8992121	F GEAR STOPPER PLATE	
20	XC4932020	VERTICAL ADJUSTER		63	XD0196021	SCREW, BIND M2.6 x 3	
21	XC4933020	VERTICAL ROD		64	XD0060021	STOPPER PLATE B	
22	XC4934020	VERTICAL ROD HEAD		65	060300416	SCREW BIND M3X4	
23	014401032	SET SCREW, SOCKET (CP) M4 x 10		66	XD0059021	STOPPER PLATE L	
24	X56851021	LOCK NUT		67	X50487051	SCREW M4	
25	XC4935021	SPRING		FEED ADJUSTMENT MECHANISM			
26	XC4936020	VERTICAL FEED SHAFT		68	XC4949020	FEED CONNECTING HOLDER	
27	XC2551020	VERTICAL LEVER		69	XC9951021	FEED CONNECTING LEVER A	
28	048030346	RETAINING RING, E3		70	XC9952021	FEED CONNECTING LEVER B ASSY	
29	XC8987021	OUTER ROTARY HOOK ASSY		71	XA1620021	ADJUSTING SCREW	
30	XC0063021	MAGNET		72	X56960021	NUT 4	
31	XC8989020	WASHER		73	060401416	SCREW, BIND M4 x 14	
32	XC2230021	OUTER ROTARY HOOK SHAFT		74	021400205	NUT, 2 M4	
33	X53183021	WASHER		75	XC3496021	GIZA TITE 5 x 16	
34	XC4937020	SHAFT SUPPORTER		76	XC5062021	SPRING	
35	XC4938020	COLLAR		77	048040346	RETAINING RING E4	
36	XC6551021	SCREW, PAN (S/P WASHER) M4 x 22					
37	014400432	SET SCREW, SOCKET (CP) M4 x 4					
38	XC9370121	INNER ROTARY HOOK BRACKET ASSY					
39	052300606	SCREW, PAN (S/P WASHER) M3 x 6					
40	XC4941021	LOWER SHAFT ASSY					
41	XC4943021	TIMING PULLEY D					
42	014500532	SET SCREW, SOCKET (CP) M5 x 5					
43	X52664020	LOWER SHAFT BUSHING					

(4) ZIGZAG / PATTERN SELECTION MECHANISM

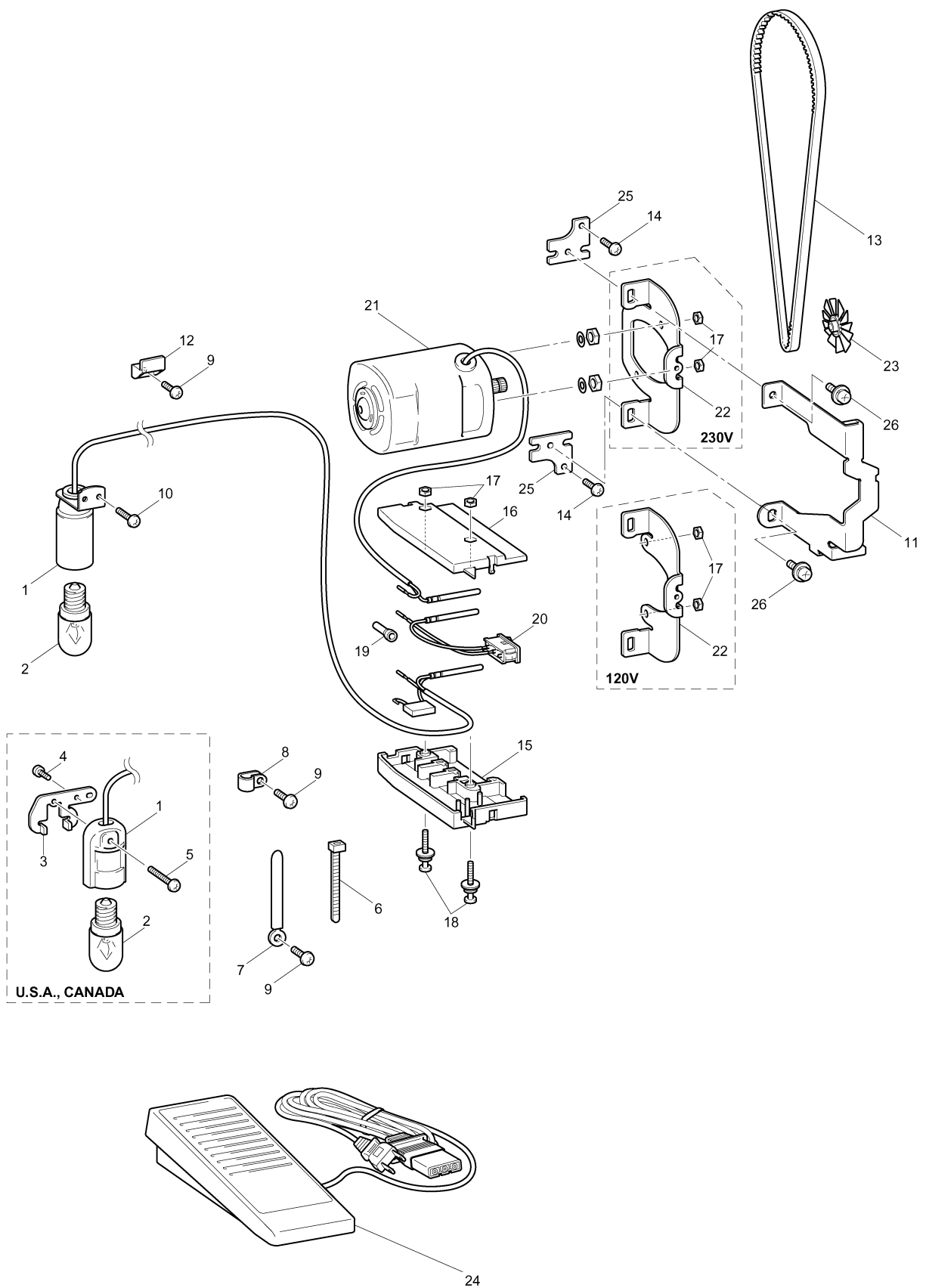
No.	CODE	NAME	REMARKS	No.	CODE	NAME	REMARKS
ZIGZAG MECHANISM				43	X59905021	SPRING	
1	XC8995021	ZIGZAG LEVER A ASSY		44	XC3805021	GIZA TITE 5 x 16	
2	XC8998020	ZIGZAG LEVER B		45	XC5035020	SPACER	
3	XC8999021	ZIGZAG LINK ROLLER SHAFT		46	XC5036020	WASHER	
4	0A4400806	SCREW PAN (S/P WASHER) M4X8		47	XC9218121	FEED DIAL	050009
5	048030346	RETAINING RING E3		48	048060346	RETAINING RING E6	
6	048040346	RETAINING RING, E4		49	XC9074021	SELECTING DIAL	
7	XA4200021	SPRING		50	XC9075021	DECORATION PLATE (XL2600:U.S.A. CAN)	
8	137713020	POLYESTER SLIDER			XC9075027	DECORATION PLATE (BM2600)	
9	048025346	RETAINING RING E2.5			XC9075033	DECORATION PLATE (XL2600:OTHER)	
10	X50559020	ZIGZAG ADJUSTING NUT			XC9075025	DECORATION PLATE (XL2610)	
11	062300806	SCREW PAN M3X8			XC9075026	DECORATION PLATE (XL2620)	
12	XC9002021	Z DIAL HOLDER ASSY			XC9075031	DECORATION PLATE (L25)	
13	XC9004021	Z DIAL			XC9075023	DECORATION PLATE (XL3500:U.S.A., XL3500T)	
14	048040346	RETAINING RING E4			XC9075030	DECORATION PLATE (BM3500)	
15	X56839021	NOTCHED SPRING			XC9075034	DECORATION PLATE (XL3500:OTHER)	
16	085310615	TAPTITE BIND B M3X6			XC9075028	DECORATION PLATE (XL3510)	
17	XC9006021	Z DIAL PIN			XC9075029	DECORATION PLATE (XL3520)	
18	XC9007020	Z DIAL CONNECTING ROD			XC9075032	DECORATION PLATE (L35)	
19	048025346	RETAINING RING E2.5		51	XC9077021	ZIGZAG LINK CONNECTING ROD	
20	XC3496021	GIZA TITE 5X16		52	048030346	RETAINING RING E3	
21	XC9008021	ZIGZAG LINK ASSY		53	XC9078021	ZIGZAG LINK HOLDER	
22	048050346	RETAINING RING E5		54	085411015	TAPTITE BIND B M4X10	
23	XC9011021	SPRING		55	XC5028021	REVERSE SEWING BUTTON	
24	XC9012020	SPRING HOLDER		56	XD0037020	WASHER 9	
PATTERN SELECTION MECHANISM				57	XD0038020	WASHER 10	
25	XC9209021	SELECTING UNIT ASSEMBLY					
26	XC4976021	BH ADJUSTING KNOB					
27	X59928021	SPRING WASHER					
28	048080346	RETAINING RING, E8					
29	048060346	RETAINING RING, E6					
30	XC4989021	ADJUSTING NUT					
31	062300806	SCREW PAN M3X8					
32	XC4994021	ADJUSTING NUT					
33	062301205	SCREW PAN M3X12					
34	XC9033021	SPRING					
35	XC9034021	BH FEED LEVER A ASSEMBLY					
36	XC9037021	BH FEED LEVER B ASSEMBLY					
37	XC9039021	SPRING					
38	XC5092021	SPRING					
39	XC9228021	SPRING (XL35**, BM3500, L35)					
40	048030346	RETAINING RING E3					
41	XC5029021	SPRING					
42	060300616	SCREW BIND M3X6					





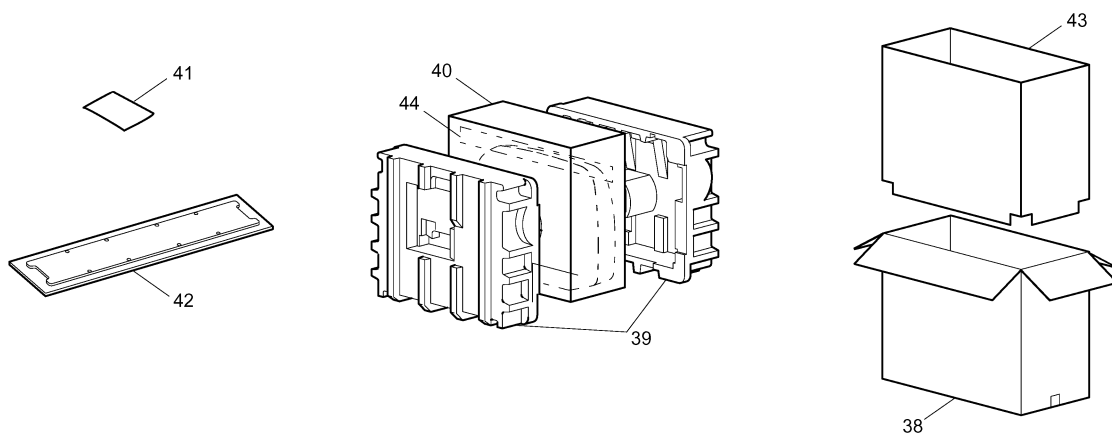
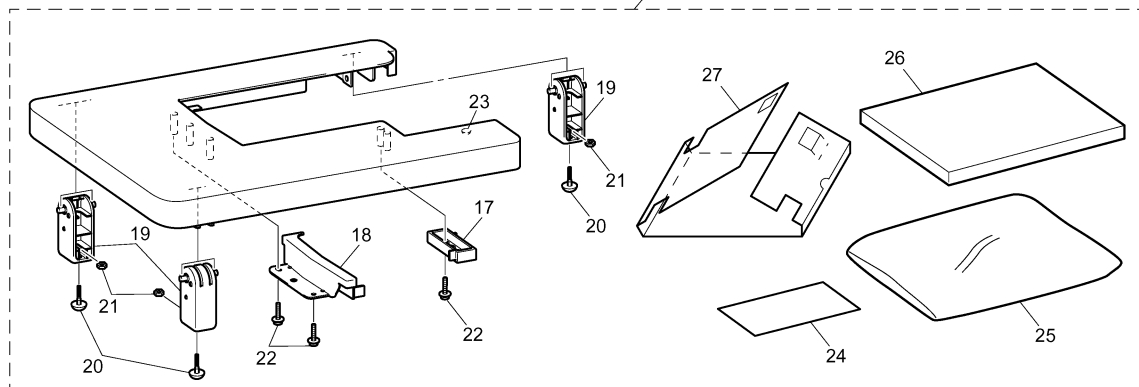
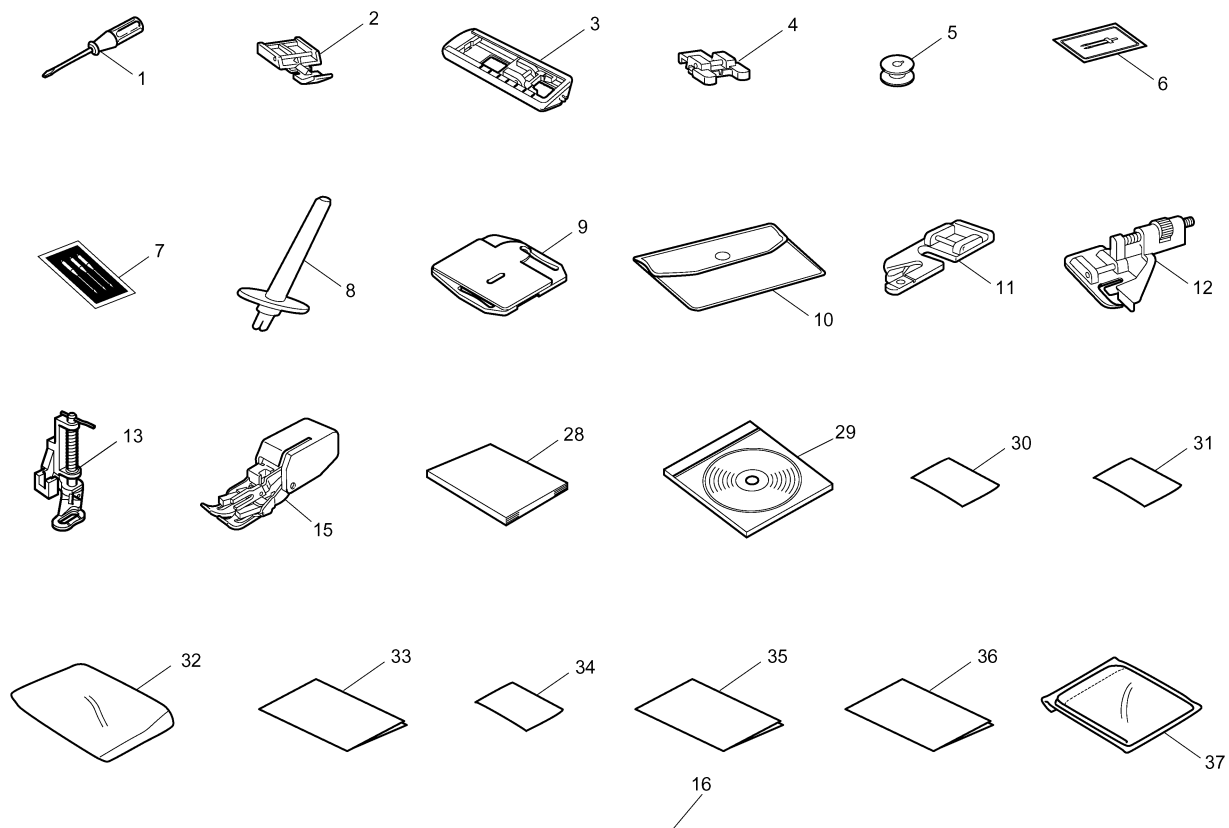
(6) LAMP MECHANISM / MOTOR UNIT

No.	CODE	NAME	REMARKS
LAMP MECHANISM			
1	XC5992021	LAMP ASSY,E12C #026 (U.S.A., CAN)	
	XC9132021	LAMP ASSY,E14K #186	
2	X53061020	SEW-LIGHT BULB (U.S.A., CAN)	
	205336020	SEW-LIGHT BULB L-4	
3	XC5065020	LAMP HOLDER 120V (U.S.A., CAN)	
4	060400616	SCREW, BIND M4 x 6 (U.S.A., CAN)	
5	060302016	SCREW, BIND M3 x 20 (U.S.A., CAN)	
6	X53169020	BAND	
7	XA0286021	WIRE CLIP	
8	XC5243021	CORD CLAMP:NK-5N	
9	085411416	TAPTITE, BIND B M4 x 14	
10	085311215	TAPTITE, BIND B M3 x 12 (Except for U.S.A., CAN)	
11	XC9079020	CORD GUIDE PLATE	
12	XC4972021	CORD CLAMP	
MOTOR UNIT			
13	XC3806121	TIMING BELT 372-2GT-6	
14	XC3496021	GIZA TITE 5 x 16	
15	XA8786021	3P SOCKET BODY	
16	XA8787021	3P SOCKET COVER	
17	021400205	NUT, 2 M4	
18	052403006	SCREW, PAN (S/P WASHER) M4 x 30	
19	214808020	CONNECTOR:#3	
20	XC5232021	POWER SWITCH ASSY	
21	XC9954021	MOTOR SUPPLY ASSY 120V (U.S.A., CAN)	
	XC9955021	MOTOR SUPPLY ASSY 230V	
22	XC5075020	YDK-120V MOTOR HOLDER (U.S.A., CAN)	
	XC5151020	YDK-230V MOTOR HOLDER	
23	XC3803020	MOTOR FAN	
24	XC7359021	FOOT CONTROLLER:KD-1902 (U.S.A., CAN)	
	XC7456321	FOOT CONTROLLER:KD-2902UK	050032
	XC7438321	FOOT CONTROLLER:KD-2902 (OTHER)	050032
	XD0105021	FOOT CONTROLLER:KD-2902 CHN	
	XC9632021	FOOT CONTROLLER:FC-317-59 (BM2600:AUSTRALIA)	
25	XC4955020	MOTOR FIXED PLATE	
26	XA3004021	BOLT,(S/P WASHER) M5 x 12	



(7) ATTACHMENTS / PRINTED MATTER / PACKING MATERIALS

No.	CODE	NAME	REMARKS	No.	CODE	NAME	REMARKS
ATTACHMENTS				30	XA6351121	WARRANTY CARD (ITALY)	
1	X55467021	SCREW DRIVER		31	181401172	INSERTION WARRANTY COUPON (CANADA)	
2	X59370021	ZIPPER FOOT		32	130800021	BAG,220 x 310	
3	X59369321	BUTTON HOLE FOOT ASSY		33	XC8537021	QUICK REFERENCE GUIDE (U.S.A., CAN)	
4	X59375121	BUTTON SEWING FOOT			XC8327021	QUICK REFERENCE GUIDE (BM2600, BM3500, L25, L35)	
5	X52800120	BOBBIN			XC9110021	QUICK REFERENCE GUIDE (OTHER)	
6	X57521021	NEEDLE PACKAGE (1 PCE)		34	XC9286021	CONTACT SHEET (XL2600, XL3500T:CAN)	050005
7	129583021	NEEDLE SET (3PCS)		35	XC1885021	MANUAL (XL3500T:CAN)	
8	130920021	EXTRA SPOOL PIN		36	XA7201021	USER'S MANUAL (XL3500T:CAN)	
9	XC6063021	FEED DOG COVER		37	XA2112022	DUST COVER ASSY (Except for U.S.A., CAN)	
10	XC4487021	ACCESSORY BAG		PACKING MATERIALS			
11	X59371021	NARROW HEMMER FOOT (U.S.A.,CAN)		38	XC5079028	COLOR CARTON (XL2600:U.S.A., CAN)	
12	X59372021	BLIND STITCH FOOT (U.S.A., CAN)			XC5079030	COLOR CARTON (XL2610:U.K.)	
13	X59821001	QUILTING FOOT (XL3500T)			XC5079029	COLOR CARTON (XL3500:U.S.A.)	
14	X59819001	QUILTER (XL3500T)			XC5079031	COLOR CARTON (XL3510:U.K.)	
15	X54832101	UPPER FEEDING ASSEMBLY			XC5079033	COLOR CARTON (BM3500:SIN)	
16	XC9800021	S99 WIDE TABLE ASSY (XL3500T)			XC5079034	CARTON (BM2600:AUSTRALIA)	
17	XC9360021	FIXING PLATE A (XL3500T)			XC5152034	CARTON (BM2600)	
18	XC9786021	FIXING PLATE S99 (XL3500T)			XC5152030	CARTON (XL2600:OTHER)	
19	XC4495021	TABLE FOOT (XL3500T)			XC5152033	CARTON (XL2620)	
20	XC4550021	ADJUSTING FOOT (XL3500T)			XC5152040	CARTON (XL2610:FRA)	
21	021400206	NUT 2 M4 (XL3500T)			XC5152035	CARTON (L25)	
22	087411416	TAPTITE CUP B M4X14 (XL3500T)			XC9804021	CARTON (XL3500T)	
23	X59853020	RUBBER CUSHION (XL3500T)			XC5152038	CARTON (BM3500)	
24	XC9802021	INSTRUCTION MANUAL (XL3500T)			XC5152031	CARTON (XL3500:OTHER)	
25	X61231021	BAG,400X500H (XL3500T)			XC5152037	CARTON (XL3520)	
26	XC9361020	LE WIDE TABLE CARTON (XL3500T)			XC5152039	CARTON (XL3510:FRA)	
27	XC9362020	PAD (XL3500T)		XC5152036	CARTON (L35)		
PRINTED MATTER				39	XC5081220	S22SF ASSY	050003
28	XC8346021	INSTRUCTION BOOK (U.S.A.)		40	X60439121	BAG,630 x 630T	
	XC6771021	INSTRUCTION BOOK (English)		41	X57847021	PLUG LABEL (U.K.)	
	XC7252021	INSTRUCTION BOOK FRE		42	LA6041001	SECURITY TAG (U.S.A.)	
	XC9157021	INSTRUCTION BOOK (German)		43	XC5063020	PROTECTION CARTON	
	XC8248021	INSTRUCTION BOOK SWE		44	XC9921021	SHEET 14X245	
	XC7344021	INSTRUCTION BOOK DUT		45	XC9806020	PAD (XL3500T)	
	XC8030021	INSTRUCTION BOOK ITA					
	XC8113021	INSTRUCTION BOOK DEN					
	XC8276021	INSTRUCTION BOOK FIN					
	XD0103021	INSTRUCTION BOOK CHN					
	XC7453021	INSTRUCTION BOOK SPA	ADD				
29	XD0035021	INSTRUCTION DVD PAL (XL****:U.K.)					
30	XC0380021	WARRANTY CARD (U.S.A.)					
	UH3851001	WARRANTY CARD EUR					
	XC6402021	WARRANTY CARD UK					



XL2600/2610/2620/BM2600/L25
XL3500/3510/3520/BM3500/L35
21M04HF885S25/27