

OWNER'S MANUAL

SINGER
SEWING MACHINE
MODEL 484.1544180

Built by Singer ... Backed by Sears

CONGRATULATIONS

--- on the purchase of this new Singer* sewing machine. To achieve the most enjoyment and satisfaction from this product, it is recommended that the instruction manual be read through step by step while seated in front of the machine. This will help the operator get to know all of its parts and capabilities.

OWNER'S MANUAL SINGER ★ MODEL 484.1544180

The manufacturer reserves the right to change the appearance, design, or accessories of this sewing machine as considered necessary without any notification or obligation.

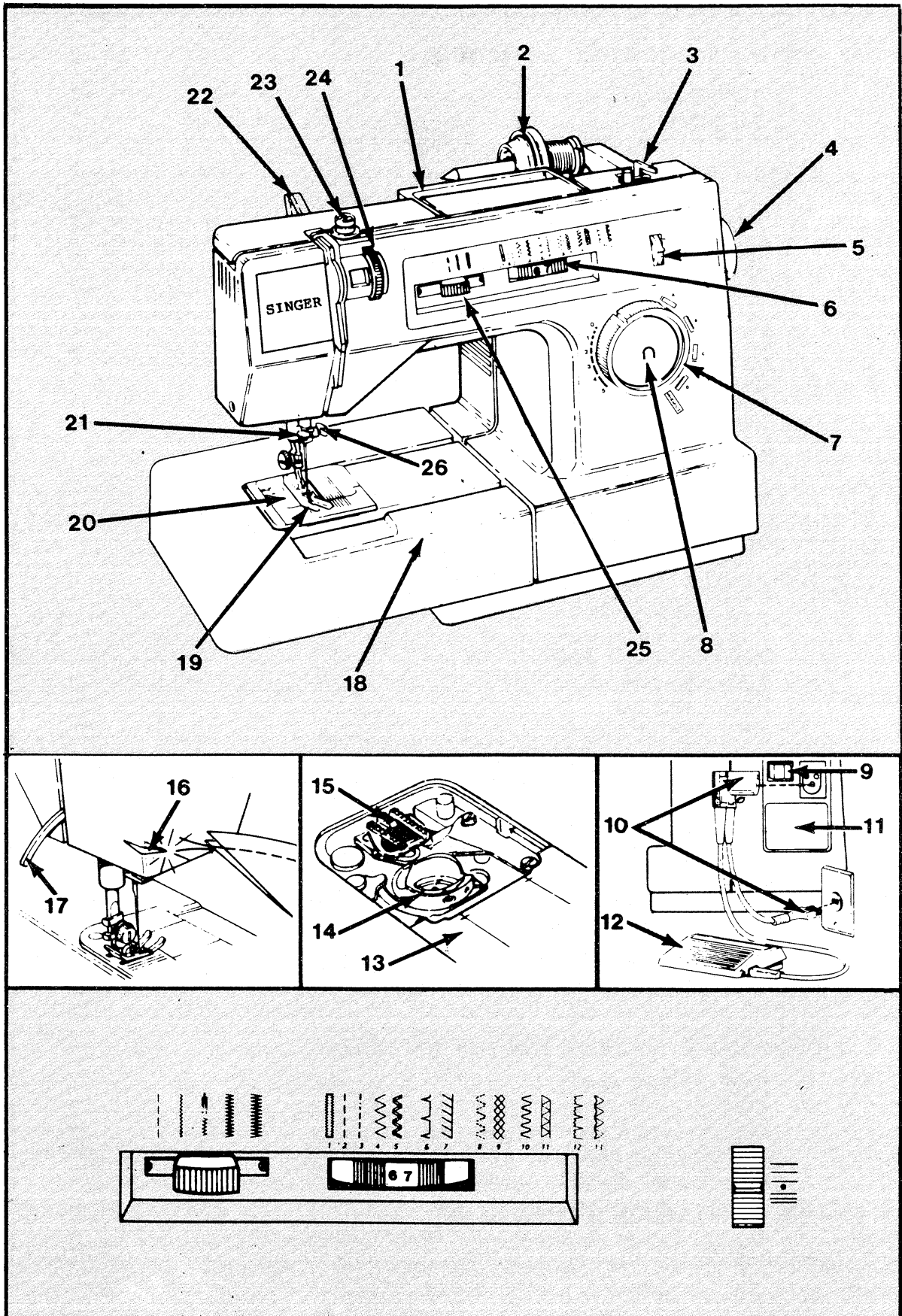
* A trademark of The Singer Company
Copyright 1987, Singer Sewing Machine Company

All rights reserved throughout the world

TABLE OF CONTENTS

1. GETTING TO KNOW YOUR MACHINE	2
Principal Parts.....	3
Accessories.....	4
Important Safeguards.....	5
2. GETTING READY TO SEW	6
Connecting the Controller.....	6
Running the Machine.....	6
Changing Snap-on Presser Feet.....	7
Changing Screw-on Presser Feet.....	7
Changing Needles.....	8
Removing Needle Plate.....	8
Replacing Needle Plate.....	8
Attaching Feed Cover.....	9
Attaching Blindstitch Guide.....	9
Winding the Bobbin.....	10
Threading the Bobbin Case.....	11
Threading the Machine.....	12
Raising the Bobbin Thread.....	13
Adjusting Needle Thread Tension.....	14
Cloth Plate Removal and Replacement.....	15
3. STITCH SELECTION	16
Adjusting Stitch Width.....	16
Adjusting Stitch Length.....	16
Adjusting Stitch Balance.....	17
Reverse Stitching.....	17
Pattern Selection.....	17
Description of Stitches.....	18
4. SEWING TIPS AND APPLICATIONS	19
Fabric, Thread, and Needle Table.....	19
Sewing a Seam.....	20
Guiding Fabric.....	21
Basting.....	21
Blindstitching.....	22
Inserting a Zipper.....	23
Four-Step Buttonhole.....	24
Twin Needle Sewing.....	26
Personal Measurements.....	27
Performance Checklist.....	28
5. CLEANING AND CARING FOR THE MACHINE	29
Removing Face Plate.....	29
Cleaning the Machine.....	29
Removing and Replacing Bobbin Case.....	30
Replacing Slide Plate.....	30
Removing and Replacing Light Bulb.....	31
6. QUICK REFERENCE SETTING GUIDE	32
7. WARRANTY	33

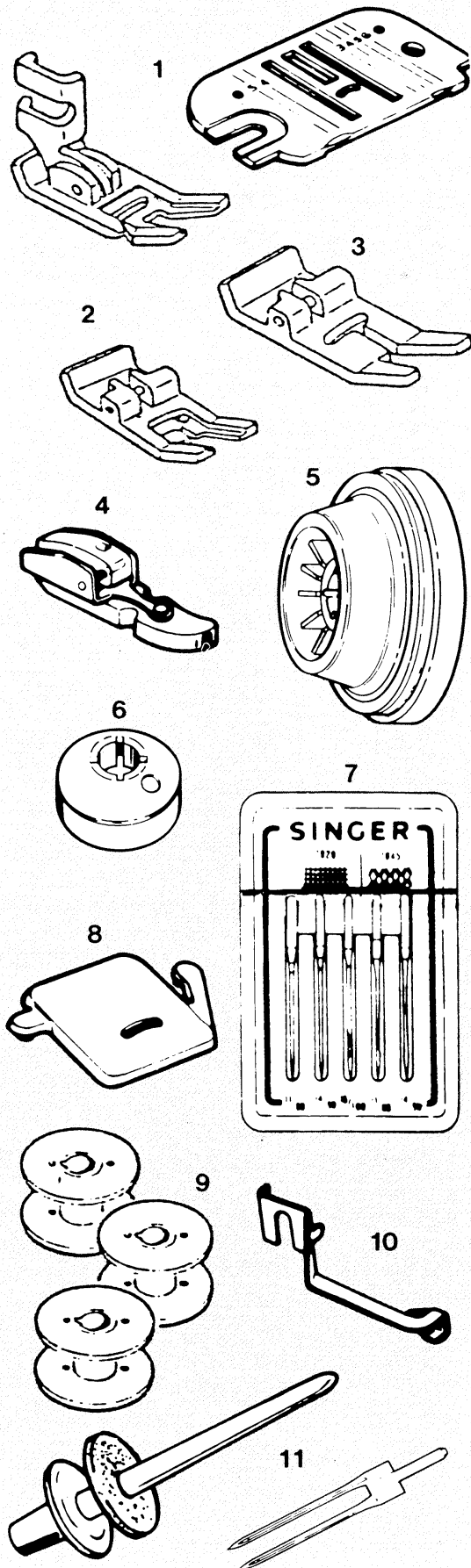
1. GETTING TO KNOW YOUR MACHINE



Principal Parts

- | | |
|-----------------------------|----------------------------|
| 1. Carrying Handle | 14. Bobbin Case |
| 2. Spool Holder | 15. Fabric Feed (Feed Dog) |
| 3. Bobbin Winder | 16. Thread Cutter |
| 4. Hand Wheel | 17. Presser Foot Lifter |
| 5. Stitch Balance Dial | 18. Cloth Plate |
| 6. Stitch Pattern Selector | 19. Presser Foot |
| 7. Stitch Length Control | 20. Needle Plate |
| 8. Reverse Stitching Button | 21. Thread Guide |
| 9. Power and Light Switch | 22. Snap-in Thread Guide |
| 10. Electrical Connections | 23. Bobbin Winder Tension |
| 11. Electrical Rating Label | 24. Top Thread Tension |
| 12. Speed Controller | 25. Stitch Width Control |
| 13. Slide Plate | 26. Needle Clamp |

Accessories



The following accessories are furnished with this sewing machines:

1. **General Purpose Presser Foot (447808) and Needle Plate (447580)** are on the machine when delivered. Use together for most sewing projects.
2. **Special Purpose Presser Foot (446492-451)** for decorative stitching.
3. **Buttonhole Presser Foot (161927-001)**
4. **Zipper Foot (507836)**
5. **Spool Holder (179967-451)** for medium and large thread spools.
6. **Small Spool Holder (507664-459)** for small thread spools.
7. **Needle Pack** includes an assortment of types and sizes.
8. **Feed Cover (381459-001)** for darning or embroidery.
9. **Extra Bobbins (172336)**
10. **Blind Stitch Hem Guide (381213)**
11. **Twin Needle (2025) and Extra Spool Pin (422250-451) with Felt Washer (8879-451)** for decorative stitching.

Important Safeguards

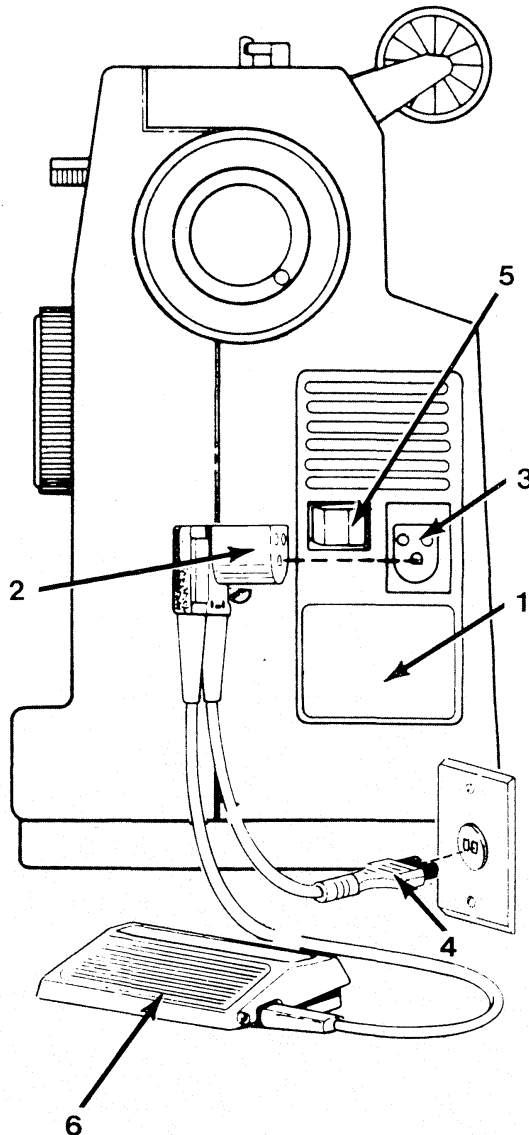
1. Disconnect the powerline plug from the electrical outlet when changing needles, feet, or needle plates, or when leaving machine unattended. This eliminates the possibility of starting the machine by accidentally pressing the speed controller.
2. Before removing the bobbin case, disconnect the powerline plug from the electrical outlet.
3. Because of the up and down movement of the needle, work carefully and watch the sewing area when operating the machine.
4. Do not pull the fabric while stitching as this may deflect the needle, causing it to break.
5. Before cleaning the machine, disconnect the powerline plug from the electrical outlet.
6. Do not attempt to adjust the motor belt. Contact a Sears service center should any adjustment be required.
7. Before changing the light bulb, make sure the powerline plug is disconnected from the electrical outlet. Be sure to replace the face plate which covers the light bulb before operating the machine.
8. This machine is designed to use a 15 watt maximum light bulb (#20-6797) only.

This product is suppressed for radio and television interference with the International Electro-technical Commission requirements of the CISPR.

2. GETTING READY TO SEW

To really enjoy sewing, get to know the machine well. This chapter will be valuable in doing just that.

Connecting the Machine



Connecting the Controller

NOTE: Before plugging in the machine, be sure the electrical information on the label (1) below the handwheel agrees with the local electrical supply.

Push plug (2) into the receptacle (3) at the right end of the machine. Then, connect plug (4) to an electrical outlet.

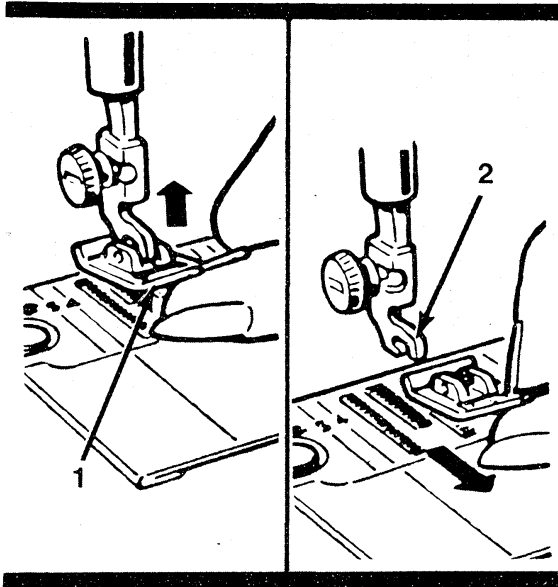
Running the Machine

To turn on machine and sewing light, press rear portion of power switch (5). To turn off machine and light, press front portion "0" of power switch.

To run the machine and control speed, press the speed controller (6) with foot. The harder it is pressed, the faster the machine will sew. To stop machine, remove foot from the controller.

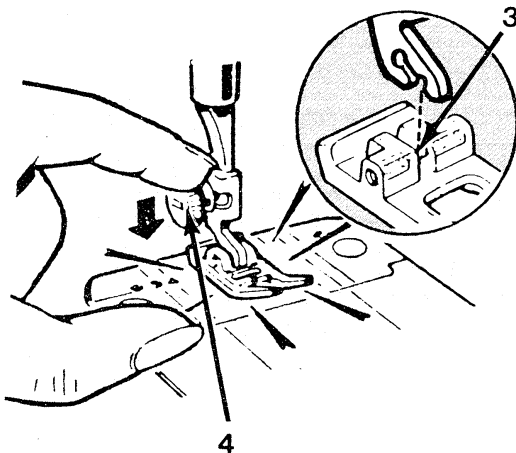
NOTE: Do not operate machine without fabric under the presser foot as this may damage the feed and the presser foot.

Changing Snap-on Presser Feet



The accessory feet supplied with the machine fit onto a common shank and are attached easily as follows:

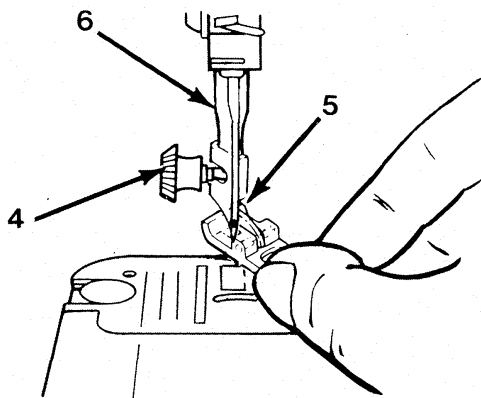
- * Raise needle to highest point by turning the handwheel towards the operator.
- * Raise presser foot using lever on rear of machine.
- * Push up on toe of presser foot (1) until it snaps off shank (2) and remove foot.



* Place new foot on needle plate with pin (3) under center of shank.

- * Using presser foot lifter, lower shank onto pin (3) and push down firmly on presser foot screw (4) until foot snaps into place onto shank.

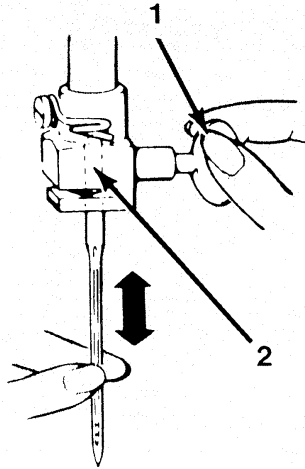
Changing Screw-on Presser Feet



Special feet which have built-in shanks are replaced as follows:

- * Raise needle and presser foot.
- * Loosen presser foot screw (4) with a coin and remove presser foot with shank (5) guiding it towards the operator and to the right.
- * To replace foot, hook it around presser bar (6) and screw (4). Tighten screw with a coin.

Changing Needles



* Raise needle to highest position by turning handwheel towards the operator.

* Loosen needle clamp screw (1) and remove needle.

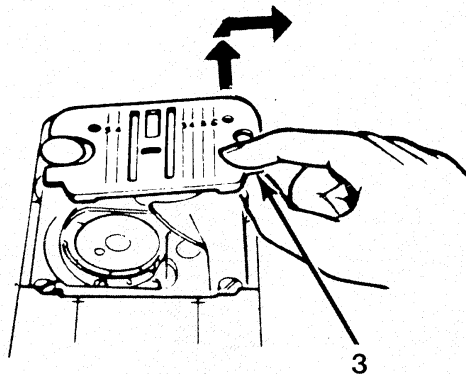
* With flat side of needle to the back, insert new needle into clamp (2) as far as it will go.

* Tighten needle clamp screw (1) securely.

Check the Fabric, Thread and Needle Chart in this book for correct needle and fabric combinations.

For best results always use genuine singer* needles.

Removing Needleplate



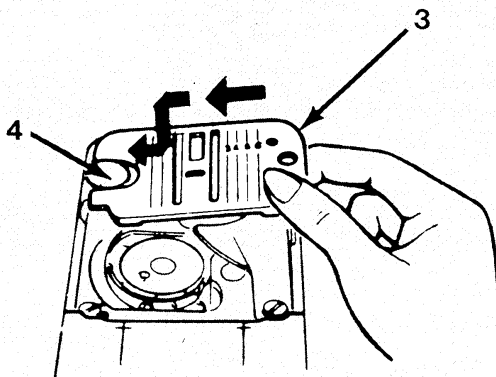
For either cleaning or use of the optional straight stitch plate (423134), available from Sears parts department, do the following:

* Raise needle and presser foot to their highest positions.

* Open slide plate and place thumb under right side of needle plate (3).

* Lift up and pull plate to the right to remove it from the machine.

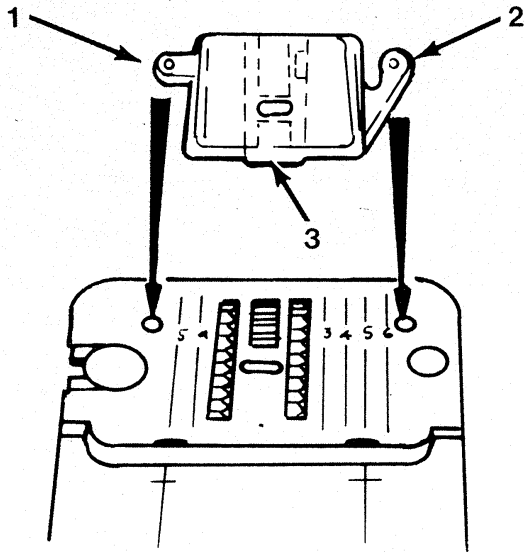
Replacing Needleplate



* Holding needle plate as shown, slide it to the left under the head of clamping pin (4).

* Press down on right side at (3) until it fits securely in place.

Attaching Feed Cover



For darning and free-motion embroidery, the feed cover prevents the feed from moving the material. Attach it as follows:

* Raise needle and presser foot, and open slide plate.

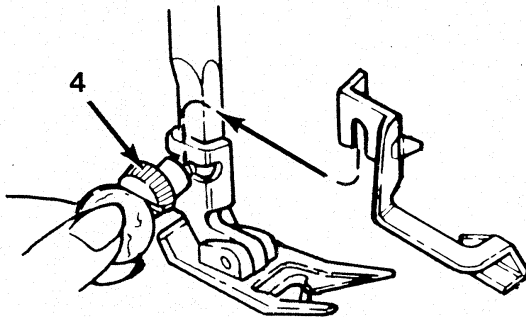
* Slide feed cover on top of needle plate, pressing tabs (1) and (2) into holes in needle plate. Then, close slide plate.

* To remove, open slide plate. Lift front edge of cover (3) and pull it away.

The optional darning and embroidery foot (381459-001), available from Sears parts department, may be used.

If operator prefers to do these operations by removing presser foot and shank entirely from machine, be sure presser bar is lowered to maintain proper thread tension.

Attaching Blindstitch Guide

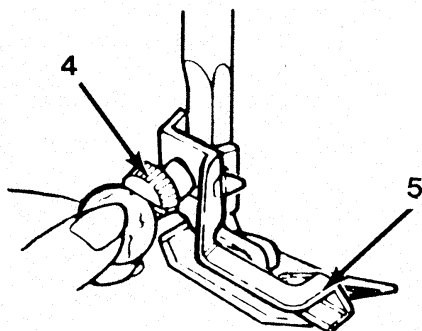


* Raise presser foot and loosen presser foot screw with a coin.

* Slip blindstitch hem guide between screw and presser foot shank.

* Be sure underside of the guide (5) clears the slide plate and front of foot.

* Tighten screw (4) with the coin.



Winding the Bobbin

Winding of the bobbin is done before threading machine:

* Place spool of thread on spool pin (1). If spool being used has a thread retaining slit (A), It should be placed against the spool seat to the right.

* Choose size of spool holder (2) to fit spool. Slide it onto pin snugly against spool to keep spool from turning.

* Lead thread into top thread guide (3) by snapping it down into top of guide with two hands.

* Proceed to thread tension (4) wrapping thread once around in a clockwise direction.

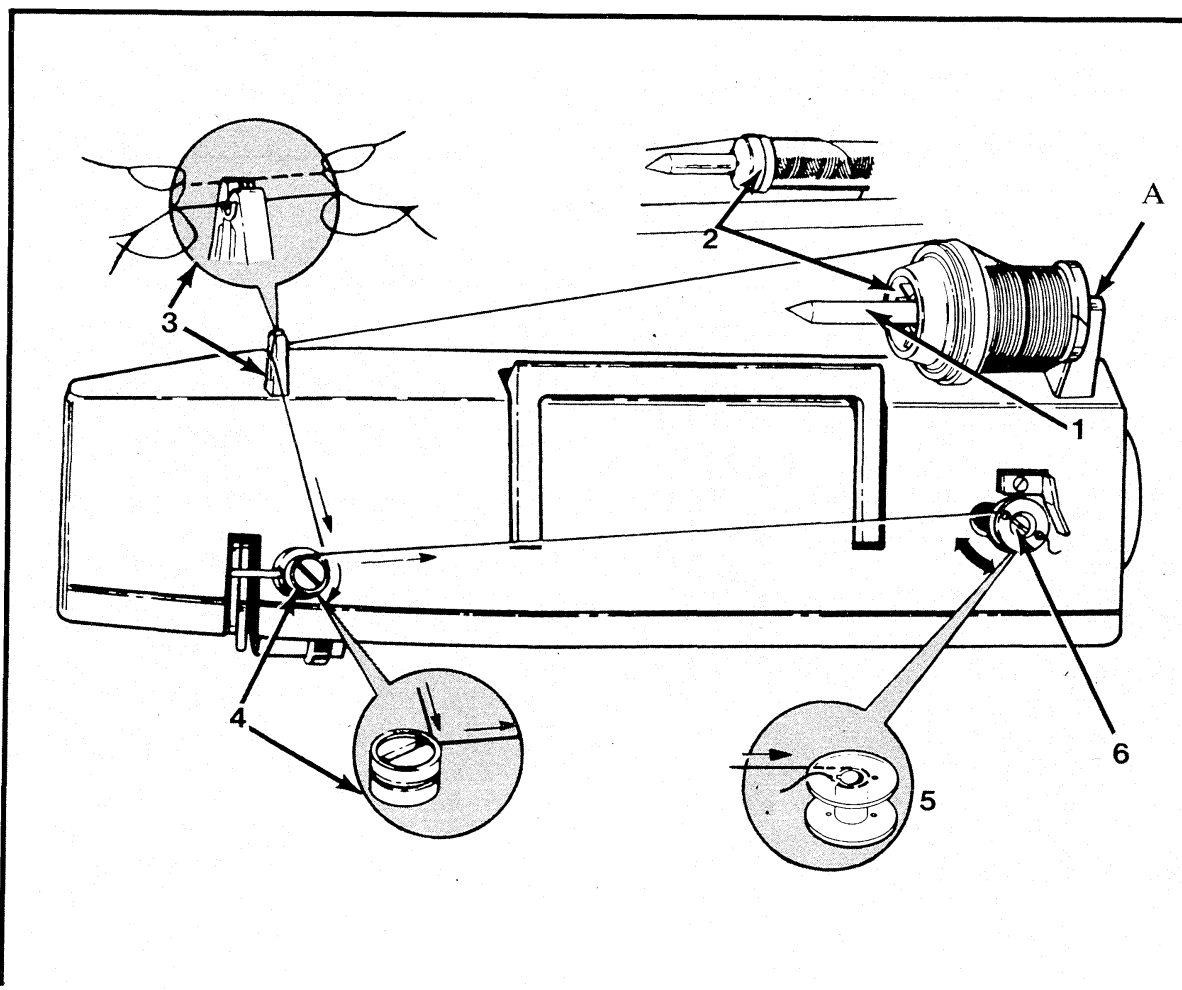
* Guide end of thread through small hole in top of bobbin (5) and place bobbin onto bobbin winder (6).

* Push bobbin winder to the right to engage the drive system and to disengage sewing mechanism for winding.

* Hold thread end coming through hole in bobbin and start motor. Wind slowly. Stop after a few turns to trim end, then continue winding to desired fullness.

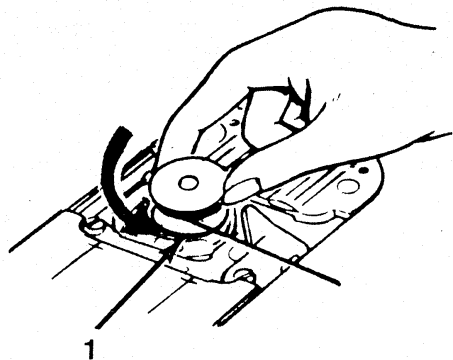
Note: Bobbin will stop turning by itself when full, but sewing mechanism must be reset by the operator.

* Release speed controller and push winder to the left to re-engage sewing mechanism.

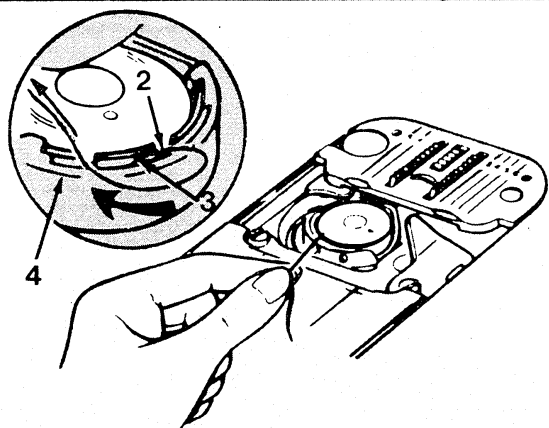


Threading the Bobbin Case

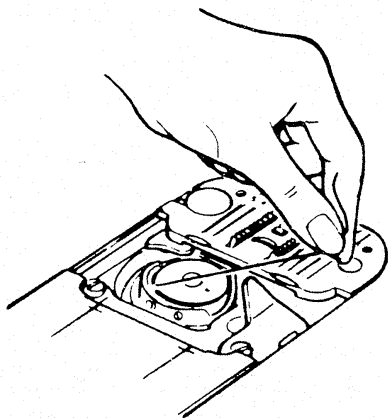
* Hold bobbin so that thread unwinds in a counter-clockwise direction, as shown, and place bobbin in bobbin case (1).



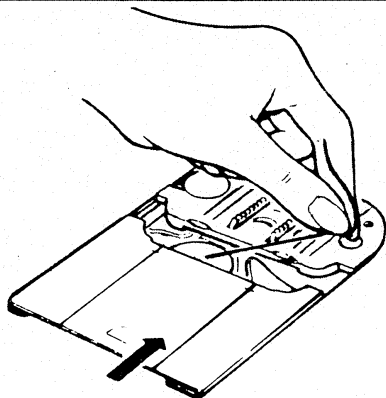
* Pull thread into notch (2), draw it back under the tension spring (3), and back into slot (4).



* Draw approximately 4 inches (10 cm.) of thread across the bobbin.



* Close slide plate allowing the thread to enter the slot between the needle plate and slide plate.



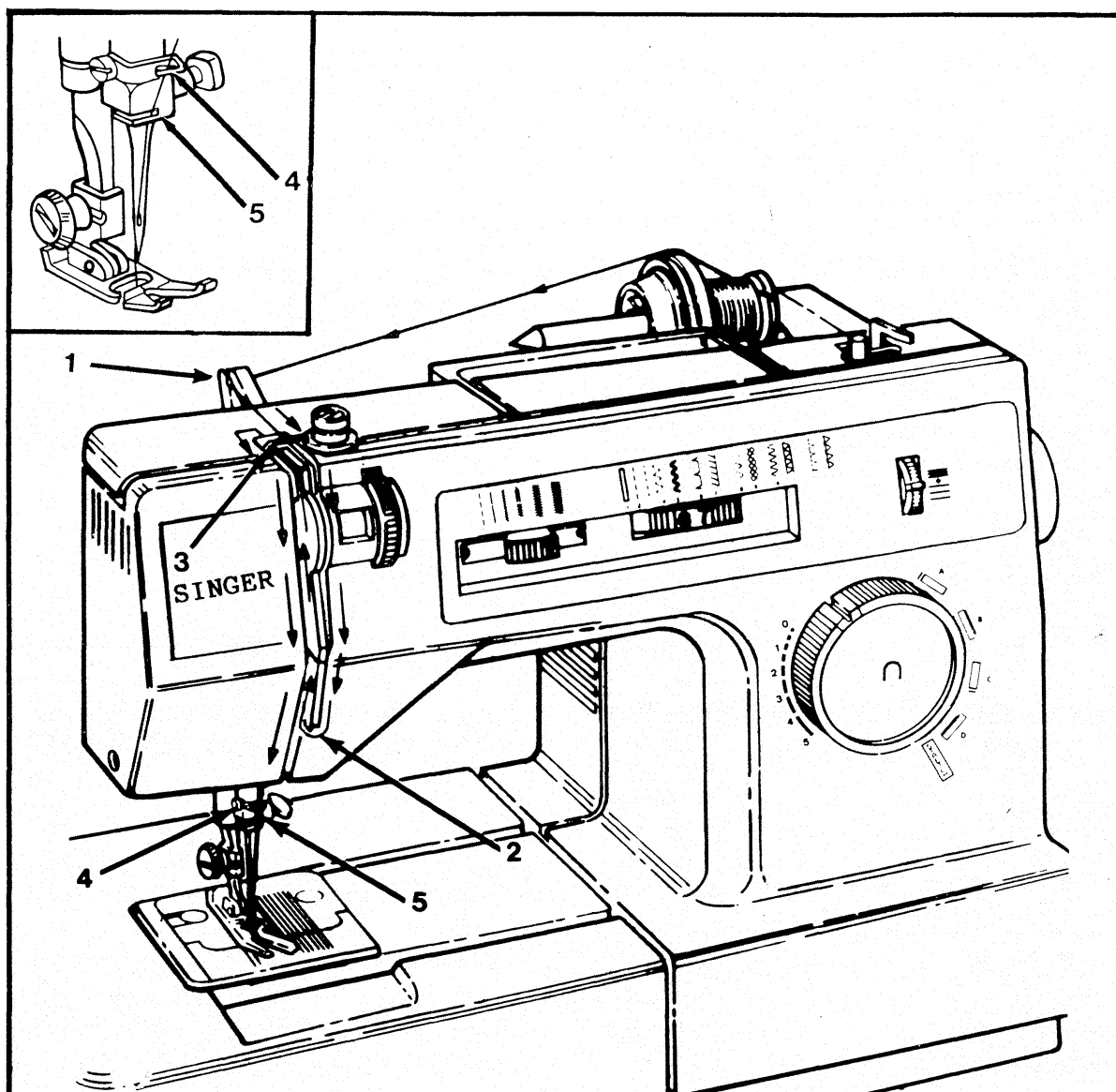
Threading the Machine

The top thread is now ready to be threaded into the machine. Proceed as follows:

- * Raise needle and presser foot to their highest positions.
- * Lead thread from spool on spool pin and snap into top thread guide (1) by grasping thread with two hands and snapping it down into top of guide.
- * Following arrows in illustration, guide thread across top of machine, down the right hand channel through the tension discs, under the bottom of the channel separator (2), and up the left hand channel.
- * At the top (3) of the left thread channel, pull the thread to the left into the self-threading take-up lever and then down to the needle going through **BOTH** guides (4) and (5) on needle clamp.

NOTE: Do not thread lower guide (5) if you are using heavy thread.

- * Lower the presser foot and thread the needle from front to back drawing about 4 inches (10 cm) through the eye of the needle.

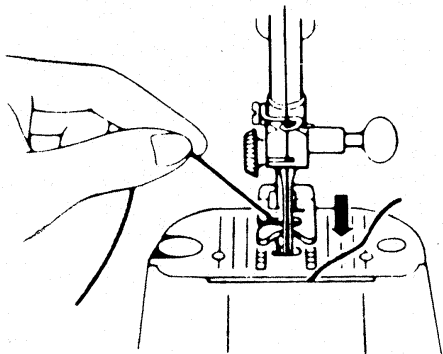


Raising the Bobbin Thread

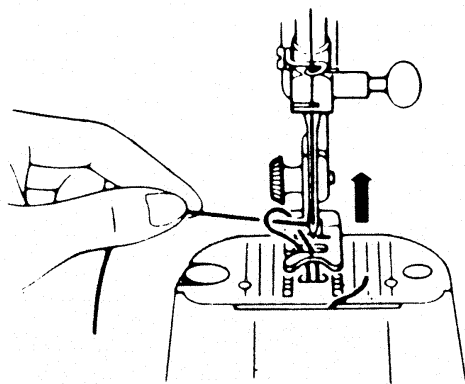
The last step in threading the machine is to raise the bobbin thread. Proceed as follows:

* Raise presser foot.

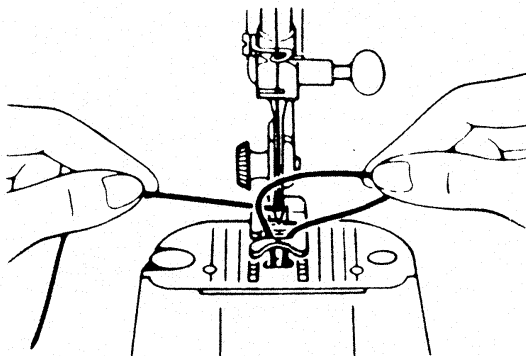
* Hold needle thread lightly with the left hand and turn handwheel counterclockwise (towards you) one complete revolution by hand.



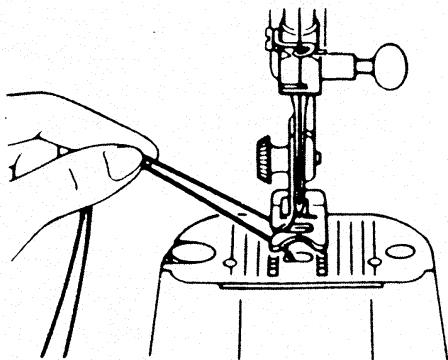
* As the needle rises from the needle plate, the bobbin thread will be drawn up in a loop.



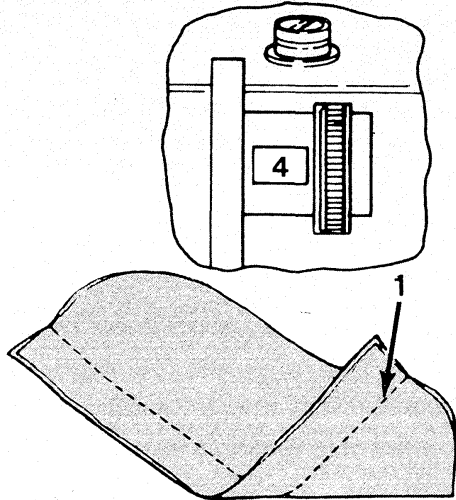
* Grip loop with fingers and pull up to free end of bobbin thread.



* Place both needle and bobbin threads under the foot and draw them to the back of the machine.

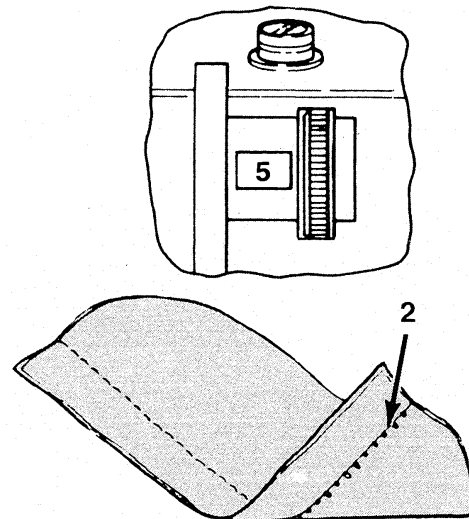


Adjusting Needle Thread Tension



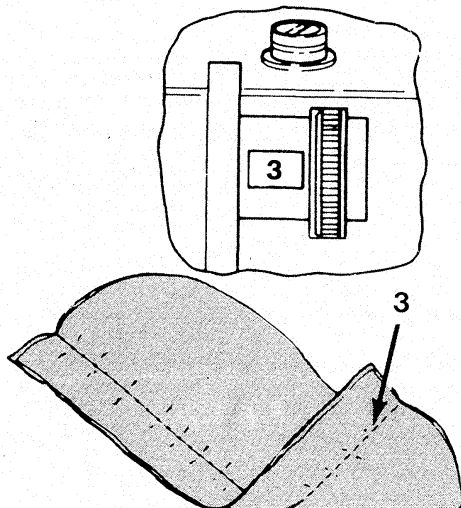
Bobbin thread tension is preset by factory but the top thread tension can be adjusted to suit different sewing situations.

* For most stitching, setting the tension from 3 to 5 should produce satisfactory results.



* If stitching appears loose or small loops are visible on the bottom of the seam, the tension should be increased.

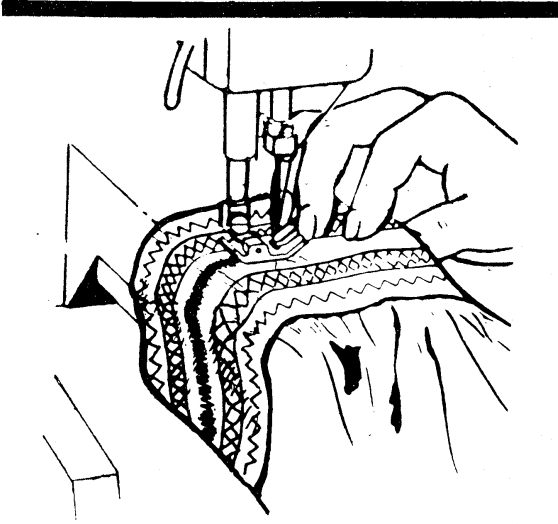
* Turn dial upwards towards the higher numbers until stitching is acceptable.



* If stitching appears tight and fabric puckers, the tension should be decreased.

* Turn dial downwards towards the lower numbers until stitching is acceptable.

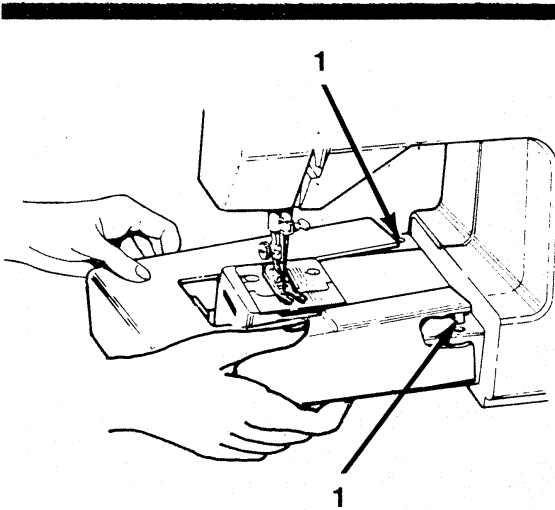
Cloth Plate



The cloth plate provides a large surface to help support and guide the garment during sewing operations. The majority of applications are best performed with the cloth plate in place.

For professional finishing of cuffs, sleeves and trouser legs, the cloth plate can be removed to allow the garment to be placed around the tubular bed of the machine.

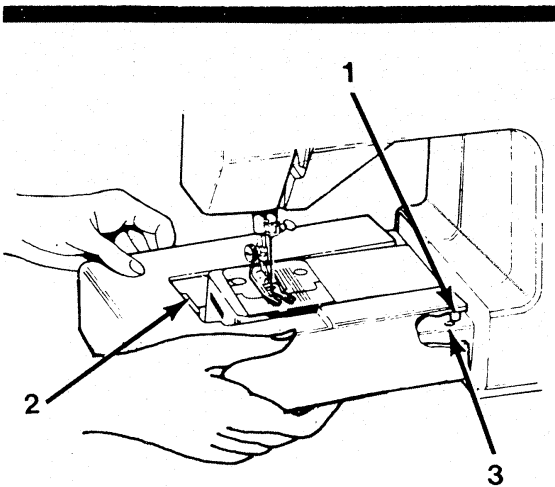
Removal



* Flip up at right hand end to release the locking pins (1).

* Slide cloth plate away to the left.

Replacement



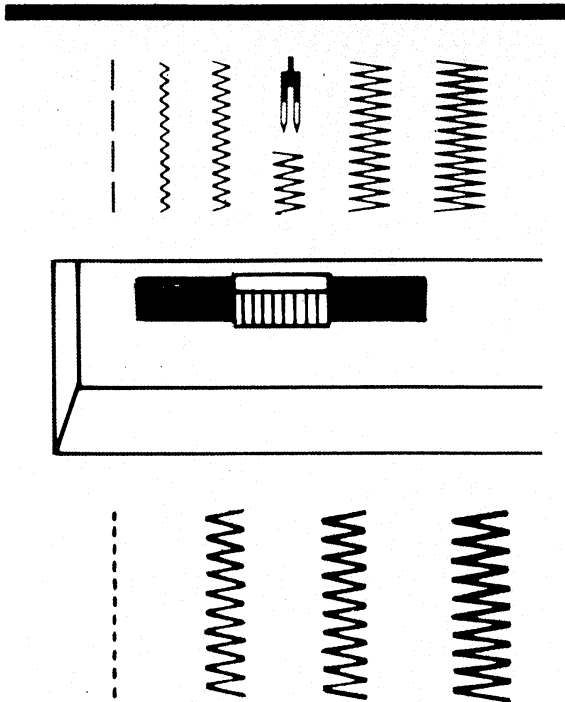
* Slide cloth plate into place from left to right at a slight angle, making sure that the plate is level with bed surface at the left hand edge to engage tab (2).

* Press down at right hand side to lock cloth plate pins (1) into holes (3) in machine.

3. STITCH SELECTION

Select the right stitch for each sewing project along with proper length, width and balance. A test sample using the chosen fabric and thread is recommended.

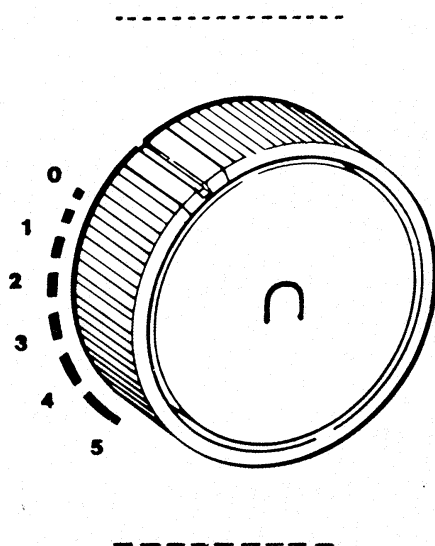
Adjusting Stitch Width



Before moving any controls, make sure needle is out of the fabric.

* Movement of the stitch width control towards the right from its straight stitch position at the extreme left will produce progressively wider stitch patterns.

Adjusting Stitch Length



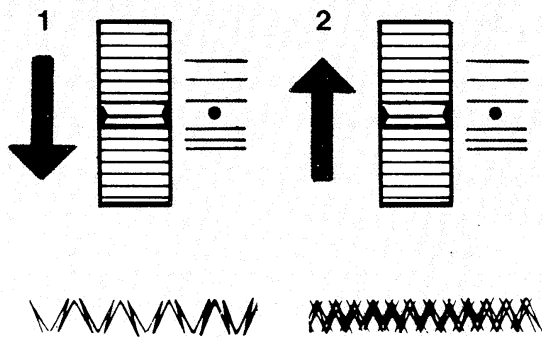
* By turning the dial on the front of machine, the length of the stitch can be varied.

* For most stitching the line on the dial should be set between 1 and 5 with 5 producing the longest stitch.

* For very short stitches, fine adjustment should be made by setting mark on dial between 0 and 1.

The numbers on this control are for reference only and do not relate directly to the actual length of stitch being sewn.

Adjusting Stitch Balance



When sewing stretch stitch patterns or buttonholes, it may be necessary to adjust this control for proper stitch appearance.

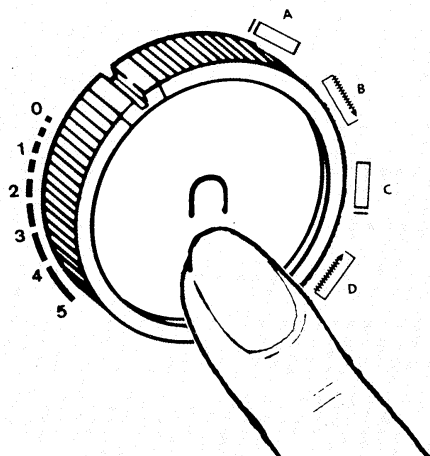
* Turn dial downwards (1) to bring stitches of the pattern together.

* Turn dial upwards (2) to separate stitches of the pattern.

Always return dial to its center position after sewing stretch stitch patterns.

For best results, balance and sew stretch stitch patterns and buttonholes at a moderate speed.

Reverse Stitching

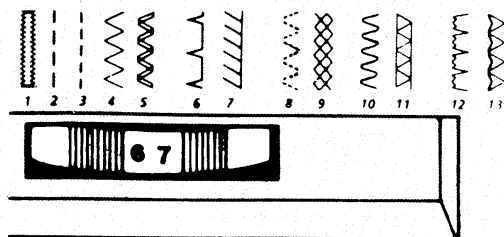


To lock a seam or for miscellaneous applications, reverse stitching may be required. To sew in reverse, proceed as follows:

* Depress button in center of stitch length dial and hold depressed until reverse stitching is completed.

* Button may be pushed while machine is sewing.

Pattern Selection
















* Set stitch width control to its extreme left-hand position, then turn pattern selector dial to choose group of numbers containing number of desired stitch.

* For a regular pattern, set stitch width, stitch length, and tension in normal manner. Buttonhole selection is discussed later in this book.

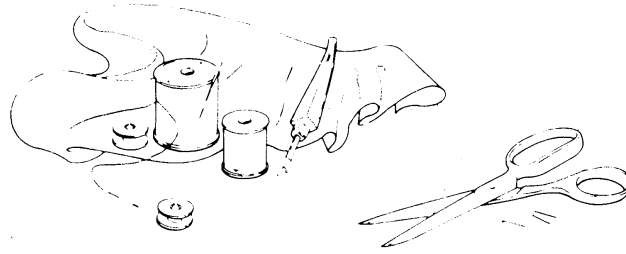
* For stretch pattern (yellow), turn stitch length dial counterclockwise so indicator notch on dial lines up with the word "stretch" on machine. Set width, balance and tension to get proper appearance.

Description of Stitches

	1. Buttonhole (Special)
	2. Straight Stitch (Regular) - Lock stitch used for most general sewing tasks.
	*3. Straight Stretch (Stretch) - Use for reinforced seams and for decorative top stitching.
	4. Zig-Zag (Regular) - Use for sewing seams, appliqueing, monogramming, or decorating.
	*5. Ric-Rac (Stretch) - A heavy-duty stretch stitch that can also be used for top stitching.
	6. Blind Stitch (Regular) - Use for hem finishing.
	*7. Slant Overedge (Stretch) - Use for joining and finishing seams in one step on knit fabrics.
	8. Multi-stitch Zig-Zag (Regular) - Use for mending, joining, and reinforcing.
	*9. Honeycomb (Stretch) - Use for smocking, quilting, and decoration.
	10. Rampart Stitch (Regular) - Use for borders and smocking.
	*11. Turkish Hem Stitch (Stretch) - Traditionally used for hemstitching.
	12. "M" Stitch (Regular) - Use for ornamental seams and seams in stretch fabrics.
	*13. Stretch Overedge (Stretch) - Use to finish stretch seams, hems, and facings.

* Sewing of these patterns should be performed at **SLOW SPEED**.

4. SEWING TIPS AND APPLICATIONS



Fabric, Thread, and Needle Table

Your fabric will determine the choice of a needle and thread.

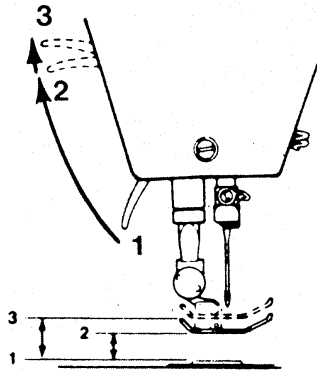
A practical guide to needle and thread selection. Always refer to it before a new sewing project.

And be sure to use the same size and type of thread in the bobbin as in the top thread supply.

Fabrics	Thread	Needles	
The fabrics below can be of any fiber: Cotton, linen, silk, wool, synthetic, rayon, blends. They are listed as examples of weight.		Failure to use a singer brand needle may result in skipped stitches or poor sewing performance	
		Type	Size
Very Lightweight : Batista, Chiffon, Organza, Voile.	Cotton-Wrapped polyester core (extra fine) Long fiber, polyester (extra fine)	2020 red shank	9/70 or 11/80 orange band
Lightweight : Challis, Chambray, Charmeuse, Crepe de China, Gauze, Handkerchief Linen, Silk, Taffeta, Tissue faille.	Cotton-wrapped polyester core (all purpose) Long fiber, polyester (two spun)	2002 red shank	11/80 orange band
Medium-Weight : Broadcloth, Erocades, Chino, Chintz, Corduroy, Flannel, Linen, Poplin, Satin, Synthetic Seudes, Taffeta, Terry, Velvet	Cotton-wrapped polyester core (all purpose) Long fiber, polyester (two spun)	2020 red shank	14/90 blue band
Medium to Heavy-Weight : Coating, Damask, Denim, Drapery Fabric, Fake Fur, Gabardine, Ticking, Woolens	Cotton-wrapped polyester core (all purpose) Long fiber, polyester (two spun)	2020 red shank	16/100 purple band
Heavy Weight : Canvas, Duck, Sailcloth, Upholstery Fabric	Cotton-wrapped polyester core (all purpose) Long fiber, polyester (two spun)	2020 red shank	18/160
Leather		2032 leather	
Knits : Jersey, Tricot, Single Knit	Cotton-wrapped polyester core (all purpose) Long fiber, polyester (two spun)	2045 yellow shank	11/80 orange band
Sweatshirt : Double Knit Swimwear, Sweater Knit			14/90 blue band

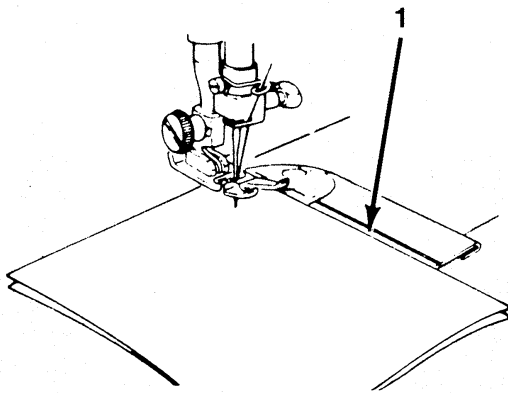
* Use with standard sewing thread in bobbin.

Sewing a Seam



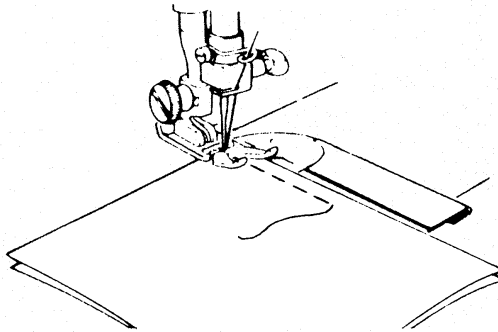
Most fabrics can be placed under the foot by raising the presser foot lifter (1) to its normal "up" position (2) where it locks in place. When using bulky fabric, multiple fabric layers, or an embroidery hoop, raise the lifter to the highrise position (3), thus increasing the space between the foot and the needle plate.

* Lower presser foot lifter all the way down and the machine is ready to sew.



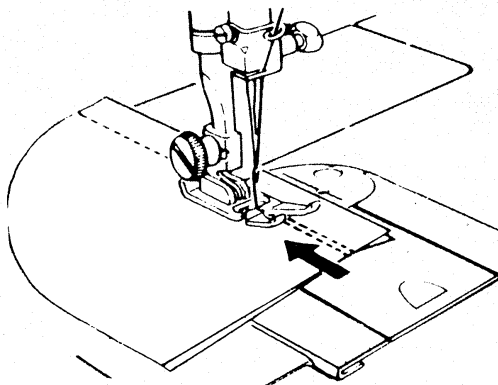
* To keep seams straight, use one of the guidelines on the needle plate.

* The most commonly used line (1) for a 5/8 inch (1.8 cm.) seam allowance is extended onto the slide plate.



* To start a seam, place fabric under presser foot so needle will first penetrate 1/2 inch (1.2 cm) from starting edge of fabric. Align the right edge with one of the guidelines on the throat plate. Lower the presser foot.

* Reverse-stitch using reverse button to the edge of fabric then release button for forward stitching.

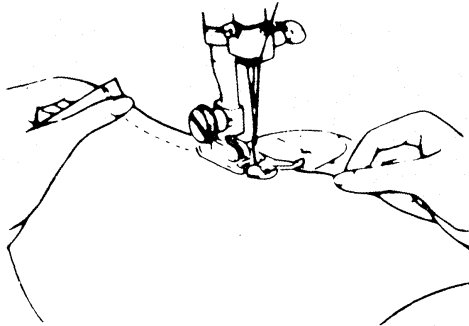
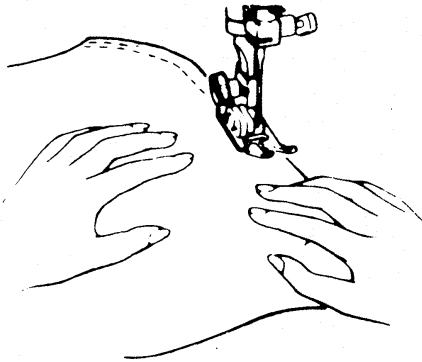


When seam is completed, hold in reverse button and stitch for 3-4 stitches to lock seam.

* Raise needle and presser foot to remove fabric from machine. Cut thread using thread cutter on face plate.

Guiding Fabric

Most fabrics need only to be guided in front of the presser foot. Some fabrics, however, require support while being stitched.

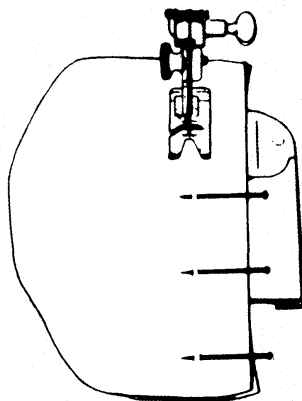


* For tricot and other similar synthetic knits, apply gentle tension by holding fabric tight in front and back of presser foot during sewing. **DO NOT** pull fabric or needle may break!

* For elasticized fabric, stretch lace, and knits with an unusual amount of elasticity, hold as with tricot but apply firm tension in front and back of presser foot to stretch the seam as the stitches are being sewn.

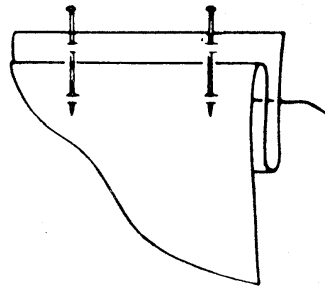
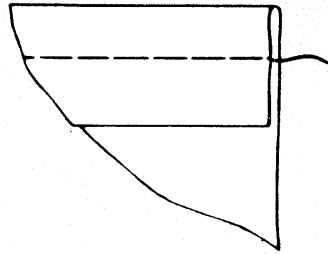
Basting

Pin basting and hand basting are easy ways to make temporary seams before machine sewing.



* To pin baste, insert pins at stitching line. **NEVER** place pins on the underside of fabric in contact with the feed. **DO NOT** sew over pins; remove them immediately before stitching.

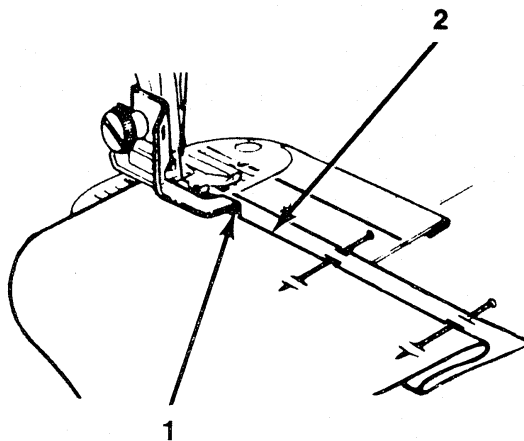
Blindstitching



Blindstitching provides a durable way to finish a hem. It takes practice, however, so a test sample is suggested.

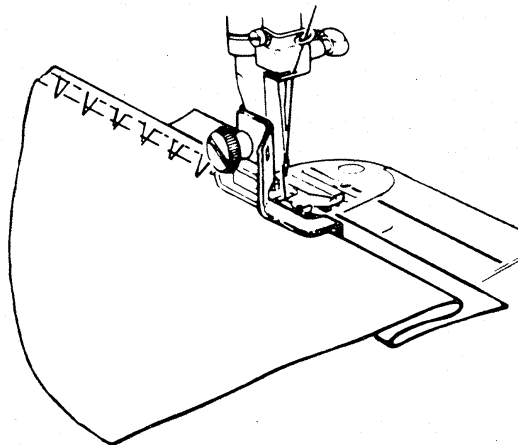
* Prepare the hem by folding and pressing as usual. If the hem is basted to hold it in place, as shown, be sure to place the basting at least 1/2 inch (1.2cm.) below the top edge of the hem allowance.

* With the wrong side of fabric up, turn the hem under, creating a soft fold from the top edge of hem. Pin or baste all three layers together.



* Attach blindstitch hem guide to machine as in Chapter 2.

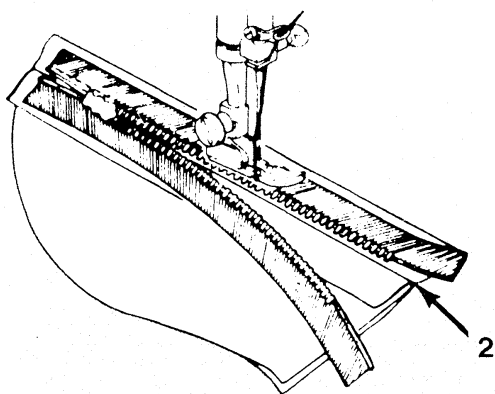
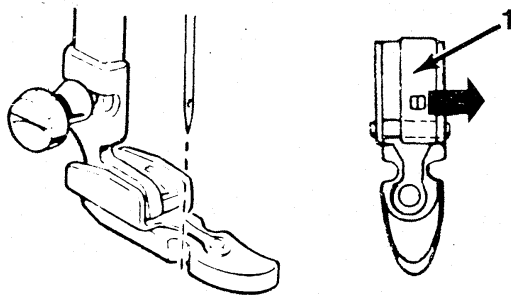
* Position the hem under the presser foot with the soft fold resting against the wall of the guide. Be sure the flange (1) of the guide is between the soft fold (2) and the top of the hem, as shown.



* Lower the presser foot and begin sewing, adjusting the stitch width to make sure the straight stitches fall on the edge of the hem and the zig-zag stitches just pierce the soft fold. Guide the hem edge in a straight line and feed the soft fold evenly against the wall of the guide.

* If pins were used, remove them immediately before stitching. DO NOT sew over pins!

Inserting a Zipper



To get stitching even and close to the zipper teeth, use the special zipper foot.

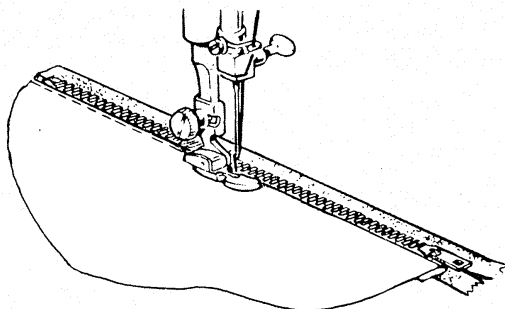
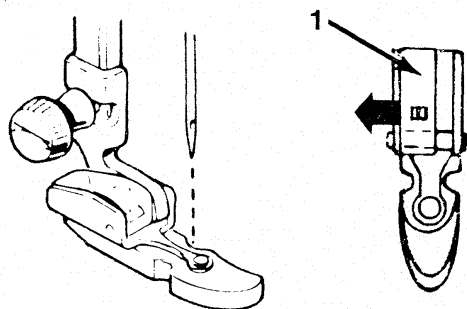
* When zipper teeth are to the left of the needle, slide the adjusting block (1), which slides on the pin of the foot, all the way to the right.

* Snap on foot with shank to the left side of pin. (See "Changing Snap-on Presser Feet")

* Hand-baste the zipper opening to the seam line (2), and press open the seam allowance.

* Place open zipper face down on the seam allowance with the teeth against the seam line.

* Stitch the zipper to the seam allowance from bottom to top on one side.



To stitch the other side of zipper (teeth to the right of needle):

* Snap off foot and slide the adjusting block (1) all the way to the left. Then, snap right side of pin onto shank as above.

* Sew other side of zipper to seam allowance.

* Baste through the zipper tapes, seam allowances, and garment exterior.

* Turn the garment right side up and topstitch it to the zipper, sewing through all layers.

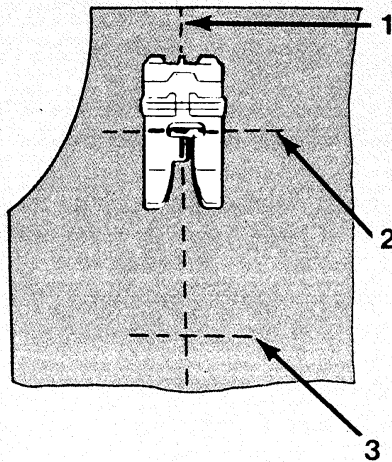
It is suggested more in-depth instructions be consulted since there are many ways to use zippers in garments.

Four-Step Buttonholes

This machine makes buttonholes of any length in only four, easy steps. Always make a test buttonhole on a sample of fabric first before buttonholing on the garment.

* Mark the centerline (1), top (2), and bottom (3) of button hole on fabric.

* Using buttonhole snap-on foot, line up red crossed lines of foot at intersection of centerline and top marks on fabric, then lower foot.

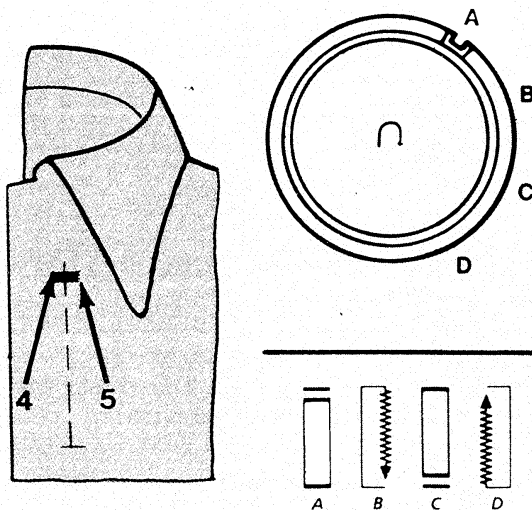


Step A: Rear Bartack

* Making sure needle is out of fabric, select buttonhole pattern with pattern selection lever. Then, turn stitch-length dial clockwise until line on dial lines up with the letter "A".

* Using handwheel, lower needle into fabric at (4).

* Sew bartack using four stitches ending at (5).

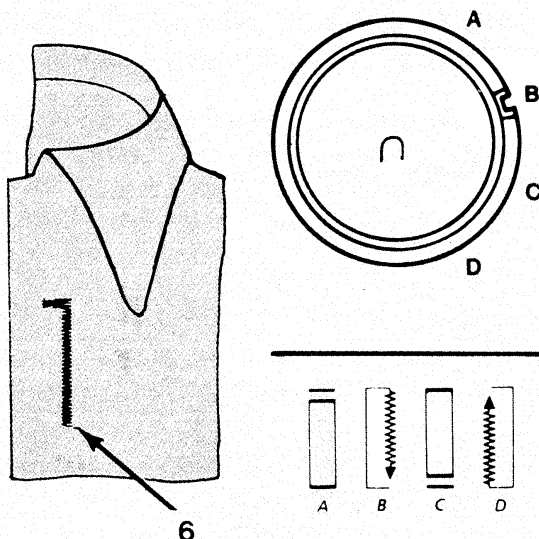


Step B: Right Side Stitching

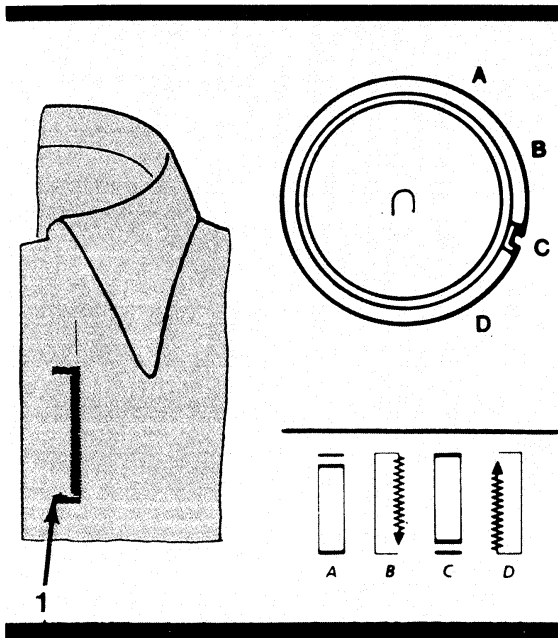
* Raise needle out of fabric.

* Turn stitch-length dial to "B"

* Sew right side of buttonhole up to bottom mark on fabric (6)

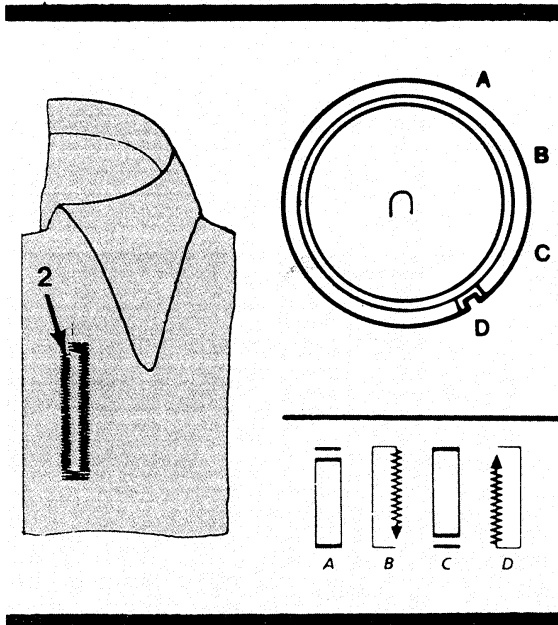


Four-Step Buttonholes (Cont'd.)



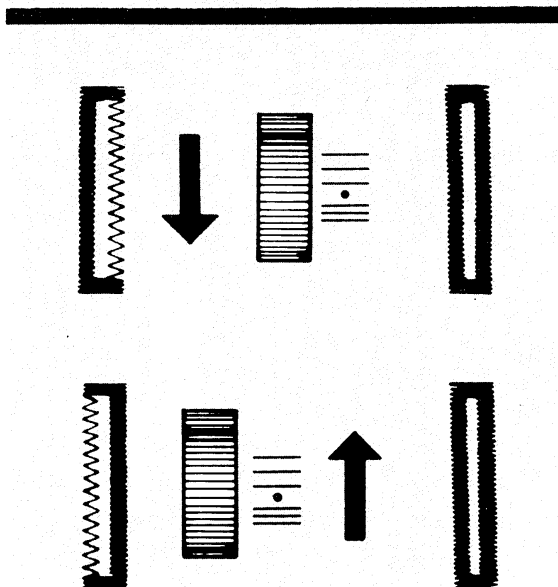
Step C: Front Bartack

- * Raise needle out of fabric.
- * Turn stitch-length dial to "C".
- * Sew four stitches ending at point (1).



Step D: Left Side Stitching

- * Raise needle out of fabric.
- * Turn stitch-length dial to "D".
- * Sew side stitching until it meets rear bartack at (2). The buttonhole is now complete.



Changing Stitch Density

To obtain a similar stitch density on both sides of the buttonhole, the balance control may need adjustment as follows:

- * With balance control centered, make a test buttonhole.
- * If stitches on right side are too far apart, move control downward.
- * If stitches on right side are too close, move control upward.

Re-center control after all buttonhole sewing is complete.

Twin Needle Sewing

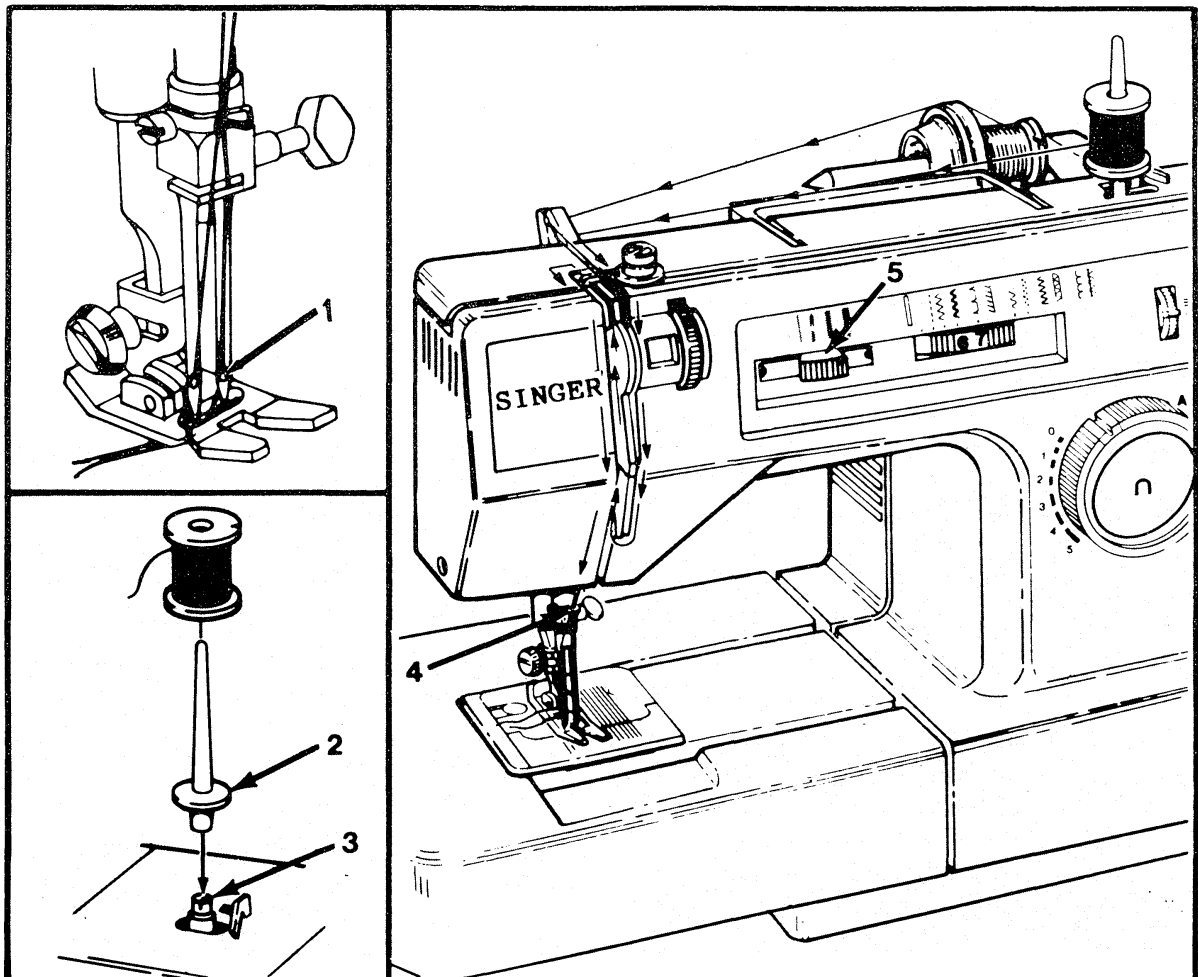
Twin needle sewing produces two parallel lines of closely-spaced, decorative stitching.

* With machine turned off, insert twin needle into needle clamp and thread machine as for single-needle sewing and through right needle eye (1).

* Attach extra spool pin with felt washer (2), to bobbin winder spindle (3); place second spool of thread on it; and, again, thread machine as usual except omit thread guide (4) immediately above needle. Pass second thread through eye of left hand needle.

* Set stitch width control to desired width between straight stitch and the twin needle mark (5).

CAUTION: DO NOT use a stitch width greater than that indicated by twin needle mark on stitch width control or needle breakage will result. Rotate handwheel slowly by hand to visually check for adequate needle clearance before pressing foot controller.



Your Personal Measurements

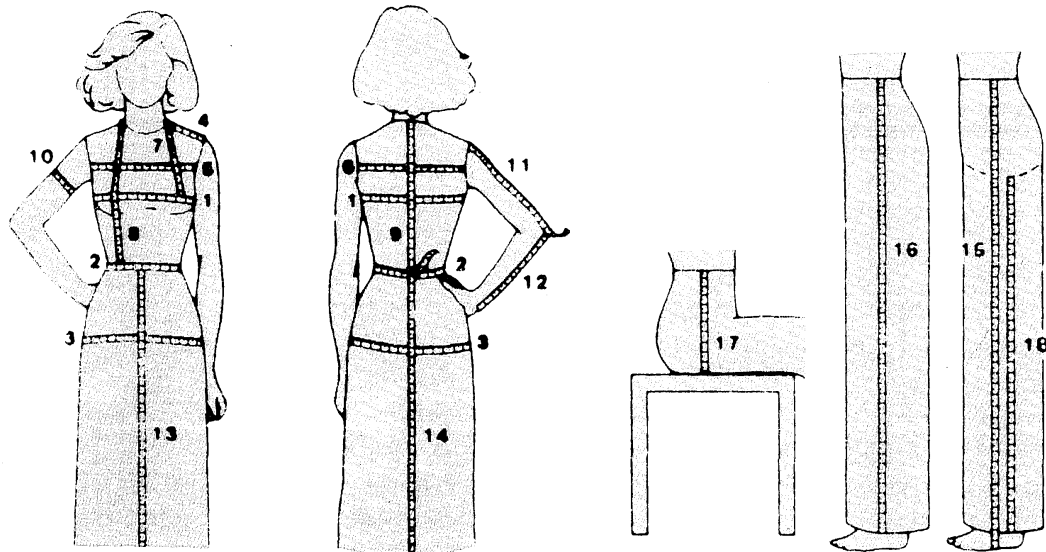
This chart is useful for keeping a record of personal measurements. The assistance of a second person is helpful in taking the measurements with an accurate tape measure. The illustrations show where a tape measure should be placed when taking each measurement.

As a reference point, use a ribbon firmly but comfortably tied at the waist before taking measurements.

	inches	(cm)
1. Bust —Fullest part—slightly higher in back
2. Waist —Around natural waistline
3. Hip —Inches (cm) below natural waistline (fullest part)
4. Shoulder —From base of neck to top of arm
5. Front Bodice Width —From arm hole to arm hole 5 inches (13cm) down from center shoulder
6. Back Bodice Width —From arm hole to arm hole 4 inches (10cm) down from center shoulder
7. Shoulder to Bust —From neck base at shoulder to point of bust
8. Front Waist Length —From neck base at shoulder over fullest part of bust to waistline
9. Back Waist Length —From the prominent bone at base of neck to natural waistline
10. Sleeve Width —Around arm at upper edge of underarm seam
11. Sleeve Length —Shoulder to elbow
12. Sleeve Length —Elbow to wrist
13. Front Skirt Length —Down center waistline to hem
14. Back Skirt Length —Down center from waistline to hem

PANTS MEASUREMENT CHART

15. Full Length —Waist to floor at side seam
16. Pant Length —Waist to ankle
17. Crotch Depth (seated) —Waist to chair at side seam
18. Crotch Seam (standing) —Crotch depth 17 to be deducted from pant length 16



Performance Checklist

When sewing difficulties occur, make sure the instructions are correctly followed. If a problem still exists, the reminders below may help solve it.

Needle Does Not Move

- Is machine connected to electrical supply?
- Is power and light switch on?
- Is controller connected?
- Is bobbin winder disengaged?

Needle Moves But Stitch Is Not Formed

- Is needle defective?
- Is needle fully inserted into needle clamp?
- Are bobbin and needle correctly threaded?
- Is bobbin correctly inserted into bobbin case?

Needle Breaks

- Is needle correct size?
- Is needle fully inserted in needle clamp?
- Are controls properly set?
- Are accessories correct for application?

Bobbin Winding Difficulties

- Is threading correct?
- Is thread unwinding freely from spool?
- Is bobbin winder engaged?
- Is thread end securely held at start of wind?

Upper Thread Breaks

- Is machine properly threaded?
- Is thread freely unwinding from spool?
- Is proper size spool holder being used?
- Is upper thread tension too tight?
- Is bobbin case properly inserted?
- Is bobbin rim free of nicks?

Lower Thread Breaks

- Is bobbin correctly wound?
- Is bobbin case correctly inserted into bobbin case?
- Is bobbin case threaded correctly?

Skipped Stitches

- Is machine properly threaded?
- Is fabric firmly held down?
- Is needle correct size and style?
- Is needle straight and sharp?

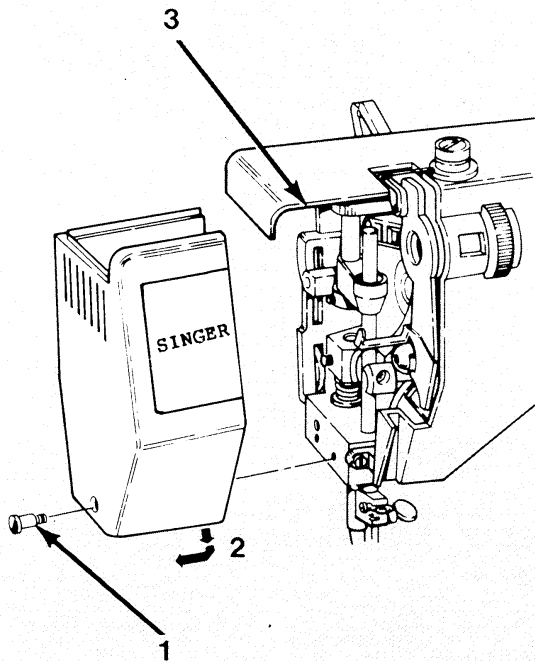
Fabric Does Not Move Properly Under Presser Foot

- Is presser foot correctly attached to machine?
- Is presser foot lowered?
- Is stitch length correctly set?

5. CLEANING AND CARING FOR THE MACHINE

To ensure reliability, regularly clean and lubricate machine. Periodic check-ups by a Sears service center are recommended depending upon frequency of use.

Removing Face Plate

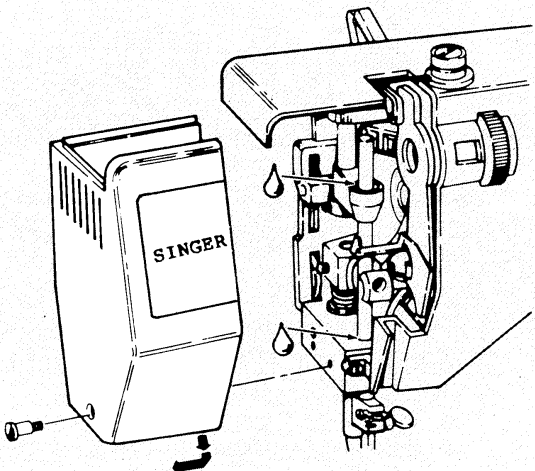


CAUTION: Before attempting any procedures in this chapter, disconnect powerline plug from electrical outlet!

Only remove the face plate of the machine for cleaning, lubricating, and light bulb replacement. Keep securely fastened at all other times.

- * Loosen and remove screw (1).
- * Remove face plate by drawing it slightly towards the operator and then to the left (2) and down.
- * Replace face plate by sliding it to the right under top edge of arm top cover (3) and push up.
- * When snugly seated, replace and tighten screw (1).

Cleaning the Machine

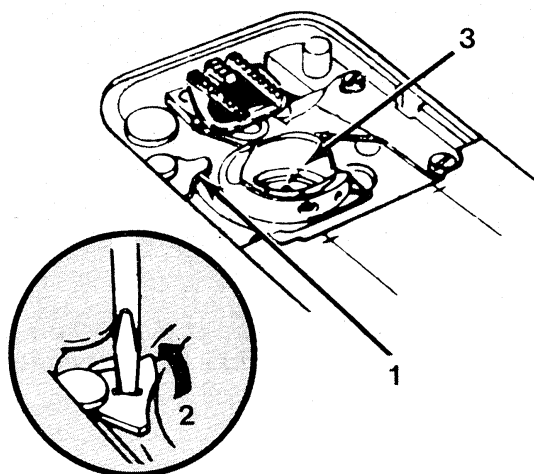


* For normal external cleaning, use a soft dry cloth. Stubborn stains may be removed with a mild soap and water solution.

* Using a soft brush, remove all lint from exposed mechanical parts under face plate as well as thread path and needle, feed, and bobbin areas.

* Periodically, apply a drop of oil to areas shown. DO NOT over oil!

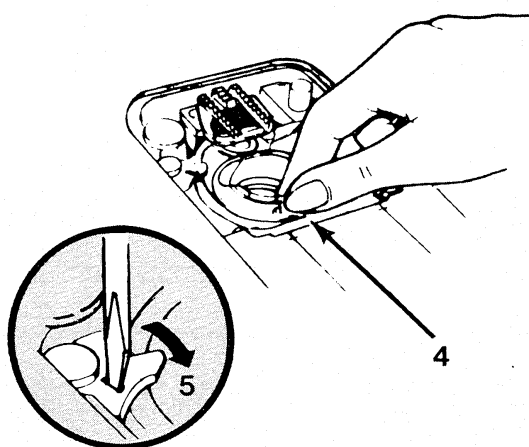
Removing Bobbin Case



- * Remove needle and needle plate.
- * Open slide plate and lift out bobbin.
- * Using small screwdriver, turn bobbin case retainer (1) in direction of arrow (2) as far as it will go.
- * Lift out bobbin case (3).

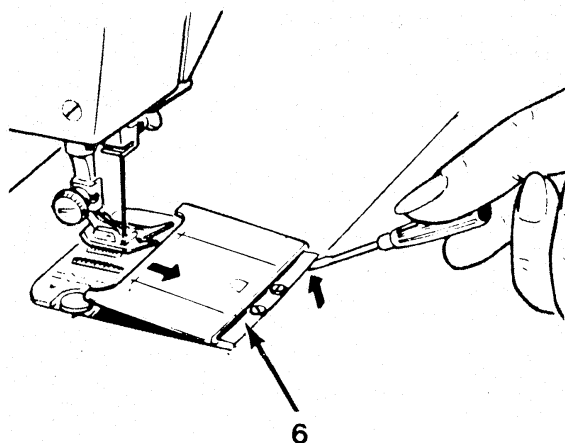
Using soft brush, brush lint from case and other mechanical parts in the bobbin area.

Replacing Bobbin Case



- * Insert case with a back and forth motion so front of case lies under position plate (4).
- * With small screwdriver, turn bobbin case retainer in direction of arrow (5) to lock case in place.
- * Reinsert needle, needle plate, and bobbin and close slide plate.

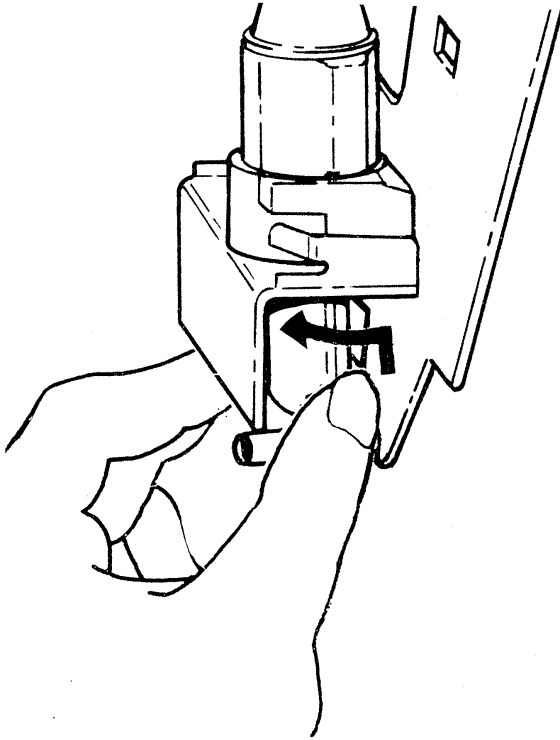
Replacing Slide Plate



Should slide plate become detached, replace as follows:

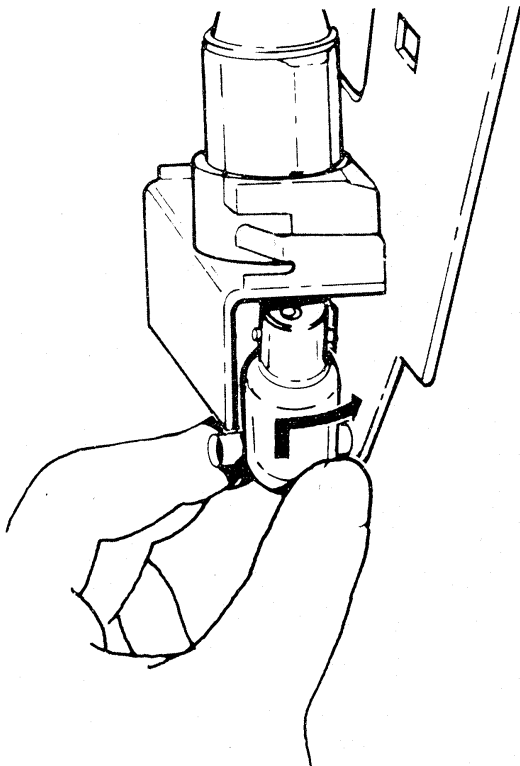
- * Place slide plate in slide way with the front edge close to, but not covering, the retaining spring (6).
- * With a screwdriver, lift each end of spring into the side grooves on the underside of the plate.
- * Draw plate gently towards you to engage spring. Then, close plate.

Removing Light Bulb



- * Remove face plate.
- * DO NOT attempt to unscrew bulb.
- * Press bulb into socket and turn in a counter-clockwise direction to unlock pins.
- * Guide bulb out of socket.





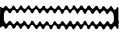





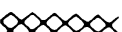




Replacing Light Bulb



This machine is designed to use a 15 watt maximum, bayonet-base bulb. (#20-6797)

- * Line up pins on bulb with slots in socket and press upwards on bulb.
- * Turn bulb in a clockwise direction to lock in place.
- * Replace face plate.

Quick Reference Setting Guide

STITCH	PATTERN GROUP	THREAD TENSION	STITCH WIDTH	STITCH LENGTH	PRESSER FOOT
Straight Stitch (Lightweight Fabrics) 	1. 2. 3. 4. 5	3 to 4	Straight	2 to 4	General Purpose
Straight Stitch (Heavyweight Fabrics) 	1. 2. 3. 4. 5	4 to 5	Straight	3 to 5	General Purpose
Zig-Zag Stitch 	1. 2. 3. 4. 5	3 to 5	Med to Max	2 to 5	General Purpose
Satin Stitch 	1. 2. 3. 4. 5	1 to 3	Med to Max	0.5 to 1	Special Purpose
Buttonhole 	1. 2. 3. 4. 5	2 to 4	—	—	Buttonhole
Straight Stretch 	1. 2. 3. 4. 5	3 to 5	Straight	Stretch	General Purpose
Ric-Rac 	1. 2. 3. 4. 5	2 to 4	Max	Stretch	Special Purpose
Blind Hem 	6. 7	3 to 5	Med to Max	1 to 3	General Purpose
Slant Overedge 	6. 7	3 to 5	Max	Stretch	Special Purpose
Multi-Stitch Zig-Zag 	8. 9	3 to 5	Max	0.5 to 1	General Purpose
Honeycomb 	8. 9	2 to 4	Max	Stretch	Special Purpose
Rampart 	10. 11	3 to 5	Max	1 to 3	Special Purpose
Turkish Hem 	10. 11	3 to 5	Max	Stretch	Special Purpose
“M” Stitch 	12. 13	3 to 5	Max	2 to 4	General Purpose
Stretch Overedge 	12. 13	3 to 5	Max	Stretch	Special Purpose

The above settings are listed as a useful guide for the best sewing performance. It is recommended you perform sewing tests to determine the optimum settings for your sewing machine with selected fabrics and for specific sewing applications.

WARRANTY

FULL 25-YEAR WARRANTY ON SEWING MACHINE HEAD

For 25 years from the date of purchase. Sears will, free of charge, repair defects in material or workmanship which appear in the mechanical components of the sewing machine head.

FULL TWO YEAR WARRANTY ON ELECTRICAL EQUIPMENT OF SEWING MACHINE

For two years from the date of purchase, Sears will, free of charge, repair defects in material or workmanship which appear in the electrical equipment of the sewing machine, including electronic components, motor, wiring, switch and speed control.

FULL 90-DAY WARRANTY ON ALL PARTS AND MECHANICAL ADJUSTMENTS

For 90 days from date of purchase, Sears will, free of charge, replace any parts and provide mechanical service necessary for proper operation of the sewing machine, except for normal maintenance.

WARRANTY SERVICE IS AVAILABLE BY RETURNING THE SEWING MACHINE TO THE NEAREST SEARS SERVICE CENTER/DEPARTMENT IN THE UNITED STATES.

This warranty gives you specific legal rights, and you may also have other rights which vary from state to state.

SEARS, ROEBUCK AND CO., Dept. 698/731A, Sears Tower, Chicago. IL 60684

SEWING MACHINE

Now that you have purchased your Singer Sewing Machine, should a need ever exist for repair parts or service, simply contact any Sears Service Center and most Sears, Roebuck and Co. Stores. Be sure to provide all pertinent facts when you call or visit.

The model number of your Sewing Machine will be shown on your nomenclature label on the side of your Sewing Machine. See page 6 for location.

WHEN ORDERING REPAIR PARTS, ALWAYS GIVE THE FOLLOWING INFORMATION:

***MODEL NUMBER *NAME OF ITEM *PART DESCRIPTION**

If the parts you need are not stocked locally, your order will be electronically transmitted to a Sears Repair Parts Distribution Center for handling.

SEARS, ROEBUCK AND CO., Chicago, IL 60684 U.S.A.